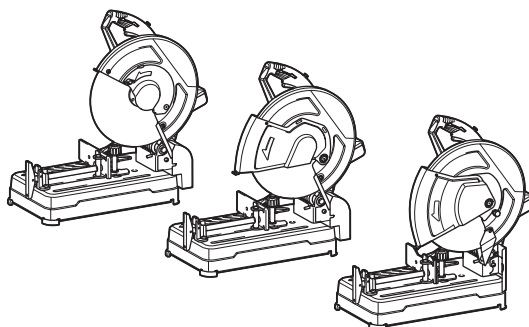




EN	Cordless Portable Cut-off	INSTRUCTION MANUAL	6
FR	Scie à Coupe d'Onglet à Métaux Sans Fil	MANUEL D'INSTRUCTIONS	13
DE	Akku-Trennschleifmaschine	BETRIEBSANLEITUNG	21
IT	Troncatrice portatile a batteria	ISTRUZIONI PER L'USO	29
NL	Draagbare accudoorslijpmachine	GEBRUIKSAANWIJZING	37
ES	Tronzadora Portátil Inalámbrica	MANUAL DE INSTRUCCIONES	45
PT	Serra Rápida Portátil a Bateria	MANUAL DE INSTRUÇÕES	53
DA	Akku bærbar afkorter	BRUGSANVISNING	61
EL	Φορητός κόφτης με μπαταρία	ΕΓΧΕΙΡΙΔΙΟ ΟΔΗΓΙΩΝ	68
TR	Akülü Portatif Kesici	KULLANMA KILAVUZU	77

DLW140



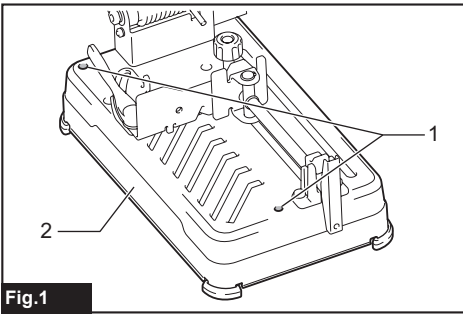


Fig.1

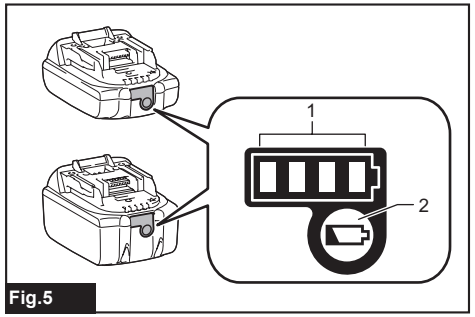


Fig.5

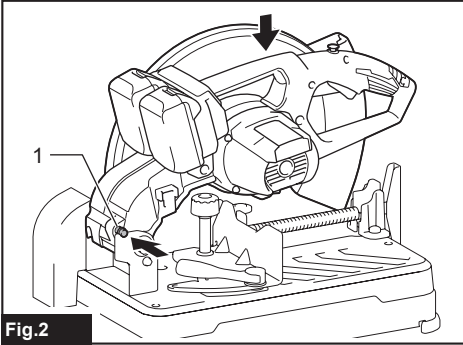


Fig.2

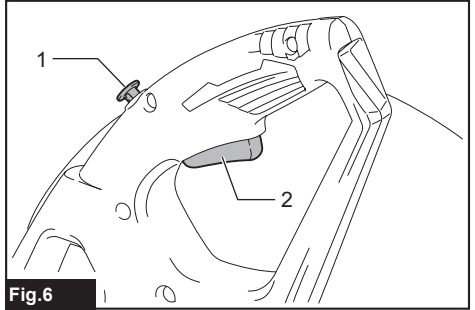


Fig.6

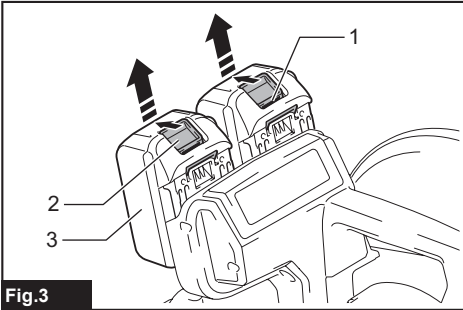


Fig.3

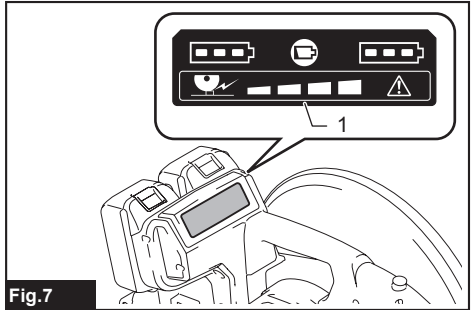


Fig.7

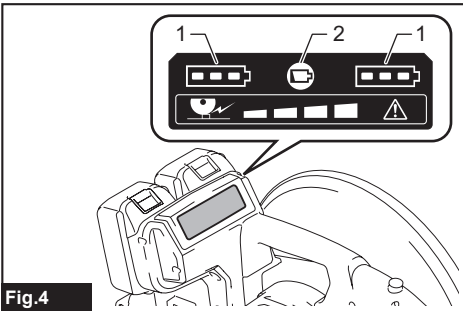


Fig.4

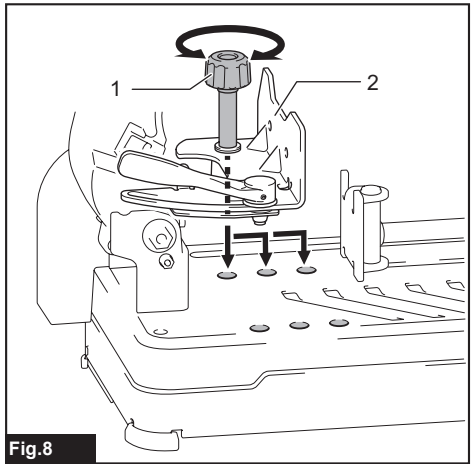
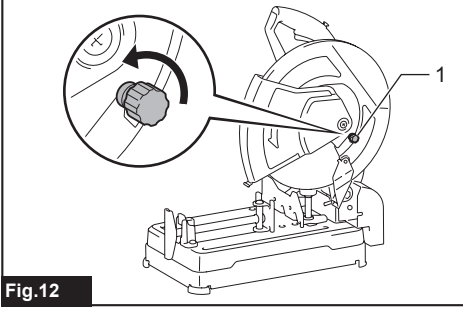
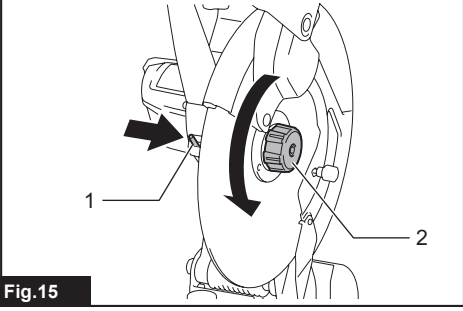
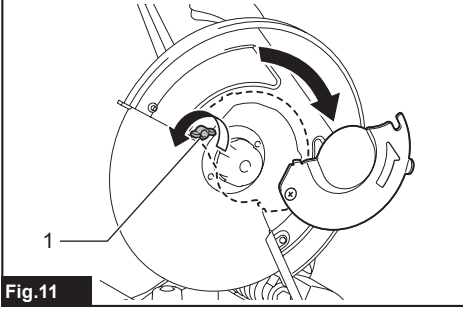
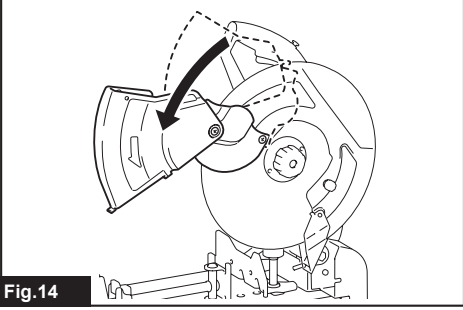
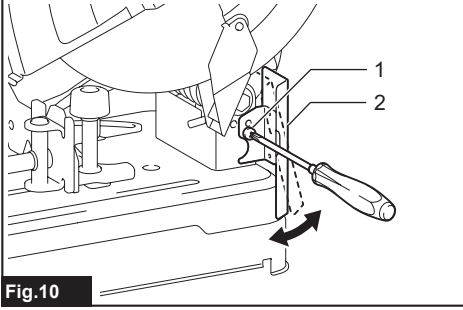
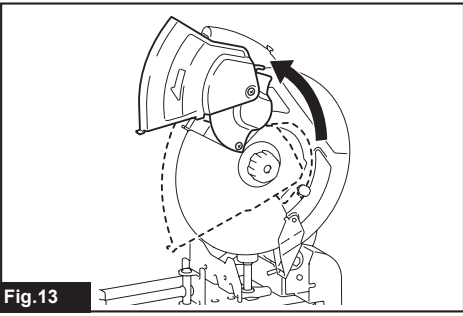
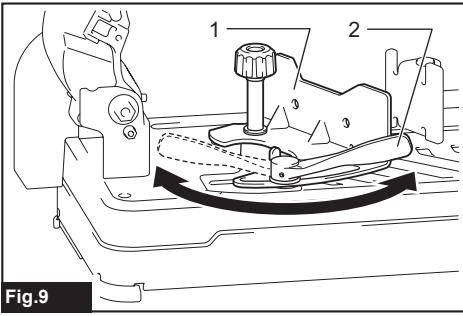


Fig.8



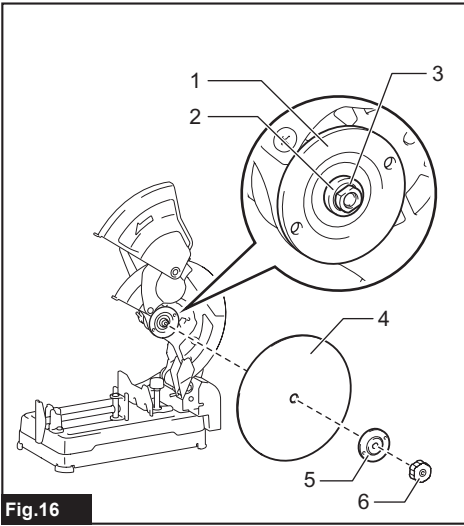


Fig. 16

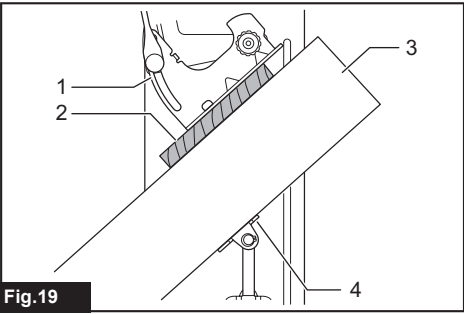


Fig. 19

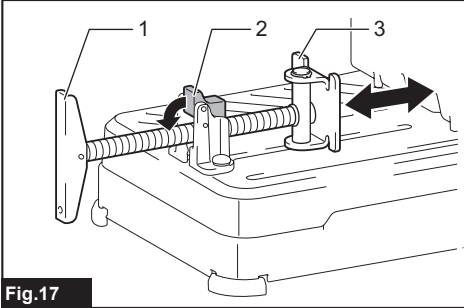


Fig. 17

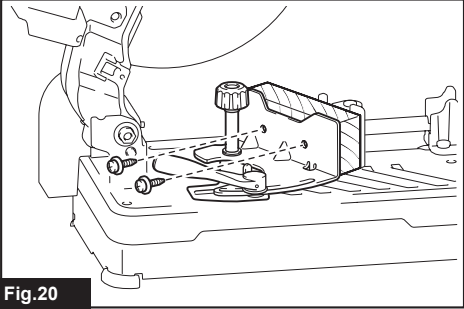


Fig. 20

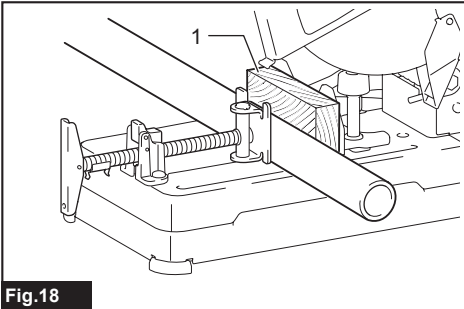


Fig. 18

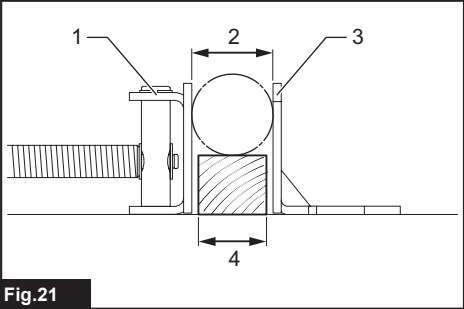


Fig. 21

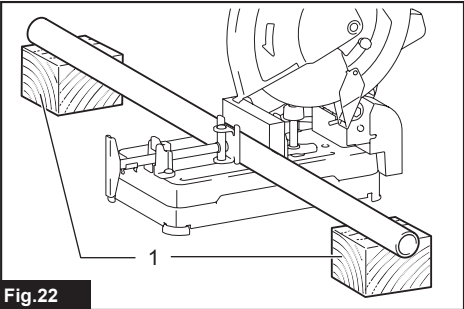


Fig. 22

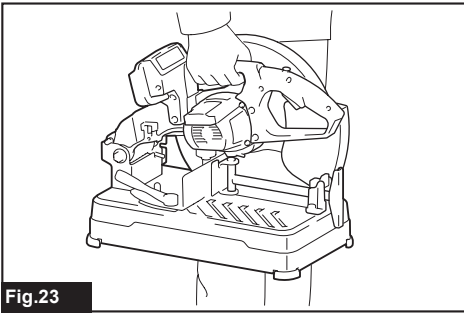


Fig.23

SPECIFICATIONS

Model:		DLW140
Wheel diameter		355 mm
Hole diameter		25.4 mm
Max. wheel thickness		3 mm
No load speed		3,800 min ⁻¹
Rated voltage		D.C. 36 V
Dimensions (L x W x H)	With European type safety guard	537 mm x 290 mm x 640 mm
	With safety guard other than European type	537 mm x 280 mm x 640 mm
	With center cap type safety guard	537 mm x 280 mm x 640 mm
Net weight	With European type safety guard	17.2 - 17.8 kg
	With safety guard other than European type	15.6 - 16.3 kg
	With center cap type safety guard	15.4 - 16.0 kg

- Due to our continuing program of research and development, the specifications herein are subject to change without notice.
- Specifications may differ from country to country.
- The weight may differ depending on the attachment(s), including the battery cartridge. The lightest and heaviest combination, according to EPTA-Procedure 01/2014, are shown in the table.
- The shape and weight vary depending on the specifications which differ country to country.

Applicable battery cartridge and charger

Battery cartridge	BL1815N / BL1820 / BL1820B / BL1830 / BL1830B / BL1840 / BL1840B / BL1850 / BL1850B / BL1860B
Charger	DC18RC / DC18RD / DC18RE / DC18SD / DC18SE / DC18SF

- Some of the battery cartridges and chargers listed above may not be available depending on your region of residence.

⚠ WARNING: Only use the battery cartridges and chargers listed above. Use of any other battery cartridges and chargers may cause injury and/or fire.

Intended use

The tool is intended for cutting in ferrous materials with appropriate abrasive cut-off wheel. Follow all laws and regulations regarding dust and work area health and safety in your country.

Noise

The typical A-weighted noise level determined according to EN62841-3-10:
 Sound pressure level (L_{pA}): 103 dB(A)
 Sound power level (L_{WA}): 115 dB (A)
 Uncertainty (K): 3 dB(A)

⚠ WARNING: Wear ear protection.

Vibration

The vibration total value (tri-axial vector sum) determined according to EN62841-3-10:
 Vibration emission (a_h): 2.5 m/s²
 Uncertainty (K): 1.5 m/s²

NOTE: The declared vibration emission value has been measured in accordance with the standard test method and may be used for comparing one tool with another.

NOTE: The declared vibration emission value may also be used in a preliminary assessment of exposure.

⚠ WARNING: The vibration emission during actual use of the power tool can differ from the declared emission value depending on the ways in which the tool is used.

⚠ WARNING: Be sure to identify safety measures to protect the operator that are based on an estimation of exposure in the actual conditions of use (taking account of all parts of the operating cycle such as the times when the tool is switched off and when it is running idle in addition to the trigger time).

EC Declaration of Conformity

For European countries only

The EC declaration of conformity is included as Annex A to this instruction manual.

SAFETY WARNINGS

General power tool safety warnings

▲WARNING: Read all safety warnings, instructions, illustrations and specifications provided with this power tool. Failure to follow all instructions listed below may result in electric shock, fire and/or serious injury.

Save all warnings and instructions for future reference.

The term "power tool" in the warnings refers to your mains-operated (corded) power tool or battery-operated (cordless) power tool.

Cut-off machine safety warnings

- 1. Position yourself and bystanders away from the plane of the rotating wheel.** The guard helps to protect the operator from broken wheel fragments and accidental contact with wheel.
- 2. Use only bonded reinforced cut-off wheels for your power tool.** Just because an accessory can be attached to your power tool, it does not assure safe operation.
- 3. The rated speed of the accessory must be at least equal to the maximum speed marked on the power tool.** Accessories running faster than their rated speed can break and fly apart.
- 4. Wheels must be used only for recommended applications.** For example: do not grind with the side of a cut-off wheel. Abrasive cut-off wheels are intended for peripheral grinding, side forces applied to these wheels may cause them to shatter.
- 5. Always use undamaged wheel flanges that are of correct diameter for your selected wheel.** Proper wheel flanges support the wheel thus reducing the possibility of wheel breakage.
- 6. The outside diameter and the thickness of your accessory must be within the capacity rating of your power tool.** Incorrectly sized accessories cannot be adequately guarded or controlled.
- 7. The arbour size of wheels and flanges must properly fit the spindle of the power tool.** Wheels and flanges with arbour holes that do not match the mounting hardware of the power tool will run out of balance, vibrate excessively and may cause loss of control.
- 8. Do not use damaged wheels.** Before each use, inspect the wheels for chips and cracks. If the power tool or wheel is dropped, inspect for damage or install an undamaged wheel. After inspecting and installing the wheel, position yourself and bystanders away from the plane of the rotating wheel and run the power tool at maximum no load speed for one minute. Damaged wheels will normally break apart during this test time.
- 9. Wear personal protective equipment.** Depending on application, use face shield, safety goggles or safety glasses. As appropriate, wear dust mask, hearing protectors, gloves and shop apron capable of stopping small abrasive or workpiece fragments. The eye protection must be capable of stopping flying debris generated by various operations. The dust mask or respirator must be capable of filtering particles generated by your operation. Prolonged exposure to high intensity noise may cause hearing loss.

- 10. Keep bystanders a safe distance away from work area. Anyone entering the work area must wear personal protective equipment.** Fragments of workpiece or of a broken wheel may fly away and cause injury beyond immediate area of operation.
- 11. Regularly clean the power tool's air vents.** The motor's fan can draw the dust inside the housing and excessive accumulation of powdered metal may cause electrical hazards.
- 12. Do not operate the power tool near flammable materials. Do not operate the power tool while placed on a combustible surface such as wood.** Sparks could ignite these materials.
- 13. Do not use accessories that require liquid coolants.** Using water or other liquid coolants may result in electrocution or shock.

Kickback and related warnings

Kickback is a sudden reaction to a pinched or snagged rotating wheel. Pinching or snagging causes rapid stalling of the rotating wheel which in turn causes the uncontrolled cutting unit to be forced upwards toward the operator. For example, if an abrasive wheel is snagged or pinched by the workpiece, the edge of the wheel that is entering into the pinch point can dig into the surface of the material causing the wheel to climb out or kick out. Abrasive wheels may also break under these conditions. Kickback is the result of power tool misuse and/or incorrect operating procedures or conditions and can be avoided by taking proper precautions as given below.

- 1. Maintain a firm grip on the power tool and position your body and arm to allow you to resist kickback forces.** The operator can control upward kickback forces, if proper precautions are taken.
- 2. Do not position your body in line with the rotating wheel.** If kickback occurs, it will propel the cutting unit upwards toward the operator.
- 3. Do not attach a saw chain, woodcarving blade, segmented diamond wheel with a peripheral gap greater than 10 mm or toothed saw blade.** Such blades create frequent kickback and loss of control.
- 4. Do not "jam" the wheel or apply excessive pressure. Do not attempt to make an excessive depth of cut.** Overstressing the wheel increases the loading and susceptibility to twisting or binding of the wheel in the cut and the possibility of kickback or wheel breakage.
- 5. When the wheel is binding or when interrupting a cut for any reason, switch off the power tool and hold the cutting unit motionless until the wheel comes to a complete stop. Never attempt to remove the wheel from the cut while the wheel is in motion otherwise kickback may occur.** Investigate and take corrective action to eliminate the cause of wheel binding.
- 6. Do not restart the cutting operation in the workpiece. Let the wheel reach full speed and carefully re-enter the cut.** The wheel may bind, walk up or kickback if the power tool is restarted in the workpiece.
- 7. Support any oversized workpiece to minimize the risk of wheel pinching and kickback.** Large workpieces tend to sag under their own weight. Supports must be placed under the workpiece near the line of cut and near the edge of the workpiece on both sides of the wheel.

Additional safety warnings

1. **Watch out for flying sparks when operating.** They can cause injury or ignite combustible materials.
2. **Secure work. Use clamps or a vise to hold work when practical.** It's safer than using your hand and it frees both hands to operate tool.
3. **Secure the cut-off wheel carefully.**
4. **Be careful not to damage the spindle, flanges (especially the installing surface) or bolt, or the cut-off wheel itself might break.**
5. **Keep guards in place and in working order.**
6. **Hold the handle firmly.**
7. **Keep hands away from rotating parts.**
8. **Make sure the cut-off wheel is not contacting the work-piece before the switch is turned on.**
9. **Before each use, watch for flutter or excessive vibration that might be caused by poor installation or a poorly balanced wheel.**
10. **Remove material or debris from the area that might be ignited by sparks. Be sure that others are not in the path of the sparks. Keep a proper, charged fire extinguisher closely available.**
11. **If the cut-off wheel stops during the operation, makes an odd noise or begins to vibrate, switch off the tool immediately.**
12. **Always switch off and wait for the cut-off wheel to come to a complete stop before removing, securing workpiece, working vise, changing work position, angle or the cut-off wheel itself.**
13. **Do not touch the workpiece immediately after operation; it is extremely hot and could burn your skin.**
14. **Store wheels in a dry location only.**

SAVE THESE INSTRUCTIONS.

Important safety instructions for battery cartridge

1. **Before using battery cartridge, read all instructions and cautionary markings on (1) battery charger, (2) battery, and (3) product using battery.**
2. **Do not disassemble battery cartridge.**
3. **If operating time has become excessively shorter, stop operating immediately. It may result in a risk of overheating, possible burns and even an explosion.**
4. **If electrolyte gets into your eyes, rinse them out with clear water and seek medical attention right away. It may result in loss of your eyesight.**
5. **Do not short the battery cartridge:**
 - (1) **Do not touch the terminals with any conductive material.**
 - (2) **Avoid storing battery cartridge in a container with other metal objects such as nails, coins, etc.**
 - (3) **Do not expose battery cartridge to water or rain.**

A battery short can cause a large current flow, overheating, possible burns and even a breakdown.

6. **Do not store the tool and battery cartridge in locations where the temperature may reach or exceed 50 °C (122 °F).**
7. **Do not incinerate the battery cartridge even if it is severely damaged or is completely worn out. The battery cartridge can explode in a fire.**
8. **Be careful not to drop or strike battery.**
9. **Do not use a damaged battery.**
10. **The contained lithium-ion batteries are subject to the Dangerous Goods Legislation requirements.**

For commercial transports e.g. by third parties, forwarding agents, special requirement on packaging and labeling must be observed. For preparation of the item being shipped, consulting an expert for hazardous material is required. Please also observe possibly more detailed national regulations.

Tape or mask off open contacts and pack up the battery in such a manner that it cannot move around in the packaging.
11. **Follow your local regulations relating to disposal of battery.**
12. **Use the batteries only with the products specified by Makita.** Installing the batteries to non-compliant products may result in a fire, excessive heat, explosion, or leak of electrolyte.

SAVE THESE INSTRUCTIONS.

⚠ CAUTION: Only use genuine Makita batteries. Use of non-genuine Makita batteries, or batteries that have been altered, may result in the battery bursting causing fires, personal injury and damage. It will also void the Makita warranty for the Makita tool and charger.

Tips for maintaining maximum battery life

1. **Charge the battery cartridge before completely discharged. Always stop tool operation and charge the battery cartridge when you notice less tool power.**
2. **Never recharge a fully charged battery cartridge. Overcharging shortens the battery service life.**
3. **Charge the battery cartridge with room temperature at 10 °C - 40 °C (50 °F - 104 °F). Let a hot battery cartridge cool down before charging it.**
4. **Charge the battery cartridge if you do not use it for a long period (more than six months).**

INSTALLATION

⚠ WARNING: This tool produces spark when cutting a workpiece. Do not install this tool in the place in which flammable and/or explosive materials might be ignited by the spark from the tool. Also make sure that there is no such material near the tool before starting the operation.

Securing the base

This tool should be bolted with two bolts to a level and stable surface using the bolt holes provided in the tool's base. This will help prevent tipping over and possible personal injury.

► **Fig.1:** 1. Bolt holes 2. Base

FUNCTIONAL DESCRIPTION

⚠ WARNING: Always be sure that the tool is switched off and the battery cartridge is removed before adjusting or checking the functions on the tool. Failure to switch off and remove the battery cartridge may result in serious personal injury from accidental start-up.

Unlocking/locking tool head

The tool head can be locked. Always lock the tool head when not in use or carrying.

To unlock, depress the tool head slightly and push the lock pin. To lock, return the lock pin while holding down the tool head.

► **Fig.2:** 1. Lock pin

Installing or removing battery cartridge

⚠ CAUTION: Always switch off the tool before installing or removing of the battery cartridge.

⚠ CAUTION: Hold the tool and the battery cartridge firmly when installing or removing battery cartridge. Failure to hold the tool and the battery cartridge firmly may cause them to slip off your hands and result in damage to the tool and battery cartridge and a personal injury.

► **Fig.3:** 1. Red indicator 2. Button 3. Battery cartridge

To remove the battery cartridge, slide it from the tool while sliding the button on the front of the cartridge.

To install the battery cartridge, align the tongue on the battery cartridge with the groove in the housing and slip it into place. Insert it all the way until it locks in place with a little click. If you can see the red indicator on the upper side of the button, it is not locked completely.

⚠ CAUTION: Always install the battery cartridge fully until the red indicator cannot be seen. If not, it may accidentally fall out of the tool, causing injury to you or someone around you.

⚠ CAUTION: Do not install the battery cartridge forcibly. If the cartridge does not slide in easily, it is not being inserted correctly.

NOTE: The tool does not work with only one battery cartridge.

Tool / battery protection system

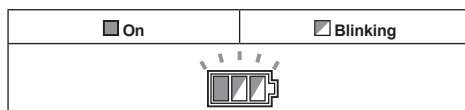
The tool is equipped with a tool/battery protection system. This system automatically cuts off power to the motor to extend tool and battery life. The tool will automatically stop during operation if the tool or battery is placed under one of the following conditions.

Overload protection

When the tool is operated in a manner that causes it to draw an abnormally high current, the tool automatically stops. In this situation, turn the tool off and stop the application that caused the tool to become overloaded. Then turn the tool on to restart.

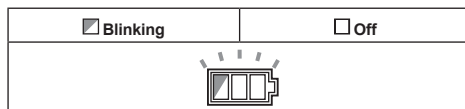
Overheat protection

When the tool is overheated, the tool stops automatically, and the battery indicator blink about 60 seconds. In this situation, let the tool cool down before turning the tool on again.



Overdischarge protection





When the battery capacity becomes low, the tool stops automatically and the battery indicator of the depleted battery cartridge will blink. If the product does not operate even when the switches are operated, remove the depleted battery cartridge from the tool and charge it.



Indicating the remaining battery capacity

► **Fig.4:** 1. Battery indicator 2. Check button

Press the check button to indicate the remaining battery capacities. The battery indicators correspond to each battery.

Battery indicator status			Remaining battery capacity
<input checked="" type="checkbox"/> On	<input type="checkbox"/> Off	<input checked="" type="checkbox"/> Blinking	
			50% to 100%
			20% to 50%
			0% to 20%
			Charge the battery

Indicating the remaining battery capacity

Only for battery cartridges with the indicator

► Fig.5: 1. Indicator lamps 2. Check button

Press the check button on the battery cartridge to indicate the remaining battery capacity. The indicator lamps light up for a few seconds.

Indicator lamps			Remaining capacity
Lighted	Off	Blinking	
■	□	▧	75% to 100%
■ ■ ■ ■			
■ ■ ■	□		50% to 75%
■ ■	□ □		25% to 50%
■	□ □ □		0% to 25%
▧	□ □ □ □		Charge the battery.
■ ■ □ □	□ □	■ ■	The battery may have malfunctioned.
	↑ ↓		

NOTE: Depending on the conditions of use and the ambient temperature, the indication may differ slightly from the actual capacity.

Switch action

WARNING: Before installing the battery cartridge into the tool, always check to see that the switch trigger actuates properly and returns to the "OFF" position when released.

► Fig.6: 1. Lock-off button 2. Switch trigger

To prevent the switch trigger from being accidentally pulled, a lock-off button is provided. To start the tool, press the lock-off button and pull the switch trigger. Release the switch trigger to stop.

WARNING: NEVER defeat the lock-off button by taping down or some other means. A switch with a negated lock-off button may result in unintentional operation and serious personal injury.

WARNING: NEVER use the tool if it runs when you simply pull the switch trigger without pressing the lock-off button. A switch in need of repair may result in unintentional operation and serious personal injury. Return tool to a Makita service center for proper repairs BEFORE further usage.

NOTICE: Do not pull the switch trigger hard without pressing in the lock-off button. This can cause switch breakage.

Load status indicator

The load status indicator shows the level of the load on the motor during cutting operation. As the load on the motor increases, the number of lighting lamp increases.

► Fig.7: 1. Load status indicator

Overload alert

If the motor is operated with excessive load, all lamps of the load status indicator will blink. In this case, reduce the load on the motor. If you continue to load the motor while the load status indicator is blinking, the tool will automatically stop in few seconds due to overload protection.

NOTE: If an excessive load is generated at once, the tool automatically stops without blinking of the load status indicator.

Interval between vise and guide plate

CAUTION: After adjusting the interval between the vise and the guide plate, make sure that the guide plate is properly secured. Insufficient fixing may result in personal injury.

The following interval settings of the vise are available:

- 0 - 170 mm (original setting)
- 35 - 205 mm
- 70 - 240 mm

If your work requires different setting, proceed as follows to change the spacing or interval.

Loosen the screw on the guide plate. Move the guide plate to the desired position then tighten the screw.

► Fig.8: 1. Screw 2. Guide plate

Cutting angle adjustment

CAUTION: After adjusting the angle of the guide plate, make sure that the guide plate is properly secured. Insufficient fixing may result in personal injury.

CAUTION: Do not operate the tool when the material is not firmly secured with the vise because of the cutting angle.

Turn the lever counterclockwise. Move the guide plate to the desired angle and fully tighten the lever.

► Fig.9: 1. Guide plate 2. Lever

NOTE: The scale on the guide plate is only a rough indication. For more accurate angle, use a protractor or triangle ruler. Keep the handle down so that the cut-off wheel extends into the base. At the same time, adjust the angle between the guide plate and the cut-off wheel with a protractor or triangle ruler.

Spark guard adjustment

Country specific

The spark guard is factory-installed with its lower edge contacting the base. Operating the tool in this position will cause many sparks to fly around. Loosen the screw and adjust the spark guard to a position at which minimum sparks will fly around.

► Fig.10: 1. Screw 2. Spark guard

Electronic function

The tools equipped with electronic function are easy to operate because of the following feature(s).

Soft start feature

Soft start because of suppressed starting shock.

ASSEMBLY

⚠ WARNING: Always be sure that the tool is switched off and the battery cartridge is removed before working on the tool. Failure to switch off and remove the battery cartridge may result in serious personal injury.

Opening center cap type safety guard

Country specific

For the tools equipped with center cap type safety guard, loosen the clamping screw first then raise the guard.

► Fig.11: 1. Clamping screw

Opening European type safety guard

Country specific

For the tools equipped with European type safety guard, loosen the clamping screw first then open the guard as shown.

► Fig.12: 1. Clamping screw

► Fig.13

► Fig.14

Removing or installing cut-off wheel

⚠ CAUTION: Be sure to tighten the toolless clamp securely. Insufficient tightening may result in severe injury.

⚠ CAUTION: Always use only the proper inner and outer flanges which are provided with the tool.

⚠ CAUTION: Always lower the safety guard after replacing the cut-off wheel.

⚠ CAUTION: Wear gloves when handling wheels.

Raise the safety guard. Turn the toolless clamp counterclockwise while holding down the shaft lock. Then remove the toolless clamp, outer flange and cut-off wheel. When removing the cut-off wheel, do not remove the inner flange as well as the ring and O-ring.

► Fig.15: 1. Shaft lock 2. Toolless clamp

► Fig.16: 1. Inner flange 2. Ring 3. O-ring 4. Cut-off wheel 5. Outer flange 6. Toolless clamp

To install the cut-off wheel, follow the removal procedures in reverse. Make sure to fit the hole of cut-off wheel to the ring and return the safety guard.

OPERATION

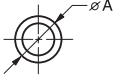
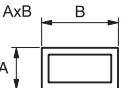
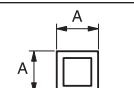

⚠ CAUTION: Proper handle pressure during cutting and maximum cutting efficiency can be determined by the amount of sparks that is produced while cutting. Do not force the cut by applying excessive pressure on the handle. Reduced cutting efficiency, premature wheel wear, as well as, possible damage to the tool, cut-off wheel or workpiece may result.

Hold the handle firmly. Switch on the tool and wait until the cut-off wheel attains full speed before lowering gently into the cut. When the cut-off wheel contacts the workpiece, gradually bear down on the handle to perform the cut. When the cut is completed, switch off the tool and wait until the cut-off wheel has come to a complete stop before returning the handle to the fully elevated position.

Cutting capacity

Maximum cutting capacity varies depending on the cutting angle and workpiece shape.

Max. cutting capacity with a brand-new cut-off wheel

Cutting angle / Workpiece shape	90°	45°
	∅ 127 mm	∅ 127 mm
	115 x 130 mm 102 x 194 mm 70 x 233 mm	115 x 103 mm
	119 x 119 mm	106 x 106 mm
	137 x 137 mm	100 x 100 mm

NOTE: A workpiece thinner than 1.6 mm is recommended for cutting with this tool.

Securing workpiece

⚠ CAUTION: Always place the thread holder on the shaft threads when securing the workpiece. Failure to do so may result in insufficient securing of the workpiece. This could cause the workpiece to be ejected or cause a dangerous breakage of the cut-off wheel.

While the thread holder is lifted, the vise plate can be moved in and out quickly. To grip a workpiece, push the handle until the vise plate contacts the workpiece then return the thread holder. Turn the handle clockwise until the workpiece is securely retained.

► Fig.17: 1. Handle 2. Thread holder 3. Vise plate

When the cut-off wheel has worn down considerably, place a spacer block behind the workpiece as shown in the figure. You can more efficiently utilize the worn wheel by using the mid point on the periphery of the wheel to cut the workpiece. Use a sturdy and non-flammable material for a spacer block.

► **Fig.18:** 1. Spacer block

When cutting workpieces over 85 mm wide at an angle, attach a straight piece of wood (spacer) over 190 mm long x 40 mm wide to the guide plate as shown in the figure. Attach this spacer with screws through the holes in the guide plate. Make sure that the cut-off wheel does not contact the spacer when the tool head is depressed.

► **Fig.19:** 1. Guide plate 2. Spacer block (over 190 mm long x40 mm wide) 3. Workpiece (over 85 mm wide) 4. Vise plate

NOTICE: When using a spacer block, install the guide plate to the position nearest to the neck of the tool head.

► **Fig.20**

When the cut-off wheel has worn down, raise the cutting position by putting a spacer block which is slightly narrower than the workpiece as shown in the figure. This will help you to utilize the cut-off wheel economically.

► **Fig.21:** 1. Vise plate 2. Workpiece diameter 3. Guide plate 4. Spacer block width

Long workpieces must be supported by blocks on either side so that it will be level with the base top. Use non-flammable material for supporting blocks.

► **Fig.22:** 1. Supporting block

Carrying tool

Before carrying, remove the batteries and fold down the tool head, and then lock it. Hold the handle when carrying.

► **Fig.23**

MAINTENANCE

CAUTION: Always be sure that the tool is switched off and the battery cartridge is removed before attempting to perform inspection or maintenance.

NOTICE: Never use gasoline, benzine, thinner, alcohol or the like. Discoloration, deformation or cracks may result.

To maintain product SAFETY and RELIABILITY, repairs, any other maintenance or adjustment should be performed by Makita Authorized or Factory Service Centers, always using Makita replacement parts.

OPTIONAL ACCESSORIES

CAUTION: These accessories or attachments are recommended for use with your Makita tool specified in this manual. The use of any other accessories or attachments might present a risk of injury to persons. Only use accessory or attachment for its stated purpose.

If you need any assistance for more details regarding these accessories, ask your local Makita Service Center.

- Abrasive cut-off wheels
- Makita genuine battery and charger

NOTE: Some items in the list may be included in the tool package as standard accessories. They may differ from country to country.

SPÉCIFICATIONS

Modèle :		DLW140
Diamètre de meule		355 mm
Diamètre d'orifice		25,4 mm
Épaisseur max. de la meule		3 mm
Vitesse à vide		3 800 min ⁻¹
Tension nominale		36 V CC
Dimensions (L x l x H)	Avec carter de sécurité de type européen	537 mm x 290 mm x 640 mm
	Avec carter de sécurité de type non européen	537 mm x 280 mm x 640 mm
	Avec carter de sécurité à bouchon central	537 mm x 280 mm x 640 mm
Poids net	Avec carter de sécurité de type européen	17,2 - 17,8 kg
	Avec carter de sécurité de type non européen	15,6 - 16,3 kg
	Avec carter de sécurité à bouchon central	15,4 - 16,0 kg

- Étant donné l'évolution constante de notre programme de recherche et de développement, les spécifications contenues dans ce manuel sont sujettes à modification sans préavis.
- Les spécifications peuvent varier suivant les pays.
- Le poids peut être différent selon les accessoires, notamment la batterie. Les associations la plus légère et la plus lourde, conformément à la procédure EPTA 01/2014, sont indiquées dans le tableau.
- La forme et le poids varient avec les spécifications qui diffèrent d'un pays à l'autre.

Batterie et chargeur applicables

Batterie	BL1815N / BL1820 / BL1820B / BL1830 / BL1830B / BL1840 / BL1840B / BL1850 / BL1850B / BL1860B
Chargeur	DC18RC / DC18RD / DC18RE / DC18SD / DC18SE / DC18SF

- Certains chargeurs et batteries répertoriés ci-dessus peuvent ne pas être disponibles selon la région où vous résidez.

⚠ AVERTISSEMENT : N'utilisez que les batteries et les chargeurs répertoriés ci-dessus. L'utilisation d'autres batteries et chargeurs peut provoquer des blessures et/ou un incendie.

Utilisations

L'outil est conçu pour couper les matériaux ferreux au moyen d'une meule à tronçonner abrasive appropriée. Veuillez respecter toutes les lois et réglementations en vigueur dans votre pays concernant les poussières et la zone de travail, en termes de santé et de sécurité.

Bruit

Niveau de bruit pondéré A typique, déterminé selon EN62841-3-10 :
 Niveau de pression sonore (L_{pA}) : 103 dB (A)
 Niveau de puissance sonore (L_{WA}) : 115 dB (A)
 Incertitude (K) : 3 dB (A)

⚠ AVERTISSEMENT : Portez un serre-tête antibruit.

Vibrations

Valeur totale de vibrations (somme de vecteur triaxial) déterminée selon EN62841-3-10 :
 Émission de vibrations (a_h) : 2,5 m/s²
 Incertitude (K) : 1,5 m/s²

NOTE : La valeur d'émission de vibrations déclarée a été mesurée conformément à la méthode de test standard et peut être utilisée pour comparer les outils entre eux.

NOTE : La valeur d'émission de vibrations déclarée peut aussi être utilisée pour l'évaluation préliminaire de l'exposition.

⚠️ AVERTISSEMENT : L'émission de vibrations lors de l'usage réel de l'outil électrique peut être différente de la valeur d'émission déclarée, suivant la façon dont l'outil est utilisé.

⚠️ AVERTISSEMENT : Les mesures de sécurité à prendre pour protéger l'utilisateur doivent être basées sur une estimation de l'exposition dans des conditions réelles d'utilisation (en tenant compte de toutes les composantes du cycle d'utilisation, comme par exemple le moment de sa mise hors tension, lorsqu'il tourne à vide et le moment de son déclenchement).

Déclaration de conformité CE

Pour les pays européens uniquement

La déclaration de conformité CE est fournie en Annexe A à ce mode d'emploi.

CONSIGNES DE SÉCURITÉ

Consignes de sécurité générales pour outils électriques

⚠️ AVERTISSEMENT : Veuillez lire les consignes de sécurité, instructions, illustrations et spécifications qui accompagnent cet outil électrique. Le non-respect de toutes les instructions indiquées ci-dessous peut entraîner une électrocution, un incendie et/ou de graves blessures.

Conservez toutes les mises en garde et instructions pour référence ultérieure.

Le terme « outil électrique » dans les avertissements fait référence à l'outil électrique alimenté par le secteur (avec cordon d'alimentation) ou à l'outil électrique fonctionnant sur batterie (sans cordon d'alimentation).

Consignes de sécurité pour machine à tronçonner

- Écartez-vous (et éloignez les curieux) de l'axe de la meule en rotation.** Le carter de protection permet de protéger l'utilisateur des éclats de meule brisée et d'un contact accidentel avec la meule.
- Utilisez uniquement des meules à tronçonner renforcées à agglomérant avec votre outil électrique.** Ce n'est pas parce qu'un accessoire se fixe correctement sur votre outil électrique que son utilisation en toute sécurité est garantie.
- La vitesse nominale de l'accessoire doit être au moins égale à la vitesse maximum inscrite sur l'outil électrique.** Les accessoires tournant plus vite que leur vitesse nominale peuvent se casser et voler en éclats.
- Les meules ne doivent être utilisées que pour les applications recommandées. Par exemple : ne procédez pas au meulage avec le côté de la meule à tronçonner.** Les meules à tronçonner abrasives étant conçues pour le meulage périphérique, elles risquent de voler en éclats si on leur applique une force latérale.
- Utilisez toujours des flasques pour meule en bon état, au diamètre convenant à la meule sélectionnée.** Des flasques pour meule adéquats soutiennent la meule et réduisent ainsi les risques de rupture de la meule.
- Le diamètre extérieur et l'épaisseur de l'accessoire ne doivent pas dépasser la capacité nominale de l'outil électrique.** Les accessoires de taille incorrecte ne peuvent être protégés ou contrôlés adéquatement.
- L'orifice central des meules et des flasques doit s'insérer parfaitement sur la broche de l'outil électrique.** Des meules et des flasques dont l'orifice central ne correspond pas au matériel de fixation de l'outil électrique se déséquilibreront, vibreront excessivement et risqueront d'entraîner une perte de maîtrise de l'outil.
- N'utilisez pas de meules endommagées. Avant chaque utilisation, vérifiez que les meules ne sont pas fissurées ou écaillées. Si vous faites tomber l'outil électrique ou la meule, vérifiez qu'ils ne sont pas abîmés ou bien remplacez la meule endommagée. Après avoir vérifié et posé la meule, écartez-vous (et éloignez les curieux) de l'axe de la meule en rotation et faites tourner l'outil électrique en régime à vide maximum pendant une minute.** Les meules endommagées se brisent généralement au cours de cette période d'essai.
- Portez un équipement de protection individuelle. Suivant le type de travail à effectuer, utilisez un écran facial, des lunettes à coques ou des lunettes de sécurité. Au besoin, portez également un masque anti-poussière, des protections auditives, des gants de travail et un tablier de travail pouvant résister aux petits éclats abrasifs et aux fragments de pièce.** La protection oculaire doit pouvoir arrêter les débris volants produits par les diverses opérations. Le masque anti-poussière ou le masque filtrant doit pouvoir filtrer les particules générées pendant l'exécution du travail. Une exposition prolongée à un bruit d'intensité élevée peut entraîner une perte auditive.
- Ne laissez pas les curieux trop approcher de la zone de travail. Toute personne pénétrant dans la zone de travail doit porter un équipement de protection individuelle.** Des fragments provenant de la pièce de travail ou d'une meule cassée peuvent voler en éclats et blesser les personnes se trouvant au-delà de la zone de travail immédiate.
- Nettoyez régulièrement les orifices de ventilation de l'outil électrique.** Le ventilateur du moteur peut aspirer les poussières à l'intérieur du carter, ce qui présente un danger électrique en cas d'accumulation excessive de poussières métalliques.

12. **N'utilisez pas l'outil électrique près de matériaux inflammables. N'utilisez pas l'outil électrique s'il est posé sur une surface combustible comme du bois.** Les étincelles risqueraient d'enflammer ces matériaux.
13. **N'utilisez pas d'accessoires nécessitant un liquide de refroidissement.** L'utilisation d'eau ou de tout autre liquide de refroidissement peut entraîner l'électrocution ou un choc électrique.

Chocs en retour et mises en garde concernant ces derniers

Le choc en retour est une réaction soudaine qui survient lorsque la meule en rotation se coince ou accroche. Lorsque la meule en rotation se coince ou accroche, elle s'arrête soudainement et l'utilisateur perd alors la maîtrise de l'unité de coupe qui est projetée en hauteur vers lui. Par exemple, si une meule abrasive accroche ou se coince dans la pièce, son tranchant introduit au point de pincement risque d'y creuser la surface du matériau, entraînant la sortie ou le déchaussement de la meule. Les meules abrasives risquent également de se briser dans de telles situations. Le choc en retour est le résultat d'une utilisation incorrecte de l'outil électrique et/ou de l'inobservation des procédures ou conditions d'utilisation. Il peut être évité en prenant les précautions adéquates indiquées ci-dessous.

1. **Maintenez une poigne ferme sur l'outil électrique et placez corps et bras de façon à pouvoir résister à la force exercée par les chocs en retour.** L'utilisateur peut maîtriser la force ascendante exercée par le choc en retour s'il prend les précautions nécessaires.
2. **Ne vous placez pas dans l'axe de la meule en rotation.** En cas de choc en retour, l'unité de coupe sera projetée en hauteur vers l'utilisateur.
3. **Ne fixez pas une chaîne de tronçonneuse, une lame à sculpter le bois, une meule diamantée à segments avec un espace périphérique supérieur à 10 mm ou une lame de scie dentée.** Ces lames causent fréquemment des chocs en retour et la perte de maîtrise de l'outil.
4. **Évitez de coincer la meule ou d'appliquer une pression excessive.** N'essayez pas de couper trop profondément. Une meule trop sollicitée subira une surcharge et risquera de se tordre ou de se coincer dans la ligne de coupe, ce qui comporte un risque de choc en retour ou de bris de la meule.
5. **Lorsque la meule se coince ou lorsque vous interrompez la coupe pour une raison quelconque, mettez l'outil électrique hors tension et gardez l'unité de coupe immobile jusqu'à ce que la meule cesse complètement de tourner. N'essayez jamais de retirer la meule de la coupe pendant que la meule tourne, sous peine de provoquer un choc en retour.** Identifiez la cause du grippage de la meule et prenez les mesures correctives pour y remédier.
6. **Ne reprenez pas la coupe en laissant la meule telle quelle dans la pièce. Laissez la meule atteindre sa pleine vitesse, puis réintroduisez-la doucement dans la ligne de coupe.** Si vous redémarrez l'outil électrique alors qu'il se trouve encore dans la pièce, la meule risquera de se coincer, de remonter hors de la ligne de coupe ou de provoquer un choc en retour.

7. **Soutenez les pièces de grande taille pour réduire les risques de pincement de la meule et de choc en retour.** Les pièces de grande taille ont tendance à ployer sous leur propre poids. Il est nécessaire de placer des cales en dessous de la pièce à proximité de la ligne de coupe et près du rebord de la pièce de chaque côté de la meule.

Consignes de sécurité supplémentaires

1. **Prenez garde aux étincelles qui jaillissent au cours de l'utilisation.** Elles peuvent provoquer des blessures ou enflammer les matières combustibles.
2. **Fixez la pièce. Utilisez des dispositifs de serrage ou un étau pour soutenir la pièce lorsque cela est possible.** C'est plus sûr qu'utiliser vos mains et vous permettra d'avoir les mains libres pour actionner l'outil.
3. **Fixez soigneusement la meule à tronçonner.**
4. **Prenez garde de ne pas endommager l'axe, les flasques (tout particulièrement la surface d'installation) ou le boulon sous peine de casser la meule à tronçonner.**
5. **Laissez les carters de protection en place et en état de fonctionnement.**
6. **Tenez la poignée fermement.**
7. **N'approchez pas les mains des pièces en mouvement.**
8. **Assurez-vous que la meule à tronçonner n'entre pas en contact avec la pièce avant de mettre l'outil sous tension.**
9. **Avant chaque utilisation, soyez attentif à tout sautellement ou toute vibration excessive pouvant indiquer que la meule n'est pas bien posée ou qu'elle est mal équilibrée.**
10. **Retirez de la zone tous les matériaux ou débris qui pourraient s'enflammer au contact des étincelles.** Veillez à ce que personne ne se trouve dans la trajectoire des étincelles. Gardez un extincteur en parfait état de fonctionnement à portée de main.
11. **Si la meule à tronçonner s'arrête en cours d'utilisation, émet un bruit étrange ou se met à vibrer, éteignez immédiatement l'outil.**
12. **Éteignez toujours l'outil et attendez que la meule à tronçonner s'arrête complètement avant de retirer et fixer la pièce, manipuler l'étau, changer de position ou d'angle de travail ou remplacer la meule à tronçonner.**
13. **Ne touchez pas la pièce immédiatement après utilisation, car elle sera extrêmement chaude et pourrait vous brûler.**
14. **Rangez les meules dans un endroit sec uniquement.**

CONSERVEZ CES INSTRUCTIONS.

Consignes de sécurité importantes pour la batterie

1. Avant d'utiliser la batterie, lisez toutes les instructions et précautions relatives (1) au chargeur de batterie, (2) à la batterie, et (3) au produit utilisant la batterie.
2. Ne démontez pas la batterie.
3. Cessez immédiatement l'utilisation si le temps de fonctionnement devient excessivement court. Il y a risque de surchauffe, de brûlures, voire d'explosion.
4. Si l'électrolyte pénètre dans vos yeux, rincez-les à l'eau claire et consultez immédiatement un médecin. Il y a risque de perte de la vue.
5. Ne court-circuitez pas la batterie :
 - (1) Ne touchez les bornes avec aucun matériau conducteur.
 - (2) Évitez de ranger la batterie dans un conteneur avec d'autres objets métalliques, par exemple des clous, des pièces de monnaie, etc.
 - (3) N'exposez pas la batterie à l'eau ou à la pluie.

Un court-circuit de la batterie peut provoquer une intensité de courant élevée, une surchauffe, parfois des brûlures et même une panne.

6. Ne rangez pas l'outil et la batterie dans un endroit où la température risque d'atteindre ou de dépasser 50 °C.
7. Ne jetez pas la batterie au feu même si elle est sérieusement endommagée ou complètement épuisée. La batterie peut exploser au contact du feu.
8. Évitez de laisser tomber ou de cogner la batterie.
9. N'utilisez pas la batterie si elle est endommagée.
10. Les batteries au lithium-ion contenues sont soumises aux exigences de la législation sur les marchandises dangereuses.

Lors du transport commercial par des tiers parties ou des transitaires par exemple, des exigences spécifiques en matière d'étiquetage et d'emballage doivent être respectées.

Pour la préparation de l'article expédié, il est nécessaire de consulter un expert en matériau dangereux. Veuillez également respecter les réglementations nationales susceptibles d'être plus détaillées.

Recouvrez les contacts exposés avec du ruban adhésif ou du ruban de masquage et emballez la batterie de telle sorte qu'elle ne puisse pas bouger dans l'emballage.
11. Suivez les réglementations locales en matière de mise au rebut des batteries.
12. Utilisez les batteries uniquement avec les produits spécifiés par Makita. L'insertion de batteries dans des produits non conformes peut provoquer un incendie, une chaleur excessive, une explosion ou une fuite de l'électrolyte.

CONSERVEZ CES INSTRUCTIONS.

ATTENTION : N'utilisez que des batteries Makita d'origine. L'utilisation de batteries de marque autre que Makita ou de batteries modifiées peut provoquer l'explosion des batteries, ce qui présente un risque d'incendie, de dommages matériels et corporels. Cela annulera également la garantie Makita pour l'outil et le chargeur Makita.

Conseils pour assurer la durée de vie optimale de la batterie

1. Chargez la batterie avant qu'elle ne soit complètement déchargée. Arrêtez toujours l'outil et rechargez la batterie quand vous remarquez que la puissance de l'outil diminue.
2. Ne rechargez jamais une batterie complètement chargée. La surcharge réduit la durée de service de la batterie.
3. Chargez la batterie à une température ambiante comprise entre 10 °C et 40 °C. Avant de charger une batterie chaude, laissez-la refroidir.
4. Rechargez la batterie si elle est restée inutilisée pendant une période prolongée (plus de six mois).

INSTALLATION

AVERTISSEMENT : Cet outil produit des étincelles lors de la découpe d'une pièce. N'installez pas cet outil dans un endroit où des matériaux inflammables et/ou explosifs peuvent s'enflammer au contact des étincelles produites par l'outil. Assurez-vous également qu'aucun de ces matériaux ne se trouve à proximité de l'outil avant de commencer à l'utiliser.

Fixation de la base

Cet outil doit être fixé avec deux boulons sur une surface plane et stable en utilisant les orifices pour boulon prévus dans la base de l'outil. Cela contribuera à prévenir les risques de basculement de l'outil et de blessure.

► Fig.1: 1. Orifices pour boulon 2. Base

DESCRIPTION DU FONCTIONNEMENT

⚠ AVERTISSEMENT : Assurez-vous toujours que l'outil est hors tension et que la batterie est retirée avant de régler ou de vérifier le fonctionnement de l'outil. Si vous ne mettez pas l'outil hors tension et ne retirez pas la batterie, cela présente un risque de graves blessures en cas de démarrage accidentel.

Déverrouillage/verrouillage de la tête de l'outil

La tête de l'outil peut être verrouillée. Verrouillez toujours la tête de l'outil quand vous n'utilisez pas l'outil ou quand vous le transportez.

Pour la déverrouiller, enfoncez légèrement la tête de l'outil et poussez sur la goupille de sécurité. Pour la verrouiller, ramenez la goupille de sécurité tout en maintenant enfoncée la tête de l'outil.

► **Fig.2:** 1. Goupille de sécurité

Insertion ou retrait de la batterie

⚠ ATTENTION : Éteignez toujours l'outil avant de mettre en place ou de retirer la batterie.

⚠ ATTENTION : Tenez fermement l'outil et la batterie lors de la mise en place ou du retrait de la batterie. Si vous ne tenez pas fermement l'outil et la batterie, ils peuvent vous glisser des mains, et s'abîmer ou vous blesser.

► **Fig.3:** 1. Voyant rouge 2. Bouton 3. Batterie

Pour retirer la batterie, faites-la glisser hors de l'outil tout en faisant glisser le bouton à l'avant de la batterie.

Pour mettre en place la batterie, alignez la languette sur la batterie avec la rainure sur le compartiment et insérez-la. Insérez-la à fond jusqu'à ce qu'un léger déclic se fasse entendre. Si le voyant rouge sur le dessus du bouton est visible, cela signifie qu'elle n'est pas bien verrouillée.

⚠ ATTENTION : Insérez toujours complètement la batterie jusqu'à ce que le voyant rouge ne soit plus visible. Sinon, elle pourrait tomber accidentellement de l'outil, au risque de vous blesser ou de blesser quelqu'un se trouvant près de vous.

⚠ ATTENTION : N'insérez pas la batterie de force. Si elle ne glisse pas facilement, c'est que vous ne l'insérez pas correctement.

NOTE : L'outil ne fonctionne pas avec une seule batterie.

Système de protection de l'outil/la batterie

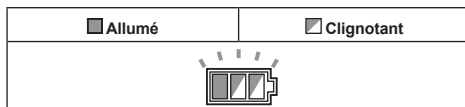
L'outil est équipé d'un système de protection de l'outil/la batterie. Ce système coupe automatiquement l'alimentation vers le moteur pour prolonger la durée de vie de l'outil et de la batterie. Si l'outil ou la batterie se trouve dans l'une des situations suivantes, l'outil cessera automatiquement de fonctionner. Dans certaines situations, les témoins s'allument.

Protection contre la surcharge

Lorsque l'outil est utilisé d'une manière provoquant un appel de courant anormalement élevé, il s'arrête automatiquement. Dans ce cas, éteignez l'outil et arrêtez la tâche ayant provoqué la surcharge de l'outil. Puis rallumez l'outil pour reprendre la tâche.

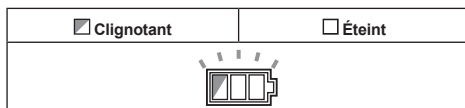
Protection contre la surchauffe

En cas de surchauffe de l'outil, celui-ci s'arrête automatiquement et le témoin de la batterie clignote pendant 60 secondes environ. Dans ce cas, laissez l'outil refroidir avant de le rallumer.



Protection contre la décharge totale de la batterie

Lorsque la charge de la batterie devient faible, l'outil s'arrête automatiquement et le témoin de la batterie épuisée clignote. Si le produit ne fonctionne pas même en actionnant les interrupteurs, retirez la batterie épuisée de l'outil et chargez-la.



Indication de la charge restante de la batterie

► **Fig.4:** 1. Témoin de la batterie 2. Bouton de vérification

Appuyez sur le bouton de vérification pour indiquer la charge restante de la batterie. Les témoins de batterie correspondent à chaque batterie.

Statut du témoin de la batterie			Charge restante de la batterie
<input checked="" type="checkbox"/> Allumé	<input type="checkbox"/> Éteint	<input checked="" type="checkbox"/> Clignotant	
			50 % à 100 %
			20 % à 50 %
			0 % à 20 %
			Chargez la batterie

Indication de la charge restante de la batterie

Uniquement pour les batteries avec voyant lumineux

► Fig.5: 1. Témoins 2. Bouton de vérification

Appuyez sur le bouton de vérification sur la batterie pour indiquer la charge restante de la batterie. Les témoins s'allument pendant quelques secondes.

Témoins			Charge restante	
Allumé	Éteint	Clignotant		
■	□	◻	75 % à 100 %	
■ ■ ■ ■	■ ■ ■ ■	■ ■ ■ ■		50 % à 75 %
■ ■ ■ ■	■ ■ ■ ■	■ ■ ■ ■		
■ ■ ■ ■	■ ■ ■ ■	■ ■ ■ ■	0 % à 25 %	
◻	◻	◻	Chargez la batterie.	
◻	◻	◻	Anomalie possible de la batterie.	

NOTE : Selon les conditions d'utilisation et la température ambiante, l'indication peut être légèrement différente de la capacité réelle.

Fonctionnement de la gâchette

⚠ AVERTISSEMENT : Avant d'insérer la batterie dans l'outil, vérifiez toujours que la gâchette fonctionne bien et revient en position d'arrêt lorsque vous la relâchez.

► Fig.6: 1. Bouton de sécurité 2. Gâchette

Un bouton de sécurité a été prévu pour éviter l'activation accidentelle de la gâchette. Pour démarrer l'outil, enfoncez le bouton de sécurité puis enclenchez la gâchette. Pour arrêter l'outil, relâchez la gâchette.

⚠ AVERTISSEMENT : NE bloquez JAMAIS le bouton de sécurité avec du ruban ou de toute autre manière. Une gâchette dont le bouton de sécurité est bloqué comporte un risque d'activation accidentelle pouvant entraîner de graves blessures.

⚠ AVERTISSEMENT : N'utilisez JAMAIS l'outil s'il se met en marche lorsque vous enclenchez simplement la gâchette sans avoir enfoncé le bouton de sécurité. Une gâchette devant être réparée comporte un risque d'activation accidentelle pouvant entraîner de graves blessures. Confiez l'outil à un centre d'entretien Makita pour le faire réparer AVANT de poursuivre l'utilisation.

REMARQUE : Évitez d'appuyer sur la gâchette avec force lorsque le bouton de sécurité n'est pas enfoncé. Vous risqueriez de briser la gâchette.

Indicateur d'état de la charge

L'indicateur d'état de la charge montre le niveau de la charge exercée sur le moteur pendant la coupe. À mesure que la charge exercée sur le moteur augmente, le nombre de voyants allumés augmente.

► Fig.7: 1. Indicateur d'état de la charge

Alerte en cas de surcharge

Si le moteur est utilisé avec une charge excessive, tous les voyants sur l'indicateur d'état de la charge clignotent. Dans ce cas, réduisez la charge exercée sur le moteur. Si vous continuez à exercer une charge sur le moteur alors que l'indicateur d'état de la charge clignote, l'outil s'arrêtera automatiquement au bout de quelques secondes en raison de la protection contre la surcharge.

NOTE : Si une charge excessive est exercée d'un coup, l'outil s'arrête automatiquement sans que l'indicateur d'état de la charge clignote.

Intervalle entre l'étau et la plaque de guidage

⚠ ATTENTION : Après avoir ajusté l'intervalle entre l'étau et la plaque de guidage, assurez-vous que cette dernière est bien fixée. Une fixation insuffisante peut entraîner des blessures.

Les réglages suivants d'intervalle de l'étau sont disponibles :

- 0 - 170 mm (réglage initial)
- 35 - 205 mm
- 70 - 240 mm

Si un réglage différent est requis pour l'exécution de la tâche, procédez comme suit pour modifier l'espacement ou l'intervalle.

Desserrez la vis sur la plaque de guidage. Amenez la plaque de guidage sur la position souhaitée, puis serrez la vis.

► Fig.8: 1. Vis 2. Plaque de guidage

Réglage de l'angle de coupe

⚠ ATTENTION : Après avoir ajusté l'angle de la plaque de guidage, assurez-vous que cette dernière est bien fixée. Une fixation insuffisante peut entraîner des blessures.

⚠ ATTENTION : N'utilisez pas l'outil alors que le matériau n'est pas solidement fixé avec l'étau en raison de l'angle de coupe.

Tournez le levier dans le sens inverse des aiguilles d'une montre. Amenez la plaque de guidage sur l'angle souhaité, puis serrez complètement le levier.

► Fig.9: 1. Plaque de guidage 2. Levier

NOTE : L'échelle sur la plaque de guidage n'est qu'une indication approximative. Pour un angle plus précis, utilisez un rapporteur ou une équerre. Abaissez la poignée de sorte que la meule à tronçonner touche la base. Simultanément, ajustez l'angle entre la plaque de guidage et la meule à tronçonner avec un rapporteur ou une équerre.

Réglage du pare-étincelles

Selon le pays

En usine, le pare-étincelles est installé avec le bord inférieur en contact avec la base. L'outil projettera beaucoup d'étincelles s'il est utilisé avec le pare-étincelles dans cette position. Desserrez la vis et ajustez le pare-étincelles sur la position qui réduira le plus possible la projection d'étincelles.

► Fig.10: 1. Vis 2. Pare-étincelles

Fonction électronique

La ou les caractéristiques suivantes facilitent l'utilisation des outils munis de fonctions électroniques.

Fonction de démarrage en douceur

La suppression du choc de démarrage permet un démarrage en douceur.

ASSEMBLAGE

⚠AVERTISSEMENT : Assurez-vous toujours que l'outil est hors tension et que la batterie est retirée avant de travailler dessus. Si vous ne mettez pas l'outil hors tension et ne retirez pas la batterie, cela présente un risque de graves blessures.

Ouvrir le carter de sécurité à bouchon central

Selon le pays

Pour les outils pourvus d'un carter de sécurité à bouchon central, desserrez d'abord la vis de serrage, puis soulevez le carter.

► Fig.11: 1. Vis de serrage

Ouvrir le carter de sécurité de type européen

Selon le pays

Pour les outils pourvus d'un carter de sécurité de type européen, desserrez d'abord la vis de serrage, puis ouvrez le carter comme illustré.

► Fig.12: 1. Vis de serrage

► Fig.13

► Fig.14

Dépose ou pose de la meule à tronçonner

⚠ATTENTION : Vous devez serrer fermement l'attache sans outil. Un serrage insuffisant peut entraîner de graves blessures.

⚠ATTENTION : Utilisez toujours uniquement les flasques intérieur et extérieur adéquats fournis avec l'outil.

⚠ATTENTION : Abaissez toujours le carter de sécurité après avoir remplacé la meule à tronçonner.

⚠ATTENTION : Portez des gants lorsque vous manipulez les meules.

Soulevez le carter de sécurité. Tournez l'attache sans outil dans le sens inverse des aiguilles d'une montre tout en maintenant enfoncé le blocage de l'arbre. Déposez ensuite l'attache sans outil, le flasque extérieur et la meule à tronçonner. Lors de la dépose de la meule à tronçonner, ne retirez pas le flasque intérieur, ni l'anneau et le joint torique.

► Fig.15: 1. Blocage de l'arbre 2. Attache sans outil

► Fig.16: 1. Flasque intérieur 2. Anneau 3. Joint torique 4. Meule à tronçonner 5. Flasque extérieur 6. Attache sans outil

Pour installer la meule à tronçonner, suivez la procédure de dépose en sens inverse. Veillez à faire correspondre l'orifice de la meule à tronçonner avec l'anneau et remettez le carter de sécurité en place.

UTILISATION

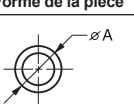
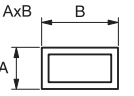
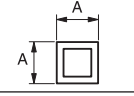

⚠ATTENTION : Observez la quantité d'étincelles produites pendant la coupe pour savoir qu'elle est la pression optimale à exercer sur la poignée et comment obtenir l'efficacité de coupe maximale. Ne forcez pas la coupe en appliquant une pression excessive sur la poignée. Cela réduira l'efficacité de la coupe, provoquera l'usure prématurée de la meule, et peut abîmer l'outil, la meule à tronçonner ou la pièce.

Tenez la poignée fermement. Mettez l'outil sous tension et attendez que la meule à tronçonner atteigne sa pleine vitesse avant de l'abaisser délicatement dans la ligne de coupe. Lorsque la meule à tronçonner entre en contact avec la pièce, pesez graduellement sur la poignée pour effectuer la coupe. Lorsque la coupe est terminée, mettez l'outil hors tension et attendez l'arrêt complet de la meule à tronçonner avant de ramener la poignée en position complètement relevée.

Capacité de coupe

La capacité de coupe maximale dépend de l'angle de coupe et de la forme de la pièce.

Capacité de coupe max. avec une meule à tronçonner toute neuve

Angle de coupe/ Forme de la pièce	90°	45°
	ø127 mm	ø127 mm
	115 x 130 mm 102 x 194 mm 70 x 233 mm	115 x 103 mm
	119 x 119 mm	106 x 106 mm
	137 x 137 mm	100 x 100 mm

NOTE : Il est recommandé de couper des pièces de moins d'1,6 mm d'épaisseur avec cet outil.

Fixation de la pièce

⚠ ATTENTION : Placez toujours le porte-filetage sur les filetages de l'arbre lorsque vous fixez la pièce en place. Autrement la pièce risquera de n'être pas fixée assez solidement. Cela peut causer l'éjection de la pièce ou un bris dangereux de la meule à tronçonner.

Pendant que le porte-filetage est soulevé, le talon de l'étau peut être déplacé d'avant en arrière rapidement. Pour serrer une pièce, poussez la poignée jusqu'à ce que le talon de l'étau entre en contact avec la pièce, puis remettez en place le porte-filetage. Tournez la poignée dans le sens des aiguilles d'une montre jusqu'à ce que la pièce soit solidement retenue.

► **Fig.17:** 1. Poignée 2. Porte-filetage 3. Talon de l'étau

Lorsque la meule à tronçonner est considérablement usée, placez un bloc espaceur derrière la pièce comme illustré sur la figure. Vous pourrez ainsi utiliser de manière plus efficace la meule usée, en coupant la pièce à l'aide de la partie de la périphérie située à l'aplomb de l'axe de la meule. Le bloc espaceur doit être fait d'un matériau robuste et non inflammable.

► **Fig.18:** 1. Bloc espaceur

Pour couper en biseau des pièces de plus de 85 mm de large, fixez une pièce de bois droite (entretoise) d'une longueur supérieure à 190 mm et d'une largeur de 40 mm sur la plaque de guidage, comme illustré sur la figure. Fixez cette entretoise à l'aide de vis insérées dans les orifices de la plaque de guidage. Assurez-vous que la meule à tronçonner n'entre pas en contact avec l'entretoise lorsque la tête de l'outil est enfoncée.

► **Fig.19:** 1. Plaque de guidage 2. Bloc espaceur (plus de 190 mm de long x40 mm de large) 3. Pièce (plus de 85 mm de large) 4. Talon de l'étau

REMARQUE : Lorsque vous utilisez un bloc espaceur, installez la plaque de guidage sur l'emplacement le plus proche du cou de la tête de l'outil.

► **Fig.20**

Lorsque la meule à tronçonner est usée, soulevez la position de la coupe en plaçant un bloc espaceur légèrement plus étroit que la pièce comme illustré sur la figure. Cela vous permettra de réduire l'usure de la meule à tronçonner.

► **Fig.21:** 1. Talon de l'étau 2. Diamètre de la pièce 3. Plaque de guidage 4. Largeur du bloc espaceur

Les longues pièces doivent être soutenues par des blocs placés de chaque côté, de sorte que la pièce soit de niveau par rapport au-dessus de la base. Les blocs de soutien doivent être faits d'un matériau non inflammable.

► **Fig.22:** 1. Bloc de soutien

Transport de l'outil

Avant le transport, retirez les batteries et repliez la tête de l'outil, puis verrouillez-la. Tenez la poignée lors du transport.

► **Fig.23**

ENTRETIEN

⚠ ATTENTION : Assurez-vous toujours que l'outil est hors tension et que la batterie est retirée avant d'y effectuer tout travail d'inspection ou d'entretien.

REMARQUE : N'utilisez jamais d'essence, benzine, diluant, alcool ou autre produit similaire. Cela risquerait de provoquer la décoloration, la déformation ou la fissuration de l'outil.

Pour assurer la SÉCURITÉ et la FIABILITÉ du produit, toute réparation, tout travail d'entretien ou de réglage doivent être effectués par un centre d'entretien Makita agréé, avec des pièces de rechange Makita.

ACCESSOIRES EN OPTION

⚠ ATTENTION : Ces accessoires ou pièces complémentaires sont recommandés pour l'utilisation avec l'outil Makita spécifié dans ce mode d'emploi. L'utilisation de tout autre accessoire ou pièce complémentaire peut comporter un risque de blessure. N'utilisez les accessoires ou pièces complémentaires qu'aux fins auxquelles ils ont été conçus.

Pour obtenir plus de détails sur ces accessoires, contactez votre centre d'entretien local Makita.

- Meules à tronçonner abrasives
- Batterie et chargeur Makita d'origine

NOTE : Il se peut que certains éléments de la liste soient compris dans l'emballage de l'outil en tant qu'accessoires standard. Ils peuvent varier d'un pays à l'autre.

TECHNISCHE DATEN

Modell:		DLW140
Scheibendurchmesser		355 mm
Lochdurchmesser		25,4 mm
Max. Scheibendicke		3 mm
Leerlaufdrehzahl		3.800 min ⁻¹
Nennspannung		36 V Gleichstrom
Abmessungen (L x B x H)	Mit Schutzhaube für europäische Vorschriften	537 mm x 290 mm x 640 mm
	Mit Schutzhaube für andere Vorschriften außer den europäischen	537 mm x 280 mm x 640 mm
	Mit Schutzhaube mit Mittelkappe	537 mm x 280 mm x 640 mm
Nettogewicht	Mit Schutzhaube für europäische Vorschriften	17,2 - 17,8 kg
	Mit Schutzhaube für andere Vorschriften außer den europäischen	15,6 - 16,3 kg
	Mit Schutzhaube mit Mittelkappe	15,4 - 16,0 kg

- Wir behalten uns vor, Änderungen der technischen Daten im Zuge der Entwicklung und des technischen Fortschritts ohne vorherige Ankündigung vorzunehmen.
- Die technischen Daten können von Land zu Land unterschiedlich sein.
- Das Gewicht kann abhängig von dem Aufsatz (den Aufsätzen), einschließlich des Akkus, unterschiedlich sein. Die leichteste und die schwerste Kombination, gemäß dem EPTA-Verfahren 01/2014, sind in der Tabelle angegeben.
- Form und Gewicht hängen von den technischen Daten ab, die je nach Land unterschiedlich sind.

Zutreffende Akkus und Ladegeräte

Akku	BL1815N / BL1820 / BL1820B / BL1830 / BL1830B / BL1840 / BL1840B / BL1850 / BL1850B / BL1860B
Ladegerät	DC18RC / DC18RD / DC18RE / DC18SD / DC18SE / DC18SF

- Einige der oben aufgelisteten Akkus und Ladegeräte sind je nach Ihrem Wohngebiet eventuell nicht erhältlich.

⚠️ WARNUNG: Verwenden Sie nur die oben aufgeführten Akkus und Ladegeräte. Bei Verwendung irgendwelcher anderer Akkus und Ladegeräte besteht Verletzungs- und/oder Brandgefahr.

Vorgesehene Verwendung

Das Werkzeug ist zum Schneiden von Eisenmaterial mit einer geeigneten Trennschleifscheibe vorgesehen. Befolgen Sie alle Gesetze und Bestimmungen Ihres Landes bezüglich Staub, Gesundheit am Arbeitsplatz und Sicherheit.

Geräusch

Typischer A-bewerteter Geräuschpegel ermittelt gemäß EN62841-3-10:
 Schalldruckpegel (L_{pA}): 103 dB (A)
 Schalleistungspegel (L_{WA}): 115 dB (A)
 Messunsicherheit (K): 3 dB (A)

⚠️ WARNUNG: Einen Gehörschutz tragen.

Schwingungen

Schwingungsgesamtwert (Drei-Achsen-Vektorsumme) ermittelt gemäß EN62841-3-10:
 Schwingungsemission (a_h): 2,5 m/s²
 Messunsicherheit (K): 1,5 m/s²

HINWEIS: Der angegebene Schwingungsemissionswert wurde im Einklang mit der Standardprüfmethode gemessen und kann für den Vergleich zwischen Werkzeugen herangezogen werden.

HINWEIS: Der angegebene Schwingungsemissionswert kann auch für eine Vorbewertung des Gefährdungsgrads verwendet werden.

⚠️ WARNUNG: Die Schwingungsemission während der tatsächlichen Benutzung des Werkzeugs kann je nach der Benutzungsweise des Werkzeugs vom angegebenen Emissionswert abweichen.

⚠️ WARNUNG: Identifizieren Sie Sicherheitsmaßnahmen zum Schutz des Benutzers anhand einer Schätzung des Gefährdungsgrads unter den tatsächlichen Benutzungsbedingungen (unter Berücksichtigung aller Phasen des Arbeitszyklus, wie z. B. Ausschalt- und Leerlaufzeiten des Werkzeugs zusätzlich zur Betriebszeit).

EG-Konformitätserklärung

Nur für europäische Länder

Die EG-Konformitätserklärung ist als Anhang A in dieser Bedienungsanleitung enthalten.

SICHERHEITSWARNUNGEN

Allgemeine Sicherheitswarnungen für Elektrowerkzeuge

⚠️ WARNUNG: Lesen Sie alle mit diesem Elektrowerkzeug gelieferten Sicherheitswarnungen, Anweisungen, Abbildungen und technischen Daten durch. Eine Missachtung der unten aufgeführten Anweisungen kann zu einem elektrischen Schlag, Brand und/oder schweren Verletzungen führen.

Bewahren Sie alle Warnungen und Anweisungen für spätere Bezugnahme auf.

Der Ausdruck „Elektrowerkzeug“ in den Warnhinweisen bezieht sich auf Ihr mit Netzstrom (mit Kabel) oder Akku (ohne Kabel) betriebenes Elektrowerkzeug.

Sicherheitswarnungen für Trennschleifmaschine

- Achten Sie darauf, dass Sie selbst und Umstehende nicht in der Ebene der rotierenden Trennscheibe stehen.** Die Schutzhaube schützt den Bediener vor Trennscheiben-Bruchstücken und versehentlichem Kontakt mit der Trennscheibe.
 - Verwenden Sie nur kunstharzgebundene faserverstärkte Trennscheiben für Ihr Elektrowerkzeug.** Die bloße Tatsache, dass ein Zubehörteil an Ihrem Elektrowerkzeug angebracht werden kann, gewährleistet noch keinen sicheren Betrieb.
 - Die Nenndrehzahl des Zubehörteils muss mindestens der am Elektrowerkzeug angegebenen Maximaldrehzahl entsprechen.** Zubehörteile, die schneller als ihre Nenndrehzahl rotieren, können bersten und auseinander fliegen.
- Scheiben dürfen nur für empfohlene Anwendungen eingesetzt werden. Zum Beispiel: Nicht mit der Seite einer Trennscheibe schleifen.** Trennschleifscheiben sind für Periphereschleifen vorgesehen. Falls seitliche Kräfte auf diese Scheiben einwirken, können sie zerbrechen.
 - Verwenden Sie stets unbeschädigte Scheibenflansche des korrekten Durchmessers für die ausgewählte Trennscheibe.** Korrekte Scheibenflansche stützen die Trennscheibe und reduzieren somit die Möglichkeit eines Scheibenbruchs.
 - Außendurchmesser und Dicke des Zubehörteils müssen innerhalb der Kapazitätsgrenzen Ihres Elektrowerkzeugs liegen.** Zubehörteile der falschen Größe können nicht angemessen geschützt oder kontrolliert werden.
 - Die Spindelbohrung von Trennscheiben und Flanschen muss genau der Spindel des Elektrowerkzeugs angepasst sein.** Trennscheiben und Flansche, deren Spindelbohrung nicht genau auf den Montageflansch des Elektrowerkzeugs passt, laufen unrund, vibrieren übermäßig und können einen Verlust der Kontrolle verursachen.
 - Verwenden Sie keine beschädigten Trennscheiben. Überprüfen Sie die Trennscheiben vor jeder Benutzung auf Absplittierungen und Risse.** Falls das Elektrowerkzeug oder die Trennscheibe herunterfällt, überprüfen Sie das Teil auf Beschädigung, oder montieren Sie eine unbeschädigte Trennscheibe. Achten Sie nach der Überprüfung und Installation der Trennscheibe darauf, dass Sie selbst und Umstehende nicht in der Rotationsebene der Trennscheibe stehen, und lassen Sie das Elektrowerkzeug eine Minute lang mit maximaler Leerlaufdrehzahl laufen. Beschädigte Trennscheiben brechen normalerweise während dieses Probelaufs auseinander.
 - Tragen Sie persönliche Schutzausrüstung. Benutzen Sie je nach der Arbeit einen Gesichtsschutz bzw. eine Sicherheits- oder Schutzbrille. Tragen Sie bei Bedarf eine Staubmaske, Ohrenschützer, Handschuhe und eine Arbeitsschürze, die in der Lage ist, kleine Schleifpartikel oder Werkstücksplitter abzuwehren.** Der Augenschutz muss in der Lage sein, den bei verschiedenen Arbeiten anfallenden Flugstaub abzuwehren. Die Staubmaske oder Atemschutzmaske muss in der Lage sein, durch die Arbeit erzeugte Partikel herauszufiltern. Lang anhaltende Lärmbelastung kann zu Gehörschäden führen.
 - Halten Sie Umstehende in sicherem Abstand vom Arbeitsbereich. Jeder, der den Arbeitsbereich betritt, muss persönliche Schutzausrüstung tragen.** Bruchstücke des Werkstücks oder einer beschädigten Trennscheibe können weggeschleudert werden und Verletzungen über den unmittelbaren Arbeitsbereich hinaus verursachen.

11. **Reinigen Sie die Ventilationsöffnungen des Elektrowerkzeugs regelmäßig.** Der Lüfter des Motors kann Staub in das Gehäuse ansaugen, und starke Ablagerungen von Metallstaub können elektrische Gefahren verursachen.
12. **Betreiben Sie das Elektrowerkzeug nicht in der Nähe von brennbaren Materialien. Betreiben Sie das Elektrowerkzeug nicht, während es auf einer brennbaren Oberfläche, wie z. B. Holz, liegt.** Funken könnten diese Materialien entzünden.
13. **Verwenden Sie keine Zubehöreile, die Kühlflüssigkeiten erfordern.** Die Verwendung von Wasser oder anderen Kühlflüssigkeiten kann zu einem Stromtod oder Stromschlag führen.

Warnungen vor Rückschlag und damit zusammenhängenden Gefahren

Rückschlag ist eine plötzliche Reaktion auf eine eingeklemmte oder stockende Trennscheibe. Klemmen oder Hängenbleiben verursacht ruckartiges Stocken der rotierenden Trennscheibe, was wiederum dazu führt, dass das außer Kontrolle geratene Schneidelement nach oben in Richtung des Bedieners geschleudert wird. Wenn beispielsweise eine Schleifscheibe vom Werkstück erfasst oder eingeklemmt wird, kann sich die in den Klammepunkt eindringende Schleifscheibenkante in die Materialoberfläche bohren, so dass sie herauspringt oder zurückschlägt. Schleifscheiben können unter solchen Bedingungen auch brechen. Rückschlag ist das Resultat falscher Handhabung des Elektrowerkzeugs und/oder falscher Arbeitsverfahren oder -bedingungen und kann durch Anwendung der nachstehenden Vorsichtsmaßnahmen vermieden werden.

1. **Halten Sie das Elektrowerkzeug mit festem Griff, und positionieren Sie Ihren Körper und Arm so, dass Sie die Rückschlagkräfte auffangen können.** Nach oben gerichtete Rückschlagkräfte können kontrolliert werden, wenn entsprechende Vorkehrungen getroffen werden.
2. **Stellen Sie sich nicht so, dass sich Ihr Körper in einer Linie mit der rotierenden Trennscheibe befindet.** Falls ein Rückschlag auftritt, wird das Schneidelement nach oben auf den Bediener zu geschleudert.
3. **Bringen Sie keine Sägeketten, Holzfräsen, Segment-Diamantscheiben mit einem Randspalt von mehr als 10 mm oder gezahnte Sägeblätter an.** Solche Sägeblätter verursachen häufige Rückschläge und Verlust der Kontrolle.
4. **Vermeiden Sie „Verkanten“ der Trennscheibe oder die Ausübung übermäßigen Drucks. Versuchen Sie nicht, übermäßig tiefe Schnitte zu machen.** Überbeanspruchung der Trennscheibe erhöht die Belastung und die Empfänglichkeit für Verdrehen oder Klemmen der Trennscheibe im Schnitt sowie die Möglichkeit von Rückschlag oder Scheibenbruch.
5. **Falls die Trennscheibe klemmt oder der Schnitt aus irgendeinem Grund unterbrochen wird, schalten Sie das Elektrowerkzeug aus und halten Sie es bewegungslos im Werkstück, bis die Trennscheibe zum völligen Stillstand kommt. Versuchen Sie auf keinen Fall, die rotierende Trennscheibe aus dem Schnitt zu entfernen, weil sonst ein Rückschlag auftreten kann.** Nehmen Sie eine Überprüfung vor, und treffen Sie Abhilfemaßnahmen, um die Ursache von Trennscheiben-Klemmen zu beseitigen.

6. **Setzen Sie den Schnittbetrieb nicht mit im Werkstück sitzender Trennscheibe fort. Führen Sie die Trennscheibe vorsichtig in den Schnitt ein, nachdem sie die volle Drehzahl erreicht hat.** Wird das Elektrowerkzeug mit im Werkstück sitzender Trennscheibe eingeschaltet, kann die Trennscheibe klemmen, hochsteigen oder zurückschlagen.
7. **Stützen Sie übergroße Werkstücke ab, um die Gefahr von Klemmen oder Rückschlag der Trennscheibe zu minimieren.** Große Werkstücke neigen dazu, unter ihrem Eigengewicht durchzuhängen. Die Stützen müssen beidseitig der Trennscheibe nahe der Schnittlinie und in der Nähe der Werkstückkante unter das Werkstück platziert werden.

Zusätzliche Sicherheitswarnungen

1. **Nehmen Sie sich während des Betriebs vor Funkenflug in Acht.** Funken können Verletzungen verursachen oder brennbares Material entzünden.
2. **Werkstück sichern. Sichern Sie das Werkstück nach Möglichkeit mit Klemmen oder einem Schraubstock.** Dies ist sicherer als Handhaltung, und außerdem haben Sie beide Hände zur Bedienung des Werkzeugs frei.
3. **Sichern Sie die Trennscheibe sorgfältig.**
4. **Achten Sie darauf, dass die Spindel, die Flansche (insbesondere die Montagefläche) oder die Schraube nicht beschädigt werden, weil es sonst zu einem Bruch der Trennscheibe selbst kommen kann.**
5. **Schutzhauben müssen angebracht und in gutem Betriebszustand sein.**
6. **Halten Sie den Handgriff mit festem Griff.**
7. **Halten Sie die Hände von rotierenden Teilen fern.**
8. **Vergewissern Sie sich vor dem Einschalten des Werkzeugs, dass die Trennscheibe nicht das Werkstück berührt.**
9. **Achten Sie vor jedem Gebrauch auf Flattern oder übermäßige Vibrationen, die durch schlechte Installation oder eine schlecht ausgewuchtete Trennscheibe verursacht werden.**
10. **Säubern Sie den Bereich von Material oder Abfällen, die durch Funken entzündet werden können. Achten Sie darauf, dass sich keine Personen in der Funkenflugbahn befinden. Halten Sie einen vorschriftsmäßig gefüllten Feuerlöscher griffbereit.**
11. **Falls die Trennscheibe während des Betriebs stockt, ein merkwürdiges Geräusch erzeugt oder zu vibrieren beginnt, schalten Sie das Werkzeug sofort aus.**
12. **Schalten Sie stets das Werkzeug aus, und warten Sie, bis die Trennscheibe zum vollständigen Stillstand gekommen ist, bevor Sie das Werkstück entfernen oder befestigen, den Schraubstock betätigen, die Arbeitsposition oder den Winkel ändern, oder die Trennscheibe auswechseln.**
13. **Berühren Sie das Werkstück nicht unmittelbar nach der Trennarbeit, da es sehr heiß ist und Hautverbrennungen verursachen kann.**

14. Lagern Sie Trennscheiben nur an einem trockenen Ort.

DIESE ANWEISUNGEN AUFBEWAHREN.

Wichtige Sicherheitsanweisungen für Akku

1. Lesen Sie vor der Benutzung des Akkus alle Anweisungen und Warnhinweise, die an (1) Ladegerät, (2) Akku und (3) Akkuwerkzeug angebracht sind.
2. Unterlassen Sie ein Zerlegen des Akkus.
3. Falls die Betriebszeit beträchtlich kürzer geworden ist, stellen Sie den Betrieb sofort ein. Anderenfalls besteht die Gefahr von Überhitzung, möglichen Verbrennungen und sogar einer Explosion.
4. Falls Elektrolyt in Ihre Augen gelangt, waschen Sie sie mit sauberem Wasser aus, und begeben Sie sich unverzüglich in ärztliche Behandlung. Anderenfalls können Sie Ihre Sehkraft verlieren.
5. Der Akku darf nicht kurzgeschlossen werden:
 - (1) Die Kontakte dürfen nicht mit leitfähigem Material berührt werden.
 - (2) Lagern Sie den Akku nicht in einem Behälter zusammen mit anderen Metallgegenständen, wie z. B. Nägel, Münzen usw.
 - (3) Setzen Sie den Akku weder Wasser noch Regen aus.

Ein Kurzschluss des Akkus verursacht starken Stromfluss, der Überhitzung, mögliche Verbrennungen und einen Defekt zur Folge haben kann.

6. Lagern Sie das Werkzeug und den Akku nicht an Orten, an denen die Temperatur 50 °C erreichen oder überschreiten kann.
7. Versuchen Sie niemals, den Akku zu verbrennen, selbst wenn er stark beschädigt oder vollkommen verbraucht ist. Der Akku kann im Feuer explodieren.
8. Achten Sie darauf, dass der Akku nicht fallen gelassen oder Stößen ausgesetzt wird.
9. Benutzen Sie keine beschädigten Akkus.
10. Die enthaltenen Lithium-Ionen-Akkus unterliegen den Anforderungen der Gefahrgut-Gesetzgebung.

Für kommerzielle Transporte, z. B. durch Dritte oder Spediteure, müssen besondere Anforderungen zu Verpackung und Etikettierung beachtet werden.

Zur Vorbereitung des zu transportierenden Artikels ist eine Beratung durch einen Experten für Gefahrgut erforderlich. Bitte beachten Sie möglicherweise ausführlichere nationale Vorschriften. Überkleben oder verdecken Sie offene Kontakte, und verpacken Sie den Akku so, dass er sich in der Verpackung nicht umher bewegen kann.
11. Befolgen Sie die örtlichen Bestimmungen bezüglich der Entsorgung von Akkus.

12. Verwenden Sie die Akkus nur mit den von Makita angegebenen Produkten. Das Einsetzen der Akkus in nicht konforme Produkte kann zu einem Brand, übermäßiger Hitzebildung, einer Explosion oder Auslaufen von Elektrolyt führen.

DIESE ANWEISUNGEN AUFBEWAHREN.

⚠ VORSICHT: Verwenden Sie nur Original-Makita-Akkus. Die Verwendung von Nicht-Original-Makita-Akkus oder von Akkus, die abgeändert worden sind, kann zum Bersten des Akkus und daraus resultierenden Bränden, Personenschäden und Beschädigung führen. Außerdem wird dadurch die Makita-Garantie für das Makita-Werkzeug und -Ladegerät ungültig.

Hinweise zur Aufrechterhaltung der maximalen Akku-Nutzungsdauer

1. Laden Sie den Akku, bevor er vollkommen erschöpft ist. Schalten Sie das Werkzeug stets aus, und laden Sie den Akku, wenn Sie ein Nachlassen der Werkzeugleistung feststellen.
2. Unterlassen Sie erneutes Laden eines voll aufgeladenen Akkus. Überladen führt zu einer Verkürzung der Nutzungsdauer des Akkus.
3. Laden Sie den Akku bei Raumtemperatur zwischen 10 – 40 °C. Lassen Sie einen heißen Akku abkühlen, bevor Sie ihn laden.
4. Der Akku muss geladen werden, wenn er lange Zeit (länger als sechs Monate) nicht benutzt wird.

INSTALLATION

⚠ WARNUNG: Dieses Werkzeug erzeugt Funken beim Schneiden eines Werkstücks. Installieren Sie dieses Werkzeug nicht an Orten, an denen brennbare und/oder explosive Materialien durch die vom Werkzeug erzeugten Funken entzündet werden könnten. Vergewissern Sie sich vor Arbeitsbeginn auch, dass sich keine derartigen Materialien in der Nähe des Werkzeugs befinden.

Sichern der Grundplatte

Dieses Werkzeug sollte unter Verwendung der Schraubenbohrungen in der Grundplatte mit zwei Schrauben auf einer ebenen und stabilen Oberfläche befestigt werden. Dies trägt zur Vermeidung von Umkippen und möglichen Verletzungen bei.

- **Abb.1:** 1. Schraubenbohrungen 2. Grundplatte

FUNKTIONSBESCHREIBUNG

⚠️ WARNUNG: Vergewissern Sie sich vor der Durchführung von Einstellungen oder Funktionsprüfungen des Werkzeugs stets, dass das Werkzeug ausgeschaltet und der Akku abgenommen ist. Werden Ausschalten des Werkzeugs und Abnehmen des Akkus unterlassen, kann es zu schweren Verletzungen durch versehentliches Anlaufen kommen.

Entriegeln/Verriegeln des Werkzeugkopfes

Der Werkzeugkopf kann verriegelt werden. Verriegeln Sie stets den Werkzeugkopf, wenn Sie das Werkzeug nicht benutzen oder tragen.

Zum Entriegeln den Werkzeugkopf leicht niederdrücken, und den Arretierstift hineindrücken. Zum Verriegeln den Arretierstift zurückstellen, während der Werkzeugkopf niedergedrückt gehalten wird.

► **Abb.2:** 1. Arretierstift

Anbringen und Abnehmen des Akkus

⚠️ VORSICHT: Schalten Sie das Werkzeug stets aus, bevor Sie den Akku anbringen oder abnehmen.

⚠️ VORSICHT: Halten Sie das Werkzeug und den Akku beim Anbringen oder Abnehmen des Akkus sicher fest. Wenn Sie das Werkzeug und den Akku nicht sicher festhalten, können sie Ihnen aus der Hand rutschen, was zu einer Beschädigung des Werkzeugs und des Akkus und zu Körperverletzungen führen kann.

► **Abb.3:** 1. Rote Anzeige 2. Knopf 3. Akku

Ziehen Sie den Akku zum Abnehmen vom Werkzeug ab, während Sie den Knopf an der Vorderseite des Akkus verschieben.

Richten Sie zum Anbringen des Akkus dessen Führungsfeder auf die Nut im Gehäuse aus, und schieben Sie den Akku hinein. Schieben Sie ihn vollständig ein, bis er mit einem hörbaren Klicken einrastet. Falls die rote Anzeige an der Oberseite des Knopfes sichtbar ist, ist der Akku nicht vollständig verriegelt.

⚠️ VORSICHT: Schieben Sie den Akku stets bis zum Anschlag ein, bis die rote Anzeige nicht mehr sichtbar ist. Anderenfalls kann er aus dem Werkzeug herausfallen und Sie oder umstehende Personen verletzen.

⚠️ VORSICHT: Unterlassen Sie Gewaltanwendung beim Anbringen des Akkus. Falls der Akku nicht reibungslos hineingleitet, ist er nicht richtig ausgerichtet.

HINWEIS: Das Werkzeug funktioniert nicht mit nur einem Akku.

Werkzeug/Akku-Schutzsystem

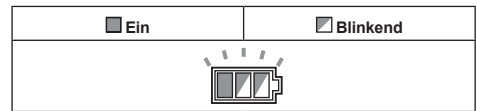
Das Werkzeug ist mit einem Werkzeug/Akku-Schutzsystem ausgestattet. Dieses System schaltet die Stromversorgung des Motors automatisch ab, um die Lebensdauer von Werkzeug und Akku zu verlängern. Das Werkzeug bleibt während des Betriebs automatisch stehen, wenn das Werkzeug oder der Akku einer der folgenden Bedingungen unterliegt. Bei manchen Bedingungen leuchten die Anzeigen auf.

Überlastschutz

Wird das Werkzeug auf eine Weise benutzt, die eine ungewöhnlich hohe Stromaufnahme bewirkt, bleibt das Werkzeug automatisch stehen. Schalten Sie in dieser Situation das Werkzeug aus, und brechen Sie die Arbeit ab, die eine Überlastung des Werkzeugs verursacht hat. Schalten Sie dann das Werkzeug wieder ein, um es neu zu starten.

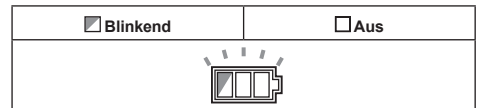
Überhitzungsschutz

Wenn das Werkzeug überhitzt wird, bleibt es automatisch stehen, und die Akku-Anzeige blinkt etwa 30 Sekunden lang. Lassen Sie das Werkzeug in dieser Situation abkühlen, bevor Sie es wieder einschalten.



Überentladungsschutz

Wenn die Akkukapazität niedrig wird, bleibt das Werkzeug automatisch stehen, und die Akku-Anzeige des erschöpften Akkus blinkt. Falls das Produkt trotz Betätigung der Schalter nicht funktioniert, entfernen Sie den erschöpften Akku vom Werkzeug, und laden Sie ihn auf.



Anzeigen der Akku-Restkapazität

► **Abb.4:** 1. Akku-Anzeige 2. Prüftaste

Drücken Sie die Prüftaste, um die Akku-Restkapazität anzuzeigen. Jedem Akku sind eigene Akku-Anzeigen zugeordnet.

























Status der Akku-Anzeige			Akku-Restkapazität
<input checked="" type="checkbox"/> Ein	<input type="checkbox"/> Aus	<input type="checkbox"/> Blinkend	
			50% bis 100%
			20% bis 50%
			0% bis 20%
			Akku aufladen

Anzeigen der Akku-Restkapazität

Nur für Akkus mit Anzeige

► **Abb.5:** 1. Anzeigelampen 2. Prüftaste

Drücken Sie die Prüftaste am Akku, um die Akku-Restkapazität anzuzeigen. Die Anzeigelampen leuchten wenige Sekunden lang auf.

Anzeigelampen			Restkapazität
Erleuchtet	Aus	Blinkend	
			75 % bis 100 %
			
			50% bis 75%
			25% bis 50%
			0% bis 25%
			Den Akku aufladen.
			Möglicherweise liegt eine Funktionsstörung im Akku vor.
			

HINWEIS: Abhängig von den Benutzungsbedingungen und der Umgebungstemperatur kann die Anzeige geringfügig von der tatsächlichen Kapazität abweichen.

Schalterfunktion

⚠️ WARNUNG: Vergewissern Sie sich vor dem Einsetzen des Akkus in das Werkzeug stets, dass der Ein-Aus-Schalter ordnungsgemäß funktioniert und beim Loslassen in die AUS-Stellung zurückkehrt.

► **Abb.6:** 1. Einschaltsperrknopf 2. Ein-Aus-Schalter

Um versehentliche Betätigung des Ein-Aus-Schalters zu verhüten, ist das Werkzeug mit einem Einschaltsperrknopf ausgestattet. Betätigen Sie zum Starten des Werkzeugs den Ein-Aus-Schalter bei gedrücktem Einschaltsperrknopf. Zum Ausschalten den Ein-Aus-Schalter loslassen.

⚠️ WARNUNG: Versuchen Sie NIEMALS, den Einschaltsperrknopf mit Klebeband oder anderen Mitteln unwirksam zu machen. Ein Schalter mit unwirksamem Einschaltsperrknopf kann zu ungewolltem Betrieb und daraus resultierenden schweren Personenschäden führen.

⚠️ WARNUNG: Betreiben Sie das Werkzeug NIEMALS, wenn es durch einfache Betätigung des Ein-Aus-Schalters eingeschaltet werden kann, ohne den Einschaltsperrknopf zu drücken. Ein reparaturbedürftiger Schalter kann zu ungewolltem Betrieb und daraus resultierenden schweren Personenschäden führen. Lassen Sie das Werkzeug von einer Makita-Kundendienststelle ordnungsgemäß reparieren, BEVOR Sie es weiter benutzen.

ANMERKUNG: Betätigen Sie den Ein-Aus-Schalter nicht gewaltsam, ohne den Einschaltsperrknopf hineinzudrücken. Dies kann zu Beschädigung des Schalters führen.

Belastungsanzeige

Die Belastungsanzeige zeigt den Belastungsgrad des Motors während des Schneidbetriebs an. Mit zunehmender Belastung des Motors nimmt die Anzahl der leuchtenden Lampen zu.

► **Abb.7:** 1. Belastungsanzeige

Überlastwarnung

Wird der Motor mit übermäßiger Belastung betrieben, blinken alle Lampen der Belastungsanzeige. Verringern Sie in diesem Fall die Belastung des Motors. Falls Sie den Motor weiter belasten, während die Belastungsanzeige blinkt, wird das Werkzeug durch den Überlastschutz nach wenigen Sekunden automatisch abgeschaltet.

HINWEIS: Falls eine übermäßige Belastung auf einmal erzeugt wird, bleibt das Werkzeug automatisch stehen, ohne dass die Belastungsanzeige blinkt.

Spannbereich zwischen Schraubstock und Führungsplatte

⚠️ VORSICHT: Vergewissern Sie sich nach der Einstellung des Spannbereichs zwischen Schraubstock und Führungsplatte, dass die Führungsplatte ordnungsgemäß gesichert ist. Unzureichende Sicherung kann zu Personenschäden führen.

Die folgenden Spannbereichseinstellungen des Schraubstocks sind verfügbar:

- 0 - 170 mm (Original-Einstellung)
- 35 - 205 mm
- 70 - 240 mm

Falls Ihre Arbeit eine andere Einstellung erfordert, ändern Sie den Abstand oder den Spannbereich nach dem folgenden Verfahren.

Lösen Sie die Schrauben an der Führungsplatte. Verschieben Sie die Führungsplatte zur gewünschten Position, und ziehen Sie dann die Schraube fest.

► **Abb.8:** 1. Schraube 2. Führungsplatte

Einstellung des Schnittwinkels

⚠️ VORSICHT: Vergewissern Sie sich nach der Einstellung des Winkels der Führungsplatte, dass die Führungsplatte ordnungsgemäß gesichert ist. Unzureichende Sicherung kann zu Personenschäden führen.

⚠️ VORSICHT: Betätigen Sie das Werkzeug nicht, wenn das Material wegen des Schnittwinkels nicht einwandfrei mit dem Schraubstock gesichert ist.

Drehen Sie den Hebel entgegen dem Uhrzeigersinn. Verschieben Sie die Führungsplatte auf den gewünschten Winkel, und ziehen Sie den Hebel vollständig fest.

► **Abb.9:** 1. Führungsplatte 2. Hebel

HINWEIS: Die Skala auf der Führungsplatte ist nur eine Grobanzeige. Um den Winkel genauer einzustellen, verwenden Sie einen Winkelmesser oder ein Geodreieck. Halten Sie den Handgriff nieder, so dass die Trennscheibe in die Grundplatte hineinragt. Stellen Sie gleichzeitig den Winkel zwischen der Führungsplatte und der Trennscheibe mit einem Winkelmesser oder Geodreieck ein.

Einstellung des Funkenflug-Leitblechs

Länderspezifisch

Das Funkenflug-Leitblech wurde werksseitig so installiert, dass seine Unterkante die Grundplatte berührt. Der Betrieb des Werkzeugs in dieser Position verursacht starken Funkenflug. Lösen Sie die Schraube, und stellen Sie das Funkenflug-Leitblech auf eine Position ein, bei welcher der Funkenflug auf ein Minimum begrenzt wird.

► **Abb.10:** 1. Schraube 2. Funkenflug-Leitblech

Elektronikfunktion

Die mit Elektronikfunktionen ausgestatteten Werkzeuge weisen das (die) folgende(n) Merkmal(e) zur Bedienungs erleichterung auf.

Sanftanlauf-Funktion

Diese Funktion gewährleistet ruckfreies Anlaufen durch Anlaufstoßunterdrückung.

MONTAGE

⚠ WARNUNG: Vergewissern Sie sich vor dem Arbeiten am Werkzeug stets, dass das Werkzeug ausgeschaltet und der Akku abgenommen ist. Das Versäumnis, das Werkzeug auszuschalten und den Akku abzunehmen, kann zu schweren Personenschäden führen.

Öffnen der Schutzhaube mit Mittelkappe

Länderspezifisch

Bei Werkzeugen mit einer Schutzhaube mit Mittelkappe lösen Sie zuerst die Klemmschraube, bevor Sie die Schutzhaube anheben.

► **Abb.11:** 1. Klemmschraube

Öffnen der Schutzhaube für europäische Vorschriften

Länderspezifisch

Bei Werkzeugen mit einer Schutzhaube für europäische Vorschriften lösen Sie zuerst die Klemmschraube, bevor Sie die Schutzhaube wie gezeigt öffnen.

► **Abb.12:** 1. Klemmschraube

► **Abb.13**

► **Abb.14**

Demontage und Montage der Trennscheibe

⚠ VORSICHT: Ziehen Sie die Schnellklemme unbedingt sicher fest. Unzureichende Sicherung kann zu schweren Verletzungen führen.

⚠ VORSICHT: Verwenden Sie immer nur den mit dem Werkzeug gelieferten korrekten Innen- und Außenflansch.

⚠ VORSICHT: Schließen Sie stets die Schutzhaube nach dem Auswechseln der Trennscheibe.

⚠ VORSICHT: Tragen Sie Schutzhandschuhe bei der Handhabung von Trennscheiben.

Heben Sie die Schutzhaube an. Drehen Sie die Schnellklemme entgegen dem Uhrzeigersinn, während Sie die Spindelarterierung niederhalten. Entfernen Sie dann die Schnellklemme, den Außenflansch und die Trennscheibe. Wenn Sie die Trennscheibe entfernen, lassen Sie den Innenflansch sowie den Ring und O-Ring angebracht.

► **Abb.15:** 1. Spindelarterierung 2. Schnellklemme

► **Abb.16:** 1. Innenflansch 2. Ring 3. O-Ring
4. Trennscheibe 5. Außenflansch
6. Schnellklemme

Zur Montage der Trennscheibe ist das Demonteverfahren umgekehrt anzuwenden. Achten Sie darauf, dass die Bohrung der Trennscheibe auf dem Ring sitzt, und dass die Schutzhaube zurückgestellt ist.

BETRIEB

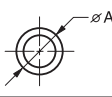
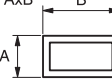
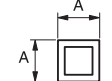

⚠ VORSICHT: Der richtige Vorschubdruck und der maximale Schnittwirkungsgrad können anhand der beim Schneiden erzeugten Funkenmenge ermittelt werden. Führen Sie den Schnitt nicht gewaltsam aus, indem Sie übermäßigen Druck auf den Handgriff ausüben. Übermäßige Druckausübung bewirkt nicht nur eine Reduzierung des Schnittwirkungsgrads und vorzeitigen Verschleiß der Trennscheibe, sondern kann auch zu einer Beschädigung von Werkzeug, Trennscheibe oder Werkstück führen.

Halten Sie den Handgriff sicher fest. Schalten Sie das Werkzeug ein, und warten Sie, bis die Trennscheibe ihre volle Drehzahl erreicht hat, bevor Sie sie sachte in den Schnitt absenken. Wenn die Trennscheibe das Werkstück berührt, drücken Sie den Handgriff allmählich nieder, um den Schnitt auszuführen. Sobald der Schnitt beendet ist, schalten Sie das Werkzeug aus, und warten Sie, bis die Trennscheibe zu einem vollständigen Stillstand gekommen ist, bevor Sie den Handgriff wieder ganz anheben.

Schnittleistung

Die maximale Schnittleistung hängt vom Schnittwinkel und der Werkstückform ab.

Max. Schnittleistung mit einer brandneuen Trennscheibe

Schnittwinkel / Werkstückform	90°	45°
	ø127 mm	ø127 mm
	115 x 130 mm 102 x 194 mm 70 x 233 mm	115 x 103 mm
	119 x 119 mm	106 x 106 mm
	137 x 137 mm	100 x 100 mm

HINWEIS: Werkstücke, die dünner als 1,6 mm sind, werden zum Schneiden mit diesem Werkzeug empfohlen.

Sicherung von Werkstücken

⚠ VORSICHT: Setzen Sie den Gewindehalter stets auf das Wellengewinde, wenn Sie das Werkstück sichern. Anderenfalls wird das Werkstück möglicherweise nicht ausreichend gesichert. Dies kann zu Herausschleudern des Werkstücks oder gefährlichem Bruch der Trennscheibe führen.

Bei angehobenem Gewindehalter kann die Schraubstockbacke schnell hinein und heraus bewegt werden. Zum Einspannen eines Werkstücks schieben Sie den Handgriff vor, bis die Schraubstockbacke das Werkstück berührt, und stellen Sie dann den Gewindehalter zurück. Drehen Sie den Handgriff im Uhrzeigersinn, bis das Werkstück einwandfrei gesichert ist.

► **Abb.17:** 1. Handgriff 2. Gewindehalter
3. Schraubstockbacke

Bei fortgeschrittener Abnutzung der Trennscheibe kann ein Distanzblock hinter das Werkstück gelegt werden, wie in der Abbildung gezeigt. Um die abgenutzte Trennscheibe wirksamer einzusetzen, sollte der Mittelpunkt des Trennscheibenumfangs zum Schneiden des Werkstücks verwendet werden. Verwenden Sie ein robustes und nicht brennbares Material für den Distanzblock.

► **Abb.18:** 1. Distanzblock

Wenn Sie Werkstücke von mehr als 85 mm Breite in einem Winkel schneiden, bringen Sie ein gerades Stück Holz (Distanzstück) von mehr als 190 mm Länge x 40 mm Breite an der Führungsplatte an, wie in der Abbildung gezeigt. Befestigen Sie dieses Distanzstück mit Schrauben in den Löchern der Führungsplatte. Vergewissern Sie sich, dass die Trennscheibe nicht das Distanzstück berührt, wenn der Werkzeugkopf niedergedrückt wird.

► **Abb.19:** 1. Führungsplatte 2. Distanzblock (über 190 mm lang x40 mm breit) 3. Werkstück (über 85 mm breit) 4. Schraubstockbacke

ANMERKUNG: Wenn Sie einen Distanzblock verwenden, montieren Sie die Führungsplatte an der Position, die dem Hals des Werkzeugkopfes am nächsten liegt.

► **Abb.20**

Wenn die Trennscheibe abgenutzt ist, heben Sie die Schnittposition an, indem Sie einen Distanzblock, der geringfügig schmaler als das Werkstück ist, so anbringen, wie in der Abbildung gezeigt. Dies trägt zu einer rationalen Nutzung der Trennscheibe bei.

► **Abb.21:** 1. Schraubstockbacke 2. Werkstückdurchmesser
3. Führungsplatte 4. Distanzblockbreite

Lange Werkstücke müssen auf beiden Seiten mit Blöcken abgestützt werden, welche die gleiche Höhe wie die Oberseite der Grundplatte haben. Verwenden Sie ein nicht brennbares Material für die Stützblöcke.

► **Abb.22:** 1. Stützblock

Tragen des Werkzeugs

Nehmen Sie die Akkus heraus, klappen Sie den Werkzeugkopf herunter, und verriegeln Sie ihn, bevor Sie das Werkzeug tragen. Halten Sie das Werkzeug zum Tragen am Handgriff.

► **Abb.23**

WARTUNG

⚠ VORSICHT: Vergewissern Sie sich vor der Durchführung von Inspektions- oder Wartungsarbeiten stets, dass das Werkzeug ausgeschaltet und der Akku abgenommen ist.

ANMERKUNG: Verwenden Sie auf keinen Fall Benzin, Waschbenzin, Verdünnern, Alkohol oder dergleichen. Solche Mittel können Verfärbung, Verformung oder Rissbildung verursachen.

Um die SICHERHEIT und ZUVERLÄSSIGKEIT dieses Produkts zu gewährleisten, sollten Reparaturen und andere Wartungs- oder Einstellarbeiten nur von Makita-Vertragswerkstätten oder Makita-Kundendienstzentren unter ausschließlicher Verwendung von Makita-Originalersatzteilen ausgeführt werden.

SONDERZUBEHÖR

⚠ VORSICHT: Die folgenden Zubehöreile oder Vorrichtungen werden für den Einsatz mit dem in dieser Anleitung beschriebenen Makita-Werkzeug empfohlen. Die Verwendung anderer Zubehöreile oder Vorrichtungen kann eine Verletzungsgefahr darstellen. Verwenden Sie Zubehöreile oder Vorrichtungen nur für ihren vorgesehenen Zweck.

Wenn Sie weitere Einzelheiten bezüglich dieser Zubehöreile benötigen, wenden Sie sich bitte an Ihre Makita-Kundendienststelle.

- Trennschleifscheiben
- Original-Makita-Akku und -Ladegerät

HINWEIS: Manche Teile in der Liste können als Standardzubehör im Werkzeugsatz enthalten sein. Sie können von Land zu Land unterschiedlich sein.

DATI TECNICI

Modello:		DLW140
Diametro disco		355 mm
Diametro foro		25,4 mm
Spessore massimo disco		3 mm
Velocità a vuoto		3.800 min ⁻¹
Tensione nominale		36 V C.C.
Dimensioni (L x P x A)	Con protezione di sicurezza di tipo europeo	537 mm x 290 mm x 640 mm
	Con protezione di sicurezza diversa dal tipo europeo	537 mm x 280 mm x 640 mm
	Con protezione di sicurezza del tipo con calotta centrale	537 mm x 280 mm x 640 mm
Peso netto	Con protezione di sicurezza di tipo europeo	17,2 - 17,8 kg
	Con protezione di sicurezza diversa dal tipo europeo	15,6 - 16,3 kg
	Con protezione di sicurezza del tipo con calotta centrale	15,4 - 16,0 kg

- A causa del nostro programma continuativo di ricerca e sviluppo, i dati tecnici sono soggetti a modifiche senza preavviso.
- I dati tecnici possono variare da nazione a nazione.
- Il peso può variare a seconda dell'accessorio o degli accessori, inclusa la cartuccia della batteria. La combinazione più leggera e quella più pesante, secondo la procedura EPTA 01/2014, sono indicate nella tabella.
- La forma e il peso variano a seconda dei dati tecnici, che variano da nazione a nazione.

Cartuccia della batteria e caricabatterie applicabili

Cartuccia della batteria	BL1815N / BL1820 / BL1820B / BL1830 / BL1830B / BL1840 / BL1840B / BL1850 / BL1850B / BL1860B
Caricabatterie	DC18RC / DC18RD / DC18RE / DC18SD / DC18SE / DC18SF

- Alcune cartucce delle batterie e alcuni caricabatterie elencati sopra potrebbero non essere disponibili a seconda della propria area geografica di residenza.

⚠AVVERTIMENTO: Utilizzare solo le cartucce delle batterie e i caricabatterie elencati sopra. L'utilizzo di altre cartucce delle batterie e di altri caricabatterie potrebbe causare lesioni personali e/o un incendio.

Utilizzo previsto

L'utensile è destinato al taglio di materiali ferrosi mediante l'uso di un disco da taglio abrasivo appropriato. Attenersi a tutte le leggi e le normative relative alle polveri e alla salute e alla sicurezza dell'area di lavoro della propria nazione.

Rumore

Livello tipico di rumore pesato A determinato in base allo standard EN62841-3-10:
 Livello di pressione sonora (L_{pA}) : 103 dB (A)
 Livello di potenza sonora (L_{WA}) : 115 dB (A)
 Incertezza (K): 3 dB (A)

⚠AVVERTIMENTO: Indossare protezioni per le orecchie.

Vibrazioni

Valore totale delle vibrazioni (somma vettoriale triassiale) determinato in base allo standard EN62841-3-10:
 Emissione di vibrazioni (a_h) : 2,5 m/s²
 Incertezza (K): 1,5 m/s²

NOTA: Il valore di emissione delle vibrazioni dichiarato è stato misurato in conformità al metodo standard di verifica, e può essere utilizzato per confrontare un utensile con un altro.

NOTA: Il valore di emissione delle vibrazioni dichiarato può venire utilizzato anche per una valutazione preliminare dell'esposizione.

⚠AVVERTIMENTO: L'emissione delle vibrazioni durante l'utilizzo effettivo dell'utensile elettrico può variare rispetto al valore di emissione dichiarato, a seconda dei modi in cui viene utilizzato l'utensile.

⚠AVVERTIMENTO: Accertarsi di identificare le misure di sicurezza per la protezione dell'operatore basate sulla stima dell'esposizione nelle condizioni effettive di utilizzo (tenendo presente tutte le parti del ciclo operativo, ad esempio le volte in cui l'utensile viene spento e quando gira a vuoto, oltre al tempo di attivazione).

Dichiarazione di conformità CE

Solo per i paesi europei

La dichiarazione di conformità CE è inclusa nell'Allegato A al presente manuale di istruzioni.

AVVERTENZE DI SICUREZZA

Avvertenze generali relative alla sicurezza dell'utensile elettrico

⚠AVVERTIMENTO: Leggere tutte le avvertenze di sicurezza, le istruzioni, le illustrazioni e i dati tecnici forniti con il presente utensile elettrico. La mancata osservanza di tutte le istruzioni elencate di seguito potrebbe risultare in scosse elettriche, incendi e/o gravi lesioni personali.

Conservare tutte le avvertenze e le istruzioni come riferimento futuro.

Il termine "utensile elettrico" nelle avvertenze si riferisce sia all'utensile elettrico (cablato) nel funzionamento alimentato da rete elettrica che all'utensile elettrico (a batteria) nel funzionamento alimentato a batteria.

Avvertenze di sicurezza relative alla troncatrice

1. **Posizionare se stessi e gli astanti lontano dal piano del disco in rotazione.** La protezione contribuisce a proteggere l'operatore da frammenti di disco rotti e dal contatto accidentale con il disco.
2. **Utilizzare solo dischi da taglio rinforzati a legante per l'utensile elettrico.** La semplice possibilità di montare un accessorio sull'utensile elettrico non garantisce un funzionamento sicuro.
3. **La velocità nominale dell'accessorio deve essere almeno pari alla velocità massima indicata sull'utensile elettrico.** Gli accessori che girano più velocemente della loro velocità nominale possono spaccarsi, e i frammenti possono venire scagliati via.
4. **Utilizzare i dischi solo per le applicazioni consigliate. Ad esempio: non molare con la superficie laterale di un disco da taglio.** I dischi da taglio abrasivi sono destinati alla molatura periferica, e le forze laterali applicate a questi dischi potrebbero farli spaccare.

5. **Utilizzare sempre flange per disco non danneggiate che siano del diametro appropriato al disco scelto.** Le flange per disco appropriate supportano il disco, riducendo pertanto la possibilità di rottura del disco stesso.
6. **Il diametro esterno e lo spessore dell'accessorio utilizzato devono rientrare nella capacità nominale dell'utensile elettrico utilizzato.** Non è possibile proteggere o controllare in modo adeguato accessori di dimensioni errate.
7. **La dimensione per l'albero di dischi e flange deve corrispondere correttamente al mandrino dell'utensile elettrico.** Dischi e flange con fori per l'albero che non corrispondano agli attacchi di montaggio dell'utensile elettrico funzionano in modo sbilanciato, vibrano eccessivamente e potrebbero causare la perdita di controllo.
8. **Non utilizzare dischi danneggiati. Prima di ciascun utilizzo, ispezionare i dischi e verificare l'eventuale presenza di scheggiature e spaccature.** Qualora l'utensile elettrico o il disco vengano fatti cadere, verificare l'eventuale presenza di danni o installare un disco non danneggiato. Dopo aver ispezionato e installato il disco, posizionare se stessi e gli astanti lontano dal piano del disco in rotazione, quindi far funzionare l'utensile elettrico alla massima velocità a vuoto per un minuto. I dischi danneggiati in genere si rompono durante questo periodo di prova.
9. **Indossare un'attrezzatura di protezione personale. A seconda dell'applicazione, utilizzare una visiera protettiva, occhiali oppure occhiali di sicurezza. A seconda delle esigenze, indossare una mascherina antipolvere, protezioni per l'udito, guanti e un grembiule da officina in grado di arrestare piccoli frammenti abrasivi o dei pezzi in lavorazione.** La protezione per gli occhi deve essere in grado di arrestare detriti volanti generati da svariate operazioni. La mascherina antipolvere o il respiratore devono essere in grado di filtrare le particelle generate dall'operazione in corso. L'esposizione prolungata al rumore ad alta intensità potrebbe causare la perdita dell'udito.
10. **Tenere gli astanti a distanza di sicurezza dall'area di lavoro. Chiunque entri nell'area di lavoro deve indossare l'attrezzatura di protezione personale.** I frammenti del pezzo in lavorazione o di un disco rotto potrebbero venire scagliati via e causare lesioni personali a una distanza superiore alle immediate vicinanze dell'operazione in corso.
11. **Pulire regolarmente le aperture di ventilazione dell'utensile elettrico.** La ventola del motore può attirare le polveri all'interno dell'alloggiamento, e l'accumulo eccessivo di polvere metallica potrebbe causare pericoli di natura elettrica.
12. **Non far funzionare l'utensile elettrico in prossimità di materiali infiammabili. Non far funzionare l'utensile elettrico mentre è appoggiato su una superficie combustibile, ad esempio il legno.** Le scintille potrebbero incendiare materiali di questo tipo.
13. **Non utilizzare accessori che richiedano refrigeranti liquidi.** L'impiego di acqua o di altri refrigeranti liquidi potrebbe causare la folgorazione o scosse elettriche.

Contraccolpo e relative avvertenze

Il contraccolpo è una reazione improvvisa a un disco in rotazione che resti incastrato o impigliato. Un disco in rotazione che resti incastrato o impigliato subisce un rapido stallo che, a sua volta, spinge l'unità da taglio fuori controllo in alto, verso l'operatore. Ad esempio, qualora un disco abrasivo resti incastrato o impigliato nel pezzo in lavorazione, il filo del disco che entra nel punto di inceppamento potrebbe scavare nella superficie del materiale, causando la fuoriuscita o il contraccolpo del disco verso l'esterno. In queste condizioni, i dischi abrasivi potrebbero anche rompersi. Il contraccolpo è il risultato dell'uso improprio dell'utensile elettrico e/o di procedure o condizioni operative errate, e può essere evitato adottando le precauzioni appropriate indicate di seguito.

1. **Mantenere una salda presa sull'utensile elettrico e posizionare il corpo e il braccio in modo da poter resistere alle forze dei contraccolpi.** L'operatore può controllare le forze dei contraccolpi verso l'alto, se adotta le precauzioni appropriate.
2. **Non posizionare il proprio corpo in linea con il disco in rotazione.** Qualora si verifichi un contraccolpo, quest'ultimo lancia l'unità da taglio in alto verso l'operatore.
3. **Non montare catene per seghe, lame da intaglio per legno, dischi diamantati a settori con distanza periferica tra i settori superiore a 10 millimetri o lame dentate.** Queste lame causano frequenti contraccolpi e perdite di controllo.
4. **Non spingere forzatamente il disco da taglio né applicare una pressione eccessiva. Non tentare di realizzare tagli eccessivamente profondi.** La sollecitazione eccessiva del disco incrementa il carico e la suscettibilità alla torsione o all'inceppamento del disco nel taglio, nonché la possibilità di contraccolpi o di rottura del disco.
5. **Quando il disco si sta inceppando o quando si intende interrompere il taglio per un qualsiasi motivo, spegnere l'utensile elettrico e mantenerlo immobile fino all'arresto completo del disco. Non tentare mai di rimuovere il disco dal taglio mentre il disco è in movimento, o si potrebbe verificare un contraccolpo.** Investigare e adottare misure correttive per eliminare la causa dell'inceppamento del disco.
6. **Non riavviare l'operazione di taglio all'interno del pezzo in lavorazione. Lasciare che il disco raggiunga la piena velocità e rientrare con attenzione nel taglio.** Qualora si riavvi l'utensile elettrico all'interno del pezzo in lavorazione, il disco potrebbe incepparsi, rialzarsi o dare un contraccolpo.
7. **Supportare qualsiasi pezzo in lavorazione di grandi dimensioni, per ridurre al minimo il rischio che il disco resti incastrato o causi contraccolpi.** I pezzi in lavorazione di grandi dimensioni tendono a curvarsi sotto il proprio peso. I supporti devono essere piazzati sotto il pezzo in lavorazione, vicini alla linea di taglio e in prossimità del bordo del pezzo in lavorazione, da entrambi i lati del disco.

Avvertenze di sicurezza aggiuntive

1. **Fare attenzione alle scintille sprigionate durante l'uso.** Potrebbero causare lesioni personali o incendiare materiali combustibili.
2. **Fissare il pezzo in lavorazione. Utilizzare dei morsetti o una morsa per tenere fermo il pezzo in lavorazione, laddove sia praticabile.** Questa procedura è più sicura che utilizzare le mani, e consente di tenere libere entrambe le mani per l'utilizzo dell'utensile.

3. **Serrare con cura il disco da taglio.**
4. **Fare attenzione a non danneggiare il mandrino, le flange (soprattutto la superficie di installazione) o il bullone; in caso contrario, il disco da taglio stesso potrebbe rompersi.**
5. **Mantenere le protezioni in sede e in buone condizioni operative.**
6. **Tenere saldamente il manico.**
7. **Tenere le mani lontane dalle parti girevoli.**
8. **Prima di attivare l'interruttore, accertarsi che il disco da taglio non sia in contatto con il pezzo in lavorazione.**
9. **Prima di ciascun utilizzo, osservare se siano presenti fluttuazioni o vibrazioni eccessive, che potrebbero essere causate da un'installazione errata o da un disco bilanciato male.**
10. **Rimuovere dall'area il materiale o i detriti che potrebbero essere incendiati dalle scintille. Inoltre, accertarsi che non siano presenti altre persone sul percorso delle scintille. Tenere sempre a portata di mano un estintore carico appropriato.**
11. **Qualora durante l'uso il disco da taglio si arresti, emetta un rumore inusuale o inizi a vibrare, spegnere immediatamente l'utensile.**
12. **Spegnere sempre l'utensile e attendere che il disco da taglio si arresti completamente, prima di rimuovere o fissare un pezzo in lavorazione, regolare una morsa o cambiare la posizione di lavoro, l'angolazione del disco o il disco da taglio stesso.**
13. **Non toccare il pezzo in lavorazione subito dopo l'operazione; la sua temperatura è estremamente elevata e potrebbe ustionare la pelle.**
14. **Conservate i dischi solo in un luogo asciutto.**

CONSERVARE LE PRESENTI ISTRUZIONI.

Istruzioni di sicurezza importanti per la cartuccia della batteria

1. **Prima di utilizzare la cartuccia della batteria, leggere tutte le istruzioni e le avvertenze riportate (1) sul caricabatteria, (2) sulla batteria e (3) sul prodotto che utilizza la batteria.**
2. **Non smontare la cartuccia della batteria.**
3. **Qualora il tempo di utilizzo si riduca eccessivamente, interrompere immediatamente l'utilizzo dell'utensile. In caso contrario, si può incorrere nel rischio di surriscaldamento, possibili ustioni e persino un'esplosione.**
4. **Qualora l'elettrolita entri in contatto con gli occhi, sciacquarli con acqua pulita e richiedere immediatamente assistenza medica. Questa eventualità può risultare nella perdita della vista.**
5. **Non cortocircuitare la cartuccia della batteria:**
 - (1) **Non toccare i terminali con alcun materiale conduttivo.**
 - (2) **Evitare di conservare la cartuccia della batteria in un contenitore insieme ad altri oggetti metallici quali chiodi, monete, e così via.**
 - (3) **Non esporre la cartuccia della batteria all'acqua o alla pioggia.**

Un cortocircuito della batteria può causare un grande flusso di corrente, un surriscaldamento, possibili ustioni e persino un guasto.

6. Non conservare l'utensile e la cartuccia della batteria in ubicazioni in cui la temperatura possa raggiungere o superare i 50°C.
7. Non incenerire la cartuccia della batteria anche qualora sia gravemente danneggiata o completamente esaurita. La cartuccia della batteria può esplodere se a contatto con il fuoco.
8. Fare attenzione a non far cadere e a non colpire la batteria.
9. Non utilizzare una batteria danneggiata.
10. Le batterie a ioni di litio contenute sono soggette ai requisiti del regolamento sul trasporto di merci pericolose (Dangerous Goods Legislation).
Per trasporti commerciali, ad esempio da parte di terzi o spedizionieri, è necessario osservare dei requisiti speciali sull'imballaggio e sull'etichetta. Per la preparazione dell'articolo da spedire, è richiesta la consulenza di un esperto in materiali pericolosi. Attenersi anche alle normative nazionali, che potrebbero essere più dettagliate. Nastrare o coprire i contatti aperti e imballare la batteria in modo tale che non si possa muovere liberamente all'interno dell'imballaggio.
11. Attenersi alle normative locali relative allo smaltimento della batteria.
12. Utilizzare le batterie esclusivamente con i prodotti specificati da Makita. L'installazione delle batterie in prodotti non compatibili potrebbe risultare in incendi, calore eccessivo, esplosioni o perdite di liquido elettrolitico.

CONSERVARE LE PRESENTI ISTRUZIONI.

⚠ATTENZIONE: Utilizzare solo batterie originali Makita. L'utilizzo di batterie Makita non originali, o di batterie che siano state alterate, potrebbe risultare nello scoppio della batteria, causando incendi, lesioni personali e danni. Inoltre, ciò potrebbe invalidare la garanzia Makita per l'utensile e il caricabatterie Makita.

Suggerimenti per preservare la durata massima della batteria

1. Caricare la cartuccia della batteria prima che si scarichi completamente. Smettere sempre di utilizzare l'utensile e caricare la cartuccia della batteria quando si nota che la potenza dell'utensile è diminuita.
2. Non ricaricare mai una cartuccia della batteria completamente carica. La sovraccarica riduce la vita utile della batteria.
3. Caricare la cartuccia della batteria a una temperatura ambiente compresa tra 10°C e 40°C. Lasciar raffreddare una cartuccia della batteria prima di caricarla.
4. Caricare la cartuccia della batteria se non la si è utilizzata per un periodo di tempo prolungato (più di sei mesi).

INSTALLAZIONE

⚠AVVERTIMENTO: Questo utensile produce scintille durante il taglio di un pezzo in lavorazione. Non installare questo utensile in un'ubicazione in cui materiali infiammabili e/o esplosivi possano venire incendiati dalle scintille sprigionate dall'utensile. Inoltre, accertarsi che non siano presenti materiali di questo tipo in prossimità dell'utensile prima di iniziare l'operazione.

Fissaggio della base

Questo utensile deve essere imbullonato con due bulloni su una superficie piana e stabile utilizzando i fori per bulloni forniti nella base dell'utensile. Questo contribuisce a evitare il rovesciamento dell'utensile e potenziali lesioni personali.

► Fig.1: 1. Fori per bulloni 2. Base

DESCRIZIONE DELLE FUNZIONI

⚠AVVERTIMENTO: Accertarsi sempre che l'utensile sia spento e di aver rimosso la batteria prima di regolare o di controllare le funzioni dell'utensile. Qualora non si spenga l'utensile e non si rimuova la batteria, si potrebbero verificare gravi lesioni personali causate dal suo avvio accidentale.

Sblocco/blocco della testa dell'utensile

È possibile bloccare la testa dell'utensile. Bloccare sempre la testa dell'utensile quando non è in uso o durante il trasporto.

Per sbloccare la testa dell'utensile, premerla leggermente verso il basso e premere il perno di blocco. Per bloccarla, riportare il perno di blocco nella posizione precedente mentre si tiene abbassata la testa dell'utensile.

► Fig.2: 1. Perno di blocco

Installazione o rimozione della cartuccia della batteria

⚠ATTENZIONE: Spegnerne sempre l'utensile prima di installare o rimuovere la cartuccia della batteria.

⚠ATTENZIONE: Mantenere saldamente lo strumento e la batteria quando si intende installare o rimuovere la cartuccia della batteria. Qualora non si mantengano saldamente lo strumento e la cartuccia della batteria, questi ultimi potrebbero scivolare dalle mani, con la possibilità di causare un danneggiamento dello strumento e della cartuccia della batteria, nonché una lesione personale.

► Fig.3: 1. Indicatore rosso 2. Pulsante 3. Cartuccia della batteria

Per rimuovere la cartuccia della batteria, farla scorrere via dall'utensile mentre si fa scorrere allo stesso tempo il pulsante sulla parte anteriore della cartuccia.

Per installare la cartuccia della batteria, allineare l'appendice della batteria con la scanalatura nell'alloggiamento e farla scivolare in sede. Inserirla completamente fino al suo blocco in sede con un leggero scatto. Se è possibile vedere l'indicatore rosso sul lato superiore del pulsante, la batteria non è bloccata completamente.

⚠ATTENZIONE: Installare sempre fino in fondo la cartuccia della batteria, fino a quando l'indicatore rosso non è più visibile. In caso contrario, la batteria potrebbe cadere accidentalmente dall'utensile, causando lesioni personali all'operatore o a chi gli è vicino.

⚠ATTENZIONE: Non installare forzatamente la cartuccia della batteria. Qualora la batteria non si inserisca scorrendo agevolmente, vuol dire che non viene inserita correttamente.

NOTA: Lo strumento non funziona con una sola cartuccia della batteria.

Sistema di protezione strumento/batteria


Lo strumento è dotato di un sistema di protezione strumento/batteria. Questo sistema interrompe automaticamente l'alimentazione al motore, per prolungare la vita utile dello strumento e della batteria. L'utensile si arresta automaticamente durante il funzionamento, qualora l'utensile stesso o la batteria vengano a trovarsi in una delle condizioni seguenti: In alcune condizioni, gli indicatori si illuminano.

Protezione dal sovraccarico

Quando si utilizza l'utensile in modo da causarne un assorbimento di corrente elevato in modo anormale, l'utensile si arresta automaticamente. In questa circostanza, spegnere l'utensile e interrompere l'applicazione che ha causato il sovraccarico dell'utensile. Quindi, accendere l'utensile per riavviarlo.


Protezione dal surriscaldamento

Quando l'utensile è surriscaldato si arresta automaticamente, e l'indicatore della batteria lampeggia per circa 60 secondi. In questa circostanza, lasciar raffreddare l'utensile prima di riaccenderlo.

<input checked="" type="checkbox"/> Acceso	<input checked="" type="checkbox"/> Lampeggiante
	

Protezione dalla sovrascarica








Quando la carica delle batterie diventa bassa, l'utensile si arresta automaticamente, e l'indicatore della batteria relativo alla cartuccia della batteria scarica lampeggia. Qualora il prodotto non funzioni anche quando si attivano gli interruttori, rimuovere la cartuccia della batteria scarica dall'utensile e caricarla.

<input checked="" type="checkbox"/> Lampeggiante	<input type="checkbox"/> Spento
	

Indicazione della carica residua della batteria

► Fig.4: 1. Indicatore della batteria 2. Pulsante di controllo

Premere il pulsante di controllo per indicare le cariche residue delle batterie. Gli indicatori delle batterie corrispondono alle rispettive batterie.









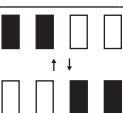
Stato dell'indicatore della batteria			Carica residua della batteria
 Acceso	 Spento	 Lampeggiante	
			Dal 50% al 100%
			Dal 20% al 50%
			Dallo 0% al 20%
			Caricare la batteria

Indicazione della carica residua della batteria

Solo per cartucce delle batterie dotate di indicatore

► Fig.5: 1. Indicatori luminosi 2. Pulsante di controllo

Premere il pulsante di controllo sulla cartuccia della batteria per indicare la carica residua della batteria. Gli indicatori luminosi si illuminano per alcuni secondi.

Indicatori luminosi			Carica residua
 Illuminato	 Spento	 Lampeggiante	
			Dal 75% al 100%
			Dal 50% al 75%
			Dal 25% al 50%
			Dallo 0% al 25%
			Caricare la batteria.
			La batteria potrebbe essersi guastata.

NOTA: A seconda delle condizioni d'uso e della temperatura ambiente, l'indicazione potrebbe variare leggermente rispetto alla carica effettiva.

Funzionamento dell'interruttore

⚠AVVERTIMENTO: Prima di inserire la cartuccia della batteria nell'utensile, controllare sempre che l'interruttore a grilletto funzioni correttamente e torni sulla posizione "OFF" quando viene rilasciato.

► Fig.6: 1. Pulsante di sblocco 2. Interruttore a grilletto

L'utensile è dotato di un pulsante di sblocco, per evitare di premere accidentalmente l'interruttore a grilletto. Per avviare l'utensile, premere il pulsante di sblocco e premere l'interruttore a grilletto. Rilasciare l'interruttore a grilletto per arrestarlo.

⚠AVVERTIMENTO: Non rendere MAI inefficace il pulsante di sblocco tenendolo premuto con nastro adesivo o in altri modi. Un interruttore con un pulsante di sblocco che sia stato reso inefficace potrebbe risultare in un funzionamento accidentale e in gravi lesioni personali.

⚠AVVERTIMENTO: Non utilizzare MAI l'utensile qualora si avvii semplicemente premendo l'interruttore a grilletto senza tenere premuto il pulsante di sblocco. Un interruttore che necessiti di riparazione potrebbe risultare in un funzionamento accidentale e in gravi lesioni personali. Riportare l'utensile a un centro di assistenza Makita per le riparazioni necessarie PRIMA di un ulteriore utilizzo.

AVVISO: Non premere con forza l'interruttore a grilletto senza aver fatto rientrare il pulsante di sblocco premendolo. In caso contrario, si potrebbe causare la rottura dell'interruttore.

Indicatore dello stato del carico

L'indicatore dello stato di carico mostra il livello del carico sul motore durante l'operazione di taglio. Il numero di indicatori luminosi accesi aumenta di pari passo con l'incremento del carico sul motore.

► Fig.7: 1. Indicatore dello stato del carico

Allarme di sovraccarico

Qualora il motore venga fatto funzionare con un carico eccessivo, tutti gli indicatori luminosi dell'indicatore dello stato del carico lampeggiano. In questo caso, ridurre il carico sul motore. Qualora si continui a caricare il motore mentre l'indicatore dello stato del carico sta lampeggiando, l'utensile si arresta automaticamente dopo pochi secondi a causa della protezione dal sovraccarico.

NOTA: Qualora venga generato un carico eccessivo in modo improvviso, l'utensile si arresta automaticamente senza far lampeggiare l'indicatore dello stato del carico.

Intervallo tra la morsa e la piastra guida

⚠ATTENZIONE: Dopo aver regolato l'intervallo tra la morsa e la piastra guida, accertarsi che quest'ultima sia fissata saldamente. Un serraggio insufficiente potrebbe risultare in lesioni personali.

Sono possibili le regolazioni dell'intervallo della morsa seguenti:

- 0 - 170 mm (impostazione originale)
- 35 - 205 mm
- 70 - 240 mm

Qualora il lavoro richieda un'impostazione diversa, procedere nel modo seguente per modificare la spaziatura o l'intervallo.

Allentare le vite sulla piastra guida. Spostare la piastra guida sulla posizione desiderata, quindi serrare le vite.

► Fig.8: 1. Vite 2. Piastra guida

Regolazione dell'angolo di taglio

⚠ATTENZIONE: Dopo aver regolato l'angolazione della piastra guida, accertarsi che quest'ultima sia fissata saldamente. Un serraggio insufficiente potrebbe risultare in lesioni personali.

⚠ATTENZIONE: Non utilizzare l'utensile quando il materiale non è saldamente fissato con la morsa a causa dell'angolo di taglio.

Rotare la leva in senso antiorario. Spostare la piastra guida sull'angolazione desiderata, quindi serrare completamente la leva.

► Fig.9: 1. Piastra guida 2. Leva

NOTA: La scala sulla piastra guida è solo un'indicazione approssimativa. Per un angolazione più accurata, utilizzare un goniometro o un righello triangolare, utilizzare un goniometro o un righello triangolare. Mantenere abbassato il manico in modo che il disco da taglio si allunghi nella base. Allo stesso tempo, regolare l'angolo tra la piastra guida e il disco da taglio con un goniometro o un righello triangolare.

Regolazione del parascintille

Specifica in base alla nazione

Il parascintille viene installato in fabbrica con il suo bordo inferiore a contatto con la base. Facendo funzionare l'utensile in questa posizione vengono sprigionate molte scintille nell'area circostante. Allentare le vite e regolare il parascintille su una posizione che sprigioni la minor quantità possibile di scintille nell'area circostante.

► Fig.10: 1. Vite 2. Parascintille

Funzione elettronica

Gli utensili dotati di funzione elettronica sono di semplice utilizzo, grazie alla caratteristica o alle caratteristiche seguenti.

Funzione di avvio morbido

Avvio morbido, grazie alla soppressione dell'impatto di avvio.

MONTAGGIO

⚠AVVERTIMENTO: Accertarsi sempre che l'utensile sia spento e che la batteria sia stata rimossa, prima di qualsiasi intervento sull'utensile. Qualora l'utensile non venga spento e la batteria non venga rimossa, potrebbero verificarsi gravi lesioni personali.

Apertura della protezione di sicurezza del tipo con calotta centrale

Specifica in base alla nazione

Per gli utensili dotati di protezione di sicurezza del tipo con calotta centrale, innanzitutto allentare la vite di bloccaggio, quindi sollevare la protezione.

► Fig.11: 1. Vite di bloccaggio

Apertura della protezione di sicurezza di tipo europeo

Specifica in base alla nazione

Per gli utensili dotati di protezione di sicurezza di tipo europeo, innanzitutto allentare la vite di bloccaggio, quindi aprire la protezione come indicato nella figura.

► Fig.12: 1. Vite di bloccaggio

► Fig.13

► Fig.14

Rimozione o installazione del disco da taglio

⚠ATTENZIONE: Accertarsi di serrare saldamente il morsetto che non richiede utensili. Un serraggio insufficiente potrebbe risultare in gravi lesioni personali.

⚠ATTENZIONE: Utilizzare sempre esclusivamente le flange interna ed esterna corrette in dotazione con questo utensile.

⚠ATTENZIONE: Abbassare sempre la protezione di sicurezza dopo la sostituzione del disco da taglio.

⚠ATTENZIONE: Indossare i guanti quando si maneggiano i dischi.

Sollevare la protezione di sicurezza. Ruotare il morsetto che non richiede utensili in senso antiorario mentre si tiene premuto il blocco albero. Quindi, rimuovere il morsetto che non richiede utensili, la flangia esterna e il disco da taglio. Quando si intende rimuovere il disco da taglio, non rimuovere la flangia interna né l'anello e la guarnizione circolare.

► Fig.15: 1. Blocco albero 2. Morsetto che non richiede utensili

► Fig.16: 1. Flangia interna 2. Anello 3. Guarnizione circolare 4. Disco da taglio 5. Flangia esterna 6. Morsetto che non richiede utensili

Per installare il disco da taglio, seguire la procedura di rimozione al contrario. Accertarsi di inserire il foro del disco da taglio nell'anello e rimettere a posto la protezione di sicurezza.

FUNZIONAMENTO


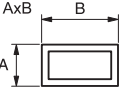
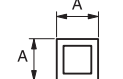

⚠ATTENZIONE: È possibile stabilire la pressione appropriata sul manico durante il taglio e l'efficienza massima di taglio in base alla quantità di scintille prodotte durante il taglio. Non forzare il taglio applicando una pressione eccessiva sul manico. Ne potrebbe conseguire un'efficienza di taglio ridotta, l'usura prematura del disco, nonché un possibile danneggiamento dell'utensile, del disco da taglio o del pezzo in lavorazione.

Tenere saldamente la maniglia. Accendere l'utensile e attendere che il disco da taglio abbia raggiunto la piena velocità, prima di abbassarlo delicatamente nel taglio. Quando il disco da taglio entra in contatto con il pezzo in lavorazione, fare gradualmente pressione sulla maniglia per eseguire il taglio. Al completamento del taglio, spegnere l'utensile e attendere l'arresto completo del disco da taglio prima di riportare la maniglia sulla posizione completamente rialzata.

Capacità di taglio

La capacità massima di taglio varia a seconda dell'angolo di taglio e della forma del pezzo in lavorazione.

Capacità max di taglio con un disco da taglio nuovo

Angolo di taglio / Forma del pezzo in lavorazione	90°	45°
	ø127 mm	ø127 mm
	115 x 130 mm 102 x 194 mm 70 x 233 mm	115 x 103 mm
	119 x 119 mm	106 x 106 mm
	137 x 137 mm	100 x 100 mm

NOTA: Per il taglio con questo utensile, si consigliano pezzi in lavorazione di spessore inferiore a 1,6 mm.

Fissaggio del pezzo in lavorazione

⚠ATTENZIONE: Posizionare sempre il fermo per filettatura sui filetti dell'albero quando si fissa il pezzo in lavorazione. La mancata osservanza di questa istruzione potrebbe risultare in un fissaggio insufficiente del pezzo in lavorazione. Questo potrebbe causare l'espulsione del pezzo in lavorazione o una pericolosa rottura del disco da taglio.

Mentre il fermo per filettatura è sollevato, è possibile spostare rapidamente la piastra morsa verso l'interno e l'esterno. Per tenere fermo un pezzo in lavorazione, spingere la maniglia della morsa fino a quando la piastra morsa entra in contatto con il pezzo in lavorazione, quindi riapplicare il fermo per filettatura. Ruotare la maniglia in senso orario fino a quando il pezzo in lavorazione viene mantenuto in posizione saldamente.

► Fig.17: 1. Maniglia 2. Fermo per filettatura
3. Piastra morsa

Quando il disco da taglio si è usurato notevolmente, posizionare un blocco distanziatore dietro il pezzo in lavorazione, come mostrato nella figura. È possibile utilizzare con maggiore efficienza il disco usurato utilizzando il punto mediano sulla periferia del disco per tagliare il pezzo in lavorazione. Come blocco distanziatore, utilizzare un materiale robusto e non infiammabile.

► Fig.18: 1. Blocco distanziatore

Quando si intende tagliare ad angolo pezzi in lavorazione di larghezza superiore a 85 mm, applicare alla piastra guida un pezzo di legno diritto (distanziatore) di dimensioni superiori a 190 mm di lunghezza x 40 mm di larghezza, come mostrato nella figura. Applicare questo distanziatore con delle viti attraverso i fori nella piastra guida. Accertarsi che il disco da taglio non sia in contatto con il distanziatore, quando si preme verso il basso la testa dell'utensile.

► Fig.19: 1. Piastra guida 2. Blocco distanziatore (di dimensioni superiori a 190 mm di lunghezza x 40 mm di larghezza) 3. Pezzo in lavorazione (di larghezza superiore a 85 mm)
4. Piastra morsa

AVVISO: Quando si intende utilizzare un blocco distanziatore, installare la piastra guida nella posizione più vicina al collo della testa dell'utensile.

► Fig.20

Quando il disco da taglio si è usurato, sollevare la posizione di taglio inserendo un blocco distanziatore che sia leggermente più stretto del pezzo in lavorazione, come mostrato nella figura. Ciò contribuisce a un utilizzo economico del disco da taglio.

► Fig.21: 1. Piastra morsa 2. Diametro del pezzo in lavorazione 3. Piastra guida 4. Larghezza del blocco distanziatore

I pezzi lunghi devono essere supportati ad entrambi i lati con dei blocchi, in modo da essere a livello con la parte superiore della base. Per i blocchi di supporto, utilizzare materiale non infiammabile.

► Fig.22: 1. Blocco di supporto

Trasporto dell'utensile

Prima del trasporto, rimuovere le batterie e ripiegare verso il basso la testa dell'utensile, quindi bloccarla. Tenere l'utensile per il manico durante il trasporto.

► Fig.23

MANUTENZIONE

⚠ATTENZIONE: Accertarsi sempre che l'utensile sia spento e che la cartuccia della batteria sia stata rimossa prima di tentare di eseguire interventi di ispezione o manutenzione.

AVVISO: Non utilizzare mai benzina, benzene, solventi, alcol o altre sostanze simili. In caso contrario, si potrebbero causare scolorimenti, deformazioni o crepe.

Per preservare la SICUREZZA e l'AFFIDABILITÀ del prodotto, le riparazioni e qualsiasi altro intervento di manutenzione e di regolazione devono essere eseguiti da un centro di assistenza autorizzato Makita, utilizzando sempre ricambi Makita.

ACCESSORI OPZIONALI

⚠ATTENZIONE: Questi accessori o componenti aggiuntivi sono consigliati per l'uso con l'utensile Makita specificato nel presente manuale.

L'impiego di altri accessori o componenti aggiuntivi può costituire un rischio di lesioni alle persone.

Utilizzare gli accessori o i componenti aggiuntivi solo per il loro scopo prefissato.

Per ottenere ulteriori dettagli relativamente a questi accessori, rivolgersi a un centro di assistenza Makita.

- Dischi da taglio abrasivi
- Batteria e caricabatterie originali Makita

NOTA: Alcuni articoli nell'elenco potrebbero essere inclusi nell'imballaggio dell'utensile come accessori standard. Tali articoli potrebbero variare da nazione a nazione.

TECHNISCHE GEGEVENS

Model:		DLW140
Diameter van schijf		355 mm
Gatdiameter		25,4 mm
Max. schijfdikte		3 mm
Nullasttoerental		3.800 min ⁻¹
Nominale spanning		36 V gelijkstroom
Afmetingen (l x b x h)	Met Europees type veiligheidskap	537 mm x 290 mm x 640 mm
	Met andere dan Europees type veiligheidskap	537 mm x 280 mm x 640 mm
	Met middenkap-type veiligheidskap	537 mm x 280 mm x 640 mm
Nettogewicht	Met Europees type veiligheidskap	17,2 - 17,8 kg
	Met andere dan Europees type veiligheidskap	15,6 - 16,3 kg
	Met middenkap-type veiligheidskap	15,4 - 16,0 kg

- In verband met ononderbroken research en ontwikkeling, behouden wij ons het recht voor de bovenstaande technische gegevens zonder voorafgaande kennisgeving te wijzigen.
- De technische gegevens kunnen van land tot land verschillen.
- Het gewicht kan verschillen afhankelijk van de hulpstukken, waaronder de accu. De lichtste en zwaarste combinatie, overeenkomstig de EPTA-procedure 01/2014, worden getoond in de tabel.
- De vorm en het gewicht verschillen afhankelijk van de technische gegevens die van land tot land verschillen.

Toepasselijke accu's en laders

Accu	BL1815N / BL1820 / BL1820B / BL1830 / BL1830B / BL1840 / BL1840B / BL1850 / BL1850B / BL1860B
Lader	DC18RC / DC18RD / DC18RE / DC18SD / DC18SE / DC18SF

- Sommige van de hierboven vermelde accu's en laders zijn mogelijk niet leverbaar afhankelijk van waar u woont.

⚠ WAARSCHUWING: Gebruik uitsluitend de accu's en laders die hierboven worden genoemd. Gebruik van enige andere accu of lader kan leiden tot letsel en/of brand.

Gebruiksdoeleinden

Het gereedschap is bedoeld voor het doorslijpen van ferro-materialen met een geschikte doorslijpschijf. Houdt u zich aan de wetten en regelgeving zoals die in uw land gelden met betrekking tot stof en veiligheid en gezondheid op de werkplek.

Geluidsniveau

De typische, A-gewogen geluidsniveaus zijn gemeten volgens EN62841-3-10:

Geluidsdrukniveau (L_{pA}): 103 dB (A)

Geluidsvermogeniveau (L_{WA}): 115 dB (A)

Onzekerheid (K): 3 dB (A)

⚠ WAARSCHUWING: Draag gehoorbescherming.

Trilling

De totale trillingswaarde (triaxiale vectorsom) zoals vastgesteld volgens EN62841-3-10:

Trillingsemismissie (a_h): 2,5 m/s²

Onzekerheid (K): 1,5 m/s²

OPMERKING: De opgegeven trillingsemismissiewaarde is gemeten volgens de standaardtestmethode en kan worden gebruikt om dit gereedschap te vergelijken met andere gereedschappen.

OPMERKING: De opgegeven trillingsemismissiewaarde kan ook worden gebruikt voor een beoordeling vooraf van de blootstelling.

⚠ WAARSCHUWING: De trillingsemismissie tijdens het gebruik van het elektrisch gereedschap in de praktijk kan verschillen van de opgegeven trillingsemismissiewaarde afhankelijk van de manier waarop het gereedschap wordt gebruikt.

⚠ WAARSCHUWING: Zorg ervoor dat veiligheidsmaatregelen worden getroffen ter bescherming van de operator die zijn gebaseerd op een schatting van de blootstelling onder praktijkomstandigheden (rekening houdend met alle fasen van de bedrijfscyclus, zoals de tijdsduur gedurende welke het gereedschap is uitgeschakeld en stationair draait, naast de ingeschakelde tijdsduur).

EG-verklaring van conformiteit

Alleen voor Europese landen

De EG-verklaring van conformiteit is bijgevoegd als Bijlage A bij deze gebruiksaanwijzing.

VEILIGHEIDSWAARSCHUWINGEN

Algemene veiligheidswaarschuwingen voor elektrisch gereedschap

⚠ WAARSCHUWING: Lees alle veiligheids-
waarschuwingen, aanwijzingen, afbeeldingen en
technische gegevens behorend bij dit elektrische
gereedschap aandachtig door. Als u niet alle onder-
staande aanwijzingen naleeft, kan dat resulteren in
brand, elektrische schokken en/of ernstig letsel.

Bewaar alle waarschuwingen en instructies om in de toekomst te kunnen raadplegen.

De term "elektrisch gereedschap" in de veiligheidsvoor-
schriften duidt op gereedschappen die op stroom van
het lichtnet werken (met snoer) of gereedschappen met
een accu (snoerloos).

Veiligheidswaarschuwingen voor doorslijpgereedschappen

- Zorg ervoor dat u en omstanders niet in het rotatievlak van de schijf staan.** De beschermkap helpt de gebruiker te beschermen tegen afgebroken stukjes van de schijf, het per ongeluk aanraken van de schijf.
- Gebruik uitsluitend gelijmde, versterkte doorslijpschijven voor uw elektrisch gereedschap.** Ook wanneer een accessoire kan worden bevestigd op uw elektrisch gereedschap, is een veilige werking niet gegarandeerd.
- Het nominaal toerental van het accessoire moet minstens gelijk zijn aan het maximumtoerental vermeld op het elektrisch gereedschap.** Accessoires die met een hoger toerental draaien dan hun nominaal toerental kunnen stuk breken en in het rond vliegen.
- De schijven mogen uitsluitend worden gebruikt voor de aanbevolen toepassingen.** Bijvoorbeeld: u mag niet slijpen met de zijkant van een doorslijpschijf. Doorslijpschijven zijn bedoeld voor slijpen met de rand. Krachten op het zijoppervlak kunnen deze schijven doen breken.
- Gebruik altijd onbeschadigde schijfflenzen van de juiste diameter voor de te gebruiken schijf.** Een goede schijfflens ondersteunt de schijf en verkleint daarmee de kans op het breken van de schijf.
- De buitendiameter en de dikte van het accessoire moet binnen het capaciteitsbereik van het elektrisch gereedschap vallen.** Accessoires met verkeerde afmetingen kunnen niet afdoende worden afgeschermd of beheerst.

- De asdiameter van schijven en flenzen moeten goed passen rond de as van het elektrisch gereedschap.** Schijven en flenzen met een asdiameter die niet overeenkomt met de bevestigingshardware voor het elektrisch gereedschap zullen niet in balans draaien, buitensporig trillen en kunnen tot verlies van controle over het gereedschap leiden.
- Gebruik nooit beschadigde schijven.** Inspecteer vóór elk gebruik de schijf op ontbrekende schilfers en barsten. Nadat het elektrisch gereedschap of de schijf is gevallen, inspecteert u het op schade of monteert u een onbeschadigde schijf. Na inspectie en montage van de schijf, zorgt u ervoor dat u en omstanders niet in het rotatievlak van de schijf staan, en laat u het elektrisch gereedschap draaien op het maximaal nullastoerental gedurende één minuut. Beschadigde schijven breken normaal gesproken in stukken gedurende deze testduur.
- Gebruik persoonlijke-beschermingsmiddelen.** Afhankelijk van de toepassing dient u een spatscherm, beschermende bril of veiligheidsbril te dragen. Al naar gelang van toepassing draagt u een stofmasker, gehoorbeschermers, handschoenen en een werkschort die in staat zijn kleine stukjes slijpsel of werkstukfragmenten te weerstaan. De oogbescherming moet in staat zijn rondvliegend afval te stoppen dat ontstaat bij de diverse werkzaamheden. Het stofmasker of ademhalingsapparaat moet in staat zijn deeltjes te filteren die ontstaan bij de werkzaamheden. Langdurige blootstelling aan zeer intens geluid kan leiden tot gehoorbeschadiging.
- Houd omstanders op veilige afstand van het werkgebied.** Iedereen die zich binnen het werkgebied begeeft, moet persoonlijke-beschermingsmiddelen gebruiken. Fragmenten van het werkstuk of van een uiteengevallen schijf kunnen rondvliegen en letsel veroorzaken buiten de onmiddellijke werkomgeving.
- Maak de ventilatieopeningen van het gereedschap regelmatig schoon.** De ventilator van de motor kan het stof de behuizing in trekken, en een grote opeenhoping van metaalslijpsel kan leiden tot elektrisch gevaarlijke situaties.
- Gebruik het elektrisch gereedschap niet in de buurt van licht ontvlambare materialen.** Bedien het elektrisch gereedschap niet terwijl het op een brandbaar materiaal ligt, zoals hout. Vonken kunnen deze materialen doen ontvlammen.
- Gebruik geen accessoires die met vloeistof moeten worden gekoeld.** Het gebruik van water of andere vloeibare koelmiddelen kan leiden tot elektrocutie of elektrische schokken.

Terugslag en aanverwante waarschuwingen

Terugslag is een plotselinge reactie op een beknelde of vastgelopen draaiende schijf. Beknellen of vastlopen veroorzaakt een snelle stilstand van de draaiende schijf dat op zijn beurt ertoe leidt dat de doorslijpeenheid omhoog in de richting van de gebruiker wordt gedwongen. Bijvoorbeeld, als een slijpschijf bekneld raakt of vastloopt in het werkstuk, kan de rand van de schijf die het beknellingspunt ingaat, zich invreten in het oppervlak van het materiaal waardoor de schijf eruit klimt of eruit slaat. Slijpschijven kunnen in dergelijke situaties ook breken.

Terugslag is het gevolg van misbruik van het elektrisch gereedschap en/of onjuiste gebruiksprocedures of -omstandigheden, en kan worden voorkomen door goede voorzorgsmaatregelen te treffen, zoals hieronder vermeld.

1. **Houd het elektrisch gereedschap stevig vast en houd uw armen en lichaam zodanig dat u in staat bent een terugslag op te vangen.** Als gebruiker kunt u terugslagkrachten omhoog te baas blijven, mits u de juiste voorzorgsmaatregelen treft.
2. **Plaats uw lichaam niet in één lijn met de ronddraaiende schijf.** Als terugslag optreedt, zal de doorslijpeenheid omhoog in de richting van de gebruiker worden geworpen.
3. **Bevestig geen zaagketting, houtbewerkingsblad, gesegmenteerde diamantschijf met inkepingen in de omtrek die groter zijn dan 10 mm, of een getand zaagblad.** Dergelijke bladen leiden vaak tot terugslag of verlies van controle over het gereedschap.
4. **Laat de schijf niet vastlopen en oefen geen buitensporige druk uit. Probeer niet een buitensporig diepe snede te slijpen.** Een te grote kracht op de schijf verhoogt de belasting en de kans dat de schijf in de snede verdraait of vastloopt, waardoor terugslag kan optreden of de schijf kan breken.
5. **Wanneer de schijf vastloopt of u het snijden onderbreekt, schakelt u het elektrisch gereedschap uit en houdt u de doorslijpeenheid stil totdat de schijf volledig tot stilstand is gekomen. Probeer nooit de schijf uit de snede te halen terwijl de schijf nog draait omdat hierdoor een terugslag kan optreden.** Onderzoek waarom de schijf is vastgelopen en tref afdoende maatregelen om de oorzaak ervan op te heffen.
6. **Begin niet met doorslijpen terwijl de schijf al in het werkstuk steekt. Wacht totdat de schijf op volle snelheid draait en breng daarna de schijf voorzichtig terug in de snede.** Wanneer het elektrisch gereedschap opnieuw wordt gestart terwijl de schijf al in het werkstuk steekt, kan de schijf vastlopen, omhoog lopen of terugslaan.
7. **Ondersteun een groot werkstuk om de kans op het beknellen van de schijf en terugslag te minimaliseren.** Grote werkstukken neigen door te zakken onder hun eigen gewicht. U moet het werkstuk ondersteunen vlakbij de snijlijn en vlakbij de rand van het werkstuk aan beide kanten van de schijf.

Aanvullende veiligheidswaarschuwingen

1. **Pas gedurende de werking op voor rondvliegende vonken.** Deze kunnen letsel veroorzaken of ontvlambaar materiaal doen ontbranden.
2. **Zet het werkstuk vast. Gebruik klemmen of een bankschroef om het werkstuk vast te zetten, anders dit praktisch is.** Dit is veiliger dan met uw hand en zo heeft u beide handen vrij om het gereedschap vast te houden.
3. **Zet de doorslijpschijf zorgvuldig vast.**
4. **Zorg ervoor dat u de as, de flenzen (vooral hun montagevlak) of de bout niet beschadigt, aangezien de doorslijpschijf zelf dan kan breken.**
5. **Houd de beschermingen op hun plaats en in goede staat.**
6. **Houd de handgreep stevig vast.**
7. **Houd uw handen uit de buurt van draaiende onderdelen.**

8. **Zorg ervoor dat de doorslijpschijf het werkstuk niet raakt alvorens het gereedschap in te schakelen.**
9. **Controleer vóór elk gebruik op wiebelen of overmatige trillingen die door een verkeerd aangebrachte of slecht gebalanceerde schijf kunnen worden veroorzaakt.**
10. **Verwijder ontvlambaar materiaal of brokstukken uit de werkomgeving. Zorg ervoor dat niemand zich in de vonkenregen bevindt. Houd een in goede staat verkerend brandblusapparaat gereed dicht bij de werkomgeving.**
11. **Wanneer tijdens de werkzaamheid de doorslijpschijf plotseling stopt, vreemde geluiden maakt of begint te trillen, schakel dan het gereedschap onmiddellijk uit.**
12. **Schakel het gereedschap altijd uit en wacht totdat de doorslijpschijf volledig tot stilstand is gekomen, alvorens het werkstuk te verwijderen of vast te zetten, de bankschroef te bedienen, de werkpositie of de hoek te veranderen, of de doorslijpschijf te vervangen.**
13. **Raak het werkstuk niet aan onmiddellijk na het werken, aangezien het dan gloeiend heet is en brandwonden kan veroorzaken.**
14. **Berg de schijven uitsluitend op een droge plaats op.**

BEWAAR DEZE INSTRUCTIES.

Belangrijke veiligheidsinstructies voor een accu

1. **Lees alle voorschriften en waarschuwingen op (1) de acculader, (2) de accu, en (3) het product waarvoor de accu wordt gebruikt, alvorens de accu in gebruik te nemen.**
2. **Neem de accu niet uit elkaar.**
3. **Als de gebruikstijd van een opgeladen accu aanzienlijk korter is geworden, moet u het gebruik ervan onmiddellijk stopzetten. Voortgezet gebruik kan oververhitting, brandwonden en zelfs een ontploffing veroorzaken.**
4. **Als elektrolyt in uw ogen is terechtgekomen, spoelt u uw ogen met schoon water en roept u onmiddellijk de hulp van een dokter in. Elektrolyt in de ogen kan blindheid veroorzaken.**
5. **Voorkom kortsluiting van de accu:**
 - (1) **Raak de accuklemmen nooit aan met een geleidend materiaal.**
 - (2) **Bewaar de accu niet in een bak waarin andere metalen voorwerpen zoals spijkers, munten e.d. worden bewaard.**
 - (3) **Stel de accu niet bloot aan water of regen. Kortsluiting van de accu kan oorzaak zijn van een grote stroomafgifte, oververhitting, brandwonden, en zelfs defecten.**
6. **Bewaar het gereedschap en de accu niet op plaatsen waar de temperatuur kan oplopen tot 50°C of hoger.**
7. **Werp de accu nooit in het vuur, ook niet wanneer hij zwaar beschadigd of volledig versleten is. De accu kan ontploffen in het vuur.**
8. **Wees voorzichtig dat u de accu niet laat vallen en hem niet blootstelt aan schokken of stoten.**

9. **Gebruik nooit een beschadigde accu.**
10. **De bijgeleverde lithium-ionbatterijen zijn onderhevig aan de vereisten in de wetgeving omtrent gevaarlijke stoffen.**
 Voor commercieel transport en dergelijke door derden en transporteurs moeten speciale vereisten ten aanzien van verpakking en etikettering worden nageleefd.
 Als voorbereiding van het artikel dat wordt getransporteerd is het noodzakelijk een expert op het gebied van gevaarlijke stoffen te raadplegen. Houd u tevens aan mogelijk strengere nationale regelgeving.
 Blootliggende contactpunten moeten worden afgedekt met tape en de accu moet zodanig worden verpakt dat deze niet kan bewegen in de verpakking.
11. **Volg bij het weggooiën van de accu de plaatselijke voorschriften.**
12. **Gebruik de accu's uitsluitend met de gereedschappen die door Makita zijn aanbevolen.** Als de accu's worden aangebracht in niet-compatibele gereedschappen, kan dat leiden tot brand, buitensporige warmteontwikkeling, een explosie of lekkage van elektrolyt.

BEWAAR DEZE INSTRUCTIES.

⚠️ LET OP: Gebruik uitsluitend originele Makita accu's. Het gebruik van niet-originele accu's, of accu's die zijn gewijzigd, kan ertoe leiden dat de accu ontploft en brand, persoonlijk letsel en schade veroorzaakt. Ook vervalt daarmee de garantie van Makita op het gereedschap en de lader van Makita.

Tips voor een maximale levensduur van de accu

1. Laad de accu op voordat hij volledig ontladen is. Stop het gebruik van het gereedschap en laad de accu op telkens wanneer u vaststelt dat het vermogen van het gereedschap is afgenomen.
2. Laad een volledig opgeladen accu nooit opnieuw op. Te lang opladen verkort de levensduur van de accu.
3. Laad de accu op bij een omgevingstemperatuur tussen 10°C en 40°C. Laat een warme accu afkoelen alvorens hem op te laden.
4. Laad de accu op als u deze gedurende een lange tijd (meer dan zes maanden) niet gaat gebruiken.

OPSTELLEN

⚠️ WAARSCHUWING: Dit gereedschap produceert vonken tijdens het doorsnijden van een werkstuk. Stel dit gereedschap niet op een plaats op waar brandbare en/of explosieve materialen kunnen worden ontstoken door een vonk vanaf het gereedschap. Zorg er tevens voor dat dergelijk materiaal zich niet in de buurt van het gereedschap bevindt voordat u met de werkzaamheden begint.

Het voetstuk bevestigen

Dit gereedschap moet met twee bouten in de boutgaten van het voetstuk worden bevestigd op een horizontale en stabiele ondergrond. Dit helpt voorkomen dat het gereedschap kantelt of omvalt met kans op persoonlijk letsel.

► **Fig. 1:** 1. Boutgaten 2. Voetstuk

BESCHRIJVING VAN DE FUNCTIES

⚠️ WAARSCHUWING: Zorg ervoor dat het gereedschap is uitgeschakeld en dat de accu is verwijderd voordat u de functies van het gereedschap aanpast of controleert. Als het gereedschap niet wordt uitgeschakeld en de accu niet uit het gereedschap wordt verwijderd, kan dat na per ongeluk inschakelen leiden tot ernstig persoonlijk letsel.

De gereedschapskop vergrendelen/ontgrendelen

De gereedschapskop kan worden vergrendeld. Vergrendel altijd de gereedschapskop wanneer het gereedschap niet in gebruik is of wordt getransporteerd.

Om te ontgrendelen, duwt u de gereedschapskop iets omlaag en drukt u tegen de vergrendelpen. Om te vergrendelen, houdt u de gereedschapskop omlaag geduwd en drukt u de vergrendelpen terug.

► **Fig.2:** 1. Vergrendelpen

De accu aanbrengen en verwijderen

⚠️ LET OP: Schakel het gereedschap altijd uit voordat u de accu aanbrengt of verwijdert.

⚠️ LET OP: Houd het gereedschap en de accu stevig vast tijdens het aanbrengen of verwijderen van de accu. Als u het gereedschap en de accu niet stevig vasthoudt, kunnen deze uit uw handen glijpen en het gereedschap of de accu beschadigen, of kan persoonlijk letsel worden veroorzaakt.

► **Fig.3:** 1. Rood deel 2. Knop 3. Accu

Om de accu te verwijderen verschuift u de knop aan de voorkant van de accu en schuift u tegelijkertijd de accu uit het gereedschap.

Om de accu aan te brengen lijnt u de lip op de accu uit met de groef in de behuizing en duwt u de accu op zijn plaats. Steek de accu zo ver mogelijk in het gereedschap tot u een klinkgeluid hoort. Als u het rode deel aan de bovenkant van de knop kunt zien, is de accu niet goed aangebracht.

⚠ LET OP: Breng de accu altijd helemaal aan totdat het rode deel niet meer zichtbaar is. Als u dit niet doet, kan de accu per ongeluk uit het gereedschap vallen en u of anderen in uw omgeving verwonden.

⚠ LET OP: Breng de accu niet met kracht aan. Als de accu niet gemakkelijk in het gereedschap kan worden geschoven, wordt deze niet goed aangebracht.

OPMERKING: Het gereedschap werkt niet als slechts één accu is aangebracht.

Gereedschap-/accubeveiligingssysteem

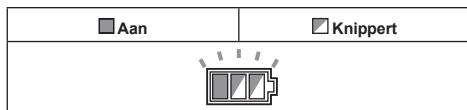
Het gereedschap is uitgerust met een gereedschap-/accubeveiligingssysteem. Dit systeem kan automatisch de stroomtoevoer naar de motor afsluiten om de levensduur van het gereedschap en de accu te verlengen. Het gereedschap zal tijdens gebruik automatisch stoppen wanneer het gereedschap of de accu zich in een van de volgende omstandigheden bevindt: Onder bepaalde omstandigheden gaan de indicatorlampjes branden.

Overbelastingsbeveiliging

Wanneer het gereedschap wordt gebruikt op een manier waarop het een abnormaal hoge stroom trekt, stopt het gereedschap automatisch. Schakel in die situatie het gereedschap uit en stop het gebruik dat ertoe leidde dat het gereedschap overbelast raakte. Schakel daarna het gereedschap in om het weer te starten.

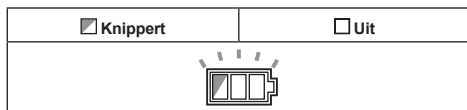
Oververhittingsbeveiliging

Wanneer het gereedschap oververhit is, stopt het gereedschap automatisch en knippert de accu-indicator gedurende ongeveer 60 seconden. Laat in die situatie het gereedschap afkoelen voordat u het gereedschap weer inschakelt.



Beveiliging tegen te ver ontladen






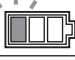

Wanneer de lading van de accu laag is geworden, stopt het gereedschap automatisch en gaat de accu-indicator van de lege accu knipperen. Als het gereedschap niet werkt, ook niet wanneer de schakelaars worden bediend, verwijdert u de lege accu vanaf het gereedschap en laadt u hem op.



De resterende acculading controleren

► **Fig.4:** 1. Accu-indicatorlampje 2. Testknop

Druk op de testknop om de resterende acculadingen te zien. De accu-indicatorlampjes geven per accu de resterende acculading aan.














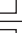
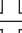






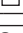
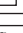
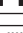
Toestand van accu-indicator			Resterende acculading
 Aan	 Uit	 Knippert	
			50% tot 100%
			20% tot 50%
			0% tot 20%
			Laad de accu op.

De resterende acculading controleren

Alleen voor accu's met indicatorlampjes

► **Fig.5:** 1. Indicatorlampjes 2. Testknop

Druk op de testknop op de accu om de resterende acculading te zien. De indicatorlampjes branden gedurende enkele seconden.

Indicatorlampjes			Resterende acculading
 Brandt	 Uit	 Knippert	
			75% tot 100%
			50% tot 75%
			25% tot 50%
			0% tot 25%
			Laad de accu op.
			Er kan een storing zijn opgetreden in de accu.
			

OPMERKING: Afhankelijk van de gebruiksomstandigheden en de omgevingstemperatuur, is het mogelijk dat de aangegeven acculading verschilt van de werkelijke acculading.

De trekkerschakelaar gebruiken

WAARSCHUWING: Alvorens de accu in het gereedschap te plaatsen, moet u altijd controleren of de trekkerschakelaar goed werkt en bij het loslaten terugkeert naar de stand "OFF".

► Fig.6: 1. Uit-vergrendelknop 2. Trekkerschakelaar

Om te voorkomen dat de trekkerschakelaar per ongeluk wordt ingeknepen, is een uit-vergrendelknop aangebracht. Om het gereedschap te starten, drukt u de uit-vergrendelknop in en knijpt u de trekkerschakelaar in. Laat de trekkerschakelaar los om het gereedschap te stoppen.

WAARSCHUWING: U mag NOOIT de uit-vergrendelknop buiten werking stellen door hem met tape vast te zetten of iets dergelijks. Een schakelaar met een buiten werking gestelde uit-vergrendelknop, kan leiden tot onbedoeld inschakelen en ernstig persoonlijk letsel.

WAARSCHUWING: Gebruik het gereedschap NOOIT als het start door alleen maar de trekkerschakelaar in te knijpen zonder de uit-vergrendelknop in te drukken. Een schakelaar die moet worden gerepareerd, kan leiden tot onbedoeld inschakelen en ernstig persoonlijk letsel. Stuur het gereedschap op naar een Makita-servicecentrum voor reparatie ZONDER het verder te gebruiken.

KENNISGEVING: Druk de trekschakelaar niet hard in zonder dat de uit-vergrendelknop is ingedrukt. Hierdoor kan de schakelaar kapot gaan.

Belastingstatusindicator

De belastingstatusindicator geeft het niveau aan van de belasting van de motor tijdens het doorslijpen. Naarmate de belasting op de motor toeneemt, gaan meer segmenten van de indicator branden.

► Fig.7: 1. Belastingstatusindicator

Overbelastingswaarschuwing

Als de motor wordt bediend onder buitensporige belasting, gaan alle segmenten van de belastingstatusindicator knippen. Verlaag in dat geval de belasting op de motor. Als u de motor blijft belasten terwijl de belastingstatusindicator knippert, zal na enkele seconden het gereedschap automatisch worden gestopt door de overbelastingsbeveiliging.

OPMERKING: Als een buitensporige belasting plotseling wordt uitgeoefend, stopt het gereedschap automatisch zonder dat de belastingstatusindicator knippert.

Ruimte tussen de bankschroef en de geleideplaat

LET OP: Na het afstellen van de ruimte tussen de bankschroef en de geleideplaat, zorgt u ervoor dat de geleideplaat goed wordt vastgezet. Door onvoldoende vastzetten kan persoonlijk letsel ontstaan.

De volgende tussenruimte-instellingen van de bankschroef zijn mogelijk:

- 0 - 170 mm (originele instelling)
- 35 - 205 mm
- 70 - 240 mm

Als voor uw werk verschillende instellingen nodig zijn, gaat u als volgt te werk om de afstand of tussenruimte in te stellen.

Draai de schroef op de geleideplaat los. Stel de geleideplaat in op de gewenste stand en draai daarna de schroef vast.

► Fig.8: 1. Schroef 2. Geleideplaat

De doorslijphoek instellen

LET OP: Na het afstellen van de hoek van de geleideplaat, zorgt u ervoor dat de geleideplaat goed wordt vastgezet. Door onvoldoende vastzetten kan persoonlijk letsel ontstaan.

LET OP: Bedien het gereedschap niet wanneer het werkstuk niet stevig in de bankschroef is vastgezet vanwege de doorslijphoek.

Draai de hendel linksom. Stel de geleideplaat in onder de gewenste hoek en draai de hendel helemaal vast.

► Fig.9: 1. Geleideplaat 2. Hendel

OPMERKING: De schaalverdeling op de geleideplaat biedt slechts een grove richtlijn. Voor een nauwkeurig hoekinstelling gebruikt u een gradenboog of een geodriehoek. Zorg dat de handgreep omlaag staat, zodat de doorslijpschijf tot in het voetstuk steekt. Verstel tegelijkertijd de hoek tussen de geleideplaat en de doorslijpschijf met een gradenboog of een geodriehoek.

Het vonkscherm afstellen

Afhankelijk van het land

Het vonkscherm is in de fabriek gemonteerd met de onderste rand tegen het voetstuk aan. Als u het gereedschap in die stand gebruikt, zullen er veel vonken in het rond vliegen. Draai de schroef los en verstel het vonkscherm zodanig dat er zo min mogelijk vonken in het rond vliegen.

► Fig.10: 1. Schroef 2. Vonkscherm

Elektronische functie

Gereedschappen met elektronische functie zijn dankzij de volgende eigenschap(en) gemakkelijk te bedienen.

Zachte-startfunctie

Maakt een zachte start mogelijk door onderdrukking van de startschok.

MONTAGE

⚠WAARSCHUWING: Controleer altijd of het gereedschap is uitgeschakeld en de accu ervan is verwijderd voordat u aan het gereedschap gaat werken. Als u het gereedschap niet uitschakelt en de accu niet verwijdert, kan dat leiden tot ernstig persoonlijk letsel.

De middenkap-type veiligheidskap openen

Afhankelijk van het land

Bij een gereedschap uitgerust met een de middenkap-type veiligheidskap, draait u eerst de klemschroef los en brengt u daarna de veiligheidskap omhoog.

► Fig.11: 1. Klemschroef

De Europees type veiligheidskap openen

Afhankelijk van het land

Bij een gereedschap uitgerust met een Europees type veiligheidskap, draait u eerst de klemschroef los en opent u daarna de veiligheidskap zoals afgebeeld.

► Fig.12: 1. Klemschroef

► Fig.13

► Fig.14

De doorslijpschijf aanbrengen en verwijderen

⚠LET OP: Draai de handdraaiknop altijd stevig vast. Door onvoldoende vastdraaien kan ernstig letsel ontstaan.

⚠LET OP: Gebruik altijd alleen de juiste binnen- en buitenflenzen die bij het gereedschap zijn geleverd.

⚠LET OP: Breng na het vervangen van de doorslijpschijf altijd de veiligheidskap weer omlaag.

⚠LET OP: Draag beschermende handschoenen wanneer u de schijf hanteert.

Breng de veiligheidskap omhoog. Houd de asvergrendeling ingedrukt en draai de handdraaiknop linksom. Verwijder vervolgens de handdraaiknop, de buitenflens en de doorslijpschijf. Verwijder bij het verwijderen van de doorslijpschijf niet de binnenflens en ook niet de ring en O-ring.

► Fig.15: 1. Asvergrendeling 2. Handdraaiknop

► Fig.16: 1. Binnenflens 2. Ring 3. O-ring
4. Doorslijpschijf 5. Buitenflens
6. Handdraaiknop

Voor het aanbrengen van de doorslijpschijf volgt u de verwijderingsprocedure in omgekeerde volgorde. Zorg ervoor dat het gat van de doorslijpschijf past in de ring en breng de veiligheidskap omlaag.

BEDIENING


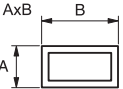
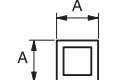

⚠LET OP: De juiste druk op de handgreep tijdens het snijden en de maximale efficiëntie van het doorslijpen kan worden afgelezen aan de hoeveelheid vonken die wordt geproduceerd tijdens het doorsnijden. Probeer niet om de snede te forceren door buitensporig veel druk op de handgreep uit te oefenen. Dat kan leiden tot een lagere efficiëntie van het doorslijpen, voortijdige slijtage van de schijf, en mogelijke schade aan het gereedschap, de doorslijpschijf of het werkstuk.

Houd de handgreep stevig vast. Schakel het gereedschap in en wacht tot de doorslijpschijf met maximaal toerental draait, voordat u die voorzichtig in de snede laat zakken. Wanneer de doorslijpschijf het werkstuk raakt, drukt u geleidelijk de handgreep omlaag om de snede te maken. Wanneer de snede voltooid is, schakelt u het gereedschap uit en wacht totdat de doorslijpschijf volledig tot stilstand is gekomen voordat u de handgreep terugzet in de bovenste stand.

Doorslijp capaciteit

De maximale doorslijp capaciteit varieert afhankelijk van de doorslijphoek en de vorm van het werkstuk.

Maximale doorslijp capaciteit van een gloednieuwe doorslijpschijf

Doorslijphoek/ Werkstukvorm	90°	45°
	ø127 mm	ø127 mm
	115 x 130 mm 102 x 194 mm 70 x 233 mm	115 x 103 mm
	119 x 119 mm	106 x 106 mm
	137 x 137 mm	100 x 100 mm

OPMERKING: Een werkstuk dat dunner is dan 1,6 mm wordt aanbevolen om met dit gereedschap door te slijpen.

Het werkstuk vastklemmen

⚠ LET OP: Plaats de schroefdraadhouder altijd op de schroefdraad van de as wanneer u het werkstuk gaat vastklemmen. Als u dit nalaat, kan het werkstuk niet afdoende worden vastgeklemd. In dat geval zou het werkstuk kunnen losspringen of zou de doorslijpschijf kunnen breken, wat zeer gevaarlijk is.

Wanneer de schroefdraadhouder omhoog staat, kan de bankschroefplaat snel naar voren en achteren worden verplaatst. Om uw werkstuk vast te klemmen, duwt u eerst de handgreep naar voren tot de bankschroefplaat tegen het werkstuk komt en sluit u daarna de schroefdraadhouder. Draai de handgreep rechtsom tot het werkstuk goed is vastgezet.

► **Fig.17:** 1. Handgreep 2. Schroefdraadhouder
3. Bankschroefplaat

Wanneer de doorslijpschijf al aanzienlijk afgesleten is, plaatst u een afstandsstuk achter het werkstuk, zoals getoond in de afbeelding. U kunt een versleten schijf efficiënter gebruiken door het middelpunt van de rand van de schijf te gebruiken voor het doorsnijden van uw werkstuk. Gebruik een afstandsstuk van solide, onbrandbaar materiaal.

► **Fig.18:** 1. Afstandsstuk

Om een werkstuk van meer dan 85 mm breed onder een hoek af te snijden, brengt u een recht stuk hout (afstandsstuk) van meer dan 190 mm lang x 40 mm breed aan op de geleideplaat, zoals getoond in de afbeelding. Bevestig dit afstandsstuk met schroeven door de gaten in de geleideplaat. Zorg ervoor dat de doorslijpschijf het afstandsstuk niet raakt wanneer de gereedschapskop omlaag wordt gebracht.

► **Fig.19:** 1. Geleideplaat 2. Afstandsstuk (meer dan 190 mm lang x 40 mm breed)
3. Werkstuk (meer dan 85 mm breed)
4. Bankschroefplaat

KENNISGEVING: Bij gebruik van een afstandsstuk, monteert u de geleideplaat op de positie het dichtste bij de nek van de gereedschapskop.

► **Fig.20**

Wanneer de doorslijpschijf is afgesleten, verhoogt u de doorslijpspositie door een afstandsstuk dat iets smaller is dan het werkstuk te plaatsen, zoals getoond in de afbeelding. Dit helpt u om de doorslijpschijf economisch te gebruiken.

► **Fig.21:** 1. Bankschroefplaat 2. Diameter van werkstuk 3. Geleideplaat 4. Breedte van afstandsstuk

Een lang werkstuk moet aan beide uiteinden worden ondersteund door steunblokken zodat het werkstuk op gelijke hoogte ligt met de bovenkant van het voetstuk. Gebruik steunblokken van een onbrandbaar materiaal.

► **Fig.22:** 1. Steunblok

Het gereedschap dragen

Alvorens het gereedschap te dragen, verwijdert u de accu's en klapt u de gereedschapskop omlaag en vergrendelt u deze. Draag het gereedschap aan de handgreep.

► **Fig.23**

ONDERHOUD

⚠ LET OP: Zorg altijd dat het gereedschap is uitgeschakeld en de accu ervan is verwijderd alvorens te beginnen met onderhoud of inspectie.

KENNISGEVING: Gebruik nooit benzine, benzine, thinner, alcohol en dergelijke. Hierdoor kunnen verkleuring, vervormingen en barsten worden veroorzaakt.

Om de VEILIGHEID en BETROUWBAARHEID van het gereedschap te handhaven, dienen alle reparaties, onderhoud of afstellingen te worden uitgevoerd bij een erkend Makita-servicecentrum of de Makita-fabriek, en altijd met gebruik van Makita-vervangingsonderdelen.

OPTIONELE ACCESSOIRES

⚠ LET OP: Deze accessoires of hulpstukken worden aanbevolen voor gebruik met het Makita gereedschap dat in deze gebruiksaanwijzing is beschreven. Bij gebruik van andere accessoires of hulpstukken bestaat het gevaar van persoonlijke letsel. Gebruik de accessoires of hulpstukken uitsluitend voor hun bestemde doel.

Wenst u meer bijzonderheden over deze accessoires, neem dan contact op met het plaatselijke Makita-servicecentrum.

- Doorslijpschijven
- Originele Makita accu's en acculaders

OPMERKING: Sommige items op de lijst kunnen zijn inbegrepen in de doos van het gereedschap als standaard toebehoren. Deze kunnen van land tot land verschillen.

ESPECIFICACIONES

Modelo:		DLW140
Diámetro del disco		355 mm
Diámetro del agujero		25,4 mm
Grosor máx. del disco		3 mm
Velocidad sin carga		3.800 min ⁻¹
Tensión nominal		36 V CC
Dimensiones (La x An x Al)	Con protector de seguridad tipo europeo	537 mm x 290 mm x 640 mm
	Con protector de seguridad distinto del de tipo europeo	537 mm x 280 mm x 640 mm
	Con protector de seguridad tipo cubierta central	537 mm x 280 mm x 640 mm
Peso neto	Con protector de seguridad tipo europeo	17,2 - 17,8 kg
	Con protector de seguridad distinto del de tipo europeo	15,6 - 16,3 kg
	Con protector de seguridad tipo cubierta central	15,4 - 16,0 kg

- Debido a nuestro continuado programa de investigación y desarrollo, las especificaciones aquí dadas están sujetas a cambios sin previo aviso.
- Las especificaciones pueden ser diferentes de país a país.
- El peso puede variar dependiendo del accesorio(s), incluyendo el cartucho de batería. La combinación menos pesada y la más pesada, de acuerdo con el procedimiento EPTA 01/2014, se muestran en la tabla.
- La forma y el peso varían dependiendo de las especificaciones que difieren de un país a otro.

Cartucho de batería y cargador aplicables

Cartucho de batería	BL1815N / BL1820 / BL1820B / BL1830 / BL1830B / BL1840 / BL1840B / BL1850 / BL1850B / BL1860B
Cargador	DC18RC / DC18RD / DC18RE / DC18SD / DC18SE / DC18SF

- Algunos de los cartuchos de batería y cargadores indicados arriba puede que no estén disponibles dependiendo de su región de residencia.

⚠ ADVERTENCIA: Utilice solamente los cartuchos de batería y cargadores listados arriba. La utilización de cualquier otro cartucho de batería y cargador puede ocasionar heridas y/o un incendio.

Uso previsto

La herramienta ha sido prevista para cortar materiales féreos con el disco de corte abrasivo apropiado. Siga todas las leyes y reglamentos en cuanto al polvo y la salubridad y seguridad del área de trabajo de su país.

Ruido

El nivel de ruido A-ponderado típico determinado de acuerdo con la norma EN62841-3-10:
 Nivel de presión sonora (L_{pA}) : 103 dB (A)
 Nivel de potencia sonora (L_{WA}) : 115 dB (A)
 Error (K) : 3 dB (A)

⚠ ADVERTENCIA: Póngase protectores para oídos.

Vibración

El valor total de la vibración (suma de vectores triaxiales) determinado de acuerdo con la norma EN62841-3-10:
 Emisión de vibración (a_{hv}) : 2,5 m/s²
 Error (K) : 1,5 m/s²

NOTA: El valor de emisión de vibración declarado ha sido medido de acuerdo con el método de prueba estándar y se puede utilizar para comparar una herramienta con otra.

NOTA: El valor de emisión de vibración declarado también se puede utilizar en una valoración preliminar de exposición.

⚠️ ADVERTENCIA: La emisión de vibración durante la utilización real de la herramienta eléctrica puede variar del valor de emisión declarado dependiendo de las formas en las que la herramienta sea utilizada.

⚠️ ADVERTENCIA: Asegúrese de identificar medidas de seguridad para proteger al operario que estén basadas en una estimación de la exposición en las condiciones reales de utilización (teniendo en cuenta todas las partes del ciclo operativo como las veces cuando la herramienta está apagada y cuando está funcionando en vacío además del tiempo de gatillo).

Declaración CE de conformidad

Para países europeos solamente

La declaración CE de conformidad está incluida como Anexo A de esta manual de instrucciones.

ADVERTENCIAS DE SEGURIDAD

Advertencias de seguridad para herramientas eléctricas en general

⚠️ ADVERTENCIA: Lea todas las advertencias de seguridad, instrucciones, ilustraciones y especificaciones provistas con esta herramienta eléctrica. Si no sigue todas las instrucciones indicadas abajo podrá resultar en una descarga eléctrica, un incendio y/o heridas graves.

Guarde todas las advertencias e instrucciones para futuras referencias.

El término "herramienta eléctrica" en las advertencias se refiere a su herramienta eléctrica de funcionamiento con conexión a la red eléctrica (con cable) o herramienta eléctrica de funcionamiento a batería (sin cable).

Advertencias de seguridad para la máquina de cortar

- 1. Colóquese usted y los transeúntes alejados del plano de giro del disco giratorio.** El protector de disco ayuda a proteger al operario de fragmentos de disco roto y de un contacto accidental con el disco.
- 2. Utilice solamente discos de corte reforzados aglomerados para su herramienta eléctrica.** Solamente porque un accesorio pueda ser instalado en su herramienta eléctrica, no quiere decir que su operación sea segura.
- 3. La velocidad especificada del accesorio deberá ser al menos igual que la velocidad máxima marcada en la herramienta eléctrica.** Si los accesorios se utilizan a una velocidad más alta que la velocidad especificada pueden romperse y salir despedidos.
- 4. Los discos deberán ser utilizados solamente para aplicaciones recomendadas. Por ejemplo: no amole con el costado de un disco de corte.** Los discos de corte abrasivos han sido previstos para amolado periférico, y estos discos podrán desintegrarse si se les aplican fuerzas laterales.
- 5. Utilice siempre bridas de disco no dañadas que sean del tamaño correcto para el disco que ha seleccionado.** Las bridas de disco correctas sujetan los discos de tal manera que reducen la posibilidad de que el disco se rompa.
- 6. El diámetro exterior y el espesor de su accesorio deberán estar dentro de la capacidad nominal de su herramienta eléctrica.** Los accesorios de tamaño incorrecto no se pueden proteger ni controlar adecuadamente.
- 7. El tamaño del agujero para eje de los discos y bridas deberá encajar debidamente en el eje de la herramienta eléctrica.** Los discos y bridas con agujero para eje que no coincida con el eje de montaje de la herramienta eléctrica se desequilibrarán, vibrarán excesivamente y podrán ocasionar una pérdida de control.
- 8. No utilice discos dañados. Antes de cada utilización, inspeccione los discos para ver si están mellados o agrietados. Si deja caer la herramienta eléctrica o el disco, inspecciónelo por si está dañado o instale un disco que no esté dañado. Después de inspeccionar e instalar un disco, póngase usted y los transeúntes alejados del plano del disco giratorio y haga funcionar la herramienta a velocidad máxima en vacío durante un minuto.** Normalmente, los discos dañados se romperán durante este tiempo de prueba.
- 9. Póngase equipo de protección personal. En función de la aplicación, utilice pantalla facial, gafas de protección o gafas de seguridad. Según corresponda, póngase mascarilla contra el polvo, protectores auditivos, guantes y delantal de taller que pueda detener los pequeños fragmentos abrasivos o de pieza de trabajo que salgan despedidos.** La protección de los ojos deberá ser capaz de detener los restos que salen volando generados en las diferentes operaciones. La mascarilla contra el polvo o respirador deberá ser capaz de filtrar las partículas generadas en su operación. La exposición prolongada a ruido de alta intensidad podrá ocasionar pérdida auditiva.
- 10. Mantenga a los transeúntes a una distancia segura alejados del área de trabajo. Cualquier persona que entre en el área de trabajo deberá utilizar equipo de protección personal.** Los fragmentos de la pieza de trabajo o de un disco roto pueden salir volando y ocasionar heridas más allá del área de operación inmediata.
- 11. Limpie regularmente los orificios de ventilación de la herramienta eléctrica.** El ventilador del motor atrae el polvo al interior de la carcasa y una acumulación excesiva del polvo metálico puede ocasionar riesgos eléctricos.
- 12. No utilice la herramienta eléctrica cerca de materiales inflamables. No utilice la herramienta eléctrica mientras la tiene colocada sobre una superficie combustible tal como de madera.** Las chispas pueden prender estos materiales.
- 13. No utilice accesorios que requieran refrigerantes líquidos.** La utilización de agua u otros refrigerantes líquidos puede resultar en electrocución o descarga eléctrica.

Retrocesos bruscos y advertencias relacionadas

El retroceso brusco es la reacción repentina al aprisionamiento o estancamiento de un disco giratorio. El aprisionamiento o estancamiento ocasiona un detención rápida del disco giratorio que a su vez hace que la unidad de corte descontrolada sea forzada hacia arriba en dirección al operario.

Por ejemplo, si el disco abrasivo queda aprisionado o estancado por la pieza de trabajo, el borde del disco que está entrando en el punto de estancamiento puede hincarse en la superficie del material haciendo que el disco se salga de la hendidura o salte. Los discos abrasivos también podrán romperse en estas condiciones. Los retrocesos bruscos se deben a un mal uso de la herramienta eléctrica y/o a procedimientos o condiciones de trabajo incorrectos y pueden evitarse tomando las precauciones indicadas a continuación.

1. **Mantenga la herramienta eléctrica empuñada firmemente y posicione su cuerpo y brazo de forma que pueda resistir las fuerzas del retroceso brusco.** El operario puede controlar las fuerzas de retroceso brusco hacia arriba, si toma las precauciones apropiadas.
2. **No ponga su cuerpo en línea con el disco giratorio.** Si se producen retrocesos bruscos, estos propulsarán la unidad de corte hacia arriba en dirección al operario.
3. **No coloque una cadena de sierra, un disco de tallar madera o un disco de diamante segmentado con una holgura periférica mayor de 10 mm ni un disco de sierra dentado.** Tales discos crean retrocesos bruscos y pérdida de control frecuentes.
4. **No “atasque” el disco ni ejerza presión excesiva. No intente hacer un corte de excesiva profundidad.** Si fatiga en exceso el disco, aumentará la carga y la susceptibilidad de retorcerse o estancarse en el corte y existirá la posibilidad de que se produzca un retroceso brusco o la rotura del disco.
5. **Cuando el disco esté estancándose o cuando quiera interrumpir un corte por cualquier razón, apague la herramienta eléctrica y sujete la unidad de corte sin moverla hasta que el disco se haya detenido completamente. No intente nunca sacar el disco del corte estando el disco moviéndose porque podrá producirse un retroceso brusco.** Investigue y tome medidas correctivas para eliminar la causa del estancamiento del disco.
6. **No reinicie la operación de corte en la pieza de trabajo. Deje que el disco alcance plena velocidad y vuelva a entrar en el corte cuidadosamente.** Si vuelve a poner en marcha la herramienta eléctrica en la pieza de trabajo, el disco podrá estancarse, saltar o retroceder bruscamente.
7. **Sujete cualquier pieza de trabajo demasiado grande para minimizar el riesgo de que el disco se estanque o retroceda bruscamente.** Las piezas de trabajo grandes tienden a combarse con su propio peso. Deberá poner apoyos debajo de la pieza de trabajo cerca de la línea de corte y cerca del borde de la pieza de trabajo en ambos lados del disco.

Advertencias de seguridad adicionales

1. **Tenga cuidado con las chispas que saltan durante la operación.** Éstas pueden causar heridas o prender fuego a materiales combustibles.

2. **Sujete la pieza de trabajo. Utilice mordazas o un tornillo de banco para sujetar la pieza de trabajo cuando sea práctico hacerlo.** Es más seguro que utilizar su mano y le deja libre ambas manos para operar la herramienta.
3. **Sujete el disco de corte con cuidado.**
4. **Tenga cuidado de no dañar el eje, las bridas (especialmente la superficie de instalación) o el perno, o el propio disco de corte podrá romperse.**
5. **Mantenga los protectores en su lugar y en estado de funcionamiento.**
6. **Sujete el mango firmemente.**
7. **Mantenga las manos apartadas de las partes giratorias.**
8. **Asegúrese de que el disco de corte no está haciendo contacto con la pieza de trabajo antes de activar el interruptor.**
9. **Antes de cada utilización, observe por si hay ondulación o vibración excesiva que pueda ser causada por una mala instalación o un disco mal equilibrado.**
10. **Retire del área el material o desechos que puedan prender fuego con las chispas. Asegúrese de que no hay nadie en la trayectoria de las chispas. Mantenga a mano un extintor de incendios apropiado cargado.**
11. **Si el disco de corte se para durante la operación, hace un ruido extraño o empieza a vibrar, apague la herramienta inmediatamente.**
12. **Siempre apague y espere hasta que el disco de corte se pare completamente antes de retirar o sujetar la pieza de trabajo, la mordaza de trabajo, cambiar la posición de trabajo, el ángulo o el propio disco de corte.**
13. **No toque la pieza de trabajo inmediatamente después de la operación; estará muy caliente y podrá quemarle la piel.**
14. **Guarde los discos en un lugar seco solamente.**

GUARDE ESTAS INSTRUCCIONES.

Instrucciones de seguridad importantes para el cartucho de batería

1. **Antes de utilizar el cartucho de batería, lea todas las instrucciones e indicaciones de precaución sobre (1) el cargador de baterías, (2) la batería, y (3) el producto con el que se utiliza la batería.**
2. **No desarme el cartucho de batería.**
3. **Si el tiempo de uso se acorta demasiado, cese la operación inmediatamente. Podría resultar en un riesgo de recalentamiento, posibles quemaduras e incluso una explosión.**
4. **Si entra electrólito en sus ojos, aclárelos con agua limpia y acuda a un médico inmediatamente. Existe el riesgo de poder perder la vista.**
5. **No cortocircuite el cartucho de batería:**
 - (1) **No toque los terminales con ningún material conductor.**
 - (2) **Evite guardar el cartucho de batería en un cajón junto con otros objetos metálicos, como clavos, monedas, etc.**
 - (3) **No exponga el cartucho de batería al agua ni a la lluvia.**

Un cortocircuito en la batería puede producir una gran circulación de corriente, un recalentamiento, posibles quemaduras e incluso una rotura de la misma.

6. No guarde la herramienta y el cartucho de batería en lugares donde la temperatura pueda alcanzar o exceder los 50 °C.
7. Nunca incinere el cartucho de batería incluso en el caso de que esté dañado seriamente o ya no sirva en absoluto. El cartucho de batería puede explotar si se tira al fuego.
8. Tenga cuidado de no dejar caer ni golpear el cartucho de batería.
9. No utilice una batería dañada.
10. Las baterías de litio-ion contenidas están sujetas a los requisitos de la Legislación para Materiales Peligrosos.
Para transportes comerciales, p.ej., por terceras personas y agentes de transportes, se deberán observar requisitos especiales para el empaquetado y etiquetado.
Para la preparación del artículo que se va a enviar, se requiere consultar con un experto en materiales peligrosos. Por favor, observe también la posibilidad de reglamentos nacionales más detallados.
Cubra con cinta aislante o enmascare los contactos expuestos y empaquete la batería de tal manera que no se pueda mover alrededor dentro del embalaje.
11. Siga los reglamentos locales referentes al desecho de la batería.
12. Utilice las baterías solamente con los productos especificados por Makita. La instalación de las baterías en productos no compatibles puede resultar en un incendio, calor excesivo, explosión, o fuga de electrolito.

GUARDE ESTAS INSTRUCCIONES.

⚠PRECAUCIÓN: Utilice solamente baterías genuinas de Makita. La utilización de baterías no genuinas de Makita, o baterías que han sido alteradas, puede resultar en una explosión de la batería ocasionando incendios, heridas personales y daños. También anulará la garantía de Makita para la herramienta y el cargador de Makita.

Consejos para alargar al máximo la vida de servicio de la batería

1. Cargue el cartucho de batería antes de que se descargue completamente. Detenga siempre la operación y cargue el cartucho de batería cuando note menos potencia en la herramienta.
2. No cargue nunca un cartucho de batería que esté completamente cargado. La sobrecarga acortará la vida de servicio de la batería.
3. Cargue el cartucho de batería a temperatura ambiente de 10 °C - 40 °C. Si un cartucho de batería está caliente, déjelo enfriar antes de cargarlo.
4. Cargue el cartucho de batería si no lo utiliza durante un periodo de tiempo prolongado (más de seis meses).

INSTALACIÓN

⚠ADVERTENCIA: Esta herramienta produce chispas cuando corta una pieza de trabajo. No instale esta herramienta en un lugar en el que materiales inflamables y/o explosivos puedan prender fuego con las chispas producidas por la herramienta. Asegúrese también de que no hay cerca de la herramienta tal material antes de comenzar la operación.

Sujeción de la base

Esta herramienta se deberá fijar con dos pernos en una superficie nivelada y estable utilizando los agujeros para pernos provistos en la base de la herramienta. Esto ayudará a evitar que se vuelque y pueda ocasionar heridas personales.

► Fig.1: 1. Agujeros para pernos 2. Base

DESCRIPCIÓN DEL FUNCIONAMIENTO

⚠ADVERTENCIA: Asegúrese siempre de que la herramienta está apagada y el cartucho de batería retirado antes de ajustar o comprobar las funciones de la herramienta. Si no apaga la herramienta y retira el cartucho de batería podrá resultar en heridas personales graves a causa de una puesta en marcha accidental.

Desbloqueo/bloqueo del cabezal de la herramienta

El cabezal de la herramienta se puede bloquear. Bloquee siempre el cabezal de la herramienta cuando no la esté utilizando o la transporte.

Para desbloquear, baje ligeramente el cabezal de la herramienta y empuje el pasador de bloqueo. Para bloquear, retorne el pasador de bloqueo mientras mantiene bajado el cabezal de la herramienta.

► Fig.2: 1. Pasador de bloqueo

Instalación o extracción del cartucho de batería

⚠PRECAUCIÓN: Apague siempre la herramienta antes de instalar o retirar el cartucho de batería.

⚠PRECAUCIÓN: Sujete la herramienta y el cartucho de batería firmemente cuando instale o retire el cartucho de batería. Si no sujeta la herramienta y el cartucho de batería firmemente podrán caérsele de las manos y resultar en daños a la herramienta y al cartucho de batería y heridas personales.

► Fig.3: 1. Indicador rojo 2. Botón 3. Cartucho de batería

Para retirar el cartucho de batería, deslícelo de la herramienta mientras desliza el botón de la parte frontal del cartucho.

Para instalar el cartucho de batería, alinee la lengüeta del cartucho de batería con la ranura de la carcasa y deslícelo hasta que encaje en su sitio. Insértelo a tope hasta que se bloquee en su sitio produciendo un pequeño chasquido. Si puede ver el indicador rojo en el lado superior del botón, no estará bloqueado completamente.

⚠️PRECAUCIÓN: Instale siempre el cartucho de batería completamente hasta que no pueda verse el indicador rojo. En caso contrario, podrá caerse accidentalmente de la herramienta y ocasionarle heridas a usted o a alguien que esté cerca de usted.

⚠️PRECAUCIÓN: No instale el cartucho de batería empleando fuerza. Si el cartucho no se desliza al interior fácilmente, será porque no está siendo insertado correctamente.

NOTA: La herramienta no funciona con solo un cartucho de batería.

Sistema de protección de la herramienta / batería


La herramienta está equipada con un sistema de protección de la herramienta/batería. Este sistema corta automáticamente la alimentación del motor para alargar la vida útil de la herramienta y la batería. La herramienta se detendrá automáticamente durante la operación si la herramienta o la batería es puesta en una de las condiciones siguientes. En algunas condiciones, los indicadores se iluminan.

Protección contra sobrecarga

Cuando la herramienta sea operada de una manera que le haga absorber una corriente anormalmente alta, la herramienta se detendrá automáticamente. En esta situación, apague la herramienta y detenga la tarea que ocasiona la sobrecarga de la herramienta. Después encienda la herramienta para volver a empezar.


Protección contra el recalentamiento

Cuando la herramienta se recalienta, se detiene automáticamente, y el indicador de batería parpadea unos 60 segundos. En esta situación, deje que la herramienta se enfríe antes de encenderla otra vez.

■ Encendido	▣ Parpadeando
	

Protección contra descarga excesiva



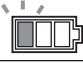

Cuando la capacidad de batería se vuelve baja, la herramienta se detiene automáticamente y el indicador de batería del cartucho de batería agotado parpadea. Si el producto no funciona aun cuando los interruptores sean accionados, retire el cartucho de batería agotado de la herramienta y cárguelo.

▣ Parpadeando	□ Apagado
	

Modo de indicar la capacidad de batería restante

► **Fig.4:** 1. Indicador de batería 2. Botón de comprobación

Presione el botón de comprobación para indicar las capacidades de batería restantes. Los indicadores de batería corresponden a cada batería.

Estado del indicador de batería			Capacidad de batería restante
■ Encendido	□ Apagado	▣ Parpadeando	
			50% a 100%
			20% a 50%
			0% a 20%
			Cargue la batería

Modo de indicar la capacidad de batería restante

Solamente para cartuchos de batería con el indicador

► **Fig.5:** 1. Lámparas indicadoras 2. Botón de comprobación

Presione el botón de comprobación en el cartucho de batería para indicar la capacidad de batería restante. Las lámparas indicadoras se iluminan durante unos pocos segundos.

Lámparas indicadoras			Capacidad restante
■ Iluminada	□ Apagada	▣ Parpadeando	
■ ■ ■ ■			75% a 100%
■ ■ ■ □			50% a 75%
■ ■ □ □			25% a 50%
■ □ □ □			0% a 25%
▣ □ □ □			Cargue la batería.
■ ■ □ □		▣	Puede que la batería no esté funcionando bien.

NOTA: Dependiendo de las condiciones de utilización y de la temperatura ambiente, la indicación podrá variar ligeramente de la capacidad real.

Accionamiento del interruptor

⚠ ADVERTENCIA: Antes de insertar el cartucho de batería en la herramienta, compruebe siempre para cerciorarse de que el gatillo interruptor se acciona debidamente y que vuelve a la posición "OFF" cuando lo suelta.

► Fig.6: 1. Botón de desbloqueo 2. Gatillo interruptor

Para evitar que el gatillo interruptor pueda accionarse accidentalmente, se ha provisto un botón de desbloqueo. Para poner en marcha la herramienta, presione el botón de desbloqueo y apriete el gatillo interruptor. Suelte el gatillo interruptor para parar.

⚠ ADVERTENCIA: No anule NUNCA la función del botón de desbloqueo sujetándolo con cinta adhesiva o alguna otra manera. Un interruptor con un botón de desbloqueo anulado puede resultar en una puesta en marcha involuntaria y a heridas personales graves.

⚠ ADVERTENCIA: No utilice NUNCA la herramienta si se pone en marcha cuando usted simplemente aprieta el gatillo interruptor sin presionar el botón de desbloqueo. Un interruptor con necesidad de reparación puede resultar en una puesta en marcha involuntaria y a heridas personales graves. Lleve la herramienta a un centro de servicio Makita para que le hagan las reparaciones apropiadas ANTES de seguir utilizándola.

AVISO: No apriete con fuerza el gatillo interruptor sin presionar hacia dentro el botón de desbloqueo. Podría romper el interruptor.

Indicador de estado de carga

El indicador de estado de carga muestra el nivel de la carga en el motor durante la operación de corte. A medida que aumenta la carga en el motor, aumenta el número de lámparas iluminadas.

► Fig.7: 1. Indicador de estado de carga

Alerta de sobrecarga

Si se hace funcionar el motor con una carga excesiva, todas las lámparas del indicador de estado de carga parpadearán. En este caso, reduzca la carga en el motor. Si continúa cargando el motor mientras el indicador de estado de carga está parpadeando, la herramienta se detendrá automáticamente en unos pocos segundos debido a la protección contra sobrecarga.

NOTA: Si se genera una carga excesiva de inmediato, la herramienta se detendrá automáticamente sin que el indicador de estado de carga parpadee.

Intervalo entre la mordaza y la placa guía

⚠ PRECAUCIÓN: Después de ajustar el intervalo entre la mordaza y la placa guía, asegúrese de que la placa guía está sujeta debidamente. Una fijación insuficiente puede resultar en heridas personales.

Hay disponibles los ajustes de intervalo siguientes para la mordaza:

- 0 - 170 mm (ajuste original)
- 35 - 205 mm
- 70 - 240 mm

Si su tarea requiere un ajuste diferente, proceda de la forma siguiente para cambiar el espaciamiento o intervalo.

Afloje el tornillo de la placa guía. Mueva la placa guía hasta la posición deseada y después apriete el tornillo.

► Fig.8: 1. Tornillo 2. Placa guía

Ajuste del ángulo de corte

⚠ PRECAUCIÓN: Después de ajustar el ángulo de la placa guía, asegúrese de que la placa guía está sujeta debidamente. Una fijación insuficiente puede resultar en heridas personales.

⚠ PRECAUCIÓN: No utilice la herramienta cuando el material no esté sujetado firmemente con el tornillo de banco debido al ángulo de corte.

Gire la palanca hacia la izquierda. Mueva la placa guía hasta el ángulo deseado y apriete la palanca completamente.

► Fig.9: 1. Placa guía 2. Palanca

NOTA: La escala de la placa guía es solamente una indicación aproximada. Para un ángulo más preciso, utilice un transportador o una escuadra. Mantenga el mango bajado de forma que el disco de corte se prolongue al interior de la base. Al mismo tiempo, ajuste el ángulo entre la placa guía y el disco de corte con un transportador o escuadra.

Ajuste del parachispas

Específico para cada país

El parachispas se instala en fábrica con su borde inferior haciendo contacto con la base. Si se utiliza la herramienta en esta posición ocasionará que salten muchas chispas. Afloje el tornillo y ajuste el parachispas en una posición en la que salte el mínimo de chispas.

► Fig.10: 1. Tornillo 2. Parachispas

Función electrónica

Las herramientas equipadas con función electrónica son fáciles de utilizar gracias a la(s) característica(s) siguiente(s).

Característica de inicio suave

Inicio suave gracias a la supresión del golpe de arranque.

MONTAJE

⚠ADVERTENCIA: Asegúrese siempre de que la herramienta está apagada y el cartucho de batería retirado antes de trabajar en la herramienta. El no apagar y retirar el cartucho de batería puede resultar en heridas personales graves.

Apertura del protector de seguridad tipo cubierta central

Específico para cada país

Para las herramientas con protector de seguridad tipo cubierta central, afloje el tornillo de fijación primero y después suba el protector.

► Fig.11: 1. Tornillo de fijación

Apertura del protector de seguridad tipo europeo

Específico para cada país

Para las herramientas con protector de seguridad tipo europeo, afloje el tornillo de fijación primero y después abra el protector como se muestra.

► Fig.12: 1. Tornillo de fijación

► Fig.13

► Fig.14

Desmontaje o instalación del disco de corte

⚠PRECAUCIÓN: Asegúrese de apretar la pinza manual firmemente. Un apriete insuficiente puede resultar en heridas graves.

⚠PRECAUCIÓN: Utilice siempre únicamente las bridas interior y exterior correctas que se proveen con esta herramienta.

⚠PRECAUCIÓN: Baje siempre el protector de seguridad después de reemplazar el disco de corte.

⚠PRECAUCIÓN: Póngase guantes cuando maneje discos.

Suba el protector de seguridad. Gire la pinza manual hacia la izquierda mientras mantiene bajado el bloqueo del eje. Después retire la pinza manual, la brida exterior y el disco de corte. Cuando retire el disco de corte, no retire la brida interior, así como el anillo y la junta tórica.

► Fig.15: 1. Bloqueo del eje 2. Pinza manual

► Fig.16: 1. Brida interior 2. Anillo 3. Junta tórica 4. Disco de corte 5. Brida exterior 6. Pinza manual

Para instalar el disco de corte, siga los procedimientos de desmontaje a la inversa. Asegúrese de encajar el agujero del disco de corte en el anillo y retornar el protector de seguridad.

OPERACIÓN

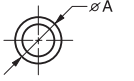
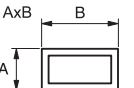
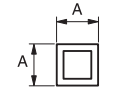

⚠PRECAUCIÓN: La presión apropiada sobre el mango durante el corte y la máxima eficacia de corte se pueden determinar mediante la cantidad de chispas que se producen durante el corte. No fuerce el corte aplicando presión excesiva sobre el mango. Puede resultar en una menor eficacia de corte, desgaste prematuro del disco, así como posibles daños a la herramienta, el disco de corte o la pieza de trabajo.

Sujete el mango firmemente. Encienda la herramienta y espere hasta que el disco de corte haya alcanzado plena velocidad antes de bajar con cuidado hasta el corte. Cuando el disco de corte entre en contacto con la pieza de trabajo, empuje el mango hacia abajo gradualmente para realizar el corte. Cuando haya completado el corte, apague la herramienta y espere hasta que el disco de corte se haya parado completamente antes de retornar el mango a la posición completamente elevada.

Capacidad de corte

La capacidad de corte máxima varía dependiendo del ángulo de corte y la forma de la pieza de trabajo.

Capacidad de corte máxima con un disco de corte completamente nuevo

Ángulo de corte / Forma de la pieza de trabajo	90°	45°
	ø127 mm	ø127 mm
	115 x 130 mm 102 x 194 mm 70 x 233 mm	115 x 103 mm
	119 x 119 mm	106 x 106 mm
	137 x 137 mm	100 x 100 mm

NOTA: Para cortar con esta herramienta se recomienda una pieza de trabajo más fina de 1,6 mm.

Sujeción de la pieza de trabajo

⚠PRECAUCIÓN: Ponga siempre el soporte de rosca en la rosca del eje cuando sujete la pieza de trabajo. En caso contrario podrá resultar en una insuficiente sujeción de la pieza de trabajo. Esto puede ocasionar que la pieza de trabajo salga expulsada o una peligrosa rotura del disco de corte.

Mientras el soporte de rosca está levantado, la placa de mordaza se puede mover hacia dentro y afuera rápidamente. Para sujetar una pieza de trabajo, empuje el mango hasta que la placa de mordaza haga contacto con la pieza de trabajo y después retorne el soporte de rosca. Gire el mango hacia la derecha hasta que la pieza de trabajo esté retenida firmemente.

► **Fig.17:** 1. Mango 2. Soporte de rosca 3. Placa de mordaza

Cuando el disco de corte se haya desgastado considerablemente, ponga un bloque espaciador detrás de la pieza de trabajo como se muestra en la figura. Podrá utilizar más eficazmente el disco desgastado utilizando el punto medio de la periferia del disco para cortar la pieza de trabajo. Utilice un material robusto y no inflamable para el bloque espaciador.

► **Fig.18:** 1. Bloque espaciador

Cuando corte piezas de trabajo de más de 85 mm de ancho en ángulo, coloque una pieza de madera recta (espaciador) de más de 190 mm de largo x 40 mm de ancho en la placa guía como se muestra en la figura. Coloque este espaciador con tornillos a través de los agujeros en la placa guía. Asegúrese de que el disco de corte no hace contacto con el espaciador cuando el cabezal de la herramienta está bajado.

► **Fig.19:** 1. Placa guía 2. Bloque espaciador (más de 190 mm de largo x40 mm de ancho) 3. Pieza de trabajo (más de 85 mm de ancho) 4. Placa de mordaza

AVISO: Cuando utilice un bloque espaciador, instale la placa guía en la posición más cercana al cuello del cabezal de la herramienta.

► **Fig.20**

Cuando el disco de corte se haya desgastado, suba la posición de corte poniendo un bloque espaciador que sea ligeramente más estrecho que la pieza de trabajo como se muestra en la figura. Esto le ayudará a utilizar el disco de corte económicamente.

► **Fig.21:** 1. Placa de mordaza 2. Diámetro de la pieza de trabajo 3. Placa guía 4. Anchura del bloque espaciador

Las piezas de trabajo largas deberán ser apoyadas sobre bloques a cada lado de forma que queden a nivel con la parte superior de la base. Utilice un material no inflamable para los bloques de apoyo.

► **Fig.22:** 1. Bloque de apoyo

Transporte de la herramienta

Antes de transportar, retire las baterías y pliegue el cabezal de la herramienta, y bloquéelo. Sujete por el mango cuando transporte.

► **Fig.23**

MANTENIMIENTO

PRECAUCIÓN: Asegúrese siempre de que la herramienta está apagada y de que el cartucho de batería está retirado antes de intentar hacer una inspección o mantenimiento.

AVISO: No utilice nunca gasolina, bencina, disolvente, alcohol o similares. Podría producir descoloración, deformación o grietas.

Para mantener la SEGURIDAD y FIABILIDAD del producto, las reparaciones, y cualquier otra tarea de mantenimiento o ajuste deberán ser realizadas en centros de servicio o de fábrica autorizados por Makita, empleando siempre repuestos Makita.

ACCESORIOS OPCIONALES

PRECAUCIÓN: Estos accesorios o aditamentos están recomendados para su uso con la herramienta Makita especificada en este manual. El uso de cualquier otro accesorio o aditamento puede suponer un riesgo de heridas personales. Utilice el accesorio o aditamento solamente con la finalidad indicada para el mismo.

Si necesita cualquier ayuda para más detalles en relación con estos accesorios, pregunte al centro de servicio Makita local.

- Discos de corte abrasivo
- Batería y cargador genuinos de Makita

NOTA: Algunos elementos de la lista podrán estar incluidos en el paquete de la herramienta como accesorios estándar. Pueden variar de un país a otro.

ESPECIFICAÇÕES

Modelo:		DLW140
Diâmetro do disco		355 mm
Diâmetro do orifício		25,4 mm
Espessura máx. do disco		3 mm
Velocidade em vazio		3.800 min ⁻¹
Tensão nominal		C.C. 36 V
Dimensões (C x L x A)	Com resguardo de segurança de tipo europeu	537 mm x 290 mm x 640 mm
	Com resguardo de segurança diferente do tipo europeu	537 mm x 280 mm x 640 mm
	Com resguardo de segurança de tipo tampa central	537 mm x 280 mm x 640 mm
Peso líquido	Com resguardo de segurança de tipo europeu	17,2 - 17,8 kg
	Com resguardo de segurança diferente do tipo europeu	15,6 - 16,3 kg
	Com resguardo de segurança de tipo tampa central	15,4 - 16,0 kg

- Devido a um programa contínuo de pesquisa e desenvolvimento, estas especificações estão sujeitas a alteração sem aviso prévio.
- As especificações podem variar de país para país.
- O peso poderá diferir em função do acessório(s), incluindo a bateria. A combinação mais leve e mais pesada, de acordo com o Procedimento EPTA 01/2014, é apresentada na tabela.
- A forma e peso variam dependendo das especificações que diferem de país para país.

Bateria e carregador aplicável

Bateria	BL1815N / BL1820 / BL1820B / BL1830 / BL1830B / BL1840 / BL1840B / BL1850 / BL1850B / BL1860B
Carregador	DC18RC / DC18RD / DC18RE / DC18SD / DC18SE / DC18SF

- Algumas das baterias e carregadores listados acima poderão não estar disponíveis, dependendo da sua região de residência.

⚠ AVISO: Utilize apenas as baterias e carregadores listados acima. A utilização de quaisquer outras baterias e carregadores pode causar ferimentos e/ou um incêndio.

Utilização a que se destina

A ferramenta foi concebida para corte de materiais ferrosos com disco de corte abrasivo apropriado. Observe todas as leis e regulamentos do seu país relativos à poeira e à saúde e segurança na área de trabalho.

Ruído

A característica do nível de ruído A determinado de acordo com a EN62841-3-10:
 Nível de pressão acústica (L_{pA}): 103 dB (A)
 Nível de potência acústica (L_{WA}): 115 dB (A)
 Variabilidade (K): 3 dB (A)

⚠ AVISO: Utilize protetores auriculares.

Vibração

Valor total da vibração (soma vetorial tri-axial) determinado de acordo com a EN62841-3-10:

Emissão de vibração (a_h): 2,5 m/s²

Variabilidade (K): 1,5 m/s²

NOTA: O valor da emissão de vibração indicado foi medido de acordo com o método de teste padrão e pode ser utilizado para comparar duas ferramentas.

NOTA: O valor da emissão de vibração indicado pode também ser utilizado na avaliação preliminar da exposição.

⚠️ AVISO: A emissão de vibração durante a utilização real da ferramenta elétrica pode diferir do valor de emissão indicado, dependendo das formas como a ferramenta é utilizada.

⚠️ AVISO: Certifique-se de identificar as medidas de segurança para proteção do operador que sejam baseadas em uma estimativa de exposição em condições reais de utilização (considerando todas as partes do ciclo de operação, tal como quando a ferramenta está desligada e quando está a funcionar em marcha lenta além do tempo de acionamento).

Declaração de conformidade da CE

Apenas para os países europeus

A declaração de conformidade da CE está incluída como Anexo A neste manual de instruções.

AVISOS DE SEGURANÇA

Avisos gerais de segurança para ferramentas elétricas

⚠️ AVISO: Leia todos os avisos de segurança, instruções, ilustrações e especificações fornecidos com esta ferramenta elétrica. O não cumprimento de todas as instruções indicadas em baixo pode resultar em choque elétrico, incêndio e/ou ferimentos graves.

Guarde todos os avisos e instruções para futuras referências.

O termo "ferramenta elétrica" nos avisos refere-se às ferramentas elétricas ligadas à corrente elétrica (com cabo) ou às ferramentas elétricas operadas por meio de bateria (sem cabo).

Avisos de segurança da serra rápida

1. **Coloque-se afastado do plano do disco rotativo, bem como as outras pessoas.** O resguardo ajuda a proteger o operador dos fragmentos do disco partidos e do contacto acidental com o disco.
2. **Utilize apenas discos de corte unidos reforçados na ferramenta elétrica.** Pelo facto de um acessório poder ser ligado à ferramenta elétrica, isso não garante uma operação segura.
3. **A velocidade nominal do acessório tem de ser, pelo menos, igual à velocidade máxima marcada na ferramenta elétrica.** Os acessórios que se deslocam mais depressa do que a respetiva velocidade nominal podem partir e ser arremessados pelo ar.
4. **Os discos só podem ser utilizados para as aplicações recomendadas. Por exemplo: não amole com a lateral de um disco de corte.** Os discos de corte abrasivos foram concebidos para a moagem periférica. Se forem aplicadas forças laterais, estes discos podem estilhaçar-se.
5. **Utilize sempre flanges de discos não danificadas, com o diâmetro correto, para o disco selecionado.** As flanges dos discos adequadas suportam o disco reduzindo, assim, a possibilidade de quebra do disco.

6. **O diâmetro externo e a espessura do seu acessório devem estar dentro da classificação de capacidade da ferramenta elétrica.** Os acessórios com uma dimensão incorreta, não podem ser adequadamente protegidos com o resguardo ou controlados.
7. **O tamanho da ancoragem dos discos e flanges tem de ser adequado para o eixo da ferramenta elétrica.** Os discos e flanges com orifícios de ancoragem que não correspondem ao hardware de montagem da ferramenta elétrica ficarão desequilibrados, vibrarão excessivamente e podem provocar perda de controlo.
8. **Não utilize discos danificados. Antes de cada utilização, inspecione os discos para ver se apresentam lascas e rachas. Se deixar cair a ferramenta elétrica ou o disco, inspecione para ver se estão danificados ou instale um disco não danificado. Depois de inspecionar e instalar o disco, coloque-se afastado do plano do disco rotativo, bem como as outras pessoas, e ponha a ferramenta elétrica a funcionar à velocidade máxima sem carga durante um minuto.** Normalmente, os discos danificados partem-se durante este momento de teste.
9. **Utilize equipamento de proteção pessoal. Dependendo da aplicação, utilize um protetor facial, óculos de segurança ou óculos de proteção. Conforme adequado, utilize máscara para o pó, protetores auditivos, luvas e aventais de trabalho com capacidade para impedir a penetração de pequenos materiais abrasivos ou fragmentos da peça de trabalho.** A proteção ocular tem de ter capacidade para travar os resíduos voadores gerados por várias operações. A máscara para o pó ou o respirador tem de ter capacidade para filtrar as partículas geradas pelo funcionamento. A exposição prolongada a ruídos de alta intensidade pode provocar perda auditiva.
10. **Mantenha as pessoas a uma distância segura da área de trabalho. Todas as pessoas que entrem na área de trabalho têm de usar equipamento de proteção pessoal.** Os fragmentos da peça de trabalho ou de um disco partido podem ser lançados pelo ar e provocar ferimentos além da área de operação imediata.
11. **Limpe regularmente os ventiladores de ar da ferramenta elétrica.** A ventoinha do motor pode puxar a poeira para dentro da caixa e a acumulação excessiva de metal em pó pode provocar perigos elétricos.
12. **Não utilize a ferramenta elétrica junto de materiais inflamáveis. Não utilize a ferramenta elétrica sobre uma superfície combustível, como a madeira.** As faíscas podem inflamar estes materiais.
13. **Não utilize acessórios que necessitem de refrigerantes líquidos.** A utilização de água ou outros refrigerantes líquidos pode resultar em eletrocussão ou choque.

Resalto e avisos relacionados

O resalto é uma reação súbita a um disco rotativo preso ou apertado. As prisões ou apertos provocam paragens rápidas do disco rotativo o que, por sua vez, faz com que a unidade de corte descontrolada seja forçada para cima, em direção ao operador.

Por exemplo, se um disco abrasivo ficar preso ou for apertado pela peça de trabalho, a extremidade do disco que entra dentro do ponto de prisão pode escavar a superfície do material fazendo com que o disco suba na peça de trabalho ou dê um ressalto. Os discos abrasivos pode também partir-se nestas condições. O ressalto é o resultado de má utilização da ferramenta elétrica e/ou de procedimentos ou condições de funcionamento incorretos e pode ser evitado tomado as precauções adequadas, como indicado em baixo.

1. **Mantenha a ferramenta elétrica bem segura e posicione o seu corpo e braço de forma a permitir a resistência às forças do ressalto.** O operador pode controlar as forças de ressalto ascendentes se forem tomadas as precauções adequadas.
2. **Não posicione o seu corpo em linha com o disco rotativo.** Se ocorrer ressalto, este irá impelir a unidade de corte para cima, em direção ao operador.
3. **Não fixe uma corrente de serra, uma lâmina de entalhe de madeira, um disco diamantado segmentado com uma folga periférica superior a 10 mm ou com uma lâmina de serra dentada.** Estas lâminas criam ressaltos frequentes e perda de controlo.
4. **Não “encrave” o disco nem exerça pressão excessiva.** Não tente realizar um corte com uma profundidade excessiva. Sobrecarregar o disco aumenta a carga e a suscetibilidade de torcer ou amolgar o disco no corte e a possibilidade de ressalto ou a quebra do disco.
5. **Quando o disco está amolgado ou quando interrompe o corte por qualquer motivo, desligue a ferramenta elétrica e mantenha a unidade de corte parada até o disco parar completamente.** Nunca tente remover o disco do corte enquanto o disco está em movimento, caso contrário pode ocorrer ressalto. Investigue e tome as medidas corretivas para eliminar a razão pela qual o disco ficou amolgado.
6. **Não reinicie a operação de corte na peça de trabalho. Deixe o disco atingir a velocidade máxima e volte a entrar no corte, cuidadosamente.** O disco pode amolgar, trepar ou ressaltar se a ferramenta elétrica for reiniciada na peça de trabalho.
7. **Suporte as peças de trabalho de maiores dimensões para minimizar o risco de prisões do disco e ressaltos.** As peças de trabalho grandes tendem a abater mediante o seu próprio peso. Os suportes têm de ser colocados por baixo da peça de trabalho, junto da linha de corte e junto à extremidade da peça de trabalho, em ambos os lados do disco.

Avisos de segurança adicionais

1. **Tenha cuidado com as faíscas quando está a trabalhar.** Podem provocar ferimentos ou incendiar materiais combustíveis.
2. **Fixe a peça de trabalho. Utilize braçadeiras de aperto ou um torno de bancada para segurar a peça de trabalho, sempre que for prático.** É mais seguro do que usar as mãos e deixa as mãos livres para operar a ferramenta.
3. **Prenda o disco de corte cuidadosamente.**
4. **Tenha cuidado para não danificar o eixo, as flanges (especialmente a superfície de instalação) ou o perno, pois o próprio disco de corte pode partir.**
5. **Mantenha os resguardos no lugar e em boas condições de funcionamento.**

6. **Segure a pega firmemente.**
7. **Mantenha as mãos afastadas das peças em rotação.**
8. **Certifique-se de que o disco de corte não está em contacto com a peça de trabalho antes de ligar o interruptor.**
9. **Antes de cada utilização, preste atenção a movimentos irregulares ou vibrações excessivas que possam indicar má instalação ou desequilíbrio do disco.**
10. **Retire materiais ou fragmentos da área que pode ser atingida pelas faíscas.** Certifique-se de que não está ninguém num local onde possa ser atingido pelas faíscas. Mantenha um extintor de incêndios em condições de funcionamento num local próximo.
11. **Se o disco de corte parar durante a operação, produzir um ruído anormal ou começar a vibrar, desligue imediatamente a ferramenta.**
12. **Desligue sempre a ferramenta e espere que o disco de corte esteja completamente parado antes de retirar ou prender a peça de trabalho, o torno de trabalho, mudar a posição de trabalho, o ângulo ou o próprio disco de corte.**
13. **Não toque na peça de trabalho imediatamente depois da operação; está extremamente quente e pode provocar queimaduras.**
14. **Guarde os discos só em locais secos.**

GUARDE ESTAS INSTRUÇÕES.

Instruções de segurança importantes para a bateria

1. **Antes de utilizar a bateria, leia todas as instruções e etiquetas de precaução no (1) carregador de bateria (2) bateria e (3) produto que utiliza a bateria.**
2. **Não abra a bateria.**
3. **Se o tempo de funcionamento se tornar excessivamente curto, pare o funcionamento imediatamente.** Pode resultar em sobreaquecimento, possíveis queimaduras e mesmo explosão.
4. **Se entrar eletrólito nos seus olhos, lave-os com água e consulte imediatamente um médico.** Pode resultar em perda de visão.
5. **Não coloque a bateria em curto-circuito:**
 - (1) **Não toque nos terminais com qualquer material condutor.**
 - (2) **Evite guardar a bateria juntamente com outros objetos metálicos tais como pregos, moedas, etc.**
 - (3) **Não exponha a bateria à água ou chuva.** Um curto-circuito pode ocasionar um enorme fluxo de corrente, sobreaquecimento, possíveis queimaduras e mesmo estragar-se.
6. **Não guarde a ferramenta e a bateria em locais onde a temperatura pode atingir ou exceder 50°C.**
7. **Não queime a bateria mesmo que esteja estragada ou completamente gasta.** A bateria pode explodir no fogo.
8. **Tenha cuidado para não deixar cair ou dar pancadas na bateria.**
9. **Não utilize uma bateria danificada.**

10. **As baterias de íões de lítio contidas na ferramenta são sujeitas aos requisitos da DGL (Dangerous Goods Legislation - Legislação de bens perigosos).**

Para o transporte comercial, por exemplo, por terceiros ou agentes de expedição, têm de ser observados os requisitos referentes à embalagem e etiquetagem.

Para preparação do artigo a ser expedido, é necessário consultar um perito em materiais perigosos. Tenha ainda em conta a possibilidade de existirem regulamentos nacionais mais detalhados.

Coloque fita-cola ou tape os contactos abertos e embale a bateria de tal forma que não possa mover-se dentro da embalagem.

11. **Siga os regulamentos locais relacionados com a eliminação de baterias.**
12. **Utilize as baterias apenas com os produtos especificados pela Makita.** Instalar as baterias em produtos não-conformes poderá resultar num incêndio, calor excessivo, explosão ou fuga de eletrólito.

GUARDE ESTAS INSTRUÇÕES.

⚠️PRECAUÇÃO: Utilize apenas baterias genuínas da Makita. A utilização de baterias não genuínas da Makita ou de baterias que foram alteradas, pode resultar no rebentamento da bateria provocando incêndios, ferimentos pessoais e danos. Além disso, anulará a garantia da Makita no que se refere à ferramenta e ao carregador Makita.

Conselhos para manter a máxima vida útil da bateria

1. Carregue a bateria antes que esteja completamente descarregada. Pare sempre o funcionamento da ferramenta e carregue a bateria quando notar menos poder na ferramenta.
2. Nunca carregue uma bateria completamente carregada. Carregamento excessivo diminui a vida útil da bateria.
3. Carregue a bateria à temperatura ambiente de 10°C – 40°C. Deixe que uma bateria quente arrefeça antes de a carregar.
4. Carregue a bateria se não a utilizar durante um longo período de tempo (mais de seis meses).

INSTALAÇÃO

⚠️AVISO: Esta ferramenta produz faíscas durante o corte de uma peça de trabalho. Não instale esta ferramenta num local onde estejam materiais inflamáveis e/ou explosivos que possam incendiar-se com as faíscas libertadas pela ferramenta. Certifique-se ainda de que não existe este tipo de material perto da ferramenta antes de iniciar a operação.

Fixar a base

Esta ferramenta deve ser presa com dois pernos numa superfície nivelada e estável utilizando os orifícios para pernos existentes na base da ferramenta. Isto ajudará a evitar que a ferramenta tombe e provoque ferimentos.

► **Fig.1:** 1. Orifícios para pernos 2. Base

DESCRIÇÃO FUNCIONAL

⚠️AVISO: Certifique-se sempre de que a ferramenta esteja desligada e a bateria retirada antes de regular ou inspecionar qualquer função da ferramenta. Se não desligar a ferramenta e retirar a bateria pode provocar o arranque accidental e resultar em ferimentos pessoais graves.

Desbloquear/Bloquear a cabeça da ferramenta

A cabeça da ferramenta pode ser bloqueada. Bloqueie sempre a cabeça da ferramenta quando não estiver a utilizá-la ou quando a transportar.

Para desbloquear, pressione ligeiramente a cabeça da ferramenta e empurre o pino de bloqueio. Para bloquear, volte a colocar o pino de bloqueio ao mesmo tempo que mantém a cabeça da ferramenta em baixo.

► **Fig.2:** 1. Pino de bloqueio

Instalação ou remoção da bateria

⚠️PRECAUÇÃO: Desligue sempre a ferramenta antes de colocar ou retirar a bateria.

⚠️PRECAUÇÃO: Segure firmemente a ferramenta e a bateria quando instalar ou remover a bateria. Se não segurar firmemente a ferramenta e a bateria pode fazer com que escorreguem das suas mãos resultando em danos na ferramenta e na bateria e ferimentos pessoais.

► **Fig.3:** 1. Indicador vermelho 2. Botão 3. Bateria

Para retirar a bateria, deslize-a para fora da ferramenta enquanto desliza o botão na frente da bateria.

Para instalar a bateria, alinhe a lingueta da bateria com a ranhura no compartimento e deslize-a no lugar. Empurre-a até o fim para que a mesma encaixe no lugar com um clique. Se puder ver a parte vermelha no lado superior do botão, significa que não está completamente bloqueada.

⚠️PRECAUÇÃO: Instale sempre a bateria até ao fim, até deixar de ver o indicador vermelho. Caso contrário, a bateria poderá cair da ferramenta accidentalmente e provocar ferimentos em si mesmo ou em alguém próximo.

⚠️PRECAUÇÃO: Não instale a bateria à força. Se a bateria não deslizar facilmente é porque não foi colocada corretamente.

NOTA: A ferramenta não funciona com apenas uma bateria.

Sistema de proteção da ferramenta/bateria

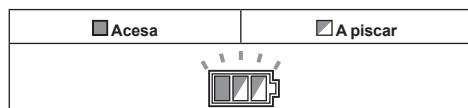
A ferramenta está equipada com um sistema de proteção da ferramenta/bateria. Este sistema corta automaticamente a corrente ao motor para prolongar a vida útil da ferramenta e da bateria. A ferramenta para automaticamente durante o funcionamento se a ferramenta ou a bateria se encontrarem numa das seguintes condições. Nalgumas condições, a luz indicadora acende.

Proteção contra sobrecarga

Quando a ferramenta estiver a ser operada de forma a causar uma absorção de corrente anormalmente elevada, a ferramenta para automaticamente. Nesta situação, desligue a ferramenta e pare a aplicação que causou a sobrecarga da ferramenta. De seguida, ligue a ferramenta e reinicie.

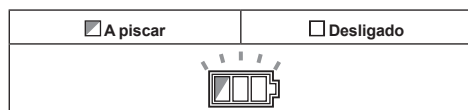
Proteção contra sobreaquecimento

Quando a ferramenta estiver sobreaquecida, a ferramenta para automaticamente e o indicador da bateria pisca cerca de 60 segundos. Nesta situação, deixe a ferramenta arrefecer antes de ligar novamente a ferramenta.



Proteção contra descarga excessiva

Quando a capacidade da bateria ficar fraca, a ferramenta para automaticamente e o indicador da bateria gasta fica intermitente. Se o produto não funcionar mesmo quando os interruptores são acionados, retire a bateria gasta da ferramenta e carregue-a.



Indicação da capacidade restante da bateria

► **Fig.4:** 1. Indicador da bateria 2. Botão de verificação
Prima o botão de verificação para indicar a capacidade restante das baterias. Os indicadores da bateria correspondem a cada bateria.

Estado dos indicadores da bateria			Capacidade restante da bateria
<input checked="" type="checkbox"/> Aceso	<input type="checkbox"/> Apagado	<input checked="" type="checkbox"/> A piscar	
<input checked="" type="checkbox"/>	<input checked="" type="checkbox"/>	<input checked="" type="checkbox"/>	50% a 100%
<input checked="" type="checkbox"/>	<input checked="" type="checkbox"/>	<input type="checkbox"/>	20% a 50%
<input checked="" type="checkbox"/>	<input type="checkbox"/>	<input type="checkbox"/>	0% a 20%
<input type="checkbox"/>	<input type="checkbox"/>	<input type="checkbox"/>	Carregar a bateria

Indicação da capacidade restante da bateria

Apenas para baterias com indicador

► **Fig.5:** 1. Luzes indicadoras 2. Botão de verificação

Prima o botão de verificação na bateria para indicar a capacidade restante da bateria. As luzes indicadoras acendem durante alguns segundos.

Luzes indicadoras			Capacidade restante
<input checked="" type="checkbox"/> Aceso	<input type="checkbox"/> Apagado	<input checked="" type="checkbox"/> A piscar	
<input checked="" type="checkbox"/>	<input checked="" type="checkbox"/>	<input checked="" type="checkbox"/>	75% a 100%
<input checked="" type="checkbox"/>	<input checked="" type="checkbox"/>	<input type="checkbox"/>	50% a 75%
<input checked="" type="checkbox"/>	<input type="checkbox"/>	<input type="checkbox"/>	25% a 50%
<input type="checkbox"/>	<input type="checkbox"/>	<input type="checkbox"/>	0% a 25%
<input checked="" type="checkbox"/>	<input type="checkbox"/>	<input type="checkbox"/>	Carregar a bateria.
<input checked="" type="checkbox"/>	<input type="checkbox"/>	<input type="checkbox"/>	A bateria pode estar avariada.

NOTA: Dependendo das condições de utilização e da temperatura ambiente, a indicação pode ser ligeiramente diferente da capacidade real.

Ação do interruptor

AVISO: Antes de colocar a bateria na ferramenta, verifique sempre se o gatilho do interruptor funciona corretamente e volta para a posição "OFF" quando libertado.

► **Fig.6:** 1. Botão de desbloqueio 2. Gatilho

Para evitar que o gatilho seja puxado acidentalmente, a ferramenta está equipada com um botão de desbloqueio. Para arrancar a ferramenta, pressione o botão de desbloqueio e puxe o gatilho. Liberte o gatilho para parar.

AVISO: NUNCA tente anular o botão de desbloqueio dando-lhe pancadas para baixo nem por qualquer outro meio. Um interruptor com um botão de desbloqueio anulado pode resultar em operação não intencional e em ferimentos pessoais graves.

AVISO: NUNCA utilize a ferramenta se ela funcionar premindo apenas o gatilho, sem ter de carregar no botão de desbloqueio. Um interruptor que necessita de reparação pode resultar em operação não intencional e em ferimentos pessoais graves. Envie a ferramenta para um centro de assistência da Makita para receber uma reparação adequada ANTES de voltar a utilizá-la.

OBSERVAÇÃO: Não carregue a fundo o gatilho sem pressionar o botão de segurança. Esta ação pode estragar o interruptor.

Indicador do estado de carga

O indicador do estado de carga mostra o nível da carga no motor durante a operação de corte. O número de lâmpadas acesas aumenta à medida que a carga no motor aumenta.

► **Fig.7:** 1. Indicador do estado de carga

Alerta de sobrecarga

Se o motor for operado com carga excessiva, todas as lâmpadas do indicador do estado de carga ficam intermitentes. Neste caso, reduza a carga no motor. Se continuar a carregar o motor enquanto o indicador do estado de carga estiver intermitente, a ferramenta para automaticamente no intervalo de poucos segundos devido a proteção contra sobrecarga.

NOTA: Caso seja gerada imediatamente uma carga excessiva, a ferramenta para automaticamente sem que ocorra a intermitência do indicador do estado de carga.

Intervalo entre o torno e a placa guia

⚠PRECAUÇÃO: Depois de ajustar o intervalo entre o torno e a placa guia, certifique-se de que a placa guia está bem presa. Se não ficar bem presa, pode resultar em ferimentos pessoais.

É possível regular os seguintes intervalos do torno:

- 0 - 170 mm (regulação original)
- 35 - 205 mm
- 70 - 240 mm

Se o seu trabalho necessitar de uma regulação diferente, faça o seguinte para alterar o espaço ou o intervalo.

Solte o parafuso na placa guia. Mova a placa guia para a posição pretendida, depois, aperte o parafuso.

► **Fig.8:** 1. Parafuso 2. Placa guia

Ajuste do ângulo de corte

⚠PRECAUÇÃO: Depois de ajustar o ângulo da placa guia, certifique-se de que a placa guia está bem presa. Se não ficar bem presa, pode resultar em ferimentos pessoais.

⚠PRECAUÇÃO: Não opere a ferramenta quando o material não está firmemente seguro com o torno de bancada devido ao ângulo de corte.

Gire a alavanca para a esquerda. Mova a placa guia para o ângulo pretendido e aperte a alavanca até ao fim.

► **Fig.9:** 1. Placa guia 2. Alavanca

NOTA: A escala na placa guia é apenas uma indicação aproximada. Para obter um ângulo mais preciso, use um transferidor ou um esquadro. Mantenha a pega abaixada de forma que o disco de corte se estenda até a base. Ao mesmo tempo, regule o ângulo entre a placa guia e o disco de corte com um transferidor ou esquadro.

Ajuste do resguardo para faíscas

Específico para o país

O resguardo para faíscas foi instalado na fábrica com a extremidade inferior tocando a base. Operar a ferramenta nesta posição provocará muitas faíscas aerotransportadas. Desaperte o parafuso e ajuste o resguardo para faíscas numa posição onde ocorra o mínimo de faíscas aerotransportadas.

► **Fig.10:** 1. Parafuso 2. Resguardo para faíscas

Função eletrônica

As ferramentas equipadas com função eletrônica são fáceis de usar devido à(s) seguinte(s) característica(s).

Característica de arranque suave

Arranque suave devido a choque de arranque suprimido.

MONTAGEM

⚠AVISO: Certifique-se sempre de que a ferramenta está desligada e a bateria retirada antes de trabalhar na ferramenta. Se não desligar a ferramenta e retirar a bateria, pode resultar em ferimentos pessoais graves.

Abriu o resguardo de segurança de tipo tampa central

Específico para o país

Para as ferramentas equipadas com um resguardo de segurança do tipo tampa central, solte primeiro o parafuso de fixação, depois, levante o resguardo.

► **Fig.11:** 1. Parafuso de fixação

Abriu o resguardo de segurança de tipo europeu

Específico para o país

Para as ferramentas equipadas com um resguardo de segurança do tipo europeu, solte primeiro o parafuso de fixação, depois, abra o resguardo como indicado.

► **Fig.12:** 1. Parafuso de fixação

► **Fig.13**

► **Fig.14**

Remover ou instalar o disco de corte

⚠PRECAUÇÃO: Certifique-se de que aperta firmemente a braçadeira de aperto sem ferramenta. Se não ficar bem presa, pode resultar em ferimentos graves.

⚠PRECAUÇÃO: Utilize sempre as flanges interior e exterior adequadas que foram fornecidas com a ferramenta.

⚠PRECAUÇÃO: Baixe sempre o resguardo de segurança depois de voltar a colocar o disco de corte.

⚠PRECAUÇÃO: Use luvas quando manusear os discos.

Levantar o resguardo de segurança. Rode a braçadeira de aperto sem ferramenta para a esquerda enquanto mantém o bloqueio do eixo para baixo. Em seguida, retire a braçadeira de aperto sem ferramenta, a flange exterior e o disco de corte. Quando remover o disco de corte, não retire a flange interior, o anel nem o anel em O.

► **Fig.15:** 1. Bloqueio do eixo 2. Braçadeira de aperto sem ferramenta

► **Fig.16:** 1. Flange interior 2. Anel 3. Anel em O 4. Disco de corte 5. Flange exterior 6. Braçadeira de aperto sem ferramenta

Para instalar o disco de corte, siga os procedimentos de remoção pela ordem inversa. Certifique-se de que ajusta o orifício do disco de corte no anel e volte a colocar o resguardo de segurança.

OPERAÇÃO

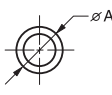
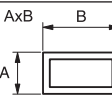
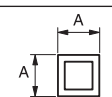
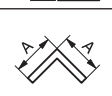
⚠PRECAUÇÃO: A pressão adequada na pega durante o corte e a máxima eficiência de corte podem ser determinadas pela quantidade de faixas produzidas durante o corte. Não force para cortar, exercendo pressão excessiva na pega. Poderá resultar em eficácia reduzida de corte, desgaste prematuro do disco, assim como possíveis danos na ferramenta, disco de corte ou peça de trabalho.

Segure a pega firmemente. Ligue a ferramenta e espere até que o disco de corte atinja a velocidade máxima antes de o baixar devagar para cortar. Quando o disco de corte tocar na peça de trabalho, pressione gradualmente a pega para executar o corte. Quando terminar de cortar, desligue a ferramenta e **espere até o disco de corte estar completamente parado** antes de voltar a colocar a pega para a posição de totalmente elevada.

Capacidade de corte

A capacidade máxima de corte varia de acordo com o ângulo de corte e com a forma da peça de trabalho.

Capacidade máxima de corte com um disco de corte totalmente novo

Ângulo de corte/ Forma da peça de trabalho	90°	45°
	ø127 mm	ø127 mm
	115 x 130 mm 102 x 194 mm 70 x 233 mm	115 x 103 mm
	119 x 119 mm	106 x 106 mm
	137 x 137 mm	100 x 100 mm

NOTA: Uma peça de trabalho mais fina do que 1,6 mm é recomendada para corte com esta ferramenta.

Prender a peça de trabalho

⚠PRECAUÇÃO: Coloque sempre o suporte roscado nas roscas do eixo quando prender a peça de trabalho. Caso contrário, a peça de trabalho pode não ficar bem presa. Isso pode fazer com que a peça de trabalho seja ejetada ou provoca a quebra perigosa do disco de corte.

Enquanto o suporte roscado é levantado, a placa do torno pode ser movida para dentro e para fora rapidamente. Para prender a peça de trabalho, empurre a pega até a placa do torno entrar em contacto com a peça de trabalho, depois, voltar a colocar o suporte roscado. Rode a pega para a direita até a peça de trabalho ficar retida em segurança.

► **Fig.17:** 1. Pega 2. Suporte roscado 3. Placa do torno

Depois de o disco de corte estar muito gasto, coloque um bloco espaçador por trás da peça de trabalho como indicado na ilustração. Pode utilizar o disco gasto mais eficientemente utilizando o ponto médio na periferia do disco para cortar a peça de trabalho. Utilize um material robusto e não inflamável como bloco espaçador.

► **Fig.18:** 1. Bloco espaçador

Quando cortar peças de trabalho com mais de 85 mm de largura em ângulo, prenda um pedaço de madeira direita (espaçador) com mais de 190 mm de comprimento x 40 mm de largura à placa guia como apresentado na ilustração. Prenda este espaçador com parafusos através dos orifícios na placa guia. Certifique-se de que o disco de corte não está em contacto com o espaçador quando a cabeça da ferramenta é empurrada para baixo.

► **Fig.19:** 1. Placa guia 2. Bloco espaçador (mais de 190 mm de comprimento x40 mm de largura) 3. Peça de trabalho (mais de 85 mm de largura) 4. Placa do torno

⚠OBSERVAÇÃO: Quando utilizar um bloco espaçador, instale a placa guia na posição mais próxima ao pescoço da cabeça da ferramenta.

► **Fig.20**

Quando o disco de corte estiver muito gasto, suba a posição de corte colocando um bloco espaçador ligeiramente mais estreito do que a peça de trabalho, como indicado na ilustração. Isto ajuda-o a utilizar o disco de corte de forma económica.

► **Fig.21:** 1. Placa do torno 2. Diâmetro da peça de trabalho 3. Placa guia 4. Largura do bloco espaçador

As peças de trabalho compridas devem ser apoiadas por blocos de ambos os lados para que fique nivelado com o topo da base. Utilize um material não inflamável como blocos de suporte.

► **Fig.22:** 1. Bloco de suporte

Transporte da ferramenta

Antes de transportá-la, remova as baterias e dobre a cabeça da ferramenta para baixo e bloqueie-a. Segure na pega quando transportar.

► Fig.23

MANUTENÇÃO

⚠PRECAUÇÃO: Certifique-se sempre de que a ferramenta se encontra desligada e de que a bateria foi retirada antes de executar qualquer inspeção ou manutenção.

OBSERVAÇÃO: Nunca utilize gasolina, benzina, diluente, álcool ou produtos semelhantes. Pode ocorrer a descoloração, deformação ou rachaduras.

Para manter a SEGURANÇA e a FIABILIDADE do produto, as reparações e qualquer outra manutenção ou ajuste devem ser levados a cabo pelos centros de assistência Makita autorizados ou pelos centros de assistência de fábrica, utilizando sempre peças de substituição Makita.

ACESSÓRIOS OPCIONAIS

⚠PRECAUÇÃO: Estes acessórios ou peças são recomendados para utilização com a ferramenta Makita especificada neste manual. A utilização de outros acessórios ou peças pode ser perigosa para as pessoas. Utilize apenas acessórios ou peças para os fins indicados.

Se necessitar de informações adicionais relativas a estes acessórios, solicite-as ao seu centro de assistência Makita.

- Discos de corte abrasivos
- Bateria e carregador genuínos da Makita

NOTA: Alguns itens da lista podem estar incluídos na embalagem da ferramenta como acessórios padrão. Eles podem variar de país para país.

SPECIFIKATIONER

Model:		DLW140
Skivediameter		355 mm
Huldiameter		25,4 mm
Maks. skivetykkelse		3 mm
Hastighed uden belastning		3.800 min ⁻¹
Mærkespænding		DC 36 V
Mål (L x B x H)	Med beskyttelsesskærm af europæisk type	537 mm x 290 mm x 640 mm
	Med beskyttelsesskærm af ikke-europæisk type	537 mm x 280 mm x 640 mm
	Med beskyttelsesskærm af midterhættetyper	537 mm x 280 mm x 640 mm
Nettovægt	Med beskyttelsesskærm af europæisk type	17,2 - 17,8 kg
	Med beskyttelsesskærm af ikke-europæisk type	15,6 - 16,3 kg
	Med beskyttelsesskærm af midterhættetyper	15,4 - 16,0 kg

- På grund af vores kontinuerlige forsknings- og udviklingsprogrammer kan hosstående specifikationer blive ændret uden varsel.
- Specifikationer kan variere fra land til land.
- Vægten kan være anderledes afhængigt af tilbehøret, inklusive akkuen. Den letteste og tungeste kombination i henhold til EPTA-procedure 01/2014 er vist i tabellen.
- Udformningen og vægten varierer afhængigt af specifikationerne, der er forskellige fra land til land.

Anvendelig akku og oplader

Akku	BL1815N / BL1820 / BL1820B / BL1830 / BL1830B / BL1840 / BL1840B / BL1850 / BL1850B / BL1860B
Oplader	DC18RC / DC18RD / DC18RE / DC18SD / DC18SE / DC18SF

- Nogle af de akkuer og opladere, der er angivet ovenfor, er muligvis ikke tilgængelige, afhængigt af hvilket område du bor i.

⚠ ADVARSEL: Brug kun de akkuer og opladere, der er angivet ovenfor. Brug af andre akkuer og opladere kan medføre personskade og/eller brand.

Tilsigtet anvendelse

Denne maskine er beregnet til skæring i jernemner med anvendelse af en passende slibende afskærings-skive. Følg alle love og bekendtgørelser for støv og arbejdsområde i Deres land med hensyn til helbred og sikkerhed.

Lyd

Det typiske A-vægtede støjniveau bestemt i overensstemmelse med EN62841-3-10:
 Lydtryksniveau (L_{pA}): 103 dB (A)
 Lydeffektniveau (L_{WA}): 115 dB (A)
 Usikkerhed (K): 3 dB (A)

⚠ ADVARSEL: Bær høreværn.

Vibration

Vibrationens totalværdi (tre-aksial vektorsum) bestemt i overensstemmelse med EN62841-3-10:
 Vibrationsemission (a_{h1}): 2,5 m/s²
 Usikkerhed (K): 1,5 m/s²

BEMÆRK: Den angivne vibrationsemissionsværdier blevet målt i overensstemmelse med standardtestmetoden og kan anvendes til at sammenligne et værktøj med et andet.

BEMÆRK: Den angivne vibrationsemissionsværdien kan også anvendes i en præliminær eksponeringsvurdering.

⚠ ADVARSEL: Vibrationsemissionen under den faktiske anvendelse af værktøjet kan være forskellig fra den erklærede emissionsværdi, afhængigt af den måde, hvorpå værktøjet anvendes.

⚠ ADVARSEL: Sørg for at identificere de sikkerhedsforskrifter til beskyttelse af operatøren, som er baseret på en vurdering af eksponering under de faktiske brugsforhold (med hensyntagen til alle dele i brugs-cyklussen, f.eks. de gange, hvor værktøjet er slukket, og når det kører i tomgang i tilgift til afbrydertiden).

EU-overensstemmelseserklæring

Kun for lande i Europa

EU-overensstemmelseserklæringen er inkluderet som Bilag A i denne brugsanvisning.

SIKKERHEDSADVARSLER

Almindelige sikkerhedsregler for el-værktøj

⚠ ADVARSEL: Læs alle de sikkerhedsadvarsler, instruktioner, illustrationer og specifikationer, der følger med denne maskine. Forsømmelse af at overholde alle nedenstående instruktioner kan medføre elektrisk stød, brand og/eller alvorlig personskade.

Gem alle advarsler og instruktioner til fremtidig reference.

Ordet "el-værktøj" i advarslerne henviser til det netforsyede (netledning) el-værktøj eller batteriforsyede (akku) el-værktøj.

Sikkerhedsadvarsler for afkorter

1. **Placer dig selv og omkringstående væk fra den roterende skives drejningsplan.** Beskyttelsesskærmen hjælper med at beskytte operatøren mod dele af brækkede skiver og kontakt med skiven ved et uheld.
2. **Brug kun limede, forstærkede afskæringsskiver til maskinen.** Selv om et stykke tilbehør kan monteres på din maskine, garanterer det ikke sikker anvendelse.
3. **Tilbehørets nominelle hastighed skal mindst være lig med den maksimale hastighed, der er angivet på maskinen.** Tilbehør, der kører hurtigere end dets nominelle hastighed, kan gå i stykker og blive slynget bort.
4. **Skiver må kun benyttes til de anbefalede anvendelsesformål.** For eksempel: Undlad at bruge siden af en afskæringsskive til slibning. Slibende afskæringsskiver er beregnet til slibning i periferien. Hvis skiverne udsættes for kræfter fra siden, kan de gå i stykker.
5. **Anvend altid ubeskadigede skiveflanger med den korrekte diameter til den valgte skive.** Korrekte skiveflanger understøtter skiven og mindsker derved risikoen for, at den går i stykker.
6. **Den udvendige diameter og tykkelse af tilbehøret skal overholde maskinens nominelle kapacitet.** Tilbehør med forkert størrelse kan ikke beskyttes eller kontrolleres tilstrækkeligt.

7. **Skivernes og flangernes dornstørrelse skal passe nøjagtigt til maskinens spindel.** Skiver og flanger med dornhuller, som ikke passer til maskinens monteringsdele, vil køre ubalanceret, vibrere kraftigt og kan medføre, at du mister herredømmet over maskinen.
8. **Undlad at bruge beskadigede skiver. Kontroller skiverne for flanger og revner før hver gang, de benyttes.** Hvis du tager maskinen eller skiven, skal du se efter beskadigelser eller montere en skive, der ikke er beskadiget. Efter kontrol og montering af skiven skal du placere dig selv og tilskuere væk fra den roterende skives drejningsplan og lade maskinen køre ved maksimal hastighed uden belastning i et minut. Beskadigede skiver vil normalt gå i stykker i løbet af denne testperiode.
9. **Bær personligt beskyttelsesudstyr. Afhængigt af anvendelsesformålet skal du bære ansigtsskjold, beskyttelsesbriller eller sikkerhedsbriller. Bær om nødvendigt støvmaske, høreværn, handsker og arbejdsforklæde, der kan stoppe små slibningsstykker eller stumper af arbejdsemnet.** Øjenbeskyttelsen skal kunne stoppe flyvende stumper, der frembringes ved forskellige betjening. Støvmasken eller åndedrætsbeskyttelsen skal kunne filtrere partikler, der frembringes ved anvendelsen. Længere tids udsættelse for højintensiv støj kan medføre tab af hørelsen.
10. **Hold tilskuere på sikker afstand af arbejdsområdet. Alle, der kommer ind i arbejdsområdet, skal bære personligt beskyttelsesudstyr.** Stumper af arbejdsemnet eller fra en brækket skive kan blive slynget ud og forårsage personskade uden for det umiddelbare arbejdsområde.
11. **Rengør jævnligt maskinens ventilationsåbninger.** Motorventilatoren kan trække støv ind i kabinettet, og for høj koncentration af forstøvet metal kan medføre elektriske risici.
12. **Brug ikke maskinen i nærheden af brændbare materialer. Lad ikke maskinen køre, mens den står på en brændbar overflade som f.eks. træ.** Gnister kan antænde sådanne materialer.
13. **Undlad at benytte tilbehør, der kræver flydende kølemidler.** Brug af vand eller andre flydende kølemidler kan medføre dødbringende elektrisk stød eller stød.

Tilbageslag og relaterede advarsler

Tilbageslag er en pludselig reaktion på, at en roterende skive sidder fast eller kommer i klemme. Hvis den roterende skive sidder fast eller kommer i klemme, går den pludselig i stå, hvorved den ikke-kontrollerede skæreenhed tvinges opad i retning mod operatøren. Hvis en slibeskive f.eks. kommer i klemme eller sidder fast på arbejdsemnet, kan den kant på skiven, der går ind i fastklemningspunktet, grave sig ind i materialets overflade, så skiven klatter ud eller slås ud. Slibeskiver kan også gå i stykker under disse forhold. Tilbageslag skyldes forkert brug af maskinen og/eller forkerte betjeningsprocedurer eller forhold og kan undgås ved at træffe de rigtige forholdsregler som beskrevet nedenfor.

1. **Hold godt fast i maskinen, og placer kroppen og armen, så du kan modstå tilbageslagskræfterne.** Operatøren kan kontrollere tilbageslagskræfter i opadgående retning, hvis der træffes de rette forholdsregler.
2. **Undlad at placere din krop på linje med den roterende skive.** Hvis der opstår tilbageslag, vil det slynge skæreenheden opad mod operatøren.

3. **Montér ikke en savkæde, en træskæreklinge, en segmenteret diamanthøvskive med et større mellemrum i periferien end 10 mm eller en savklinge med tænder.** Sådanne klinger forårsager ofte tilbageslag og tab af kontrollen.
4. **Undlad at "låse" skiven eller anvende for hårdt tryk.** Forsøg ikke at skære for dybt. Hvis skiven overbelastes, forøges belastningen og risikoen for at bøje skiven, eller at den sidder fast i snittet, hvilket medfører risiko for tilbageslag, eller at skiven går i stykker.
5. **Hvis skiven sidder fast, eller hvis du af en eller anden grund afbryder et snit, skal du slukke for maskinen og holde skæreenheden stille, indtil skiven er stoppet helt.** Forsøg aldrig at fjerne skiven fra snittet, mens skiven bevæger sig, da der ellers kan opstå tilbageslag. Undersøg og træf modforholdsregler for at eliminere årsager til, at skiven binder.
6. **Start ikke snittet igen i arbejdsemnet.** Lad skiven nå fuld hastighed, og sæt den forsigtigt tilbage i snittet. Skiven kan binde, springe op eller slå tilbage, hvis maskinen genstartes i arbejdsemnet.
7. **Støt alle arbejdsemner i overstørelse for at minimere risikoen for, at skiven binder og forårsager tilbageslag.** Store arbejdsemner har tendens til at bøjes under deres egen vægt. Der skal placeres støtter under arbejdsemnet i nærheden af skæringslinjen og nær arbejdsemnets kanter på begge sider af skiven.

Yderligere sikkerhedsadvarsler

1. **Pas på flyvende gnister under betjeningen.** De kan medføre personskade og antænde brændbare materialer.
2. **Fastgør arbejdsemnet.** Brug skruetvinger eller en skruestik til at fastholde arbejdsemnet, når det er muligt. Det er sikrere end at bruge hånden, og det holder begge hænder fri til at betjene maskinen.
3. **Spænd afskæringsskiven godt fast.**
4. **Pas på ikke at beskadige spindlen, flangerne (især monteringsoverfladen) eller bolten.** Hvis det sker, kan selve afskæringsskiven sprænges.
5. **Hold skærmene på plads og i god stand.**
6. **Hold godt fast i håndtaget.**
7. **Lad ikke hænderne komme i nærheden af roterende dele.**
8. **Sørg for, at afskæringsskiven ikke berører arbejdsemnet, når maskinen startes.**
9. **Kontroller før hver brug for rystelser eller kraftige vibrationer der kan tyde på forkert montering eller en dårlig afbalanceret skive.**
10. **Fjern materiale og affald, der kan antændes af gnister, fra området.** Forvis Dem om, at der ikke er nogle personer der, hvor gnisterne falder. Hav altid en god, driftsklar ildslukker i nærheden.
11. **Hvis afskæringsskiven stopper under brug, lyder underligt eller begynder at vibrere, skal der omgående slukkes for maskinen.**
12. **Sluk altid for maskinen, og vent til afskæringsskiven er helt stoppet, før arbejdsemnet fjernes eller fastgøres, skruestikken betjenes, eller arbejdspositionen, vinklen eller selve afskæringsskiven skiftes.**
13. **Rør ikke ved arbejdsemnet lige efter anvendelse.** Det er ekstremt varmt og kan give forbrændinger.
14. **Opbevar kun skiver på et tørt sted.**

GEM DISSE FORSKRIFTER.

Vigtige sikkerhedsinstruktioner for akkuen

1. **Læs alle instruktioner og advarselmærkater på (1) akku-opladeren, (2) akkuen og (3) produktet, som anvender akku.**
2. **Lad være med at skille akkuen ad.**
3. **Hold straks op med anvendelsen, hvis brugstiden er blevet stærkt afkortet.** Fortsat anvendelse kan resultere i risiko for overophedning, forbrændinger og endog eksplosion.
4. **Hvis De har fået elektrolytvæske i øjnene, skal De straks skylle den ud med rent vand og derefter øjeblikkeligt søge lægehjælp.** I modsat fald kan De miste synet.
5. **Vær påpasselig med ikke at komme til at kortslutte akkuen:**
 - (1) **Rør ikke ved terminalerne med noget ledende materiale.**
 - (2) **Undgå at opbevare akkuen i en beholder sammen med andre genstande af metal, for eksempel søm, mønter og lignende.**
 - (3) **Udsæt ikke akkuen for vand eller regn.** Kortslutning af akkuen kan forårsage en kraftig øgning af strømmen, overophedning, mulige forbrændinger og endog værktøjstop.
6. **Opbevar ikke værktøjet og akkuen på et sted, hvor temperaturen kan nå eller overstige 50 °C.**
7. **Lad være med at brænde akkuen, selv ikke i tilfælde, hvor den har lidt alvorlig skade eller er fuldstændig udtjent.** Akkuen kan eksplodere, hvis man forsøger at brænde den.
8. **Lad være med at brænde akkuen eller udsætte den for stød.**
9. **Anvend ikke en beskadiget akku.**
10. **De indbyggede litium-ion-batterier er underlagt lovkrav vedrørende farligt gods.** Ved kommerciel transport, f.eks. af tredjeparts transportselskaber, skal særlige krav til forpakning og mærkning overholdes. Ved forberedelse af udstyret til forsendelse skal du kontakte en ekspert i farligt gods. Overhold også eventuel mere detaljeret national lovgivning. Tape eller tildæk åbne kontakter, og pak batteriet på en måde, så det ikke kan flytte sig rundt i pakningen.
11. **Følg de lokale love vedrørende bortskaffelsen af batterier.**
12. **Brug kun batterierne med de produkter, som Makita specificerer.** Hvis batterierne installeres i ikke-kompatible produkter, kan det medføre brand, kraftig varme, eksplosion eller udsivning af elektrolyt.

GEM DENNE BRUGSANVISNING.

⚠FORSIGTIG: Brug kun originale batterier fra Makita. Brug af uoriginale Makita-batterier, eller batterier som er blevet ændret, kan muligvis medføre brud på batteriet, hvilket kan forårsage brand, personskade eller beskadigelse. Det ugyldiggør også Makita-garantien for Makita-maskinen og opladeren.

Tips til opnåelse af maksimal akku-levetid

1. Oplad akkuen, inden den er helt afladet. Stop altid værktøjet, og oplad akkuen, hvis De bemærker, at værktøjeffekten er aftagende.
2. Genoplad aldrig en fuldt opladet akku. Overoplading vil afkorte akkuens levetid.
3. Oplad akkuen ved stuetemperatur ved 10 °C - 40 °C. Lad altid en varm akku få tid til at køle af, inden den oplades.
4. Oplad akkuen, hvis De ikke skal bruge den i længere tid (mere end seks måneder).

INSTALLATION

⚠ ADVARSEL: Denne maskine frembringer gnister, når den skærer et arbejdsemne. Installer ikke denne maskine på et sted hvor brændbare og/eller eksplosive materialer muligvis kan blive antændt af gnisterne fra maskinen. Sørg desuden for at der ikke er sådant materiale i nærheden af maskinen, inden start af anvendelsen.

Fastgørelse af basen

Denne maskine skal boltes fast med to bolte til en plan og stabil flade med brug af de bolthuller, der findes i maskinens base. Dette vil bidrage til at forhindre, at maskinen vælter og forårsager personskade.

► Fig.1: 1. Bolthuller 2. Base

FUNKTIONSBESKRIVELSE

⚠ ADVARSEL: Vær altid sikker på, at der er slukket for værktøjet, og at akkuen er fjernet, inden De justerer eller kontrollerer værktøjets funktioner. Hvis De ikke slukker for værktøjet og fjerner akkuen, kan det medføre alvorlig personskade forårsaget af utilsigtet start af værktøjet.

Oplåsning/låsning af maskinhovedet

Maskinhovedet kan låses. Lås altid maskinhovedet, når maskinen ikke anvendes eller ved transport.

Lås op ved at trykke maskinhovedet en smule ned, og skubbe til låsestiften. Lås ved at sætte låsestiften tilbage på plads, mens maskinhovedet holdes nede.

► Fig.2: 1. Låsestift

Isætning eller fjernelse af akkuen

⚠ FORSIGTIG: Sluk altid for værktøjet, før De monterer eller fjerner akkuen.

⚠ FORSIGTIG: Hold værktøjet og akkuen fast ved montering eller fjernelse af akkuen. Hvis De ikke holder værktøjet og akkuen fast, kan de glide ud af hænderne på Dem og forårsage beskadigelse af værktøjet og akkuen eller personskade.

► Fig.3: 1. Rød indikator 2. Knap 3. Akku

Akkuen fjernes ved, at De trækker den ud af værktøjet, idet De skyder knappen på forsiden af akkuen i stilling.

Akkuen monteres ved, at De sætter tungen på akkuen ud for noten i kabinettet og lader den glide på plads. Sæt den hele vejen ind, så den låses på plads med et lille klik. Hvis den røde indikator på oversiden af knappen er synlig, betyder det, at den ikke er tilstrækkeligt låst.

⚠ FORSIGTIG: Monter altid akkuen helt, indtil den røde indikator ikke længere er synlig. Hvis dette ikke gøres, kan den falde ud af værktøjet ved et uheld, hvorved De selv eller personer i nærheden kan komme til skade.

⚠ FORSIGTIG: Brug ikke magt ved montering af akkuen. Hvis akkuen ikke glider på plads uden problemer, betyder det, at den ikke sættes i på korrekt vis.

BEMÆRK: Værktøjet fungerer ikke med kun én akku.

Beskyttelsessystem til værktøj/batteri

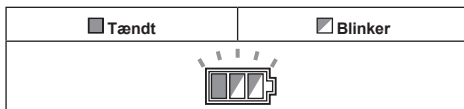
Værktøjet er forsynet med et beskyttelsessystem til værktøj/batteri. Dette system afbryder automatisk strømmen til motoren for at forlænge levetiden for værktøjet og batteriet. Værktøjet stopper automatisk under driften, hvis det eller batteriet kommer i en af følgende situationer. I nogle tilfælde lyser indikatorerne.

Overbelastningsbeskyttelse

Hvis maskinen bruges på en måde, der får den til at trække en unormalt høj strøm, stopper maskinen automatisk. I denne situation skal du slukke for maskinen og stoppe den anvendelse, som bevirkede, at maskinen blev overbelastet. Tænd derefter for maskinen for at starte igen.

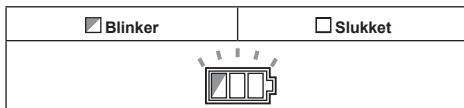
Beskyttelse mod overophedning

Hvis maskinen er overophedet, stopper maskinen automatisk, og akku-indikatoren blinker i cirka 60 sekunder. Lad i så fald maskinen køle ned, før der tændes for maskinen igen.



Beskyttelse mod afladning






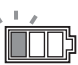
Hvis batteriladningen bliver for lav, stopper maskinen automatisk, og batteriindikatoren på den afladede akku blinker. Hvis produktet ikke fungerer, selvom kontakterne betjenes, skal du tage den afladede akku ud af maskinen og oplade den.



Indikation af den resterende batteriladning

► Fig.4: 1. Batteriindikator 2. Kontrolknop

Tryk på kontrolknappen for at få vist de resterende batteriladning. Batteriindikatorerne svarer til hvert enkelt batteri.






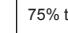





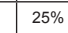


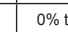


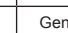



Status på batteriindikator			Resterende batteriladning
Tændt	Slukket	Blinker	
			50% til 100%
			20% til 50%
			0% til 20%
			Genoplad batteriet

Indikation af den resterende batteriladning

Kun til akuer med indikatoren

► Fig.5: 1. Indikatorlamper 2. Kontrolknop

Tryk på kontrolknappen på akuen for at få vist den resterende batteriladning. Indikatorlampen lyser i nogle sekunder.

Indikatorlamper			Resterende ladning
Tændt	Slukket	Blinker	
			75% til 100%
			50% til 75%
			25% til 50%
			0% til 25%
			Genoplad batteriet.
			Der er muligvis fejl i batteriet.
			

BEMÆRK: Afhængigt af brugsforholdene og den omgivende temperatur kan indikationen afvige en smule fra den faktiske ladning.

Afbrøderbetjening

⚠ ADVARSEL: Inden akuen sættes i maskinen, bør De altid kontrollere, at afbrøderknappen fungerer korrekt, og returnerer til "OFF"-positionen, når den slippes.

► Fig.6: 1. Lås fra-knap 2. Afbrøderknap

For at forhindre utilsigtet tryk på afbrøderknappen er værktøjet udstyret med en lås fra-knap. For at starte værktøjet skal De trykke lås fra-knappen ind og trække afbrøderknappen. Slip afbrøderknappen for at stoppe.

⚠ ADVARSEL: Omgå ALDRIG lås fra-knappens funktion ved at tape den fast eller på andre måder. En afbrøder med en blokeret lås fra-knap kan medføre utilsigtet funktion og alvorlig personskade.

⚠ ADVARSEL: Brug ALDRIG maskinen, hvis den kører, når du blot trykker på afbrøderknappen uden at trykke på lås fra-knappen. En afbrøder, der skal repareres, kan medføre utilsigtet funktion og alvorlig personskade. Returner maskinen til et Makita-servicecenter for nødvendige reparationer INDEN yderligere brug.

BEMÆRKNING: Tryk ikke hårdt på afbrøderkontakten uden først at trykke aflåseknapen ind. Dette kan ødelægge afbrøderkontakten.

Statusindikator for belastning

Statusindikatoren for belastning viser belastningsniveauet på motoren under skæring. Tallet på den lysende lampe forøges, efterhånden som belastningen af motoren øges.

► Fig.7: 1. Statusindikator for belastning

Advarsel om overbelastning

Hvis motoren anvendes ved for stor belastning, blinker alle lamper på statusindikatoren for belastning. Reducer i så fald belastningen på motoren. Hvis du fortsætter med at belaste motoren, mens statusindikatoren for belastning blinker, stopper maskinen automatisk i løbet af nogle få sekunder pga. beskyttelse mod overbelastning.

BEMÆRK: Hvis der pludseligt genereres en for høj belastning, stopper maskinen automatisk, uden at statusindikatoren for belastning blinker.

Mellemrum mellem skruestik og ledeplade

⚠ FORSIGTIG: Efter justering af mellemrummet mellem skruestikken og ledepladen, skal det sikres, at ledepladen er ordentligt fastgjort. Utilstrækkelig fastgørelse kan muligvis resultere i personskade.

De følgende indstillinger af mellemrummet for skruestikken er til rådighed:

- 0 - 170 mm (oprindelig indstilling)
- 35 - 205 mm
- 70 - 240 mm

Hvis arbejdet kræver en anden indstilling, skal du gå frem som følger for at ændre afstanden eller mellemrummet.

Løsn skruen på ledepladen. Flyt ledepladen hen på den ønskede position og stram derefter skruen.

► Fig.8: 1. Skruer 2. Ledepåde

Justering af snitvinkel

⚠️FORSIGTIG: Efter justering af vinklen på ledepladen skal det sikres, at ledepladen er ordentligt fastgjort. Utilstrækkelig fastgørelse kan muligvis resultere i personskade.

⚠️FORSIGTIG: Undlad at betjene maskinen, når materialet ikke er sikkert fastgjort med skruestik-ken på grund af snitvinklen.

Drej armen mod urets retning. Flyt ledepladen hen på den ønskede vinkel og stram armen helt til.

► Fig.9: 1. Ledeplade 2. Arm

BEMÆRK: Skalaen på ledepladen er kun en omtrentlig indikering. For at opnå en mere nøjagtig vinkel, skal man anvende en vinkelmåler eller en trekantslineal. Hold håndtaget nede, så afskæringsskiven går ind i basen. Indstil samtidigt vinklen mellem ledepladen og afskæringsskiven med en vinkelmåler eller en trekantslineal.

Justering af gnistskærm

Landespecifik

Gnistskærmen er installeret fra fabrikken, så dens nederste kant berører basen. Anvendelse af maskinen i denne stilling vil bevirke, at der flyver mange gnister omkring. Løsn skruen og indstil gnistskærmen til en stilling, hvor kun få gnister vil flyve omkring.

► Fig.10: 1. Skruer 2. Gnistskærm

Elektronisk funktion

Maskiner, der er udstyret med elektronisk funktion, er nemme at betjene på grund af følgende funktion(er).

Funktion til blød start

Blød start, fordi ryk ved start dæmpes.

SAMLING

⚠️ADVARSEL: Sørg altid for, at værktøjet er slukket, og at akkuen er taget ud, før der arbejdes på værktøjet. Hvis værktøjet ikke afbrydes og tages ud af forbindelse, kan det medføre alvorlig personskade.

Åbning af beskyttelsesskærm af midterhættetyper

Landespecifik

På maskiner udstyret med en beskyttelsesskærm af midterhættetyper skal fastgørelsesskruen først løsnes, hvorefter skærmen kan hæves.

► Fig.11: 1. Fastgørelsesskrue

Åbning af beskyttelsesskærm af europæisk type

Landespecifik

På maskiner udstyret med en beskyttelsesskærm af europæisk type skal fastgørelsesskruen først løsnes, hvorefter skærmen kan åbnes som vist.

► Fig.12: 1. Fastgørelsesskrue

► Fig.13

► Fig.14

Afmontering og montering af afskæringsskiver

⚠️FORSIGTIG: Sørg for at stramme den værktøjsfri klemme godt til. Utilstrækkelig stramning kan muligvis resultere i alvorlig tilskadekomst.

⚠️FORSIGTIG: Anvend altid kun de rigtige indre og ydre flanger, der følger med maskinen.

⚠️FORSIGTIG: Sænk altid beskyttelsesskærmen efter udskiftning af afskæringsskiven.

⚠️FORSIGTIG: Bær handsker, når du håndterer skiver.

Hæv beskyttelsesskærmen. Drej den værktøjsfri klemme mod urets retning, mens aksellåsen holdes nede. Afmonter derefter den værktøjsfri klemme, den ydre flange og afskæringsskiven. Når afskæringsskiven afmonteres, skal den indre flange såvel som ringen og O-ringen ikke fjernes.

► Fig.15: 1. Aksellås 2. Værktøjsfri klemme

► Fig.16: 1. Indre flange 2. Ring 3. O-ring
4. Afskæringsskive 5. Ydre flange
6. Værktøjsfri klemme

For at montere afskæringsskiven følges afmonteringsanvisningen i modsat rækkefølge. Sørg for at tilpasse hullet i afskæringsskiven til ringen og sætte beskyttelsesskærmen tilbage på plads.

ANVENDELSE

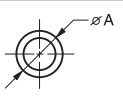
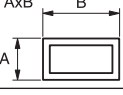
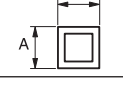

⚠️FORSIGTIG: Det rigtige tryk på håndtaget under arbejdet og den maksimale skæreevne kan fastslås af mængden af gnister, der frembringes under arbejdet. Skæringen må ikke fremskyndes ved at man lægger for meget tryk på håndtaget. Dette kan medføre reduceret skæreeffektivitet, for tidlig nedslidning af skiven, såvel som risiko for beskadigelse af maskinen, afskæringsskiven og arbejdsemnet.

Hold godt fast i håndtaget. Tænd for maskinen, og vent, til afskæringsskiven har nået fuld hastighed, før den forsigtigt sænkes ned i snittet. Når afskæringsskiven berører arbejdsemnet, skal der gradvist lægges mere og mere tryk på håndtaget for at udføre snittet. Når snittet er udført, skal der slukkes for maskinen og **ventes, indtil afskæringsskiven er helt stoppet**, før håndtaget igen sættes i den fuldt oprejste stilling.

Snitkapacitet

Den maksimale snitkapacitet afhænger af snitvinklen og arbejdsemnets form.

Maks. snitkapacitet med en helt ny afskæringsskive

Snitvinkel / Arbejdsemnets form	90°	45°
	ø127 mm	ø127 mm
	115 x 130 mm 102 x 194 mm 70 x 233 mm	115 x 103 mm
	119 x 119 mm	106 x 106 mm
	137 x 137 mm	100 x 100 mm

BEMÆRK: Til skæring med denne maskine anbefales et arbejdsemne, der er tyndere end 1,6 mm.

Fastgørelse af arbejdsemne

⚠FORSIGTIG: Placer altid gevindholderen på akselgevindtet, når arbejdsemnet fastgøres. Hvis dette ikke gøres, kan det medføre, at arbejdsemnet ikke sidder godt nok fast. Derved kan arbejdsemnet blive skubbet ud, eller afskæringsskiven kan brække, hvilket er farligt.

Mens gevindholderen er løftet, kan skruestikpladen flyttes hurtigt ind og ud. For at spænde et arbejdsemne fast skal man skubbe håndtaget frem, indtil skruestikpladen berører arbejdsemnet, og derefter sætte gevindholderen tilbage. Drej håndtaget i urets retning indtil arbejdsemnet fastholdes ordentligt.

► **Fig.17:** 1. Håndtag 2. Gevindholder 3. Skruestikplade

Når afskæringsskiven er ved at være ekstremt nedslidt, skal der placeres en afstandsklods bagved arbejdsemnet, som vist på illustrationen. Den nedslidte skive kan anvendes mere effektivt ved at bruge midterpunktet i skivens yderkant, når arbejdsemnet skal skæres. Brug et robust, ikke-brændbart materiale som afstandsklods.

► **Fig.18:** 1. Afstandsklods

Når der skæres arbejdsemner i en vinkel, som er over 85 mm brede, skal man fastgøre et lige stykke træ (afstandsstykke) på over 190 mm langt x 40 mm bredt på ledepladen som vist på illustrationen. Fastgør denne afstandsstykke med skrue gennem hullerne i ledepladen. Sørg for, at afskæringsskiven ikke berører afstandsstykket, når maskinhovedet trykkes ned.

► **Fig.19:** 1. Ledeplyade 2. Afstandsklods (over 190 mm lang x40 mm bred) 3. Arbejdsemne (over 85 mm bredt) 4. Skruestikplade

BEMÆRKNING: Ved brug af en afstandsklods skal du montere ledepladen på den position, der er nærmest halsen på maskinhovedet.

► **Fig.20**

Når afskæringsskiven er ved at være nedslidt, skal snitpositionen hæves ved at placere en afstandsklods, som er lidt smallere end arbejdsemnet, som vist på illustrationen. Dette vil hjælpe dig med at udnytte afskæringsskiven økonomisk.

► **Fig.21:** 1. Skruestikplade 2. Diameter af arbejdsemne 3. Ledeplyade 4. Bredde på afstandsklods

Lange arbejdsemner skal understøttes af blokke på begge sider, så de bliver plane med basens top. Brug et ikke-brændbart materiale som støtteblokke.

► **Fig.22:** 1. Støtteblok

Transport af maskine

Før transport skal du fjerne batterierne og folde maskinhovedet ned og derefter låse det fast. Hold i håndtaget under transport.

► **Fig.23**

VEDLIGEHOLDELSE

⚠FORSIGTIG: Vær altid sikker på, at værktøjet er slukket, og at akkuen er taget ud, inden De begynder at udføre inspektion eller vedligeholdelse.

BEMÆRKNING: Anvend aldrig benzin, rensebenzin, fortynder, alkohol og lignende. Det kan medføre misfarvning, deformation eller revner.

For at opretholde produktets SIKKERHED og PÅLIDELIGHED må reparation, vedligeholdelse eller justering kun udføres af et autoriseret Makita servicecenter eller fabrikkensservicecenter med anvendelse af Makita reservedele.

EKSTRAUDSTYR

⚠FORSIGTIG: Det følgende tilbehør og ekstraudstyr er anbefalet til brug med Deres Makita maskine, der er beskrevet i denne brugsanvisning. Anvendelse af andet tilbehør eller ekstraudstyr kan udgøre en risiko for personskaade. Anvend kun tilbehør og ekstraudstyr til det beskrevne formål.

Hvis De behøver hjælp ved valg af tilbehør eller ønsker yderligere informationer, bedes De kontakte Deres lokale Makita servicecenter.

- Slibende afskæringsskiver
- Original Makita-akku og oplader

BEMÆRK: Nogle ting på denne liste kan være inkluderet i værktøjsspakken som standardtilbehør. Det kan være forskellige fra land til land.

ΠΡΟΔΙΑΓΡΑΦΕΣ

Μοντέλο:		DLW140
Διάμετρος τροχού		355 mm
Διάμετρος τρύπας		25,4 mm
Μέγιστο πάχος τροχού		3 mm
Ταχύτητα χωρίς φορτίο		3.800 min ⁻¹
Ονομαστική τάση		D.C. 36 V
Διαστάσεις (Μ x Π x Υ)	Με προφυλακτήρα ασφάλειας ευρωπαϊκού τύπου	537 mm x 290 mm x 640 mm
	Με προφυλακτήρα ασφάλειας διαφορετικό από ευρωπαϊκού τύπου	537 mm x 280 mm x 640 mm
	Με προφυλακτήρα ασφάλειας τύπου κεντρικού καπακιού	537 mm x 280 mm x 640 mm
Καθαρό βάρος	Με προφυλακτήρα ασφάλειας ευρωπαϊκού τύπου	17,2 - 17,8 kg
	Με προφυλακτήρα ασφάλειας διαφορετικό από ευρωπαϊκού τύπου	15,6 - 16,3 kg
	Με προφυλακτήρα ασφάλειας τύπου κεντρικού καπακιού	15,4 - 16,0 kg

- Λόγω του συνεχιζόμενου προγράμματος έρευνας και ανάπτυξης, οι προδιαγραφές αυτές υπόκεινται σε αλλαγές χωρίς προειδοποίηση.
- Τα τεχνικά χαρακτηριστικά μπορεί να διαφέρουν από χώρα σε χώρα.
- Το βάρος μπορεί να διαφέρει ανάλογα με τα προσαρτήματα, συμπεριλαμβάνοντας την κασέτα μπαταριών. Ο ελαφρύτερος και ο βαρύτερος συνδυασμός, σύμφωνα με τη διαδικασία ΕΡΤΑ 01/2014, παρουσιάζονται στον πίνακα.
- Το σχήμα και το βάρος διαφέρουν ανάλογα με τα τεχνικά χαρακτηριστικά, τα οποία διαφέρουν ανάλογα με τη χώρα.

Ισχύουσα κασέτα μπαταριών και φορτιστής

Κασέτα μπαταρίας	BL1815N / BL1820 / BL1820B / BL1830 / BL1830B / BL1840 / BL1840B / BL1850 / BL1850B / BL1860B
Φορτιστής	DC18RC / DC18RD / DC18RE / DC18SD / DC18SE / DC18SF

- Ορισμένες από τις κασέτες και τους φορτιστές μπαταριών που αναγράφονται παραπάνω ίσως να μην είναι διαθέσιμοι, ανάλογα με την τοποθεσία κατοικίας σας.

⚠ ΠΡΟΕΙΔΟΠΟΙΗΣΗ: Να χρησιμοποιείτε μόνο τις κασέτες μπαταριών και τους φορτιστές που παρατίθενται ανωτέρω. Η χρήση οποιασδήποτε άλλης κασέτας μπαταριών ή φορτιστή μπορεί να προκαλέσει τραυματισμό ή/και πυρκαγιά.

Προοριζόμενη χρήση

Το εργαλείο προορίζεται για την κοπή σιδηρούχων υλικών με κατάλληλο λειαντικό τροχό αποκοπής. Να τηρείτε όλους τους νόμους και κανονισμούς της χώρας σας σχετικά με σκόνη και υγιεινή και ασφάλεια στους χώρους εργασίας.

Θόρυβος

Το τυπικό Α επίπεδο καταμετρημένου θορύβου καθορίζεται σύμφωνα με το EN62841-3-10:
 Στάθμη ηχητικής πίεσης (L_{PA}): 103 dB (A)
 Στάθμη ηχητικής ισχύος (L_{WA}): 115 dB (A)
 Αβεβαιότητα (K): 3 dB (A)

⚠ ΠΡΟΕΙΔΟΠΟΙΗΣΗ: Να φοράτε ωτοασπίδες.

Κραδασμός

Η ολική τιμή δόνησης (άθροισμα τρι-αξονικού διανύσματος) καθορίζεται σύμφωνα με το EN62841-3-10:

Εκπομπή δόνησης (a_h): 2,5 m/s²
 Αβεβαιότητα (K): 1,5 m/s²

ΠΑΡΑΤΗΡΗΣΗ: Η δηλωμένη τιμή εκπομπής κραδασμών έχει μετρηθεί σύμφωνα με την πρότυπη μέθοδο δοκιμής και μπορεί να χρησιμοποιηθεί για τη σύγκριση ενός εργαλείου με άλλο.

ΠΑΡΑΤΗΡΗΣΗ: Η δηλωμένη τιμή εκπομπής κραδασμών μπορεί να χρησιμοποιηθεί και στην προκαταρκτική αξιολόγηση έκθεσης.

▲ ΠΡΟΕΙΔΟΠΟΙΗΣΗ: Η εκπομπή κραδασμών κατά τη χρήση του ηλεκτρικού εργαλείου σε πραγματικές συνθήκες μπορεί να διαφέρει από τη δηλωμένη τιμή εκπομπής ανάλογα με τον τρόπο χρήσης του εργαλείου.

▲ ΠΡΟΕΙΔΟΠΟΙΗΣΗ: Φροντίστε να λάβετε τα κατάλληλα μέτρα προστασίας του χειριστή βάσει ενός υπολογισμού της έκθεσης σε πραγματικές συνθήκες χρήσης (λαμβάνοντας υπόψη όλες τις συνιστώσες του κύκλου λειτουργίας όπως τους χρόνους που το εργαλείο είναι εκτός λειτουργίας και όταν βρίσκεται σε αδρανή λειτουργία πέραν του χρόνου ενεργοποίησης).

Δήλωση συμμόρφωσης ΕΚ

Μόνο για χώρες της Ευρώπης

Η δήλωση συμμόρφωσης ΕΚ περιλαμβάνεται ως Παράρτημα Α στο παρόν εγχειρίδιο οδηγιών.

ΠΡΟΕΙΔΟΠΟΙΗΣΕΙΣ ΑΣΦΑΛΕΙΑΣ

Γενικές προειδοποιήσεις ασφαλείας για το ηλεκτρικό εργαλείο

▲ ΠΡΟΕΙΔΟΠΟΙΗΣΗ: Διαβάστε όλες τις προειδοποιήσεις ασφαλείας, οδηγίες, εικονογραφίες και προδιαγραφές που παρέχονται με αυτό το ηλεκτρικό εργαλείο. Η μη τήρηση όλων των οδηγιών που αναγράφονται κατωτέρω μπορεί να καταλήξει σε ηλεκτροπληξία, πυρκαγιά ή/και σοβαρό τραυματισμό.

Φυλάξτε όλες τις προειδοποιήσεις και τις οδηγίες για μελλοντική παραπομπή.

Στις προειδοποιήσεις, ο όρος «ηλεκτρικό εργαλείο» αναφέρεται σε ηλεκτρικό εργαλείο που τροφοδοτείται από την κύρια παραγωγή ηλεκτρικού ρεύματος (με ηλεκτρικό καλώδιο) ή σε ηλεκτρικό εργαλείο που τροφοδοτείται από μπαταρία (χωρίς ηλεκτρικό καλώδιο).

Προειδοποιήσεις ασφαλείας μηχανήματος αποκοπής

1. **Εσείς και οι παρευρισκόμενοι να στέκεστε μακριά από το επίπεδο περιστροφής του τροχού.** Το προστατευτικό βοηθάει στην προστασία του χειριστή από σπασμένα κομμάτια τροχού και τυχαία επαφή με τον τροχό.
2. **Να χρησιμοποιείτε μόνο συνδεδεμένους ενισχυμένους τροχούς αποκοπής για το ηλεκτρικό εργαλείο σας.** Η χρήση ενός εξαρτήματος απλά και μόνο επειδή μπορεί να προσαρμοστεί στο ηλεκτρικό εργαλείο δεν διασφαλίζει την ασφαλή λειτουργία του.

3. **Η ονομαστική ταχύτητα του εξαρτήματος πρέπει να είναι τουλάχιστον ίση με τη μέγιστη ταχύτητα που αναγράφεται στο ηλεκτρικό εργαλείο.** Εξαρτήματα τα οποία ηλεκτρίζονται ταχύτερα από την ονομαστική ταχύτητά τους μπορεί να υποστούν θραύση και τα θραύσματα να εκτιναχθούν στον περιβάλλοντα χώρο.
4. **Οι τροχοί πρέπει να χρησιμοποιούνται μόνο στις προβλεπόμενες εφαρμογές. Για παράδειγμα: μη λειάνετε με την πλευρική επιφάνεια του τροχού αποκοπής.** Οι λειαντικοί τροχοί αποκοπής προορίζονται για περιφερειακή λείανση, η εφαρμογή πλευρικών δυνάμεων σε αυτούς τους τροχούς και μπορεί να προκαλέσει τη θραύση τους.
5. **Να χρησιμοποιείτε πάντα φλάντζες τροχών που δεν έχουν υποστεί ζημιά και είναι κατάλληλης διαμέτρου για τον επιλεγμένο τροχό.** Οι κατάλληλες φλάντζες τροχών υποστηρίζουν τους τροχούς και μειώνουν επομένως την πιθανότητα θραύσης τους.
6. **Η εξωτερική διάμετρος και το πάχος του εξαρτήματος πρέπει να είναι εντός της ονομαστικής ικανότητας του ηλεκτρικού εργαλείου.** Σε εξαρτήματα εσφαλμένου μεγέθους δεν είναι επικτική η παροχή επαρκούς προστασίας ή ελέγχου.
7. **Το μέγεθος της σπής προσαρμογής σε άξονα των τροχών και των φλάντζων πρέπει να ταιριάζει απολύτως στον άξονα μετάδοσης κίνησης του ηλεκτρικού εργαλείου.** Τροχοί και φλάντζες με σπές προσαρμογής οι οποίες δεν ταιριάζουν απολύτως στο εξάρτημα στερέωσης του ηλεκτρικού εργαλείου θα παρουσιάσουν υποβαθμισμένη ζυγοστάθμιση και υπερβολικούς κραδασμούς, και μπορεί και απώλεια ελέγχου.
8. **Μην χρησιμοποιείτε τροχούς που έχουν υποστεί ζημιά. Πριν από κάθε χρήση, επιθεωρήστε τους τροχούς για τεμαχίδια που λείπουν και ρωγμές. Σε περίπτωση πτώσης του ηλεκτρικού εργαλείου ή του τροχού, επιθεωρήστε για τυχόν ζημιά ή τοποθετήστε έναν τροχό που δεν έχει υποστεί ζημιά. Μετά από τον έλεγχο και την τοποθέτηση του τροχού, σταθείτε εσείς και οι παρευρισκόμενοι σε κατάλληλη θέση μακριά από το επίπεδο περιστροφής του τροχού και αφήστε το ηλεκτρικό εργαλείο σε λειτουργία στη μέγιστη ταχύτητα περιστροφής χωρίς φορτίο, για ένα λεπτό.** Συνήθως, οι τροχοί που έχουν υποστεί ζημιά διαλύονται, εντός του συγκεκριμένου χρόνου δοκιμής.
9. **Να φοράτε εξοπλισμό ατομικής προστασίας. Ανάλογα με την εφαρμογή, να χρησιμοποιείτε προσωπίδα προστασίας, προστατευτικά γυαλιά-προσωπίδες ή γυαλιά προστασίας. Όταν απαιτείται, να φοράτε μάσκα σκόνης, προστατευτικά ακοής, γάντια και ποδιά συνεργείου ικανά να παρέχουν προστασία από τα εκτινασσόμενα μικρά θραύσματα του λειαντικού μέσου ή του τεμαχίου εργασίας.** Τα προστατευτικά ματιών πρέπει να είναι ικανά να σταματήσουν τυχόν εκτινασσόμενα θραύσματα που δημιουργούνται κατά την εκτέλεση διαφόρων εργασιών. Η μάσκα σκόνης ή η αναπνευστική συσκευή πρέπει να είναι ικανά να φιλτράρουν τα σωματίδια που δημιουργούνται κατά την εκτέλεση των εργασιών σας. Η παρατεταμένη έκθεση σε θόρυβο υψηλής έντασης μπορεί να προκαλέσει απώλεια ακοής.

10. **Κρατάτε τους γύρω σας σε μια ασφαλή απόσταση από τον χώρο εργασίας. Οποιοσδήποτε εισερχόμενος στο χώρο εργασίας πρέπει να φορά ατομικό προστατευτικό εξοπλισμό.** Θραύσματα του τεμαχίου εργασίας ή ενός τροχού που έχει υποστεί θραύση μπορεί να εκτιναχθούν και να προκαλέσουν τραυματισμό πέραν των ορίων του άμεσου χώρου εκτέλεσης εργασιών.
11. **Καθαρίζετε τακτικά τα ανοίγματα ξεαερισμού του ηλεκτρικού εργαλείου.** Ο ανεμιστήρας του μοτέρ μπορεί να αναρροφήσει τη σκόνη μέσα στο περίβλημα και η υπερβολική συγκέντρωση ρινισμάτων μετάλλων μπορεί να προκαλέσει κίνδυνο ηλεκτροπληξίας.
12. **Μη χειρίζεστε το ηλεκτρικό εργαλείο κοντά σε εύφλεκτα υλικά. Μη χειρίζεστε το ηλεκτρικό εργαλείο ενώ βρίσκεται τοποθετημένο σε καύσιμη επιφάνεια, όπως ξύλο.** Σπινθήρες μπορεί να αναφλέξουν τα υλικά αυτά.
13. **Μη χρησιμοποιείτε εξαρτήματα που χρειάζονται ψυκτικά υγρά.** Η χρήση νερού ή άλλων ψυκτικών υγρών μπορεί να προκαλέσει ηλεκτροπληξία ή σοκ.

Κλόσσημα και σχετικές προειδοποιήσεις

Το κλόσσημα είναι μια ξαφνική αντίδραση λόγω σύσφιξης ή σκαλώματος του περιστρεφόμενου τροχού. Η σύσφιξη ή το σκάλωμα προκαλεί ταχεία ακινητοποίηση του περιστρεφόμενου τροχού, το οποίο στη συνέχεια υποχρεώνει την ανεξέλεγκτη μονάδα κοπής σε ανοδική κίνηση προς τον χειριστή.

Για παράδειγμα, αν ένας λειαντικός τροχός περιέλθει σε σύσφιξη ή σκάλωμα στο τεμάχιο εργασίας, η ακμή του τροχού που εισέρχεται στο σημείο σύσφιξης μπορεί να σκάψει την επιφάνεια του υλικού προκαλώντας την αναπήδηση ή το κλόσσημα του τροχού. Υπό αυτές τις συνθήκες, οι λειαντικοί τροχοί μπορεί επίσης να υποστούν θραύση.

Το κλόσσημα είναι αποτέλεσμα κακής χρήσης του ηλεκτρικού εργαλείου ή/και εσφαλμένων χειρισμών ή συνθηκών και μπορεί να αποφευχθεί με τις κατάλληλες προφυλάξεις όπως δίνονται παρακάτω.

1. **Κρατάτε σταθερά το ηλεκτρικό εργαλείο και τοποθετήστε το σώμα σας και τον βραχίονα έτσι ώστε να ανθίστανται στις δυνάμεις του κλοστήματος.** Ο χειριστής μπορεί να ελέγξει τις ανοδικές αντιδράσεις κλοστήματος, αν έχουν ληφθεί οι κατάλληλες προφυλάξεις.
2. **Μην ευθυγραμμίζετε το σώμα σας με τον περιστρεφόμενο τροχό.** Αν συμβεί κλόσσημα, η μονάδα κοπής θα κατευθυνθεί ανοδικά προς το χειριστή.
3. **Μην προσαρμόζετε αλυσοπρίονο, λεπίδα ξυλογλυπτικής, τμηματικό διαμαντοτροχό με περιφερειακό κενό μεγαλύτερο από 10 mm ή οδοντωτή λεπίδα πριονιού.** Οι λεπίδες αυτού του τύπου προκαλούν συχνά κλόσσημα και απώλεια ελέγχου.
4. **Μην προκαλείτε «μάγκωμα» του τροχού και μην ασκείτε υπερβολική πίεση. Μην επιχειρείτε να δημιουργήσετε τομή υπερβολικού βάθους.** Η άσκηση υπερβολικής δύναμης στον τροχό αυξάνει το φορτίο και τη δεκτικότητα σε συστολή ή εμπλοκή του τροχού εντός της τομής και την πιθανότητα κλοστήματος ή θραύσης του τροχού.
5. **Σε περίπτωση εμπλοκής του τροχού ή διακοπής της κοπής για οποιοδήποτε λόγο, απενεργοποιήστε το ηλεκτρικό εργαλείο και κρατήστε την μονάδα κοπής ακίνητη, έως ότου ο τροχός ακινητοποιηθεί πλήρως. Μην επιχειρήσετε ποτέ να αφαιρέσετε τον τροχό από την κοπή, ενώ ο τροχός κινείται, επειδή μπορεί να παρουσιαστεί κλόσσημα.** Ερευνήστε και λάβετε διορθωτικά μέτρα για να εξαλειφθεί η αιτία εμπλοκής του τροχού.
6. **Μην επαναλάβετε την εργασία κοπής στο τεμάχιο εργασίας. Αφήστε τον τροχό να αποκτήσει μέγιστη ταχύτητα και εισαγάγετε ξανά τον τροχό στην κοπή με προσοχή.** Ο τροχός μπορεί να παρουσιάσει εμπλοκή, αναπήδηση ή κλόσσημα αν ενεργοποιηθεί το ηλεκτρικό εργαλείο εντός του τεμαχίου εργασίας.
7. **Να στηρίζετε οποιοδήποτε υπερμέγεθες τεμάχιο εργασίας ώστε να ελαχιστοποιηθεί ο κίνδυνος σύσφιξης και κλοστήματος του τροχού.** Τα μεγάλα τεμάχια εργασίας τείνουν να παρουσιάζουν κάμψη προς τα κάτω λόγω του βάρους τους. Πρέπει να τοποθετούνται υποστηρίγματα κάτω από το τεμάχιο εργασίας κοντά στη γραμμή κοπής και κοντά στο άκρο του τεμαχίου εργασίας και στις δύο πλευρές του τροχού.

Πρόσθετες προειδοποιήσεις ασφάλειας

1. **Προσέχετε για ιπτάμενους σπινθήρες κατά τη λειτουργία.** Μπορεί να προκαλέσουν τραυματισμό ή να ανάψουν εύφλεκτα υλικά.
2. **Ασφαλίστε το τεμάχιο εργασίας. Να χρησιμοποιείτε σφικτήρες ή μια μέγκενη για να συγκρατείτε το τεμάχιο εργασίας, όταν είναι πρακτικά εφικτό.** Είναι πολύ ασφαλέστερο από το να χρησιμοποιείτε το χέρι σας, ενώ θα είναι και τα δύο σας χέρια ελεύθερα για να χειρίζεστε το εργαλείο.
3. **Ασφαλίστε τον τροχό αποκοπής προσεκτικά.**
4. **Προσέχετε να μην κάνετε ζημιά στο αξόνιο, στις φλάντζες (ειδικά την επιφάνεια εγκατάστασης) ή στο μπουλόνι, διαφορετικά ο ίδιος ο τροχός αποκοπής μπορεί να σπάσει.**
5. **Κρατάτε τους προφυλακτικές στη θέση τους και σε καλή κατάσταση.**
6. **Κρατάτε τη χειρολαβή σταθερά.**
7. **Κρατάτε τα χέρια σας μακριά από τα περιστρεφόμενα μέρη.**
8. **Φροντίστε ο τροχός αποκοπής να μην έρχεται σε επαφή με το τεμάχιο εργασίας πριν από την ενεργοποίηση του διακόπτη.**
9. **Πριν από κάθε χρήση, παρακολουθήστε για τρεμουλιάσματα ή υπερβολικές δονήσεις που μπορεί να προκαλούνται από κακή τοποθέτηση ή κακή εξισορρόπηση του τροχού.**
10. **Αφαιρέστε υλικά ή απορρίμματα από το χώρο που μπορεί να αναφλεγούν από τους σπινθήρες. Βεβαιωθείτε ότι κανείς δεν βρίσκεται στη τροχιά των σπινθήρων. Κρατάτε διαθέσιμο κοντά, ένα κατάλληλο, φορητό πυροσβεστήρα.**
11. **Αν ο τροχός αποκοπής σταματάει κατά τη λειτουργία, κάνει αλλόκοτο θόρυβο ή αρχίζει να δονείται, σβήστε αμέσως το εργαλείο.**
12. **Να σβήνεται πάντα τον τροχό αποκοπής και να περιμένετε να ακινητοποιηθεί τελείως πριν τον**

αφαιρέσετε, στερεώσετε το τεμάχιο εργασίας, χειριστείτε τη μέγκνη, αλλάξτε θέση εργασίας, γωνία ή τον ίδιο το τροχό αποκοπής.

- Μην πιεύετε το τεμάχιο εργασίας αμέσως μετά τη λειτουργία επειδή είναι εξαιρετικά θερμό και μπορεί να σας προκαλέσει εγκαύματα.
- Αποθηκεύετε τροχούς μόνο σε χώρους χωρίς υγρασία.

ΦΥΛΑΞΤΕ ΑΥΤΕΣ ΤΙΣ ΟΔΗΓΙΕΣ.

Σημαντικές οδηγίες ασφάλειας για κασέτα μπαταριών

- Πριν χρησιμοποιήσετε την κασέτα μπαταριών, διαβάστε όλες τις οδηγίες και σημειώσεις προφύλαξης (1) στον φορτιστή μπαταριών, (2) στην μπαταρία και (3) στο προϊόν που χρησιμοποιεί την μπαταρία.
- Μην αποσυναρμολογήσετε την κασέτα μπαταριών.
- Εάν ο χρόνος λειτουργίας έχει γίνει υπερβολικά βραχύς, σταματήστε τη λειτουργία αμέσως. Αλλιώς, μπορεί να έχει ως αποτέλεσμα κίνδυνο υπερθέρμανσης, πιθανά εγκαύματα ή ακόμη και έκρηξη.
- Εάν ηλεκτρολύτης μπει στα μάτια σας, ξεπλύνετε τα με καθαρό νερό και ζητήστε ιατρική φροντίδα αμέσως. Αλλιώς, μπορεί να έχει ως αποτέλεσμα απώλεια της όρασης σας.
- Μη βραχυκυκλώνετε την κασέτα μπαταριών:
 - Μην αγγίζετε τους πόλους με οτιδήποτε αγώγιμο υλικό.
 - Αποφεύγετε να αποθηκεύετε την κασέτα μπαταριών μέσα σε ένα δοχείο μαζί με άλλα μεταλλικά αντικείμενα όπως καρφιά, νομίσματα, κλπ.
 - Μην εκθέτετε την κασέτα μπαταριών στο νερό ή στη βροχή.

Ένα βραχυκύκλωμα μπαταρίας μπορεί να προκαλέσει μεγάλη ροή ρεύματος, υπερθέρμανση, πιθανά εγκαύματα ακόμη και σοβαρή βλάβη.

- Μην αποθηκεύετε το εργαλείο και την κασέτα μπαταριών σε τοποθεσίες όπου η θερμοκρασία μπορεί να φτάσει ή να ξεπεράσει τους 50°C.
- Μην καίτε την κασέτα μπαταριών ακόμη και εάν έχει σοβαρή ζημιά ή είναι εντελώς φθαρμένη. Η κασέτα μπαταριών μπορεί να εκραγεί στη φωτιά.
- Προσέχετε να μη ρίξετε κάτω ούτε να χτυπήσετε τη μπαταρία.
- Μη χρησιμοποιείτε μπαταρία που έχει υποστεί ζημιά.
- Οι μπαταρίες ιόντων λιθίου που περιέχονται υποκινείται στις απαιτήσεις της νομοθεσίας για επικίνδυνα αγαθά.

Για εμπορικές μεταφορές, για παράδειγμα από τρίτα μέρη, πρέπει να τηρούνται οι διαμεταφορές, οι ειδικές απαιτήσεις στη συσκευασία και η επισήμανση. Για προετοιμασία του στοιχείου που αποστέλλεται, είναι απαραίτητο να συμβουλευτείτε έναν ειδικό για επικίνδυνα υλικά. Επίσης, τηρήστε τους πιθανούς, πιο αναλυτικούς εθνικούς κανονισμούς.

Καλύψτε με αυτοκόλλητη ταινία ή κρύψτε τις ανοικτές επαφές και συσκευάστε την μπαταρία με τρόπο που να μην μπορεί να μετακινείται μέσα στη συσκευασία.

- Τηρήστε τους τοπικούς κανονισμούς που σχετίζονται με τη διάθεση της μπαταρίας.
- Χρησιμοποιήστε τις μπαταρίες μόνο με τα προϊόντα που καθορίζει η Makita. Αν τοποθετήσετε τις μπαταρίες σε μη συμβατά προϊόντα μπορεί να έχει ως αποτέλεσμα πυρκαγιά, υπερβολική θερμότητα, έκρηξη ή διαρροή ηλεκτρολύτη.

ΦΥΛΑΞΤΕ ΤΙΣ ΟΔΗΓΙΕΣ ΑΥΤΕΣ.

▲ΠΡΟΣΟΧΗ: Να χρησιμοποιείτε μόνο γνήσιες μπαταρίες της Makita. Η χρήση μη γνήσιων μπαταριών Makita, ή μπαταριών που έχουν τροποποιηθεί, μπορεί να έχει ως αποτέλεσμα τη ρήξη της μπαταρίας, προκαλώντας πυρκαγιά, προσωπικό τραυματισμό και βλάβη. Επίσης, θα ακρωρωθεί η εγγύηση της Makita για το εργαλείο και φορτιστή Makita.

Συμβουλές για τη διατήρηση της μέγιστης ζωής μπαταρίας

- Φορτίζετε την κασέτα μπαταριών πριν από την πλήρη αποφόρτίσή της. Πάντοτε να σταματάτε τη λειτουργία του εργαλείου και να φορτίζετε την κασέτα μπαταριών όταν παρατηρείτε μειωμένη ισχύ εργαλείου.
- Ποτέ μην επαναφορτίζετε μια πλήρως φορτισμένη κασέτα μπαταριών. Η υπερφόρτιση μειώνει την ωφέλιμη ζωή της μπαταρίας.
- Να φορτίζετε την κασέτα μπαταριών σε θερμοκρασία δωματίου, δηλαδή στους 10°C έως 40°C. Αφήστε μια θερμή κασέτα μπαταριών να κρυσώσει πριν την φορτίσετε.
- Να φορτίζετε την κασέτα μπαταριών εάν δεν τη χρησιμοποιείτε για μεγάλη χρονική περίοδο (περισσότερο από έξι μήνες).

ΤΟΠΟΘΕΤΗΣΗ

▲ΠΡΟΕΙΔΟΠΟΙΗΣΗ: Αυτό το εργαλείο παράγει σπινθήρες όταν κόβετε ένα τεμάχιο εργασίας. Μην τοποθετείτε αυτό το εργαλείο σε μέρος όπου μπορεί να αναφλεγούν εύφλεκτα ή/και εκρηκτικά υλικά από σπινθήρες από το εργαλείο. Επίσης, βεβαιωθείτε ότι δεν υπάρχουν τέτοια υλικά κοντά στο εργαλείο πριν ξεκινήσετε τη λειτουργία.

Ασφάλιση της βάσης

Το εργαλείο αυτό πρέπει να είναι βιδωμένο με δύο μπουλόνια σε μια επίπεδη και σταθερή επιφάνεια χρησιμοποιώντας τις τρύπες για μπουλόνια που παρέχονται στη βάση του εργαλείου. Αυτό θα συμβάλλει στην αποφυγή της ανατροπής του εργαλείου και πιθανού προσωπικού τραυματισμού.

► **Εικ.1:** 1. Τρύπες για μπουλόνια 2. Βάση

ΠΕΡΙΓΡΑΦΗ ΛΕΙΤΟΥΡΓΙΑΣ

▲ ΠΡΟΕΙΔΟΠΟΙΗΣΗ: Να φροντίζετε πάντα ώστε το εργαλείο να έχει απενεργοποιηθεί και η κασέτα μπαταριών να έχει αφαιρεθεί πριν από τη ρύθμιση ή τον έλεγχο λειτουργίας του εργαλείου. Εάν δεν σβήσετε το εργαλείο και δεν βγάλετε την κασέτα μπαταριών, μπορεί να προκληθεί σοβαρός προσωπικός τραυματισμός από την τυχαία εκκίνηση.

Απασφάλιση/Ασφάλιση της κεφαλής εργαλείου

Η κεφαλή εργαλείου μπορεί να ασφαλιστεί. Να ασφαρίζετε πάντα την κεφαλή εργαλείου όταν δεν χρησιμοποιείται ή όταν μεταφέρεται.

Για απασφάλιση, πατήστε λίγο την κεφαλή εργαλείου και ωθήστε τον πείρο ασφάλισης. Για ασφάλιση, επιστρέψτε τον πείρο ασφάλισης ενώ κρατάτε κάτω την κεφαλή εργαλείου.

► **Εικ.2:** 1. Πείρος ασφάλισης

Τοποθέτηση ή αφαίρεση της κασέτας μπαταριών

▲ ΠΡΟΣΟΧΗ: Να σβήνετε πάντα το εργαλείο πριν τοποθετήσετε ή αφαιρέσετε την κασέτα μπαταριών.

▲ ΠΡΟΣΟΧΗ: Κρατήστε το εργαλείο και την κασέτα μπαταριών σταθερά κατά την τοποθέτηση ή αφαίρεση της κασέτας μπαταριών. Εάν δεν κρατάτε το εργαλείο και την κασέτα μπαταριών σταθερά μπορεί να γλιστρήσουν από τα χέρια σας και να προκληθεί βλάβη στο εργαλείο και την κασέτα μπαταριών και προσωπικός τραυματισμός.

► **Εικ.3:** 1. Κόκκινη ένδειξη 2. Κουμπί 3. Κασέτα μπαταριών

Για να αφαιρέσετε την κασέτα μπαταριών, ολισθήστε την από το εργαλείο ενώ σύρετε το κουμπί στο μπροστινό μέρος της κασέτας.

Για να τοποθετήσετε την κασέτα μπαταριών, ευθυγραμμίστε τη γλώσσα στην κασέτα μπαταριών με την αύλακα στην υποδοχή και ολισθήστε τη στη θέση της. Να την τοποθετείτε πλήρως μέχρι να ασφαλίσει στη θέση της, γεγονός που υποδεικνύεται με ένα χαρακτηριστικό ήχο. Εάν μπορείτε να δείτε την κόκκινη ένδειξη στην επάνω πλευρά του κουμπιού, δεν έχει κλειδώσει τελείως.

▲ ΠΡΟΣΟΧΗ: Να τοποθετείτε πάντα την κασέτα μπαταριών πλήρως μέχρι να μη βλέπετε την κόκκινη ένδειξη. Εάν δεν ασφαλιστεί, μπορεί να πέσει από το εργαλείο τυχαία, προκαλώντας σωματική βλάβη σε εσάς ή κάποιον άλλο γύρω σας.

▲ ΠΡΟΣΟΧΗ: Μην τοποθετείτε την κασέτα μπαταριών με βία. Εάν η κασέτα δεν ολισθαίνει με ευκολία, τότε δεν έχει τοποθετηθεί κατάλληλα.

ΠΑΡΑΤΗΡΗΣΗ: Το εργαλείο δεν λειτουργεί με μόνο μία κασέτα μπαταριών.

Σύστημα προστασίας εργαλείου/μπαταρίας

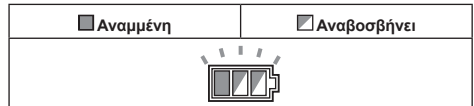
Το εργαλείο είναι εξοπλισμένο με σύστημα προστασίας εργαλείου/μπαταρίας. Αυτό το σύστημα αποκόπτει αυτόματα την ισχύ προς το μοτέρ για να παραταθεί η διάρκεια λειτουργίας του εργαλείου και της μπαταρίας. Το εργαλείο σταματάει αυτόματα κατά τη διάρκεια της λειτουργίας εάν το εργαλείο ή η μπαταρία βρεθούν κάτω από τις παρακάτω συνθήκες. Σε μερικές συνθήκες, οι ενδείξεις ανάβουν.

Προστασία υπερφόρτωσης

Όταν το εργαλείο λειτουργεί με τρόπο που προκαλεί την κατανάλωση ενός ασυνήθιστα υψηλού ηλεκτρικού ρεύματος, το εργαλείο σταματάει αυτόματα. Σε αυτή την κατάσταση, σβήστε το εργαλείο και διακόψτε την εφαρμογή που προκαλεί την υπερφόρτωση του εργαλείου. Μετά, ενεργοποιήστε το εργαλείο για επανεκκίνηση.

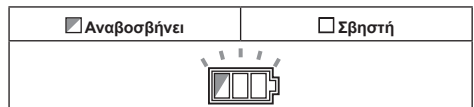
Προστασία υπερθέρμανσης

Όταν το εργαλείο υπερθερμανθεί, το εργαλείο σταματάει αυτόματα και η ένδειξη μπαταρίας αναβοσβήνει για περίπου 60 δευτερόλεπτα. Σε αυτή την κατάσταση, αφήστε να μειωθεί η θερμοκρασία του εργαλείου πριν ενεργοποιήσετε ξανά το εργαλείο.



Προστασία υπερβολικής αποφόρτισης


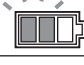


Όταν η χωρητικότητα μπαταρίας γίνει χαμηλή, το εργαλείο σταματάει αυτόματα και η ένδειξη μπαταρίας της εξαντλημένης κασέτας μπαταριών αναβοσβήνει. Αν το προϊόν δεν λειτουργήσει ακόμα και όταν χειριστείτε τους διακόπτες, αφαιρέστε την εξαντλημένη κασέτα μπαταριών από το εργαλείο και φορτίστε την.



Υπόδειξη υπόλοιπης χωρητικότητας μπαταρίας

► **Εικ.4:** 1. Ένδειξη μπαταρίας 2. Κουμπί ελέγχου

Πιέστε το κουμπί ελέγχου για να εμφανιστεί η υπόλοιπη χωρητικότητα της μπαταρίας. Οι ενδείξεις μπαταριών αντιστοιχούν σε κάθε μπαταρία.

Κατάσταση ένδειξης μπαταρίας			Υπολειπόμενη χωρητικότητα μπαταρίας
<input checked="" type="checkbox"/> Αναμμένες	<input type="checkbox"/> Σβηστές	<input checked="" type="checkbox"/> Αναβοσβήνουν	
			50% έως 100%
			20% έως 50%
			0% έως 20%
			Φορτίστε την μπαταρία

Εμφάνιση υπολειπόμενης χωρητικότητας μπαταρίας

Μόνο για κασέτες μπαταρίας με την ενδεικτική λυχνία

► **Εικ.5:** 1. Ενδεικτικές λυχνίες 2. Κομπτί ελέγχου

Πίστετε το κομπτί ελέγχου στην κασέτα μπαταριών για να υποδείξετε την υπολειπόμενη χωρητικότητα μπαταρίας. Οι ενδεικτικές λυχνίες ανάβουν για λίγα δευτερόλεπτα.

Ενδεικτικές λυχνίες			Υπολειπόμενη χωρητικότητα
■ Αναμμένες	□ Σβηστές	▣ Αναβοσβήνουν	
■ ■ ■ ■			75% έως 100%
■ ■ ■ □			50% έως 75%
■ ■ □ □			25% έως 50%
■ □ □ □			0% έως 25%
▣ □ □ □			Φορτίστε την μπαταρία.
■ ■ □ □			Μπορεί να προέκυψε δυσλειτουργία στην μπαταρία.
□ □ ■ ■	↑ ↓		

ΠΑΡΑΤΗΡΗΣΗ: Ανάλογα με τις συνθήκες χρήσης και τη θερμοκρασία περιβάλλοντος, η ένδειξη μπορεί να διαφέρει λίγο από την πραγματική χωρητικότητα.

Δράση διακόπτη

▲ ΠΡΟΕΙΔΟΠΟΙΗΣΗ: Πριν βάλετε την κασέτα μπαταρίας μέσα στο εργαλείο, να ελέγχετε πάντα να δείτε αν η σκανδάλη διακόπτης ενεργοποιείται κανονικά και επιστρέφει στη θέση «OFF» όταν ελευθερώνεται.

► **Εικ.6:** 1. Κομπτί απασφάλισης 2. Σκανδάλη διακόπτης

Για να μην πιέζεται η σκανδάλη διακόπτης κατά λάθος, παρέχεται ένα κομπτί κλειδώματος. Για να ξεκινήσετε τη λειτουργία του εργαλείου, πατήστε το κομπτί κλειδώματος και πατήστε τη σκανδάλη διακόπτη. Για διακοπή της λειτουργίας, ελευθερώστε τη σκανδάλη διακόπτη.

▲ ΠΡΟΕΙΔΟΠΟΙΗΣΗ: Μην παρακάμπετε ΠΟΤΕ το κομπτί απασφάλισης συγκρατώντας το πιεσμένο με αυτοκόλλητη ταινία ή άλλο μέσο. Ένας διακόπτης με παραβιασμένο κομπτί απασφάλισης μπορεί να προκαλέσει ακούσια λειτουργία και σοβαρό ατομικό τραυματισμό.

▲ ΠΡΟΕΙΔΟΠΟΙΗΣΗ: Μη χρησιμοποιείτε ΠΟΤΕ το εργαλείο αν μπορείτε να το θέσετε σε λειτουργία πιέζοντας απλά τη σκανδάλη διακόπτη, χωρίς να πατήσετε και το κομπτί απασφάλισης. Ένας διακόπτης που απαιτεί επισκευή μπορεί να προκαλέσει ακούσια λειτουργία και σοβαρό ατομικό τραυματισμό. Στείλτε το εργαλείο σε κέντρο εξυπηρέτησης της Makita για να το επισκευάσουν σωστά ΠΡΙΝ το χρησιμοποιήσετε ξανά.

ΕΙΔΟΠΟΙΗΣΗ: Μην τραβάτε τη σκανδάλη διακόπτη δυνατά χωρίς να πατήσετε μέσα το κομπτί απασφάλισης. Αυτό μπορεί να προκαλέσει βλάβη του διακόπτη.

Ένδειξη κατάστασης φορτίου

Η ένδειξη κατάστασης φορτίου δείχνει το επίπεδο φορτίου στο μοτέρ κατά τη λειτουργία κοπής. Καθώς το φορτίο στο μοτέρ αυξάνεται, ο αριθμός των λυχνιών που ανάβουν αυξάνεται.

► **Εικ.7:** 1. Ένδειξη κατάστασης φορτίου

Ειδοποίηση υπερφόρτωσης

Αν το μοτέρ τεθεί σε λειτουργία με υπερβολικό φορτίο, όλες οι λυχνίες της ένδειξης κατάστασης φορτίου αναβοσβήνουν. Σε αυτή την περίπτωση, μειώστε το φορτίο στο μοτέρ. Αν συνεχίσετε να φορτώνετε το μοτέρ ενώ η ένδειξη κατάστασης φορτίου αναβοσβήνει, το εργαλείο θα σταματήσει αυτόματα σε λίγα δευτερόλεπτα λόγω της προστασίας υπερφόρτωσης.

ΠΑΡΑΤΗΡΗΣΗ: Αν παραχθεί υπερβολικό φορτίο όλο μαζί, το εργαλείο θα σταματήσει αυτόματα χωρίς να αναβοσβήσει η ένδειξη κατάστασης φορτίου.

Διάστημα μεταξύ μέγκενης και πλάκας οδηγού

▲ ΠΡΟΣΟΧΗ: Αφού ρυθμίσετε το διάστημα μεταξύ μέγκενης και πλάκας οδηγού, βεβαιωθείτε ότι η πλάκα οδηγός είναι κατάλληλα ασφαλισμένη. Η ανεπαρκής στερέωση μπορεί να οδηγήσει σε προσωπικό τραυματισμό.

Οι ακόλουθες ρυθμίσεις διαστήματος της μέγκενης είναι δυνατές:

- 0 - 170 mm (αρχική ρύθμιση)
- 35 - 205 mm
- 70 - 240 mm

Αν η εργασία σας απαιτεί διαφορετική ρύθμιση, προχωρήστε ως ακολούθως για να αλλάξετε την απόσταση ή το διάστημα.

Χαλαρώστε τη βίδα στην πλάκα οδηγού. Μετακινήστε την πλάκα οδηγού στην επιθυμητή θέση και μετά σφίξτε τη βίδα.

► **Εικ.8:** 1. Βίδα 2. Πλάκα οδηγός

Ρύθμιση της γωνίας κοπής

▲ ΠΡΟΣΟΧΗ: Αφού ρυθμίσετε τη γωνία της πλάκας οδηγού, βεβαιωθείτε ότι η πλάκα οδηγού είναι κατάλληλα ασφαλισμένη. Η ανεπαρκής στερέωση μπορεί να οδηγήσει σε προσωπικό τραυματισμό.

▲ ΠΡΟΣΟΧΗ: Μη χρησιμοποιείτε το εργαλείο όταν το υλικό δεν είναι καλά ασφαλισμένο στη μέγκενη λόγω της γωνίας κοπής.

Περιστρέψτε το μοχλό αριστερόστροφα. Μετακινήστε την πλάκα οδηγού στην επιθυμητή γωνία και σφίξτε πλήρως το μοχλό.

► **Εικ.9:** 1. Πλάκα οδηγός 2. Μοχλός

ΠΑΡΑΤΗΡΗΣΗ: Η κλίμακα στην πλάκα οδηγό είναι μια πρόχειρη ένδειξη. Για πιο ακριβή γωνία, χρησιμοποιήστε μοιρογνωμόνιο ή τριγωνικό χάρακα. Διατηρήστε τη χειρολαβή προς τα κάτω ώστε ο τροχός αποκοπής να επεκτείνεται στη βάση. Ταυτόχρονα, ρυθμίστε τη γωνία μεταξύ της πλάκας οδηγού και του τροχού αποκοπής με μοιρογνωμόνιο ή τριγωνικό χάρακα.

Ρύθμιση προφυλακτήρα σπινθήρων

Ειδικό της χώρας

Ο προφυλακτήρας σπινθήρων τοποθετείται από το εργοστάσιο με τη χαμηλότερη άκρη του να εφάπτεται στη βάση. Η λειτουργία του εργαλείου σε αυτή τη θέση θα έχει ως αποτέλεσμα να πεταχτούν πολλοί σπινθήρες. Χαλαρώστε τη βίδα και ρυθμίστε τον προφυλακτήρα σπινθήρων σε μια θέση όπου θα πετάνονται ελάχιστα σπινθήρες.

► **Εικ.10:** 1. Βίδα 2. Προφυλακτήρας σπινθήρων

Ηλεκτρονική λειτουργία

Τα εργαλεία που είναι εξοπλισμένα με ηλεκτρονική λειτουργία είναι εύκολα στη χρήση λόγω του(ων) ακόλουθου(ων) χαρακτηριστικού(ών).

Δυνατότητα ομαλής έναρξης

Ομαλή έναρξη επειδή καταστέλλεται η αιφνίδια έναρξη.

ΣΥΝΑΡΜΟΛΟΓΗΣΗ

▲ΠΡΟΕΙΔΟΠΟΙΗΣΗ: Πάντοτε να βεβαιώνετε ότι το εργαλείο είναι σβηστό και η κασέτα μπαταριών έχει αφαιρεθεί πριν εργαστείτε με το εργαλείο. Η μη απενεργοποίηση και αφαίρεση της κασέτας μπαταριών μπορεί να καταλήξει σε σοβαρό τραυματισμό.

Άνοιγμα του προφυλακτήρα ασφάλειας τύπου κεντρικού καπακιού

Ειδικό της χώρας

Για τα εργαλεία που είναι εξοπλισμένα με προφυλακτήρα ασφάλειας τύπου κεντρικού καπακιού, χαλαρώστε πρώτα τη βίδα σύσφιξης και μετά σηκώστε τον προφυλακτήρα.

► **Εικ.11:** 1. Βίδα σύσφιξης

Άνοιγμα προφυλακτήρα ασφάλειας ευρωπαϊκού τύπου

Ειδικό της χώρας

Για τα εργαλεία που είναι εξοπλισμένα με προφυλακτήρα ασφάλειας ευρωπαϊκού τύπου, χαλαρώστε πρώτα τη βίδα σύσφιξης και μετά ανοίξτε τον προφυλακτήρα όπως απεικονίζεται.

► **Εικ.12:** 1. Βίδα σύσφιξης

► **Εικ.13**

► **Εικ.14**

Αφαίρεση ή τοποθέτηση του τροχού αποκοπής

▲ΠΡΟΣΟΧΗ: Βεβαιωθείτε να σφίξετε το αυτόματο κλειδίμα με ασφάλεια. Το ανεπαρκές σφίξιμο μπορεί να οδηγήσει σε σοβαρό τραυματισμό.

▲ΠΡΟΣΟΧΗ: Να χρησιμοποιείτε πάντα μόνο την κατάλληλη εσωτερική και εξωτερική φλάντζα που παρέχονται με το εργαλείο.

▲ΠΡΟΣΟΧΗ: Να χαμηλώνετε πάντα τον προφυλακτήρα ασφάλειας αφού αντικαταστήσετε τον τροχό αποκοπής.

▲ΠΡΟΣΟΧΗ: Να φοράτε γάντια κατά το χειρισμό των τροχών.

Ανεβάστε τον προφυλακτήρα ασφάλειας. Περιστρέψτε αριστερόστροφα το αυτόματο κλειδίμα, ενώ κρατάτε πατημένο το εξάρτημα κλειδιώματος άξονα. Στη συνέχεια, αφαιρέστε το αυτόματο κλειδίμα, την εξωτερική φλάντζα και τον τροχό αποκοπής. Όταν αφαιρέτε τον τροχό αποκοπής, μην αφαιρέσετε την εσωτερική φλάντζα ούτε το δακτύλιο και το στρογγυλό δακτύλιο.

► **Εικ.15:** 1. Εξάρτημα κλειδιώματος άξονα
2. Αυτόματο κλειδίμα

► **Εικ.16:** 1. Εσωτερική φλάντζα 2. Δακτύλιος
3. Στρογγυλός δακτύλιος 4. Τροχός αποκοπής 5. Εξωτερική φλάντζα 6. Αυτόματο κλειδίμα

Για να τοποθετήσετε τον τροχό αποκοπής, ακολουθήστε τις διαδικασίες αφαίρεσης με αντίστροφη σειρά. Βεβαιωθείτε να προσαρμόσετε την οπή του τροχού αποκοπής στο δακτύλιο και να επιστρέψετε τον προφυλακτήρα ασφάλειας.

ΛΕΙΤΟΥΡΓΙΑ

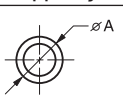
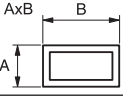
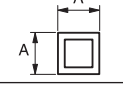

▲ΠΡΟΣΟΧΗ: Η σωστή πίεση στη χειρολαβή κατά το κόψιμο και η μέγιστη επάρκεια κοπής μπορούν να προσδιοριστούν από την ποσότητα των σπινθήρων που παράγονται κατά το κόψιμο. Μην ζορίζετε το κόψιμο εφαρμόζοντας υπερβολική πίεση στη χειρολαβή. Αυτό μπορεί να προκαλέσει μειωμένη επάρκεια κοπής, πρόωρη φθορά τροχού, καθώς και πιθανή βλάβη του εργαλείου, του τροχού αποκοπής ή του τεμαχίου εργασίας.

Κρατάτε τη χειρολαβή σταθερά. Ενεργοποιήστε το εργαλείο και περιμένετε μέχρι ο τροχός αποκοπής να αποκτήσει πλήρη ταχύτητα πριν τον χαμηλώσετε απαλά στο κόψιμο. Όταν ο τροχός αποκοπής κάνει επαφή με το τεμάχιο εργασίας, πιέστε βαθμιαία προς τα κάτω τη χειρολαβή για να εκτελέσετε την κοπή. Όταν το κόψιμο ολοκληρωθεί, σβήστε το εργαλείο και περιμένετε μέχρι ο τροχός αποκοπής να σταματήσει τελείως πριν επαναφέρετε τη χειρολαβή στην πλήρως ανασηκωμένη θέση.

Ικανότητα κοπής

Η μέγιστη ικανότητα κοπής διαφέρει ανάλογα με τη γωνία κοπής και το σχήμα του τεμαχίου εργασίας.

Μέγ. χωρητικότητα κοπής με ολοκαίνουριο τροχό αποκοπής

Γωνία κοπής / Σχήμα τεμαχίου εργασίας	90°	45°
	∅127 mm	∅127 mm
	115 x 130 mm 102 x 194 mm 70 x 233 mm	115 x 103 mm
	119 x 119 mm	106 x 106 mm
	137 x 137 mm	100 x 100 mm

ΠΑΡΑΤΗΡΗΣΗ: Συνιστάται τεμάχιο εργασίας με πάχος μικρότερο από 1,6 mm για κοπή με αυτό το εργαλείο.

Ασφάλιση τεμαχίου εργασίας

⚠ ΠΡΟΣΟΧΗ: Να θέτετε πάντα την υποδοχή σπειρώματος στα σπειρώματα άξονα όταν ασφαλίσετε το τεμάχιο εργασίας. Διαφορετικά μπορεί το τεμάχιο εργασίας να μη στερεωθεί επαρκώς. Αυτό μπορεί να προκαλέσει εκτόξευση του τεμαχίου εργασίας ή επικίνδυνη ζημιά του τροχού αποκοπής.

Ενν ανυψώνεται η υποδοχή σπειρώματος, η πλάκα μέγκενης μπορεί να μετακινηθεί μέσα και έξω γρήγορα. Για να συγκρατήσετε το τεμάχιο εργασίας, σπρώξτε τη χειρολαβή μέχρι η πλάκα μέγκενης να έρθει σε επαφή με το τεμάχιο εργασίας και μετά επιστρέψτε την υποδοχή σπειρώματος. Περιστρέψτε τη χειρολαβή δεξιόστροφα μέχρι να συγκρατείτε καλά το τεμάχιο εργασίας.

► **Εικ.17:** 1. Χειρολαβή 2. Υποδοχή σπειρώματος 3. Πλάκα μέγκενης

Όταν ο τροχός αποκοπής έχει φθαρεί σημαντικά, χρησιμοποιήστε ένα τάκο ρύθμισης απόστασης πίσω από το τεμάχιο εργασίας, όπως απεικονίζεται στην εικόνα. Μπορείτε να αξιοποιήσετε πιο αποδοτικά το φθαρμένο τροχό χρησιμοποιώντας το μεσαίο σημείο στην περιφέρεια του τροχού για να κόψετε το τεμάχιο εργασίας. Χρησιμοποιήστε ένα ανθεκτικό και μη εύφλεκτο υλικό για τάκο ρύθμισης απόστασης.

► **Εικ.18:** 1. Τάκος ρύθμισης απόστασης

Όταν κόβετε τεμάχια εργασίας που είναι μεγαλύτερα από 85 mm σε πλάτος υπό γωνία, συνάψτε ένα ίσιο κομμάτι ξύλου (τάκο ρύθμισης απόστασης), διαστάσεων μεγαλύτερων από 190 mm σε μήκος x 40 mm σε πλάτος, στην πλάκα οδηγό όπως απεικονίζεται στην εικόνα. Συνάψτε αυτόν τον τάκο ρύθμισης απόστασης με βίδες διαμέσου των τρυπών στην πλάκα οδηγό. Φροντίστε ο τροχός αποκοπής να μην έρχεται σε επαφή με τον τάκο ρύθμισης απόστασης όταν η κεφαλή εργαλείου είναι πατημένη.

► **Εικ.19:** 1. Πλάκα οδηγός 2. Τάκος ρύθμισης απόστασης (άνω των 190 mm σε μήκος x 40 mm σε πλάτος) 3. Τεμάχιο εργασίας (άνω των 85 mm σε πλάτος) 4. Πλάκα μέγκενης

ΕΙΔΟΠΟΙΗΣΗ: Όταν χρησιμοποιείτε τάκο ρύθμισης απόστασης, εγκαταστήστε την πλάκα οδηγό στη θέση που βρίσκεται πιο κοντά στο λαιμό της κεφαλής εργαλείου.

► **Εικ.20**

Όταν ο τροχός αποκοπής έχει φθαρεί σημαντικά, σηκώστε τη θέση κοπή τοποθετώντας έναν τάκο ρύθμισης απόστασης που είναι λίγο στενότερος από το τεμάχιο εργασίας, όπως απεικονίζεται στην εικόνα. Αυτό θα συμβάλει στην οικονομική χρήση του τροχού αποκοπής.

► **Εικ.21:** 1. Πλάκα μέγκενης 2. Διάμετρος τεμαχίου εργασίας 3. Πλάκα οδηγός 4. Πλάτος τάκου ρύθμισης απόστασης

Μακριά τεμάχια εργασίας πρέπει να υποστηρίζονται από τάκους σε κάθε πλευρά έτσι ώστε να είναι ευθυγραμμισμένα με την κορυφή της βάσης. Χρησιμοποιήστε μη εύφλεκτο υλικό για τη τάκους στήριξης.

► **Εικ.22:** 1. Τάκος υποστήριξης

Μεταφορά εργαλείου

Πριν τη μεταφορά, αφαιρέστε τις μπαταρίες και διπλώστε κάτω την κεφαλή του εργαλείου και μετά ασφαλίστε την. Κρατάτε τη χειρολαβή κατά τη μεταφορά.

► **Εικ.23**

ΣΥΝΤΗΡΗΣΗ

⚠ ΠΡΟΣΟΧΗ: Πριν την εκτέλεση εργασιών επιθεώρησης ή συντήρησης, πάντοτε να βεβαιώνετε ότι η συσκευή απενεργοποιήθηκε και η κασέτα μπαταριών έχει αφαιρεθεί.

ΕΙΔΟΠΟΙΗΣΗ: Μην χρησιμοποιείτε ποτέ βενζίνη, πετρελαϊκό αιθέρα, διαλυτικό, αλκοόλη ή παρόμοιες ουσίες. Μπορεί να προκληθεί αποχρωματισμός, παραμόρφωση ή ρωγμές.

Για τη διατήρηση της ΑΣΦΑΛΕΙΑΣ και ΑΞΙΟΠΙΣΤΙΑΣ του προϊόντος, οι επισκευές και οποιαδήποτε άλλη εργασία συντήρησης ή ρύθμισης πρέπει να εκτελούνται από εξουσιοδοτημένα ή εργοστασιακά κέντρα εξυπηρέτησης της Makita, χρησιμοποιώντας πάντοτε ανταλλακτικά της Makita.

ΠΡΟΑΙΡΕΤΙΚΑ ΕΞΑΡΤΗΜΑΤΑ

⚠ ΠΡΟΣΟΧΗ: Αυτά τα εξαρτήματα ή προσαρτήματα συνιστώνται για χρήση με το εργαλείο Makita που περιγράφηκε στις οδηγίες αυτές. Η χρήση οποιωνδήποτε άλλων εξαρτημάτων ή προσαρτημάτων μπορεί να προκαλέσει κίνδυνο τραυματισμού σε άτομα. Να χρησιμοποιείτε τα εξαρτήματα ή προσαρτήματα μόνο για την χρήση που προορίζονται.

Εάν χρειάζεστε οποιαδήποτε βοήθεια για περισσότερες πληροφορίες σε σχέση με αυτά τα εξαρτήματα, αποταθείτε στο τοπικό σας κέντρο εξυπηρέτησης Makita.

- Λειαντικοί τροχοί αποκοπής
- Γνήσια μπαταρία και φορτιστής της Makita

ΠΑΡΑΤΗΡΗΣΗ: Μερικά στοιχεία στη λίστα μπορεί να συμπεριλαμβάνονται στη συσκευασία εργαλείου ως στάνταρ εξαρτήματα. Μπορεί να διαφέρουν ανάλογα με τη χώρα.

TEKNİK ÖZELLİKLER

Model:	DLW140	
Disk çapı	355 mm	
Delik çapı	25,4 mm	
Maks. disk kalınlığı	3 mm	
Yüksüz hız	3.800 min ⁻¹	
Anma voltajı	D.C. 36 V	
Ebat (U x G x Y)	Avrupa tipi emniyet kapağı ile birlikte	537 mm x 290 mm x 640 mm
	Avrupa tipi olmayan emniyet kapağı ile birlikte	537 mm x 280 mm x 640 mm
	Orta kapaklı tip emniyet kapağı ile birlikte	537 mm x 280 mm x 640 mm
Net ağırlık	Avrupa tipi emniyet kapağı ile birlikte	17,2 - 17,8 kg
	Avrupa tipi olmayan emniyet kapağı ile birlikte	15,6 - 16,3 kg
	Orta kapaklı tip emniyet kapağı ile birlikte	15,4 - 16,0 kg

- Sürekli yapılan araştırma ve geliştirmelerden dolayı, burada belirtilen özellikler önceden bildirilmeksizin değiştirilebilir.
- Özellikler ülkeden ülkeye değişebilir.
- Ağırlık, ekli aksesuara/aksesuarlara ve batarya kartuşuna bağlı olarak farklılık gösterebilir. EPTA-Prosedürü 01/2014'e göre en hafif ve en ağır kombinasyonlar tabloda verilmiştir.
- Şekil ve ağırlık ülkeden ülkeye değişen teknik özelliklere bağlı olarak farklılık gösterir.

Geçerli batarya kartuşu ve şarj aleti

Batarya kartuşu	BL1815N / BL1820 / BL1820B / BL1830 / BL1830B / BL1840 / BL1840B / BL1850 / BL1850B / BL1860B
Şarj aleti	DC18RC / DC18RD / DC18RE / DC18SD / DC18SE / DC18SF

- Yukarıda listelenen batarya kartuşlarının ve şarj aletlerinin bazıları yaşadığınız bölgeye bağlı olarak mevcut olmayabilir.

UYARI: Sadece yukarıda listelenen batarya kartuşlarını ve şarj aletlerini kullanın. Başka batarya kartuşlarının ve şarj aletlerinin kullanılması yaralanma ve/veya yangına neden olabilir.

Kullanım amacı

Bu alet uygun aşındırıcı kesme diski ile demir malzemelerin kesilmesi için tasarlanmıştır. Ülkenizde toz ve iş yeri sağlığı ve güvenliğiyle ilgili tüm yasalara ve yönetmeliklere uyun.

Gürültü

Tipik A-ağırlıklı gürültü düzeyi (EN62841-3-10 standardına göre belirlenen):
Ses basınç seviyesi (L_{PA}): 103 dB (A)
Ses gücü düzeyi (L_{WA}): 115 dB (A)
Belirsizlik (K): 3 dB (A)

UYARI: Kulak koruyucuları takın.

Titreşim

Titreşim toplam değeri (üç eksenli vektör toplamı) (EN62841-3-10 standardına göre hesaplanan):
Titreşim emisyonu (a_w): 2,5 m/s²
Belirsizlik (K) : 1,5 m/s²

NOT: Beyan edilen titreşim emisyon değeri standart test yöntemine uygun şekilde ölçülmüştür ve bir aleti bir başkasıyla karşılaştırmak için kullanılabilir.

NOT: Beyan edilen titreşim emisyon değeri bir ön maruz kalma değerlendirmesi olarak da kullanılabilir.

UYARI: Bu elektrikli aletin gerçek kullanımı sırasındaki titreşim emisyonu aletin kullanım biçimlerine bağlı olarak beyan edilen emisyon değerinden farklı olabilir.

UYARI: Gerçek kullanım koşullarındaki maruz kalmanın bir tahmini hesaplaması temelinde operatörü koruyacak güvenlik önlemlerini mutlaka belirleyin (çalışma döngüsü içerisinde aletin kapalı olduğu ve aktif durumda olmasının yanı sıra boşta çalıştığı zamanlar gibi, bütün zaman dilimleri göz önünde bulundurularak değerlendirilmelidir).

EC Uygunluk Beyanı

Sadece Avrupa ülkeleri için

EC uygunluk beyanı bu kullanım kılavuzuna Ek A olarak eklenmiştir.

GÜVENLİK UYARILARI

Genel elektrikli alet güvenliği uyarıları

⚠UYARI: Bu elektrikli aletle birlikte sunulan tüm güvenlik uyarılarını, talimatları, çizimleri ve teknik özellikleri okuyun. Aşağıda verilen talimatlara uyulmaması elektrik şoku, yangın ve/veya ciddi yaralanmalar ile sonuçlanabilir.

Tüm uyarıları ve talimatları ile-ride başvurmak için saklayın.

Uyarılardaki "elektrikli alet" terimi ile ya prizden çalışan (kordonlu) elektrikli aletiniz ya da kendi aküsü ile çalışan (kordonsuz) elektrikli aletiniz kastedilmektedir.

Kesme makinası güvenlik uyarıları

- Kendinizi ve etrafınızdaki diğer kişileri dönen diskin düzleminden uzak tutun.** Siper, operatörü kırık disk parçalarından ve diske kazayla temas etmekten korur.
- Elektrikli aletiniz için sadece bağlı, takviyeli kesme diskleri kullanın.** Bir aksesuarın elektrikli aletinize takılabiliyor olması, tek başına onun güvenli çalışacağını garanti etmez.
- Aksesuarın nominal hızı en azından elektrikli aletin üstünde belirtilen maksimum hıza eşit olmalıdır.** Nominal hızlarından daha hızlı çalışan aksesuarlar kırılabilir ve fırlayabilir.
- Diskler sadece tavsiye edilen uygulamalar için kullanılmalıdır.** Örneğin bir kesme diskinin yan tarafıyla taşlama yapmayın. Aşındırıcı kesme diskleri çevresel aşındırmaya yöneliktir, bu disklere etki eden yan kuvvetler parçalanmalarına neden olabilir.
- Daima, seçtiğiniz diskiniz için doğru çapta, hasarsız disk flanşları kullanın.** Doğru disk flanşları diski destekleyerek, disk kırılması olasılığını azaltır.
- Aksesuarınızın dış çapı ve kalınlığı elektrikli aletinizin kapasite derecelendirmesi dahilinde olmalıdır.** Doğru boyutta olmayan aksesuarlar yeterince korunamayabilir ve kontrol edilemeyebilir.
- Diskların ve flanşların malafa boyları elektrikli aletin miline tam olarak uymalıdır.** Malafa delikleri elektrikli alette monte edildiği donanıma uymayan diskler ve flanşlar dengesiz döner, aşırı titreşim yapar ve kontrolden çıkabilir.
- Hasarlı diskleri kullanmayın.** Her kullanımdan önce, disklerde çentik ve çatlak kontrolü yapın. Eğer elektrikli alet veya disk düşürülürse, hasar muayenesi yapın veya hasarsız bir disk takın. Bir diski muayene ettikten ve taktıktan sonra, kendinizi ve etrafınızdaki kişileri döner diskin düzleminden uzak tutun ve elektrikli aleti bir dakika kadar maksimum yüksüz hızda çalıştırın. Bu test çalıştırması sırasında hasarlı diskler normal olarak parçalanır.
- Kişisel koruyucu donanım kullanın.** Uygulamaya bağlı olarak yüz siperleri veya güvenli gözlükleri kullanın. Uygun görüldüğü şekilde toz maskesi, kulak koruyucuları, eldiven ve küçük aşındırıcı parçaları veya iş parçasından kopan parçaları durdurabilecek iş önlüğü takın. Göz koruyucuları çeşitli işlemlerin üreteceği uçan kırıntıları durdurabilecek nitelikte olmalıdır. Toz maskesi veya solunum cihazı yaptığınız işlemin üreteceği küçük parçacıkları süzebilecek nitelikte olmalıdır. Uzun süre yüksek yoğunlukta gürültüye maruz kalmak işitme kaybına neden olabilir.

- Etrafınızdaki kişilerin iş sahasından güvenli bir uzaklıkta durmasını sağlayın.** İş sahasına giren herkes kişisel koruyucu ekipmanlar giymelidir. Kırılan bir diskin veya iş parçasının kırıkları uzağa fırlayıp, çalışma yerinin ötesinde yaralanmalara neden olabilir.
- Elektrikli aletiniz havalandırma deliklerini düzenli olarak temizleyin.** Motorun fanı tozu gövdenin içine çekebilir ve aşırı toz metal birikimi elektrik tehlikelerine neden olabilir.
- Elektrikli aleti tutuşabilen malzemelerin yakınında kullanmayın.** Elektrikli aleti aışap gibi yanıcı bir maddenin üzerine yerleştirilmiş halde çalıştırmayın. Kıvılcıklar bu malzemeleri tutuşturabilir.
- Sıvı soğutucu gerektiren aksesuarlar kullanmayın.** Su veya diğer sıvı soğutucuların kullanılması elektrik çarpmasına veya şokuna neden olabilir.

Geri tepme ve ilgili uyarılar

Geri tepme döner diskin sıkışmasına veya takılmasına ani bir tepkidir. Sıkışma veya takılma, dönen diskin aniden durmasına, bu da kesici ünitenin kontrol edilemeyerek operatör yönünde yukarı doğru zorlanmasına sebep olur. Örneğin, eğer bir aşındırıcı disk iş parçasına takılır veya sıkışsa, sıkışma noktasına giren diskin kenarı malzeme yüzeyine batarak, diskin dışarı tırmanmasına veya tepmesine neden olabilir. Bu koşullarda aşındırıcı diskler kırılabilir de. Geri tepme elektrikli aletin yanlış kullanılmasının ve/veya yanlış kullanım usulleri veya koşullarının bir sonucudur ve aşağıda belirtildiği gibi doğru önlemlerle önlenilebilir.

- Elektrikli aleti daima sıkıca kavrayın ve vücudunuzun ve kolunuzun duruşunu geri tepme kuvvetlerine direnç gösterecek şekilde ayarlayın.** Doğru önlemler alınır, operatör yukarı doğru geri tepme gücünü kontrol edebilir.
- Vücudunuzun dönen diske aynı hizada tutmayın.** Geri tepme meydana gelirse, kesici ünite operatör yönünde yukarı doğru fırlar.
- Testere zinciri, oyma bıçağı, 10 mm'den fazla periferik boşluklu segmentli elmas disk ya da dişli testere bıçağı takmayın.** Bu bıçaklar sıkça geri tepme ve kontrol kaybı yaratır.
- Diski "sıkıştırmayın" ya da aşırı basınç uygulamayın.** Aşırı derinlikte bir kesme yapmaya çalışmayın. Diskin aşırı zorlanması yükü ve diskin kesik içinde bükülme veya takılma olasılığını artırarak, geri tepmeye veya diskin kırılmasına neden olabilir.
- Disk takıldığı veya herhangi bir nedenle kesmeyi durdurduğu zaman, elektrikli aleti kapatın ve disk tamamen duruncaya kadar kesici üniteyi hareketsiz şekilde tutun.** Disk hareket halindeyken onu kesinlikle kesikten çıkarmaya çalışmayın aksi takdirde geri tepme oluşabilir. Diskin takılma nedenini araştırıp, ortadan kaldırmak için düzeltici işlemleri yapın.
- İş parçasında kesme işlemini yeniden başlatmayın.** Diskin tam hıza ulaşmasını bekleyin ve dikkatli şekilde tekrar kesişe geçirin. Elektrikli alet iş parçası içinde tekrar çalıştırılırsa, disk takılabilir, yukarı tırmanabilir veya geri tepebilir.
- Diskin takılması veya geri tepme riskini en aza indirmek için çok büyük iş parçalarını destekleyin.** Büyük iş parçaları kendi ağırlıkları altında bel veremeye meyillidir. Destekler diskin her iki yanında kesme hattına ve iş parçasının kenarına yakın olarak, iş parçasının altına yerleştirilmelidir.

Ek güvenlik uyarıları

1. Çalışma sırasında sıçrayan kıvılcımlara dikkat edin. Kıvılcıklar, yaralanmalara ya da yanıcı maddelerin tutuşmasına neden olabilir.
2. İş parçasını sabitleyin. Elverişli durumlarda iş parçasını desteklemek için klemp veya menegene kullanın. Bunu yapmak elinizi kullanmaktan daha güvenlidir, çünkü böylece iki eliniz de serbest kalacağından aleti iki elle kullanabilirsiniz.
3. Kesme diskini dikkatlice sabitleyin.
4. Mile, flanşlara (özellikle montaj yüzeyine) ya da civataya hasar vermemeye dikkat edin, aksi takdirde kesme diskinin kendisi kırılabilir.
5. Kapakların yerinde ve çalışır halde olmasını sağlayın.
6. Tutamağı sıkıca tutun.
7. Ellerinizi dönen parçalardan uzak tutun.
8. Alet çalıştırılmadan önce kesme diskinin iş parçasına değmediğinden emin olun.
9. Her kullanımdan önce, hatalı montaj ya da diskin tam dengede olmamasından kaynaklanabilecek sallanma ya da aşırı titreşim olup olmadığına dikkat edin.
10. Kıvılcıkların tutuşturabileceği malzeme ya da talaşları ortadan kaldırın. Kıvılcıkların yakınında başka insanların olmadığından emin olun. Yakınızdaki uygun, dolu bir yangın söndürücü bulundurun.
11. Kesme diski çalışma sırasında durursa, garip sesler çıkarır ya da titremeye başlarsa aleti hemen kapatın.
12. İş parçasını çıkarmadan ya da sabitlemeden önce, mengeneyle çalışmadan önce, çalışma konumunu, açısını ya da kesme diskinin kendisini değiştirmeden önce cihazı daima kapatın ve kesme diskinin tamamen durmasını bekleyin.
13. Çalışma biter bitmez iş parçasına dokunmayın; aşırı sıcaktır ve cildinizi yakabilir.
14. Diskleri sadece kuru bir yerde saklayın.

BU TALİMATLARI MUHAFAZA EDİNİZ.

Batarya kartuşu hakkında önemli güvenlik talimatları

1. Batarya kartuşunu kullanmadan önce, tüm talimatları ve (1) batarya kartuşu, (2) batarya ve (3) ürün üzerindeki tüm uyarı işaretlerini okuyun.
2. Batarya kartuşunu demonte etmeyin.
3. Çalışma süresi aşırı derecede kısalmışsa kullanmayı derhal bırakın. Aşırı ısınma, yanma riski hatta patlamaya neden olabilir.
4. Gözünüze elektrolit kaçarsa, gözlerinizi temiz suyla durulayın ve hemen tıbbi yardım alın. Görme kaybına yol açabilir.
5. Batarya kartuşuna kısa devre yaptırmayın:
 - (1) Terminallere herhangi bir iletken madde değdirmeyin.
 - (2) Batarya kartuşunu çiviler, madeni paralar, vb. gibi başka metal nesnelere aynı kaba koymaktan kaçının.
 - (3) Batarya kartuşunu yağmura ya da suya maruz bırakmayın.Kısa devre, büyük bir akım akışına, aşırı ısınmaya, olası yanıklara hatta bataryanın bozulmasına yol açabilir.

6. Aleti ve batarya kartuşunu sıcaklığın 50°C ya da daha yükseğe ulaştığı yerlerde saklamayın.
7. Aşırı derecede hasar görmüş ya da tamamen kullanılamaz durumda olsa bile batarya kartuşunu yakmayın. Batarya kartuşu ateşe atılırsa patlayabilir.
8. Bataryayı düşürmemeye ve çarpmaya dikkat edin.
9. Hasarlı bataryayı kullanmayın.
10. Aletin içerdiği lityum-iyon bataryalar Tehlikeli Eşyalar Yönetmeliğinin gereksinimlerine tabidir. Ticari nakliye işlemleri için, örneğin üçüncü taraflar, nakliye acenteleri tarafından yapılan nakliyelerde, paketleme ve etiketleme gereksinimlerine uyulmalıdır. Nakliyesi yapılacak ürünün hazırlanması için, tehlikeli maddeler konusunda uzman bir kişiye danışın. Lütfen muhtemelen daha ayrıntılı olan ulusal yönetmeliklere de uyun. Açık kontakları bantlayın ya da maskeleyin ve bataryayı paketin içinde hareket etmeyecek şekilde paketleyin.
11. Bataryanın elden çıkarılması ile ilgili yerel düzenlemelere uyunuz.
12. Bataryaları sadece Makita tarafından belirtilen ürünlerle kullanın. Bataryaların uyumsuz ürünlere takılması; yangın, aşırı ısınma, patlama ya da elektrolit sızıntısına neden olabilir.

BU TALİMATLARI MUHAFAZA EDİNİZ.

⚠DİKKAT: Sadece orijinal Makita bataryalarını kullanın. Orijinal olmayan Makita bataryaları ya da üzerine değişiklik yapılmış bataryaların kullanımı bataryanın patlamasına ve sonuç olarak yangın, kişisel yaralanma ve hasara neden olabilir. Ayrıca Makita aleti ve şarj aletinin Makita tarafından sunulan garantisi de geçersiz olur.

Maksimum batarya ömrü için ipuçları

1. Batarya kartuşunu tamamen boşalmadan önce şarj edin. Aletin gücünün zayıflaması başladığını fark ettiğinizde aleti durdurun ve batarya kartuşunu şarj edin.
2. Tam dolu bir batarya kartuşunu asla yeniden şarj etmeyin. Aşırı şarj etme bataryanın hizmet ömrünü kısaltır.
3. Batarya kartuşunu 10°C - 40°C oda sıcaklığında şarj edin. Sıcak bir batarya kartuşunu şarj etmeden önce soğumasını bekleyin.
4. Uzun bir süre (altı aydan daha fazla) kullanmadığınız durumlarda batarya kartuşunu şarj edin.

KURULUM

⚠UYARI: Bu alet bir iş parçasını keserken kıvılcım üretir. Bu aleti, aletten çıkan kıvılcıklarla tutuşabilecek yanıcı ve/veya patlayıcı malzemelerin olduğu yerlere kurmayın. Ayrıca çalışmaya başlamadan önce aletin yanında böyle bir malzeme olmadığından emin olun.

Tabanın sabitlemesi

Bu alet, aletin tabanındaki civata delikleri kullanılarak, iki civatayla düz ve dengeli bir yüzeye sabitlenmelidir. Bu, devrilmeyi ve olası kişisel yaralanmaları önlemeye yardımcı olur.

► **Şek.1:** 1. Civata delikleri 2. Taban

İŞLEVSEL NİTELİKLER

⚠UYARI: Alet üzerinde ayarlama ya da işleyiş kontrolü yapmadan önce aletin kapalı ve batarya kartuşunun çıkarılmış olduğundan daima emin olun. Aletin kapatılmaması ve batarya kartuşunun çıkarılmaması istemsiz olarak aletin başlatılması sonucu ciddi kişisel yaralanmalara neden olabilir.

Alet kafasının kilidinin açılması/ kilitlenmesi

Alet kafası kilitlenebilir. Kullanımda değilken ya da taşırken, alet kafasını daima kilitleyin.

Kilidi açmak için, alet kafasına hafifçe bastırın ve kilit pimini itin. Kilitlemek için, alet kafasını aşağıda tutarken kilit pimini önceki haline döndürün.

► **Şek.2:** 1. Kilit pimi

Batarya kartuşunun takılması ve çıkarılması

⚠DİKKAT: Batarya kartuşunu takmadan ya da çıkarmadan önce aleti daima kapatın.

⚠DİKKAT: Batarya kartuşunu takarken veya çıkarırken aleti ve batarya kartuşunu sıkıca tutun. Aletin ve batarya kartuşunun sıkıca tutulmaması bunların düşürülmesine sebep olabilir ve alet ve batarya kartuşunun zarar görmesine ya da ciddi yaralanmasına yol açabilir.

► **Şek.3:** 1. Kırmızı gösterge 2. Düğme 3. Batarya kartuşu

Batarya kartuşunu çıkarmak için, kartuşun ön tarafındaki düğmeyi kaydırarak kartuşu aletten çıkarın.

Batarya kartuşunu takmak için, batarya kartuşu üzerindeki dili yuvanın çentiği ile hizalayın ve yerine oturtun. Hafif bir tık sesi duyulana kadar itip yerine tam oturmasını sağlayın. Düğmenin üst tarafındaki kırmızı gösterge görünüyorsa tam yerine kilitlenmemiş demektir.

⚠DİKKAT: Batarya kartuşunu daima kırmızı gösterge görünmeyecek şekilde tam olarak takın. Yerine tam oturmazsa, aletten yanlışlıkla düşebilir, sizin ya da çevrenizdeki kişilerin yaralanmasına neden olabilir.

⚠DİKKAT: Batarya kartuşunu zorlayarak takmayın. Kartuş kolay bir şekilde kaymıyorsa doğru yerleştirilmemiş demektir.

NOT: Alet, tek batarya kartuşu ile çalışmaz.

Alet/batarya koruma sistemi


Bu alet bir alet/batarya koruma sistemi ile donatılmıştır. Bu sistem motora giden gücü otomatik olarak keserek uzun alet ve batarya ömrü sağlar. Alet veya batarya için aşağıdaki durumlardan biri söz konusu olduğunda aletin işleyişi otomatik olarak durur. Bazı durumlarda göstergeler yanar.

Aşırı yük koruması

Alet, anormal derecede yüksek akım çekmesine neden olacak şekilde kullanıldığında, alet otomatik olarak durur. Bu durumda, aleti kapatın ve aletin aşırı yüklenmesine neden olan uygulamayı durdurun. Ardından yeniden başlatmak için aleti çalıştırın.


Aşırı ısınma koruması

Alet aşırı ısındığında otomatik olarak durur ve batarya göstergesi yaklaşık 60 saniye yanıp söner. Bu durumda, yeniden çalıştırmadan önce aletin soğumasını bekleyin.

<input checked="" type="checkbox"/> Açık	<input checked="" type="checkbox"/> Yanıp sönüyor
	

Aşırı deşarj koruması


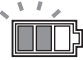
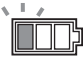

Batarya kapasitesi düştüğünde alet otomatik olarak durur ve biten batarya kartuşunun batarya göstergesi yanıp söner. Anahtarlar kullanıldığında bile ürün çalışmıyorsa biten batarya kartuşunu aletten çıkarıp şarj edin.

<input checked="" type="checkbox"/> Yanıp sönüyor	<input type="checkbox"/> Kapalı
	

Kalan batarya kapasitesinin gösterilmesi

► **Şek.4:** 1. Batarya göstergesi 2. Kontrol düğmesi

Kalan batarya kapasitesini göstermesi için kontrol düğmesine basın. Batarya göstergelerinin her biri bir bataryaya karşılık gelir.

Batarya göstergesi durumu			Kalan pil kapasitesi
<input checked="" type="checkbox"/> Açık	<input type="checkbox"/> Kapalı	<input checked="" type="checkbox"/> Yanıp sönüyor	
			%50 ila %100
			%20 ila %50
			%0 ila %20
			Bataryayı şarj edin

Kalan batarya kapasitesinin gösterilmesi

Sadece göstergeli batarya kartuşları için

► **Şek.5:** 1. Gösterge lambaları 2. Kontrol düğmesi

Kalan batarya kapasitesini göstermesi için batarya kartuşu üzerindeki kontrol düğmesine basın. Gösterge lambaları birkaç saniye yanar.

Gösterge lambaları			Kalan kapasite
Yanıyor	Kapalı	Yanıp sönüyor	
■	□	▣	%75 ila %100
■ ■ ■ ■	□	□	%50 ila %75
■ ■ □ □	□	□	%25 ila %50
■ □ □ □	□	□	%0 ila %25
▣ □ □ □	□	□	Bataryayı şarj edin.
■ ■ □ □	□ □ □ □	□ □	Batarya arızalanmış olabilir.
□ □ ■ ■	□ □	■ ■	

NOT: Kullanım koşullarına ve ortam sıcaklığına bağlı olarak, gösterilen değer gerçek kapasiteden biraz farklılık gösterebilir.

Anahtar işlemi

UYARI: Batarya kartuşunu alete takmadan önce anahtar tetiğinin doğru çalıştığından ve bırakıldığında "OFF" (kapalı) konumuna döndüğünden emin olun.

► **Şek.6:** 1. Güvenlik kilidi düğmesi 2. Anahtar tetik

Anahtar tetiğinin yanlışlıkla çekilmesini önlemek için bir güvenlik kilidi düğmesi sağlanmıştır. Aleti başlatmak için, güvenlik kilidi düğmesine basarın ve anahtar tetiği çekkin. Durdurmak için anahtar tetiği serbest bırakın.

UYARI: Güvenlik kilidi düğmesini ASLA bantlayarak ya da başka bir yöntemle devre dışı bırakmaya çalışmayın. Güvenlik kilidi düğmesi devre dışı bırakılmış bir anahtar, istem dışı çalışmaya ve ciddi kişisel yaralanmalara neden olabilir.

UYARI: Güvenlik kilidi düğmesine basmadan sadece anahtar tetik çekildiğinde çalışan devre dışı ASLA kullanmayın. Tamir edilmesi gereken bir anahtar, istem dışı çalışmaya ve ciddi kişisel yaralanmalara neden olabilir. Daha fazla kullanmadan ÖNCE doğru bir şekilde tamir ettirmek için aleti bir Makita servisine götürün.

ÖNEMLİ NOT: Güvenlik kilidi düğmesine basmadan anahtar tetiği sıkıca çekmeyin. Bu, anahtarın kırılmasına neden olabilir.

Yük durumu göstergesi

Yük durumu göstergesi, kesim işlemi sırasında motor üzerindeki yük seviyesini gösterir. Motor üzerindeki yük arttıkça yanan lamba sayısı artar.

► **Şek.7:** 1. Yük durumu göstergesi

Aşırı yük uyarısı

Motor aşırı yükte çalıştırılırsa, yük durumu göstergesinin tüm lambaları yanıp söner. Bu durumda motor üzerindeki yükü azaltın. Yük durumu göstergesi yanıp sönerken motoru yüklemeye devam ederseniz aşırı yük koruması nedeniyle alet birkaç saniye içinde otomatik olarak durur.

NOT: Aşırı yük birden bire ortaya çıkarsa alet, yük durumu göstergesi yanıp sönmeden otomatik olarak durur.

Mengene ve kılavuz plaka arasındaki aralık

DİKKAT: Mengene ve kılavuz plaka arasındaki aralığı ayarladıktan sonra, kılavuz plakanın düzgün bir şekilde sabitlendiğinden emin olun. Yetersiz sabitleme kişisel yaralanmalara neden olabilir.

Mengene için aşağıdaki aralık ayarları kullanılabilir:

- 0 - 170 mm (orijinal ayar)
- 35 - 205 mm
- 70 - 240 mm

Yaptığınız çalışma farklı bir ayar gerektiriyorsa, boşluğu ya da aralığı değiştirmek için aşağıdaki işlemleri yapın.

Kılavuz plaka üzerindeki vidayı gevşetin. Kılavuz plakayı istenilen konuma taşıyın ve daha sonra vidayı sıkın.

► **Şek.8:** 1. Vida 2. Kılavuz plaka

Kesme açısı ayarı

DİKKAT: Kılavuz plakanın açısını ayarladıktan sonra, kılavuz plakanın düzgün bir şekilde sabitlendiğinden emin olun. Yetersiz sabitleme kişisel yaralanmalara neden olabilir.

DİKKAT: Kesme açısından dolayı, malzeme mengene ile sağlam bir şekilde sabitlenmediğinde aleti kullanmayın.

Kolu saatin aksi yönde çevirin. Kılavuz plakayı istenilen açıya getirin ve kolu tamamen sıkın.

► **Şek.9:** 1. Kılavuz plaka 2. Kol

NOT: Kılavuz plaka üzerindeki ölçek sadece kaba bir göstergedir. Daha doğru bir açı için, bir açı ölçeği ya da üçgen cetvel kullanın. Kesme diskinin tabana doğru uzanması için tutamağı aşağıda tutun. Aynı anda, kılavuz plaka ile kesme diski arasındaki açıyı bir açı ölçeği ya da üçgen cetvelle ölçerek ayarlayın.

Kıvılcıma karşı koruyucunun ayarlanması

Ülkeye özgü

Kıvılcıma karşı koruyucu, alt kenarı tabana temas edecek şekilde fabrikada monte edilmiştir. Alet bu konumda çalıştırılırsa, yoğun kıvılcımlar etrafta uçuşur. Vidayı gevşetin ve kıvılcıma karşı koruyucuyu en az sayıda kıvılcım etrafında uçuşacak konuma getirin.

► **Şek.10:** 1. Vida 2. Kıvılcıma karşı koruyucu

Elektronik fonksiyon

Elektronik fonksiyonlu aletlerin kullanımı aşağıda belirtilen özellik(ler) nedeniyle daha kolaydır.

Yumuşak kalkış özelliği

Bastırılan başlama şoku nedeniyle yumuşak kalkış.

MONTAJ

⚠UYARI: Alet üzerinde çalışmadan önce aletin kapalı ve batarya kartuşunun çıkarılmış olduğundan daima emin olun. Aletin kapatılmaması ve batarya kartuşunun çıkarılmaması ciddi kişisel yaralanmalara neden olabilir.

Orta kapaklı tip emniyet kapağının açılması

Ülkeye özgü

Orta kapaklı tip emniyet kapağıyla donatılmış aletler için, önce sıkıştırma vidasını gevşetin, sonra kapağı kaldırın.

► **Şek.11:** 1. Sıkıştırma vidası

Avrupa tipi emniyet kapağının açılması

Ülkeye özgü

Avrupa tipi emniyet kapağıyla donatılmış aletler için, önce sıkıştırma vidasını gevşetin, sonra gösterildiği gibi kapağı açın.

► **Şek.12:** 1. Sıkıştırma vidası

► **Şek.13**

► **Şek.14**

Kesme diskinin çıkarılması veya takılması

⚠DİKKAT: Aletsiz kelepçenin iyice sıkılmış olduğundan emin olun. Yetersiz sıkılama ciddi yaralanmalara neden olabilir.

⚠DİKKAT: Daima sadece bu aletle birlikte temin edilen uygun iç ve dış flanşları kullanın.

⚠DİKKAT: Kesme diskini yerine yerleştirdikten sonra emniyet kapağını daima alçaltın.

⚠DİKKAT: Diskler üzerinde işlem yaparken eldiven kullanın.

Emniyet kapağını kaldırın. Şaft kilidini aşağıda tutarak aletsiz kelepçeyi saatin aksi yönde çevirin. Ardından, aletsiz kelepçeyi, dış flanş ve kesme diskini çıkarın. Kesme diskini çıkarırken iç flanş, bileziği ve O-halkayı sökmeyin.

► **Şek.15:** 1. Şaft kilidi 2. Aletsiz kelepçe

► **Şek.16:** 1. İç flanş 2. Bilezik 3. O-halka 4. Kesme diski 5. Dış flanş 6. Aletsiz kelepçe

Kesme diskini takmak için, sökme işlemini tersinden uygulayın. Kesme diskinin deliğinin bileziğe oturduğundan emin olun ve emniyet kapağını geri takın.

KULLANIM


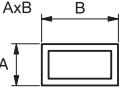
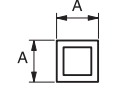

⚠DİKKAT: Kesme işlemi sırasında tutamağa uygulanacak olan uygun baskı ve maksimum kesme verimi, kesme sırasında meydana gelen kıvılcım miktarına bakarak belirlenebilir. Tutamak üzerine aşırı baskı uygulayarak kesimi zorlamayın. Kesme veriminde düşüş, diskte erken aşınma ve ayrıca alette, kesme diskinde ya da iş parçasında olası bir hasar meydana gelebilir.

Tutamağı sıkıca tutun. Aleti çalıştırın, kesimin içine yavaşça indirmeden önce kesme diskinin tam hıza ulaşmasını bekleyin. Kesme diski iş parçasına temas edince, kesme işlemini gerçekleştirmek için tutamağın üzerine kademeli olarak bastırın. Kesme işlemi tamamlandığında, aleti kapatın ve tutamağı tam yukarı konuma geri getirmeden önce kesme diski tamamen durana kadar bekleyin.

Kesme kapasitesi

Maksimum kesme kapasitesi, kesme açısına ve iş parçasının şekline bağlı olarak değişir.

İlk kez kullanılacak yeni bir kesme diskinin maksimum kesme kapasitesi

Kesme açısı / İş parçasının şekli	90°	45°
	ø127 mm	ø127 mm
	115 x 130 mm 102 x 194 mm 70 x 233 mm	115 x 103 mm
	119 x 119 mm	106 x 106 mm
	137 x 137 mm	100 x 100 mm

NOT: Bu aletle kesim için 1,6 mm'den daha ince bir iş parçası önerilir.

İş parçasının sabitlenmesi

⚠DİKKAT: İş parçasını sabitlerken dış tutucuyu daima şaft dişlerinin üzerine yerleştirin. Bunun yapılmaması, iş parçasının yeterince sabitlenmemesine neden olabilir. Bu da iş parçasının fırlayıp atılmasına ya da kesme diskinin tehlikeli şekilde kırılmasına sebep olabilir.

Diş tutucu kalkık durumdayken, mengene plakası hızlı bir şekilde içeri ve dışarı hareket ettirilebilir. Bir iş parçasını tutmak için, mengene plakası iş parçasıyla temas edene kadar tutamağı itin, ardından diş tutucuyu geri yerleştirin. İş parçası sıkı bir şekilde tutulana kadar tutamağı saat yönünde döndürün.

► **Şek.17:** 1. Tutamak 2. Diş tutucu 3. Mengene plakası

Kesme diski büyük ölçüde aşındığı zaman, iş parçasının arkasına resimde gösterildiği gibi bir ara blok yerleştirin. İş parçasını kesmek için disk çevresinin orta noktasını kullanarak, aşınmış diski daha verimli kullanabilirsiniz. Ara blok olarak sağlam ve yanmaz bir malzeme kullanın.

► **Şek.18:** 1. Ara blok

85 mm'den daha geniş parçaları belli bir açıda keserken, 190 mm uzunluk ve 40 mm genişliğin üzerinde ahşap ve düz bir parçayı (ara parça) şekilde görüldüğü gibi kılavuz plakaya takın. Bu ara parçayı, vidaları kullanarak kılavuz plakadaki deliklere tespit edin. Alet kafasına bastırırken kesme diskinin ara parçaya temas etmediğinden emin olun.

► **Şek.19:** 1. Kılavuz plaka 2. Ara blok (190 mm uzunluk ve 40 mm genişliğin üzerinde)
3. İş parçası (85 mm genişliğin üzerinde)
4. Mengene plakası

ÖNEMLİ NOT: Bir ara blok kullanırken kılavuz plakayı, alet kafasının boynuna en yakın konuma takın.

► **Şek.20**

Kesme diski aşındığı zaman, iş parçasının arkasına resimde gösterildiği gibi iş parçasından biraz daha dar bir ara blok yerleştirerek kesme konumunu yükseltin. Bu, kesme diskinin tasarruflu bir şekilde kullanmanıza yardımcı olur.

► **Şek.21:** 1. Mengene plakası 2. İş parçasının çapı
3. Kılavuz plaka 4. Ara bloğun genişliği

Uzun iş parçalarının tabanın üstüyle hizalı olması için, her iki tarafından bloklarla desteklenmesi gerekir. Destekleyici blok olarak yanmaz malzeme kullanın.

► **Şek.22:** 1. Destekleyici blok

Aletin taşınması

Taşımadan önce bataryaları çıkarın, alet kafasını aşağı doğru katlayın ve ardından kilitleyin. Taşıırken tutamaktan tutun.

► **Şek.23**

BAKIM

⚠DİKKAT: Muayene ya da bakım yapmadan önce aletin kapalı ve batarya kartuşunun çıkartılmış olduğundan daima emin olun.

ÖNEMLİ NOT: Benzin, tiner, alkol ve benzeri maddeleri kesinlikle kullanmayın. Renk değişimi, deformasyon veya çatlaklar oluşabilir.

Alet EMNİYETLİ ve ÇALIŞMAYA HAZIR durumda tutmak için onarımlar, başka her türlü bakım ve ayarlamalar daima Makita yedek parçaları kullanılarak Makita yetkili servis merkezleri veya Fabrikanın Servis Merkezleri tarafından yapılmalıdır.

İSTEĞE BAĞLI AKSESUARLAR

⚠DİKKAT: Bu aksesuarlar ve ek parçalar bu el kitabında belirtilen Makita aletiniz ile kullanılmak için tavsiye edilmektedir. Herhangi başka bir aksesuar ya da ek parça kullanılması insanlar için bir yaralanma riski getirebilir. Aksesuarları ya da ek parçaları yalnızca belirtilmiş olan kullanım amaçlarına uygun olarak kullanın.

Bu aksesuarlarla ilgili daha fazla bilgiye ihtiyaç duyar sansız bulunduğunuz yerdeki yetkili Makita servisine başvurun.

- Aşındırıcı kesme diskleri
- Orijinal Makita batarya ve şarj aleti

NOT: Listedeki parçaların bazıları alet paketi içerisinde standart aksesuar olarak dahil edilmiş olabilir. Bunlar ülkeden ülkeye farklılık gösterebilir.

Makita Europe N.V. Jan-Baptist Vinkstraat 2,
3070 Kortenberg, Belgium

Makita Corporation 3-11-8, Sumiyoshi-cho,
Anjo, Aichi 446-8502 Japan

www.makita.com

885648-994
EN, FR, DE, IT, NL,
ES, PT, DA, EL, TR
20180523