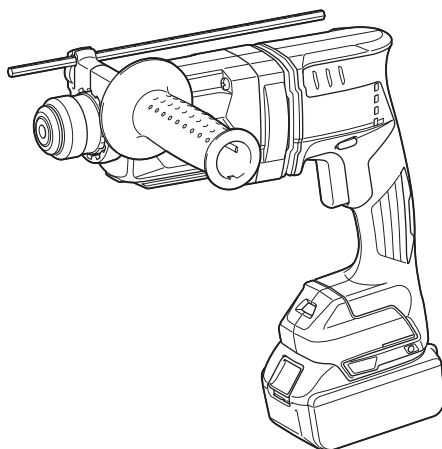




EN	Cordless Combination Hammer	INSTRUCTION MANUAL	11
FR	Marteau Combiné sans Fil	MANUEL D'INSTRUCTIONS	24
DE	Akku-Kombi-Bohrhammer	BETRIEBSANLEITUNG	38
IT	Tassellatore combinato a batteria	ISTRUZIONI PER L'USO	54
NL	Accucombihamer	GEBRUIKSAANWIJZING	70
ES	Martillo Rotativo Combinado Inalámbrico	MANUAL DE INSTRUCCIONES	85
PT	Martelete Combinado A Bateria	MANUAL DE INSTRUÇÕES	100
DA	Akku-kombinationshammer	BRUGSANVISNING	115
EL	Φορητό δράπανο συνδυασμού	ΕΓΧΕΙΡΙΔΙΟ ΟΔΗΓΙΩΝ	128
TR	Kablosuz Kombine Darbeli Matkap	KULLANMA KILAVUZU	144

DHR182



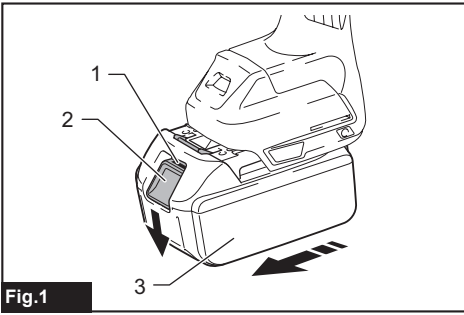


Fig.1

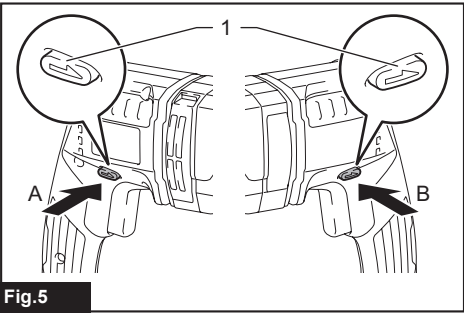


Fig.5



Fig.2

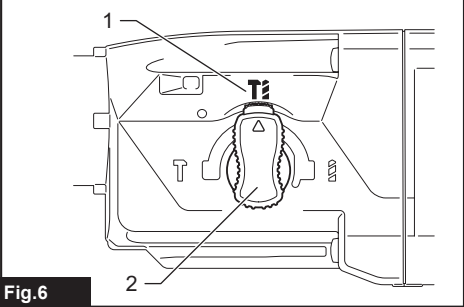


Fig.6

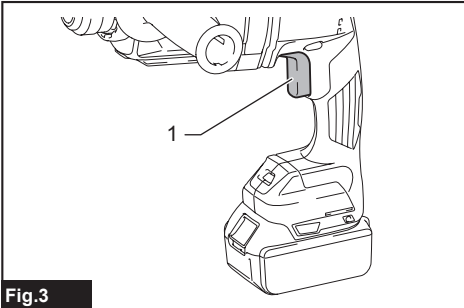


Fig.3

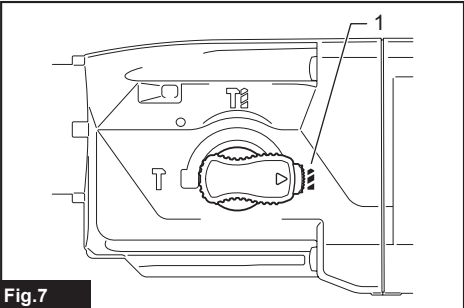


Fig.7

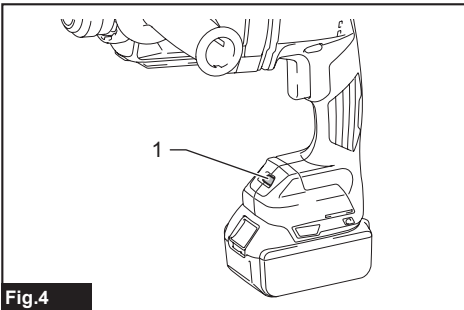


Fig.4

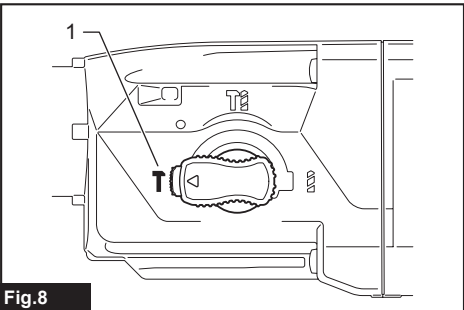
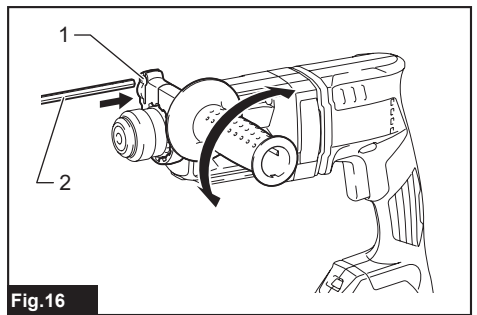
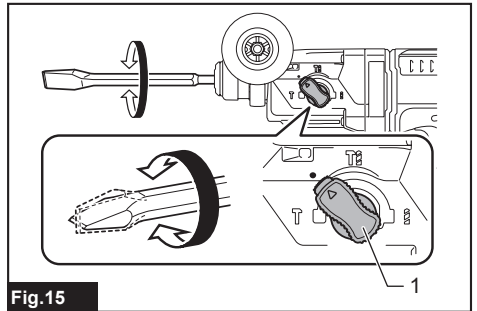
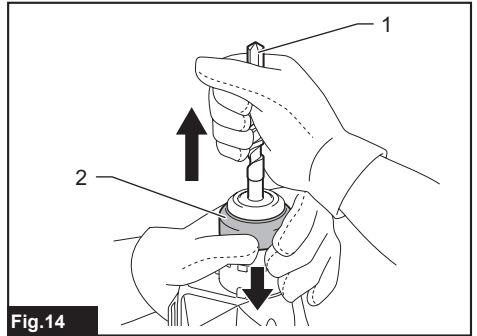
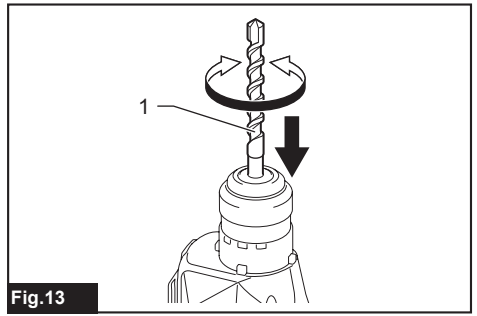
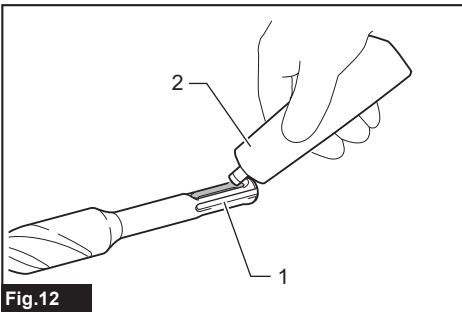
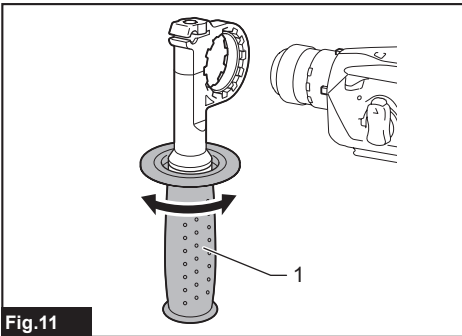
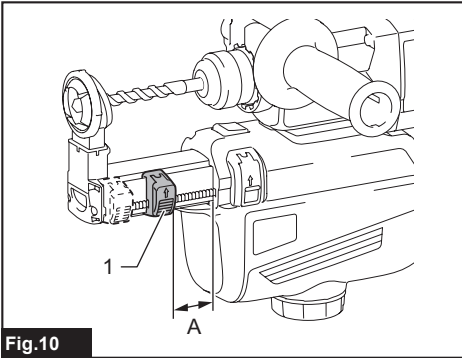
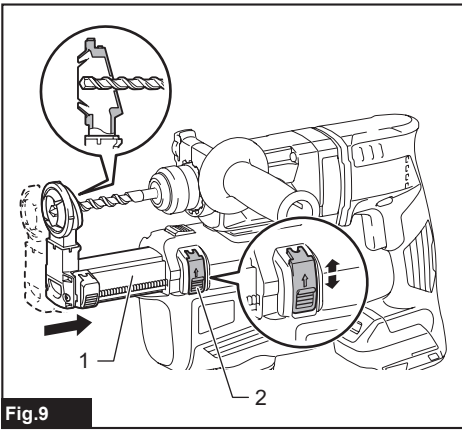


Fig.8



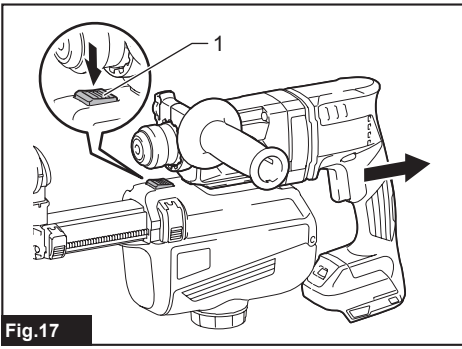


Fig.17

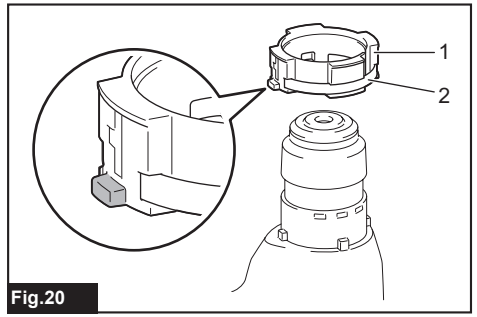


Fig.20

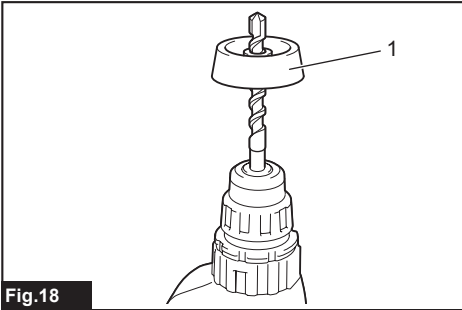


Fig.18

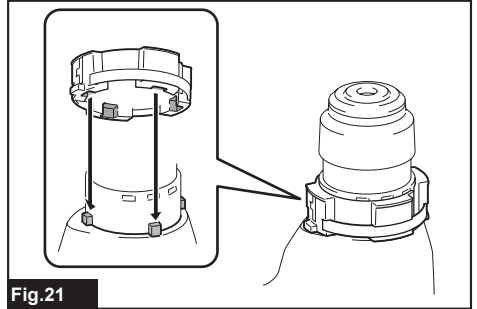


Fig.21

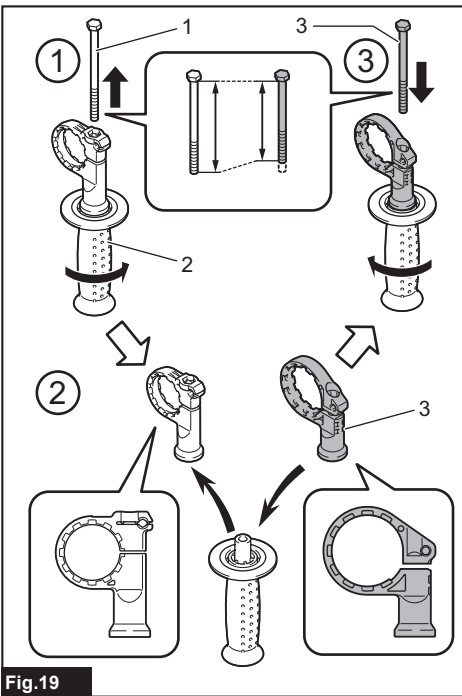


Fig.19

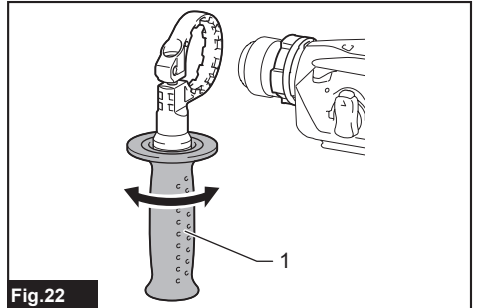
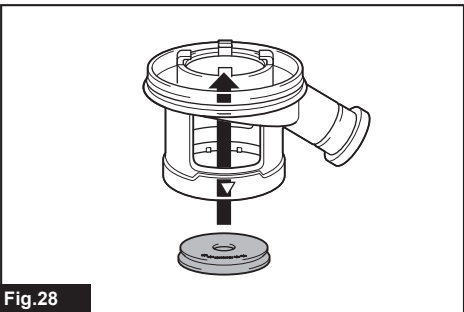
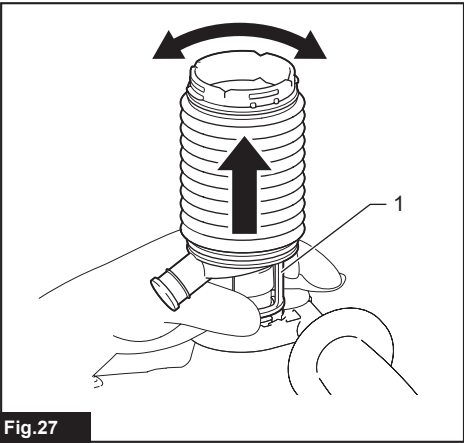
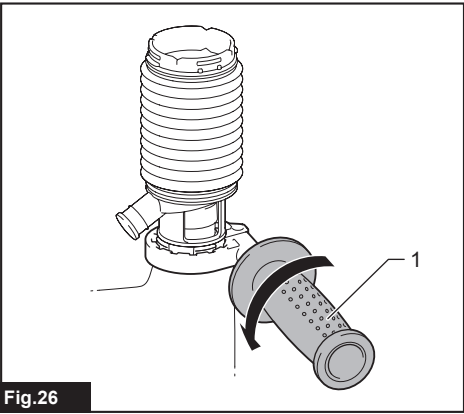
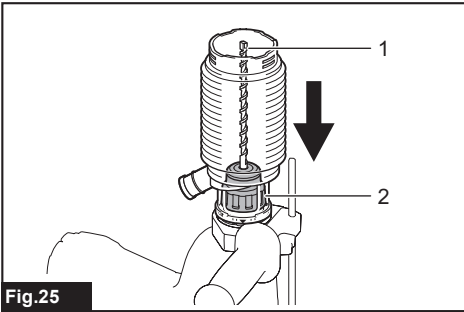
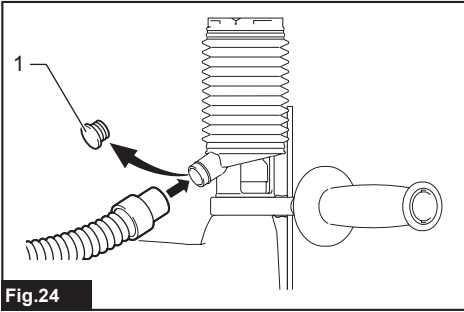
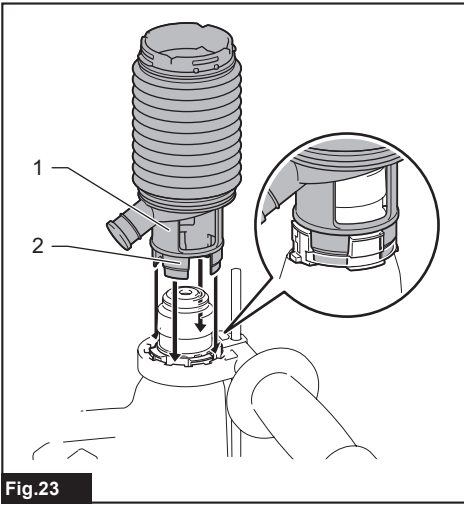


Fig.22



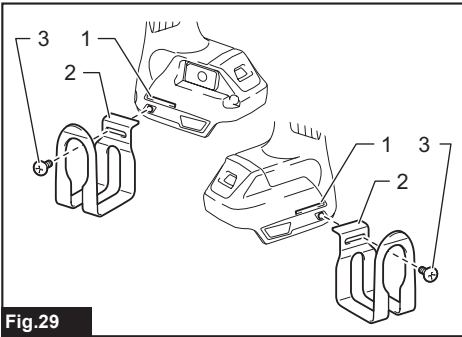


Fig.29

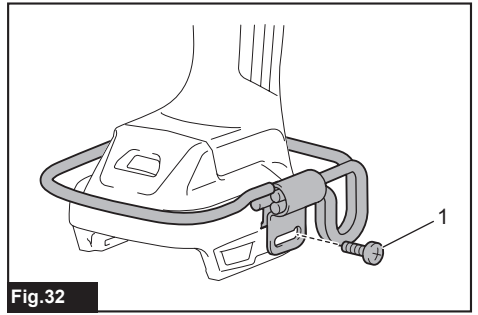


Fig.32

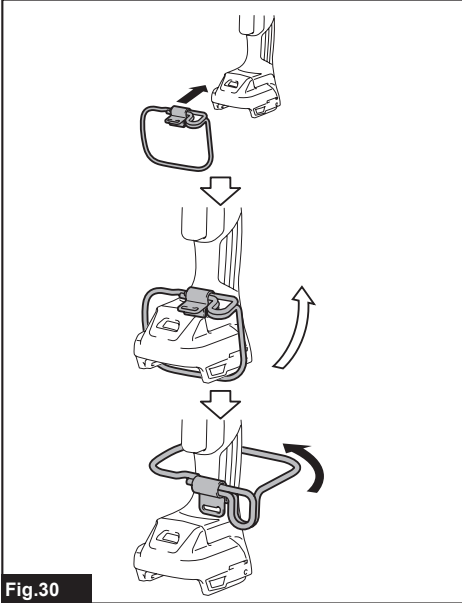


Fig.30

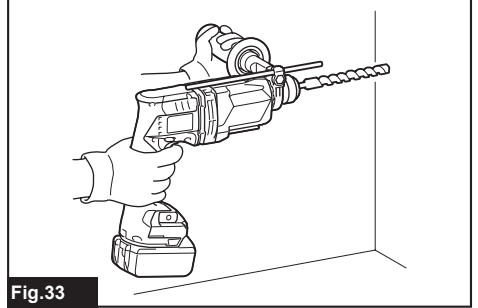


Fig.33

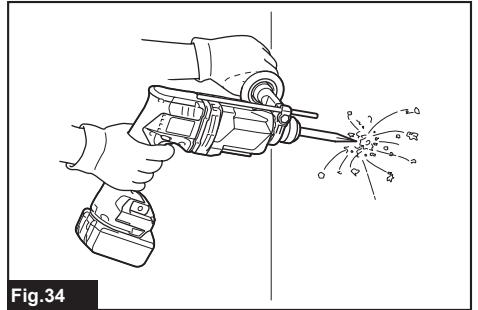


Fig.34

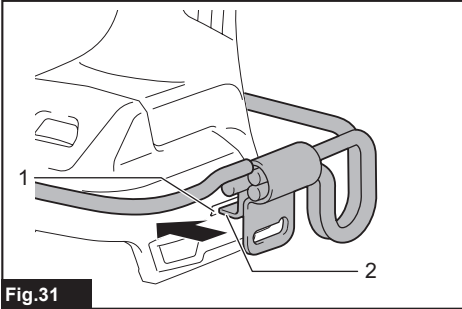


Fig.31

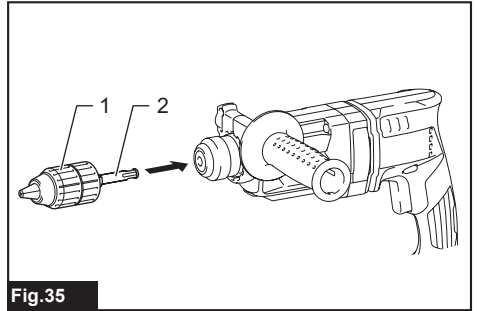


Fig.35

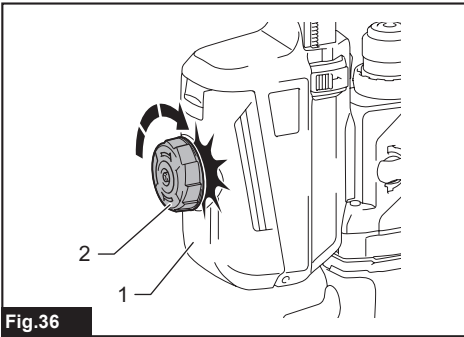


Fig.36

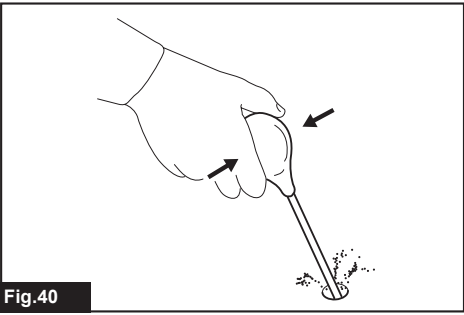


Fig.40

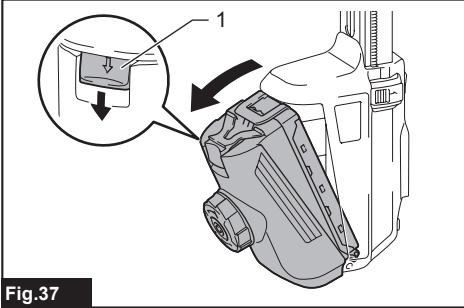


Fig.37

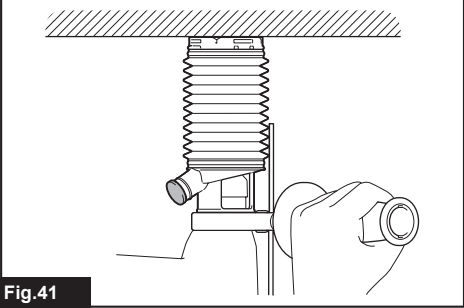


Fig.41

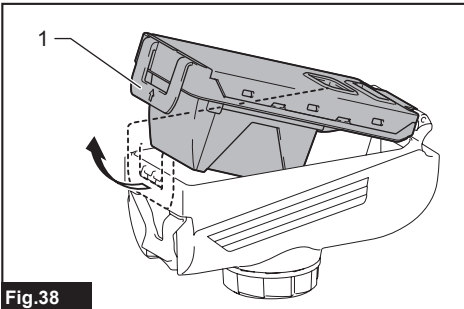


Fig.38

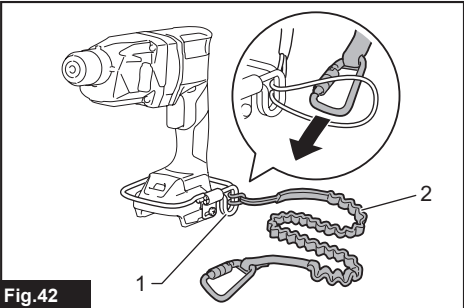


Fig.42

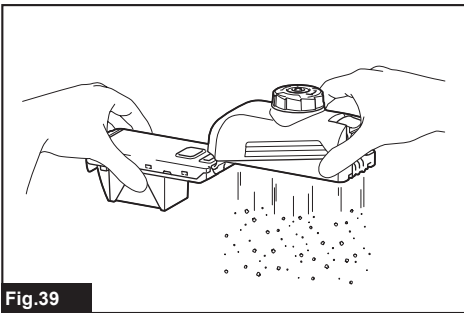


Fig.39

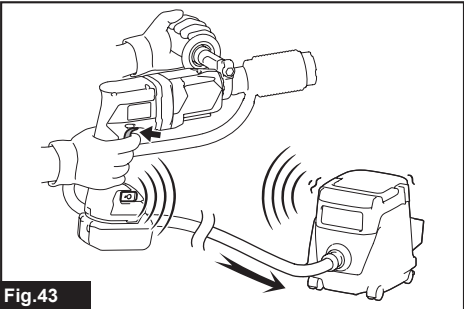


Fig.43

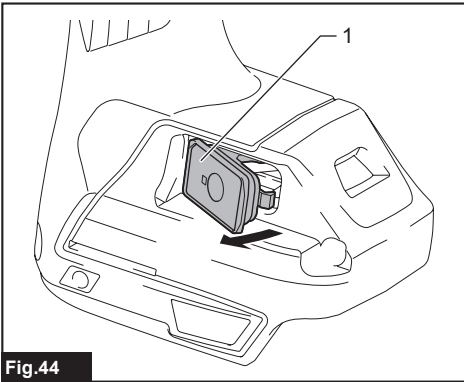


Fig.44

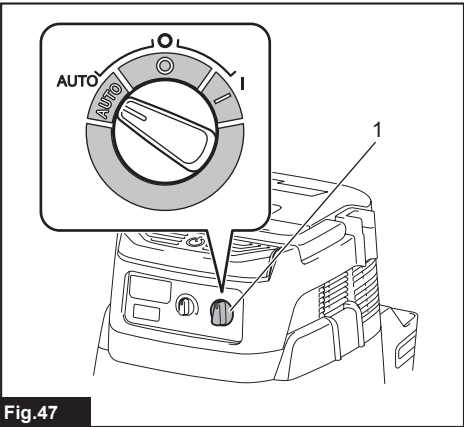


Fig.47

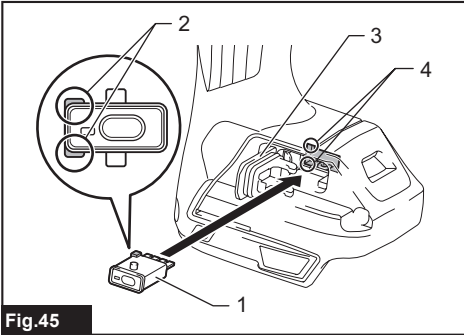


Fig.45

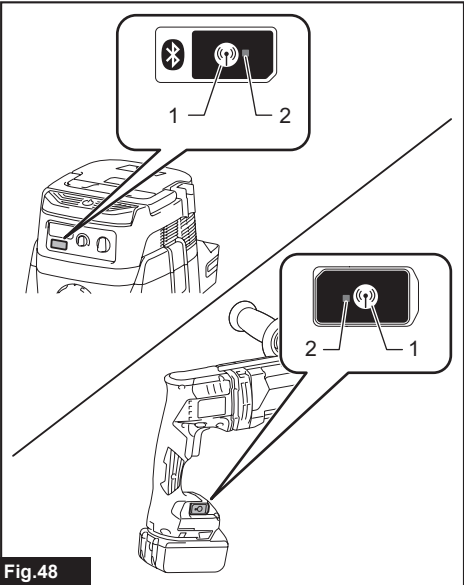


Fig.48

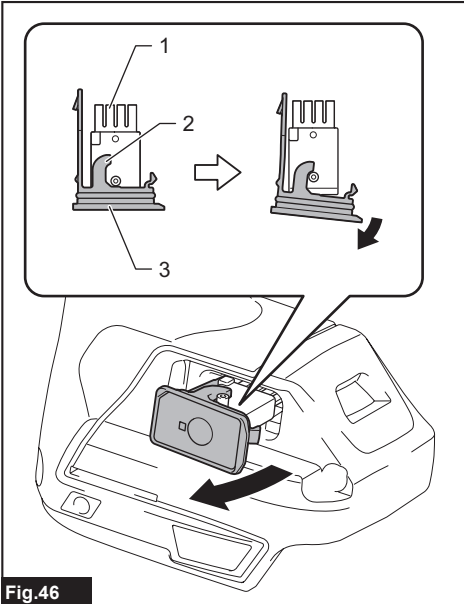


Fig.46

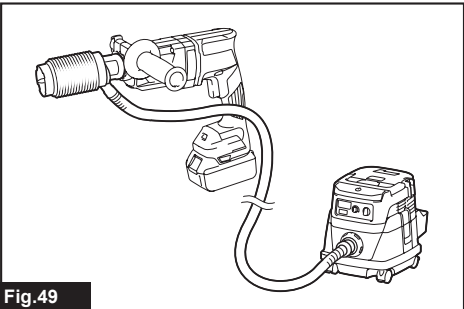
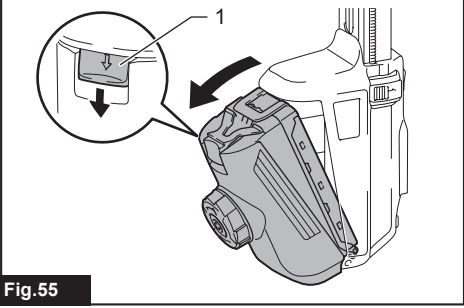
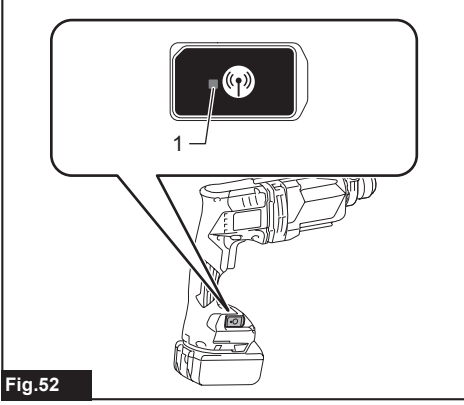
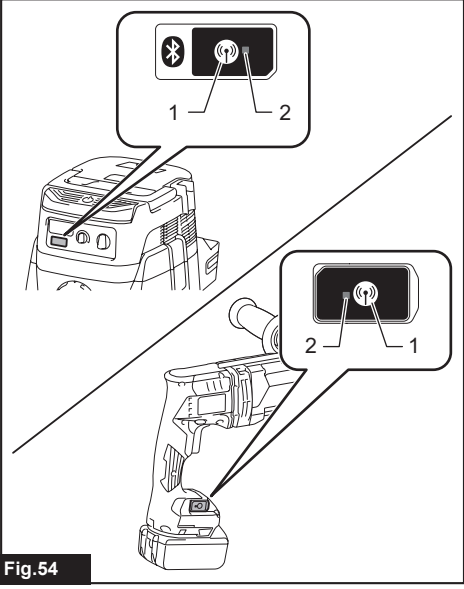
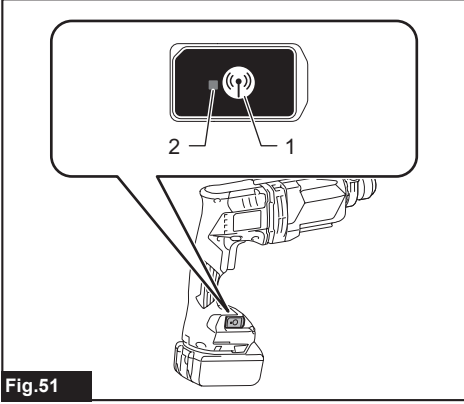
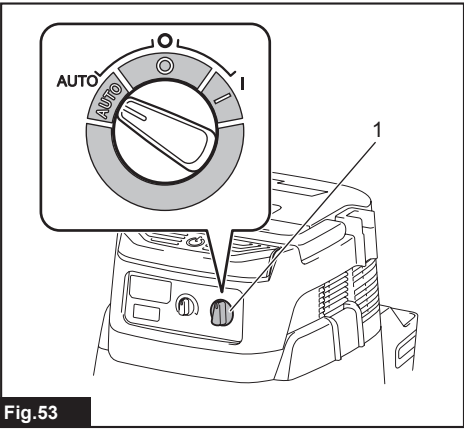
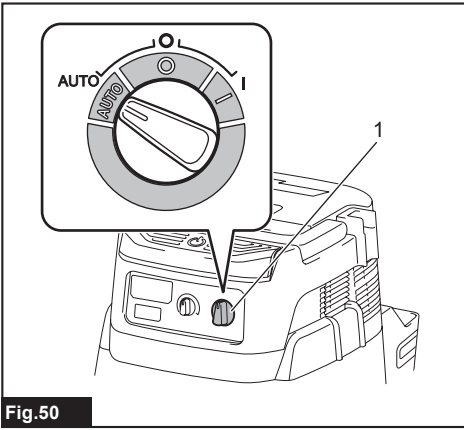
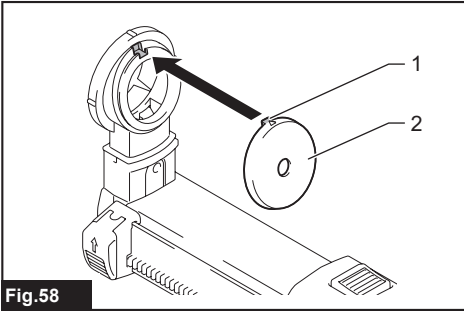
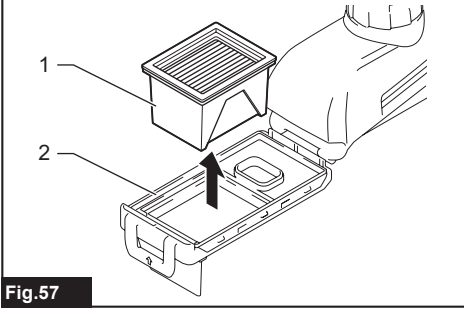
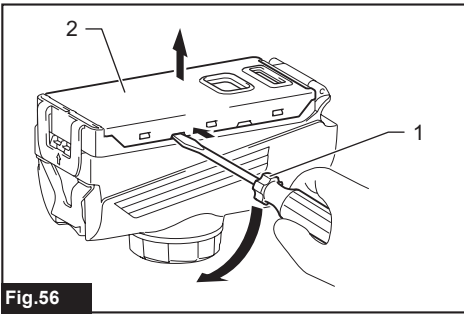


Fig.49





SPECIFICATIONS

Model:		DHR182
Capacities	Concrete	18 mm
	Core bit	35 mm
	Diamond core bit (dry type)	32 mm
	Steel	13 mm
	Wood	24 mm
No load speed		0 - 1,350 min ⁻¹
Blows per minute		0 - 5,000 min ⁻¹
Overall length		301 mm
Rated voltage		D.C. 18 V
Net weight		2.4 - 3.2 kg

Optional accessory

Model:		DX05
Suction performance		250 l/min
Operating stroke		Up to 90 mm
Suitable drill bit		Up to 160 mm
Net weight		0.9 kg

- Due to our continuing program of research and development, the specifications herein are subject to change without notice.
- Specifications and battery cartridge may differ from country to country.
- The weight may differ depending on the attachment(s), including the battery cartridge. The lightest and heaviest combinations, according to EPTA-Procedure 01/2014, are shown in the table.

Applicable battery cartridge

BL1815N / BL1820 / BL1820B / BL1830 / BL1830B / BL1840 / BL1840B / BL1850 / BL1850B / BL1860B

- Some of the battery cartridges listed above may not be available depending on your region of residence.

⚠ WARNING: Only use the battery cartridges listed above. Use of any other battery cartridges may cause injury and/or fire.

Intended use

The tool is intended for hammer drilling and drilling in brick, concrete and stone as well as for chiselling work. It is also suitable for drilling without impact in wood, metal, ceramic and plastic.

Noise

The typical A-weighted noise level determined according to EN60745-2-6:

Model DHR182

Sound pressure level (L_{pA}) : 89 dB(A)

Sound power level (L_{WA}) : 100 dB (A)

Uncertainty (K) : 3 dB(A)

Model DHR182 with DX05

Sound pressure level (L_{pA}) : 90 dB(A)

Sound power level (L_{WA}) : 101 dB (A)

Uncertainty (K) : 3 dB(A)

NOTE: The declared noise emission value(s) has been measured in accordance with a standard test method and may be used for comparing one tool with another.

NOTE: The declared noise emission value(s) may also be used in a preliminary assessment of exposure.

⚠ WARNING: Wear ear protection.

⚠ WARNING: The noise emission during actual use of the power tool can differ from the declared value(s) depending on the ways in which the tool is used especially what kind of workpiece is processed.

⚠ WARNING: Be sure to identify safety measures to protect the operator that are based on an estimation of exposure in the actual conditions of use (taking account of all parts of the operating cycle such as the times when the tool is switched off and when it is running idle in addition to the trigger time).

Vibration

The following table shows the vibration total value (tri-axial vector sum) determined according to applicable standard.

Work mode	Vibration emission	Uncertainty (K)	Applicable standard
Hammer drilling into concrete ($a_{h,HD}$)	11.0 m/s ²	1.5 m/s ²	EN60745-2-6
Hammer drilling into concrete with DX05 ($a_{h,HD}$)	11.0 m/s ²	1.5 m/s ²	EN60745-2-6
Chiselling function with side grip ($a_{h,CHRR}$)	9.0 m/s ²	1.5 m/s ²	EN60745-2-6
Drilling into metal ($a_{h,D}$)	2.5 m/s ²	1.5 m/s ²	EN60745-2-1

NOTE: The declared vibration total value(s) has been measured in accordance with a standard test method and may be used for comparing one tool with another.

NOTE: The declared vibration total value(s) may also be used in a preliminary assessment of exposure.

⚠ WARNING: The vibration emission during actual use of the power tool can differ from the declared value(s) depending on the ways in which the tool is used especially what kind of workpiece is processed.

⚠ WARNING: Be sure to identify safety measures to protect the operator that are based on an estimation of exposure in the actual conditions of use (taking account of all parts of the operating cycle such as the times when the tool is switched off and when it is running idle in addition to the trigger time).

EC Declaration of Conformity

For European countries only

The EC declaration of conformity is included as Annex A to this instruction manual.

SAFETY WARNINGS

General power tool safety warnings

⚠ WARNING: Read all safety warnings, instructions, illustrations and specifications provided with this power tool. Failure to follow all instructions listed below may result in electric shock, fire and/or serious injury.

Save all warnings and instructions for future reference.

The term "power tool" in the warnings refers to your mains-operated (corded) power tool or battery-operated (cordless) power tool.

CORDLESS ROTARY HAMMER SAFETY WARNINGS

1. **Wear ear protectors.** Exposure to noise can cause hearing loss.
2. **Use auxiliary handle(s), if supplied with the tool.** Loss of control can cause personal injury.
3. **Hold power tool by insulated gripping surfaces, when performing an operation where the cutting accessory may contact hidden wiring.** Cutting accessory contacting a "live" wire may make exposed metal parts of the power tool "live" and could give the operator an electric shock.
4. **Wear a hard hat (safety helmet), safety glasses and/or face shield.** Ordinary eye or sun glasses are NOT safety glasses. It is also highly recommended that you wear a dust mask and thickly padded gloves.

5. **Be sure the bit is secured in place before operation.**
6. **Under normal operation, the tool is designed to produce vibration. The screws can come loose easily, causing a breakdown or accident. Check tightness of screws carefully before operation.**
7. **In cold weather or when the tool has not been used for a long time, let the tool warm up for a while by operating it under no load. This will loosen up the lubrication. Without proper warm-up, hammering operation is difficult.**
8. **Always be sure you have a firm footing. Be sure no one is below when using the tool in high locations.**
9. **Hold the tool firmly with both hands.**
10. **Keep hands away from moving parts.**
11. **Do not leave the tool running. Operate the tool only when hand-held.**
12. **Do not point the tool at any one in the area when operating. The bit could fly out and injure someone seriously.**
13. **Do not touch the bit, parts close to the bit, or workpiece immediately after operation; they may be extremely hot and could burn your skin.**
14. **Some material contains chemicals which may be toxic. Take caution to prevent dust inhalation and skin contact. Follow material supplier safety data.**
15. **Always be sure that the tool is switched off and the battery cartridge and the bit are removed before handing the tool to other person.**

SAVE THESE INSTRUCTIONS.

⚠ WARNING: DO NOT let comfort or familiarity with product (gained from repeated use) replace strict adherence to safety rules for the subject product. MISUSE or failure to follow the safety rules stated in this instruction manual may cause serious personal injury.

Important safety instructions for battery cartridge

1. Before using battery cartridge, read all instructions and cautionary markings on (1) battery charger, (2) battery, and (3) product using battery.
2. Do not disassemble battery cartridge.
3. If operating time has become excessively shorter, stop operating immediately. It may result in a risk of overheating, possible burns and even an explosion.
4. If electrolyte gets into your eyes, rinse them out with clear water and seek medical attention right away. It may result in loss of your eyesight.
5. Do not short the battery cartridge:
 - (1) Do not touch the terminals with any conductive material.
 - (2) Avoid storing battery cartridge in a container with other metal objects such as nails, coins, etc.
 - (3) Do not expose battery cartridge to water or rain. A battery short can cause a large current flow, overheating, possible burns and even a breakdown.
6. Do not store the tool and battery cartridge in locations where the temperature may reach or exceed 50 °C (122 °F).
7. Do not incinerate the battery cartridge even if it is severely damaged or is completely worn out. The battery cartridge can explode in a fire.
8. Be careful not to drop or strike battery.
9. Do not use a damaged battery.
10. The contained lithium-ion batteries are subject to the Dangerous Goods Legislation requirements. For commercial transports e.g. by third parties, forwarding agents, special requirement on packaging and labeling must be observed. For preparation of the item being shipped, consulting an expert for hazardous material is required. Please also observe possibly more detailed national regulations. Tape or mask off open contacts and pack up the battery in such a manner that it cannot move around in the packaging.
11. Follow your local regulations relating to disposal of battery.
12. Use the batteries only with the products specified by Makita. Installing the batteries to non-compliant products may result in a fire, excessive heat, explosion, or leak of electrolyte.

SAVE THESE INSTRUCTIONS.

⚠ CAUTION: Only use genuine Makita batteries. Use of non-genuine Makita batteries, or batteries that have been altered, may result in the battery bursting causing fires, personal injury and damage. It will also void the Makita warranty for the Makita tool and charger.

Tips for maintaining maximum battery life

1. Charge the battery cartridge before completely discharged. Always stop tool operation and charge the battery cartridge when you notice less tool power.
2. Never recharge a fully charged battery cartridge. Overcharging shortens the battery service life.
3. Charge the battery cartridge with room temperature at 10 °C - 40 °C (50 °F - 104 °F). Let a hot battery cartridge cool down before charging it.

4. Charge the battery cartridge if you do not use it for a long period (more than six months).

Important safety instructions for wireless unit

1. Do not disassemble or tamper with the wireless unit.
2. Keep the wireless unit away from young children. If accidentally swallowed, seek medical attention immediately.
3. Use the wireless unit only with Makita tools.
4. Do not expose the wireless unit to rain or wet conditions.
5. Do not use the wireless unit in places where the temperature exceeds 50°C (122°F).
6. Do not operate the wireless unit in places where medical instruments, such as heart pace makers are nearby.
7. Do not operate the wireless unit in places where automated devices are nearby. If operated, automated devices may develop malfunction or error.
8. Do not operate the wireless unit in places under high temperature or places where static electricity or electrical noise could be generated.
9. The wireless unit can produce electromagnetic fields (EMF) but they are not harmful to the user.
10. The wireless unit is an accurate instrument. Be careful not to drop or strike the wireless unit.
11. Avoid touching the terminal of the wireless unit with bare hands or metallic materials.
12. Always remove the battery on the product when installing the wireless unit into it.
13. When opening the lid of the slot, avoid the place where dust and water may come into the slot. Always keep the inlet of the slot clean.
14. Always insert the wireless unit in the correct direction.
15. Do not press the wireless activation button on the wireless unit too hard and/or press the button with an object with a sharp edge.
16. Always close the lid of the slot when operating.
17. Do not remove the wireless unit from the slot while the power is being supplied to the tool. Doing so may cause a malfunction of the wireless unit.
18. Do not remove the sticker on the wireless unit.
19. Do not put any sticker on the wireless unit.
20. Do not leave the wireless unit in a place where static electricity or electrical noise could be generated.
21. Do not leave the wireless unit in a place subject to high heat, such as a car sitting in the sun.
22. Do not leave the wireless unit in a dusty or powdery place or in a place corrosive gas could be generated.
23. Sudden change of the temperature may bedew the wireless unit. Do not use the wireless unit until the dew is completely dried.
24. When cleaning the wireless unit, gently wipe with a dry soft cloth. Do not use benzine, thinner, conductive grease or the like.
25. When storing the wireless unit, keep it in the supplied case or a static-free container.
26. Do not insert any devices other than Makita wireless unit into the slot on the tool.

27. **Do not use the tool with the lid of the slot damaged.** Water, dust, and dirt come into the slot may cause malfunction.
28. **Do not pull and/or twist the lid of the slot more than necessary.** Restore the lid if it comes off from the tool.
29. **Replace the lid of the slot if it is lost or damaged.**

SAVE THESE INSTRUCTIONS.

FUNCTIONAL DESCRIPTION

CAUTION: Always be sure that the tool is switched off and the battery cartridge is removed before adjusting or checking function on the tool.

Installing or removing battery cartridge

CAUTION: Always switch off the tool before installing or removing of the battery cartridge.

CAUTION: Hold the tool and the battery cartridge firmly when installing or removing battery cartridge. Failure to hold the tool and the battery cartridge firmly may cause them to slip off your hands and result in damage to the tool and battery cartridge and a personal injury.

► **Fig.1:** 1. Red indicator 2. Button 3. Battery cartridge

To remove the battery cartridge, slide it from the tool while sliding the button on the front of the cartridge.

To install the battery cartridge, align the tongue on the battery cartridge with the groove in the housing and slip it into place. Insert it all the way until it locks in place with a little click. If you can see the red indicator on the upper side of the button, it is not locked completely.

CAUTION: Always install the battery cartridge fully until the red indicator cannot be seen. If not, it may accidentally fall out of the tool, causing injury to you or someone around you.

CAUTION: Do not install the battery cartridge forcibly. If the cartridge does not slide in easily, it is not being inserted correctly.

Indicating the remaining battery capacity

Only for battery cartridges with the indicator

► **Fig.2:** 1. Indicator lamps 2. Check button

Press the check button on the battery cartridge to indicate the remaining battery capacity. The indicator lamps light up for a few seconds.

Indicator lamps			Remaining capacity
Lighted	Off	Blinking	
■ ■ ■ ■			75% to 100%
■ ■ ■ □			50% to 75%
■ ■ □ □			25% to 50%
■ □ □ □			0% to 25%
▣ □ □ □			Charge the battery.
■ ■ □ □			The battery may have malfunctioned.
□ □ ■ ■			

NOTE: Depending on the conditions of use and the ambient temperature, the indication may differ slightly from the actual capacity.

Tool / battery protection system

The tool is equipped with a tool/battery protection system. This system automatically cuts off power to the motor to extend tool and battery life. The tool will automatically stop during operation if the tool or battery is placed under one of the following conditions:

Overload protection

When the battery is operated in a manner that causes it to draw an abnormally high current, the tool automatically stops without any indication. In this situation, turn the tool off and stop the application that caused the tool to become overloaded. Then turn the tool on to restart.

Overheat protection

When the tool or battery is overheated, the tool stops automatically. In this case, let the tool and battery cool before turning the tool on again.

NOTE: When the tool is overheated, the lamp blinks.

Overdischarge protection

When the battery capacity is not enough, the tool stops automatically. In this case, remove the battery from the tool and charge the battery.

Switch action

⚠ WARNING: Before installing the battery cartridge into the tool, always check to see that the switch trigger actuates properly and returns to the "OFF" position when released.

► Fig.3: 1. Switch trigger

To start the tool, simply pull the switch trigger. Tool speed is increased by increasing pressure on the switch trigger. Release the switch trigger to stop.

Lighting up the front lamp

► Fig.4: 1. Lamp

⚠ CAUTION: Do not look in the light or see the source of light directly.

Pull the switch trigger to light up the lamp. The lamp keeps on lighting while the switch trigger is being pulled. The lamp goes out approximately 10 seconds after releasing the switch trigger.

NOTE: Use a dry cloth to wipe the dirt off the lens of the lamp. Be careful not to scratch the lens of lamp, or it may lower the illumination.

Reversing switch action

► Fig.5: 1. Reversing switch lever

⚠ CAUTION: Always check the direction of rotation before operation.

⚠ CAUTION: Use the reversing switch only after the tool comes to a complete stop. Changing the direction of rotation before the tool stops may damage the tool.

⚠ CAUTION: When not operating the tool, always set the reversing switch lever to the neutral position.


This tool has a reversing switch to change the direction of rotation. Depress the reversing switch lever from the A side for clockwise rotation or from the B side for counterclockwise rotation. When the reversing switch lever is in the neutral position, the switch trigger cannot be pulled.

Selecting the action mode

NOTICE: Do not rotate the action mode changing knob when the tool is running. The tool will be damaged.

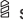
NOTICE: To avoid rapid wear on the mode change mechanism, be sure that the action mode changing knob is always positively located in one of the three action mode positions.

Rotation with hammering

For drilling in concrete, masonry, etc., rotate the action mode changing knob to the  symbol. Use a tungsten-carbide tipped bit (optional accessory).


► Fig.6: 1. Rotation with hammering 2. Action mode changing knob

Rotation only

For drilling in wood, metal or plastic materials, rotate the action mode changing knob to the  symbol. Use a twist drill bit or wood drill bit.

► Fig.7: 1. Rotation only

Hammering only

For chipping, scaling or demolition operations, rotate the action mode changing knob to the  symbol. Use a bull point, cold chisel, scaling chisel, etc.

► Fig.8: 1. Hammering only

Adjusting the nozzle position of the dust collection system

Optional accessory

Push in the guide while pushing up the guide adjustment button, and then release the button at the desired position.

► Fig.9: 1. Guide 2. Guide adjustment button

NOTE: Before adjusting the nozzle position, release the nozzle forward completely by pushing up the guide adjustment button.

Adjusting the drilling depth of the dust collection system

Optional accessory

Slide the depth adjustment button to the desired position while pushing it up. The distance (A) is the drilling depth.

► Fig.10: 1. Depth adjustment button

Torque limiter

NOTICE: As soon as the torque limiter actuates, switch off the tool immediately. This will help prevent premature wear of the tool.

NOTICE: Drill bits such as hole saw, which tend to pinch or catch easily in the hole, are not appropriate for this tool. This is because they will cause the torque limiter to actuate too frequently.

The torque limiter will actuate when a certain torque level is reached. The motor will disengage from the output shaft. When this happens, the drill bit will stop turning.

Electronic function

The tool is equipped with the electronic functions for easy operation.

- Constant speed control
The speed control function provides the constant rotation speed regardless of load conditions.

ASSEMBLY

CAUTION: Always be sure that the tool is switched off and the battery cartridge is removed before carrying out any work on the tool.

Side grip (auxiliary handle)

CAUTION: Always use the side grip to ensure safe operation.

CAUTION: After installing or adjusting the side grip, make sure that the side grip is firmly secured.

Install the side grip so that the grooves on the grip fit in the protrusions on the tool barrel. Turn the grip clockwise to secure it. The grip can be fixed at desired angle.

► **Fig.11:** 1. Side grip

Grease

Coat the shank end of the drill bit beforehand with a small amount of grease (about 0.5 - 1 g). This chuck lubrication assures smooth action and longer service life.

Installing or removing drill bit

Clean the shank end of the drill bit and apply grease before installing the drill bit.

► **Fig.12:** 1. Shank end 2. Grease

Insert the drill bit into the tool. Turn the drill bit and push it in until it engages.

After installing the drill bit, always make sure that the drill bit is securely held in place by trying to pull it out.

► **Fig.13:** 1. Drill bit


To remove the drill bit, pull the chuck cover down all the way and pull the drill bit out.

► **Fig.14:** 1. Drill bit 2. Chuck cover

Chisel angle (when chipping, scaling or demolishing)

The chisel can be secured at the desired angle. To change the chisel angle, rotate the action mode changing knob to the O symbol. Turn the chisel to the desired angle.

► **Fig.15:** 1. Action mode changing knob

Rotate the action mode changing knob to the  symbol. Then make sure that the chisel is securely held in place by turning it slightly.

Depth gauge

The depth gauge is convenient for drilling holes of uniform depth. Loosen the side grip and insert the depth gauge into the hole on the side grip. Adjust the depth gauge to the desired depth and tighten the side grip firmly.

► **Fig.16:** 1. Hole 2. Depth gauge

NOTE: Make sure that the depth gauge does not touch the main body of the tool when attaching it.

Installing or removing dust collection system

Optional accessory

To remove the dust collection system, pull the tool while pressing the lock-off button. To install it, insert the tool into the dust collection system all the way until it locks in place with a little click.

► **Fig.17:** 1. Lock-off button

Dust cup

Optional accessory

Use the dust cup to prevent dust from falling over the tool and on yourself when performing overhead drilling operations. Attach the dust cup to the bit as shown in the figure. The size of bits which the dust cup can be attached to is as follows.

Model	Bit diameter
Dust cup 5	6 mm - 14.5 mm
Dust cup 9	12 mm - 16 mm

► **Fig.18:** 1. Dust cup

Dust cup set

Optional accessory

Installing the dust cup set

NOTICE: If you purchase the dust cup set as optional accessory, the standard side grip cannot be used with the dust cup set being installed on the tool. When the dust cup set is installed on the tool, remove the grip from the standard side grip, and then attach it to the optional grip base set.

► **Fig.19:** 1. Bolt 2. Grip 3. Optional grip base set

NOTICE: Do not use the dust cup set when drilling in metal or similar. It may damage the dust cup set due to the heat produced by small metal dust or similar. Do not install or remove the dust cup set with the drill bit installed in the tool. It may damage the dust cup set and cause dust leak.

Before installing the dust cup set, remove the bit from the tool if installed.

1. Install the spacer so that the grooves on the spacer fit in the protrusions on the tool barrel while widening it. Be careful for the spring not to come off from the slit of spacer.

► **Fig.20:** 1. Spacer 2. Spring

► **Fig.21**

2. Install the side grip (optional grip base set and the grip removed from standard side grip) so that the groove on the grip fit in the protrusion on the spacer. Turn the grip clockwise to secure it.

► **Fig.22:** 1. Side grip

3. Install the dust cup set so that the claws of the dust cup fit in the slits on the spacer.

► **Fig.23:** 1. Dust cup 2. Claws

NOTE: If you connect a vacuum cleaner to the dust cup set, remove the dust cap before connecting it.

► **Fig.24:** 1. Dust cap

Removing the drill bit

To remove the drill bit, pull the chuck cover down all the way and pull the drill bit out.

► **Fig.25:** 1. Bit 2. Chuck cover

Removing the dust cup set

To remove the dust cup set, follow the steps below.

1. Loosen the side grip.

► **Fig.26:** 1. Side grip

2. Hold the root of dust cup and pull it out.

► **Fig.27:** 1. Dust cup

NOTE: If it is difficult to remove the dust cup set, remove the claws of the dust cup one by one by swinging and pulling the root of the dust cup.

NOTE: If the cap comes off from the dust cup, attach it with its printed side facing up so that groove on the cap fits in the inside periphery of the attachment.

► **Fig.28**

Hook

Optional accessory

CAUTION: Always remove the battery when hanging the tool with the hook.

CAUTION: Never hook the tool at high location or on potentially unstable surface.

► **Fig.29:** 1. Groove 2. Hook 3. Screw

The hook is convenient for temporarily hanging the tool. This can be installed on either side of the tool.

To install the hook, insert it into a groove in the tool housing on either side and then secure it with a screw. To remove, loosen the screw and then take it out.

Tool hanger

Optional accessory

CAUTION: Do not use damaged tool hanger and screw. Before use, always check for damages, cracks or deformations, and make sure that the screw is tightened.

CAUTION: Install or remove the tool hanger on a stable table or surface. Be sure to use the screw provided with the tool hanger only. After installing the tool hanger, make sure that the tool hanger is securely installed with the screw.

CAUTION: Do not remove the battery cartridge while hanging the tool. The tool may fall if the screw is not tightened.

The tool hanger is intended for connecting the lanyard (tether strap). To install the tool hanger to the tool, follow the steps below.

1. Remove the battery cartridge from the tool.

2. Attach the tool hanger from the bottom of the tool as shown in the figure.

► **Fig.30**

3. Insert the protrusion of the tool hanger into the groove on the left side of the tool.

► **Fig.31:** 1. Groove 2. Protrusion

NOTE: The tool hanger can be installed in the direction as shown in the figure only.

4. Tighten the screw firmly.

► **Fig.32:** 1. Screw

OPERATION

CAUTION: Always use the side grip (auxiliary handle) and firmly hold the tool by both side grip and switch handle during operations.

CAUTION: Always make sure that the workpiece is secured before operation.

CAUTION: Do not pull the tool out forcibly even the bit gets stuck. Loss of control may cause injury.

CAUTION: The dust collection system is intended for drilling in concrete only. Do not use the dust collection system for drilling in metal or wood.

CAUTION: When using the tool with the dust collection system, be sure to attach the filter to the dust collection system to prevent dust inhalation.

CAUTION: Before using the dust collection system, check that the filter is not damaged. Failure to do so may cause dust inhalation.

CAUTION: The dust collection system collects the generated dust at a considerable rate, but not all dust can be collected.

NOTICE: Do not use the dust collection system for core drilling or chiseling.


NOTICE: Do not use the dust collection system for drilling in wet concrete or use this system in wet environment. Failure to do so may cause malfunction.

NOTE: If the battery cartridge is in low temperature, the tool's capability may not be fully obtained. In this case, warm up the battery cartridge by using the tool with no load for a while to fully obtain the tool's capability.

► **Fig.33**

Hammer drilling operation

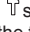
CAUTION: There is tremendous and sudden twisting force exerted on the tool/drill bit at the time of hole break-through, when the hole becomes clogged with chips and particles, or when striking reinforcing rods embedded in the concrete. **Always use the side grip (auxiliary handle) and firmly hold the tool by both side grip and switch handle during operations.** Failure to do so may result in the loss of control of the tool and potentially severe injury.

Set the action mode changing knob to the  symbol. Position the drill bit at the desired location for the hole, then pull the switch trigger. Do not force the tool. Light pressure gives best results. Keep the tool in position and prevent it from slipping away from the hole.

Do not apply more pressure when the hole becomes clogged with chips or particles. Instead, run the tool at an idle, then remove the drill bit partially from the hole. By repeating this several times, the hole will be cleaned out and normal drilling may be resumed.

NOTE: Eccentricity in the drill bit rotation may occur while operating the tool with no load. The tool automatically centers itself during operation. This does not affect the drilling precision.

Chipping/Scaling/Demolition

Set the action mode changing knob to the  symbol. Hold the tool firmly with both hands. Turn the tool on and apply slight pressure on the tool so that the tool will not bounce around, uncontrolled.

Pressing very hard on the tool will not increase the efficiency.

► Fig.34

Drilling in wood or metal

CAUTION: Hold the tool firmly and exert care when the drill bit begins to break through the workpiece. There is a tremendous force exerted on the tool/drill bit at the time of hole break through.

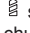
CAUTION: A stuck drill bit can be removed simply by setting the reversing switch to reverse rotation in order to back out. However, the tool may back out abruptly if you do not hold it firmly.

CAUTION: Always secure workpieces in a vise or similar hold-down device.

NOTICE: Never use “rotation with hammering” when the drill chuck is installed on the tool. The drill chuck may be damaged.

Also, the drill chuck will come off when reversing the tool.


NOTICE: Pressing excessively on the tool will not speed up the drilling. In fact, this excessive pressure will only serve to damage the tip of your drill bit, decrease the tool performance and shorten the service life of the tool.

Set the action mode changing knob to the  symbol. Attach the chuck adapter to a keyless drill chuck to which 1/2"-20 size screw can be installed, and then install them to the tool. When installing it, refer to the section “Installing or removing drill bit”.

► Fig.35: 1. Drill chuck assembly 2. Chuck adapter

Diamond core drilling

NOTICE: If performing diamond core drilling operations using “rotation with hammering” action, the diamond core bit may be damaged.

When performing diamond core drilling operations, always set the change lever to the  position to use “rotation only” action.

Beating dust on the filter

Optional accessory

CAUTION: Do not turn the dial on the dust case while the dust case is removed from the dust collection system. Doing so may cause dust inhalation.

CAUTION: Always switch off the tool when turning the dial on the dust case. Turning the dial while the tool is running may result in the loss of control of the tool.

By beating the dust on the filter inside the dust case, you can keep the vacuum efficiency and also reduce the number of times to dispose of the dust.

Turn the dial on the dust case three times after collecting every 50,000 mm³ of dust or when you feel the vacuum performance declined.

NOTE: 50,000 mm³ of dust equivalents to drilling 10 holes of $\varnothing 10$ mm and 65 mm depth (14 holes of $\varnothing 3/8$ " and 2" depth).

► Fig.36: 1. Dust case 2. Dial

Disposing of dust

Optional accessory

CAUTION: Always be sure that the tool is switched off and the battery cartridge is removed before carrying out any work on the tool.

CAUTION: Be sure to wear dust mask when disposing of dust.

CAUTION: Empty the dust case regularly before the dust case becomes full. Failure to do so may decrease the dust collection performance and cause dust inhalation.

CAUTION: The performance of dust collection decreases if the filter in the dust case become clogged. Replace the filter with new one after approximately 200 times of dust fulfillment as a guide. Failure to do so may cause dust inhalation.

1. Remove the dust case while pressing down the lever of the dust case.

► Fig.37: 1. Lever

2. Open the cover of the dust case.

► Fig.38: 1. Cover

3. Dispose of the dust, and then clean the filter.

► Fig.39

NOTICE: When cleaning the filter, do not touch the filter with brush or similar, or blow compressed air on the filter. It may damage the filter.

Blow-out bulb

Optional accessory

After drilling the hole, use the blow-out bulb to clean the dust out of the hole.

► Fig.40

Using dust cup set

Optional accessory

Fit the dust cup set against the ceiling when operating the tool.

► Fig.41

NOTICE: Do not use the dust cup set when drilling in metal or similar. It may damage the dust cup set due to the heat produced by small metal dust or similar.

NOTICE: Do not install or remove the dust cup set with the drill bit installed in the tool. It may damage the dust cup set and cause dust leak.

Connecting lanyard (tether strap) to tool hanger

▲ Safety warnings specific for use at height

Read all safety warnings and instructions. Failure to follow the warnings and instructions may result in serious injury.

1. Always keep the tool tethered when working "at height". Maximum lanyard length is 2 m.
2. Use only with lanyards appropriate for this tool type and rated for at least 4.5 kg.
3. Do not anchor the tool lanyard to anything on your body or on movable components. Anchor the tool lanyard to a rigid structure that can withstand the forces of a dropped tool.
4. Make sure the lanyard is properly secured at each end prior to use.
5. Inspect the tool and lanyard before each use for damage and proper function (including fabric and stitching). Do not use if damaged or not functioning properly.
6. Do not wrap lanyards around or allow them to come in contact with sharp or rough edges.
7. Fasten the other end of the lanyard outside the working area so that a falling tool is held securely.
8. Attach the lanyard so that the tool will move away from the operator if it falls. Dropped tools will swing on the lanyard, which could cause injury or loss of balance.
9. Do not use near moving parts or running machinery. Failure to do so may result in a crush or entanglement hazard.
10. Do not carry the tool by the attachment device or the lanyard.
11. Only transfer the tool between your hands while you are properly balanced.
12. Do not attach lanyards to the tool in a way that keeps switches or trigger-lock (if supplied) from operating properly.
13. Avoid getting tangled in the lanyard.
14. Keep lanyard away from the drilling area of the tool.
15. Use multi-action and screw gate type carabineers. Do not use single action spring clip carabineers.
16. In the event the tool is dropped, it must be tagged and removed from service, and should be inspected by a Makita Factory or Authorized Service Center.

► Fig.42: 1. Tool hanger 2. Lanyard (tether strap)

WIRELESS ACTIVATION FUNCTION

Optional accessory

What you can do with the wireless activation function

The wireless activation function enables clean and comfortable operation. By connecting a supported vacuum cleaner to the tool, you can run the vacuum cleaner automatically along with the switch operation of the tool.

► Fig.43

To use the wireless activation function, prepare following items:

- A wireless unit (optional accessory)
- A vacuum cleaner which supports the wireless activation function

The overview of the wireless activation function setting is as follows. Refer to each section for detail procedures.

1. Installing the wireless unit
2. Tool registration for the vacuum cleaner
3. Starting the wireless activation function

Installing the wireless unit

Optional accessory

▲ CAUTION: Place the tool on a flat and stable surface when installing the wireless unit.

NOTICE: Clean the dust and dirt on the tool before installing the wireless unit. Dust or dirt may cause malfunction if it comes into the slot of the wireless unit.

NOTICE: To prevent the malfunction caused by static, touch a static discharging material, such as a metal part of the tool, before picking up the wireless unit.

NOTICE: When installing the wireless unit, always be sure that the wireless unit is inserted in the correct direction and the lid is completely closed.

1. Open the lid on the tool as shown in the figure.
► Fig.44: 1. Lid
2. Insert the wireless unit to the slot and then close the lid.

When inserting the wireless unit, align the projections with the recessed portions on the slot.

- Fig.45: 1. Wireless unit 2. Projection 3. Lid
4. Recessed portion

When removing the wireless unit, open the lid slowly. The hooks on the back of the lid will lift the wireless unit as you pull up the lid.

- Fig.46: 1. Wireless unit 2. Hook 3. Lid

After removing the wireless unit, keep it in the supplied case or a static-free container.

NOTICE: Always use the hooks on the back of the lid when removing the wireless unit. If the hooks do not catch the wireless unit, close the lid completely and open it slowly again.

Tool registration for the vacuum cleaner

NOTE: A Makita vacuum cleaner supporting the wireless activation function is required for the tool registration.

NOTE: Finish installing the wireless unit to the tool before starting the tool registration.

NOTE: During the tool registration, do not pull the switch trigger or turn on the power switch on the vacuum cleaner.

NOTE: Refer to the instruction manual of the vacuum cleaner, too.

If you wish to activate the vacuum cleaner along with the switch operation of the tool, finish the tool registration beforehand.

1. Install the batteries to the vacuum cleaner and the tool.
2. Set the stand-by switch on the vacuum cleaner to "AUTO".
▶ **Fig.47:** 1. Stand-by switch
3. Press the wireless activation button on the vacuum cleaner for 3 seconds until the wireless activation lamp blinks in green. And then press the wireless activation button on the tool in the same way.
▶ **Fig.48:** 1. Wireless activation button 2. Wireless activation lamp

If the vacuum cleaner and the tool are linked successfully, the wireless activation lamps will light up in green for 2 seconds and start blinking in blue.

NOTE: The wireless activation lamps finish blinking in green after 20 seconds elapsed. Press the wireless activation button on the tool while the wireless activation lamp on the cleaner is blinking. If the wireless activation lamp does not blink in green, push the wireless activation button briefly and hold it down again.

NOTE: When performing two or more tool registrations for one vacuum cleaner, finish the tool registration one by one.

Starting the wireless activation function

NOTE: Finish the tool registration for the vacuum cleaner prior to the wireless activation.

NOTE: Refer to the instruction manual of the vacuum cleaner, too.

After registering a tool to the vacuum cleaner, the vacuum cleaner will automatically runs along with the switch operation of the tool.

1. Install the wireless unit to the tool.
2. Connect the hose of the vacuum cleaner with the tool.
▶ **Fig.49**

3. Set the stand-by switch on the vacuum cleaner to "AUTO".

▶ **Fig.50:** 1. Stand-by switch

4. Push the wireless activation button on the tool briefly. The wireless activation lamp will blink in blue.

▶ **Fig.51:** 1. Wireless activation button 2. Wireless activation lamp

5. Pull the switch trigger of the tool. Check if the vacuum cleaner runs while the switch trigger is being pulled.

To stop the wireless activation of the vacuum cleaner, push the wireless activation button on the tool.

NOTE: The wireless activation lamp on the tool will stop blinking in blue when there is no operation for 2 hours. In this case, set the stand-by switch on the vacuum cleaner to "AUTO" and push the wireless activation button on the tool again.

NOTE: The vacuum cleaner starts/stops with a delay. There is a time lag when the vacuum cleaner detects a switch operation of the tool.










NOTE: The transmission distance of the wireless unit may vary depending on the location and surrounding circumstances.

NOTE: When two or more tools are registered to one vacuum cleaner, the vacuum cleaner may start running even if you don't pull the switch trigger because another user is using the wireless activation function.

Description of the wireless activation lamp status

► Fig.52: 1. Wireless activation lamp

The wireless activation lamp shows the status of the wireless activation function. Refer to the table below for the meaning of the lamp status.

Status	Wireless activation lamp				Description
	Color	 On	 Blinking	Duration	
Standby	Blue			2 hours	The wireless activation of the vacuum cleaner is available. The lamp will automatically turn off when no operation is performed for 2 hours.
				When the tool is running.	The wireless activation of the vacuum cleaner is available and the tool is running.
Tool registration	Green			20 seconds	Ready for the tool registration. Waiting for the registration by the vacuum cleaner.
				2 seconds	The tool registration has been finished. The wireless activation lamp will start blinking in blue.
Cancelling tool registration	Red			20 seconds	Ready for the cancellation of the tool registration. Waiting for the cancellation by the vacuum cleaner.
				2 seconds	The cancellation of the tool registration has been finished. The wireless activation lamp will start blinking in blue.
Others	Red			3 seconds	The power is supplied to the wireless unit and the wireless activation function is starting up.
	Off	-		-	The wireless activation of the vacuum cleaner is stopped.

Cancelling tool registration for the vacuum cleaner

Perform the following procedure when cancelling the tool registration for the vacuum cleaner.

1. Install the batteries to the vacuum cleaner and the tool.
2. Set the stand-by switch on the vacuum cleaner to "AUTO".

► Fig.53: 1. Stand-by switch

3. Press the wireless activation button on the vacuum cleaner for 6 seconds. The wireless activation lamp blinks in green and then become red. After that, press the wireless activation button on the tool in the same way.

► Fig.54: 1. Wireless activation button 2. Wireless activation lamp

If the cancellation is performed successfully, the wireless activation lamps will light up in red for 2 seconds and start blinking in blue.

NOTE: The wireless activation lamps finish blinking in red after 20 seconds elapsed. Press the wireless activation button on the tool while the wireless activation lamp on the cleaner is blinking. If the wireless activation lamp does not blink in red, push the wireless activation button briefly and hold it down again.

Troubleshooting for wireless activation function

Before asking for repairs, conduct your own inspection first. If you find a problem that is not explained in the manual, do not attempt to dismantle the tool. Instead, ask Makita Authorized Service Centers, always using Makita replacement parts for repairs.

State of abnormality	Probable cause (malfunction)	Remedy
The wireless activation lamp does not light/blink.	The wireless unit is not installed into the tool. The wireless unit is improperly installed into the tool.	Install the wireless unit correctly.
	The terminal of the wireless unit and/or the slot is dirty.	Gently wipe off dust and dirt on the terminal of the wireless unit and clean the slot.
	The wireless activation button on the tool has not been pushed.	Push the wireless activation button on the tool briefly.
	The stand-by switch on the vacuum cleaner is not set to "AUTO".	Set the stand-by switch on the vacuum cleaner to "AUTO".
	No power supply	Supply the power to the tool and the vacuum cleaner.
Cannot finish tool registration / cancelling tool registration successfully.	The wireless unit is not installed into the tool. The wireless unit is improperly installed into the tool.	Install the wireless unit correctly.
	The terminal of the wireless unit and/or the slot is dirty.	Gently wipe off dust and dirt on the terminal of the wireless unit and clean the slot.
	The stand-by switch on the vacuum cleaner is not set to "AUTO".	Set the stand-by switch on the vacuum cleaner to "AUTO".
	No power supply	Supply the power to the tool and the vacuum cleaner.
	Incorrect operation	Push the wireless activation button briefly and perform the tool registration/cancellation procedures again.
	The tool and vacuum cleaner are away from each other (out of the transmission range).	Get the tool and vacuum cleaner closer to each other. The maximum transmission distance is approximately 10 m however it may vary according to the circumstances.
	Before finishing the tool registration/cancellation; - the switch trigger on the tool is pulled or; - the power button on the vacuum cleaner is turned on.	Push the wireless activation button briefly and perform the tool registration/cancellation procedures again.
	The tool registration procedures for the tool or vacuum cleaner have not finished.	Perform the tool registration procedures for both the tool and the vacuum cleaner at the same timing.
	Radio disturbance by other appliances which generate high-intensity radio waves.	Keep the tool and vacuum cleaner away from the appliances such as Wi-Fi devices and microwave ovens.
The vacuum cleaner does not run along with the switch operation of the tool.	The wireless unit is not installed into the tool. The wireless unit is improperly installed into the tool.	Install the wireless unit correctly.
	The terminal of the wireless unit and/or the slot is dirty.	Gently wipe off dust and dirt on the terminal of the wireless unit and clean the slot.
	The wireless activation button on the tool has not been pushed.	Push the wireless activation button briefly and make sure that the wireless activation lamp is blinking in blue.
	The stand-by switch on the vacuum cleaner is not set to "AUTO".	Set the stand-by switch on the vacuum cleaner to "AUTO".
	More than 10 tools are registered to the vacuum cleaner.	Perform the tool registration again. If more than 10 tools are registered to the vacuum cleaner, the tool registered earliest will be cancelled automatically.
	The vacuum cleaner erased all tool registrations.	Perform the tool registration again.
	No power supply	Supply the power to the tool and the vacuum cleaner.
	The tool and vacuum cleaner are away from each other (out of the transmission range).	Get the tool and vacuum cleaner closer each other. The maximum transmission distance is approximately 10 m however it may vary according to the circumstances.
	Radio disturbance by other appliances which generate high-intensity radio waves.	Keep the tool and vacuum cleaner away from the appliances such as Wi-Fi devices and microwave ovens.
The vacuum cleaner runs while the tool's switch trigger is not pulled.	Other users are using the wireless activation of the vacuum cleaner with their tools.	Turn off the wireless activation button of the other tools or cancel the tool registration of the other tools.

MAINTENANCE

⚠ CAUTION: Always be sure that the tool is switched off and the battery cartridge is removed before attempting to perform inspection or maintenance.

NOTICE: Never use gasoline, benzine, thinner, alcohol or the like. Discoloration, deformation or cracks may result.

To maintain product SAFETY and RELIABILITY, repairs, any other maintenance or adjustment should be performed by Makita Authorized or Factory Service Centers, always using Makita replacement parts.

Replacing filter of dust case

Optional accessory

1. Remove the dust case while pressing down the lever of the dust case.
▶ **Fig.55:** 1. Lever
2. Insert the flat-blade screwdriver into the slots of the filter cover to remove the filter cover.
▶ **Fig.56:** 1. Flat-blade screwdriver 2. Filter cover
3. Remove the filter from the filter case.
▶ **Fig.57:** 1. Filter 2. Filter case
4. Attach a new filter to the filter case, and then attach the filter cover.
5. Close the cover of the dust case, and then attach the dust case to the dust collection system.

Replacing sealing cap

Optional accessory

If the sealing cap is worn out, the performance of the dust collection decreases. Replace it if it's worn out. Remove the sealing cap, and then attach a new one with its protrusion facing upward.

- ▶ **Fig.58:** 1. Protrusion 2. Sealing cap

OPTIONAL ACCESSORIES

⚠ CAUTION: These accessories or attachments are recommended for use with your Makita tool specified in this manual. The use of any other accessories or attachments might present a risk of injury to persons. Only use accessory or attachment for its stated purpose.

If you need any assistance for more details regarding these accessories, ask your local Makita Service Center.

- Carbide-tipped drill bits (SDS-Plus carbide-tipped bits)
- Core bit
- Bull point
- Diamond core bit
- Cold chisel

- Scaling chisel
- Grooving chisel
- Chuck adapter
- Keyless drill chuck
- Bit grease
- Depth gauge
- Blow-out bulb
- Dust cup
- Dust cup set
- Dust collection system
- Wireless unit
- Hook
- Tool hanger
- Makita genuine battery and charger
- Safety goggles
- Plastic carrying case

NOTE: Some items in the list may be included in the tool package as standard accessories. They may differ from country to country.

SPÉCIFICATIONS

Modèle :		DHR182
Capacités	Béton	18 mm
	Trépan	35 mm
	Trépan diamant (type sec)	32 mm
	Acier	13 mm
	Bois	24 mm
Vitesse à vide		0 - 1 350 min ⁻¹
Frappes par minute		0 - 5 000 min ⁻¹
Longueur totale		301 mm
Tension nominale		18 V CC
Poids net		2,4 - 3,2 kg

Accessoire en option

Modèle :		DX05
Performance d'aspiration		250 l/min
Course de travail		Jusqu'à 90 mm
Foret adéquat		Jusqu'à 160 mm
Poids net		0,9 kg

- Étant donné l'évolution constante de notre programme de recherche et de développement, les spécifications contenues dans ce manuel sont sujettes à modification sans préavis.
- Les spécifications et la batterie peuvent être différentes suivant les pays.
- Le poids peut être différent selon les accessoires, notamment la batterie. Les associations la plus légère et la plus lourde, conformément à la procédure EPTA 01/2014, sont indiquées dans le tableau.

Batterie applicable

BL1815N / BL1820 / BL1820B / BL1830 / BL1830B / BL1840 / BL1840B / BL1850 / BL1850B / BL1860B

- Certaines batteries répertoriées ci-dessus peuvent ne pas être disponibles selon la région où vous résidez.

⚠ AVERTISSEMENT : N'utilisez que les batteries répertoriées ci-dessus. L'utilisation de n'importe quelle autre batterie peut provoquer des blessures et/ou un incendie.

Utilisation prévue

L'outil est conçu pour le perçage avec martelage et le perçage dans la brique, le béton et la pierre, ainsi que pour les tâches de ciselage.

Il convient également au perçage sans impact dans le bois, le métal, la céramique et le plastique.

NOTE : La ou les valeurs d'émission de bruit déclarées ont été mesurées conformément à la méthode de test standard et peuvent être utilisées pour comparer les outils entre eux.

NOTE : La ou les valeurs d'émission de bruit déclarées peuvent aussi être utilisées pour l'évaluation préliminaire de l'exposition.

Bruit

Niveau de bruit pondéré A typique, déterminé selon EN60745-2-6 :

Modèle DHR182

Niveau de pression sonore (L_{pA}) : 89 dB (A)

Niveau de puissance sonore (L_{WA}) : 100 dB (A)

Incertitude (K) : 3 dB (A)

Modèle DHR182 avec DX05

Niveau de pression sonore (L_{pA}) : 90 dB (A)

Niveau de puissance sonore (L_{WA}) : 101 dB (A)

Incertitude (K) : 3 dB (A)

⚠ AVERTISSEMENT : Portez un serre-tête antibruit.

⚠ AVERTISSEMENT : L'émission de bruit lors de l'usage réel de l'outil électrique peut être différente de la ou des valeurs déclarées, suivant la façon dont l'outil est utilisé, particulièrement selon le type de pièce usinée.

⚠ AVERTISSEMENT : Les mesures de sécurité à prendre pour protéger l'utilisateur doivent être basées sur une estimation de l'exposition dans des conditions réelles d'utilisation (en tenant compte de toutes les composantes du cycle d'utilisation, comme par exemple le moment de sa mise hors tension, lorsqu'il tourne à vide et le moment de son déclenchement).

Vibrations

Le tableau suivant indique la valeur totale de vibrations (somme de vecteur triaxial) déterminée selon la norme applicable.

Mode de travail	Émission de vibrations	Incertitude (K)	Norme applicable
Perçage avec martelage dans le béton ($a_{h,HD}$)	11,0 m/s ²	1,5 m/s ²	EN60745-2-6
Perçage avec martelage dans le béton avec le DX05 ($a_{h,HD}$)	11,0 m/s ²	1,5 m/s ²	EN60745-2-6
Fonction de ciselage avec poignée latérale ($a_{h,Chaq}$)	9,0 m/s ²	1,5 m/s ²	EN60745-2-6
Perçage dans le métal ($a_{h,D}$)	2,5 m/s ²	1,5 m/s ²	EN60745-2-1

NOTE : La ou les valeurs de vibration totales déclarées ont été mesurées conformément à la méthode de test standard et peuvent être utilisées pour comparer les outils entre eux.

NOTE : La ou les valeurs de vibration totales déclarées peuvent aussi être utilisées pour l'évaluation préliminaire de l'exposition.

⚠ AVERTISSEMENT : L'émission de vibrations lors de l'usage réel de l'outil électrique peut être différente de la ou des valeurs déclarées, suivant la façon dont l'outil est utilisé, particulièrement selon le type de pièce usinée.

⚠ AVERTISSEMENT : Les mesures de sécurité à prendre pour protéger l'utilisateur doivent être basées sur une estimation de l'exposition dans des conditions réelles d'utilisation (en tenant compte de toutes les composantes du cycle d'utilisation, comme par exemple le moment de sa mise hors tension, lorsqu'il tourne à vide et le moment de son déclenchement).

Déclaration de conformité CE

Pour les pays européens uniquement

La déclaration de conformité CE est fournie en Annexe A à ce mode d'emploi.

CONSIGNES DE SÉCURITÉ

Consignes de sécurité générales pour outils électriques

⚠ AVERTISSEMENT : Veuillez lire les consignes de sécurité, instructions, illustrations et spécifications qui accompagnent cet outil électrique. Le non-respect de toutes les instructions indiquées ci-dessous peut entraîner une électrocution, un incendie et/ou de graves blessures.

Conservez toutes les mises en garde et instructions pour référence ultérieure.

Le terme « outil électrique » dans les avertissements fait référence à l'outil électrique alimenté par le secteur (avec cordon d'alimentation) ou à l'outil électrique fonctionnant sur batterie (sans cordon d'alimentation).

CONSIGNES DE SÉCURITÉ POUR PERFORATEUR SANS FIL

1. **Portez des protecteurs d'oreilles.** L'exposition au bruit peut entraîner la surdité.
2. **Utilisez la ou les poignées auxiliaires, si l'outil en possède.** Toute perte de maîtrise de l'outil comporte un risque de blessure.

3. **Tenez l'outil électrique par des surfaces de prise isolées** lorsque vous effectuez une tâche au cours de laquelle l'accessoire de coupe peut entrer en contact avec des fils cachés. Le contact de l'accessoire de découpe avec un fil sous tension peut transmettre du courant dans les pièces métalliques exposées de l'outil électrique et électrocuter l'utilisateur.
4. **Portez un casque de sécurité (casque de chantier), des lunettes de sécurité et/ou un écran facial.** Les lunettes de vue ou les lunettes de soleil NE sont PAS des lunettes de sécurité. Il est également vivement recommandé de porter un masque anti-poussière et des gants matelassés.
5. **Avant utilisation, assurez-vous que le foret est bien fixé en place.**
6. **Dans des conditions normales de fonctionnement, l'outil est conçu pour émettre des vibrations.** Les vis peuvent se desserrer facilement et provoquer une panne ou un accident. Avant utilisation, vérifiez soigneusement que les vis sont bien serrées.
7. **Par temps froid ou si l'outil n'a pas été utilisé pendant longtemps, laissez-le chauffer un instant en le faisant fonctionner à vide.** Cela ramollira le lubrifiant. Si vous ne chauffez pas adéquatement l'outil, le martelage s'exécutera difficilement.
8. **Assurez-vous toujours de travailler en position stable.** Veillez à ce que personne ne se trouve en dessous de vous quand vous utilisez l'outil en hauteur.
9. **Tenez l'outil fermement à deux mains.**
10. **Éloignez les mains des pièces en mouvement.**
11. **Ne vous éloignez pas en laissant l'outil tourner.** Ne le faites fonctionner que lorsque vous l'avez bien en main.
12. **Ne pointez l'outil vers personne dans la zone d'utilisation.** Le foret peut être projeté et blesser gravement quelqu'un.
13. **Ne touchez pas le foret, les pièces proches du foret ou la pièce immédiatement après l'exécution du travail ; ils peuvent être extrêmement chauds et vous brûler la peau.**

14. Certains matériaux contiennent des produits chimiques qui peuvent être toxiques. Prenez garde de ne pas avaler la poussière et évitez tout contact avec la peau. Suivez les données de sécurité du fournisseur du matériau.
15. Assurez-vous toujours que l'outil est hors tension et que la batterie et le foret sont retirés avant de passer l'outil à une autre personne.

CONSERVEZ CES INSTRUCTIONS.

⚠️ AVERTISSEMENT : NE vous laissez PAS tromper (au fil d'une utilisation répétée) par un sentiment d'aisance et de familiarité avec le produit, en négligeant le respect rigoureux des consignes de sécurité qui accompagnent le produit en question. La MAUVAISE UTILISATION de l'outil ou l'ignorance des consignes de sécurité indiquées dans ce mode d'emploi peut entraîner de graves blessures.

Consignes de sécurité importantes pour la batterie

1. Avant d'utiliser la batterie, lisez toutes les instructions et précautions relatives (1) au chargeur de batterie, (2) à la batterie, et (3) au produit utilisant la batterie.
2. Ne démontez pas la batterie.
3. Cessez immédiatement l'utilisation si le temps de fonctionnement devient excessivement court. Il y a risque de surchauffe, de brûlures, voire d'explosion.
4. Si l'électrolyte pénètre dans vos yeux, rincez-les à l'eau claire et consultez immédiatement un médecin. Il y a risque de perte de la vue.
5. Ne court-circuitez pas la batterie :
 - (1) Ne touchez les bornes avec aucun matériau conducteur.
 - (2) Évitez de ranger la batterie dans un conteneur avec d'autres objets métalliques, par exemple des clous, des pièces de monnaie, etc.
 - (3) N'exposez pas la batterie à l'eau ou à la pluie. Un court-circuit de la batterie peut provoquer une intensité de courant élevée, une surchauffe, parfois des brûlures et même une panne.
6. Ne rangez pas l'outil et la batterie dans un endroit où la température risque d'atteindre ou de dépasser 50 °C.
7. Ne jetez pas la batterie au feu même si elle est sérieusement endommagée ou complètement épuisée. La batterie peut exploser au contact du feu.
8. Évitez de laisser tomber ou de cogner la batterie.
9. N'utilisez pas la batterie si elle est endommagée.
10. Les batteries au lithium-ion contenues sont soumises aux exigences de la législation sur les marchandises dangereuses.

Lors du transport commercial par des tierces parties ou des transitaires par exemple, des exigences spécifiques en matière d'étiquetage et d'emballage doivent être respectées.

Pour la préparation de l'article expédié, il est nécessaire de consulter un expert en matériau dangereux. Veuillez également respecter les réglementations nationales susceptibles d'être plus détaillées.

Recouvrez les contacts exposés avec du ruban adhésif ou du ruban de masquage et emballez la batterie de telle sorte qu'elle ne puisse pas bouger dans l'emballage.

11. Suivez les réglementations locales en matière de mise au rebut des batteries.
12. Utilisez les batteries uniquement avec les produits spécifiés par Makita. L'insertion de batteries dans des produits non conformes peut provoquer un incendie, une chaleur excessive, une explosion ou une fuite de l'électrolyte.

CONSERVEZ CES INSTRUCTIONS.

⚠️ ATTENTION : N'utilisez que des batteries Makita d'origine. L'utilisation de batteries de marque autre que Makita ou de batteries modifiées peut provoquer l'explosion des batteries, ce qui présente un risque d'incendie, de dommages matériels et corporels. Cela annulera également la garantie Makita pour l'outil et le chargeur Makita.

Conseils pour assurer la durée de vie optimale de la batterie

1. Chargez la batterie avant qu'elle ne soit complètement déchargée. Arrêtez toujours l'outil et rechargez la batterie quand vous remarquez que la puissance de l'outil diminue.
2. Ne rechargez jamais une batterie complètement chargée. La surcharge réduit la durée de service de la batterie.
3. Chargez la batterie à une température ambiante comprise entre 10 °C et 40 °C. Avant de charger une batterie chaude, laissez-la refroidir.
4. Rechargez la batterie si elle est restée inutilisée pendant une période prolongée (plus de six mois).

Consignes de sécurité importantes pour le connecteur sans fil

1. Ne démontez ni ne modifiez le connecteur sans fil.
2. Conservez le connecteur sans fil hors de portée des jeunes enfants. En cas d'ingestion accidentelle, consultez immédiatement un médecin.
3. Utilisez le connecteur sans fil uniquement avec des outils Makita.
4. N'exposez pas le connecteur sans fil à la pluie ou à l'humidité.
5. N'utilisez pas le connecteur sans fil dans un endroit où la température dépasse 50 °C.
6. Ne faites pas fonctionner le connecteur sans fil dans un endroit où des appareils médicaux comme des simulateurs cardiaques sont utilisés.
7. Ne faites pas fonctionner le connecteur sans fil dans un endroit où des appareils automatiques sont utilisés. Sinon, ces appareils pourraient présenter un dysfonctionnement ou une erreur.
8. N'utilisez pas le connecteur sans fil dans un endroit à température élevée ou dans un endroit susceptible de générer de l'électricité statique ou du bruit électrique.

9. Le connecteur sans fil peut produire des champs électromagnétiques (CEM), mais ceux-ci ne sont pas dangereux pour l'utilisateur.
10. Le connecteur sans fil est un instrument de précision. Évitez de laisser tomber ou de cogner le connecteur sans fil.
11. Évitez de toucher la borne du connecteur sans fil avec les mains nues ou avec des objets métalliques.
12. Retirez toujours la batterie du produit avant d'y installer le connecteur sans fil.
13. Évitez d'ouvrir le couvercle de la fente dans un endroit où de la poussière ou de l'eau pourrait pénétrer dans la fente. Maintenez toujours propre l'entrée de la fente.
14. Insérez toujours le connecteur sans fil dans le bon sens.
15. N'appuyez pas trop fort sur le bouton d'activation sans fil du connecteur sans fil, ni n'appuyez dessus avec un objet pointu.
16. Fermez toujours le couvercle de la fente pendant le fonctionnement.
17. Ne retirez pas le connecteur sans fil de la fente alors que l'outil est sous tension. Vous risqueriez de provoquer un dysfonctionnement du connecteur sans fil.
18. Ne retirez pas l'autocollant du connecteur sans fil.
19. Ne placez pas d'autocollant sur le connecteur sans fil.
20. Ne laissez pas le connecteur sans fil dans un endroit susceptible de générer de l'électricité statique ou du bruit électrique.
21. Ne laissez pas le connecteur sans fil dans un endroit soumis à une forte chaleur, comme une voiture en plein soleil.
22. Ne laissez pas le connecteur sans fil dans un endroit poussiéreux ou sablonneux ou dans un endroit susceptible de générer des gaz corrosifs.
23. De la condensation peut se former sur le connecteur sans fil en cas de brusque changement de température. N'utilisez pas le connecteur sans fil tant que la condensation n'a pas complètement séché.
24. Pour nettoyer le connecteur sans fil, essuyez-le délicatement avec un chiffon doux et sec. N'utilisez pas de benzine, diluant, graisse conductrice ou autre.
25. Rangez le connecteur sans fil en le conservant dans l'étui fourni ou dans un récipient anti-statique.
26. N'insérez pas d'autres dispositifs que le connecteur sans fil Makita dans la fente sur l'outil.
27. N'utilisez pas l'outil si le couvercle de la fente est endommagé. L'eau, la poussière ou la saleté pourraient pénétrer dans la fente provoquant un dysfonctionnement.
28. Ne tirez, ni ne tordez plus que nécessaire le couvercle de la fente. Remettez le couvercle en place s'il se détache de l'outil.
29. Remplacez le couvercle de la fente si vous le perdez ou l'endommagez.

CONSERVEZ CES INSTRUCTIONS.

DESCRIPTION DU FONCTIONNEMENT

⚠ ATTENTION : Assurez-vous toujours que l'outil est hors tension et que sa batterie est retirée avant de l'ajuster ou de vérifier son fonctionnement.

Insertion ou retrait de la batterie

⚠ ATTENTION : Éteignez toujours l'outil avant de mettre en place ou de retirer la batterie.

⚠ ATTENTION : Tenez fermement l'outil et la batterie lors de la mise en place ou du retrait de la batterie. Si vous ne tenez pas fermement l'outil et la batterie, ils peuvent vous glisser des mains, et s'abîmer ou vous blesser.

► Fig.1: 1. Voyant rouge 2. Bouton 3. Batterie

Pour retirer la batterie, faites-la glisser hors de l'outil tout en faisant glisser le bouton à l'avant de la batterie.

Pour mettre en place la batterie, alignez la languette sur la batterie avec la rainure sur le compartiment et insérez-la. Insérez-la à fond jusqu'à ce qu'un léger dé clic se fasse entendre. Si le voyant rouge sur le dessus du bouton est visible, cela signifie qu'elle n'est pas bien verrouillée.

⚠ ATTENTION : Insérez toujours complètement la batterie jusqu'à ce que le voyant rouge ne soit plus visible. Sinon, elle pourrait tomber accidentellement de l'outil, au risque de vous blesser ou de blesser quelqu'un se trouvant près de vous.

⚠ ATTENTION : N'insérez pas la batterie de force. Si elle ne glisse pas facilement, c'est que vous ne l'insérez pas correctement.

Indication de la charge restante de la batterie

Uniquement pour les batteries avec voyant lumineux

► Fig.2: 1. Témoins 2. Bouton de vérification

Appuyez sur le bouton de vérification sur la batterie pour indiquer la charge restante de la batterie. Les témoins s'allument pendant quelques secondes.

Témoins			Charge restante
Allumé	Éteint	Clignotant	
■ ■ ■ ■			75 % à 100 %
■ ■ ■ □			50 % à 75 %
■ ■ □ □			25 % à 50 %
■ □ □ □			0 % à 25 %
▬ □ □ □			Chargez la batterie.
■ ■ □ □			Anomalie possible de la batterie.
□ □ ■ ■			

NOTE : Selon les conditions d'utilisation et la température ambiante, l'indication peut être légèrement différente de la capacité réelle.

Système de protection de l'outil/la batterie

L'outil est équipé d'un système de protection de l'outil/la batterie. Ce système coupe automatiquement l'alimentation vers le moteur pour prolonger la durée de vie de l'outil et de la batterie. Si l'outil ou la batterie se trouve dans l'une des situations suivantes, l'outil cessera automatiquement de fonctionner.

Protection contre la surcharge

Lorsque la batterie est utilisée d'une manière provoquant un appel de courant anormalement élevé, l'outil s'arrête automatiquement sans indication. Dans ce cas, éteignez l'outil et arrêtez la tâche ayant provoqué la surcharge de l'outil. Puis rallumez l'outil pour reprendre la tâche.

Protection contre la surchauffe

En cas de surchauffe de l'outil ou de la batterie, l'outil s'arrête automatiquement. Dans ce cas, laissez l'outil et la batterie refroidir avant de rallumer l'outil.

NOTE : Si l'outil surchauffe, la lampe clignote.

Protection contre la décharge totale de la batterie

Lorsque la charge de la batterie est insuffisante, l'outil s'arrête automatiquement. Dans ce cas, retirez la batterie de l'outil et chargez-la.

Fonctionnement de la gâchette

AVERTISSEMENT : Avant d'insérer la batterie dans l'outil, vérifiez toujours que la gâchette fonctionne bien et revient en position d'arrêt lorsque vous la relâchez.

► Fig.3: 1. Gâchette

Il suffit d'enclencher la gâchette pour démarrer l'outil. La vitesse de l'outil augmente à mesure que l'on accroît la pression exercée sur la gâchette. Pour l'arrêter, relâchez la gâchette.

Allumage de la lampe avant

► Fig.4: 1. Lampe

ATTENTION : Évitez de regarder directement le faisceau lumineux ou sa source.

Enclenchez la gâchette pour allumer la lampe. La lampe reste allumée tant que la gâchette est enclenchée. La lampe s'éteint environ 10 secondes après avoir relâché la gâchette.

NOTE : Retirez la saleté sur la lentille de la lampe avec un chiffon sec. Prenez soin de ne pas érafler la lentille de la lampe sous peine de diminuer son éclairage.

Fonctionnement de l'inverseur

► Fig.5: 1. Levier de l'inverseur

ATTENTION : Vérifiez toujours le sens de rotation avant d'utiliser l'outil.

ATTENTION : N'utilisez l'inverseur qu'une fois que l'outil est complètement arrêté. Si vous changez le sens de rotation avant l'arrêt de l'outil, vous risquez de l'endommager.

ATTENTION : Lorsque vous n'utilisez pas l'outil, placez toujours le levier de l'inverseur en position neutre.

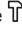
L'outil possède un inverseur qui permet de changer le sens de rotation. Enfoncez le levier de l'inverseur du côté A pour une rotation dans le sens des aiguilles d'une montre, ou du côté B pour une rotation dans le sens inverse des aiguilles d'une montre. La gâchette ne peut pas être enclenchée lorsque le levier de l'inverseur se trouve en position neutre.

Sélection du mode de fonctionnement

REMARQUE : Ne tournez pas le bouton de changement de mode pendant que l'outil fonctionne. L'outil serait endommagé.


REMARQUE : Pour éviter que le mécanisme de changement de mode ne s'use rapidement, vous devez toujours vous assurer que le bouton de changement de mode est placé avec exactitude sur l'une des trois positions du mode de fonctionnement.

Rotation avec martelage

Pour percer dans le béton, de la maçonnerie, etc., tournez le bouton de changement de mode jusqu'au symbole . Utilisez un foret à pointe en carbure de tungstène (accessoire en option).


► Fig.6: 1. Rotation avec martelage 2. Bouton de changement de mode

Rotation uniquement

Pour percer dans le bois, le métal ou des matériaux en plastique, tournez le bouton de changement de mode jusqu'au symbole . Utilisez un foret hélicoïdal ou à bois.

► Fig.7: 1. Rotation uniquement

Martelage uniquement

Pour le burinage, l'écaillage ou la démolition, tournez le bouton de changement de mode jusqu'au symbole . Utilisez un pic, un ciseau à froid, un ciseau à écailler, etc.

► Fig.8: 1. Martelage uniquement

Réglage de la position de la buse du système de collecte des poussières

Accessoire en option

Appuyez sur le guide tout en poussant vers le haut le bouton de réglage du guide, puis relâchez le bouton à la position souhaitée.

► Fig.9: 1. Guide 2. Bouton de réglage du guide

NOTE : Avant de régler la position de la buse, relâchez totalement la buse vers l'avant en poussant vers le haut le bouton de réglage du guide.

Réglage de la profondeur de perçage du système de collecte des poussières

Accessoire en option

Faites coulisser le bouton de réglage de la profondeur jusqu'à la position souhaitée en le poussant vers le haut. La distance (A) est la profondeur du perçage.

► Fig.10: 1. Bouton de réglage de la profondeur

Limiteur de couple

REMARQUE : Si le limiteur de couple se déclenche, éteignez immédiatement l'outil. Ceci permettra d'éviter l'usure prématurée de l'outil.

REMARQUE : Les forets, comme les scies cloches qui ont tendance à se coincer ou se prendre facilement dans le trou, ne sont pas appropriés pour cet outil. Ils déclenchent trop fréquemment le limiteur de couple.

Le limiteur de couple se déclenche lorsqu'un certain niveau de couple est atteint. Le moteur se dégage de l'arbre de sortie. Dans ce cas, le foret cesse de tourner.

Fonction électronique

L'outil est doté de fonctions électroniques pour en faciliter le fonctionnement.

- Contrôle de vitesse constante
La fonction de contrôle de la vitesse offre une vitesse de rotation constante quelles que soient les conditions de charge.

ASSEMBLAGE

ATTENTION : Assurez-vous toujours que l'outil est hors tension et que sa batterie est retirée avant d'effectuer toute tâche dessus.

Poignée latérale (poignée auxiliaire)

ATTENTION : Utilisez toujours la poignée latérale pour garantir votre sécurité.

ATTENTION : Après avoir mis en place ou réglé la poignée latérale, assurez-vous qu'elle est solidement fixée.

Installez la poignée latérale de sorte que les rainures de la poignée pénètrent dans les parties saillantes du barillet de l'outil. Tournez la poignée dans le sens des aiguilles d'une montre pour la serrer en place. La poignée peut être fixée à l'angle souhaité.

► Fig.11: 1. Poignée latérale

Graisse

Enduisez au préalable l'extrémité de la tige du foret avec une petite quantité de graisse (environ 0,5 à 1 g). Cette lubrification du mandrin garantit un mouvement fluide et prolonge la durée de vie utile.

Pose ou retrait du foret

Nettoyez l'extrémité de la tige du foret et appliquez de la graisse avant de poser le foret.

► Fig.12: 1. Extrémité de la tige 2. Graisse

Insérez le foret dans l'outil. Tournez le foret et enfoncez-le jusqu'à ce qu'il s'engage.

Après avoir posé le foret, assurez-vous toujours qu'il est solidement maintenu en place en essayant de le sortir.

► Fig.13: 1. Foret

Pour retirer le foret, tirez le carter du mandrin à fond vers le bas puis dégagez le foret.

► Fig.14: 1. Foret 2. Carter du mandrin

Angle du burin (lors du burinage, de l'écaillage ou de la démolition)

Le burin peut être fixé à l'angle souhaité. Pour changer l'angle du burin, tournez le bouton de changement de mode jusqu'au symbole O. Tournez le burin sur l'angle souhaité.

► Fig.15: 1. Bouton de changement de mode

Tournez le bouton de changement de mode jusqu'au symbole T. Puis assurez-vous toujours que le burin est solidement maintenu en place en le tournant légèrement.

Jauge de profondeur

La jauge de profondeur est utile pour percer des trous de même profondeur. Desserrez la poignée latérale et insérez la jauge de profondeur dans l'orifice sur la poignée latérale. Réglez la jauge de profondeur sur la profondeur désirée et serrez fermement la poignée latérale.

► Fig.16: 1. Orifice 2. Jauge de profondeur

NOTE : Assurez-vous que la jauge de profondeur n'entre pas en contact avec le corps principal de l'outil lorsque vous la fixez.

Installation ou retrait du système de collecte des poussières

Accessoire en option

Pour retirer le système de collecte des poussières, tirez sur l'outil tout en appuyant sur le bouton de déverrouillage. Pour l'installer, insérez à fond l'outil dans le système de collecte des poussières, jusqu'à ce qu'il s'enclenche en émettant un petit clic.

► **Fig.17:** 1. Bouton de déverrouillage

Collecteur de poussières

Accessoire en option

Utilisez le collecteur de poussières pour éviter que la poussière ne tombe sur l'outil et sur vous-même lorsque vous percez au-dessus de votre tête. Fixez le collecteur de poussières au foret comme illustré sur la figure. Le collecteur de poussières peut être fixé aux forets des tailles suivantes.

Modèle	Diamètre du foret
Collecteur de poussières 5	6 mm à 14,5 mm
Collecteur de poussières 9	12 mm à 16 mm

► **Fig.18:** 1. Collecteur de poussières

Ensemble du collecteur de poussières

Accessoire en option

Installation de l'ensemble du collecteur de poussières

REMARQUE : Si vous achetez l'ensemble du collecteur de poussières en tant qu'accessoire en option, la poignée latérale standard ne peut pas être utilisée avec l'ensemble du collecteur de poussières installé sur l'outil. Lorsque l'ensemble du collecteur de poussières est installé sur l'outil, retirez la poignée de la poignée latérale standard, puis fixez-la sur l'ensemble poignée en option.

► **Fig.19:** 1. Boulon 2. Poignée 3. Ensemble poignée en option

REMARQUE : N'utilisez pas l'ensemble du collecteur de poussières lorsque vous percez dans le métal ou un matériau similaire. Vous risqueriez d'endommager l'ensemble du collecteur de poussières en raison de la chaleur produite par les petites poussières métalliques ou similaires. N'installez pas, ni ne retirez l'ensemble du collecteur de poussières avec le foret inséré sur l'outil. Vous risqueriez d'endommager l'ensemble du collecteur de poussières et de provoquer une fuite de la poussière.

Avant d'installer l'ensemble du collecteur de poussières, retirez le foret de l'outil le cas échéant.

1. Installez l'entretoise de sorte que les rainures de l'entretoise pénètrent dans les parties saillantes du barillet de l'outil lorsque vous l'écartez. Prenez garde que le ressort ne se détache pas de la fente de l'entretoise.

► **Fig.20:** 1. Entretoise 2. Ressort

► **Fig.21**

2. Installez la poignée latérale (ensemble poignée en option et poignée retirée de la poignée latérale standard) de sorte que la rainure de la poignée pénètre dans la partie saillante de l'entretoise. Tournez la poignée dans le sens des aiguilles d'une montre pour la serrer en place.

► **Fig.22:** 1. Poignée latérale

3. Installez l'ensemble du collecteur de poussières de sorte que les griffes du collecteur de poussières pénètrent dans les fentes de l'entretoise.

► **Fig.23:** 1. Collecteur de poussières 2. Griffes

NOTE : Si vous raccordez un aspirateur à l'ensemble du collecteur de poussières, retirez le bouchon à poussière avant de le raccorder.

► **Fig.24:** 1. Bouchon à poussière

Retrait du foret

Pour retirer le foret, tirez le carter du mandrin à fond vers le bas puis dégagez le foret.

► **Fig.25:** 1. Foret 2. Carter du mandrin

Retrait de l'ensemble du collecteur de poussières

Procédez comme il est indiqué ci-dessous pour retirer l'ensemble du collecteur de poussières.

1. Desserrez la poignée latérale.

► **Fig.26:** 1. Poignée latérale

2. Tenez la base du collecteur de poussières et sortez-le.

► **Fig.27:** 1. Collecteur de poussières

NOTE : S'il s'avère difficile de retirer l'ensemble du collecteur de poussières, retirez les griffes du collecteur de poussières une par une en balançant et tirant sa base.

NOTE : Si le bouchon se détache du collecteur de poussières, fixez-le avec le côté imprimé tourné vers le haut de sorte que la rainure sur le bouchon s'insère dans la périphérie interne de l'accessoire.

► **Fig.28**

Crochet

Accessoire en option

ATTENTION : Retirez toujours la batterie lorsque l'outil est suspendu par son crochet.

ATTENTION : N'accrochez jamais l'outil dans un emplacement élevé ou sur une surface potentiellement instable.

► **Fig.29:** 1. Rainure 2. Crochet 3. Vis

Le crochet est pratique pour suspendre provisoirement l'outil. Il s'installe d'un côté comme de l'autre de l'outil. Pour installer le crochet, insérez-le dans une rainure du carter de l'outil sur l'un des deux côtés, puis fixez-le avec une vis. Pour le retirer, desserrez la vis et enlevez-le.

Porte-outil

Accessoire en option

⚠ ATTENTION : N'utilisez pas le porte-outil et la vis s'ils sont endommagés. Avant utilisation, vérifiez toujours l'absence de dommages, fissures ou déformations, et assurez-vous que la vis est bien serrée.

⚠ ATTENTION : Installez ou retirez le porte-outil sur une table ou une surface stable. Veillez à n'utiliser que la vis accompagnant le porte-outil. Après avoir installé le porte-outil, assurez-vous qu'il est solidement installé avec la vis.

⚠ ATTENTION : Ne retirez pas la batterie alors que l'outil est suspendu. L'outil pourrait tomber si la vis n'est pas serrée.

Le porte-outil est conçu pour raccorder la longe (sangle de retenue). Suivez les étapes ci-dessous pour installer le porte-outil.

1. Retirez la batterie de l'outil.
2. Fixez le porte-outil depuis le bas de l'outil comme illustré sur la figure.

► Fig.30

3. Insérez la partie saillante du porte-outil dans la rainure sur le côté gauche de l'outil.

► Fig.31: 1. Rainure 2. Saillie

NOTE : Le porte-outil ne peut être installé que dans le sens indiqué sur la figure.

4. Serrez fermement la vis.

► Fig.32: 1. Vis

UTILISATION

⚠ ATTENTION : Utilisez toujours la poignée latérale (poignée auxiliaire) et saisissez l'outil fermement par la poignée latérale et la poignée pistolet pendant l'utilisation.

⚠ ATTENTION : Avant l'utilisation, assurez-vous toujours que la pièce est bien fixée.

⚠ ATTENTION : Ne forcez pas pour extraire l'outil même si le foret est coincé. La perte de maîtrise est propice aux blessures.

⚠ ATTENTION : Le système de collecte des poussières est exclusivement conçu pour le perçage du béton. N'utilisez pas le système de collecte des poussières pour le perçage du métal ou du bois.

⚠ ATTENTION : Lorsque vous utilisez l'outil avec le système de collecte des poussières, veillez à y fixer le filtre pour éviter d'inhaler des poussières.

⚠ ATTENTION : Avant d'utiliser le système de collecte des poussières, vérifiez que le filtre n'est pas endommagé. Le non-respect de cette règle peut entraîner une inhalation de poussières.

⚠ ATTENTION : Bien que le système de collecte des poussières collecte en grande partie les poussières générées, toute la poussière ne peut pas être collectée.

REMARQUE : N'utilisez pas le système de collecte des poussières pour le perçage avec un trépan ou le burinage.

REMARQUE : N'utilisez pas le système de collecte des poussières pour le perçage dans du béton humide ou dans un environnement humide. Le non-respect de cette règle peut entraîner un dysfonctionnement.

NOTE : En cas de faible température de la batterie, l'outil risque de ne pas fonctionner à sa pleine capacité. Dans ce cas, chauffez la batterie en utilisant l'outil sans charge pendant un instant pour obtenir la pleine capacité de l'outil.

► Fig.33

Perçage avec percussion

⚠ ATTENTION : Une très grande force de torsion s'exerce soudainement sur l'outil ou le foret lorsqu'il émerge sur la face opposée, lorsque le trou est bouché par des copeaux ou particules ou lors du contact avec des armatures dans le béton. **Utilisez toujours la poignée latérale (poignée auxiliaire) et saisissez l'outil fermement par la poignée latérale et la poignée pistolet pendant l'utilisation.** Si vous ne suivez pas cette directive, vous risquez de perdre la maîtrise de l'outil et de vous blesser grièvement.


Réglez le bouton de changement de mode sur le symbole .

Placez le foret à l'emplacement désiré pour percer le trou, puis enclenchez la gâchette. Ne forcez pas l'outil. Vous obtiendrez de meilleurs résultats avec une légère pression. Gardez l'outil en position et empêchez-le de glisser hors du trou.

N'appliquez pas plus de pression lorsque le trou est bouché par des copeaux ou particules. Laissez plutôt l'outil tourner au ralenti et retirez partiellement le foret du trou. En répétant cette opération plusieurs fois, le trou se débouchera et vous pourrez reprendre le perçage normalement.

NOTE : Lorsque l'outil fonctionne à vide, il se peut que le foret tourne de manière excentrique. L'outil se centrera lui-même automatiquement lors de l'utilisation avec charge. La précision du perçage n'est donc pas affectée.

Burinage/Écaillage/Démolition

Réglez le bouton de changement de mode sur le symbole .

Tenez l'outil fermement à deux mains. Mettez l'outil sous tension et exercez une légère pression dessus de façon à en garder la maîtrise et à éviter qu'il ne saute d'un côté ou de l'autre.

Exercer une très grande pression sur l'outil n'augmentera pas l'efficacité de l'opération.

► Fig.34

Perçage dans le bois ou le métal

⚠ ATTENTION : Tenez l'outil fermement et redoublez d'attention lorsque le foret commence à sortir par la face opposée de la pièce. Une très grande force s'exerce sur l'outil/foret lorsque celui-ci émerge sur la face opposée.


⚠ ATTENTION : Un foret coincé peut être retiré en réglant simplement l'inverseur sur la rotation inverse pour faire marche arrière. L'outil peut toutefois faire brusquement marche arrière si vous ne le tenez pas fermement.

⚠ ATTENTION : Immobilisez toujours les pièces à travailler dans un étau ou un dispositif de retenue similaire.

REMARQUE : N'utilisez jamais la « rotation avec martelage » lorsque le mandrin à foret est installé sur l'outil. Le mandrin à foret risquerait d'être endommagé.

De plus, le mandrin à foret se détacherait lors de l'inversion de la rotation de l'outil.

REMARQUE : Une pression excessive sur l'outil n'accélérera pas le perçage. En fait, la pression excessive abîmera la pointe du foret, provoquera une baisse de rendement de l'outil et réduira sa durée de service.

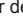
Réglez le bouton de changement de mode sur le symbole .

Fixez l'adaptateur de mandrin sur un mandrin à foret sans clé sur lequel peut être installée une vis de type 1/2"-20, puis installez-les sur l'outil. Pour l'installer, reportez-vous à la section « Pose ou retrait du foret ».

► **Fig.35:** 1. Ensemble mandrin à foret 2. Adaptateur de mandrin

Perçage avec trépan diamant

REMARQUE : Percer avec un trépan diamant en mode « Rotation avec martelage » peut endommager le trépan diamant.

Pour percer avec un trépan diamant, réglez toujours le levier de changement sur la position  afin d'utiliser le mode « Rotation uniquement ».

Batte la poussière sur le filtre

Accessoire en option

⚠ ATTENTION : Ne tournez pas le cadran sur le logement à poussières alors que le logement à poussières est détaché du système de collecte des poussières. Vous risqueriez d'inhaler la poussière.

⚠ ATTENTION : Éteignez toujours l'outil lorsque vous tournez le cadran sur le logement à poussières. Si vous tournez le cadran alors que l'outil fonctionne, vous risquez de perdre la maîtrise de l'outil.

En battant la poussière sur le filtre à l'intérieur du logement à poussières, vous pouvez conserver l'efficacité de l'aspiration et également réduire le nombre de retraits de la poussière.

Tournez le cadran sur le logement à poussières trois fois après avoir recueilli 50 000 mm³ de poussière ou lorsque vous trouvez que la performance d'aspiration a diminué.

NOTE : 50 000 mm³ de poussière est équivalent au perçage de 10 orifices de 10 mm de diamètre et 65 mm de profondeur (14 orifices de 3/8" de diamètre et 2" de profondeur).

► **Fig.36:** 1. Logement à poussières 2. Cadran

Élimination des poussières

Accessoire en option

⚠ ATTENTION : Assurez-vous toujours que l'outil est hors tension et que sa batterie est retirée avant d'effectuer toute tâche dessus.

⚠ ATTENTION : Veillez à porter un masque anti-poussière lorsque vous éliminez les poussières.

⚠ ATTENTION : Videz régulièrement le logement à poussières avant qu'il soit plein. Le non-respect de cette règle peut réduire les performances de collecte des poussières et entraîner une inhalation des poussières.

⚠ ATTENTION : Les performances de la collecte des poussières réduisent si le filtre présent dans le logement à poussières est obstrué. Pour référence, remplacez le filtre par un filtre neuf après environ 200 remplissages. Le non-respect de cette règle peut entraîner une inhalation de poussières.

1. Retirez le logement à poussières en appuyant sur son levier.

► **Fig.37:** 1. Levier

2. Ouvrez le couvercle du logement à poussières.

► **Fig.38:** 1. Couvercle

3. Éliminez la poussière, puis nettoyez le filtre.

► **Fig.39**

REMARQUE : Pendant le nettoyage du filtre, ne touchez pas le filtre avec une brosse ou un objet similaire, ou ne soufflez pas de l'air comprimé sur le filtre. Cela peut détériorer le filtre.

Poire soufflante

Accessoire en option

Une fois le trou percé, utilisez la poire soufflante pour en retirer la poussière.

► **Fig.40**

Utilisation de l'ensemble du collecteur de poussières

Accessoire en option

Appuyez l'ensemble du collecteur de poussières contre le plafond lorsque vous utilisez l'outil.

► Fig.41

REMARQUE : N'utilisez pas l'ensemble du collecteur de poussières pour le perçage du métal ou d'une matière similaire. Cela pourrait détériorer l'ensemble du collecteur de poussières en raison de la chaleur générée par les petites poussières métalliques ou similaires.

REMARQUE : N'installez pas ou ne retirez pas l'ensemble du collecteur de poussières avec le foret installé dans l'outil. Cela pourrait détériorer l'ensemble du collecteur de poussières et entraîner une fuite des poussières.

Raccordement de la longe (sangle de retenue) au porte-outil

⚠ Consignes de sécurité spécifiques à l'utilisation en hauteur

Lisez toutes les consignes de sécurité et instructions. Le non-respect des avertissements et instructions peut entraîner de graves blessures.

1. **L'outil doit toujours être attaché lorsque vous travaillez en hauteur.** La longueur maximum de la longe est de 2 m.
2. **Utilisez uniquement des longes convenant à ce type d'outil et conçues pour supporter au moins 4,5 kg.**
3. **N'accrochez pas la longe de l'outil à quoi que ce soit sur votre corps ou à des éléments mobiles.** Accrochez la longe de l'outil à une structure rigide capable de supporter la force exercée par la chute d'un outil.
4. **Assurez-vous que la longe est correctement fixée à chaque extrémité avant utilisation.**
5. **Vérifiez que l'outil et la longe ne sont pas endommagés et fonctionnent correctement avant chaque utilisation (y compris le tissu et les coutures).** Ne les utilisez pas s'ils sont endommagés ou fonctionnent mal.
6. **N'enroulez pas les longes autour de bords rugueux ou coupants, ni ne les laissez entrer en contact avec des bords rugueux ou coupants.**
7. **Serrez l'autre extrémité de la longe en dehors de l'espace de travail de sorte qu'un outil tombant soit retenu en sécurité.**
8. **Fixez la longe de sorte que l'outil s'éloigne de l'utilisateur en cas de chute.** Les outils tombés se balanceront sur la longe, ce qui pourrait provoquer des blessures ou une perte d'équilibre.
9. **Ne les utilisez pas à proximité de pièces en mouvement ou de machines en fonctionnement.** Le non-respect de cette précaution présente un risque d'écrasement ou d'enchevêtrement.

10. **Ne transportez pas l'outil en le tenant par le dispositif de fixation ou la longe.**
11. **Faites passer l'outil d'une main à l'autre uniquement si vous avez un bon équilibre.**
12. **Ne fixez pas les longes à l'outil d'une manière qui empêche les commutateurs ou le verrouillage de la gâchette (le cas échéant) de fonctionner correctement.**
13. **Évitez de vous empêtrer dans la longe.**
14. **Éloignez la longe de la zone de perçage de l'outil.**
15. **Utilisez des mousquetons à bague vissée et à ouverture double ou triple action. N'utilisez pas de mousquetons à ressort à ouverture action unique.**
16. **Si l'outil tombe, il doit être marqué et mis hors service, puis être confié à une usine Makita ou à un centre de service après-vente Makita agréé pour inspection.**

► Fig.42: 1. Porte-outil 2. Longe (sangle de retenue)

FONCTION D'ACTIVATION SANS FIL

Accessoire en option

À quoi sert la fonction d'activation sans fil

La fonction d'activation sans fil offre un fonctionnement propre et confortable. En raccordant un aspirateur compatible à l'outil, vous pouvez déclencher automatiquement l'aspirateur en utilisant l'interrupteur de l'outil.

► Fig.43

Pour utiliser la fonction d'activation sans fil, préparez les éléments suivants :

- Un connecteur sans fil (accessoire en option)
- Un aspirateur compatible avec la fonction d'activation sans fil

Vous trouverez ci-après une vue d'ensemble de la fonction d'activation sans fil. Consultez chaque section pour en savoir plus sur la marche à suivre.

1. Installation du connecteur sans fil
2. Enregistrement de l'outil pour l'aspirateur
3. Démarrage de la fonction d'activation sans fil

Installation du connecteur sans fil

Accessoire en option

⚠ ATTENTION : Placez l'outil sur une surface plane et stable pour y installer le connecteur sans fil.

REMARQUE : Retirez la poussière et la saleté sur l'outil avant d'installer le connecteur sans fil. La poussière ou la saleté peuvent provoquer des dysfonctionnements si elles pénètrent dans la fente sur le connecteur sans fil.

REMARQUE : Pour éviter un dysfonctionnement provoqué par l'électricité statique, touchez un matériau conducteur comme la partie métallique de l'outil, avant de prendre dans vos mains le connecteur sans fil.

REMARQUE : Lorsque vous installez le connecteur sans fil, veillez toujours à l'insérer dans le bon sens et assurez-vous que le couvercle est complètement fermé.

1. Ouvrez le couvercle sur l'outil comme illustré sur la figure.

► **Fig.44:** 1. Couvercle

2. Insérez le connecteur sans fil dans la fente, puis refermez le couvercle.

Lors de l'insertion du connecteur sans fil, alignez les parties saillantes avec les parties creuses sur la fente.

► **Fig.45:** 1. Connecteur sans fil 2. Partie saillante 3. Couvercle 4. Partie creuse

Pour retirer le connecteur sans fil, ouvrez lentement le couvercle. Les crochets au dos du couvercle soulèveront le connecteur sans fil à mesure que vous tirez le couvercle vers le haut.

► **Fig.46:** 1. Connecteur sans fil 2. Crochet 3. Couvercle

Après avoir retiré le connecteur sans fil, gardez-le dans l'étui fourni ou dans un récipient anti-statique.

REMARQUE : Utilisez toujours les crochets au dos du couvercle lorsque vous retirez le connecteur sans fil. Si les crochets ne s'attachent pas au connecteur sans fil, fermez complètement le couvercle, puis rouvrez-le lentement.

Enregistrement de l'outil pour l'aspirateur

NOTE : Un aspirateur Makita compatible avec la fonction d'activation sans fil est nécessaire pour l'enregistrement de l'outil.

NOTE : Terminez la mise en place du connecteur sans fil sur l'outil avant de commencer l'enregistrement de l'outil.

NOTE : Pendant l'enregistrement de l'outil, n'enclenchez pas la gâchette, ni ne mettez sous tension l'aspirateur.

NOTE : Consultez aussi le mode d'emploi de l'aspirateur.

Si vous souhaitez activer l'aspirateur en utilisant l'interrupteur de l'outil, terminez d'abord l'enregistrement de l'outil.

1. Insérez les batteries dans l'aspirateur et l'outil.

2. Placez le bouton de veille de l'aspirateur sur « AUTO ».

► **Fig.47:** 1. Bouton de veille

3. Appuyez sur le bouton d'activation sans fil de l'aspirateur pendant 3 secondes jusqu'à ce que le témoin d'activation sans fil clignote en vert. Puis appuyez sur le bouton d'activation sans fil de l'outil de la même façon.

► **Fig.48:** 1. Bouton d'activation sans fil 2. Témoin d'activation sans fil

Si la liaison entre l'aspirateur et l'outil est réussie, les témoins d'activation sans fil s'allumeront en vert pendant 2 secondes et se mettront à clignoter en bleu.

NOTE : Les témoins d'activation sans fil cessent de clignoter en vert au bout de 20 secondes. Appuyez sur le bouton d'activation sans fil de l'outil pendant que le témoin d'activation sans fil de l'aspirateur clignote. Si le témoin d'activation sans fil ne clignote pas en vert, appuyez brièvement sur le bouton d'activation sans fil et maintenez-le à nouveau enfoncé.

NOTE : Si vous effectuez plus de deux enregistrements d'outils pour un seul aspirateur, terminez-les l'un après l'autre.

Démarrage de la fonction d'activation sans fil

NOTE : Terminez l'enregistrement de l'outil pour l'aspirateur avant l'activation sans fil.

NOTE : Consultez aussi le mode d'emploi de l'aspirateur.

Après avoir enregistré un outil sur l'aspirateur, ce dernier se déclenchera automatiquement en utilisant l'interrupteur de l'outil.

1. Installez le connecteur sans fil sur l'outil.

2. Raccordez le tuyau de l'aspirateur à l'outil.

► **Fig.49**

3. Placez le bouton de veille de l'aspirateur sur « AUTO ».

► **Fig.50:** 1. Bouton de veille

4. Appuyez brièvement sur le bouton d'activation sans fil sur l'outil. Le témoin d'activation sans fil clignote en bleu.

► **Fig.51:** 1. Bouton d'activation sans fil 2. Témoin d'activation sans fil

5. Enclenchez la gâchette de l'outil. Vérifiez que l'aspirateur fonctionne alors que la gâchette est enclenchée.

Pour arrêter l'activation sans fil de l'aspirateur, appuyez sur le bouton d'activation sans fil de l'outil.

NOTE : Le témoin d'activation sans fil de l'outil cessera de clignoter en bleu en l'absence d'opérations pendant 2 heures. Dans ce cas, placez le bouton de veille de l'aspirateur sur « AUTO » et appuyez à nouveau sur le bouton d'activation sans fil de l'outil.

NOTE : L'aspirateur démarre/s'arrête avec un léger retard. Il y a un décalage lorsque l'aspirateur détecte l'utilisation de l'interrupteur de l'outil.










NOTE : La distance de transmission du connecteur sans fil peut varier selon l'emplacement et les conditions environnantes.

NOTE : Si plus de deux outils sont enregistrés sur un aspirateur, ce dernier peut se mettre en marche sans que vous enclenchiez la gâchette, car un autre utilisateur emploie la fonction d'activation sans fil.

Description du statut du témoin d'activation sans fil

► Fig.52: 1. Témoin d'activation sans fil

Le témoin d'activation sans fil indique le statut de la fonction d'activation sans fil. Consultez le tableau ci-dessous pour la signification du statut du témoin.

Statut	Témoin d'activation sans fil			Durée	Description
	Couleur	 Allumé	 Clignotant		
Veille	Bleu			2 heures	L'activation sans fil de l'aspirateur est disponible. Le témoin s'éteint automatiquement en l'absence d'opérations pendant 2 heures.
				Pendant le fonctionnement de l'outil.	L'activation sans fil de l'aspirateur est disponible et l'outil fonctionne.
Enregistrement de l'outil	Vert			20 secondes	Prêt pour l'enregistrement de l'outil. En attente d'enregistrement par l'aspirateur.
				2 secondes	L'enregistrement de l'outil est terminé. Le témoin d'activation sans fil se met à clignoter en bleu.
Annulation de l'enregistrement de l'outil	Rouge			20 secondes	Prêt pour l'annulation de l'enregistrement de l'outil. En attente d'annulation par l'aspirateur.
				2 secondes	L'annulation de l'enregistrement de l'outil est terminée. Le témoin d'activation sans fil se met à clignoter en bleu.
Autres	Rouge			3 secondes	Le connecteur sans fil est alimenté en électricité et la fonction d'activation sans fil démarre.
	Éteint	-		-	L'activation sans fil de l'aspirateur est arrêtée.

Annulation de l'enregistrement de l'outil pour l'aspirateur

Procédez comme indiqué ci-après pour annuler l'enregistrement de l'outil pour l'aspirateur.

1. Insérez les batteries dans l'aspirateur et l'outil.
2. Placez le bouton de veille de l'aspirateur sur « AUTO ».

► Fig.53: 1. Bouton de veille

3. Appuyez sur le bouton d'activation sans fil de l'aspirateur pendant 6 secondes. Le témoin d'activation sans fil clignote en vert, puis devient rouge. Après cela, appuyez sur le bouton d'activation sans fil de l'outil de la même façon.

► Fig.54: 1. Bouton d'activation sans fil 2. Témoin d'activation sans fil

Si l'annulation est réussie, les témoins d'activation sans fil s'allumeront en rouge pendant 2 secondes et se mettront à clignoter en bleu.

NOTE : Les témoins d'activation sans fil arrêtent de clignoter en rouge au bout de 20 secondes. Appuyez sur le bouton d'activation sans fil de l'outil pendant que le témoin d'activation sans fil de l'aspirateur clignote. Si le témoin d'activation sans fil ne clignote pas en rouge, appuyez brièvement sur le bouton d'activation sans fil et maintenez-le à nouveau enfoncé.

Guide de dépannage de la fonction d'activation sans fil

Avant de faire une demande de réparation, effectuez d'abord vous-même une inspection. Si vous rencontrez un problème non documenté dans le mode d'emploi, n'essayez pas de démonter l'outil. Demandez plutôt à un centre de service après-vente Makita agréé d'effectuer la réparation au moyen de pièces de rechange Makita.

État d'anomalie	Cause probable (dysfonctionnement)	Solution
Le témoin d'activation sans fil ne s'allume pas ou ne clignote pas.	Le connecteur sans fil n'est pas installé sur l'outil. Le connecteur sans fil est mal installé sur l'outil.	Installez correctement le connecteur sans fil.
	La borne du connecteur sans fil et/ou la fente sont sales.	Essayez délicatement la poussière et la saleté sur la borne du connecteur sans fil et nettoyez la fente.
	Le bouton d'activation sans fil de l'outil n'a pas été enfoncé.	Appuyez brièvement sur le bouton d'activation sans fil sur l'outil.
	Le bouton de veille de l'aspirateur n'est pas placé sur « AUTO ».	Placez le bouton de veille de l'aspirateur sur « AUTO ».
	Pas d'alimentation électrique	Mettez sous tension l'outil électrique et l'aspirateur.
Impossible de terminer correctement l'enregistrement de l'outil/l'annulation de l'enregistrement de l'outil.	Le connecteur sans fil n'est pas installé sur l'outil. Le connecteur sans fil est mal installé sur l'outil.	Installez correctement le connecteur sans fil.
	La borne du connecteur sans fil et/ou la fente sont sales.	Essayez délicatement la poussière et la saleté sur la borne du connecteur sans fil et nettoyez la fente.
	Le bouton de veille de l'aspirateur n'est pas placé sur « AUTO ».	Placez le bouton de veille de l'aspirateur sur « AUTO ».
	Pas d'alimentation électrique	Mettez sous tension l'outil électrique et l'aspirateur.
	Fonctionnement incorrect	Appuyez brièvement sur le bouton d'activation sans fil et recommencez l'enregistrement de l'outil/l'annulation de l'enregistrement de l'outil.
	L'outil et l'aspirateur sont éloignés l'un de l'autre (hors de la portée de transmission).	Rapprochez l'outil de l'aspirateur. La distance de transmission maximum est d'environ 10 m, toutefois elle peut varier selon les circonstances.
	Avant de finir l'enregistrement de l'outil/l'annulation de l'enregistrement de l'outil : - la gâchette de l'outil est enclenchée ou ; - le bouton d'alimentation de l'aspirateur est placé sur Marche.	Appuyez brièvement sur le bouton d'activation sans fil et recommencez l'enregistrement de l'outil/l'annulation de l'enregistrement de l'outil.
	Les procédures d'enregistrement de l'outil pour l'outil ou l'aspirateur ne sont pas terminées.	Procédez à l'enregistrement de l'outil à la fois pour l'outil et l'aspirateur en même temps.
L'aspirateur ne se met pas en marche avec l'utilisation de l'interrupteur de l'outil.	Le connecteur sans fil n'est pas installé sur l'outil. Le connecteur sans fil est mal installé sur l'outil.	Installez correctement le connecteur sans fil.
	La borne du connecteur sans fil et/ou la fente sont sales.	Essayez délicatement la poussière et la saleté sur la borne du connecteur sans fil et nettoyez la fente.
	Le bouton d'activation sans fil de l'outil n'a pas été enfoncé.	Appuyez brièvement sur le bouton d'activation sans fil et assurez-vous que le témoin d'activation sans fil clignote en bleu.
	Le bouton de veille de l'aspirateur n'est pas placé sur « AUTO ».	Placez le bouton de veille de l'aspirateur sur « AUTO ».
	Plus de 10 outils sont enregistrés sur l'aspirateur.	Recommencez l'enregistrement de l'outil. Si plus de 10 outils sont enregistrés sur l'aspirateur, l'outil enregistré le plus tôt sera automatiquement annulé.
	L'aspirateur a effacé tous les enregistrements d'outils.	Recommencez l'enregistrement de l'outil.
	Pas d'alimentation électrique	Mettez sous tension l'outil électrique et l'aspirateur.
	L'outil et l'aspirateur sont éloignés l'un de l'autre (hors de la portée de transmission). Interférence radio d'autres appareils qui génèrent des ondes radio puissantes.	Rapprochez l'outil de l'aspirateur. La distance de transmission maximum est d'environ 10 m, toutefois elle peut varier selon les circonstances. Maintenez l'outil et l'aspirateur à l'écart des appareils comme des appareils Wi-Fi et des fours à micro-ondes.
L'aspirateur fonctionne alors que la gâchette de l'outil n'est pas enclenchée.	D'autres utilisateurs emploient la fonction d'activation sans fil de l'aspirateur avec leurs outils.	Placez le bouton d'activation sans fil des autres outils sur Arrêt ou annulez l'enregistrement de l'outil des autres outils.

ENTRETIEN

⚠ ATTENTION : Assurez-vous toujours que l'outil est hors tension et que la batterie est retirée avant d'y effectuer tout travail d'inspection ou d'entretien.

REMARQUE : N'utilisez jamais d'essence, benzine, diluant, alcool ou autre produit similaire. Cela risquerait de provoquer la décoloration, la déformation ou la fissuration de l'outil.

Pour assurer la SÉCURITÉ et la FIABILITÉ du produit, toute réparation, tout travail d'entretien ou de réglage doivent être effectués par un centre d'entretien Makita agréé, avec des pièces de rechange Makita.

Remplacement du filtre du logement à poussières

Accessoire en option

- Retirez le logement à poussières en appuyant sur son levier.
► **Fig.55:** 1. Levier
- Insérez un tournevis à lame plate dans les encoches du couvercle du filtre pour retirer le couvercle du filtre.
► **Fig.56:** 1. Tournevis à lame plate 2. Couvercle du filtre
- Retirez le filtre de son logement.
► **Fig.57:** 1. Filtre 2. Logement du filtre
- Fixez un nouveau filtre sur le logement du filtre, puis fixez le couvercle du filtre.
- Fermez le couvercle du logement à poussières, puis fixez celui-ci au système de collecte des poussières.

Remplacement du bouchon hermétique

Accessoire en option

- Si le bouchon hermétique a subi une usure, les performances de collecte des poussières baissent. S'il est usé, remplacez-le.
- Retirez le bouchon hermétique, puis fixez-en un nouveau en positionnant la saillie vers le haut.
- **Fig.58:** 1. Saillie 2. Bouchon hermétique

ACCESSOIRES EN OPTION

⚠ ATTENTION : Ces accessoires ou pièces complémentaires sont recommandés pour l'utilisation avec l'outil Makita spécifié dans ce mode d'emploi. L'utilisation de tout autre accessoire ou pièce complémentaire peut comporter un risque de blessure. N'utilisez les accessoires ou pièces complémentaires qu'aux fins auxquelles ils ont été conçus.

Pour obtenir plus de détails sur ces accessoires, contactez votre centre d'entretien local Makita.

- Forets à pointe de carbure (forets à pointe de carbure SDS-plus)
- Trépan
- Pic
- Trépan diamant
- Ciseau à froid
- Ciseau à écailler
- Ciseau à rainurer
- Adaptateur de mandrin
- Mandrin à foret sans clé
- Graisse à foret
- Jauge de profondeur
- Poire soufflante
- Collecteur de poussières
- Ensemble du collecteur de poussières
- Système de collecte des poussières
- Connecteur sans fil
- Crochet
- Porte-outil
- Batterie et chargeur Makita d'origine
- Lunettes de sécurité
- Étui de transport en plastique

NOTE : Il se peut que certains éléments de la liste soient compris dans l'emballage de l'outil en tant qu'accessoires standard. Ils peuvent varier d'un pays à l'autre.

TECHNISCHE DATEN

Modell:		DHR182
Kapazitäten	Beton	18 mm
	Bohrkrone	35 mm
	Diamant-Bohrkrone (Trockentyp)	32 mm
	Stahl	13 mm
	Holz	24 mm
Leerlaufdrehzahl		0 - 1.350 min ⁻¹
Schlagzahl pro Minute		0 - 5.000 min ⁻¹
Gesamtlänge		301 mm
Nennspannung		18 V Gleichstrom
Nettogewicht		2,4 - 3,2 kg

Sonderzubehör

Modell:		DX05
Saugleistung		250 l/min
Betriebshub		Bis zu 90 mm
Geeigneter Bohrerereinsatz		Bis zu 160 mm
Nettogewicht		0,9 kg

- Wir behalten uns vor, Änderungen der technischen Daten im Zuge der Entwicklung und des technischen Fortschritts ohne vorherige Ankündigung vorzunehmen.
- Die technischen Daten und der Akku können von Land zu Land unterschiedlich sein.
- Das Gewicht kann abhängig von dem Aufsatz (den Aufsätzen), einschließlich des Akkus, unterschiedlich sein. Die leichteste und die schwerste Kombination, gemäß dem EPTA-Verfahren 01/2014, sind in der Tabelle angegeben.

Zutreffende Akkus

BL1815N / BL1820 / BL1820B / BL1830 / BL1830B / BL1840 / BL1840B / BL1850 / BL1850B / BL1860B

- Einige der oben aufgelisteten Akkus sind je nach Ihrem Wohngebiet eventuell nicht erhältlich.

⚠️ WARNUNG: Verwenden Sie nur die oben aufgeführten Akkus. Bei Verwendung irgendwelcher anderer Akkus besteht Verletzungs- und/oder Brandgefahr.

Vorgesehene Verwendung

Das Werkzeug ist für Schlagbohren und Bohren in Ziegel, Beton und Stein sowie für Stemmarbeiten vorgesehen.

Es eignet sich auch für normales Bohren in Holz, Metall, Keramik und Kunststoff.

Geräusch

Typischer A-bewerteter Geräuschpegel ermittelt gemäß EN60745-2-6:

Modell DHR182

Schalldruckpegel (L_{pA}): 89 dB (A)
 Schalleistungspegel (L_{WA}): 100 dB (A)
 Messunsicherheit (K): 3 dB (A)

Modell DHR182 mit DX05

Schalldruckpegel (L_{pA}): 90 dB (A)
 Schalleistungspegel (L_{WA}): 101 dB (A)
 Messunsicherheit (K): 3 dB (A)

HINWEIS: Der (Die) angegebene(n) Schallemissionswert(e) wurde(n) im Einklang mit der Standardprüfmethode gemessen und kann (können) für den Vergleich zwischen Werkzeugen herangezogen werden.

HINWEIS: Der (Die) angegebene(n) Schallemissionswert(e) kann (können) auch für eine Vorbewertung des Gefährdungsgrads verwendet werden.

⚠️ WARNUNG: Einen Gehörschutz tragen.

⚠️ WARNUNG: Die Schallemission während der tatsächlichen Benutzung des Elektrowerkzeugs kann je nach der Benutzungsweise des Werkzeugs, und speziell je nach der Art des bearbeiteten Werkstücks, von dem (den) angegebenen Wert(en) abweichen.

⚠️ WARNUNG: Identifizieren Sie Sicherheitsmaßnahmen zum Schutz des Benutzers anhand einer Schätzung des Gefährdungsgrads unter den tatsächlichen Benutzungsbedingungen (unter Berücksichtigung aller Phasen des Arbeitszyklus, wie z. B. Ausschalt- und Leerlaufzeiten des Werkzeugs zusätzlich zur Betriebszeit).

Schwingungen

Die folgende Tabelle zeigt den gemäß dem zutreffenden Standard ermittelten Vibrationsgesamtwert (Drei-Achsen-Vektorsumme).

Arbeitsmodus	Vibrationsemission	Messunsicherheit (K)	Zutreffender Standard
Hammerbohren in Beton ($a_{h, HD}$)	11,0 m/s ²	1,5 m/s ²	EN60745-2-6
Hammerbohren in Beton mit DX05 ($a_{h, HD}$)	11,0 m/s ²	1,5 m/s ²	EN60745-2-6
Meißelfunktion mit Seitengriff ($a_{h, Chex}$)	9,0 m/s ²	1,5 m/s ²	EN60745-2-6
Bohren in Metall ($a_{h, D}$)	2,5 m/s ²	1,5 m/s ²	EN60745-2-1

HINWEIS: Der (Die) angegebene(n) Vibrationsgesamtwert(e) wurde(n) im Einklang mit der Standardprüfmethode gemessen und kann (können) für den Vergleich zwischen Werkzeugen herangezogen werden.

HINWEIS: Der (Die) angegebene(n) Vibrationsgesamtwert(e) kann (können) auch für eine Vorbewertung des Gefährdungsgrads verwendet werden.

⚠️ WARNUNG: Die Vibrationsemission während der tatsächlichen Benutzung des Elektrowerkzeugs kann je nach der Benutzungsweise des Werkzeugs, und speziell je nach der Art des bearbeiteten Werkstücks, von dem (den) angegebenen Emissionswert(en) abweichen.

⚠️ WARNUNG: Identifizieren Sie Sicherheitsmaßnahmen zum Schutz des Benutzers anhand einer Schätzung des Gefährdungsgrads unter den tatsächlichen Benutzungsbedingungen (unter Berücksichtigung aller Phasen des Arbeitszyklus, wie z. B. Ausschalt- und Leerlaufzeiten des Werkzeugs zusätzlich zur Betriebszeit).

EG-Konformitätserklärung

Nur für europäische Länder

Die EG-Konformitätserklärung ist als Anhang A in dieser Bedienungsanleitung enthalten.

SICHERHEITSWARNUNGEN

Allgemeine Sicherheitswarnungen für Elektrowerkzeuge

⚠️ WARNUNG: Lesen Sie alle mit diesem Elektrowerkzeug gelieferten Sicherheitswarnungen, Anweisungen, Abbildungen und technischen Daten durch. Eine Missachtung der unten aufgeführten Anweisungen kann zu einem elektrischen Schlag, Brand und/oder schweren Verletzungen führen.

Bewahren Sie alle Warnungen und Anweisungen für spätere Bezugnahme auf.

Der Ausdruck „Elektrowerkzeug“ in den Warnhinweisen bezieht sich auf Ihr mit Netzstrom (mit Kabel) oder Akku (ohne Kabel) betriebenes Elektrowerkzeug.

SICHERHEITSWARNUNGEN FÜR AKKU-BOHRHAMMER

1. **Tragen Sie Gehörschützer.** Lärmeinwirkung kann Gehörschädigung verursachen.
2. **Benutzen Sie (einen) Zusatzgriff(e), sofern er (sie) mit dem Werkzeug geliefert wurde(n).** Verlust der Kontrolle kann Personenschäden verursachen.

3. **Halten Sie das Elektrowerkzeug an den isolierten Griffflächen, wenn Sie Arbeiten ausführen, bei denen die Gefahr besteht, dass das Schneidwerkzeug verborgene Kabel kontaktiert.** Bei Kontakt mit einem Strom führenden Kabel können die freiliegenden Metallteile des Elektrowerkzeugs ebenfalls Strom führend werden, so dass der Benutzer einen elektrischen Schlag erleiden kann.
4. **Tragen Sie Schutzhelm, Schutzbrille und/oder Gesichtsschutz. Eine gewöhnliche Brille oder Sonnenbrille ist KEIN Ersatz für eine Schutzbrille.** Das Tragen einer Staubmaske und dick gepolsterter Handschuhe ist ebenfalls zu empfehlen.
5. **Vergewissern Sie sich vor der Arbeit, dass der Einsatz sicher montiert ist.**
6. **Das Werkzeug erzeugt konstruktionsbedingt Vibrationen bei normalem Betrieb. Durch Lockerung von Schrauben kann es zu einem Ausfall oder Unfall kommen. Unterziehen Sie die Schrauben vor der Arbeit einer sorgfältigen Festigkeitsprüfung.**
7. **Lassen Sie das Werkzeug bei niedrigen Temperaturen oder nach längerer Nichtbenutzung eine Zeit lang im Leerlauf warm laufen. Dadurch wird die Schmierung verbessert. Betrieb im kalten Zustand erschwert die Schlagbohrarbeit.**
8. **Achten Sie stets auf sicheren Stand. Vergewissern Sie sich bei Einsatz des Werkzeugs an hochgelegenen Arbeitsplätzen, dass sich keine Personen darunter aufhalten.**
9. **Halten Sie das Werkzeug mit beiden Händen fest.**
10. **Halten Sie Ihre Hände von beweglichen Teilen fern.**
11. **Lassen Sie das Werkzeug nicht unbeaufsichtigt laufen. Benutzen Sie das Werkzeug nur mit Handhaltung.**
12. **Richten Sie das Werkzeug während des Betriebs nicht auf umstehende Personen. Der Einsatz könnte herausschnellen und schwere Verletzungen verursachen.**

13. Vermeiden Sie eine Berührung des Einsatzes, der umliegenden Teile oder des Werkstücks unmittelbar nach der Bearbeitung, weil die Teile noch sehr heiß sind und Hautverbrennungen verursachen können.
14. Manche Materialien können giftige Chemikalien enthalten. Treffen Sie Vorsichtsmaßnahmen, um das Einatmen von Arbeitsstaub und Hautkontakt zu verhüten. Befolgen Sie die Sicherheitsdaten des Materiallieferanten.
15. Vergewissern Sie sich stets, das Werkzeug ausgeschaltet ist und der Akku und der Einsatz abgenommen sind, bevor Sie das Werkzeug einer anderen Person aushändigen.
10. Die enthaltenen Lithium-Ionen-Akkus unterliegen den Anforderungen der Gefahrgut-Gesetzgebung. Für kommerzielle Transporte, z. B. durch Dritte oder Spediteure, müssen besondere Anforderungen zu Verpackung und Etikettierung beachtet werden. Zur Vorbereitung des zu transportierenden Artikels ist eine Beratung durch einen Experten für Gefahrgut erforderlich. Bitte beachten Sie möglicherweise ausführlichere nationale Vorschriften. Überleben oder verdecken Sie offene Kontakte, und verpacken Sie den Akku so, dass er sich in der Verpackung nicht umher bewegen kann.

DIESE ANWEISUNGEN AUFBEWAHREN.

⚠️ WARNUNG: Lassen Sie sich NICHT durch Bequemlichkeit oder Vertrautheit mit dem Produkt (durch wiederholten Gebrauch erworben) von der strikten Einhaltung der Sicherheitsregeln für das vorliegende Produkt abhalten. MISSBRAUCH oder Missachtung der Sicherheitsvorschriften in dieser Anleitung können schwere Verletzungen verursachen.

Wichtige Sicherheitsanweisungen für Akku

1. Lesen Sie vor der Benutzung des Akkus alle Anweisungen und Warnhinweise, die an (1) Ladegerät, (2) Akku und (3) Akkuwerkzeug angebracht sind.
2. Unterlassen Sie ein Zerlegen des Akkus.
3. Falls die Betriebszeit beträchtlich kürzer geworden ist, stellen Sie den Betrieb sofort ein. Anderenfalls besteht die Gefahr von Überhitzung, möglichen Verbrennungen und sogar einer Explosion.
4. Falls Elektrolyt in Ihre Augen gelangt, waschen Sie sie mit sauberem Wasser aus, und begeben Sie sich unverzüglich in ärztliche Behandlung. Anderenfalls können Sie Ihre Sehkraft verlieren.
5. Der Akku darf nicht kurzgeschlossen werden:
 - (1) Die Kontakte dürfen nicht mit leitfähigem Material berührt werden.
 - (2) Lagern Sie den Akku nicht in einem Behälter zusammen mit anderen Metallgegenständen, wie z. B. Nägel, Münzen usw.
 - (3) Setzen Sie den Akku weder Wasser noch Regen aus.

Ein Kurzschluss des Akkus verursacht starken Stromfluss, der Überhitzung, mögliche Verbrennungen und einen Defekt zur Folge haben kann.
6. Lagern Sie das Werkzeug und den Akku nicht an Orten, an denen die Temperatur 50 °C erreichen oder überschreiten kann.
7. Versuchen Sie niemals, den Akku zu verbrennen, selbst wenn er stark beschädigt oder vollkommen verbraucht ist. Der Akku kann im Feuer explodieren.
8. Achten Sie darauf, dass der Akku nicht fallen gelassen oder Stößen ausgesetzt wird.
9. Benutzen Sie keine beschädigten Akkus.

DIESE ANWEISUNGEN AUFBEWAHREN.

⚠️ VORSICHT: Verwenden Sie nur Original-Makita-Akkus. Die Verwendung von Nicht-Original-Makita-Akkus oder von Akkus, die abgeändert worden sind, kann zum Bersten des Akkus und daraus resultierenden Bränden, Personenschäden und Beschädigung führen. Außerdem wird dadurch die Makita-Garantie für das Makita-Werkzeug und -Ladegerät ungültig.

Hinweise zur Aufrechterhaltung der maximalen Akku-Nutzungsdauer

1. Laden Sie den Akku, bevor er vollkommen erschöpft ist. Schalten Sie das Werkzeug stets aus, und laden Sie den Akku, wenn Sie ein Nachlassen der Werkzeugleistung feststellen.
2. Unterlassen Sie erneutes Laden eines voll aufgeladenen Akkus. Überladen führt zu einer Verkürzung der Nutzungsdauer des Akkus.
3. Laden Sie den Akku bei Raumtemperatur zwischen 10 – 40 °C. Lassen Sie einen heißen Akku abkühlen, bevor Sie ihn laden.
4. Der Akku muss geladen werden, wenn er lange Zeit (länger als sechs Monate) nicht benutzt wird.

Wichtige Sicherheitsanweisungen für Funk-Adapter

1. Unterlassen Sie Zerlegen oder Manipulieren des Funk-Adapters.
2. Halten Sie den Funk-Adapter von kleinen Kindern fern. Suchen Sie bei versehentlichem Verschlucken sofort ärztliche Behandlung auf.
3. Benutzen Sie den Funk-Adapter nur mit Makita-Werkzeugen.
4. Setzen Sie den Funk-Adapter keinem Regen oder Nässe aus.
5. Benutzen Sie den Funk-Adapter nicht an Orten, wo die Temperatur 50 °C überschreitet.
6. Betreiben Sie den Funk-Adapter nicht an Orten, in deren Nähe sich medizinische Geräte, wie z. B. Herzschrittmacher, befinden.

7. **Betreiben Sie den Funk-Adapter nicht an Orten, in deren Nähe sich automatisierte Geräte befinden.** Bei Betrieb kann in den automatisierten Geräten eine Funktionsstörung oder ein Fehler entstehen.
8. **Betreiben Sie den Funk-Adapter nicht an Orten unter hohen Temperaturen oder an Orten, wo statische Elektrizität oder elektrisches Rauschen erzeugt werden könnte.**
9. **Der Funk-Adapter kann elektromagnetische Felder (EMF) erzeugen, die aber für den Benutzer nicht gesundheitsschädlich sind.**
10. **Der Funk-Adapter ist ein Präzisionsinstrument. Achten Sie darauf, dass der Funk-Adapter nicht fallen gelassen oder Stößen ausgesetzt wird.**
11. **Vermeiden Sie Berühren der Kontakte des Funk-Adapters mit bloßen Händen oder Metallgegenständen.**
12. **Entfernen Sie stets den Akku vom Produkt, bevor Sie den Funk-Adapter installieren.**
13. **Öffnen Sie den Deckel des Steckplatzes nicht an Orten, wo Staub und Wasser in den Steckplatz eindringen können. Halten Sie den Einlass des Steckplatzes stets sauber.**
14. **Führen Sie den Funk-Adapter stets in der korrekten Richtung ein.**
15. **Drücken Sie nicht zu fest und/oder mit einem scharfkantigen Gegenstand auf die Funk-Aktivierungstaste des Funk-Adapters.**
16. **Halten Sie den Deckel des Steckplatzes beim Betrieb immer geschlossen.**
17. **Entfernen Sie den Funk-Adapter nicht aus dem Steckplatz, während das Werkzeug mit Strom versorgt wird. Anderenfalls kann eine Funktionsstörung des Funk-Adapters verursacht werden.**
18. **Entfernen Sie nicht den Aufkleber vom Funk-Adapter.**
19. **Kleben Sie keinen anderen Aufkleber auf den Funk-Adapter.**
20. **Lassen Sie den Funk-Adapter nicht an einem Ort liegen, wo statische Elektrizität oder elektrisches Rauschen erzeugt werden könnte.**
21. **Lassen Sie den Funk-Adapter nicht an einem Ort liegen, der starker Hitze ausgesetzt ist, wie z. B. in einem in praller Sonne geparkten Auto.**
22. **Lassen Sie den Funk-Adapter nicht an einem Ort liegen, der Staub oder Puder aufweist, oder an dem ein korrosives Gas erzeugt werden könnte.**
23. **Plötzliche Temperaturschwankungen können den Funk-Adapter betauen. Benutzen Sie den Funk-Adapter nicht eher, bis der Tau vollständig getrocknet ist.**
24. **Wischen Sie den Funk-Adapter zum Reinigen sachte mit einem trockenen, weichen Tuch ab. Verwenden Sie kein Waschbenzin, kein leitfähiges Fett, keinen Verdünner oder dergleichen.**
25. **Bewahren Sie den Funk-Adapter zur Lagerung in der mitgelieferten Schachtel oder einem statikfreien Behälter auf.**
26. **Führen Sie keine anderen Geräte außer dem Makita-Funk-Adapter in den Steckplatz des Werkzeugs ein.**
27. **Benutzen Sie das Werkzeug nicht, wenn der Deckel des Steckplatzes beschädigt ist. Wasser, Staub und Schmutz, die in den Steckplatz eindringen, können eine Funktionsstörung verursachen.**
28. **Ziehen und/oder verdrehen Sie den Deckel des Steckplatzes nicht mehr als nötig. Bringen Sie den Deckel wieder an, falls er sich vom Werkzeug löst.**
29. **Ersetzen Sie den Deckel des Steckplatzes, falls er verloren geht oder beschädigt wird.**

DIESE ANWEISUNGEN AUFBEWAHREN.

FUNKTIONSBESCHREIBUNG

⚠VORSICHT: Vergewissern Sie sich vor der Durchführung von Einstellungen oder Funktionsprüfungen des Werkzeugs stets, dass das Werkzeug ausgeschaltet und der Akku abgenommen ist.

Anbringen und Abnehmen des Akkus

⚠VORSICHT: Schalten Sie das Werkzeug stets aus, bevor Sie den Akku anbringen oder abnehmen.

⚠VORSICHT: Halten Sie das Werkzeug und den Akku beim Anbringen oder Abnehmen des Akkus sicher fest. Wenn Sie das Werkzeug und den Akku nicht sicher festhalten, können sie Ihnen aus der Hand rutschen, was zu einer Beschädigung des Werkzeugs und des Akkus und zu Körperverletzungen führen kann.

► **Abb.1:** 1. Rote Anzeige 2. Knopf 3. Akku

Ziehen Sie den Akku zum Abnehmen vom Werkzeug ab, während Sie den Knopf an der Vorderseite des Akkus verschieben.

Richten Sie zum Anbringen des Akkus dessen Führungsfeder auf die Nut im Gehäuse aus, und schieben Sie den Akku hinein. Schieben Sie ihn vollständig ein, bis er mit einem hörbaren Klicken einrastet. Falls die rote Anzeige an der Oberseite des Knopfes sichtbar ist, ist der Akku nicht vollständig verriegelt.

⚠VORSICHT: Schieben Sie den Akku stets bis zum Anschlag ein, bis die rote Anzeige nicht mehr sichtbar ist. Anderenfalls kann er aus dem Werkzeug herausfallen und Sie oder umstehende Personen verletzen.

⚠VORSICHT: Unterlassen Sie Gewaltanwendung beim Anbringen des Akkus. Falls der Akku nicht reibungslos hineingleitet, ist er nicht richtig ausgerichtet.

Anzeigen der Akku-Restkapazität

Nur für Akkus mit Anzeige

► **Abb.2:** 1. Anzeigelampen 2. Prüftaste

Drücken Sie die Prüftaste am Akku, um die Akku-Restkapazität anzuzeigen. Die Anzeigelampen leuchten wenige Sekunden lang auf.

Anzeigelampen			Restkapazität
Erleuchtet	Aus	Blinkend	
■	□	◐	75% bis 100%
■	■	■	
■	■	□	
■	□	□	
■	□	□	
◐	□	□	50% bis 75%
■	■	□	25% bis 50%
■	□	□	0% bis 25%
◐	□	□	Den Akku aufladen.
■	■	□	Möglicherweise liegt eine Funktionsstörung im Akku vor.
□	□	■	

HINWEIS: Abhängig von den Benutzungsbedingungen und der Umgebungstemperatur kann die Anzeige geringfügig von der tatsächlichen Kapazität abweichen.

Werkzeug/Akku-Schutzsystem

Das Werkzeug ist mit einem Werkzeug/Akku-Schutzsystem ausgestattet. Dieses System schaltet die Stromversorgung des Motors automatisch ab, um die Lebensdauer von Werkzeug und Akku zu verlängern. Das Werkzeug bleibt während des Betriebs automatisch stehen, wenn das Werkzeug oder der Akku einer der folgenden Bedingungen unterliegt:

Überlastschutz

Wird der Akku auf eine Weise benutzt, die eine ungewöhnlich hohe Stromaufnahme bewirkt, bleibt das Werkzeug ohne jegliche Anzeige automatisch stehen. Schalten Sie in dieser Situation das Werkzeug aus, und brechen Sie die Arbeit ab, die eine Überlastung des Werkzeugs verursacht hat. Schalten Sie dann das Werkzeug wieder ein, um es neu zu starten.

Überhitzungsschutz

Wenn das Werkzeug oder der Akku überhitzt wird, bleibt das Werkzeug automatisch stehen. Lassen Sie das Werkzeug und den Akku in diesem Fall abkühlen, bevor Sie das Werkzeug wieder einschalten.

HINWEIS: Bei Überhitzung des Werkzeugs blinkt die Lampe.

Überentladungsschutz

Wenn die Akkukapazität unzureichend wird, bleibt das Werkzeug automatisch stehen. Nehmen Sie in diesem Fall den Akku vom Werkzeug ab, und laden Sie ihn auf.

Schalterfunktion

⚠️ WARNUNG: Vergewissern Sie sich vor dem Einsetzen des Akkus in das Werkzeug stets, dass der Ein-Aus-Schalter ordnungsgemäß funktioniert und beim Loslassen in die AUS-Stellung zurückkehrt.

► **Abb.3:** 1. Auslöseschalter

Drücken Sie zum Einschalten des Werkzeugs einfach den Ein-Aus-Schalter. Die Drehzahl erhöht sich durch verstärkte Druckausübung auf den Ein-Aus-Schalter. Lassen Sie den Ein-Aus-Schalter zum Anhalten los.

Einschalten der Frontlampe

► **Abb.4:** 1. Lampe

⚠️ VORSICHT: Blicken Sie nicht direkt in die Lampe oder die Lichtquelle.

Betätigen Sie den Ein-Aus-Schalter, um die Lampe einzuschalten. Die Lampe bleibt erleuchtet, solange der Ein-Aus-Schalter gedrückt gehalten wird. Die Lampe erlischt ungefähr 10 Sekunden nach dem Loslassen des Ein-Aus-Schalters.

HINWEIS: Wischen Sie Schmutz auf der Lampenlinse mit einem trockenen Tuch ab. Achten Sie sorgfältig darauf, dass Sie die Lampenlinse nicht verkratzen, weil sich sonst die Lichtstärke verringert.

Funktion des Drehrichtungsumschalters

► **Abb.5:** 1. Drehrichtungsumschalthebel

⚠️ VORSICHT: Prüfen Sie stets die Drehrichtung, bevor Sie mit der Arbeit beginnen.

⚠️ VORSICHT: Betätigen Sie den Drehrichtungsumschalter erst, nachdem das Werkzeug völlig zum Stillstand gekommen ist. Durch Umschalten der Drehrichtung bei noch laufendem Werkzeug kann das Werkzeug beschädigt werden.

⚠️ VORSICHT: Stellen Sie den Drehrichtungsumschalthebel stets auf die Neutralstellung, wenn Sie das Werkzeug nicht benutzen.


Dieses Werkzeug besitzt einen Drehrichtungsumschalter. Drücken Sie auf die Seite A des Drehrichtungsumschalthebels für Rechtsdrehung, und auf die Seite B für Linksdrehung. In der Neutralstellung des Drehrichtungsumschalthebels ist der Ein-Aus-Schalter verriegelt.

Wahl der Betriebsart

ANMERKUNG: Betätigen Sie den Betriebsart-Umschaltknopf nicht bei laufendem Werkzeug. Das Werkzeug kann sonst beschädigt werden.


ANMERKUNG: Um schnellen Verschleiß des Betriebsart-Umschaltmechanismus zu vermeiden, achten Sie stets darauf, dass der Betriebsart-Umschaltknopf einwandfrei in einer der drei Betriebsartpositionen eingerastet ist.

Schlagbohren

Für Bohren in Beton, Mauerwerk usw. drehen Sie den Betriebsart-Umschaltknopf auf das Symbol . Verwenden Sie einen Einsatz mit Hartmetallspitze (Sonderzubehör).


- **Abb.6:** 1. Schlagbohren
2. Betriebsart-Umschaltknopf

Bohren

Für Bohren in Holz-, Metall- oder Kunststoffmaterial drehen Sie den Betriebsart-Umschaltknopf auf das Symbol . Verwenden Sie einen Spiralbohrer oder Holzbohrer.

- **Abb.7:** 1. Bohren

Schlagen

Für Meißeln, Abklopfen oder Demolieren drehen Sie den Betriebsart-Umschaltknopf auf das Symbol . Verwenden Sie einen Spitzmeißel, Flachmeißel, Putzmeißel usw.

- **Abb.8:** 1. Schlagen

Einstellen der Düsenposition des Staubabsaugsystems

Sonderzubehör

Schieben Sie die Führung hinein, während Sie den Führungseinstellknopf hoch drücken, und lassen Sie dann den Knopf an der gewünschten Position los.

- **Abb.9:** 1. Führung 2. Führungseinstellknopf

HINWEIS: Bevor Sie die Düsenposition einstellen, geben Sie die Düse vollständig nach vorn frei, indem Sie den Führungseinstellknopf hoch drücken.

Einstellen der Bohrtiefe des Staubabsaugsystems

Sonderzubehör

Schieben Sie den Tiefeneinstellknopf auf die gewünschte Position, während Sie ihn hoch drücken. Der Abstand (A) ist die Bohrtiefe.

- **Abb.10:** 1. Tiefeneinstellknopf

Drehmomentbegrenzer

ANMERKUNG: Schalten Sie das Werkzeug bei Aktivierung des Drehmomentbegrenzers sofort aus. Dies verhindert vorzeitigen Verschleiß des Werkzeugs.

ANMERKUNG: Bohrereinsätze, wie z. B. eine Lochsäge, die zum Klemmen oder Hängenbleiben in der Bohrung neigen, sind für dieses Werkzeug nicht geeignet. Dies liegt daran, dass sie eine zu häufige Aktivierung des Drehmomentbegrenzers verursachen.

Der Drehmomentbegrenzer wird bei Erreichen eines bestimmten Drehmoments ausgelöst. Der Motor wird von der Ausgangswelle abgekuppelt. Wenn dies eintritt, bleibt der Bohrereinsatz stehen.

Elektronikfunktionen

Das Werkzeug ist für komfortablen Betrieb mit Elektronikfunktionen ausgestattet.

- Konstantdrehzahlregelung
Die Drehzahlregelfunktion liefert eine konstante Drehzahl ungeachtet der Lastbedingungen.

MONTAGE

⚠ VORSICHT: Vergewissern Sie sich vor der Ausführung von Arbeiten am Werkzeug stets, dass das Werkzeug ausgeschaltet und der Akku abgenommen ist.

Seitengriff (Zusatzgriff)

⚠ VORSICHT: Verwenden Sie stets den Seitengriff, um sicheren Betrieb zu gewährleisten.

⚠ VORSICHT: Vergewissern Sie sich nach dem Montieren oder Einstellen des Seitengriffs, dass er einwandfrei gesichert ist.

Montieren Sie den Seitengriff so, dass die Vorsprünge am Werkzeuggehäuse in die Nuten des Griffs eingreifen. Drehen Sie den Griff im Uhrzeigersinn, um ihn zu sichern. Der Griff kann in jedem gewünschten Winkel fixiert werden.

- **Abb.11:** 1. Seitengriff

Schmierfett

Tragen Sie vor der Arbeit eine kleine Menge Schmierfett (etwa 0,5 - 1 g) auf das Schaftende des Bohrereinsatzes auf.

Diese Fettschmierung gewährleistet reibungslosen Betrieb und längere Lebensdauer.

Montage und Demontage des Bohrereinsatzes

Reinigen Sie das Schaftende des Bohrereinsatzes, und tragen Sie Schmierfett auf, bevor Sie den Bohrereinsatz montieren.

► **Abb.12:** 1. Schaftende 2. Schmierfett

Führen Sie den Bohrereinsatz in das Werkzeug ein. Drehen Sie den Bohrereinsatz, und drücken Sie ihn hinein, bis er einrastet.

Vergewissern Sie sich nach dem Montieren des Bohrereinsatzes immer, dass der Bohrereinsatz sicher sitzt, indem Sie versuchen, ihn herauszuziehen.

► **Abb.13:** 1. Bohrereinsatz

Um den Bohrereinsatz zu entfernen, ziehen Sie die Futterabdeckung vollständig nach unten, und ziehen Sie den Bohrereinsatz heraus.

► **Abb.14:** 1. Bohrereinsatz 2. Futterabdeckung

Meißelwinkel (beim Meißeln, Abklopfen oder Demolieren)

Der Meißel kann im gewünschten Winkel eingespannt werden. Um den Meißelwinkel zu ändern, drehen Sie den Betriebsart-Umschaltknopf auf das Symbol O. Drehen Sie den Meißel auf den gewünschten Winkel.

► **Abb.15:** 1. Betriebsart-Umschaltknopf

Drehen Sie den Betriebsart-Umschaltknopf auf die Position des Symbols ∇ . Vergewissern Sie sich dann durch leichtes Drehen, dass der Meißel einwandfrei gesichert ist.

Tiefenanschlag

Der Tiefenanschlag ist praktisch, um Löcher von gleicher Tiefe zu bohren. Lösen Sie den Seitengriff, und führen Sie den Tiefenanschlag in das Loch im Seitengriff ein. Den Tiefenanschlag auf die gewünschte Bohrtiefe einstellen, und den Seitengriff fest anziehen.

► **Abb.16:** 1. Loch 2. Tiefenanschlag

HINWEIS: Vergewissern Sie sich beim Anbringen, dass der Tiefenanschlag nicht den Hauptteil des Werkzeugs berührt.

Anbringen und Abnehmen des Staubabsaugsystems

Sonderzubehör

Um das Staubabsaugsystem abzunehmen, ziehen Sie das Werkzeug, während Sie den Verriegelungsknopf drücken. Um es anzubringen, führen Sie das Werkzeug vollständig in das Staubabsaugsystem ein, bis es mit einem leisen Klicken einrastet.

► **Abb.17:** 1. Verriegelungsknopf

Staubfangteller

Sonderzubehör

Verwenden Sie bei Überkopf-Bohrarbeiten den Staubfangteller, um zu verhüten, dass Staub auf Sie und das Werkzeug fällt. Bringen Sie den Staubfangteller so am Einsatz an, wie in der Abbildung gezeigt. Der Staubfangteller kann an Einsätzen der folgenden Größen angebracht werden.

Modell	Einsatzdurchmesser
Staubfangteller 5	6 mm - 14,5 mm
Staubfangteller 9	12 mm - 16 mm

► **Abb.18:** 1. Staubfangteller

Staubfangtellersatz

Sonderzubehör

Installieren des Staubfangtellersatzes

ANMERKUNG: Wenn Sie den Staubfangtellersatz als Sonderzubehör kaufen, kann der standardmäßige Seitengriff nicht verwendet werden, wenn der Staubfangtellersatz am Werkzeug montiert ist. Wenn der Staubfangtellersatz am Werkzeug installiert ist, entfernen Sie den Griff vom standardmäßigen Seitengriff, und bringen Sie ihn am optionalen Griffbasissatz an.

► **Abb.19:** 1. Schraube 2. Griff 3. Optionaler Griffbasissatz

ANMERKUNG: Benutzen Sie den Staubfangtellersatz nicht, wenn Sie in Metall oder ähnlichem Material bohren. Der Staubfangtellersatz kann sonst durch die von feinem Metallstaub o. Ä. erzeugten Wärme beschädigt werden. Unterlassen Sie das Montieren oder Demontieren des Staubfangtellersatzes, wenn der Bohrereinsatz im Werkzeug montiert ist. Sonst kann der Staubfangtellersatz beschädigt und ein Staubleck verursacht werden.

Bevor Sie den Staubfangtellersatz anbringen, entfernen Sie den Einsatz vom Werkzeug, falls einer montiert ist.

1. Montieren Sie die Distanzhülse bei gleichzeitigem Erweitern so, dass die Vorsprünge am Werkzeuggehäuse in die Nuten der Distanzhülse eingreifen. Achten Sie darauf, dass sich die Feder nicht aus dem Schlitz der Distanzhülse löst.

► **Abb.20:** 1. Distanzhülse 2. Feder

► **Abb.21**

2. Montieren Sie den Seitengriff (optionaler Griffbasissatz und Griff vom standardmäßigen Seitengriff entfernt) so, dass der Vorsprung an der Distanzhülse in die Nut des Griffs eingreift. Drehen Sie den Griff im Uhrzeigersinn, um ihn zu sichern.

► **Abb.22:** 1. Seitengriff

3. Montieren Sie den Staubfangtellersatz so, dass die Klauen des Staubfangtellers in die Schlitz der Distanzhülse eingreifen.

► **Abb.23:** 1. Staubfangteller 2. Klauen

HINWEIS: Wenn Sie ein Sauggerät an den Staubfangtellersatz anschließen, entfernen Sie den Staubfangteller vor dem Anschließen.

► **Abb.24:** 1. Staubkappe

Demontieren des Bohrereinsatzes

Um den Bohrereinsatz zu entfernen, ziehen Sie die Futterabdeckung vollständig nach unten, und ziehen Sie den Bohrereinsatz heraus.

► **Abb.25:** 1. Einsatz 2. Futterabdeckung

Demontieren des Staubfangtellersatzes

Folgen Sie den nachstehenden Schritten zum Demontieren des Staubfangtellersatzes.

1. Lösen Sie den Seitengriff.

► **Abb.26:** 1. Seitengriff

2. Halten Sie den Staubfangteller am Ansatz, und ziehen Sie ihn heraus.

► **Abb.27:** 1. Staubfangteller

HINWEIS: Falls das Demontieren des Staubfangtellersatzes schwierig ist, entfernen Sie die Klauen des Staubfangtellers nacheinander, indem Sie den Ansatz des Staubfangtellers schwenken und ziehen.

HINWEIS: Falls sich die Kappe vom Staubfangteller löst, bringen Sie sie mit der bedruckten Seite nach oben so an, dass die Nut der Kappe auf den Innenrand des Aufsatzes passt.

► **Abb.28**

Aufhänger

Sonderzubehör

VORSICHT: Nehmen Sie stets den Akku ab, wenn Sie das Werkzeug am Aufhänger aufhängen.

VORSICHT: Hängen Sie das Werkzeug auf keinen Fall an hoch gelegenen Stellen oder an einer potentiell instabilen Fläche auf.

► **Abb.29:** 1. Nut 2. Aufhänger 3. Schraube

Der Aufhänger ist praktisch, um das Werkzeug vorübergehend aufzuhängen. Dieser kann auf beiden Seiten des Werkzeugs angebracht werden.

Um den Aufhänger anzubringen, führen Sie ihn in die Nut entweder auf der linken oder rechten Seite des Werkzeuggehäuses ein, und sichern Sie ihn dann mit einer Schraube. Um ihn zu entfernen, lösen Sie die Schraube, und nehmen Sie dann ihn heraus.

Werkzeugaufhänger

Sonderzubehör

VORSICHT: Wenn Werkzeugaufhänger und Schraube beschädigt sind, benutzen Sie sie nicht. Überprüfen Sie das Werkzeug vor Gebrauch stets auf Beschädigung, Risse oder Verformung, und vergewissern Sie sich, dass die Schraube angezogen ist.

VORSICHT: Montieren oder demontieren Sie den Werkzeugaufhänger auf einem stabilen Tisch oder einer stabilen Oberfläche. Verwenden Sie nur die mit dem Werkzeugaufhänger gelieferte Schraube. Vergewissern Sie sich nach dem Montieren des Werkzeugaufhängers, dass der Werkzeugaufhänger sicher mit der Schraube montiert ist.

VORSICHT: Nehmen Sie nicht den Akku ab, während Sie das Werkzeug aufhängen. Das Werkzeug kann herunterfallen, wenn die Schraube nicht angezogen ist.

Der Werkzeugaufhänger ist zum Anschließen der Schnur (Haltegurt) vorgesehen. Um den Werkzeugaufhänger am Werkzeug zu montieren, befolgen Sie die nachstehenden Schritte.

1. Nehmen Sie den Akku vom Werkzeug ab.

2. Befestigen Sie den Werkzeugaufhänger von der Unterseite des Werkzeugs, wie in der Abbildung gezeigt.

► **Abb.30**

3. Führen Sie den Vorsprung des Werkzeugaufhängers in die Führungsnut auf der linken Seite des Werkzeugs ein.

► **Abb.31:** 1. Führungsnut 2. Vorsprung

HINWEIS: Der Werkzeugaufhänger lässt sich nur in der in der Abbildung gezeigten Richtung montieren.

4. Ziehen Sie die Schraube fest an.

► **Abb.32:** 1. Schraube

BETRIEB

VORSICHT: Montieren Sie stets den Seitengriff (Zusatzgriff), und halten Sie das Werkzeug während der Arbeit mit beiden Händen am Seitengriff und Schaltergriff fest.

VORSICHT: Vergewissern Sie sich vor der Arbeit immer, dass das Werkstück gesichert ist.

VORSICHT: Ziehen Sie das Werkzeug selbst bei klemmendem Einsatz nicht gewaltsam heraus. Verlust der Kontrolle kann Verletzungen verursachen.

⚠ VORSICHT: Das Staubabsaugsystem ist nur für Bohren in Beton vorgesehen. Benutzen Sie das Staubabsaugsystem nicht zum Bohren in Metall oder Holz.

⚠ VORSICHT: Wenn Sie das Werkzeug mit dem Staubabsaugsystem verwenden, bringen Sie unbedingt den Filter am Staubabsaugsystem an, um Einatmen von Staub zu verhindern.

⚠ VORSICHT: Bevor Sie das Staubabsaugsystem benutzen, stellen Sie sicher, dass der Filter nicht beschädigt ist. Anderenfalls kann es zu Einatmen von Staub kommen.

⚠ VORSICHT: Das Staubabsaugsystem sammelt einen Großteil des erzeugten Staubs auf, aber es kann nicht den ganzen Staub auf sammeln.

ANMERKUNG: Verwenden Sie das Staubabsaugsystem nicht für Kernbohr- oder Stemmarbeiten.

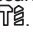
ANMERKUNG: Verwenden Sie das Staubabsaugsystem nicht zum Bohren in nassem Beton, und benutzen Sie dieses System auch nicht in nasser Umgebung. Anderenfalls kann es zu einer Funktionsstörung kommen.

HINWEIS: Wenn der Akku kalt ist, kann nicht die volle Leistungsfähigkeit des Werkzeugs erhalten werden. Erwärmen Sie in diesem Fall den Akku, indem Sie das Werkzeug eine Weile bei Nulllast laufen lassen, um die volle Leistungsfähigkeit des Werkzeugs zu erhalten.

► Abb.33

Hammerbohren


⚠ VORSICHT: Beim Durchbruch der Bohrung, bei Verstopfung der Bohrung mit Spänen und Partikeln, oder beim Auftreffen auf Betonstahl wirkt eine starke, plötzliche Drehkraft auf Werkzeug und Bohrereinsatz. **Montieren Sie stets den Seitengriff (Zusatzgriff), und halten Sie das Werkzeug während der Arbeit mit beiden Händen am Seitengriff und Schaltergriff fest.** Eine Missachtung dieser Vorsichtsmaßnahme kann den Verlust der Kontrolle über das Werkzeug und mögliche schwere Verletzungen zur Folge haben.

Stellen Sie den Betriebsart-Umschaltknopf auf die Position des Symbols . Setzen Sie den Bohrereinsatz auf die gewünschte Bohrstelle, und drücken Sie dann den Auslöseschalter. Üben Sie keinen übermäßigen Druck auf das Werkzeug aus. Leichter Druck liefert die besten Ergebnisse. Halten Sie das Werkzeug in Position, und vermeiden Sie Abrutschen vom Loch.

Üben Sie keinen stärkeren Druck aus, wenn das Bohrloch mit Spänen oder Bohrmehl zugesetzt wird. Lassen Sie statt dessen das Werkzeug leer laufen, und ziehen Sie dann den Bohrereinsatz teilweise aus dem Bohrloch heraus. Durch mehrmaliges Wiederholen dieses Vorgangs wird das Bohrloch ausgeräumt, so dass der normale Bohrbetrieb fortgesetzt werden kann.

HINWEIS: Es kann zu einer Rundlaufabweichung in der Bohrereinsatzdrehung kommen, wenn das Werkzeug mit Nulllast betrieben wird. Während des Betriebs zentriert sich das Werkzeug automatisch. Dies hat keinen Einfluss auf die Bohrgenauigkeit.

Meißeln/Abklopfen/Demolieren

Stellen Sie den Betriebsart-Umschaltknopf auf die Position des Symbols . Halten Sie das Werkzeug mit beiden Händen fest. Schalten Sie das Werkzeug ein, und führen Sie es mit leichtem Druck, damit es nicht unkontrolliert springt. Übermäßige Druckausübung auf das Werkzeug bewirkt keine Erhöhung der Arbeitsleistung.

► Abb.34

Bohren in Holz oder Metall


⚠ VORSICHT: Halten Sie daher das Werkzeug mit festem Griff und lassen Sie Vorsicht walten, wenn der Bohrereinsatz im Begriff ist, aus dem Werkstück auszutreten. Beim Bohrungsdurchbruch wirkt ein hohes Rückdrehmoment auf Werkzeug und Bohrereinsatz.

⚠ VORSICHT: Ein festsitzender Bohrereinsatz lässt sich durch einfaches Umschalten der Drehrichtung wieder herausdrehen. Dabei sollten Sie aber das Werkzeug gut festhalten, damit es nicht ruckartig herausgestoßen wird.

⚠ VORSICHT: Spannen Sie Werkstücke stets in einen Schraubstock oder eine ähnliche Aufspannvorrichtung ein.

ANMERKUNG: Verwenden Sie keinesfalls die Betriebsart „Schlagbohren“, wenn das Bohrfutter am Werkzeug angebracht ist. Das Bohrfutter kann sonst beschädigt werden. Außerdem löst sich das Bohrfutter beim Umschalten der Drehrichtung.


ANMERKUNG: Übermäßige Druckausübung auf das Werkzeug bewirkt keine Beschleunigung der Bohrleistung. Im Gegenteil; übermäßiger Druck führt zu einer Beschädigung der Spitze des Bohrereinsatzes und damit zu einer Verringerung der Leistungsfähigkeit sowie zu einer Verkürzung der Lebensdauer des Werkzeugs.

Stellen Sie den Betriebsart-Umschaltknopf auf die Position des Symbols . Bringen Sie den Futteradapter an einem schlüssellochen Bohrfutter an, an dem eine Schraube der Größe 1/2"-20 montiert werden kann, und montieren Sie dann die Teile am Werkzeug. Nehmen Sie zur Montage auf den Abschnitt „Montage und Demontage des Bohrereinsatzes“ Bezug.

► Abb.35: 1. Bohrfuttereinheit 2. Futteradapter

Bohren mit Diamant-Bohrkrone

ANMERKUNG: Werden Bohrarbeiten mit Diamant-Bohrkrone in der Betriebsart „Schlagbohren“ durchgeführt, kann die Diamant-Bohrkrone beschädigt werden.

Stellen Sie den Umschalthebel zum Bohren mit Diamant-Bohrkrone immer auf die Position , um die Betriebsart „Bohren“ zu benutzen.

Ausklopfen des Filters

Sonderzubehör

⚠ VORSICHT: Drehen Sie nicht das Einstellrad am Staubsammelbehälter, während der Staubsammelbehälter vom Staubabsaugsystem entfernt ist. Anderenfalls kann es zu Einatmen von Staub kommen.

⚠ VORSICHT: Schalten Sie stets das Werkzeug aus, wenn Sie das Einstellrad am Staubsammelbehälter drehen. Drehen des Einstellrads bei laufendem Werkzeug kann zum Verlust der Kontrolle über das Werkzeug führen.

Durch Ausklopfen des Filters im Staubsammelbehälter können Sie die Saugeffizienz aufrechterhalten und auch die Anzahl der Staubentleerungen verringern. Drehen Sie das Einstellrad am Staubsammelbehälter dreimal, nachdem sich jeweils 50.000 mm³ Staub angesammelt haben, oder wenn Sie das Gefühl haben, dass die Saugleistung nachgelassen hat.

HINWEIS: 50.000 mm³ Staub entsprechen dem Bohren von 10 Löchern von ø10 mm und 65 mm Tiefe (14 Löcher von ø3/8" und 2" Tiefe).

► **Abb.36:** 1. Staubsammelbehälter 2. Einstellrad

Staubentsorgung

Sonderzubehör

⚠ VORSICHT: Vergewissern Sie sich vor der Ausführung von Arbeiten am Werkzeug stets, dass das Werkzeug ausgeschaltet und der Akku abgenommen ist.

⚠ VORSICHT: Tragen Sie beim Entsorgen von Staub unbedingt eine Staubmaske.

⚠ VORSICHT: Leeren Sie den Staubsammelbehälter regelmäßig, bevor er voll wird. Anderenfalls kann die Staubsammelleistung nachlassen, so dass es zu Einatmen von Staub kommt.

⚠ VORSICHT: Die Staubsammelleistung lässt nach, wenn der Filter im Staubsammelbehälter zugesetzt wird. Ersetzen Sie den Filter als Richtlinie nach etwa 200 Staubfüllungen durch einen neuen. Anderenfalls kann es zu Einatmen von Staub kommen.

1. Entfernen Sie den Staubsammelbehälter, während Sie den Hebel des Staubsammelbehälters nach unten drücken.

► **Abb.37:** 1. Hebel

2. Öffnen Sie die Abdeckung des Staubsammelbehälters.

► **Abb.38:** 1. Abdeckung

3. Entsorgen Sie den Staub, und reinigen Sie dann den Filter.

► **Abb.39**

ANMERKUNG: Berühren Sie den Filter beim Reinigen nicht mit einer Bürste oder dergleichen, und blasen Sie auch keine Druckluft auf den Filter. Dadurch kann der Filter beschädigt werden.

Ausblaspipette

Sonderzubehör

Blasen Sie den Staub nach dem Bohren des Lochs mit einer Ausblaspipette aus dem Loch.

► **Abb.40**

Verwendung des Staubfangtellersatzes

Sonderzubehör

Halten Sie den Staubfangtellersatz beim Betreiben des Werkzeugs gegen die Decke.

► **Abb.41**

ANMERKUNG: Benutzen Sie den Staubfangtellersatz nicht, wenn Sie in Metall oder ähnlichem Material bohren. Der Staubfangtellersatz kann sonst durch die von feinem Metallstaub o. Ä. erzeugten Wärme beschädigt werden.

ANMERKUNG: Unterlassen Sie das Montieren oder Demontieren des Staubfangtellersatzes, wenn der Bohrerersatz im Werkzeug montiert ist. Sonst kann der Staubfangtellersatz beschädigt und ein Staubleck verursacht werden.

Anschließen einer Schnur (Haltegurt) am Werkzeugaufhänger

⚠ Spezielle Sicherheitswarnungen für Gebrauch an hohen Orten

Lesen Sie alle Sicherheitswarnungen und Anweisungen durch. Eine Missachtung der Warnungen und Anweisungen kann zu schweren Verletzungen führen.

1. Halten Sie das Werkzeug stets angebunden, wenn Sie „an hohen Orten“ arbeiten. Die maximale Schnurlänge beträgt 2 m.
2. Verwenden Sie nur für diesen Werkzeugtyp geeignete Schnüre, die für eine Belastung von mindestens 4,5 kg bemessen sind.
3. Verankern Sie die Werkzeugschnur nicht an irgendeinem Körperteil oder an beweglichen Komponenten. Verankern Sie die Werkzeugschnur an einer starren Struktur, die den Kräften eines herunterfallenden Werkzeugs widerstehen kann.
4. Vergewissern Sie sich vor der Benutzung, dass die Schnur an beiden Enden einwandfrei gesichert ist.

5. **Überprüfen Sie Werkzeug und Schnur vor jeder Benutzung auf Beschädigung und ordnungsgemäße Funktion (einschließlich Stoff und Nähte). Unterlassen Sie den Gebrauch bei Beschädigung oder nicht ordnungsgemäßer Funktion.**
6. **Wickeln Sie die Schnüre nicht um scharfe oder raue Kanten, und lassen Sie sie auch nicht mit diesen in Berührung kommen.**
7. **Befestigen Sie das andere Ende der Schnur außerhalb des Arbeitsbereichs, so dass ein herunterfallendes Werkzeug sicher gehalten wird.**
8. **Bringen Sie die Schnur so an, dass sich das Werkzeug vom Bediener weg bewegt, falls es herunterfällt. Heruntergefallene Werkzeuge schwingen an der Schnur, was Verletzungen oder Verlust des Gleichgewichts verursachen kann.**
9. **Unterlassen Sie die Benutzung in der Nähe von beweglichen Teilen oder laufenden Maschinen. Anderenfalls besteht Gefährdung durch Zerquetschen oder Erfassen.**
10. **Tragen Sie das Werkzeug nicht an der Aufsatzvorrichtung oder der Schnur.**
11. **Übertragen Sie das Werkzeug nur zwischen Ihren Händen, wenn Sie einwandfreies Gleichgewicht haben.**
12. **Befestigen Sie Schnüre nicht in einer Weise am Werkzeug, die ordnungsgemäßes Funktionieren von Schaltern oder der Auslösersperre (falls geliefert) verhindert.**
13. **Vermeiden Sie es, in der Schnur verwickelt zu werden.**
14. **Halten Sie die Schnur vom Bohrbereich des Werkzeugs fern.**
15. **Verwenden Sie Multi-Action-Karabiner und Karabiner mit Schraubverschluss. Verwenden Sie keine Single-Action-Karabiner mit Federschnapper.**
16. **Falls das Werkzeug herunterfällt, muss es markiert und außer Betrieb genommen werden und sollte von einem Makita-Werk oder einem autorisierten Service-Center überprüft werden.**

► **Abb.42:** 1. Werkzeugaufhänger 2. Schnur (Haltegurt)

FUNK-AKTIVIERUNGSFUNKTION

Sonderzubehör

Mit der Funk-Aktivierungsfunktion verfügbare Möglichkeiten

Die Funk-Aktivierungsfunktion ermöglicht sauberen und komfortablen Betrieb. Wenn Sie ein unterstütztes Sauggerät an das Werkzeug anschließen, können Sie das Sauggerät automatisch mit der Schalterbetätigung des Werkzeugs betreiben.

► **Abb.43**

Um die Funk-Aktivierungsfunktion zu benutzen, benötigen Sie die folgenden Gegenstände:

- Einen Funk-Adapter (Sonderzubehör)
- Ein Sauggerät, das die Funk-Aktivierungsfunktion unterstützt

Die Übersicht über die Einstellung der Funk-Aktivierungsfunktion ist wie folgt. Ausführliche Verfahren entnehmen Sie bitte dem jeweiligen Abschnitt.

1. Installieren des Funk-Adapters
2. Werkzeugregistrierung für das Sauggerät
3. Starten der Funk-Aktivierungsfunktion

Installieren des Funk-Adapters

Sonderzubehör

⚠ VORSICHT: Legen Sie das Werkzeug zum Installieren des Funk-Adapters auf eine ebene und stabile Oberfläche.

ANMERKUNG: Entfernen Sie Staub und Schmutz vom Werkzeug, bevor Sie den Funk-Adapter installieren. Staub oder Schmutz können eine Funktionsstörung verursachen, falls sie in den Steckplatz des Funk-Adapters gelangen.

ANMERKUNG: Um eine durch statische Entladung verursachte Funktionsstörung zu verhindern, berühren Sie ein Statikentladungsmaterial, wie z. B. ein Metallteil des Werkzeugs, bevor Sie den Funk-Adapter anfassen.

ANMERKUNG: Achten Sie beim Installieren des Funk-Adapters immer darauf, dass der Funk-Adapter in der korrekten Richtung eingeführt wird und der Deckel vollständig geschlossen ist.

1. Öffnen Sie den Deckel am Werkzeug, wie in der Abbildung gezeigt.

► **Abb.44:** 1. Deckel

2. Führen Sie den Funk-Adapter in den Steckplatz ein, und schließen Sie dann den Deckel.

Wenn Sie den Funk-Adapter einführen, richten Sie die Vorsprünge auf die Vertiefungen des Steckplatzes aus.

► **Abb.45:** 1. Funk-Adapter 2. Vorsprung 3. Deckel 4. Vertiefung

Zum Entfernen des Funk-Adapters öffnen Sie den Deckel langsam. Die Haken an der Rückseite des Deckels heben den Funk-Adapter an, wenn Sie den Deckel hochziehen.

► **Abb.46:** 1. Funk-Adapter 2. Haken 3. Deckel

Bewahren Sie den Funk-Adapter nach der Entnahme in der mitgelieferten Schachtel oder einem statikfreien Behälter auf.

ANMERKUNG: Verwenden Sie immer die Haken an der Rückseite des Deckels zum Entfernen des Funk-Adapters. Falls die Haken den Funk-Adapter nicht greifen, schließen Sie den Deckel vollständig, und öffnen Sie ihn dann wieder langsam.

Werkzeugregistrierung für das Sauggerät

HINWEIS: Ein Makita-Sauggerät, das die Funk-Aktivierungsfunktion unterstützt, ist für die Werkzeugregistrierung erforderlich.

HINWEIS: Die Installation des Funk-Adapters im Werkzeug muss vollendet sein, bevor mit der Werkzeugregistrierung begonnen wird.

HINWEIS: Unterlassen Sie während der Werkzeugregistrierung die Betätigung des Auslöseschalters oder das Einschalten des Ein-Aus-Schalters am Sauggerät.

HINWEIS: Nehmen Sie auch auf die Betriebsanleitung des Sauggerätes Bezug.

Wenn Sie das Sauggerät zusammen mit der Schalterbetätigung des Werkzeugs aktivieren möchten, müssen Sie zuvor die Werkzeugregistrierung beenden.

1. Setzen Sie die Akkus in das Sauggerät und das Werkzeug ein.
2. Stellen Sie den Bereitschaftsschalter am Sauggerät auf „AUTO“.
► **Abb.47:** 1. Bereitschaftsschalter
3. Drücken Sie die Funk-Aktivierungstaste am Sauggerät für 3 Sekunden, bis die Funk-Aktivierungslampe in Grün blinkt. Drücken Sie dann die Funk-Aktivierungstaste am Werkzeug in der gleichen Weise.
► **Abb.48:** 1. Funk-Aktivierungstaste
2. Funk-Aktivierungslampe

Wenn Sauggerät und Werkzeug erfolgreich verbunden werden, leuchten die Funk-Aktivierungslampen 2 Sekunden lang in Grün auf und beginnen dann in Blau zu blinken.

HINWEIS: Nach Ablauf von 20 Sekunden hören die Funk-Aktivierungslampen auf, in Grün zu blinken. Drücken Sie die Funk-Aktivierungstaste am Werkzeug, während die Funk-Aktivierungslampe am Staubsauger blinkt. Falls die Funk-Aktivierungslampe nicht in Grün blinkt, drücken Sie die Funk-Aktivierungstaste kurz, und halten Sie sie erneut gedrückt.

HINWEIS: Wenn Sie zwei oder mehr Werkzeugregistrierungen für ein Sauggerät durchführen, beenden Sie die Werkzeugregistrierungen nacheinander.

Starten der Funk-Aktivierungsfunktion

HINWEIS: Beenden Sie die Werkzeugregistrierung für das Sauggerät vor der Funk-Aktivierung.

HINWEIS: Nehmen Sie auch auf die Betriebsanleitung des Sauggerätes Bezug.

Nachdem Sie ein Werkzeug im Sauggerät registriert haben, läuft das Sauggerät automatisch mit der Schalterbetätigung am Werkzeug an.

1. Installieren Sie den Funk-Adapter im Werkzeug.
2. Schließen Sie den Schlauch des Sauggerätes am Werkzeug an.
► **Abb.49**

3. Stellen Sie den Bereitschaftsschalter am Sauggerät auf „AUTO“.

► **Abb.50:** 1. Bereitschaftsschalter

4. Drücken Sie die Funk-Aktivierungstaste am Werkzeug kurz. Die Funk-Aktivierungslampe blinkt in Blau.

► **Abb.51:** 1. Funk-Aktivierungstaste
2. Funk-Aktivierungslampe

5. Betätigen Sie den Auslöseschalter des Werkzeugs. Prüfen Sie, ob das Sauggerät läuft, während der Auslöseschalter betätigt wird.

Um die Funk-Aktivierung des Sauggerätes zu stoppen, drücken Sie die Funk-Aktivierungstaste am Werkzeug.

HINWEIS: Die Funk-Aktivierungslampe am Werkzeug hört auf, in Blau zu blinken, wenn 2 Stunden lang kein Betrieb erfolgt. Stellen Sie in diesem Fall den Bereitschaftsschalter am Sauggerät auf „AUTO“, und drücken Sie die Funk-Aktivierungstaste am Werkzeug erneut.

HINWEIS: Das Sauggerät startet/stoppt mit einer Verzögerung. Es tritt eine Zeitverzögerung auf, wenn das Sauggerät eine Schalterbetätigung des Werkzeugs erkennt.










HINWEIS: Die Übertragungreichweite des Funk-Adapters kann abhängig vom Ort und den Umgebungsbedingungen schwanken.

HINWEIS: Wenn zwei oder mehr Werkzeuge in einem Sauggerät registriert sind, kann das Sauggerät anlaufen, selbst wenn Sie den Auslöseschalter nicht betätigen, weil ein anderer Benutzer die Funk-Aktivierungsfunktion benutzt.

Beschreibung des Zustands der Funk-Aktivierungslampe

► Abb.52: 1. Funk-Aktivierungslampe

Die Funk-Aktivierungslampe zeigt den Zustand der Funk-Aktivierungsfunktion an. Die Bedeutung des Lampenzustands ist aus der nachstehenden Tabelle ersichtlich.

Zustand	Funk-Aktivierungslampe				Beschreibung
	Farbe	 Ein	 Blinkend	Dauer	
Bereitschaft	Blau			2 Stunden	Die Funk-Aktivierung des Sauggerätes ist verfügbar. Die Lampe erlischt automatisch, wenn 2 Stunden lang kein Betrieb erfolgt.
				Wenn das Werkzeug läuft.	Die Funk-Aktivierung des Sauggerätes ist verfügbar, und das Werkzeug läuft.
Werkzeugregistrierung	Grün			20 Sekunden	Bereit für die Werkzeugregistrierung. Warten auf die Registrierung durch das Sauggerät.
				2 Sekunden	Die Werkzeugregistrierung ist beendet worden. Die Funk-Aktivierungslampe beginnt, in Blau zu blinken.
Aufheben der Werkzeugregistrierung	Rot			20 Sekunden	Bereit für die Aufhebung der Werkzeugregistrierung. Warten auf die Aufhebung durch das Sauggerät.
				2 Sekunden	Die Aufhebung der Werkzeugregistrierung ist beendet worden. Die Funk-Aktivierungslampe beginnt, in Blau zu blinken.
Sonstiges	Rot			3 Sekunden	Der Funk-Adapter wird mit Strom versorgt, und die Funk-Aktivierungsfunktion wird gestartet.
	Aus	-		-	Die Funk-Aktivierung des Sauggerätes ist gestoppt.

Aufheben der Werkzeugregistrierung für das Sauggerät

Führen Sie das folgende Verfahren durch, um die Werkzeugregistrierung für das Sauggerät aufzuheben.

1. Setzen Sie die Akkus in das Sauggerät und das Werkzeug ein.

2. Stellen Sie den Bereitschaftsschalter am Sauggerät auf „AUTO“.

► **Abb.53:** 1. Bereitschaftsschalter

3. Drücken Sie die Funk-Aktivierungstaste am Sauggerät für 6 Sekunden. Die Funk-Aktivierungslampe blinkt in Grün und wird dann rot. Drücken Sie danach die Funk-Aktivierungstaste am Werkzeug in der gleichen Weise.

► **Abb.54:** 1. Funk-Aktivierungstaste
2. Funk-Aktivierungslampe

Wenn die Aufhebung erfolgreich war, leuchten die Funk-Aktivierungslampen 2 Sekunden lang in Rot auf und beginnen dann in Blau zu blinken.

HINWEIS: Nach Ablauf von 20 Sekunden hören die Funk-Aktivierungslampen auf, in Rot zu blinken. Drücken Sie die Funk-Aktivierungstaste am Werkzeug, während die Funk-Aktivierungslampe am Staubsauger blinkt. Falls die Funk-Aktivierungslampe nicht in Rot blinkt, drücken Sie die Funk-Aktivierungstaste kurz, und halten Sie sie erneut gedrückt.

Fehlersuche für Funk-Aktivierungsfunktion

Bevor Sie den Reparaturdienst anrufen, führen Sie zunächst Ihre eigene Inspektion durch. Falls Sie ein Problem finden, das nicht in der Anleitung erläutert wird, versuchen Sie nicht, das Werkzeug zu zerlegen. Wenden Sie sich stattdessen an autorisierte Makita-Kundendienstzentren, und achten Sie darauf, dass stets Makita-Ersatzteile für Reparaturen verwendet werden.

Zustand der Unregelmäßigkeit	Wahrscheinliche Ursache (Funktionsstörung)	Abhilfemaßnahme
Die Funk-Aktivierungslampe leuchtet/blinkt nicht.	Es ist kein Funk-Adapter im Werkzeug installiert. Der Funk-Adapter ist falsch im Werkzeug installiert.	Installieren Sie den Funk-Adapter korrekt.
	Die Kontakte des Funk-Adapters und/oder des Steckplatzes sind verschmutzt.	Wischen Sie Staub und Schmutz an den Kontakten des Funk-Adapters sachte ab, und reinigen Sie den Steckplatz.
	Die Funk-Aktivierungstaste am Werkzeug ist nicht gedrückt worden.	Drücken Sie die Funk-Aktivierungstaste am Werkzeug kurz.
	Der Bereitschaftsschalter am Sauggerät ist nicht auf „AUTO“ eingestellt.	Stellen Sie den Bereitschaftsschalter am Sauggerät auf „AUTO“.
	Keine Stromversorgung	Versorgen Sie Werkzeug und Sauggerät mit Strom.
Die Werkzeugregistrierung/Aufhebung der Werkzeugregistrierung kann nicht erfolgreich beendet werden.	Es ist kein Funk-Adapter im Werkzeug installiert. Der Funk-Adapter ist falsch im Werkzeug installiert.	Installieren Sie den Funk-Adapter korrekt.
	Die Kontakte des Funk-Adapters und/oder des Steckplatzes sind verschmutzt.	Wischen Sie Staub und Schmutz an den Kontakten des Funk-Adapters sachte ab, und reinigen Sie den Steckplatz.
	Der Bereitschaftsschalter am Sauggerät ist nicht auf „AUTO“ eingestellt.	Stellen Sie den Bereitschaftsschalter am Sauggerät auf „AUTO“.
	Keine Stromversorgung	Versorgen Sie Werkzeug und Sauggerät mit Strom.
	Falsche Bedienung	Drücken Sie die Funk-Aktivierungstaste kurz, und führen Sie das Verfahren der Werkzeugregistrierung/Aufhebung der Werkzeugregistrierung erneut durch.
	Der Abstand zwischen Werkzeug und Sauggerät ist zu groß (außerhalb der Übertragungreichweite).	Verkleinern Sie den Abstand zwischen Werkzeug und Sauggerät. Die maximale Übertragungreichweite beträgt ungefähr 10 m, sie kann aber je nach den Umständen schwanken.
	Vor Beendung der Werkzeugregistrierung/Aufhebung der Werkzeugregistrierung: - der Auslöseschalter am Werkzeug wird betätigt, oder - die Ein-Aus-Taste am Sauggerät wird eingeschaltet.	Drücken Sie die Funk-Aktivierungstaste kurz, und führen Sie das Verfahren der Werkzeugregistrierung/Aufhebung der Werkzeugregistrierung erneut durch.
	Die Verfahren der Werkzeugregistrierung für das Werkzeug oder das Sauggerät sind nicht beendet.	Führen Sie die Verfahren der Werkzeugregistrierung sowohl für das Werkzeug als auch das Sauggerät zum selben Zeitpunkt durch.
Funkstörungen durch andere Geräte, die starke Funkwellen erzeugen.	Halten Sie das Werkzeug und das Sauggerät von solchen Geräten wie WLAN-Geräten und Mikrowellenöfen fern.	

Zustand der Unregelmäßigkeit	Wahrscheinliche Ursache (Funktionsstörung)	Abhilfemaßnahme
Das Sauggerät läuft bei der Schalterbetätigung des Werkzeugs nicht an.	Es ist kein Funk-Adapter im Werkzeug installiert. Der Funk-Adapter ist falsch im Werkzeug installiert.	Installieren Sie den Funk-Adapter korrekt.
	Die Kontakte des Funk-Adapters und/oder des Steckplatzes sind verschmutzt.	Wischen Sie Staub und Schmutz an den Kontakten des Funk-Adapters sachte ab, und reinigen Sie den Steckplatz.
	Die Funk-Aktivierungstaste am Werkzeug ist nicht gedrückt worden.	Drücken Sie die Funk-Aktivierungstaste kurz, und vergewissern Sie sich, dass die Funk-Aktivierungslampe in Blau blinkt.
	Der Bereitschaftsschalter am Sauggerät ist nicht auf „AUTO“ eingestellt.	Stellen Sie den Bereitschaftsschalter am Sauggerät auf „AUTO“.
	Es sind mehr als 10 Werkzeuge im Sauggerät registriert.	Führen Sie die Werkzeugregistrierung erneut durch. Wenn mehr als 10 Werkzeuge im Sauggerät registriert werden, wird die Registrierung des ersten Werkzeugs automatisch gelöscht.
	Das Sauggerät hat alle Werkzeugregistrierungen gelöscht.	Führen Sie die Werkzeugregistrierung erneut durch.
	Keine Stromversorgung	Versorgen Sie Werkzeug und Sauggerät mit Strom.
	Der Abstand zwischen Werkzeug und Sauggerät ist zu groß (außerhalb der Übertragungreichweite).	Verkleinern Sie den Abstand zwischen Werkzeug und Sauggerät. Die maximale Übertragungreichweite beträgt ungefähr 10 m, sie kann aber je nach den Umständen schwanken.
Funkstörungen durch andere Geräte, die starke Funkwellen erzeugen.	Halten Sie das Werkzeug und das Sauggerät von solchen Geräten wie WLAN-Geräten und Mikrowellenöfen fern.	
Das Sauggerät läuft an, obwohl der Auslöseschalter des Werkzeugs nicht betätigt wurde.	Andere Benutzer nutzen die Funk-Aktivierung des Sauggerätes mit ihren Werkzeugen.	Schalten Sie die Funk-Aktivierungstaste der anderen Werkzeuge aus, oder heben Sie die Werkzeugregistrierung der anderen Werkzeuge auf.

WARTUNG

⚠ VORSICHT: Vergewissern Sie sich vor der Durchführung von Inspektions- oder Wartungsarbeiten stets, dass das Werkzeug ausgeschaltet und der Akku abgenommen ist.

ANMERKUNG: Verwenden Sie auf keinen Fall Benzin, Waschbenzin, Verdünner, Alkohol oder dergleichen. Solche Mittel können Verfärbung, Verformung oder Rissbildung verursachen.

Um die SICHERHEIT und ZUVERLÄSSIGKEIT dieses Produkts zu gewährleisten, sollten Reparaturen und andere Wartungs- oder Einstellarbeiten nur von Makita-Vertragswerkstätten oder Makita-Kundendienstzentren unter ausschließlicher Verwendung von Makita-Originalersatzteilen ausgeführt werden.

Austauschen des Filters des Staubsammelbehälters

Sonderzubehör

- Entfernen Sie den Staubsammelbehälter, während Sie den Hebel des Staubsammelbehälters nach unten drücken.
► **Abb.55:** 1. Hebel
- Führen Sie einen Flachklingen-Schraubendreher in die Schlitze der Filterabdeckung ein, um die Filterabdeckung zu entfernen.
► **Abb.56:** 1. Flachklingen-Schraubendreher
2. Filterabdeckung
- Entfernen Sie den Filter aus dem Filtergehäuse.
► **Abb.57:** 1. Filter 2. Filtergehäuse
- Setzen Sie einen neuen Filter in das Filtergehäuse ein, und bringen Sie dann die Filterabdeckung an.
- Schließen Sie die Abdeckung des Staubsammelbehälters, und bringen Sie ihn dann am Staubabsaugsystem an.

Austauschen der Dichtkappe

Sonderzubehör

Falls die Dichtkappe abgenutzt ist, verschlechtert sich die Staubsammelleistung. Ersetzen Sie das Teil, falls es abgenutzt ist.
Entfernen Sie die Dichtkappe, und bringen Sie dann eine neue an, so dass ihr Vorsprung nach oben gerichtet ist.
► **Abb.58:** 1. Vorsprung 2. Dichtkappe

SONDERZUBEHÖR

⚠ VORSICHT: Die folgenden Zubehörteile oder Vorrichtungen werden für den Einsatz mit dem in dieser Anleitung beschriebenen Makita-Werkzeug empfohlen. Die Verwendung anderer Zubehörteile oder Vorrichtungen kann eine Verletzungsgefahr darstellen. Verwenden Sie Zubehörteile oder Vorrichtungen nur für ihren vorgesehenen Zweck.

Wenn Sie weitere Einzelheiten bezüglich dieser Zubehörteile benötigen, wenden Sie sich bitte an Ihre Makita-Kundendienststelle.

- Bohrereinsätze mit Hartmetallschneide (SDS-plus-Einsätze mit Hartmetallschneide)
- Bohrkrone
- Spitzmeißel
- Diamant-Bohrkrone
- Flachmeißel
- Putzmeißel
- Nutenmeißel
- Futteradapter
- Schlüsselloses Bohrfutter
- Bohrerfett
- Tiefenanschlag
- Ausblaspipette
- Staubfangteller
- Staubfangtellersatz
- Staubabsaugsystem
- Funk-Adapter
- Aufhänger
- Werkzeugaufhänger
- Original-Makita-Akku und -Ladegerät
- Schutzbrille
- Plastikkoffer

HINWEIS: Manche Teile in der Liste können als Standardzubehör im Werkzeugsatz enthalten sein. Sie können von Land zu Land unterschiedlich sein.

DATI TECNICI

Modello:		DHR182
Capacità	Cemento	18 mm
	Punta a corona	35 mm
	Punta a corona diamantata (tipo a secco)	32 mm
	Acciaio	13 mm
	Legno	24 mm
Velocità a vuoto		0 - 1.350 min ⁻¹
Colpi al minuto		0 - 5.000 min ⁻¹
Lunghezza complessiva		301 mm
Tensione nominale		18 V C.C.
Peso netto		2,4 - 3,2 kg

Accessorio opzionale

Modello:		DX05
Prestazioni di aspirazione		250 l/min
Corsa operativa		Fino a 90 mm
Punta per trapano idonea		Fino a 160 mm
Peso netto		0,9 kg

- A causa del nostro programma continuativo di ricerca e sviluppo, i dati tecnici sono soggetti a modifiche senza preavviso.
- I dati tecnici e la cartuccia della batteria potrebbero differire da nazione a nazione.
- Il peso può variare a seconda dell'accessorio o degli accessori, inclusa la cartuccia della batteria. La combinazione più leggera e quella più pesante, secondo la procedura EPTA 01/2014, sono indicate nella tabella.

Cartuccia della batteria applicabile

BL1815N / BL1820 / BL1820B / BL1830 / BL1830B / BL1840 / BL1840B / BL1850 / BL1850B / BL1860B

- Alcune cartucce delle batterie elencate sopra potrebbero non essere disponibili a seconda della propria area geografica di residenza.

⚠AVVERTIMENTO: Utilizzare solo le cartucce delle batterie elencate sopra. L'utilizzo di altre cartucce delle batterie potrebbe causare lesioni personali e/o un incendio.

Uso previsto

Questo utensile è destinato alla foratura a percussione e normale di mattoni, calcestruzzo e pietre, nonché al lavoro di scalpellatura.

L'utensile è anche adatto alla foratura senza impulsi di legno, metallo, ceramica e plastica.

Rumore

Livello tipico di rumore pesato A determinato in base allo standard EN60745-2-6:

Modello DHR182

Livello di pressione sonora (L_{pA}): 89 dB (A)

Livello di potenza sonora (L_{WA}): 100 dB (A)

Incertezza (K): 3 dB (A)

Modello DHR182 con DX05

Livello di pressione sonora (L_{pA}): 90 dB (A)

Livello di potenza sonora (L_{WA}): 101 dB (A)

Incertezza (K): 3 dB (A)

NOTA: Il valore o i valori dichiarati delle emissioni di rumori sono stati misurati in conformità a un metodo standard di verifica, e possono essere utilizzati per confrontare un utensile con un altro.

NOTA: Il valore o i valori dichiarati delle emissioni di rumori possono venire utilizzati anche per una valutazione preliminare dell'esposizione.

⚠AVVERTIMENTO: Indossare protezioni per le orecchie.

⚠AVVERTIMENTO: L'emissione di rumori durante l'utilizzo effettivo dell'utensile elettrico può variare rispetto al valore o ai valori dichiarati, a seconda dei modi in cui viene utilizzato l'utensile e specialmente a seconda di che tipo di pezzo venga lavorato.

⚠AVVERTIMENTO: Accertarsi di identificare misure di sicurezza per la protezione dell'operatore che siano basate su una stima dell'esposizione nelle condizioni effettive di utilizzo (tenendo conto di tutte le parti del ciclo operativo, ad esempio del numero di spegnimenti dell'utensile e di quando giri a vuoto, oltre al tempo di attivazione).

Vibrazioni

La tabella seguente mostra il valore complessivo delle vibrazioni (somma vettoriale triassiale) determinato in base allo standard applicabile.

Modalità operativa	Emissione di vibrazioni	Incertezza (K)	Standard applicabile
Foratura a percussione del calcestruzzo ($a_{h, HD}$)	11,0 m/s ²	1,5 m/s ²	EN60745-2-6
Foratura a percussione del calcestruzzo con DX05 ($a_{h, HD}$)	11,0 m/s ²	1,5 m/s ²	EN60745-2-6
Funzione di scalpellatura con impugnatura laterale ($a_{h, Cheq}$)	9,0 m/s ²	1,5 m/s ²	EN60745-2-6
Foratura nel metallo ($a_{h, D}$)	2,5 m/s ²	1,5 m/s ²	EN60745-2-1

NOTA: Il valore o i valori complessivi delle vibrazioni dichiarati sono stati misurati in conformità a un metodo standard di verifica, e possono essere utilizzati per confrontare un utensile con un altro.

NOTA: Il valore o i valori complessivi delle vibrazioni dichiarati possono venire utilizzati anche per una valutazione preliminare dell'esposizione.

⚠AVVERTIMENTO: L'emissione delle vibrazioni durante l'utilizzo effettivo dell'utensile elettrico può variare rispetto al valore o ai valori dichiarati, a seconda dei modi in cui viene utilizzato l'utensile, specialmente a seconda di che tipo di pezzo venga lavorato.

⚠AVVERTIMENTO: Accertarsi di identificare misure di sicurezza per la protezione dell'operatore che siano basate su una stima dell'esposizione nelle condizioni effettive di utilizzo (tenendo conto di tutte le parti del ciclo operativo, ad esempio del numero di spegnimenti dell'utensile e di quando giri a vuoto, oltre al tempo di attivazione).

Dichiarazione di conformità CE

Solo per i paesi europei

La dichiarazione di conformità CE è inclusa nell'Allegato A al presente manuale di istruzioni.

AVVERTENZE DI SICUREZZA

Avvertenze generali relative alla sicurezza dell'utensile elettrico

⚠AVVERTIMENTO: Leggere tutte le avvertenze di sicurezza, le istruzioni, le illustrazioni e i dati tecnici forniti con il presente utensile elettrico. La mancata osservanza di tutte le istruzioni elencate di seguito potrebbe risultare in scosse elettriche, incendi e/o gravi lesioni personali.

Conservare tutte le avvertenze e le istruzioni come riferimento futuro.

Il termine "utensile elettrico" nelle avvertenze si riferisce sia all'utensile elettrico (cablato) nel funzionamento alimentato da rete elettrica che all'utensile elettrico (a batteria) nel funzionamento alimentato a batteria.

AVVERTENZE PER LA SICUREZZA DEL MARTELLO ROTATIVO A BATTERIA

1. **Indossare protezioni per le orecchie.** L'esposizione al rumore può causare la perdita dell'udito.
2. **Utilizzare la maniglia o le maniglie ausiliarie, se in dotazione con l'utensile.** La perdita di controllo può causare lesioni personali.

3. **Mantenere l'utensile elettrico mediante le superfici di impugnature isolate, quando si intende eseguire un'operazione in cui l'accessorio da taglio potrebbe entrare in contatto con cablaggi nascosti.** Qualora l'accessorio da taglio entri in contatto con un cavo sotto tensione, potrebbe mettere sotto tensione le parti metalliche esposte dell'utensile elettrico e trasmettere una scossa elettrica all'operatore.
4. **Indossare un casco (elmetto di protezione), occhiali di sicurezza e/o una visiera.** I normali occhiali da vista o da sole **NON** sono occhiali di sicurezza. Inoltre, si consiglia caldamente di indossare una mascherina antipolvere e guanti dall'imbottitura spessa.
5. **Accertarsi che la punta sia fissata saldamente in sede prima dell'utilizzo.**
6. **Nell'utilizzo normale, l'utensile è progettato per produrre vibrazioni.** Le viti potrebbero allentarsi facilmente, causando un guasto o un incidente. Controllare con cura che le viti siano serrate prima dell'uso.
7. **In condizioni di bassa temperatura o quando l'utensile non è stato utilizzato per un periodo di tempo prolungato, lasciar riscaldare l'utensile per un po' di tempo facendolo funzionare a vuoto.** Questa operazione ammorbidisce il lubrificante. Senza un appropriato riscaldamento, l'operazione di percussione risulta difficile.
8. **Accertarsi sempre di appoggiare i piedi saldamente.** Quando si intende utilizzare l'utensile in ubicazioni elevate, accertarsi sempre che non sia presente alcuna persona sotto.
9. **Tenere l'utensile saldamente con entrambe le mani.**
10. **Tenere le mani lontane dalle parti mobili.**
11. **Non lasciare l'utensile mentre sta funzionando.** Far funzionare l'utensile solo mentre lo si tiene in mano.
12. **Non puntare l'utensile verso alcuna persona nelle vicinanze durante l'uso.** La punta potrebbe volare via e causare gravi lesioni personali.
13. **Non toccare la punta, le parti vicine alla punta o il pezzo in lavorazione, subito dopo l'uso; potrebbero essere estremamente caldi e causare ustioni sulla pelle.**

14. Alcuni materiali contengono sostanze chimiche che potrebbero essere tossiche. Fare attenzione a evitare l'inalazione della polvere e il contatto con la pelle. Attenersi ai dati relativi alla sicurezza del fornitore del materiale.
15. Prima di consegnare l'utensile ad altre persone, accertarsi sempre che l'utensile sia spento e che la cartuccia della batteria e la punta siano state rimosse.

CONSERVARE LE PRESENTI ISTRUZIONI.

⚠AVVERTIMENTO: NON lasciare che la comodità o la familiarità d'uso con il prodotto (acquisita con l'uso ripetuto) sostituiscano la stretta osservanza delle norme di sicurezza. L'USO IMPROPRIO o la mancata osservanza delle norme di sicurezza riportate nel presente manuale manuale di istruzioni potrebbero causare lesioni personali gravi.

Istruzioni di sicurezza importanti per la cartuccia della batteria

1. Prima di utilizzare la cartuccia della batteria, leggere tutte le istruzioni e le avvertenze riportate (1) sul caricabatteria, (2) sulla batteria e (3) sul prodotto che utilizza la batteria.
2. Non smontare la cartuccia della batteria.
3. Qualora il tempo di utilizzo si riduca eccessivamente, interrompere immediatamente l'utilizzo dell'utensile. In caso contrario, si può incorrere nel rischio di surriscaldamento, possibili ustioni e persino un'esplosione.
4. Qualora l'elettrolita entri in contatto con gli occhi, sciacquarli con acqua pulita e richiedere immediatamente assistenza medica. Questa eventualità può risultare nella perdita della vista.
5. Non cortocircuitare la cartuccia della batteria:
 - (1) Non toccare i terminali con alcun materiale conduttivo.
 - (2) Evitare di conservare la cartuccia della batteria in un contenitore insieme ad altri oggetti metallici quali chiodi, monete, e così via.
 - (3) Non esporre la cartuccia della batteria all'acqua o alla pioggia.

Un cortocircuito della batteria può causare un grande flusso di corrente, un surriscaldamento, possibili ustioni e persino un guasto.

6. Non conservare l'utensile e la cartuccia della batteria in ubicazioni in cui la temperatura possa raggiungere o superare i 50°C.
7. Non incenerire la cartuccia della batteria anche qualora sia gravemente danneggiata o completamente esaurita. La cartuccia della batteria può esplodere se a contatto con il fuoco.
8. Fare attenzione a non far cadere e a non coprire la batteria.
9. Non utilizzare una batteria danneggiata.
10. Le batterie a ioni di litio contenute sono soggette ai requisiti del regolamento sul trasporto di merci pericolose (Dangerous Goods Legislation).

Per trasporti commerciali, ad esempio da parte dei terzi o spedizionieri, è necessario osservare dei requisiti speciali sull'imballaggio e sull'etichetta. Per la preparazione dell'articolo da spedire, è richiesta la consulenza di un esperto in materiali pericolosi. Attenersi anche alle normative nazionali, che potrebbero essere più dettagliate. Nastrare o coprire i contatti aperti e imballare la batteria in modo tale che non si possa muovere liberamente all'interno dell'imballaggio.

11. **Attenersi alle normative locali relative allo smaltimento della batteria.**
12. **Utilizzare le batterie esclusivamente con i prodotti specificati da Makita.** L'installazione delle batterie in prodotti non compatibili potrebbe risultare in incendi, calore eccessivo, esplosioni o perdite di liquido elettrolitico.

CONSERVARE LE PRESENTI ISTRUZIONI.

⚠ATTENZIONE: Utilizzare solo batterie originali Makita. L'utilizzo di batterie Makita non originali, o di batterie che siano state alterate, potrebbe risultare nello scoppio della batteria, causando incendi, lesioni personali e danni. Inoltre, ciò potrebbe invalidare la garanzia Makita per l'utensile e il caricabatterie Makita.

Suggerimenti per preservare la durata massima della batteria

1. Caricare la cartuccia della batteria prima che si scarichi completamente. Smettere sempre di utilizzare l'utensile e caricare la cartuccia della batteria quando si nota che la potenza dell'utensile è diminuita.
2. Non ricaricare mai una cartuccia della batteria completamente carica. La sovraccarica riduce la vita utile della batteria.
3. Caricare la cartuccia della batteria a una temperatura ambiente compresa tra 10°C e 40°C. Lasciar raffreddare una cartuccia della batteria prima di caricarla.
4. Caricare la cartuccia della batteria se non la si è utilizzata per un periodo di tempo prolungato (più di sei mesi).

Istruzioni importanti per la sicurezza dell'unità senza fili

1. Non smontare né manomettere l'unità senza fili.
2. Tenere l'unità senza fili lontana dai bambini piccoli. Qualora venga inghiottita accidentalmente, richiedere immediatamente assistenza medica.
3. Utilizzare l'unità senza fili esclusivamente con utensili Makita.
4. Non esporre l'unità senza fili alla pioggia o a condizioni di bagnato.
5. Non utilizzare l'unità senza fili in luoghi in cui la temperatura superi i 50°C.
6. Non utilizzare l'unità senza fili in luoghi in cui siano presenti strumenti medici, ad esempio pacemaker, nelle vicinanze.
7. Non utilizzare l'unità senza fili in luoghi in cui siano presenti dispositivi automatizzati nelle vicinanze. In caso contrario, i dispositivi automatizzati potrebbero sviluppare un malfunzionamento o un errore.

8. Non far funzionare l'unità senza fili in ubicazioni con temperatura ambiente elevata o in ubicazioni in cui potrebbero venire generati elettricità statica o disturbi elettrici.
9. L'unità senza fili può produrre campi elettromagnetici (EMF) ma questi ultimi non sono dannosi per l'utente.
10. L'unità senza fili è uno strumento preciso. Fare attenzione a non far cadere e a non colpire l'unità senza fili.
11. Evitare di toccare il terminale dell'unità senza fili a mani nude o con materiali metallici.
12. Rimuovere sempre la batteria sul prodotto quando si intende installare su quest'ultimo l'unità senza fili.
13. Quando si intende aprire il coperchio dell'alloggiamento, evitare ubicazioni in cui polvere e acqua potrebbero penetrare nell'alloggiamento. Mantenere sempre l'apertura di entrata dell'alloggiamento pulita.
14. Inserire sempre l'unità senza fili nella direzione corretta.
15. Non premere con forza eccessiva il pulsante di attivazione della comunicazione senza fili sull'unità senza fili, né premere il pulsante con un oggetto dal bordo affilato.
16. Chiudere sempre il coperchio dell'alloggiamento durante il funzionamento.
17. Non rimuovere l'unità senza fili dall'alloggiamento mentre viene fornita l'alimentazione all'utensile. In caso contrario, si potrebbe causare un malfunzionamento dell'unità senza fili.
18. Non rimuovere l'adesivo sull'unità senza fili.
19. Non applicare alcun adesivo sull'unità senza fili.
20. Non lasciare l'unità senza fili in un'ubicazione in cui potrebbero venire generati elettricità statica o disturbi elettrici.
21. Non lasciare l'unità senza fili in ubicazioni soggette a calore elevato, ad esempio in un'auto parcheggiata al sole.
22. Non lasciare l'unità senza fili in ubicazioni polverose o in ubicazioni in cui potrebbero venire generati gas corrosivi.
23. Una variazione improvvisa di temperatura potrebbe far bagnare di condensa l'unità senza fili. Non utilizzare l'unità senza fili fino alla completa asciugatura della condensa.
24. Quando si intende pulire l'unità senza fili, passarvi sopra delicatamente un panno morbido asciutto. Non utilizzare benzina per pulizia, diluenti, grasso conduttivo o simili.
25. Quando si intende riporre l'unità senza fili, conservarla nella custodia in dotazione o in un contenitore antistatico.
26. Non inserire alcun dispositivo diverso dall'unità senza fili Makita nell'alloggiamento presente sull'utensile.
27. Non utilizzare l'utensile con il coperchio dell'alloggiamento danneggiato. Qualora nell'alloggiamento penetrino acqua, polvere e sporco, potrebbero causare un malfunzionamento.
28. Non tirare né attorcigliare il coperchio dell'alloggiamento oltre il necessario. Qualora il coperchio si stacchi dall'utensile, riapplicarlo.
29. Qualora il coperchio dell'alloggiamento vada perso o venga danneggiato, sostituirlo.

CONSERVARE LE PRESENTI ISTRUZIONI.

DESCRIZIONE DELLE FUNZIONI

ATTENZIONE: Accertarsi sempre che l'utensile sia spento e che la cartuccia della batteria sia stata rimossa prima di regolare o di controllare il funzionamento dell'utensile.

Installazione o rimozione della cartuccia della batteria

ATTENZIONE: Spegnerne sempre l'utensile prima di installare o rimuovere la cartuccia della batteria.

ATTENZIONE: Mantenere saldamente lo strumento e la batteria quando si intende installare o rimuovere la cartuccia della batteria. Qualora non si mantengano saldamente lo strumento e la cartuccia della batteria, questi ultimi potrebbero scivolare dalle mani, con la possibilità di causare un danneggiamento dello strumento e della cartuccia della batteria, nonché una lesione personale.

► Fig. 1: 1. Indicatore rosso 2. Pulsante 3. Cartuccia della batteria

Per rimuovere la cartuccia della batteria, farla scorrere via dall'utensile mentre si fa scorrere allo stesso tempo il pulsante sulla parte anteriore della cartuccia.

Per installare la cartuccia della batteria, allineare l'appendice della batteria con la scanalatura nell'alloggiamento e farla scivolare in sede. Inserirla completamente fino al suo blocco in sede con un leggero scatto. Se è possibile vedere l'indicatore rosso sul lato superiore del pulsante, la batteria non è bloccata completamente.

ATTENZIONE: Installare sempre fino in fondo la cartuccia della batteria, fino a quando l'indicatore rosso non è più visibile. In caso contrario, la batteria potrebbe cadere accidentalmente dall'utensile, causando lesioni personali all'operatore o a chi gli è vicino.

ATTENZIONE: Non installare forzatamente la cartuccia della batteria. Qualora la batteria non si inserisca scorrendo agevolmente, vuol dire che non viene inserita correttamente.

Indicazione della carica residua della batteria

Solo per cartucce delle batterie dotate di indicatore

► Fig.2: 1. Indicatori luminosi 2. Pulsante di controllo

Premere il pulsante di controllo sulla cartuccia della batteria per indicare la carica residua della batteria. Gli indicatori luminosi si illuminano per alcuni secondi.

Indicatori luminosi			Carica residua
■	□	▧	
Illuminato	Spento	Lampeggiante	
■ ■ ■ ■			Dal 75% al 100%
■ ■ ■ □			Dal 50% al 75%
■ ■ □ □			Dal 25% al 50%
■ □ □ □			Dallo 0% al 25%
▧ □ □ □			Caricare la batteria.
■ ■ □ □	↑ ↓	□ □ ■ ■	La batteria potrebbe essersi guastata.

NOTA: A seconda delle condizioni d'uso e della temperatura ambiente, l'indicazione potrebbe variare leggermente rispetto alla carica effettiva.

Sistema di protezione strumento/batteria

L'utensile è dotato di un sistema di protezione dell'utensile stesso e della batteria. Tale sistema interrompe automaticamente l'alimentazione al motore per prolungare la vita utile dell'utensile e della batteria. L'utensile si arresta automaticamente durante il funzionamento, qualora l'utensile o la batteria vengano a trovarsi in una delle condizioni seguenti:

Protezione dal sovraccarico

Quando la batteria viene utilizzata in modo tale da causare un assorbimento di corrente elevato in modo anomalo, l'utensile si arresta automaticamente senza alcuna indicazione. In questa situazione, spegnere l'utensile e interrompere l'applicazione che ha fatto sovraccaricare l'utensile. Quindi, accendere l'utensile per ricominciare.

Protezione dal surriscaldamento

Quando l'utensile o la batteria sono surriscaldati, l'utensile si arresta automaticamente. In questo caso, lasciar raffreddare l'utensile e la batteria prima di riaccendere l'utensile.

NOTA: Quando l'utensile è surriscaldato, l'indicatore luminoso lampeggia.

Protezione dalla sovraccarica

Quando la carica della batteria non è sufficiente, l'utensile si arresta automaticamente. In tal caso, rimuovere la batteria dall'utensile e caricarla.

Funzionamento dell'interruttore

AVVERTIMENTO: Prima di inserire la cartuccia della batteria nell'utensile, controllare sempre che l'interruttore a grilletto funzioni correttamente e torni sulla posizione "OFF" quando viene rilasciato.

► Fig.3: 1. Interruttore a grilletto

Per avviare l'utensile, è sufficiente premere l'interruttore a grilletto. La velocità dell'utensile viene aumentata incrementando la pressione sull'interruttore a grilletto. Rilasciare l'interruttore a grilletto per arrestare l'utensile.

Accensione della lampadina anteriore

► Fig.4: 1. Lampadina

ATTENZIONE: Non osservare né guardare direttamente la fonte di luce.

Premere l'interruttore a grilletto per accendere la lampadina. La lampadina resta accesa fintanto che l'interruttore a grilletto è premuto. La lampadina si spegne circa 10 secondi dopo che si è rilasciato l'interruttore a grilletto.

NOTA: Per pulire la sporcizia dalla lente della lampadina, utilizzare un panno asciutto. Fare attenzione a non graffiare la lente della lampadina, altrimenti si potrebbe ridurre l'illuminazione.

Uso del commutatore di inversione della rotazione

► Fig.5: 1. Leva del commutatore di inversione della rotazione

ATTENZIONE: Controllare sempre la direzione di rotazione prima dell'uso.

ATTENZIONE: Utilizzare il commutatore di inversione della rotazione solo dopo l'arresto completo dell'utensile. Qualora si cambi la direzione di rotazione prima dell'arresto dell'utensile, si potrebbe danneggiare quest'ultimo.

ATTENZIONE: Quando l'utensile non è in uso, impostare sempre la leva del commutatore di inversione della rotazione sulla posizione centrale.


Questo utensile è dotato di un commutatore di inversione della rotazione, per cambiare la direzione di rotazione. Premere la leva del commutatore di inversione della rotazione dal lato A per la rotazione in senso orario, o dal lato B per la rotazione in senso antiorario. Quando la leva del commutatore di inversione della rotazione si trova sulla posizione centrale, non è possibile premere l'interruttore a grilletto.

Selezione della modalità operativa

AVVISO: Non ruotare la manopola di modifica della modalità operativa mentre l'utensile è in funzione. In caso contrario, l'utensile viene danneggiato.

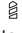
AVVISO: Per evitare una rapida usura del meccanismo di modifica della modalità, accertarsi che la manopola di modifica della modalità operativa sia sempre posizionata con precisione in una delle tre posizioni delle modalità operative.

Rotazione con percussione

Per forare calcestruzzo, muratura, e così via, ruotare la manopola di modifica della modalità operativa sul simbolo . Utilizzare una punta con estremità al carburo di tungsteno (accessorio opzionale).

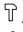
► Fig.6: 1. Rotazione con percussione 2. Manopola di modifica della modalità operativa

Solo rotazione

Per forare legno, metallo o materiali in plastica, ruotare la manopola di modifica della modalità operativa sul simbolo . Utilizzare una punta per trapano elicoidale o una punta per trapano per legno.

► Fig.7: 1. Solo rotazione

Solo percussione

Per operazioni di scalpellatura, disincrostazione o demolizione, ruotare la manopola di modifica della modalità operativa sul simbolo . Utilizzare uno scalpello per cemento, un tagliolo a freddo, uno scalpello largo, e così via.

► Fig.8: 1. Solo percussione

Regolazione della posizione della bocchetta del sistema di raccolta polveri

Accessorio opzionale

Far rientrare la guida premendola mentre si tiene premuto verso l'alto il pulsante di regolazione della guida, quindi rilasciare il pulsante alla posizione desiderata.

► Fig.9: 1. Guida 2. Pulsante di regolazione della guida

NOTA: Prima di regolare la posizione della bocchetta, sbloccare completamente la bocchetta in avanti premendo verso l'alto il pulsante di regolazione della guida.

Regolazione della profondità di foratura del sistema di raccolta polveri

Accessorio opzionale

Far scorrere il pulsante di regolazione della profondità sulla posizione desiderata mentre lo si tiene premuto verso l'alto. La distanza (A) è la profondità di foratura.

► Fig.10: 1. Pulsante di regolazione della profondità

Limitatore di coppia

AVVISO: Non appena si attiva il limitatore di coppia, spegnere immediatamente l'utensile. Questa operazione contribuisce a evitare un'usura prematura dell'utensile.

AVVISO: Le punte per trapano come le seghe a tazza, che tendono a incepparsi o incastrarsi facilmente nel foro, non sono appropriate per questo utensile. Ciò è dovuto al fatto che causano un'attivazione troppo frequente del limitatore di coppia.

Il limitatore di coppia si attiva quando si raggiunge un determinato livello di coppia. Il motore si sgancia dall'albero condotto. Quando si verifica questa eventualità, la punta per trapano smette di girare.

Funzione elettronica

L'utensile è dotato di funzioni elettroniche, per un facile utilizzo.

- Controllo costante della velocità
La funzione di controllo della velocità fornisce una velocità di rotazione costante, indipendentemente dalle condizioni di carico.

MONTAGGIO

ATTENZIONE: Accertarsi sempre che l'utensile sia spento e che la cartuccia della batteria sia stata rimossa, prima di effettuare qualsiasi intervento sull'utensile.

Impugnatura laterale (maniglia ausiliaria)

ATTENZIONE: Utilizzare sempre l'impugnatura laterale per garantire un funzionamento in sicurezza.

ATTENZIONE: Dopo aver installato o regolato l'impugnatura laterale, accertarsi che quest'ultima sia fissata saldamente.

Installare l'impugnatura laterale in modo che le scanalature sull'impugnatura si inseriscano nelle sporgenze presenti sul cilindro dell'utensile. Ruotare l'impugnatura in senso orario per fissarla. È possibile fissare l'impugnatura all'angolazione desiderata.

► Fig.11: 1. Impugnatura laterale

Grasso

Ricoprire anticipatamente l'estremità con il gambo della punta per trapano con una piccola quantità di grasso (circa 0,5 - 1 g).

Questa lubrificazione del mandrino assicura un azionamento fluido e ne prolunga la vita utile.

Installazione o rimozione della punta per trapano

Pulire l'estremità con il gambo della punta per trapano e applicare il grasso prima di installare la punta per trapano.

► **Fig.12:** 1. Estremità con il gambo 2. Grasso

Inserire la punta per trapano nell'utensile. Ruotare la punta per trapano e premerla verso l'interno fino a quando si innesta.

Dopo aver installato la punta per trapano, accertarsi sempre che quest'ultima sia fissata saldamente in sede provando a tirarla fuori.

► **Fig.13:** 1. Punta per trapano

Per rimuovere la punta per trapano, tirare giù fino in fondo la copertura del mandrino ed estrarre la punta per trapano.

► **Fig.14:** 1. Punta per trapano 2. Copertura del mandrino

Angolazione dello scalpello (durante le operazioni di scalpellatura, disincrostazione o demolizione)

È possibile fissare lo scalpello all'angolazione desiderata. Per modificare l'angolazione dello scalpello, ruotare la manopola di modifica della modalità operativa sul simbolo O. Ruotare lo scalpello sull'angolazione desiderata.

► **Fig.15:** 1. Manopola di modifica della modalità operativa

Ruotare la manopola di modifica della modalità operativa sul simbolo T. Quindi, accertarsi che lo scalpello sia fissato saldamente in sede ruotandolo leggermente.

Calibro di profondità

Il calibro di profondità è comodo per praticare fori di profondità uniforme. Allentare l'impugnatura laterale, quindi inserire il calibro di profondità nel foro presente sull'impugnatura laterale. Regolare il calibro di profondità sulla profondità desiderata e serrare saldamente l'impugnatura laterale.

► **Fig.16:** 1. Foro 2. Calibro di profondità

NOTA: Accertarsi che il calibro di profondità non tocchi il corpo principale dell'utensile quando lo si monta.

Installazione o rimozione del sistema di raccolta polveri

Accessorio opzionale

Per rimuovere il sistema di raccolta polveri, tirare l'utensile mentre si tiene premuto il pulsante di sblocco. Per installarlo, inserire completamente l'utensile nel sistema di raccolta polveri fino a quando si innesta in sede con un piccolo scatto.

► **Fig.17:** 1. Pulsante di sblocco

Coppa raccogli-polvere

Accessorio opzionale

Utilizzare la coppa raccogli-polvere per evitare che la polvere cada sull'utensile e sull'operatore quando si effettuano operazioni di perforazione al di sopra della testa. Montare la coppa raccogli-polvere sulla punta come indicato nella figura. Le dimensioni delle punte su cui è possibile montare la coppa raccogli-polvere sono le seguenti.

Modello	Diametro della punta
Coppa raccogli-polvere 5	Da 6 mm a 14,5 mm
Coppa raccogli-polvere 9	Da 12 mm a 16 mm

► **Fig.18:** 1. Coppa raccogli-polvere

Kit coppa raccogli-polvere

Accessorio opzionale

Installazione del kit coppa raccogli-polvere

AVVISO: Se si acquista il kit coppa raccogli-polvere come accessorio opzionale, non è possibile utilizzare l'impugnatura laterale standard mentre è installato il kit coppa raccogli-polvere sull'utensile. Quando il kit coppa raccogli-polvere è installato sull'utensile, rimuovere l'impugnatura dall'impugnatura laterale standard, quindi montarla sul kit base impugnatura opzionale.

► **Fig.19:** 1. Bullone 2. Impugnatura 3. Kit base impugnatura opzionale

AVVISO: Non utilizzare il kit coppa raccogli-polvere quando si intende perforare metallo o materiali simili. In caso contrario, si potrebbe danneggiare il kit coppa raccogli-polvere a causa del calore prodotto dalle piccole particelle di metallo o materiali simili. Non installare o rimuovere il kit coppa raccogli-polvere quando nell'utensile è installata la punta per trapano. In caso contrario, si potrebbe danneggiare il kit coppa raccogli-polvere e causare fuoriuscite di polvere.

Prima di installare il kit coppa raccogli-polvere, rimuovere la punta dall'utensile, se è installata.

1. Installare il distanziatore in modo che le scanalature presenti su quest'ultimo si inseriscano nelle sporgenze presenti sul cilindro dell'utensile mentre lo si allarga. Fare attenzione a non far staccare la molla dalla fessura del distanziatore.

► **Fig.20:** 1. Distanziatore 2. Molla

► **Fig.21**

2. Installare l'impugnatura laterale (kit base impugnatura opzionale con l'impugnatura rimossa dall'impugnatura laterale standard) in modo che la scanalatura sull'impugnatura si inserisca nella sporgenza presente sul distanziatore. Ruotare l'impugnatura in senso orario per fissarla.

► **Fig.22:** 1. Impugnatura laterale

3. Installare il kit coppa raccogli-polvere in modo che i denti della coppa raccogli-polvere si inseriscano nelle fessure presenti sul distanziatore.

► Fig.23: 1. Coppa raccogli-polvere 2. Denti

NOTA: Se si intende collegare un aspirapolvere al kit coppa raccogli-polvere, rimuovere il tappo della polvere prima di collegarlo.

► Fig.24: 1. Tappo della polvere

Rimozione della punta per trapano

Per rimuovere la punta per trapano, tirare giù fino in fondo la copertura del mandrino ed estrarre la punta per trapano.

► Fig.25: 1. Punta 2. Copertura del mandrino

Rimozione del kit coppa raccogli-polvere

Per rimuovere il kit coppa raccogli-polvere, attenersi alla procedura seguente.

1. Allentare l'impugnatura laterale.

► Fig.26: 1. Impugnatura laterale

2. Afferrare la base della coppa raccogli-polvere e tirarla verso l'esterno.

► Fig.27: 1. Coppa raccogli-polvere

NOTA: Qualora risulti difficile rimuovere il kit coppa raccogli-polvere, rimuovere i denti della coppa raccogli-polvere uno alla volta, facendo oscillare e tirando la base della coppa raccogli-polvere.

NOTA: Qualora il tappo si stacchi dalla coppa raccogli-polvere, montarlo con il suo lato stampato rivolto verso l'alto, in modo che la scanalatura presente sul tappo si inserisca nella parte periferica interna dell'attacco.

► Fig.28

Gancio

Accessorio opzionale

ATTENZIONE: Rimuovere sempre la batteria quando si intende appendere l'utensile con il gancio.

ATTENZIONE: Non appendere mai l'utensile in un'ubicazione elevata o su una superficie potenzialmente instabile.

► Fig.29: 1. Scanalatura 2. Gancio 3. Vite

Il gancio è pratico per appendere temporaneamente l'utensile. Può venire installato su entrambi i lati dell'utensile.

Per installare il gancio, inserirlo in una delle scanalature presenti su entrambi i lati dell'alloggiamento dell'utensile, quindi fissarlo con una vite. Per rimuoverlo, allentare la vite e quindi estrarlo.

Staffa dell'utensile

Accessorio opzionale

ATTENZIONE: Non utilizzare una staffa dell'utensile e una vite danneggiate. Prima dell'uso, verificare sempre l'eventuale presenza di danni, spaccature o deformazioni, e accertarsi che la vite sia serrata.

ATTENZIONE: Installare o rimuovere la staffa dell'utensile su un tavolo o una superficie stabile. Accertarsi di utilizzare esclusivamente la vite fornita in dotazione insieme alla staffa dell'utensile. Dopo l'installazione della staffa dell'utensile, accertarsi che quest'ultima sia fissata saldamente con la vite.

ATTENZIONE: Non rimuovere la cartuccia della batteria mentre si appende l'utensile. L'utensile potrebbe cadere, qualora la vite non sia serrata.

La staffa dell'utensile è destinata al collegamento del cordino (cinghia di sicurezza). Per installare la staffa dell'utensile, attenersi alla procedura seguente.

1. Rimuovere la cartuccia della batteria dall'utensile.

2. Montare la staffa dell'utensile dal lato inferiore dell'utensile, come indicato nella figura.

► Fig.30

3. Inserire la sporgenza della staffa dell'utensile nella scanalatura presente sul lato sinistro dell'utensile.

► Fig.31: 1. Scanalatura 2. Sporgenza

NOTA: È possibile installare la staffa dell'utensile solo nella direzione indicata nella figura.

4. Serrare saldamente la vite.

► Fig.32: 1. Vite

FUNZIONAMENTO

ATTENZIONE: Utilizzare sempre l'impugnatura laterale (manico ausiliario) e mantenere saldamente l'utensile utilizzando sia l'impugnatura laterale che il manico con l'interruttore durante l'uso.

ATTENZIONE: Accertarsi sempre che il pezzo in lavorazione sia fissato prima dell'operazione.

ATTENZIONE: Non tirare forzatamente l'utensile, anche qualora la punta resti incastrata. La perdita di controllo potrebbe causare lesioni personali.

⚠ATTENZIONE: Il sistema di raccolta polveri è destinato esclusivamente alla foratura nel calcestruzzo. Non utilizzare il sistema di raccolta polveri per la foratura nel metallo o nel legno.

⚠ATTENZIONE: Quando si intende utilizzare l'utensile con il sistema di raccolta polveri, accertarsi di montare il filtro sul sistema di raccolta polveri, per evitare l'inalazione delle polveri.

⚠ATTENZIONE: Prima di utilizzare il sistema di raccolta polveri, verificare che il filtro non sia danneggiato. La mancata osservanza di questa indicazione potrebbe causare l'inalazione delle polveri.

⚠ATTENZIONE: Il sistema di raccolta polveri raccoglie una percentuale notevole delle polveri generate, ma non è possibile raccogliere tutte le polveri.

AVVISO: Non utilizzare il sistema di raccolta polveri per i carotaggi o la cesellatura.


AVVISO: Non utilizzare il sistema di raccolta polveri per la foratura nel calcestruzzo bagnato, né utilizzare questo sistema in ambiente bagnato. La mancata osservanza di questa indicazione potrebbe causare un malfunzionamento.

NOTA: Qualora la cartuccia della batteria si trovi in condizioni di bassa temperatura, potrebbe non essere possibile ottenere le prestazioni massime dell'utensile. In questo caso, far riscaldare la cartuccia della batteria utilizzando l'utensile a vuoto per qualche momento, per raggiungere le prestazioni massime dell'utensile.

► Fig.33

Operazione di foratura a percussione

⚠ATTENZIONE: Sull'utensile/punta per trapano viene esercitata una fortissima e improvvisa forza torcente quando si verifica la fuoriuscita dal foro, qualora il foro diventi intasato di trucioli e scorie o qualora si colpiscono i tondini per armatura incorporati nel cemento. **Utilizzare sempre l'impugnatura laterale (manico ausiliario) e mantenere saldamente l'utensile utilizzando sia l'impugnatura laterale che il manico con l'interruttore durante l'uso.** In caso contrario, si potrebbe causare la perdita di controllo dell'utensile e la possibilità di gravi lesioni personali.


Impostare la manopola di modifica della modalità operativa sul simbolo .

Posizionare la punta per trapano sul punto desiderato per il foro, quindi premere l'interruttore a grilletto. Non forzare l'utensile. Una leggera pressione produce i risultati migliori. Mantenere l'utensile in posizione ed evitare che scivoli via dal foro.

Non esercitare una pressione maggiore se il foro diventa intasato di trucioli o scorie. Far girare a vuoto l'utensile, invece, quindi rimuovere parzialmente la punta per trapano dal foro. Ripetendo tale procedura diverse volte, il foro si ripulisce e si può continuare con la foratura normale.

NOTA: Durante il funzionamento dell'utensile a vuoto, potrebbe verificarsi un'eccentricità nella rotazione della punta per trapano. L'utensile si centra automaticamente durante l'uso. Ciò non influenza negativamente la precisione della foratura.

Scalpellatura/disincrostazione/demolizione

Impostare la manopola di modifica della modalità operativa sul simbolo .

Mantenere saldamente l'utensile con entrambe le mani. Accendere l'utensile e applicare una leggera pressione su quest'ultimo, in modo che non rimbalzi da tutte le parti incontrollato.

Una forte pressione sull'utensile non ne incrementa l'efficienza.

► Fig.34

Foratura di legno o metallo


⚠ATTENZIONE: Tenere saldamente l'utensile e fare attenzione quando la punta per trapano inizia a fuoriuscire dal pezzo. Sull'utensile/punta per trapano viene esercitata una forza estrema al momento della fuoriuscita dal foro.

⚠ATTENZIONE: Una punta per trapano incastrata può venire rimossa semplicemente impostando il commutatore di inversione della rotazione sulla rotazione invertita, in modo da far tornare indietro l'utensile. Tuttavia, l'utensile potrebbe tornare indietro bruscamente, qualora non venga impugnato saldamente.

⚠ATTENZIONE: Fissare sempre i pezzi in lavorazione in una morsa o un dispositivo simile per tenerli fermi.

AVVISO: Non utilizzare mai la "rotazione con percussione" quando sull'utensile è installato il mandrino per trapano. In caso contrario, il mandrino per trapano potrebbe venire danneggiato. Inoltre, il mandrino per trapano si stacca durante l'inversione della rotazione dell'utensile.

AVVISO: Se si esercita una pressione eccessiva sull'utensile, non si accelera la foratura. In realtà, tale pressione eccessiva produce solo l'effetto di danneggiare l'estremità della punta per trapano e di ridurre le prestazioni e la vita utile dell'utensile.


Impostare la manopola di modifica della modalità operativa sul simbolo .

Montare l'adattatore per mandrino su un mandrino autoserrante per trapano su cui sia possibile installare una vite di dimensione 1/2"-20, quindi installarli sull'utensile. Durante la sua installazione, fare riferimento alla sezione "Installazione o rimozione della punta per trapano".

► Fig.35: 1. Gruppo mandrino per trapano
2. Adattatore per mandrino

Foratura con punta a corona diamantata

AVVISO: Se si effettuano operazioni di foratura con punta a corona diamantata utilizzando la modalità operativa “rotazione con percussione”, la punta a corona diamantata potrebbe venire danneggiata.

Quando si intende effettuare operazioni di foratura con punta a corona diamantata, impostare sempre la leva di modifica sulla posizione  per utilizzare la modalità operativa “solo rotazione”.

Abbattimento delle polveri presenti sul filtro

Accessorio opzionale

ATTENZIONE: Non ruotare la manopola sul contenitore polveri mentre quest'ultimo è rimosso dal sistema di raccolta polveri. In caso contrario, si potrebbe causare l'inalazione delle polveri.

ATTENZIONE: Spegnerne sempre l'utensile quando si intende ruotare la manopola sul contenitore polveri. Qualora si ruoti la manopola mentre l'utensile è in funzione, si potrebbe causare la perdita di controllo dell'utensile.

Abbattendo le polveri presenti sul filtro all'interno del contenitore polveri, è possibile preservare l'efficienza dell'aspiratore, nonché ridurre il numero di interventi di smaltimento delle polveri.

Ruotare la manopola sul contenitore polveri tre volte ogni volta che sono stati raccolti circa 50.000 mm³ di polveri o quando si nota che le prestazioni di aspirazione si sono ridotte.

NOTA: 50.000 mm³ di polveri sono equivalenti alla perforazione di 10 fori di diametro pari a 10 mm e di profondità pari a 65 mm (14 fori di diametro pari a 3/8" e di profondità pari a 2").

► Fig.36: 1. Contenitore polveri 2. Manopola

Smaltimento delle polveri

Accessorio opzionale

ATTENZIONE: Accertarsi sempre che l'utensile sia spento e che la cartuccia della batteria sia stata rimossa, prima di effettuare qualsiasi intervento sull'utensile.

ATTENZIONE: Quando si intende smaltire le polveri, accertarsi di indossare una maschera antipolvere.

ATTENZIONE: Svuotare a intervalli regolari il contenitore polveri prima che diventi pieno. La mancata osservanza di questa indicazione potrebbe ridurre le prestazioni di raccolta delle polveri e causare l'inalazione delle polveri.

ATTENZIONE: Le prestazioni di raccolta delle polveri si riducono, qualora il filtro nel contenitore polveri diventi intasato. Come riferimento, sostituire il filtro con uno nuovo dopo circa 200 riempimenti di polveri. La mancata osservanza di questa indicazione potrebbe causare l'inalazione delle polveri.

1. Rimuovere il contenitore polveri tenendo premuta la leva del contenitore polveri.

► Fig.37: 1. Leva

2. Aprire lo sportellino del contenitore polveri.

► Fig.38: 1. Sportellino

3. Smaltire le polveri, quindi pulire il filtro.

► Fig.39

AVVISO: Quando si intende pulire il filtro, non toccare il filtro con una spazzola o simili, né soffiare aria compressa sul filtro. Queste operazioni potrebbero danneggiare il filtro.

Soffietto a peretta

Accessorio opzionale

Dopo aver praticato il foro, utilizzare il soffietto a peretta per pulire la polvere dal foro.

► Fig.40

Uso del kit coppa antipolvere

Accessorio opzionale

Applicare il kit coppa antipolvere contro il soffitto, quando si utilizza l'utensile.

► Fig.41

AVVISO: Non utilizzare il kit coppa antipolvere durante la foratura nel metallo o in materiali simili. In caso contrario, si potrebbe danneggiare il kit coppa antipolvere, a causa del calore prodotto dalle polveri sottili del metallo o di materiali simili.

AVVISO: Non installare né rimuovere il kit coppa antipolvere quando nell'utensile è installata la punta per trapano. In caso contrario, si potrebbe danneggiare il kit coppa antipolvere e causare fuoriuscite di polveri.

Collegamento di un cordino (cinghia di sicurezza) alla staffa dell'utensile

ATTENZIONE: Avvertenze di sicurezza specifiche per l'utilizzo in altezza. Leggere tutte le avvertenze di sicurezza e le istruzioni. La mancata osservanza delle avvertenze e delle istruzioni potrebbe risultare in gravi lesioni personali.

1. Tenere sempre l'utensile legato con un cordino quando si lavora “in altezza”. La lunghezza massima del cordino è di 2 m.
2. Utilizzare solo cordini appropriati per questo tipo di utensile e omologati per almeno 4,5 kg.
3. Non ancorare il cordino dell'utensile ad alcunché sul proprio corpo o su componenti mobili. Ancorare il cordino dell'utensile a una struttura rigida in grado di sopportare le forze di un utensile caduto.
4. Accertarsi che il cordino sia fissato correttamente a ciascuna estremità prima dell'uso.
5. Ispezionare l'utensile e il cordino prima di ciascun utilizzo alla ricerca di eventuali danni e per verificarne il funzionamento corretto (incluso il tessuto e le cuciture). Non utilizzarlo qualora sia danneggiato o non funzioni correttamente.

6. **Non avvolgere i cordini intorno a bordi affilati o ruvidi, né consentire che entrino in contatto con bordi affilati o ruvidi.**
7. **Fissare l'altra estremità del cordino al di fuori dell'area di lavoro, in modo che un utensile che cada venga mantenuto saldamente.**
8. **Montare il cordino in modo che l'utensile, qualora cada, si allontani dall'operatore.** Gli utensili caduti dondolano sul cordino, il che potrebbe causare lesioni personali o perdita di equilibrio.
9. **Non utilizzarlo in prossimità di parti mobili o macchinari in funzione.** La mancata osservanza di questa indicazione potrebbe risultare in uno schiacciamento o nel pericolo che resti impigliato.
10. **Non trasportare l'utensile mediante il dispositivo di fissaggio o il cordino.**
11. **Passare l'utensile da una mano all'altra solo quando si è correttamente bilanciati.**
12. **Non fissare cordini all'utensile in un modo che impedisca il corretto funzionamento degli interruttori o del blocco del grilletto (se presente).**
13. **Evitare di restare impigliati nel cordino.**
14. **Tenere il cordino lontano dall'area di perforazione dell'utensile.**
15. **Utilizzare moschettoni ad azionamento multiplo o con leva dotata di ghiera a vite. Non utilizzare moschettoni a scatto con clip a molla.**
16. **Nel caso che l'utensile venga fatto cadere, deve essere etichettato e rimosso dal servizio, e dovrebbe venire sottoposto a ispezione presso una fabbrica Makita o un centro di assistenza autorizzato Makita.**

► **Fig.42:** 1. Staffa dell'utensile 2. Cordino (cinghia di sicurezza)

FUNZIONE DI ATTIVAZIONE DELLA COMUNICAZIONE SENZA FILI

Accessorio opzionale

Cosa si può fare con la funzione di attivazione della comunicazione senza fili

La funzione di attivazione della comunicazione senza fili consente un funzionamento pulito e comodo. Collegando un aspirapolvere supportato all'utensile, è possibile far funzionare automaticamente l'aspirapolvere insieme all'attivazione dell'interruttore dell'utensile.

► **Fig.43**

Per utilizzare la funzione di attivazione della comunicazione senza fili, preparare gli elementi seguenti:

- Un'unità senza fili (accessorio opzionale)
- Un aspirapolvere che supporti la funzione di attivazione della comunicazione senza fili

L'impostazione della funzione di attivazione della comunicazione senza fili è ripiegata di seguito. Per le procedure dettagliate, consultare ciascuna sezione.

1. Installazione dell'unità senza fili
2. Registrazione dell'utensile per l'aspirapolvere
3. Avvio della funzione di attivazione della comunicazione senza fili

Installazione dell'unità senza fili

Accessorio opzionale

ATTENZIONE: Posizionare l'utensile su una superficie piana e stabile, quando si intende installare l'unità senza fili.

AVVISO: Pulire la polvere e lo sporco sull'utensile prima di installare l'unità senza fili. La polvere o lo sporco potrebbero causare un malfunzionamento, qualora penetrino nell'alloggiamento dell'unità senza fili.

AVVISO: Per evitare il malfunzionamento causato dall'elettricità statica, toccare un materiale per scaricarla, ad esempio una parte metallica dell'utensile, prima di prendere in mano l'unità senza fili.

AVVISO: Quando si installa l'unità senza fili, accertarsi sempre che quest'ultima sia inserita nella direzione corretta e che il coperchio sia completamente chiuso.

1. Aprire il coperchio sull'utensile come indicato nella figura.

► **Fig.44:** 1. Coperchio

2. Inserire l'unità senza fili nell'alloggiamento, quindi chiudere il coperchio.

Quando si inserisce l'unità senza fili, allineare le sporgenze con le rientranze presenti nell'alloggiamento.

► **Fig.45:** 1. Unità senza fili 2. Sporgenza 3. Coperchio 4. Rientranza

Quando si intende rimuovere l'unità senza fili, aprire lentamente il coperchio. I ganci sul retro del coperchio sollevano l'unità senza fili mentre si tira su il coperchio.

► **Fig.46:** 1. Unità senza fili 2. Gancio 3. Coperchio

Dopo aver rimosso l'unità senza fili, conservarla nella custodia in dotazione o in un contenitore antistatico.

AVVISO: Utilizzare sempre i ganci sul retro del coperchio quando si intende rimuovere l'unità senza fili. Qualora i ganci non si inseriscano nell'unità senza fili, chiudere completamente il coperchio e riaprirlo lentamente.

Registrazione dell'utensile per l'aspirapolvere

NOTA: È richiesto un aspirapolvere Makita che supporti la funzione di attivazione della comunicazione senza fili per la registrazione dell'utensile.

NOTA: Completare l'installazione dell'unità senza fili nello strumento prima di avviare la registrazione dell'utensile.

NOTA: Durante la registrazione dell'utensile, non premere l'interruttore a grilletto né attivare l'interruttore di accensione sull'aspirapolvere.

NOTA: Fare riferimento anche al manuale d'uso dell'aspirapolvere.

Se si desidera attivare l'aspirapolvere insieme all'attivazione dell'interruttore dell'utensile, completare anticipatamente la registrazione dell'utensile.

1. Installare le batterie nell'aspirapolvere e nell'utensile.
2. Impostare il commutatore di standby sull'aspirapolvere su "AUTO".
► **Fig.47:** 1. Commutatore di standby

3. Premere il pulsante di attivazione della comunicazione senza fili sull'aspirapolvere per 3 secondi, fino a quando l'indicatore luminoso di attivazione della comunicazione senza fili lampeggia in verde. Quindi, premere il pulsante di attivazione della comunicazione senza fili sull'utensile in modo analogo.
► **Fig.48:** 1. Pulsante di attivazione della comunicazione senza fili 2. Indicatore luminoso di attivazione della comunicazione senza fili

Se l'aspirapolvere e l'utensile sono collegati con esito positivo, gli indicatori luminosi di attivazione della comunicazione senza fili si illuminano in verde per 2 secondi, quindi iniziano a lampeggiare in blu.

NOTA: Gli indicatori luminosi di attivazione della comunicazione senza fili smettono di lampeggiare in verde dopo 20 secondi. Premere il pulsante di attivazione della comunicazione senza fili sull'utensile mentre l'indicatore luminoso di attivazione della comunicazione senza fili sull'aspiratore sta lampeggiando. Qualora l'indicatore luminoso di attivazione della comunicazione senza fili non lampeggi in verde, premere brevemente e tenere premuto di nuovo il pulsante di attivazione della comunicazione senza fili.

NOTA: Quando si intende effettuare due o più registrazioni di utensili per un unico aspirapolvere, completare la registrazione degli utensili uno alla volta.

Avvio della funzione di attivazione della comunicazione senza fili

NOTA: Completare la registrazione dell'utensile per l'aspirapolvere prima dell'attivazione della comunicazione senza fili.

NOTA: Fare riferimento anche al manuale d'uso dell'aspirapolvere.

Dopo aver registrato un utensile sull'aspirapolvere, quest'ultimo entra in funzione automaticamente insieme all'attivazione dell'interruttore dell'utensile.

1. Installare l'unità senza fili sull'utensile.
2. Collegare il tubo flessibile dell'aspirapolvere all'utensile.
► **Fig.49**
3. Impostare il commutatore di standby sull'aspirapolvere su "AUTO".
► **Fig.50:** 1. Commutatore di standby
4. Premere brevemente il pulsante di attivazione della comunicazione senza fili sull'utensile. L'indicatore luminoso di attivazione della comunicazione senza fili lampeggia in blu.
► **Fig.51:** 1. Pulsante di attivazione della comunicazione senza fili 2. Indicatore luminoso di attivazione della comunicazione senza fili
5. Premere l'interruttore a grilletto dell'utensile. Controllare se l'aspirapolvere entra in funzione mentre si preme l'interruttore a grilletto.

Per interrompere l'attivazione della comunicazione senza fili dell'aspirapolvere, premere il pulsante di attivazione della comunicazione senza fili sull'utensile.

NOTA: L'indicatore luminoso di attivazione della comunicazione senza fili sull'utensile smette di lampeggiare in blu quando non viene effettuata alcuna operazione per 2 ore. In questo caso, impostare il commutatore di standby sull'aspirapolvere su "AUTO" e premere di nuovo il pulsante di attivazione della comunicazione senza fili sull'utensile.

NOTA: L'aspirapolvere si avvia o si arresta con un ritardo. Si verifica un ritardo temporale quando l'aspirapolvere rileva un'attivazione dell'interruttore sull'utensile.










NOTA: La distanza di trasmissione dell'unità senza fili può variare a seconda dell'ubicazione e della situazione circostante.

NOTA: Quando due o più utensili sono registrati su un unico aspirapolvere, quest'ultimo potrebbe iniziare a funzionare anche se non si preme l'interruttore a grilletto, a causa di un altro utente che sta utilizzando la funzione di attivazione della comunicazione senza fili.

Descrizione dello stato dell'indicatore luminoso di attivazione della comunicazione senza fili

► **Fig.52:** 1. Indicatore luminoso di attivazione della comunicazione senza fili

L'indicatore luminoso di attivazione della comunicazione senza fili mostra lo stato della funzione di attivazione della comunicazione senza fili. Per informazioni sul significato dello stato dell'indicatore luminoso, fare riferimento alla tabella seguente.

Stato	Indicatore luminoso di attivazione della comunicazione senza fili			Durata	Descrizione
	Colore	 Acceso	 Lampeggiante		
Standby	Blu			2 ore	È disponibile l'attivazione della funzione di comunicazione senza fili dell'aspirapolvere. L'indicatore luminoso si spegne automaticamente quando non viene eseguita alcuna operazione per 2 ore.
				Quando l'utensile è in funzione.	È disponibile l'attivazione della funzione di comunicazione senza fili dell'aspirapolvere e l'utensile è in funzione.
Registrazione dell'utensile	Verde			20 secondi	Pronto alla registrazione dell'utensile. In attesa della registrazione da parte dell'aspirapolvere.
				2 secondi	La registrazione dell'utensile è stata completata. L'indicatore luminoso di attivazione della comunicazione senza fili inizia a lampeggiare in blu.
Annullamento della registrazione dell'utensile	Rosso			20 secondi	Pronto alla cancellazione della registrazione dell'utensile. In attesa della cancellazione da parte dell'aspirapolvere.
				2 secondi	La cancellazione della registrazione dell'utensile è stata completata. L'indicatore luminoso di attivazione della comunicazione senza fili inizia a lampeggiare in blu.
Altro	Rosso			3 secondi	L'alimentazione è fornita all'unità senza fili e la funzione di attivazione della comunicazione senza fili si sta avviando.
	Spento	-		-	L'attivazione della funzione di comunicazione senza fili dell'aspirapolvere è stata arrestata.

Annullamento della registrazione dell'utensile per l'aspirapolvere

Quando si intende annullare la registrazione dell'utensile per l'aspirapolvere, attenersi alla procedura seguente.

1. Installare le batterie nell'aspirapolvere e nell'utensile.
2. Impostare il commutatore di standby sull'aspirapolvere su "AUTO".

► **Fig.53:** 1. Commutatore di standby

3. Premere il pulsante di attivazione della comunicazione senza fili sull'aspirapolvere per 6 secondi. L'indicatore luminoso di attivazione della comunicazione senza fili lampeggia in verde, quindi diventa rosso. Dopodiché, premere il pulsante di attivazione della comunicazione senza fili sull'utensile in modo analogo.

► **Fig.54:** 1. Pulsante di attivazione della comunicazione senza fili 2. Indicatore luminoso di attivazione della comunicazione senza fili

Se l'annullamento è stato eseguito con esito positivo, gli indicatori luminosi di attivazione della comunicazione senza fili si illuminano in rosso per 2 secondi, quindi iniziano a lampeggiare in blu.

NOTA: Gli indicatori luminosi di attivazione della comunicazione senza fili smettono di lampeggiare in rosso dopo 20 secondi. Premere il pulsante di attivazione della comunicazione senza fili sull'utensile mentre l'indicatore luminoso di attivazione della comunicazione senza fili sull'aspiratore sta lampeggiando. Qualora l'indicatore luminoso di attivazione della comunicazione senza fili non lampeggi in rosso, premere brevemente e tenere premuto di nuovo il pulsante di attivazione della comunicazione senza fili.

Risoluzione dei problemi per la funzione di attivazione della comunicazione senza fili

Prima di richiedere riparazioni, eseguire un'ispezione personalmente. Qualora si rilevi un problema che non è illustrato nel manuale, non tentare di smontare l'utensile. Rivolgersi, invece, a un centro di assistenza autorizzato Makita, utilizzando sempre pezzi di ricambio Makita per le riparazioni.

Stato di anomalia	Causa probabile (guasto)	Azione correttiva
L'indicatore luminoso di attivazione della comunicazione senza fili non si illumina o non lampeggia.	L'unità senza fili non è installata nell'utensile. L'unità senza fili è installata in modo errato nell'utensile.	Installare l'unità senza fili correttamente.
	Il terminale dell'unità senza fili e/o l'alloggiamento sono sporchi.	Asportare delicatamente polvere e sporco presenti sul terminale dell'unità senza fili e pulire l'alloggiamento.
	Il pulsante di attivazione della comunicazione senza fili sull'utensile non è stato premuto.	Premere brevemente il pulsante di attivazione della comunicazione senza fili sull'utensile.
	Il commutatore di standby sull'aspirapolvere non è impostato su "AUTO".	Impostare il commutatore di standby sull'aspirapolvere su "AUTO".
	Alimentazione assente	Fornire l'alimentazione all'utensile e all'aspirapolvere.
Impossibile completare con esito positivo la registrazione dell'utensile o l'annullamento della registrazione dell'utensile.	L'unità senza fili non è installata nell'utensile. L'unità senza fili è installata in modo errato nell'utensile.	Installare l'unità senza fili correttamente.
	Il terminale dell'unità senza fili e/o l'alloggiamento sono sporchi.	Asportare delicatamente polvere e sporco presenti sul terminale dell'unità senza fili e pulire l'alloggiamento.
	Il commutatore di standby sull'aspirapolvere non è impostato su "AUTO".	Impostare il commutatore di standby sull'aspirapolvere su "AUTO".
	Alimentazione assente	Fornire l'alimentazione all'utensile e all'aspirapolvere.
	Funzionamento errato	Premere brevemente il pulsante di attivazione della comunicazione senza fili ed eseguire di nuovo la procedura di registrazione o di annullamento dell'utensile.
	L'utensile e l'aspirapolvere sono lontani l'uno dall'altro (fuori dalla portata di trasmissione).	Avvicinare l'utensile e l'aspirapolvere tra di loro. La distanza massima di trasmissione è di circa 10 m, ma può variare in base alle circostanze.
	Prima di completare la registrazione o l'annullamento dell'utensile: - l'interruttore a grilletto sull'utensile è premuto, oppure; - il pulsante di accensione sull'aspirapolvere è attivato.	Premere brevemente il pulsante di attivazione della comunicazione senza fili ed eseguire di nuovo la procedura di registrazione o di annullamento dell'utensile.
	Le procedure di registrazione per l'utensile o per l'aspirapolvere non sono state completate.	Eseguire le procedure di registrazione dell'utensile sia per l'utensile che per l'aspirapolvere allo stesso tempo.
	Sono presenti disturbi radio dovuti ad altri apparecchi che generano onde radio ad alta intensità.	Tenere l'utensile e l'aspirapolvere lontani da apparecchi quali dispositivi Wi-Fi e forni a microonde.

Stato di anomalia	Causa probabile (guasto)	Azione correttiva
L'aspirapolvere non entra in funzione insieme all'attivazione dell'interruttore dell'utensile.	L'unità senza fili non è installata nell'utensile. L'unità senza fili è installata in modo errato nell'utensile.	Installare l'unità senza fili correttamente.
	Il terminale dell'unità senza fili e/o l'alloggiamento sono sporchi.	Asportare delicatamente polvere e sporco presenti sul terminale dell'unità senza fili e pulire l'alloggiamento.
	Il pulsante di attivazione della comunicazione senza fili sull'utensile non è stato premuto.	Premere brevemente il pulsante di attivazione della comunicazione senza fili e accertarsi che l'indicatore luminoso di attivazione della comunicazione senza fili stia lampeggiando in blu.
	Il commutatore di standby sull'aspirapolvere non è impostato su "AUTO".	Impostare il commutatore di standby sull'aspirapolvere su "AUTO".
	Sull'aspirapolvere sono registrati più di 10 utensili.	Effettuare di nuovo la registrazione dell'utensile. Qualora sull'aspirapolvere siano registrati più di 10 utensili, l'utensile registrato per primo viene annullato automaticamente.
	L'aspirapolvere ha cancellato tutte le registrazioni degli utensili.	Effettuare di nuovo la registrazione dell'utensile.
	Alimentazione assente	Fornire l'alimentazione all'utensile e all'aspirapolvere.
	L'utensile e l'aspirapolvere sono lontani l'uno dall'altro (fuori dalla portata di trasmissione).	Avvicinare l'utensile e l'aspirapolvere tra di loro. La distanza massima di trasmissione è di circa 10 m, ma può variare in base alle circostanze.
	Sono presenti disturbi radio dovuti ad altri apparecchi che generano onde radio ad alta intensità.	Tenere l'utensile e l'aspirapolvere lontani da apparecchi quali dispositivi Wi-Fi e forni a microonde.
L'aspirapolvere entra in funzione mentre l'interruttore a grilletto dell'utensile non è premuto.	Altri utenti stanno utilizzando l'attivazione della comunicazione senza fili dell'aspirapolvere con i loro utensili.	Disattivare il pulsante di attivazione della comunicazione senza fili degli altri utensili oppure annullare la registrazione degli altri utensili.

MANUTENZIONE

⚠ATTENZIONE: Accertarsi sempre che l'utensile sia spento e che la cartuccia della batteria sia stata rimossa prima di tentare di eseguire interventi di ispezione o manutenzione.

AVVISO: Non utilizzare mai benzina, benzene, solventi, alcol o altre sostanze simili. In caso contrario, si potrebbero causare scolorimenti, deformazioni o crepe.

Per preservare la SICUREZZA e l'AFFIDABILITÀ del prodotto, le riparazioni e qualsiasi altro intervento di manutenzione e di regolazione devono essere eseguiti da un centro di assistenza autorizzato Makita, utilizzando sempre ricambi Makita.

Sostituzione del filtro del contenitore polveri

Accessorio opzionale

1. Rimuovere il contenitore polveri tenendo premuta la leva del contenitore polveri.
► **Fig.55:** 1. Leva
2. Inserire il cacciavite a punta piatta nelle fessure del coperchio del filtro per rimuovere il coperchio del filtro.
► **Fig.56:** 1. Cacciavite a punta piatta 2. Coperchio del filtro
3. Rimuovere il filtro dal contenitore del filtro.
► **Fig.57:** 1. Filtro 2. Contenitore del filtro
4. Montare un nuovo filtro nel contenitore del filtro, quindi montare il coperchio del filtro.
5. Chiudere il coperchio del contenitore polveri, quindi montare il contenitore polveri nel sistema di raccolta polveri.

Sostituzione del cappuccio sigillante

Accessorio opzionale

- Qualora il cappuccio sigillante sia usurato, le prestazioni di raccolta delle polveri si riducono. Qualora sia usurato, sostituirlo.
- Rimuovere il cappuccio sigillante, quindi montarne uno nuovo con la sua sporgenza rivolta verso l'alto.
- **Fig.58:** 1. Sporgenza 2. Cappuccio sigillante

ACCESSORI OPZIONALI

⚠ATTENZIONE: Questi accessori o componenti aggiuntivi sono consigliati per l'uso con l'utensile Makita specificato nel presente manuale.

L'impiego di altri accessori o componenti aggiuntivi può costituire un rischio di lesioni alle persone.

Utilizzare gli accessori o i componenti aggiuntivi solo per il loro scopo prefissato.

Per ottenere ulteriori dettagli relativamente a questi accessori, rivolgersi a un centro di assistenza Makita.

- Punta per trapano rivestite in carburo (punte SDS-plus rivestite in carburo)
- Punta a corona
- Scalpello per cemento
- Punta a corona diamantata
- Tagliolo a freddo
- Scalpello largo
- Scalpello per scanalatura
- Adattatore per mandrino
- Mandrino autoserrante per trapano
- Grasso per punte
- Calibro di profondità
- Soffietto a peretta
- Coppa raccogli-polvere
- Kit coppa raccogli-polvere
- Sistema di raccolta polveri
- Unità senza fili
- Gancio
- Staffa dell'utensile
- Batteria e caricabatterie originali Makita
- Occhiali di sicurezza
- Custodia da trasporto in plastica

NOTA: Alcuni articoli nell'elenco potrebbero essere inclusi nell'imballaggio dell'utensile come accessori standard. Tali articoli potrebbero variare da nazione a nazione.

TECHNISCHE GEGEVENS

Model:		DHR182
Capaciteiten	Steen/cement	18 mm
	Kernboor	35 mm
	Diamantkernboor (droog type)	32 mm
	Staal	13 mm
	Hout	24 mm
Nullasttoerental		0 - 1.350 min ⁻¹
Slagen per minuut		0 - 5.000 min ⁻¹
Totale lengte		301 mm
Nominale spanning		18 V gelijkstroom
Nettogewicht		2,4 - 3,2 kg

Optioneel accessoire

Model:		DX05
Afzuigcapaciteit		250 l/min
Werkslag		Max. 90 mm
Geschikte boorbit		Max. 160 mm
Nettogewicht		0,9 kg

- In verband met ononderbroken research en ontwikkeling, behouden wij ons het recht voor de bovenstaande technische gegevens zonder voorafgaande kennisgeving te wijzigen.
- De technische gegevens van de accu kunnen van land tot land verschillen.
- Het gewicht kan verschillen afhankelijk van de hulpstukken, waaronder de accu. De lichtste en zwaarste combinatie, overeenkomstig de EPTA-procedure 01/2014, worden getoond in de tabel.

Toepasselijke accu's

BL1815N / BL1820 / BL1820B / BL1830 / BL1830B / BL1840 / BL1840B / BL1850 / BL1850B / BL1860B

- Sommige van de hierboven vermelde accu's zijn mogelijk niet leverbaar afhankelijk van waar u woont.

⚠ WAARSCHUWING: Gebruik uitsluitend de accu's die hierboven worden genoemd. Gebruik van enige andere accu kan leiden tot letsel en/of brand.

Bedoeld gebruik

Dit gereedschap is bedoeld voor hamerboren en boren in baksteen, beton en steen, en tevens voor beitelwerk. Het is ook geschikt voor boren zonder slagwerking in hout, metaal, keramisch materiaal en kunststof.

Geluidsniveau

De typische, A-gewogen geluidsniveaus zijn gemeten volgens EN60745-2-6:

Model DHR182

Geluidsdrukniveau (L_{pA}): 89 dB (A)

Geluidsvermogeniveau (L_{WA}): 100 dB (A)

Onzekerheid (K): 3 dB (A)

Model DHR182 met DX05

Geluidsdrukniveau (L_{pA}): 90 dB (A)

Geluidsvermogeniveau (L_{WA}): 101 dB (A)

Onzekerheid (K): 3 dB (A)

OPMERKING: De opgegeven geluidsemisiewaarde(n) is/zijn gemeten volgens een standaardtestmethode en kan/kunnen worden gebruikt om dit gereedschap te vergelijken met andere gereedschappen.

OPMERKING: De opgegeven geluidsemisiewaarde(n) kan/kunnen ook worden gebruikt voor een beoordeling vooraf van de blootstelling.

⚠ WAARSCHUWING: Draag gehoorbescherming.

⚠ WAARSCHUWING: De geluidsemisie tijdens het gebruik van het elektrisch gereedschap in de praktijk kan verschillen van de opgegeven waarde(n) afhankelijk van de manier waarop het gereedschap wordt gebruikt, met name van het soort werkstuk waarmee wordt gewerkt.

⚠ WAARSCHUWING: Zorg ervoor dat veiligheidsmaatregelen worden getroffen ter bescherming van de gebruiker die zijn gebaseerd op een schatting van de blootstelling onder praktijkomstandigheden (rekening houdend met alle fasen van de bedrijfscyclus, zoals de tijdsduur gedurende welke het gereedschap is uitgeschakeld en stationair draait, naast de ingeschakelde tijdsduur).

Trilling

De volgende tabel toont de trillingstotaalwaarde (triaxiale vectorsom) zoals vastgesteld conform de toepasselijke norm:

Toepassing	Trillingsemissie	Onzekerheid (K)	Toepasselijke norm
Hamerboren in beton ($a_{h, HD}$)	11,0 m/s ²	1,5 m/s ²	EN60745-2-6
Hamerboren in beton met DX05 ($a_{h, HD}$)	11,0 m/s ²	1,5 m/s ²	EN60745-2-6
Beitelen met zijhandgreep ($a_{h, Chet}$)	9,0 m/s ²	1,5 m/s ²	EN60745-2-6
Boren in metaal ($a_{h, v}$)	2,5 m/s ²	1,5 m/s ²	EN60745-2-1

OPMERKING: De totale trillingswaarde(n) is/zijn gemeten volgens een standaardtestmethode en kan/kunnen worden gebruikt om dit gereedschap te vergelijken met andere gereedschappen.

OPMERKING: De opgegeven totale trillingswaarde(n) kan/kunnen ook worden gebruikt voor een beoordeling vooraf van de blootstelling.

⚠ WAARSCHUWING: De trillingsemissie tijdens het gebruik van het elektrisch gereedschap in de praktijk kan verschillen van de opgegeven waarde(n) afhankelijk van de manier waarop het gereedschap wordt gebruikt, met name van het soort werkstuk waarmee wordt gewerkt.

⚠ WAARSCHUWING: Zorg ervoor dat veiligheidsmaatregelen worden getroffen ter bescherming van de gebruiker die zijn gebaseerd op een schatting van de blootstelling onder praktijkomstandigheden (rekening houdend met alle fasen van de bedrijfscyclus, zoals de tijdsduur gedurende welke het gereedschap is uitgeschakeld en stationair draait, naast de ingeschakelde tijdsduur).

EG-verklaring van conformiteit

Alleen voor Europese landen

De EG-verklaring van conformiteit is bijgevoegd als Bijlage A bij deze gebruiksaanwijzing.

VEILIGHEIDSWAARSCHUWINGEN

Algemene veiligheidswaarschuwingen voor elektrisch gereedschap

⚠ WAARSCHUWING: Lees alle veiligheidswaarschuwingen, aanwijzingen, afbeeldingen en technische gegevens behorend bij dit elektrische gereedschap aandachtig door. Als u niet alle onderstaande aanwijzingen naleeft, kan dat resulteren in brand, elektrische schokken en/of ernstig letsel.

Bewaar alle waarschuwingen en instructies om in de toekomst te kunnen raadplegen.

De term "elektrisch gereedschap" in de veiligheidsvoorschriften duidt op gereedschappen die op stroom van het lichtnet werken (met snoer) of gereedschappen met een accu (snoerloos).

VEILIGHEIDSWAARSCHUWINGEN VOOR EEN ACCUBOORHAMER

1. **Draag gehoorbescherming.** Blootstelling aan het lawaai kan uw gehoor aantasten.
2. **Gebruik hulphandgreep (hulphandgrepen), indien bij het gereedschap geleverd.** Verliezen van de macht over het gereedschap kan letsel veroorzaken.

3. **Houd het elektrisch gereedschap vast aan het geïsoleerde oppervlak van de handgrepen wanneer u werkt op plaatsen waar het accessoire met verborgen bedrading in aanraking kan komen.** Wanneer het accessoire in aanraking komt met onder spanning staande draden, zullen de niet-geïsoleerde metalen delen van het gereedschap onder spanning komen te staan zodat de gebruiker een elektrische schok kan krijgen.
4. **Draag een helm (veiligheidshelm), veiligheidsbril en/of spatscherm. Een gewone bril of een zonnebril is GEEN veiligheidsbril. Het wordt tevens sterk aanbevolen een stofmasker en dik gevoerde handschoenen te dragen.**
5. **Controleer of het bit stevig op zijn plaats zit voordat u het gereedschap gebruikt.**
6. **Bij normale bediening behoort het gereedschap te trillen. De schroeven kunnen gemakkelijk losraken, waardoor een defect of ongeval kan ontstaan. Controleer of de schroeven goed zijn aangedraaid, alvorens het gereedschap te gebruiken.**
7. **In koude weersomstandigheden of wanneer het gereedschap gedurende een lange tijd niet is gebruikt, laat u het gereedschap eerst opwarmen door het onbelast te laten werken. Hierdoor zal de smering worden verbeterd. Zonder degelijk opwarmen, zal de hamerwerking moeilijk zijn.**
8. **Zorg ook altijd dat u stevig op een solide bodem staat. Let bij het werken op hoge plaatsen op dat er zich niemand recht onder u bevindt.**
9. **Houd het gereedschap stevig met beide handen vast.**
10. **Houd uw handen uit de buurt van bewegende delen.**
11. **Laat het gereedschap niet draaiend achter. Schakel het gereedschap alleen in wanneer u het stevig vasthoudt.**
12. **Richt het gereedschap niet op iemand in de buurt terwijl het is ingeschakeld. Het bit zou eruit kunnen vliegen en iemand ernstig verwonden.**

13. Raak het bit, onderdelen in de buurt van het bit en het werkstuk niet onmiddellijk na gebruik aan. Zij kunnen bijzonder heet zijn en brandwonden op uw huid veroorzaken.
14. Bepaalde materialen kunnen giftige chemicaliën bevatten. Vermijd contact met uw huid en zorg dat u geen stof inademt. Volg de veiligheidsvoorschriften van de fabrikant van het materiaal.
15. Zorg er altijd voor dat het gereedschap is uitgeschakeld en de accu en bit zijn verwijderd voordat u het gereedschap aan een andere persoon overhandigt.

BEWAAR DEZE VOORSCHRIFTEN.

⚠️ WAARSCHUWING: Laat u NIET misleiden door een vals gevoel van comfort en bekendheid met het gereedschap (na veelvuldig gebruik) en neem alle veiligheidsvoorschriften van het betreffende gereedschap altijd strikt in acht. **VERKEERD GEBRUIK** of het niet naleven van de veiligheidsvoorschriften in deze gebruiksaanwijzing kan leiden tot ernstig letsel.

Belangrijke veiligheidsinstructies voor een accu

1. Lees alle voorschriften en waarschuwingen op (1) de acculader, (2) de accu, en (3) het product waarvoor de accu wordt gebruikt, alvorens de accu in gebruik te nemen.
2. Neem de accu niet uit elkaar.
3. Als de gebruikstijd van een opgeladen accu aanzienlijk korter is geworden, moet u het gebruik ervan onmiddellijk stopzetten. Voortgezet gebruik kan oververhitting, brandwonden en zelfs een ontploffing veroorzaken.
4. Als elektrolyt in uw ogen is terechtgekomen, spoelt u uw ogen met schoon water en roept u onmiddellijk de hulp van een dokter in. Elektrolyt in de ogen kan blindheid veroorzaken.
5. Voorkom kortsluiting van de accu:
 - (1) Raak de accuklemmen nooit aan met een geleidend materiaal.
 - (2) Bewaar de accu niet in een bak waarin andere metalen voorwerpen zoals spijkers, munten e.d. worden bewaard.
 - (3) Stel de accu niet bloot aan water of regen. Kortsluiting van de accu kan oorzaak zijn van een grote stroomafgifte, oververhitting, brandwonden, en zelfs defecten.
6. Bewaar het gereedschap en de accu niet op plaatsen waar de temperatuur kan oplopen tot 50°C of hoger.
7. Werp de accu nooit in het vuur, ook niet wanneer hij zwaar beschadigd of volledig versleten is. De accu kan ontploffen in het vuur.
8. Wees voorzichtig dat u de accu niet laat vallen en hem niet blootstelt aan schokken of stoten.
9. Gebruik nooit een beschadigde accu.
10. De bijgeleverde lithium-ionbatterijen zijn onderhevig aan de vereisten in de wetgeving omtrent gevaarlijke stoffen.

Voor commercieel transport en dergelijke doorden en transporteurs moeten speciale vereisten ten aanzien van verpakking en etikettering worden nageleefd.

- Als voorbereiding van het artikel dat wordt getransporteerd is het noodzakelijk een expert op het gebied van gevaarlijke stoffen te raadplegen. Houd u tevens aan mogelijk strengere nationale regelgeving. Blootliggende contactpunten moeten worden afgedekt met tape en de accu moet zodanig worden verpakt dat deze niet kan bewegen in de verpakking.
11. **Volg bij het weggoien van de accu de plaatselijke voorschriften.**
 12. **Gebruik de accu's uitsluitend met de gereedschappen die door Makita zijn aanbevolen.** Als de accu's worden aangebracht in niet-compatibele gereedschappen, kan dat leiden tot brand, buitensporige warmteontwikkeling, een explosie of lekkage van elektrolyt.

BEWAAR DEZE INSTRUCTIES.

⚠️ LET OP: Gebruik uitsluitend originele Makita accu's. Het gebruik van niet-originele accu's, of accu's die zijn gewijzigd, kan ertoe leiden dat de accu ontploft en brand, persoonlijk letsel en schade veroorzaakt. Ook vervalt daarmee de garantie van Makita op het gereedschap en de lader van Makita.

Tips voor een maximale levensduur van de accu

1. Laad de accu op voordat hij volledig ontladen is. Stop het gebruik van het gereedschap en laad de accu op telkens wanneer u vaststelt dat het vermogen van het gereedschap is afgenomen.
2. Laad een volledig opgeladen accu nooit opnieuw op. Te lang opladen verkort de levensduur van de accu.
3. Laad de accu op bij een omgevingstemperatuur tussen 10°C en 40°C. Laat een warme accu afkoelen alvorens hem op te laden.
4. Laad de accu op als u deze gedurende een lange tijd (meer dan zes maanden) niet gaat gebruiken.

Belangrijke veiligheidsinstructies voor de draadloos-eenheid

1. Haal de draadloos-eenheid niet uit elkaar en knoei er niet aan.
2. Houd de draadloos-eenheid uit de buurt van kinderen. Indien per ongeluk ingeslikt, raadpleegt u onmiddellijk een arts.
3. Gebruik de draadloos-eenheid uitsluitend met Makita-gereedschap.
4. Stel de draadloos-eenheid niet bloot aan regen of natte omstandigheden.
5. Gebruik de draadloos-eenheid niet op plaatsen waar de temperatuur hoger is dan 50 °C.
6. Bedien de draadloos-eenheid niet op plaatsen in de buurt van medische instrumenten, zoals een pacemaker.
7. Bedien de draadloos-eenheid niet op plaatsen in de buurt van geautomatiseerde apparaten. Bij bediening ervan kan in de geautomatiseerde apparaten een storing of fout optreden.
8. Bedien de draadloos-eenheid niet op plaatsen met een hoge temperatuur of op plaatsen waar statische elektriciteit of elektrische ruis kan worden gegenereerd.

9. De draadloos-eenheid kan elektromagnetische velden genereren, maar deze zijn niet schadelijk voor de gebruiker.
10. De draadloos-eenheid is een nauwkeurig instrument. Wees voorzichtig dat u de draadloos-eenheid niet laat vallen of ergens tegenaan stoot.
11. Raak de aansluitpunten van de draadloos-eenheid niet aan met blote handen of metaalachtige materialen.
12. Verwijder altijd de accu uit het apparaat wanneer u de draadloos-eenheid erin aanbrengt.
13. Open de afdekking van de gleuf niet op plaatsen waar stof of vocht in de gleuf kan binnendringen. Houd de ingang van de gleuf altijd schoon.
14. Breng de draadloos-eenheid altijd in de juiste richting aan.
15. Druk niet te hard op de knop voor draadloos inschakelen op de draadloos-eenheid en/of druk niet op de knop met een scherp voorwerp.
16. Sluit altijd de afdekking van de gleuf tijdens gebruik.
17. Verwijder de draadloos-eenheid niet uit de gleuf terwijl voeding wordt geleverd aan het gereedschap. Als u dit doet, kan een storing optreden in de draadloos-eenheid.
18. Verwijder de sticker op de draadloos-eenheid niet.
19. Plak geen stickers op de draadloos-eenheid.
20. Laat de draadloos-eenheid niet liggen op een plaats waar statische elektriciteit of elektrische ruis kan worden gegenereerd.
21. Laat de draadloos-eenheid niet liggen op een plaats die is blootgesteld aan hoge temperaturen, zoals in een auto die in de zon staat geparkeerd.
22. Laat de draadloos-eenheid niet liggen op een plaats met veel stof of poeder, of op een plaats waar corrosief gas kan worden gegenereerd.
23. Door een plotselinge verandering in temperatuur kan condens op de draadloos-eenheid worden gevormd. Gebruik de draadloos-eenheid niet voordat de condens volledig is verdampt.
24. Veeg de draadloos-eenheid voorzichtig schoon met een droge, zachte doek. Gebruik geen wasbenzine, thinner, geleidend vet en dergelijke.
25. Bewaar de draadloos-eenheid in de bijgeleverde doos of een antistatische container.
26. Breng geen andere apparaten dan een draadloos-eenheid van Makita aan in de gleuf van het gereedschap.
27. Gebruik het gereedschap niet als de afdekking van de gleuf beschadigd is. Water, stof en vuil die in de gleuf binnendringen, kunnen een storing veroorzaken.
28. Trek en draai niet meer dan nodig is aan de afdekking van de gleuf. Plaats de afdekking terug als deze los komt van het gereedschap.
29. Vervang de afdekking van de gleuf als deze verloren of beschadigd is.

BEWAAR DEZE INSTRUCTIES.

BESCHRIJVING VAN DE FUNCTIES

⚠ LET OP: Zorg altijd dat het gereedschap is uitgeschakeld en de accu ervan is verwijderd alvorens de functies op het gereedschap af te stellen of te controleren.

De accu aanbrengen en verwijderen

⚠ LET OP: Schakel het gereedschap altijd uit voordat u de accu aanbrengt of verwijderd.

⚠ LET OP: Houd het gereedschap en de accu stevig vast tijdens het aanbrengen of verwijderen van de accu. Als u het gereedschap en de accu niet stevig vasthoudt, kunnen deze uit uw handen glijpen en het gereedschap of de accu beschadigen, of kan persoonlijk letsel worden veroorzaakt.

► Fig.1: 1. Rood deel 2. Knop 3. Accu

Om de accu te verwijderen verschuift u de knop aan de voorkant van de accu en schuift u tegelijkertijd de accu uit het gereedschap.

Om de accu aan te brengen lijnt u de lip op de accu uit met de groef in de behuizing en duwt u de accu op zijn plaats. Steek de accu zo ver mogelijk in het gereedschap tot u een klikgeluid hoort. Als u het rode deel aan de bovenkant van de knop kunt zien, is de accu niet goed aangebracht.

⚠ LET OP: Breng de accu altijd helemaal aan totdat het rode deel niet meer zichtbaar is. Als u dit niet doet, kan de accu per ongeluk uit het gereedschap vallen en u of anderen in uw omgeving verwonden.

⚠ LET OP: Breng de accu niet met kracht aan. Als de accu niet gemakkelijk in het gereedschap kan worden geschoven, wordt deze niet goed aangebracht.

De resterende acculading controleren

Alleen voor accu's met indicatorlampjes

► Fig.2: 1. Indicatorlampjes 2. Testknop

Druk op de testknop op de accu om de resterende acculading te zien. De indicatorlampjes branden gedurende enkele seconden.

Indicatorlampjes			Resterende acculading
Brandt	Uit	Knippert	
■	□	▧	75% tot 100%
■ ■ ■ ■			
■ ■ ■ ■	□		50% tot 75%
■ ■ ■ □	□ □		25% tot 50%
■ □ □ □	□ □ □ □		0% tot 25%
▧ □ □ □	□ □ □ □		Laad de accu op.
■ ■ □ □	□ □ □ □		Er kan een storing zijn opgetreden in de accu.
□ □ ■ ■			

OPMERKING: Afhankelijk van de gebruiksomstandigheden en de omgevingstemperatuur, is het mogelijk dat de aangegeven acculading verschilt van de werkelijke acculading.

Gereedschap-/accubeveiligingssysteem

Het gereedschap is voorzien van een gereedschap-/accubeveiligingssysteem. Dit systeem schakelt automatisch de voeding naar de motor uit om de levensduur van het gereedschap en de accu te verlengen. Het gereedschap kan tijdens het gebruik automatisch stoppen als het gereedschap of de accu aan één van de volgende omstandigheden wordt blootgesteld:

Overbelastingsbeveiliging

Als de accu wordt gebruikt op een manier die ertoe leidt dat een abnormaal hoge stroomsterkte wordt getrokken, stopt het gereedschap automatisch zonder enige aanduiding. In dat geval schakelt u het gereedschap uit en stopt u met het gebruik dat er toe leidde dat het gereedschap overbelast raakte. Schakel vervolgens het gereedschap in om weer te starten.

Oververhittingsbeveiliging

Als het gereedschap of de accu oververhit is, stopt het gereedschap automatisch. Laat in dat geval het gereedschap en de accu afkoelen voordat u het gereedschap weer inschakelt.

OPMERKING: Wanneer het gereedschap oververhit is, knippert de lamp.

Beveiliging tegen te ver ontladen

Als de acculading onvoldoende is, stopt het gereedschap automatisch. In dit geval verwijdert u de accu vanaf het gereedschap en laadt u de accu op.

De trekkerschakelaar gebruiken

WAARSCHUWING: Alvorens de accu in het gereedschap te plaatsen, moet u altijd controleren of de trekkerschakelaar goed werkt en bij het loslaten terugkeert naar de stand "OFF".

► Fig.3: 1. Trekkerschakelaar

Om het gereedschap te starten, knijpt u gewoon de trekkerschakelaar in. Hoe harder u de trekkerschakelaar inknijpt, hoe sneller het gereedschap draait. Laat de trekkerschakelaar los om het gereedschap te stoppen.

De lamp op de voorkant gebruiken

► Fig.4: 1. Lamp

LET OP: Kijk niet direct in het lamplicht of in de lichtbron.

Knijp de trekkerschakelaar in om de lamp in te schakelen. De lamp blijft branden zo lang de trekkerschakelaar wordt ingeknepen. Ongeveer 10 seconden nadat u de trekkerschakelaar hebt losgelaten, gaat de lamp uit.

OPMERKING: Gebruik een droge doek om vuil van de lens van de lamp af te vegen. Wees voorzichtig dat u de lens van de lamp niet bekrast omdat dan de verlichting minder wordt.

De omkeerschakelaar bedienen

► Fig.5: 1. Omkeerschakelaar

LET OP: Controleer altijd de draairichting alvorens het gereedschap te starten.

LET OP: Verander de stand van de omkeerschakelaar alleen nadat het gereedschap volledig tot stilstand is gekomen. Als u de draairichting verandert terwijl het gereedschap nog draait, kan het gereedschap beschadigd raken.

LET OP: Zet de omkeerschakelaar altijd in de neutrale stand wanneer u het gereedschap niet gebruikt.

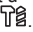
Dit gereedschap heeft een omkeerschakelaar voor het veranderen van de draairichting. Druk de omkeerschakelaar in vanaf kant A voor de draairichting rechtsom, of vanaf kant B voor de draairichting linksom. Wanneer de omkeerschakelaar in de neutrale stand staat, kan de trekkerschakelaar niet worden ingeknepen.

De werksfunctie kiezen

KENNISGEVING: Draai de werksfunctiekeuzeknop niet terwijl het gereedschap draait. Het gereedschap zal hierdoor worden beschadigd.


KENNISGEVING: Om snelle slijtage van het werksfunctiekeuzemechanisme te voorkomen, zorgt u ervoor dat de werksfunctiekeuzeknop altijd precies in een van de drie werksfunctiestanden staat.

Hamerboren

Voor het boren in beton, metselwerk, enz., draait u de werksfunctiekeuzeknop naar het symbool . Gebruik een bit met een hardmetaal punt (optioneel accessoire).


► Fig.6: 1. Hamerboren 2. Werksfunctiekeuzeknop

Alleen boren

Voor het boren in hout, metaal of kunststofmaterialen, draait u de werksfunctiekeuzeknop naar het symbool . Gebruik een spiraalboor of houtboor.

► Fig.7: 1. Alleen boren

Alleen hameren

Voor het beitelen, bikken of sloopwerkzaamheden, draait u de werksfunctiekeuzeknop naar het symbool . Gebruik een puntbeitel, koudbeitel, bikbeitel, enz.

► Fig.8: 1. Alleen hameren

De stand van het mondstuk van het stofvangsysteem afstellen

Optioneel accessoire

Duw de ontgrendelknop van de schuifarm omhoog en duw de schuifarm naar binnen, en laat de knop los in de gewenste stand.

► **Fig.9:** 1. Schuifarm 2. Ontgrendelknop van de schuifarm

OPMERKING: Voordat u de stand van het mondstuk afstelt, zet u eerst het mondstuk helemaal in de voorste stand door de ontgrendelknop van de schuifarm omhoog te duwen.

De boordiepte van het stofvangsysteem afstellen

Optioneel accessoire

Duw de instelknop voor de boordiepte omhoog en schuif deze naar de gewenste stand. De afstand (A) is de boordiepte.

► **Fig.10:** 1. Instelknop voor de boordiepte

Koppelbegrenzer

KENNISGEVING: Schakel het gereedschap onmiddellijk uit wanneer de koppelbegrenzer in werking treedt. Hiermee helpt u vroegtijdige slijtage van het gereedschap te voorkomen.

KENNISGEVING: Boren, zoals gatenzagen, die gemakkelijk bekneld raken in het boorgat, mogen niet worden gebruikt met dit gereedschap. Dit is omdat zij de koppelbegrenzer te vaak in werking doen treden.

De koppelbegrenzer treedt in werking wanneer de motor een bepaald koppel bereikt. De motor wordt dan ontkoppeld van de uitgaande as. Wanneer dit gebeurt, zal de boor ophouden met draaien.

Elektronische functies

Het gereedschap is uitgerust met elektronische functies voor een eenvoudige bediening.

- Constant-toerentalregeling
De toerentalregelfunctie zorgt voor een constant toerental ongeacht de belastingsomstandigheden.

MONTAGE

⚠ LET OP: Zorg altijd dat het gereedschap is uitgeschakeld en de accu ervan is verwijderd alvorens enig werk aan het gereedschap uit te voeren.

Zijhandgreep (extra handgreep)

⚠ LET OP: Gebruik altijd de zijhandgreep om veilig te kunnen werken.

⚠ LET OP: Na het aanbrengen of afstellen van de zijhandgreep, controleert u of de zijhandgreep stevig is vastgezet.

Breng de zijhandgreep zodanig aan dat de groeven op de greep om de uitsteeksels op de schacht van het gereedschap vallen. Draai de greep rechtsonder om hem te bevestigen. De greep kan onder de gewenste hoek worden vastgezet.

► **Fig.11:** 1. Zijhandgreep

Smeren

Smeer het uiteinde van de schacht van de boor vooraf in met een beetje vet (ong. 0,5 tot 1 gram). Met een ingevette boorkop zal het gereedschap beter werken en langer meegaan.

De boor aanbrengen en verwijderen

Reinig het uiteinde van de schacht van de boor en smeer het met vet voordat u de boor aanbrengt.

► **Fig.12:** 1. Uiteinde van de schacht 2. Smeren

Breng de boor aan in het gereedschap. Draai de boor en duw hem naar binnen tot hij vergrendelt.

Controleer na het aanbrengen van de boor altijd of de boor stevig in het gereedschap is bevestigd door te proberen hem eruit te trekken.

► **Fig.13:** 1. Boor

Om de boor te verwijderen, trekt u de boorkopmof helemaal omlaag en trekt u de boor eruit.

► **Fig.14:** 1. Boor 2. Boorkopmof

Beitelhoek (bij beitelten, bikken of slopen)

De beitel kan onder de gewenste hoek worden vastgezet. Om de beitelhoek te veranderen, draait u de werkingsfunctiekeuzeknop naar het symbool O. Draai de beitel naar de gewenste hoek.

► **Fig.15:** 1. Werkingsfunctiekeuzeknop

Draai de werkingsfunctiekeuzeknop naar het symbool T. Controleer daarna of de beitel stevig op zijn plaats vastzit door deze iets te verdraaien.

Dieptemaat

De dieptemaat is nuttig voor het boren van gaten van gelijke diepte. Maak de zijhandgreep los en steek de dieptemaat in het gat in de basis van de zijhandgreep. Stel de dieptemaat af op de gewenste diepte en zet de zijhandgreep vast.

► **Fig.16:** 1. Gat 2. Dieptemaat

OPMERKING: Zorg ervoor dat de dieptemaat niet tegen de behuizing van het gereedschap aan komt wanneer u hem aanbrengt.

Het stofopvangsysteem aanbrengen en verwijderen

Optioneel accessoire

Om het stofopvangsysteem te verwijderen, houdt u de ontgrendelknop ingedrukt en trekt u het gereedschap van het stofopvangsysteem af. Om het aan te brengen, schuift u het gereedschap zo ver mogelijk op het stofopvangsysteem tot het met een kleine klik op zijn plaats wordt vergrendeld.

► Fig.17: 1. Ontgrendelknop

Stofvanger

Optioneel accessoire

Gebruik de stofvanger om te voorkomen dat stof op het gereedschap en op uzelf terecht komt wanneer u boven uw hoofd boort. Bevestig de stofvanger aan het bit zoals aangegeven in de afbeelding. De diameter van de bits waaraan de stofvanger kan worden bevestigd is als volgt.

Model	Bitdiameter
Stofvanger 5	6 mm - 14,5 mm
Stofvanger 9	12 mm - 16 mm

► Fig.18: 1. Stofvanger

Stofvangerset

Optioneel accessoire

De stofvangerset aanbrengen

KENNISGEVING: Als u de stofvangerset hebt aangeschaft als een optioneel accessoire, kan de standaard zijhandgreep niet worden gebruikt terwijl de stofvangerset op het gereedschap is aangebracht. Wanneer de stofvangerset moet worden aangebracht op het gereedschap, verwijderd u eerst de handgreep vanaf de standaard zijhandgreep en bevestigt u hem vervolgens op de optionele handgreepvoetset.

► Fig.19: 1. Bout 2. Handgreep 3. Optionele handgreepvoetset

KENNISGEVING: Gebruik de stofvangerset niet bij het boren in metaal of soortgelijke materialen. De stofvangerset kan dan worden beschadigd door de hitte die wordt afgegeven door kleine metaaldeeltjes of soortgelijke deeltjes. Breng de stofvangerset niet aan en verwijder hem niet terwijl de boor nog in het gereedschap is aangebracht. De stofvangerset kan dan worden beschadigd waardoor hij stof lekt.

Alvorens de stofvangerset aan te brengen, verwijderd u het bit vanaf het gereedschap indien deze is aangebracht.

1. Breng de afstandshouder zodanig aan dat de groeven in de afstandshouder om de uitsteeksels op de schacht van het gereedschap vallen bij het breder maken. Let er daarbij op dat de veer niet loskomt uit de gleuf van de afstandshouder.

► Fig.20: 1. Afstandshouder 2. Veer

► Fig.21

2. Breng de zijhandgreep (optionele handgreepvoetset en de handgreep verwijderd vanaf de standaard zijhandgreep) zodanig aan dat de groef op de handgreep past om het uitsteeksel op de afstandshouder. Draai de handgreep rechtsom om hem te bevestigen.

► Fig.22: 1. Zijhandgreep

3. Breng de stofvangerset zodanig aan dat de klauwen van de stofvanger in de gleuven van de afstandshouder vallen.

► Fig.23: 1. Stofvanger 2. Klauwen

OPMERKING: Als u een stofzuiger aansluit op de stofvangerset, verwijdert u de stofdop voordat u hem aansluit.

► Fig.24: 1. Stofdop

Het boorbit verwijderen

Om de boor te verwijderen, trekt u de boorkopmof helemaal omlaag en trekt u de boor eruit.

► Fig.25: 1. Bit 2. Boorkopmof

De stofvangerset verwijderen

Om de stofvangerset te verwijderen, volgt u de onderstaande stappen.

1. Draai de zijhandgreep los.

► Fig.26: 1. Zijhandgreep

2. Houd de voet van de stofvanger vast en trek deze eruit.

► Fig.27: 1. Stofvanger

OPMERKING: Als de stofvangerset moeilijk te verwijderen is, verwijderd u de klauwen van de stofvanger één voor één door de voet van de stofvanger heen en weer te kantelen en eraan te trekken.

OPMERKING: Als de dop loskomt uit de stofvanger, brengt u deze weer aan met de bedrukte kant naar boven gericht zodat de groef op de dop in de binnenomtrek van zijn bevestiging valt.

► Fig.28

Haak

Optioneel accessoire

⚠ LET OP: Verwijder altijd eerst de accu, voordat u het gereedschap aan de haak ophangt.

⚠ LET OP: Hang het gereedschap nooit op een hoge plaats of aan een mogelijk instabiel oppervlak.

► Fig.29: 1. Groef 2. Haak 3. Schroef

De haak is handig om het gereedschap tijdelijk aan op te hangen. Deze kan aan beide kanten van het gereedschap worden aangebracht.

U brengt de haak aan door deze in een groef in de behuizing van het gereedschap te steken en vast te zetten met een schroef. Om te verwijderen, draait u de schroef los en haalt u hem van het gereedschap af.

Gereedschapophanghaak

Optioneel accessoire

⚠ LET OP: Gebruik de gereedschapophanghaak en schroef niet wanneer deze beschadigd zijn. Controleer voor gebruik altijd op beschadigingen, barsten en vervormingen, en verzeker u ervan dat de schroef is vastgedraaid.

⚠ LET OP: Breng de gereedschapophanghaak aan en verwijder deze op een stabiele tafel of ondergrond. Gebruik alleen de schroef die bij de gereedschapophanghaak werd geleverd. Nadat de gereedschapophanghaak is aangebracht, verzeker u zich ervan dat de gereedschapophanghaak stevig is vastgezet met de schroef.

⚠ LET OP: Verwijder de accu niet terwijl het gereedschap hangt. Het gereedschap kan vallen als de schroef niet is vastgedraaid.

De gereedschapophanghaak is bedoeld om een touw (tuiriem) aan te bevestigen. Volg de onderstaande stappen om de gereedschapophanghaak aan het gereedschap te bevestigen.

1. Verwijder de accu van het gereedschap.
2. Breng de gereedschapophanghaak vanaf de onderkant van het gereedschap aan, zoals aangegeven in de afbeelding.

► Fig.30

3. Steek het uitsteeksel van de gereedschapophanghaak in de groef aan de linkerkant van het gereedschap.

► Fig.31: 1. Groef 2. Uitsteeksel

OPMERKING: De gereedschapophanghaak kan alleen worden aangebracht in de richting aangegeven in de afbeelding.

4. Draai de schroef stevig vast.

► Fig.32: 1. Schroef

BEDIENING

⚠ LET OP: Gebruik altijd de zijhandgreep (hulphandgreep) en houd het gereedschap tijdens het gebruik stevig vast bij zowel de zijhandgreep als de hoofdhandgreep.

⚠ LET OP: Zorg er altijd vóór gebruik voor dat het werkstuk stevig vast staat.

⚠ LET OP: Trek niet met grote kracht aan het gereedschap, ook niet wanneer de bit klem zit. Als u de controle verliest, kan letsel worden veroorzaakt.

⚠ LET OP: Het stofopvangsysteem is alleen bedoeld voor het boren in beton. Gebruik het stofopvangsysteem niet bij het boren in metaal of hout.

⚠ LET OP: Als u het gereedschap gebruikt met het stofopvangsysteem, zorgt u ervoor dat het filter is bevestigd aan het stofopvangsysteem om inademing van stof te voorkomen.

⚠ LET OP: Voordat u het stofopvangsysteem gebruikt, controleert u of het filter niet beschadigd is. Als u dit niet doet, kan dat leiden tot inademing van stof.

⚠ LET OP: Het stofopvangsysteem voert het vrijgekomen stof met hoge snelheid af, maar niet al het stof kan worden afgevoerd.

KENNISGEVING: Gebruik het stofopvangsysteem niet bij kernboren of beiten.

KENNISGEVING: Gebruik het stofopvangsysteem niet bij het boren in nat beton en gebruik dit systeem niet in een natte omgeving. Als u dit toch doet, kan dat leiden tot een storing.

OPMERKING: Als de temperatuur van de accu laag is, werkt het gereedschap mogelijk niet op volledig vermogen. Warm in dat geval de accu op door het gereedschap enige tijd op nullasttoerental te gebruiken zodat u het volledige vermogen van het gereedschap weer kunt gebruiken.

► Fig.33

Gebruik als hamerboor

⚠ LET OP: Op het moment dat het boorgat doorbreekt, het boorgat verstopt raakt met schilfertjes of metaaldeeltjes, of de klopper de bewapening in het steen raakt, wordt een plotselinge en enorme torsiekracht uitgeoefend op het gereedschap/boorbit. **Gebruik altijd de zijhandgreep (hulphandgreep) en houd het gereedschap tijdens het gebruik stevig vast bij zowel de zijhandgreep als de hoofdhandgreep.** Als u dit niet doet, kunt u de controle over het gereedschap verliezen en mogelijk ernstig letsel veroorzaken.

Draai de werkingsfunctiekeuzeknop naar het symbool . Plaats de punt van de boor op de plaats waar u een gat wilt boren en knijp dan de trekkerschakelaar in. Forceer het gereedschap niet. Een lichte druk geeft de beste resultaten. Houd het gereedschap zorgvuldig op zijn plaats en zorg dat het niet uit het boorgat raakt.

Oefen niet méér druk uit wanneer het boorgat verstopt raakt met schilfertjes of boorgruis. Laat daarentegen het gereedschap "stationair" draaien en trek de boor gedeeltelijk terug uit het boorgat. Door dit enkele malen te herhalen, kunt u het boorgat gruisvrij maken, zodat u het normale boren kunt hervatten.

OPMERKING: Terwijl het gereedschap onbelast wordt gebruikt, kan de boor excentrisch draaien. Het gereedschap centreert zichzelf automatisch tijdens het gebruik. Dit heeft geen nadelige invloed op de nauwkeurigheid van het boren.

Beitelen, bikken en slopen

Draai de werkingsfunctiekeuzeknop naar het symbool .

Houd het gereedschap met beide handen stevig vast. Schakel het gereedschap in en oefen er enige kracht op uit zodat het gereedschap niet oncontroleerbaar in het rond springt.

Het gereedschap werkt niet efficiënter als u grote druk op het gereedschap uitoefent.

► Fig.34

Boren in hout of metaal

▲LET OP: Houd het gereedschap stevig vast en let vooral goed op wanneer het boorbit door het werkstuk heen breekt. Op het moment dat het boorgat doorbreekt wordt een enorme wringende kracht uitgeoefend op het gereedschap/boorbit.


▲LET OP: Een vastgelopen boorbit kan eenvoudig verwijderd worden door de draairichting te veranderen met de omkeerschakelaar, om zo het boorbit eruit te draaien. Houd het gereedschap daarbij wel stevig vast, want er is kans op een plotselinge terugslag.

▲LET OP: Zet het werkstuk altijd vast in een bankschroef of soortgelijke klemvoorziening.

KENNISGEVING: Gebruik nooit "Hamerboren" wanneer de adapterboorkop op het gereedschap is aangebracht. De adapterboorkop kan worden beschadigd.

Bovendien zal de adapterboorkop loskomen wanneer de draairichting van het gereedschap wordt omgekeerd.

KENNISGEVING: Het boren zal niet sneller verlopen als u hard op het gereedschap drukt. In feite zal dergelijk hard drukken alleen maar leiden tot beschadiging van het boorbit, lagere prestaties van het gereedschap en een kortere levensduur van het gereedschap.


Draai de werkingsfunctiekeuzeknop naar het symbool .

Bevestig de boorkopadapter aan een sleutellose boorkop waarop een schroefmaat 1/2"-20 kan worden aangebracht, en breng deze daarna aan op het gereedschap. Voor het aanbrengen ervan raadpleegt u het tekstdeel "Het boorbit aanbrengen of verwijderen".

► Fig.35: 1. Boorkopmontage 2. Boorkopadapter

Diamantkernboren

KENNISGEVING: Als u werkzaamheden met diamantkernboren uitvoert in de stand "hamerboren", kan de diamantkernboor worden beschadigd.

Als u werkzaamheden met diamantkernboren uitvoert, draait u de instelknop altijd naar de stand  om "alleen boren" te gebruiken.

Het stof van het filter afkloppen

Optioneel accessoire

▲LET OP: Draai de knop op de stofopvangdoos niet terwijl de stofopvangdoos van het stofopvangsysteem af is gehaald. Als u dit toch doet, kan dat leiden tot inademing van stof.

▲LET OP: Schakel het gereedschap altijd uit voordat u de knop op de stofopvangdoos draait. Als u de knop draait terwijl het gereedschap in werking is, kunt u de controle over het gereedschap verliezen.

Door het stof van het filter binnenin de stofopvangdoos af te kloppen, behoudt u de efficiëntie van de stofzuiger en verlaagt u tevens het aantal keren dat u het stof moet weggoaien.

Draai de knop op de stofopvangdoos drie keer rond na het verzamelen van 50.000 mm³ aan stof, of wanneer u de indruk krijgt dat de prestaties van de stofzuiger zijn afgenomen.

OPMERKING: 50.000 mm³ aan stof komt overeen met het boren van 10 gaten van $\varnothing 10$ mm en 65 mm diep (14 gaten van $\varnothing 3/8"$ en 2" diep).

► Fig.36: 1. Stofopvangdoos 2. Knop

Het stof weggoaien

Optioneel accessoire

▲LET OP: Zorg altijd dat het gereedschap is uitgeschakeld en de accu ervan is verwijderd alvorens enig werk aan het gereedschap uit te voeren.

▲LET OP: U moet een stofmasker dragen wanneer u het stof weggooit.

▲LET OP: Maak de stofopvangdoos regelmatig leeg, voordat hij vol is. Als u dit niet doet, wordt het stof mogelijk minder goed opgevangen en kan dat leiden tot inademing van stof.

▲LET OP: Het stof wordt minder goed opgevangen als het filter in de stofopvangdoos verstopt is. Vervang het filter door een nieuwe nadat de stofopvangdoos ongeveer 200 keer is geleegd. Als u dit niet doet, kan dat leiden tot inademing van stof.

1. Houd de hendel van de stofopvangdoos omlaag gedrukt en verwijder de stofopvangdoos.

► Fig.37: 1. Hendel

2. Open het deksel van de stofopvangdoos.

► Fig.38: 1. Deksel

3. Gooi het stof weg en reinig het filter.

► Fig.39

KENNISGEVING: Voor het reinigen van het filter mag u geen borstel of iets dergelijks gebruiken, en geen perslucht tegen het filter blazen. Hierdoor kan het filter worden beschadigd.

Luchtblazer

Optioneel accessoire

Nadat het gat geboord is, gebruikt u de luchtblazer om het stof uit het gat te blazen.

► Fig.40

De stofvangerset gebruiken

Optioneel accessoire

Houd de stofvangerset tegen het plafond wanneer u het gereedschap bedient.

► Fig.41

KENNISGEVING: Gebruik de stofvangerset niet bij het boren in metaal of dergelijke. Door de warmte die wordt gegenereerd door kleine metalen deeltjes en dergelijke kan de stofvangerset worden beschadigd.

KENNISGEVING: U mag de stofvangerset niet aanbrengen of verwijderen terwijl het boorbit in het gereedschap is aangebracht. Hierdoor kan de stofvangerset worden beschadigd waardoor stof vrijkomt.

Het touw (tuiem) vastmaken aan de gereedschapophanghaak

⚠ Veiligheidswaarschuwingen specifiek voor werken op hoogte

Lees alle veiligheidswaarschuwingen en alle instructies. Het niet volgen van de waarschuwingen en instructies kan leiden tot ernstig letsel.

1. Houd het gereedschap altijd vastgebonden tijdens het werken 'op hoogte'. De maximale lengte van het touw is 2 m.
2. Gebruik uitsluitend met een touw dat geschikt is voor dit type gereedschap en een draagvermogen heeft van minstens 4,5 kg.
3. Veranker het touw van het gereedschap niet aan iets op uw lichaam of aan een verplaatsbaar voorwerp. Veranker het touw van het gereedschap aan een stevige constructie die de krachten van een vallend gereedschap kan opvangen.
4. Verzeker u er vóór gebruik van dat het touw goed is vastgemaakt aan beide uiteinden.
5. Inspecteer het gereedschap en touw vóór elk gebruik op beschadigingen en correcte werking (inclusief het materiaal en de stiksels). Gebruik het niet wanneer het beschadigd is of niet correct werkt.
6. Wikkel touwen niet rondom scherpe of ruwe randen en laat ze er niet mee in aanraking komen.
7. Bevestig het andere uiteinde van het touw buiten het werkgebied zodat een vallend gereedschap stevig bevestigd blijft.
8. Bevestig het touw zodanig dat het gereedschap tijdens het vallen zich verwijderd van de gebruiker. Een gereedschap dat valt zal aan het touw slingeren, waardoor letsel kan worden veroorzaakt of u uw evenwicht kunt verliezen.

9. Gebruik niet nabij bewegende onderdelen of draaiende machines. Als u zich hier niet aan houdt, kan dat leiden tot beknellingsgevaar of verstrikkingsgevaar.
10. Draag het gereedschap niet aan de bevestigingsvoorziening of het touw.
11. Verplaats het gereedschap uitsluitend tussen uw handen terwijl u een goed evenwicht hebt.
12. Bevestig een touw niet aan het gereedschap op een manier waardoor schakelaars of de trekkervergrendeling (indien aanwezig) niet correct kunnen werken.
13. Voorkom dat u verstrikt raakt in het touw.
14. Houd het touw uit de buurt van het boorge-deelte van het gereedschap.
15. Gebruik multiactie-karabijnhaken en karabijnhaken met schroefsluiting. Gebruik geen enkelvoudige karabijnhaken met veersluiting.
16. In het geval een gereedschap valt, moet het worden gelabeld en buiten bedrijf gesteld, en moet het worden geïnspecteerd door de Makita-fabriek of een Makita-servicecentrum.

► Fig.42: 1. Gereedschapophanghaak 2. Touw (tuiem)

FUNCTIE VOOR DRAADLOOS INSCHAKELEN

Optioneel accessoire

Mogelijkheden van de functie voor draadloos inschakelen

Met de functie voor draadloos inschakelen kunt u schoon en comfortabel werken. Door een ondersteunde stofzuiger aan te sluiten op het gereedschap, kunt u de stofzuiger automatisch laten in- en uitschakelen bij bediening van de schakelaar van het gereedschap.

► Fig.43

Om de functie voor draadloos inschakelen te gebruiken, dient u de volgende zaken voor te bereiden:

- Een draadloos-eenheid (optioneel accessoire)
- Een stofzuiger die de functie voor draadloos inschakelen ondersteunt

In het kort bestaat het instellen van de functie voor draadloos inschakelen uit de volgende punten. Raadpleeg elke paragraaf voor informatie over de procedure.

1. De draadloos-eenheid aanbrengen
2. Registratie van het gereedschap op de stofzuiger
3. De functie voor draadloos inschakelen starten

De draadloos-eenheid aanbrengen

Optioneel accessoire

⚠ LET OP: Plaats het gereedschap op een vlakke en stabiele ondergrond wanneer u de draadloos-eenheid aanbrengt.

KENNISGEVING: Verwijder het stof en vuil vanaf het gereedschap voordat u de draadloos-eenheid aanbrengt. Stof en vuil kunnen een storing veroorzaken wanneer ze binnendringen in de gleuf voor de draadloos-eenheid.

KENNISGEVING: Om een storing als gevolg van statische elektriciteit te voorkomen, raakt u een materiaal aan dat statische elektriciteit ontlaaft, zoals een metalen onderdeel van het gereedschap, voordat u de draadloos-eenheid oppakt.

KENNISGEVING: Let er bij het aanbrengen van de draadloos-eenheid altijd op dat de draadloos-eenheid in de correcte richting wordt aangebracht en dat de afdekking volledig wordt gesloten.

1. Open de afdekking op het gereedschap, zoals aangegeven in de afbeelding.

► Fig.44: 1. Afdekking

2. Breng de draadloos-eenheid aan in de gleuf en sluit vervolgens de afdekking.

Wanneer u de draadloos-eenheid aanbrengt, lijnt u de uitsteeksel uit met de uitsparingen in de gleuf.

► Fig.45: 1. Draadloos-eenheid 2. Uitsteeksel 3. Afdekking 4. Uitsparing

Wanneer u de draadloos-eenheid verwijdert, opent u langzaam de afdekking. De haken op de achterkant van de afdekking, tillen de draadloos-eenheid op terwijl u de afdekking omhoog trekt.

► Fig.46: 1. Draadloos-eenheid 2. Haak 3. Afdekking

Nadat de draadloos-eenheid is verwijderd, bewaart u hem in de bijgeleverde doos of een antistatische container.

KENNISGEVING: Gebruik altijd de haken op de achterkant van de afdekking wanneer u de draadloos-eenheid verwijdert. Als de haken niet aangrijpen op de draadloos-eenheid, sluit u de afdekking volledig en opent u hem weer langzaam.

Registratie van het gereedschap op de stofzuiger

OPMERKING: Een stofzuiger van Makita die de functie voor draadloos inschakelen ondersteunt, is vereist voor registratie van het gereedschap.

OPMERKING: Voltooi het aanbrengen van de draadloos-eenheid in het gereedschap voordat u de registratie van het gereedschap start.

OPMERKING: Gedurende de registratie van het gereedschap mag u de trekkerschakelaar van het gereedschap niet inknippen en de aan-uitknop van de stofzuiger niet bedienen.

OPMERKING: Raadpleeg tevens de gebruiksaanwijzing van de stofzuiger.

Als u wilt dat de stofzuiger wordt ingeschakeld tegelijk met de bediening van de schakelaar van het gereedschap, moet u van tevoren de registratie van het gereedschap voltooien.

1. Breng de accu's aan in de stofzuiger en het gereedschap.
2. Zet de standbyschakelaar op de stofzuiger op "AUTO".
► Fig.47: 1. Standbyschakelaar

3. Houd de knop voor draadloos inschakelen op de stofzuiger gedurende 3 seconden ingedrukt totdat de lamp van draadloos inschakelen groen knippert. En houd daarna op dezelfde manier de knop voor draadloos inschakelen op het gereedschap ingedrukt.

► Fig.48: 1. Knop voor draadloos inschakelen
2. Lamp van draadloos inschakelen

Nadat de stofzuiger en het gereedschap met succes aan elkaar zijn gekoppeld, zullen de lampen van draadloos inschakelen gedurende 2 seconden groen branden, waarna ze blauw gaan knipperen.

OPMERKING: De lampen van draadloos inschakelen stoppen na 20 seconden met groen knipperen. Druk op de knop voor draadloos inschakelen op het gereedschap terwijl de lamp van draadloos inschakelen op de stofzuiger knippert. Als de lamp van draadloos inschakelen niet groen knippert, drukt u kort op de knop voor draadloos inschakelen en houdt u deze weer ingedrukt.

OPMERKING: Als u twee of meer gereedschappen registreert op één stofzuiger, voltooit u de registratie van de gereedschappen één voor één.

De functie voor draadloos inschakelen starten

OPMERKING: Voltooi de registratie van het gereedschap op de stofzuiger voordat u de functie draadloos inschakelen gebruikt.

OPMERKING: Raadpleeg tevens de gebruiksaanwijzing van de stofzuiger.

Nadat een gereedschap in de stofzuiger is geregistreerd, wordt de stofzuiger automatisch in- en uitgeschakeld door de bediening van de schakelaar van het gereedschap.

1. Breng de draadloos-eenheid aan in het gereedschap.
2. Sluit de slang van de stofzuiger aan op het gereedschap.
► Fig.49

3. Zet de standbyschakelaar op de stofzuiger op "AUTO".
► Fig.50: 1. Standbyschakelaar

4. Druk kort op de knop voor draadloos inschakelen op het gereedschap. De lamp van draadloos inschakelen knippert blauw.

► Fig.51: 1. Knop voor draadloos inschakelen
2. Lamp van draadloos inschakelen

5. Knijp de trekschakelaar van het gereedschap in. Controleer of de stofzuiger wordt ingeschakeld wanneer de trekkerschakelaar wordt ingeknepen.

Om het draadloos inschakelen van de stofzuiger te stoppen, drukt u op de knop voor draadloos inschakelen op het gereedschap.

OPMERKING: De lamp van draadloos inschakelen op het gereedschap stopt met blauw knipperen wanneer gedurende 2 uur geen bediening plaatsvindt. In dat geval zet u de standby-schakelaar van de stofzuiger op "AUTO" en drukt u nogmaals op de knop voor draadloos inschakelen op het gereedschap.

OPMERKING: De stofzuiger wordt met een vertraging in- en uitgeschakeld. Er treedt een tijdsvertraging op wanneer de stofzuiger de bediening van de schakelaar van het gereedschap detecteert.










OPMERKING: Het zendbereik van de draadloos-eenheid kan variëren afhankelijk van de locatie en omgevingsomstandigheden.

OPMERKING: Als twee of meer gereedschappen zijn geregistreerd in één stofzuiger, kan de stofzuiger worden ingeschakeld ondanks dat u niet de trekkersschakelaar inknijpt omdat een andere gebruiker de functie voor draadloos inschakelen gebruikt.

Beschrijving van de status van de lamp van draadloos inschakelen

► Fig.52: 1. Lamp van draadloos inschakelen

De lamp van draadloos inschakelen toont de status van de functie voor draadloos inschakelen. Raadpleeg de onderstaande tabel voor de betekenis van de status van de lamp.

Status	Lamp van draadloos inschakelen				Beschrijving
	Kleur	 Brandt	 Knippert	Duur	
Standby	Blauw			2 uur	Het draadloos inschakelen van de stofzuiger is beschikbaar. De lamp wordt automatisch uitgeschakeld wanneer gedurende 2 uur geen bediening plaatsvindt.
				Bij ingeschakeld gereedschap.	Het draadloos inschakelen van de stofzuiger is beschikbaar en het gereedschap is ingeschakeld.
Registratie van het gereedschap	Groen			20 seconden	Klaar voor registratie van het gereedschap. Wachten op registratie door de stofzuiger.
				2 seconden	De registratie van het gereedschap is voltooid. De lamp van draadloos inschakelen knippert blauw.
Registratie van het gereedschap annuleren	Rood			20 seconden	Klaar om de registratie van het gereedschap te annuleren. Wachten op annuleren door de stofzuiger.
				2 seconden	Het annuleren van de registratie van het gereedschap is voltooid. De lamp van draadloos inschakelen knippert blauw.
Overig	Rood			3 seconden	De draadloos-eenheid wordt van stroom voorzien en de functie voor draadloos inschakelen start nu op.
	Uit	-		-	Het draadloos inschakelen van de stofzuiger is gestopt.

Registratie van het gereedschap op de stofzuiger annuleren

Voer de volgende procedure uit om de registratie van het gereedschap in de stofzuiger te annuleren.

1. Breng de accu's aan in de stofzuiger en het gereedschap.
2. Zet de standbyschakelaar op de stofzuiger op "AUTO".

► Fig.53: 1. Standbyschakelaar

3. Houd de knop voor draadloos inschakelen op de stofzuiger gedurende 6 seconden ingedrukt. De lamp van draadloos inschakelen knippert groen en brandt daarna rood. Houd daarna op dezelfde manier de knop voor draadloos inschakelen op het gereedschap ingedrukt.

► Fig.54: 1. Knop voor draadloos inschakelen 2. Lamp van draadloos inschakelen

Als het annuleren met succes is uitgevoerd, zullen de lampen van draadloos inschakelen gedurende 2 seconden rood branden, waarna ze blauw gaan knipperen.

OPMERKING: De lampen van draadloos inschakelen stoppen na 20 seconden met rood knipperen. Druk op de knop voor draadloos inschakelen op het gereedschap terwijl de lamp van draadloos inschakelen op de stofzuiger knippert. Als de lamp van draadloos inschakelen niet rood knippert, drukt u kort op de knop voor draadloos inschakelen en houdt u deze weer ingedrukt.

Storingzoeken van de functie voor draadloos inschakelen

Alvorens u verzoekt om reparatie, kunt u zelf als volgt het probleem opsporen en oplossen. Als u met een probleem kampt dat in deze handleiding niet wordt beschreven, probeer dan niet het gereedschap te demonteren. Laat reparaties over aan een erkend Makita-servicecentrum, uitsluitend met gebruik van originele Makita-ervangingsonderdelen.

Probleemomschrijving	Waarschijnlijke oorzaak (storing)	Oplossing
De lamp van draadloos inschakelen brandt/knippert niet.	De draadloos-eenheid is niet aangebracht in het gereedschap. De draadloos-eenheid is verkeerd aangebracht in het gereedschap.	Breng de draadloos-eenheid op de juiste wijze aan.
	De aansluitingen van de draadloos-eenheid en/of de gleuf zijn vuil.	Veeg het stof en vuil op de aansluitingen van de draadloos-eenheid voorzichtig af en reinig de gleuf.
	Er is niet op de knop voor draadloos inschakelen op het gereedschap gedrukt.	Druk kort op de knop voor draadloos inschakelen op het gereedschap.
	De standbyschakelaar op de stofzuiger is niet op "AUTO" gezet.	Zet de standbyschakelaar op de stofzuiger op "AUTO".
	Geen voeding.	Voorzie het gereedschap en de stofzuiger van voeding.
De registratie van het gereedschap/het annuleren van de registratie van het gereedschap kan niet met succes worden voltooid.	De draadloos-eenheid is niet aangebracht in het gereedschap. De draadloos-eenheid is verkeerd aangebracht in het gereedschap.	Breng de draadloos-eenheid op de juiste wijze aan.
	De aansluitingen van de draadloos-eenheid en/of de gleuf zijn vuil.	Veeg het stof en vuil op de aansluitingen van de draadloos-eenheid voorzichtig af en reinig de gleuf.
	De standbyschakelaar op de stofzuiger is niet op "AUTO" gezet.	Zet de standbyschakelaar op de stofzuiger op "AUTO".
	Geen voeding.	Voorzie het gereedschap en de stofzuiger van voeding.
	Onjuiste bediening	Druk kort op de knop voor draadloos inschakelen en voer de procedures voor de registratie/het annuleren van de registratie opnieuw uit.
	Het gereedschap en de stofzuiger staan te ver uit elkaar (buiten het zendbereik).	Plaats het gereedschap en de stofzuiger dicht bij elkaar. Het maximale zendbereik is ongeveer 10 meter, echter, dit kan verschillen afhankelijk van de omstandigheden.
	Alvorens de registratie/het annuleren van de registratie te voltooien: - is de trekschakelaar van het gereedschap ingeknepen, of - is de aan-uitknop van de stofzuiger bediend.	Druk kort op de knop voor draadloos inschakelen en voer de procedures voor de registratie/het annuleren van de registratie opnieuw uit.
	De procedure voor de registratie van het gereedschap op het gereedschap of de stofzuiger is niet voltooid.	Voer de procedure voor de registratie van het gereedschap tegelijkertijd uit op het gereedschap en de stofzuiger.
Radiostoring door andere apparaten die sterke radiogolven genereren.	Houd het gereedschap en de stofzuiger uit de buurt van apparaten zoals Wi-Fi-apparaten en magnetrons.	

Probleemomschrijving	Waarschijnlijke oorzaak (storing)	Oplossing
De stofzuiger wordt niet in- en uitgeschakeld tegelijk met de bediening van de schakelaar van het gereedschap.	De draadloos-eenheid is niet aangebracht in het gereedschap. De draadloos-eenheid is verkeerd aangebracht in het gereedschap.	Breng de draadloos-eenheid op de juiste wijze aan.
	De aansluitingen van de draadloos-eenheid en/of de gleuf zijn vuil.	Veeg het stof en vuil op de aansluitingen van de draadloos-eenheid voorzichtig af en reinig de gleuf.
	Er is niet op de knop voor draadloos inschakelen op het gereedschap gedrukt.	Druk kort op de knop voor draadloos inschakelen en controleer of de lamp van draadloos inschakelen blauw knippert.
	De standbyschakelaar op de stofzuiger is niet op "AUTO" gezet.	Zet de standbyschakelaar op de stofzuiger op "AUTO".
	Meer dan 10 gereedschappen zijn geregistreerd in de stofzuiger.	Voer de registratie van het gereedschap opnieuw uit. Als meer dan 10 gereedschappen zijn geregistreerd in de stofzuiger, wordt de eerste registratie van een gereedschap automatisch gewist.
	De stofzuiger heeft alle registraties van de gereedschappen gewist.	Voer de registratie van het gereedschap opnieuw uit.
	Geen voeding.	Voorzie het gereedschap en de stofzuiger van voeding.
	Het gereedschap en de stofzuiger staan te ver uit elkaar (buiten het zendbereik).	Plaats het gereedschap en de stofzuiger dicht bij elkaar. Het maximale zendbereik is ongeveer 10 meter, echter, dit kan verschillen afhankelijk van de omstandigheden.
	Radiostoring door andere apparaten die sterke radiogolven genereren.	Houd het gereedschap en de stofzuiger uit de buurt van apparaten zoals Wi-Fi-apparaten en magnetrons.
De stofzuiger wordt ingeschakeld terwijl de trekkerschakelaar van het gereedschap niet wordt ingeknepen.	Andere gebruikers gebruiken op hun gereedschap de functie voor draadloos inschakelen van de stofzuiger.	Schakel de knop voor draadloos inschakelen van de andere gereedschappen uit of annuleer de registratie van de andere gereedschappen.

ONDERHOUD

⚠ LET OP: Zorg altijd dat het gereedschap is uitgeschakeld en de accu ervan is verwijderd alvorens te beginnen met onderhoud of inspectie.

KENNISGEVING: Gebruik nooit benzine, wasbenzine, thinner, alcohol en dergelijke. Hierdoor kunnen verkleuring, vervormingen en barsten worden veroorzaakt.

Om de VEILIGHEID en BETROUWBAARHEID van het gereedschap te handhaven, dienen alle reparaties, onderhoud of afstellingen te worden uitgevoerd bij een erkend Makita-servicecentrum of de Makita-fabriek, en altijd met gebruik van Makita-ervangingsonderdelen.

Het filter in de stofopvangdoos vervangen

Optioneel accessoire

- Houd de hendel van de stofopvangdoos omlaag gedrukt en verwijder de stofopvangdoos.
► **Fig.55:** 1. Hendel
- Steek een platkopschroevendraaier in de sleuven van het filterdeksel om het filterdeksel te verwijderen.
► **Fig.56:** 1. Platkopschroevendraaier 2. Filterdeksel
- Verwijder het filter uit het filterhuis.
► **Fig.57:** 1. Filter 2. Filterhuis
- Breng een nieuw filter aan in het filterhuis en bevestig daarna het filterdeksel.
- Sluit het deksel van de stofopvangdoos en bevestig deze daarna aan het stofopvangsysteem.

De afdichtdop vervangen

Optioneel accessoire

Als de afdichtdop versleten is, wordt het stof minder goed opgevangen. Vervang hem als hij versleten is. Verwijder de afdichtdop en bevestig vervolgens een nieuwe met het uitsteeksel omhoog gericht.
► **Fig.58:** 1. Uitsteeksel 2. Afdichtdop

OPTIONELE ACCESSOIRES

⚠ LET OP: Deze accessoires of hulpstukken worden aanbevolen voor gebruik met het Makita gereedschap dat in deze gebruiksaanwijzing is beschreven. Bij gebruik van andere accessoires of hulpstukken bestaat het gevaar van persoonlijke letsel. Gebruik de accessoires of hulpstukken uitsluitend voor hun bestemde doel.

Wenst u meer bijzonderheden over deze accessoires, neem dan contact op met het plaatselijke Makita-servicecentrum.

- Boren met een hardmetalen punt (SDS-plus-bits met een hardmetalen punt)
- Kernboor
- Puntbeitel
- Diamantkernboor
- Koudbeitel
- Bikbeitel
- Groefbeitel
- Boorkopadapter
- Sleutelloze boorkop
- Boorvet
- Dieptemaat
- Luchtblazer
- Stofvanger
- Stofvangerset
- Stofopvangsysteem
- Draadloos-eenheid
- Haak
- Gereedschapophanghaak
- Originele Makita accu's en acculaders
- Veiligheidsbril
- Kunststof koffer

OPMERKING: Sommige items op de lijst kunnen zijn inbegrepen in de doos van het gereedschap als standaard toebehoren. Deze kunnen van land tot land verschillen.

ESPECIFICACIONES

Modelo:		DHR182
Capacidades	Cemento	18 mm
	Barrena tubular	35 mm
	Barrena tubular de diamante (tipo seco)	32 mm
	Acero	13 mm
	Madera	24 mm
Velocidad sin carga		0 - 1.350 min ⁻¹
Percusiones por minuto		0 - 5.000 min ⁻¹
Longitud total		301 mm
Tensión nominal		CC 18 V
Peso neto		2,4 - 3,2 kg

Accesorio opcional

Modelo:		DX05
Rendimiento de succión		250 l/min
Carrera de operación		Hasta 90 mm
Broca apropiada		Hasta 160 mm
Peso neto		0,9 kg

- Debido a nuestro continuado programa de investigación y desarrollo, las especificaciones aquí dadas están sujetas a cambios sin previo aviso.
- Las especificaciones y el cartucho de batería pueden diferir de país a país.
- El peso puede variar dependiendo del accesorio(s), incluyendo el cartucho de batería. La combinación menos pesada y la más pesada, de acuerdo con el procedimiento EPTA 01/2014, se muestran en la tabla.

Cartucho de batería aplicable

BL1815N / BL1820 / BL1820B / BL1830 / BL1830B / BL1840 / BL1840B / BL1850 / BL1850B / BL1860B

- Algunos de los cartuchos de batería indicados arriba puede que no estén disponibles dependiendo de su región de residencia.

⚠ADVERTENCIA: Utilice solamente los cartuchos de batería listados arriba. La utilización de cualquier otro cartucho de batería puede ocasionar heridas y/o un incendio.

Uso previsto

La herramienta ha sido prevista para perforar con percusión y perforar en ladrillo, hormigón y piedra así como también para trabajo de cincelado. También es apropiada para perforar sin impacto en madera, metal, cerámica y plástico.

Ruido

El nivel de ruido A-ponderado típico determinado de acuerdo con la norma EN60745-2-6:

Modelo DHR182

Nivel de presión sonora (L_{pA}) : 89 dB (A)
 Nivel de potencia sonora (L_{WA}) : 100 dB (A)
 Error (K) : 3 dB (A)

Modelo DHR182 con DX05

Nivel de presión sonora (L_{pA}) : 90 dB (A)
 Nivel de potencia sonora (L_{WA}) : 101 dB (A)
 Error (K) : 3 dB (A)

NOTA: El valor (o los valores) de emisión de ruido declarado ha sido medido de acuerdo con un método de prueba estándar y se puede utilizar para comparar una herramienta con otra.

NOTA: El valor (o valores) de emisión de ruido declarado también se puede utilizar en una valoración preliminar de exposición.

⚠ADVERTENCIA: Póngase protectores para oídos.

⚠ADVERTENCIA: La emisión de ruido durante la utilización real de la herramienta eléctrica puede variar del valor (o los valores) de emisión declarado dependiendo de las formas en las que la herramienta sea utilizada, especialmente qué tipo de pieza de trabajo se procesa.

⚠ADVERTENCIA: Asegúrese de identificar medidas de seguridad para proteger al operario que estén basadas en una estimación de la exposición en las condiciones reales de utilización (teniendo en cuenta todas las partes del ciclo operativo como las veces cuando la herramienta está apagada y cuando está funcionando en vacío además del tiempo de gatillo).

Vibración

La tabla siguiente muestra el valor total de la vibración (suma de vectores triaxiales) determinado de acuerdo con el estándar aplicable.

Modo de trabajo	Emisión de vibración	Incertidumbre (K)	Estándar aplicable
Perforación con percusión en hormigón ($a_{h, HD}$)	11,0 m/s ²	1,5 m/s ²	EN60745-2-6
Perforación con percusión en hormigón con DX05 ($a_{h, HD}$)	11,0 m/s ²	1,5 m/s ²	EN60745-2-6
Función de cincelado con empuñadura lateral ($a_{h, Cheq}$)	9,0 m/s ²	1,5 m/s ²	EN60745-2-6
Perforación en metal ($a_{h, D}$)	2,5 m/s ²	1,5 m/s ²	EN60745-2-1

NOTA: El valor (o los valores) total de emisión de vibración declarado ha sido medido de acuerdo con un método de prueba estándar y se puede utilizar para comparar una herramienta con otra.

NOTA: El valor (o los valores) total de emisión de vibración declarado también se puede utilizar en una valoración preliminar de exposición.

⚠ADVERTENCIA: La emisión de vibración durante la utilización real de la herramienta eléctrica puede variar del valor (o los valores) de emisión declarado dependiendo de las formas en las que la herramienta sea utilizada, especialmente qué tipo de pieza de trabajo se procesa.

⚠ADVERTENCIA: Asegúrese de identificar medidas de seguridad para proteger al operario que estén basadas en una estimación de la exposición en las condiciones reales de utilización (teniendo en cuenta todas las partes del ciclo operativo como las veces cuando la herramienta está apagada y cuando está funcionando en vacío además del tiempo de gatillo).

Declaración CE de conformidad

Para países europeos solamente

La declaración CE de conformidad está incluida como Anexo A de esta manual de instrucciones.

ADVERTENCIAS DE SEGURIDAD

Advertencias de seguridad para herramientas eléctricas en general

⚠ADVERTENCIA: Lea todas las advertencias de seguridad, instrucciones, ilustraciones y especificaciones provistas con esta herramienta eléctrica. Si no sigue todas las instrucciones indicadas abajo podrá resultar en una descarga eléctrica, un incendio y/o heridas graves.

Guarde todas las advertencias e instrucciones para futuras referencias.

El término "herramienta eléctrica" en las advertencias se refiere a su herramienta eléctrica de funcionamiento con conexión a la red eléctrica (con cable) o herramienta eléctrica de funcionamiento a batería (sin cable).

ADVERTENCIAS DE SEGURIDAD PARA EL MARTILLO ROTATIVO INALÁMBRICO

1. **Póngase protectores de oídos.** La exposición al ruido puede ocasionar pérdida auditiva.
2. **Utilice el mango(s) auxiliar, si se suministra con la herramienta.** Una pérdida del control puede ocasionar heridas personales.

3. Cuando realice una operación en la que el accesorio de corte pueda entrar en contacto con cableado oculto, sujete la herramienta eléctrica por las superficies de aislamiento aisladas. El contacto del accesorio de corte con un cable con corriente hará que la corriente circule por las partes metálicas expuestas de la herramienta eléctrica y podrá soltar una descarga eléctrica al operario.
4. Póngase casco protector (casco de seguridad), gafas de seguridad y/o pantalla facial. Las gafas normales o de sol NO sirven para proteger los ojos. También es muy recomendable ponerse una máscara contra el polvo y guantes espesamente acolchados.
5. Asegúrese de que la broca está sujeta en su sitio antes de iniciar la operación.
6. La herramienta ha sido diseñada de modo que produzca vibración durante la utilización normal. Los tornillos se pueden aflojar fácilmente, ocasionando una rotura o un accidente. Compruebe con cuidado el apriete de los tornillos antes de iniciar la operación.
7. En clima frío o cuando la herramienta no haya sido utilizada durante un tiempo largo, deje que la herramienta se caliente durante un rato utilizándola sin carga. Esto diluirá la lubricación. Sin un calentamiento apropiado, la operación de percusión resultará difícil.
8. Asegúrese siempre de apoyar los pies firmemente. Asegúrese de que no haya nadie debajo cuando utilice la herramienta en lugares altos.
9. Sujete la herramienta firmemente con ambas manos.
10. Mantenga las manos alejadas de las partes en movimiento.
11. No deje la herramienta en marcha. Tenga en marcha la herramienta solamente cuando la tenga en la mano.
12. No apunte la herramienta hacia nadie que esté en el área cuando la esté utilizando. La broca puede salir despedida y herir a alguien gravemente.

13. No toque la broca, las partes cerca de la broca, o la pieza de trabajo inmediatamente después de la operación; podrán estar muy calientes y quemarle la piel.
14. Algunos materiales contienen sustancias químicas que pueden ser tóxicas. Tenga precaución para evitar la inhalación de polvo y el contacto con la piel. Siga los datos de seguridad del abastecedor del material.
15. Asegúrese siempre de que la herramienta está apagada y que el cartucho de batería y la broca han sido retirados antes de entregar la herramienta a otra persona.

GUARDE ESTAS INSTRUCCIONES.

⚠️ ADVERTENCIA: NO deje que la comodidad o familiaridad con el producto (a base de utilizarlo repetidamente) sustituya la estricta observancia de las normas de seguridad para el producto en cuestión. El MAL USO o el no seguir las normas de seguridad establecidas en este manual de instrucciones podrá ocasionar heridas personales graves.

Instrucciones de seguridad importantes para el cartucho de batería

1. Antes de utilizar el cartucho de batería, lea todas las instrucciones e indicaciones de precaución sobre (1) el cargador de baterías, (2) la batería, y (3) el producto con el que se utiliza la batería.
2. No desarme el cartucho de batería.
3. Si el tiempo de uso se acorta demasiado, cese la operación inmediatamente. Podría resultar en un riesgo de recalentamiento, posibles quemaduras e incluso una explosión.
4. Si entra electrolito en sus ojos, aclárelos con agua limpia y acuda a un médico inmediatamente. Existe el riesgo de poder perder la vista.
5. No cortocircuite el cartucho de batería:
 - (1) No toque los terminales con ningún material conductor.
 - (2) Evite guardar el cartucho de batería en un cajón junto con otros objetos metálicos, como clavos, monedas, etc.
 - (3) No exponga el cartucho de batería al agua ni a la lluvia.

Un cortocircuito en la batería puede producir una gran circulación de corriente, un recalentamiento, posibles quemaduras e incluso una rotura de la misma.

6. No guarde la herramienta y el cartucho de batería en lugares donde la temperatura pueda alcanzar o exceder los 50 °C.
7. Nunca incinere el cartucho de batería incluso en el caso de que esté dañado seriamente o ya no sirva en absoluto. El cartucho de batería puede explotar si se tira al fuego.
8. Tenga cuidado de no dejar caer ni golpear el cartucho de batería.
9. No utilice una batería dañada.
10. Las baterías de litio-ion contenidas están sujetas a los requisitos de la Legislación para Materiales Peligrosos. Para transportes comerciales, p.ej., por terceras personas y agentes de transportes, se deberán observar requisitos especiales para el empaquetado y etiquetado.

Para la preparación del artículo que se va a enviar, se requiere consultar con un experto en materiales peligrosos. Por favor, observe también la posibilidad de reglamentos nacionales más detallados. Cubra con cinta aislante o enmascare los contactos expuestos y empaquete la batería de tal manera que no se pueda mover alrededor dentro del embalaje.

11. Siga los reglamentos locales referentes al desecho de la batería.
12. Utilice las baterías solamente con los productos especificados por Makita. La instalación de las baterías en productos no compatibles puede resultar en un incendio, calor excesivo, explosión, o fuga de electrolito.

GUARDE ESTAS INSTRUCCIONES.

⚠️ PRECAUCIÓN: Utilice solamente baterías genuinas de Makita. La utilización de baterías no genuinas de Makita, o baterías que han sido alteradas, puede resultar en una explosión de la batería ocasionando incendios, heridas personales y daños. También anulará la garantía de Makita para la herramienta y el cargador de Makita.

Consejos para alargar al máximo la vida de servicio de la batería

1. Cargue el cartucho de batería antes de que se descargue completamente. Detenga siempre la operación y cargue el cartucho de batería cuando note menos potencia en la herramienta.
2. No cargue nunca un cartucho de batería que esté completamente cargado. La sobrecarga acortará la vida de servicio de la batería.
3. Cargue el cartucho de batería a temperatura ambiente de 10 °C - 40 °C. Si un cartucho de batería está caliente, déjelo enfriar antes de cargarlo.
4. Cargue el cartucho de batería si no lo utiliza durante un periodo de tiempo prolongado (más de seis meses).

Instrucciones de seguridad importantes para la unidad inalámbrica

1. No desmonte o manipule la unidad inalámbrica.
2. Mantenga la unidad inalámbrica alejada de niños pequeños. Si se ingiere accidentalmente, solicite atención médica inmediatamente.
3. Utilice la unidad inalámbrica solamente con herramientas Makita.
4. No exponga la unidad inalámbrica a la lluvia o a condiciones que se pueda mojar.
5. No utilice la unidad inalámbrica en lugares donde la temperatura exceda los 50 °C.
6. No utilice la unidad inalámbrica en lugares donde se encuentren cerca instrumentos médicos, tales como marcapasos cardiacos.
7. No utilice la unidad inalámbrica en lugares donde se encuentren cerca dispositivos automatizados. Si la utiliza, los dispositivos automatizados podrán desarrollar un mal funcionamiento o error.
8. No utilice la unidad inalámbrica en lugares de temperatura alta o lugares donde se pueda generar electricidad estática o ruido eléctrico.

9. La unidad inalámbrica puede producir campos electromagnéticos (CEM), pero no son perjudiciales para el usuario.
10. La unidad inalámbrica es un instrumento de precisión. Tenga cuidado de no dejar caer o golpear la unidad inalámbrica.
11. Evite tocar el terminal de la unidad inalámbrica con las manos desnudas o materiales metálicos.
12. Retire siempre la batería del producto cuando vaya a instalar la unidad inalámbrica en él.
13. Cuando abra la tapa de la ranura, evite los lugares donde polvo y agua puedan entrar en la ranura. Mantenga siempre limpia la abertura de la ranura.
14. Inserte siempre la unidad inalámbrica en la dirección correcta.
15. No presione el botón de activación inalámbrica en la unidad inalámbrica con fuerza ni presione el botón con un objeto de borde cortante.
16. Cierre siempre la tapa de la ranura cuando esté realizando operaciones.
17. No retire la unidad inalámbrica de la ranura mientras se esté suministrando alimentación a la herramienta. Si lo hace podrá ocasionar un mal funcionamiento de la unidad inalámbrica.
18. No retire la etiqueta adhesiva de la unidad inalámbrica.
19. No ponga ninguna etiqueta adhesiva en la unidad inalámbrica.
20. No deje la unidad inalámbrica en un lugar donde se pueda generar electricidad estática o ruido eléctrico.
21. No deje la unidad inalámbrica en un lugar expuesto a mucho calor, tal como dentro de un automóvil aparcado al sol.
22. No deje la unidad inalámbrica en un lugar polvoriento o polvoroso o en un lugar donde se pueda generar gas corrosivo.
23. Un cambio repentino de la temperatura puede cubrir de rocío la unidad inalámbrica. No utilice la unidad inalámbrica hasta que el rocío se haya secado completamente.
24. Cuando limpie la unidad inalámbrica, frote con cuidado con un paño suave y seco. No utilice benzina, disolvente, grasa conductora o algo similar.
25. Cuando almacene la unidad inalámbrica, manténgala en la funda suministrada o en un contenedor libre de electricidad estática.
26. No inserte ningún dispositivo excepto la unidad inalámbrica de Makita en la ranura de la herramienta.
27. No utilice la herramienta con la tapa de la ranura dañada. Si entra en la ranura agua, polvo o suciedad puede ocasionar un mal funcionamiento.
28. No tire de la tapa de la ranura ni la retuerza más de lo necesario. Vuelva a colocar la tapa si se desprende de la herramienta.
29. Reemplace la tapa de la ranura si se pierde o se daña.

GUARDE ESTAS INSTRUCCIONES.

DESCRIPCIÓN DEL FUNCIONAMIENTO

⚠PRECAUCIÓN: Asegúrese siempre de que la herramienta está apagada y el cartucho de batería retirado antes de realizar cualquier ajuste o comprobación en la herramienta.

Instalación o extracción del cartucho de batería

⚠PRECAUCIÓN: Apague siempre la herramienta antes de instalar o retirar el cartucho de batería.

⚠PRECAUCIÓN: Sujete la herramienta y el cartucho de batería firmemente cuando instale o retire el cartucho de batería. Si no sujeta la herramienta y el cartucho de batería firmemente podrán caerse de las manos y resultar en daños a la herramienta y al cartucho de batería y heridas personales.

► Fig.1: 1. Indicador rojo 2. Botón 3. Cartucho de batería

Para retirar el cartucho de batería, deslícelo de la herramienta mientras desliza el botón de la parte frontal del cartucho.

Para instalar el cartucho de batería, alinee la lengüeta del cartucho de batería con la ranura de la carcasa y deslícelo hasta que encaje en su sitio. Insértelo a tope hasta que se bloquee en su sitio produciendo un pequeño chasquido. Si puede ver el indicador rojo en el lado superior del botón, no estará bloqueado completamente.

⚠PRECAUCIÓN: Instale siempre el cartucho de batería completamente hasta que no pueda verse el indicador rojo. En caso contrario, podrá caerse accidentalmente de la herramienta y ocasionarle heridas a usted o a alguien que esté cerca de usted.

⚠PRECAUCIÓN: No instale el cartucho de batería empleando fuerza. Si el cartucho no se desliza al interior fácilmente, será porque no está siendo insertado correctamente.

Modo de indicar la capacidad de batería restante

Solamente para cartuchos de batería con el indicador

► Fig.2: 1. Lámparas indicadoras 2. Botón de comprobación

Presione el botón de comprobación en el cartucho de batería para indicar la capacidad de batería restante. Las lámparas indicadoras se iluminan durante unos pocos segundos.

Lámparas indicadoras			Capacidad restante
Iluminada	Apagada	Parpadeando	
			75% a 100%
			50% a 75%
			25% a 50%
			0% a 25%
			Cargue la batería.
			Puede que la batería no esté funcionando bien.

NOTA: Dependiendo de las condiciones de utilización y de la temperatura ambiente, la indicación podrá variar ligeramente de la capacidad real.

Sistema de protección de la herramienta / batería

La herramienta está equipada con un sistema de protección de la herramienta/batería. Este sistema corta automáticamente la alimentación al motor para alargar la vida de servicio de la herramienta y la batería. La herramienta se detendrá automáticamente durante la operación si la herramienta o la batería es puesta en una de las condiciones siguientes:

Protección contra sobrecarga

Cuando la batería sea operada de manera que le haga extraer una corriente anormalmente alta, la herramienta se detendrá automáticamente sin ninguna indicación. En esta situación, apague la herramienta y detenga la aplicación que ocasiona la sobrecarga de la herramienta. Después encienda la herramienta para volver a empezar.

Protección contra el recalentamiento

Cuando la herramienta o la batería se recalienta, la herramienta se detiene automáticamente. En este caso, deje que la herramienta y la batería se enfríen antes de encender la herramienta otra vez.

NOTA: Cuando la herramienta está recalentada, la lámpara parpadea.

Protección contra descarga excesiva

Cuando la capacidad de batería no es suficiente, la herramienta se detiene automáticamente. En este caso, retire la batería de la herramienta y cargue la batería.

Accionamiento del interruptor

⚠ADVERTENCIA: Antes de insertar el cartucho de batería en la herramienta, compruebe siempre para cerciorarse de que el gatillo interruptor se acciona debidamente y que vuelve a la posición "OFF" cuando lo suelta.

► **Fig.3:** 1. Gatillo interruptor

Para poner en marcha la herramienta, simplemente apriete el gatillo interruptor. La velocidad de la herramienta aumenta incrementando la presión en el gatillo interruptor. Suelte el gatillo interruptor para parar.

Encendido de la lámpara delantera

► **Fig.4:** 1. Lámpara

⚠PRECAUCIÓN: No mire a la luz ni vea la fuente de luz directamente.

Apriete el gatillo interruptor para encender la lámpara. La lámpara seguirá encendida mientras el gatillo interruptor esté siendo apretado. La lámpara se apagará 10 segundos aproximadamente después de soltar el gatillo interruptor.

NOTA: Utilice un paño seco para quitar la suciedad de la lente de la lámpara. Tenga cuidado de no rayar la lente de la lámpara, porque podrá disminuir la iluminación.

Accionamiento del interruptor inversor

► **Fig.5:** 1. Palanca del interruptor inversor

⚠PRECAUCIÓN: Confirme siempre la dirección de giro antes de la operación.

⚠PRECAUCIÓN: Utilice el interruptor inversor solamente después de que la herramienta se haya parado completamente. Si cambia la dirección de giro antes de que la herramienta se haya parado podrá dañarla.

⚠PRECAUCIÓN: Cuando no esté utilizando la herramienta, ponga siempre la palanca del interruptor inversor en la posición neutral.

Esta herramienta tiene un interruptor inversor para cambiar la dirección de giro. Presione hacia dentro la palanca del interruptor inversión del lado A para giro hacia la derecha o del lado B para giro hacia la izquierda.


Cuando la palanca del interruptor inversor está en la posición neutral, el gatillo interruptor no se puede apretar.

Selección del modo de accionamiento

AVISO: No gire el pomo de cambio del modo de accionamiento cuando la herramienta esté en marcha. La herramienta se dañará.

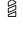
AVISO: Para evitar un desgaste rápido del mecanismo de cambio de modo, asegúrese de que el pomo de cambio del modo de accionamiento está siempre situado en uno de los tres modos de accionamiento.

Giro con percusión

Para perforar en hormigón, mampostería, etc., gire el pomo de cambio del modo de accionamiento hasta el símbolo . Utilice una broca con punta de carburo de tungsteno (accesorio opcional).

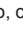
► **Fig.6:** 1. Giro con percusión 2. Pomo de cambio del modo de accionamiento

Giro solamente

Para perforar en madera, metal o materiales de plástico, gire el pomo de cambio del modo de accionamiento hasta el símbolo . Utilice una broca helicoidal o broca para madera.

► **Fig.7:** 1. Giro solamente

Percusión solamente

Para operaciones de desincrustar, decapar o demoler, gire el pomo de cambio del modo de accionamiento hasta el símbolo . Utilice un barreno, cortafíos, cincel desincrustador, etc.

► **Fig.8:** 1. Percusión solamente

Ajuste de la posición de la boquilla del sistema de recolección de polvo

Accesorio opcional

Empuje hacia dentro la guía mientras empuja hacia arriba el botón de ajuste de la guía, y después suelte el botón en la posición deseada.

► **Fig.9:** 1. Guía 2. Botón de ajuste de la guía

NOTA: Antes de ajustar la posición de la boquilla, suelte la boquilla hacia delante por completo empujando hacia arriba el botón de ajuste de la guía.

Ajuste de la profundidad de perforación del sistema de recolección de polvo

Accesorio opcional

Deslice el botón de ajuste de profundidad hasta la posición deseada mientras lo empuja hacia arriba. La distancia (A) es la profundidad de perforación.

► **Fig.10:** 1. Botón de ajuste de la profundidad

Limitador del par de torsión

AVISO: En cuanto se accione el limitador del par de torsión, apague la herramienta inmediatamente. Esto ayudará a evitar un desgaste prematuro de la herramienta.

AVISO: Las brocas tales como las sierras cilíndricas, que tienden a pincharse o engancharse fácilmente en el agujero, no son apropiadas para esta herramienta. Esto es así porque harán que el limitador del par de torsión actúe con mucha frecuencia.

El limitador del par de torsión se acciona cuando se alcanza un cierto nivel de torsión. El motor se desembragará del eje de salida. Cuando ocurra esto, la broca dejará de girar.

Función electrónica

La herramienta está equipada con funciones electrónicas para facilitar su funcionamiento.

- Control de velocidad constante
La función de control de velocidad brinda la velocidad de rotación constante independientemente de las condiciones de carga.

MONTAJE

PRECAUCIÓN: Asegúrese siempre de que la herramienta está apagada y el cartucho de batería retirado antes de realizar cualquier trabajo en la herramienta.

Empuñadura lateral (mango auxiliar)

PRECAUCIÓN: Utilice siempre la empuñadura lateral para garantizar una operación segura.

PRECAUCIÓN: Después de instalar o ajustar la empuñadura lateral, asegúrese de que la empuñadura lateral está sujeta firmemente.

Instale la empuñadura lateral de forma que las acanaladuras en la empuñadura encajen en las protuberancias en el barril de la herramienta. Gire la empuñadura hacia la derecha para sujetarla. La empuñadura se puede fijar en el ángulo deseado.

► **Fig.11:** 1. Empuñadura lateral

Grasa

Cubra el extremo de la espiga de la broca previamente con una pequeña cantidad de grasa (aprox. 0,5 - 1 g). Esta lubricación del mandril asegurará un accionamiento suave y una vida de servicio más larga.

Instalación o desmontaje de la broca

Limpie el extremo de la espiga de la broca y aplique grasa antes de instalar la broca.

► **Fig.12:** 1. Extremo de la espiga 2. Grasa

Inserte la broca en la herramienta. Gire la broca y empujela hasta que se acople.
Después de instalar la broca, asegúrese siempre de que la broca está sujeta firmemente en su sitio intentando sacarla.

► **Fig.13:** 1. Broca


Para retirar la broca, tire de la cubierta del mandril hacia abajo a tope y extraiga la broca.

► **Fig.14:** 1. Broca 2. Cubierta del mandril

Ángulo del cincel (para desincrustar, decapar o demoler)

El cincel se puede sujetar en el ángulo deseado. Para cambiar el ángulo del cincel, gire el pomo de cambio del modo de accionamiento hasta el símbolo O. Gire el cincel hasta el ángulo que desee.

► **Fig.15:** 1. Pomo de cambio del modo de accionamiento

Gire el pomo de cambio del modo de accionamiento hasta el símbolo . Después asegúrese siempre de que el cincel está sujetado firmemente en su sitio girándolo ligeramente.

Tope de profundidad

El tope de profundidad resulta útil para perforar agujeros de profundidad uniforme. Afloje la empuñadura lateral e inserte el tope de profundidad en el orificio de la empuñadura lateral. Ajuste el tope de profundidad a la profundidad deseada y apriete la empuñadura lateral firmemente.

► **Fig.16:** 1. Orificio 2. Tope de profundidad

NOTA: Asegúrese de que el tope de profundidad no toca el cuerpo principal de la herramienta cuando lo coloque.

Instalación o extracción del sistema de recolección de polvo

Accesorio opcional

Para extraer el sistema de recolección de polvo, empuje la herramienta mientras presiona el botón de seguridad. Para instalarlo, inserte la herramienta a tope en el sistema de recolección de polvo hasta que se bloquee en el lugar con un pequeño chasquido.

► **Fig.17:** 1. Botón de seguridad

Colector de polvo

Accesorio opcional

Utilice el colector de polvo para evitar que el polvo caiga sobre la herramienta y sobre usted cuando realice operaciones de perforación en lo alto. Coloque el colector de polvo en la broca como se muestra en la figura. El tamaño de las brocas en las que se puede colocar el colector de polvo es como se indica a continuación.

Modelo	Diámetro de la broca
Colector de polvo 5	6 mm - 14,5 mm
Colector de polvo 9	12 mm - 16 mm

► **Fig.18:** 1. Colector de polvo

Juego colector de polvo

Accesorio opcional

Instalación del juego colector de polvo

AVISO: Si adquiere el juego colector de polvo como accesorio opcional, la empuñadura lateral estándar no se puede utilizar con el juego colector de polvo estando instalado en la herramienta. Cuando el juego colector de polvo esté instalado en la herramienta, retire la empuñadura de la empuñadura lateral estándar, y después colóquela en el juego de base de empuñadura opcional.

► **Fig.19:** 1. Perno 2. Empuñadura 3. Juego de base de empuñadura opcional

AVISO: No utilice el juego colector de polvo cuando perforo en metal o similar. El juego colector de polvo se podrá dañar debido al calor producido por el polvo metálico fino o similar. No instale o retire el juego colector de polvo con una broca instalada en la herramienta. El juego colector de polvo se podrá dañar y ocasionar fuga de polvo.

Antes de instalar el juego colector de polvo, retire la broca de la herramienta si está instalada.

1. Instale el espaciador de forma que las acanaladuras en el espaciador encajen en las protuberancias en el barril de la herramienta mientras lo ensancha. Tenga cuidado para que el resorte no se salga de la comisura del espaciador.

► **Fig.20:** 1. Espaciador 2. Resorte

► **Fig.21**

2. Instale la empuñadura lateral (juego de base de empuñadura opcional y la empuñadura retirada de la empuñadura lateral estándar) de forma que la acanaladura en la empuñadura encaje en la protuberancia en el espaciador. Gire la empuñadura hacia la derecha para sujetarla.

► **Fig.22:** 1. Empuñadura lateral

3. Instale el juego colector de polvo de forma que las pinzas del colector de polvo encajen en las comisuras en el espaciador.

► **Fig.23:** 1. Colector de polvo 2. Pinzas

NOTA: Si conecta un aspirador al juego colector de polvo, retire la tapa de polvo antes de conectarlo.

► **Fig.24:** 1. Tapa de polvo

Para retirar la broca

Para retirar la broca, tire de la cubierta del mandril hacia abajo a tope y extraiga la broca.

► **Fig.25:** 1. Broca 2. Cubierta del mandril

Para retirar el juego colector de polvo

Para retirar el juego colector de polvo, siga los pasos de abajo.

1. Afloje la empuñadura lateral.

► **Fig.26:** 1. Empuñadura lateral

2. Sujete la raíz del colector de polvo y sáquelo.

► **Fig.27:** 1. Colector de polvo

NOTA: Si resulta difícil retirar el juego colector de polvo, retire las pinzas del colector de polvo una a una oscilando y tirando de la raíz del colector de polvo.

NOTA: Si la tapa se sale del colector de polvo, colóquela con el lado impreso orientado hacia arriba de tal forma que la acanaladura en la tapa encaje en la periferia interior del accesorio.

► Fig.28

Gancho

Accesorio opcional

PRECAUCIÓN: Retire siempre la batería cuando cuelgue la herramienta con el gancho.

PRECAUCIÓN: No cuelgue nunca la herramienta en un lugar alto o en una superficie potencialmente inestable.

► Fig.29: 1. Ranura 2. Gancho 3. Tornillo

El gancho resulta útil para colgar la herramienta temporalmente. Se puede instalar en cualquiera de los lados de la herramienta.

Para instalar el gancho, insértelo en una ranura de cualquiera de los lados de la carcasa de la herramienta y después sujételo con un tornillo. Para retirarlo, afloje el tornillo y después sáquelo.

Colgador de herramienta

Accesorio opcional

PRECAUCIÓN: No utilice el colgador de herramienta y tornillo dañados. Antes de la utilización compruebe siempre por si hay daños, grietas o deformaciones, y asegúrese de que el tornillo está apretado.

PRECAUCIÓN: Instale o retire el colgador de herramienta sobre una mesa o superficie estable. Asegúrese de utilizar solamente el tornillo provisto con el colgador de herramienta. Después de instalar el colgador de herramienta, asegúrese de que el colgador de herramienta está instalado firmemente con el tornillo.

PRECAUCIÓN: No retire el cartucho de batería mientras la herramienta está colgada. La herramienta podrá caerse si el tornillo no está apretado.

El colgador de herramienta ha sido previsto para conectar el acollador (correa de amarre). Para instalar el colgador de herramienta en la herramienta, siga los pasos de abajo.

1. Retire el cartucho de batería de la herramienta.
2. Coloque el colgador de herramienta desde la parte inferior de la herramienta como se muestra en la figura.

► Fig.30

3. Inserte la protuberancia del colgador de herramienta en la ranura del lado izquierdo de la herramienta.

► Fig.31: 1. Ranura 2. Protuberancia

NOTA: El colgador de herramienta se puede instalar solamente en la dirección como se muestra en la figura.

4. Apriete el tornillo firmemente.

► Fig.32: 1. Tornillo

OPERACIÓN

PRECAUCIÓN: Utilice siempre la empuñadura lateral (mango auxiliar) y sujete la herramienta firmemente por ambos la empuñadura lateral y el mango del interruptor durante las operaciones.

PRECAUCIÓN: Asegúrese siempre de que la pieza de trabajo está sujeta firmemente antes de iniciar la operación.

PRECAUCIÓN: No extraiga la herramienta a la fuerza aunque la broca se quede atascada. La pérdida de control puede ocasionar heridas.

PRECAUCIÓN: El sistema de recolección de polvo está diseñado únicamente para perforar en hormigón. No utilice el sistema de recolección de polvo para perforar en metal o en madera.

PRECAUCIÓN: Cuando utilice la herramienta con el sistema de recolección de polvo, asegúrese de colocar el filtro en el sistema de recolección de polvo para evitar inhalar el polvo.

PRECAUCIÓN: Antes de utilizar el sistema de recolección de polvo, compruebe que el filtro no esté dañado. En caso contrario, es posible que inhale polvo.

PRECAUCIÓN: El sistema de recolección de polvo recolecta el polvo generado a un ritmo considerable, pero no se recolecta todo el polvo.

AVISO: No utilice el sistema de recolección de polvo para perforar con corona o cincelar.


AVISO: No utilice el sistema de recolección de polvo para perforar en hormigón mojado y no lo utilice en un ambiente húmedo. En caso contrario, es posible que funcione mal.

NOTA: Si el cartucho de batería está en temperatura baja, la capacidad de la herramienta podrá no lograrse completamente. En este caso, caliente el cartucho de batería utilizando la herramienta sin carga durante un rato para obtener completamente la capacidad de la herramienta.

► Fig.33

Operación de perforación con percusión

PRECAUCIÓN: En el momento de comenzar a penetrar, cuando se atasca el agujero con virutas y partículas, o cuando se topa con varillas de refuerzo incrustadas en el hormigón, se ejerce una tremenda y repentina fuerza de contorsión sobre la herramienta/broca. **Utilice siempre la empuñadura lateral (mango auxiliar) y sujete la herramienta firmemente por ambos la empuñadura lateral y el mango del interruptor durante las operaciones.** De lo contrario, podrá resultar en la pérdida del control de la herramienta y potencialmente heridas graves.


Ajuste el pomo de cambio del modo de accionamiento en el símbolo .

Coloque la broca en el lugar deseado para el agujero, después apriete el gatillo interruptor. No fuerce la herramienta. Los mejores resultados se obtienen con una ligera presión. Mantenga la herramienta en posición y evite que se deslice y salga del agujero.

No aplique más presión cuando el agujero se atasque con virutas o partículas. En su lugar, haga funcionar la herramienta sin ejercer presión, y después saque parcialmente la broca del agujero. Repitiendo esto varias veces, se limpiará el agujero y podrá reanudarse la perforación normal.

NOTA: Es posible que se produzca excentricidad en el giro de la broca mientras la herramienta funciona sin carga. La herramienta se vuelve a centrar automáticamente durante la operación. Esto no afecta a la precisión de perforación.

Desincrustar/decapar/demoler

Ajuste el pomo de cambio del modo de accionamiento en el símbolo .

Sujete la herramienta firmemente con ambas manos. Encienda la herramienta y aplique una ligera presión sobre ella de forma que no rebote descontrolada. Presionando muy fuerte en la herramienta no aumentará la eficacia.

► Fig.34

Perforación en madera o metal


PRECAUCIÓN: Sujete la herramienta firmemente y tenga cuidado cuando la broca comience a penetrar en la pieza de trabajo. En el momento de comenzar a penetrar se ejerce una fuerza tremenda sobre la herramienta/broca.

PRECAUCIÓN: Una broca atascada podrá extraerse simplemente poniendo el interruptor inversor en giro inverso para que retroceda. Sin embargo, la herramienta podrá retroceder bruscamente si no la sujeta firmemente.

PRECAUCIÓN: Sujete siempre las piezas de trabajo en un tornillo de banco o dispositivo de sujeción similar.

AVISO: No utilice nunca “giro con percusión” cuando esté instalado el mandril para taladro en la herramienta. El mandril para taladro podrá dañarse. Además, el mandril para taladro se caerá cuando invierta el giro de la herramienta.

AVISO: Con ejercer una presión excesiva sobre la herramienta no conseguirá perforar más rápido. De hecho, esta presión excesiva sólo servirá para dañar la punta de la broca, disminuir el rendimiento de la herramienta y acortar la vida de servicio de la herramienta.


Ajuste el pomo de cambio del modo de accionamiento en el símbolo .

Coloque el adaptador de mandril en un mandril de broca sin llave en el que se pueda instalar un tornillo de tamaño 1/2"-20, y después instálelos en la herramienta. Cuando lo instale, consulte la sección "Instalación o desmontaje de la broca".

► Fig.35: 1. Conjunto de mandril para taladro
2. Adaptador de mandril

Perforación con corona de diamante

AVISO: Si realiza operaciones de perforación con corona de diamante utilizando el accionamiento de “giro con percusión”, es posible que la barrena tubular de diamante se dañe.

Cuando realice operaciones de perforación con corona de diamante, ponga siempre la palanca de cambio en la posición  para utilizar el accionamiento de “giro solamente”.

Sacudir el polvo del filtro

Accesorio opcional

PRECAUCIÓN: No gire el dial del recipiente para polvo mientras el recipiente para polvo está retirado del sistema de recolección de polvo. Si lo hace podrá ocasionar inhalación de polvo.

PRECAUCIÓN: Apague siempre la herramienta cuando vaya a girar el dial del recipiente para polvo. Si gira el dial mientras la herramienta está en marcha podrá resultar en la pérdida del control de la herramienta.

Al sacudir el polvo del filtro de dentro del recipiente para polvo, puede mantener la eficacia de aspiración y también reducir el número de veces que hay que des- echar el polvo.

Gire el dial del recipiente para polvo tres veces después de la recogida de cada 50.000 mm³ de polvo o cuando sienta que el rendimiento de aspiración ha disminuido.

NOTA: 50.000 mm³ de polvo equivale a perforar 10 agujeros de \varnothing 1/8" y 65 mm de profundidad (14 agujeros de \varnothing 3/8" y 2" de profundidad).

► Fig.36: 1. Recipiente para polvo 2. Dial

Desechado del polvo

Accesorio opcional

PRECAUCIÓN: Asegúrese siempre de que la herramienta está apagada y el cartucho de batería retirado antes de realizar cualquier trabajo en la herramienta.

PRECAUCIÓN: Utilice una máscara contra el polvo cuando deseche el polvo.

PRECAUCIÓN: Vacíe el recipiente para polvo con regularidad antes de que el recipiente se llene. En caso contrario, es posible que disminuya el rendimiento de la recolección de polvo y usted inhale polvo.

PRECAUCIÓN: El rendimiento de la recolección de polvo disminuye si el filtro del recipiente para polvo se atasca. Reemplace el filtro por uno nuevo después de que el recipiente se haya llenado unas 200 veces. En caso contrario, es posible que inhale polvo.

1. Retire el recipiente para polvo mientras presiona la palanca del recipiente para polvo.

► Fig.37: 1. Palanca

2. Abra la cubierta del recipiente para polvo.

► Fig.38: 1. Cubierta

3. Deseche el polvo y luego limpie el filtro.

► Fig.39

AVISO: Cuando limpie el filtro, no toque el filtro con un cepillo u otro elemento similar ni sople el filtro con aire comprimido. Esto podría dañar el filtro.

Soplador

Accesorio opcional

Después de perforar un orificio, utilice el soplador para limpiar el polvo del orificio.

► Fig.40

Utilización del juego colector de polvo

Accesorio opcional

Encaje el juego colector de polvo contra el techo cuando utilice la herramienta.

► Fig.41

AVISO: No utilice el juego colector de polvo para perforar en metal o un material similar. Esto podría dañar el juego colector de polvo debido al calor producido por las pequeñas partículas metálicas u otras partículas similares.

AVISO: No instale ni extraiga el juego colector de polvo si la broca está instalada en la herramienta. Esto podría dañar el juego colector de polvo y hacer que el polvo se filtre.

Conexión del acollador (correa de amarre) al colgador de herramienta

⚠ Advertencias de seguridad específicas para utilización en altura

Lea todas las advertencias de seguridad e instrucciones. Si no sigue las advertencias e instrucciones podrá resultar en heridas graves.

1. **Mantenga siempre atada la herramienta cuando trabaje "en altura". La longitud máxima del acollador es de 2 m.**
2. **Utilice solamente con acolladores apropiados para este tipo de herramienta y con capacidad para al menos 4,5 kg.**
3. **No amarre el acollador de la herramienta a ninguna parte de su cuerpo ni a componentes móviles. Amarre el acollador de la herramienta a una estructura rígida que pueda soportar las fuerzas de una herramienta que se caiga.**
4. **Asegúrese de que el acollador está sujetado debidamente en cada extremo antes de utilizar.**
5. **Inspeccione la herramienta y el acollador antes de cada utilización por si están dañados y comprobar que funcionan correctamente (incluidos el tejido y la costura). No los utilice si están dañados o no funcionan debidamente.**

6. **No enrolle los acolladores ni permita que entren en contacto con bordes cortantes o ásperos.**

7. **Amarre el otro extremo del acollador fuera del área de trabajo de forma que si la herramienta se cae sea sujeta firmemente.**

8. **Sujete el acollador de forma que si la herramienta se cae lo haga alejándose del operario.** Las herramientas dejadas caer se balancearán en el acollador, lo que podrá ocasionar heridas o pérdida del equilibrio.

9. **No utilice cerca de partes en movimiento o maquinaria en marcha.** De lo contrario, podrá resultar en un riesgo de aplastamiento o enredo.

10. **No transporte la herramienta cogiéndola por el dispositivo de sujeción o el acollador.**

11. **Transfiera la herramienta entre sus manos solamente mientras se encuentre equilibrado debidamente.**

12. **No sujete los acolladores a la herramienta de una manera que impidan a los interruptores o al bloqueo del gatillo (si se ha suministrado) funcionar debidamente.**

13. **Evite enredarse en el acollador.**

14. **Mantenga el acollador alejado del área de perforación de la herramienta.**

15. **Utilice mosquetones de tipo acción múltiple y de tipo con cierre de rosca. No utilice mosquetones con pestillo de resorte de acción simple.**

16. **En el caso de que la herramienta se caiga, se deberá etiquetar y poner fuera de servicio, y deberá ser inspeccionada en una fábrica Makita o en un centro de servicio autorizado.**

► Fig.42: 1. Colgador de herramienta 2. Acollador (correa de amarre)

FUNCIÓN DE ACTIVACIÓN INALÁMBRICA

Accesorio opcional

Lo que puede hacer con la función de activación inalámbrica

La función de activación inalámbrica permite realizar una operación limpia y cómoda. Conectando un aspirador compatible a la herramienta, puede poner en marcha automáticamente el aspirador junto con la operación del interruptor de la herramienta.

► Fig.43

Para utilizar la función de activación inalámbrica, prepare los elementos siguientes:

- Una unidad inalámbrica (accesorio opcional)
- Un aspirador compatible con la función de activación inalámbrica

El resumen del ajuste de la función de activación inalámbrica es como sigue. Consulte cada sección para ver los procedimientos en detalle.

1. Instalación de la unidad inalámbrica
2. Registro de herramienta para el aspirador
3. Inicio de la función de activación inalámbrica

Instalación de la unidad inalámbrica

Accesorios opcionales

⚠ PRECAUCIÓN: Ponga la herramienta sobre una superficie plana y estable cuando instale la unidad inalámbrica.

AVISO: Limpie el polvo y la suciedad de la herramienta antes de instalar la unidad inalámbrica. El polvo o la suciedad puede ocasionar un mal funcionamiento si entra en la ranura de la unidad inalámbrica.

AVISO: Para evitar el mal funcionamiento causado por la electricidad estática, toque un material en el que descarga la electricidad estática, tal como una parte metálica de la herramienta, antes de cosegar la unidad inalámbrica.

AVISO: Cuando instale la unidad inalámbrica, asegúrese siempre de que la unidad inalámbrica está insertada en la dirección correcta y que la tapa está completamente cerrada.

1. Abra la tapa de la herramienta como se muestra en la figura.

► **Fig.44:** 1. Tapa

2. Inserte la unidad inalámbrica en la ranura y después cierre la tapa.

Cuando inserte la unidad inalámbrica, alinee los salientes con las porciones embutidas de la ranura.

► **Fig.45:** 1. Unidad inalámbrica 2. Saliente 3. Tapa 4. Porción embutida

Cuando retire la unidad inalámbrica, abra la tapa despacio. Los ganchos de la parte trasera de la tapa alzarán la unidad inalámbrica a medida que usted levanta la tapa.

► **Fig.46:** 1. Unidad inalámbrica 2. Gancho 3. Tapa

Después de retirar la unidad inalámbrica, manténgala dentro de la funda suministrada o en un contenedor libre de electricidad estática.

AVISO: Utilice siempre los ganchos de la parte trasera de la tapa cuando retire la unidad inalámbrica. Si los ganchos no agarran la unidad inalámbrica, cierre la tapa completamente y ábrala despacio otra vez.

Registro de herramienta para el aspirador

NOTA: Para el registro de herramienta se requiere un aspirador Makita compatible con la función de activación inalámbrica.

NOTA: Termine de instalar la unidad inalámbrica en la herramienta antes de comenzar el registro de herramienta.

NOTA: Durante el registro de herramienta, no apriete el gatillo interruptor o active el interruptor de alimentación del aspirador.

NOTA: Consulte el manual de instrucciones del aspirador, también.

Si desea activar el aspirador junto con la operación del interruptor de la herramienta, termine el registro de herramienta de antemano.

1. Instale las baterías en el aspirador y la herramienta.

2. Ajuste el interruptor de espera del aspirador a "AUTO".

► **Fig.47:** 1. Interruptor de espera

3. Presione el botón de activación inalámbrica en el aspirador durante 3 segundos hasta que la lámpara de activación inalámbrica parpadee en verde. Y después presione el botón de activación inalámbrica en la herramienta de la misma manera.

► **Fig.48:** 1. Botón de activación inalámbrica
2. Lámpara de activación inalámbrica

Si el aspirador y la herramienta están vinculados correctamente, las lámparas de activación inalámbrica se iluminarán en verde durante 2 segundos y comenzarán a parpadear en azul.

NOTA: Las lámparas de activación inalámbrica dejarán de parpadear en verde después de transcurrir 20 segundos. Presione el botón de activación inalámbrica en la herramienta mientras la lámpara de activación inalámbrica en la aspiradora está parpadeando. Si la lámpara de activación inalámbrica no parpadea en verde, presione el botón de activación inalámbrica brevemente y manténgalo presionado otra vez.

NOTA: Cuando realice dos o más registros de herramienta para un aspirador, termine el registro de herramienta de uno en uno.

Inicio de la función de activación inalámbrica

NOTA: Termine el registro de herramienta para el aspirador antes de la activación inalámbrica.

NOTA: Consulte el manual de instrucciones del aspirador, también.

Después de registrar una herramienta en el aspirador, el aspirador se pondrá en marcha automáticamente junto con la operación del interruptor de la herramienta.

1. Instale la unidad inalámbrica en la herramienta.

2. Conecte la manguera del aspirador a la herramienta.

► **Fig.49**

3. Ajuste el interruptor de espera del aspirador a "AUTO".

► **Fig.50:** 1. Interruptor de espera

4. Presione el botón de activación inalámbrica en la herramienta brevemente. La lámpara de activación inalámbrica parpadeará en azul.

► **Fig.51:** 1. Botón de activación inalámbrica
2. Lámpara de activación inalámbrica

5. Apriete el gatillo interruptor de la herramienta. Compruebe si el aspirador se pone en marcha mientras el gatillo interruptor está siendo apretado.

Para detener la activación inalámbrica del aspirador, presione el botón de activación inalámbrica en la herramienta.

NOTA: La lámpara de activación inalámbrica en la herramienta dejará de parpadear en azul cuando no se realice ninguna operación durante 2 horas. En este caso, ajuste el interruptor de espera del aspirador a "AUTO" y presione el botón de activación inalámbrica en la herramienta otra vez.

NOTA: El aspirador se pone en marcha/se detiene con una demora. Hay un lapso de tiempo cuando el aspirador detecta una operación del interruptor de la herramienta.










NOTA: La distancia de transmisión de la unidad inalámbrica puede variar dependiendo de la ubicación y las circunstancias circundantes.

NOTA: Cuando haya registradas dos o más herramientas en un aspirador, el aspirador podrá ponerse en marcha aunque usted no apriete el gatillo interruptor porque otro usuario está utilizando la función de activación inalámbrica.

Descripción del estado de la lámpara de activación inalámbrica

► **Fig.52:** 1. Lámpara de activación inalámbrica

La lámpara de activación inalámbrica muestra el estado de la función de activación inalámbrica. Consulte la tabla de abajo para ver el significado del estado de la lámpara.

Estado	Lámpara de activación inalámbrica			Descripción	
	Color	 Encendida	 Parpadeando		Duración
En espera	Azul			2 horas	La activación inalámbrica del aspirador está disponible. La lámpara se apagará automáticamente cuando no se realice ninguna operación durante 2 horas.
				Cuando la herramienta está en marcha.	La activación inalámbrica del aspirador está disponible y la herramienta está en marcha.
Registro de herramienta	Verde			20 segundos	Preparada para el registro de herramienta. Esperando para el registro en el aspirador.
				2 segundos	El registro de herramienta ha terminado. La lámpara de activación inalámbrica comenzará a parpadear en azul.
Cancelación del registro de herramienta	Rojo			20 segundos	Preparada para la cancelación del registro de herramienta. Esperando para la cancelación en el aspirador.
				2 segundos	La cancelación del registro de herramienta ha terminado. La lámpara de activación inalámbrica comenzará a parpadear en azul.
Otros	Rojo			3 segundos	La alimentación se suministra a la unidad inalámbrica y la función de activación inalámbrica se está poniendo en marcha.
	Apagada	-		-	La activación inalámbrica del aspirador está detenida.

Cancelación del registro de herramienta para el aspirador

Realice el procedimiento siguiente cuando vaya a cancelar el registro de herramienta para el aspirador.

1. Instale las baterías en el aspirador y la herramienta.
2. Ajuste el interruptor de espera del aspirador a "AUTO".

► **Fig.53:** 1. Interruptor de espera

3. Presione el botón de activación inalámbrica en el aspirador durante 6 segundos. La lámpara de activación inalámbrica parpadea en verde y después se vuelve roja. Después de esto, presione el botón de activación inalámbrica en la herramienta de la misma manera.

► **Fig.54:** 1. Botón de activación inalámbrica
2. Lámpara de activación inalámbrica

Si la cancelación se realiza correctamente, las lámparas de activación inalámbrica se iluminarán en rojo durante 2 segundos y comenzarán a parpadear en azul.

NOTA: Las lámparas de activación inalámbrica dejarán de parpadear en rojo después de transcurrir 20 segundos. Presione el botón de activación inalámbrica en la herramienta mientras la lámpara de activación inalámbrica en la aspiradora está parpadeando. Si la lámpara de activación inalámbrica no parpadea en rojo, presione el botón de activación inalámbrica brevemente y manténgalo presionado otra vez.

Solución de problemas para la función de activación inalámbrica

Antes de solicitar reparaciones, realice su propia inspección en primer lugar. Si encuentra un problema que no está explicado en el manual, no intente desmontar la herramienta. En su lugar, pregunte en los centros de servicio autorizados Makita, utilizando siempre piezas de recambio Makita para las reparaciones.

Estado de anomalía	Causa probable (mal funcionamiento)	Remedio
La lámpara de activación inalámbrica no se ilumina/parpadea.	La unidad inalámbrica no está instalada en la herramienta. La unidad inalámbrica está instalada incorrectamente en la herramienta.	Instale la unidad inalámbrica correctamente.
	El terminal de la unidad inalámbrica y/o la ranura están sucios.	Retire con cuidado el polvo y la suciedad del terminal de la unidad inalámbrica y limpie la ranura.
	El botón de activación inalámbrica en la herramienta no ha sido presionado.	Presione el botón de activación inalámbrica en la herramienta brevemente.
	El interruptor de espera del aspirador no está ajustado a "AUTO".	Ajuste el interruptor de espera del aspirador a "AUTO".
	No se está suministrando alimentación.	Suministre alimentación a la herramienta y al aspirador.
No se puede terminar el registro de herramienta / cancelación del registro de herramienta correctamente.	La unidad inalámbrica no está instalada en la herramienta. La unidad inalámbrica está instalada incorrectamente en la herramienta.	Instale la unidad inalámbrica correctamente.
	El terminal de la unidad inalámbrica y/o la ranura están sucios.	Retire con cuidado el polvo y la suciedad del terminal de la unidad inalámbrica y limpie la ranura.
	El interruptor de espera del aspirador no está ajustado a "AUTO".	Ajuste el interruptor de espera del aspirador a "AUTO".
	No se está suministrando alimentación.	Suministre alimentación a la herramienta y al aspirador.
	Operación incorrecta	Presione el botón de activación inalámbrica brevemente y realice los procedimientos de registro/cancelación de herramienta otra vez.
	La herramienta y el aspirador están alejados uno del otro (fuera del rango de transmisión).	Ponga la herramienta y el aspirador más cerca uno del otro. La distancia de transmisión es de aproximadamente 10 m, sin embargo, podrá variar de acuerdo con las circunstancias.
	Antes de terminar el registro/cancelación de herramienta; - el gatillo interruptor de la herramienta está apretado o; - el botón de alimentación del aspirador está activado.	Presione el botón de activación inalámbrica brevemente y realice los procedimientos de registro/cancelación de herramienta otra vez.
	Los procedimientos de registro de herramienta para la herramienta o el aspirador no han terminado.	Realice los procedimientos de registro de herramienta para la herramienta y el aspirador en el mismo momento.
Interferencia de radio de otros aparatos que generan ondas de radio de alta intensidad.	Mantenga la herramienta y el aspirador alejados de aparatos tales como dispositivos Wi-Fi y hornos de microondas.	

Estado de anomalía	Causa probable (mal funcionamiento)	Remedio
El aspirador no se pone en marcha junto con la operación del interruptor de la herramienta.	La unidad inalámbrica no está instalada en la herramienta. La unidad inalámbrica está instalada incorrectamente en la herramienta.	Instale la unidad inalámbrica correctamente.
	El terminal de la unidad inalámbrica y/o la ranura están sucios.	Retire con cuidado el polvo y la suciedad del terminal de la unidad inalámbrica y limpie la ranura.
	El botón de activación inalámbrica en la herramienta no ha sido presionado.	Presione el botón de activación inalámbrica brevemente y asegúrese de que la lámpara de activación inalámbrica está parpadeando en azul.
	El interruptor de espera del aspirador no está ajustado a "AUTO".	Ajuste el interruptor de espera del aspirador a "AUTO".
	Hay más de 10 herramientas registradas en el aspirador.	Realice el registro de herramienta otra vez. Si hay más de 10 herramientas registradas en el aspirador, la herramienta que más tiempo lleve registrada se cancelará automáticamente.
	El aspirador borró todos los registros de herramienta.	Realice el registro de herramienta otra vez.
	No se está suministrando alimentación.	Suministre alimentación a la herramienta y al aspirador.
	La herramienta y el aspirador están alejados uno del otro (fuera del rango de transmisión).	Ponga la herramienta y el aspirador más cerca uno del otro. La distancia de transmisión es de aproximadamente 10 m, sin embargo, podrá variar de acuerdo con las circunstancias.
Interferencia de radio de otros aparatos que generan ondas de radio de alta intensidad.	Mantenga la herramienta y el aspirador alejados de aparatos tales como dispositivos Wi-Fi y hornos de microondas.	
El aspirador se pone en marcha mientras el gatillo interruptor de la herramienta no está apretado.	Otros usuarios están utilizando la activación inalámbrica del aspirador con sus herramientas.	Desactive el botón de activación inalámbrica de las otras herramientas o cancele el registro de herramienta de las otras herramientas.

MANTENIMIENTO

⚠ PRECAUCIÓN: Asegúrese siempre de que la herramienta está apagada y de que el cartucho de batería está retirado antes de intentar hacer una inspección o mantenimiento.

AVISO: No utilice nunca gasolina, bencina, disolvente, alcohol o similares. Podría producir descoloración, deformación o grietas.

Para mantener la SEGURIDAD y FIABILIDAD del producto, las reparaciones, y cualquier otra tarea de mantenimiento o ajuste deberán ser realizadas en centros de servicio o de fábrica autorizados por Makita, empleando siempre repuestos Makita.

Reemplazo del filtro del recipiente para polvo

Accesorio opcional

1. Retire el recipiente para polvo mientras presiona la palanca del recipiente para polvo.

► Fig.55: 1. Palanca

2. Inserte el destornillador de punta plana en las ranuras de la cubierta del filtro para retirar la cubierta del filtro.

► Fig.56: 1. Destornillador de punta plana 2. Cubierta del filtro

3. Retire el filtro de la caja del filtro.

► Fig.57: 1. Filtro 2. Caja del filtro

4. Coloque un filtro nuevo en la caja del filtro, y después coloque la cubierta del filtro.

5. Cierre la cubierta del recipiente para polvo, y después coloque el recipiente para polvo en el sistema de recolección de polvo.

Reemplazo de la tapa de sellado

Accesorio opcional

Si la tapa de sellado está gastada, el rendimiento de la recolección de polvo disminuye. Reemplácela si está gastada.

Retire la tapa de sellado y coloque una nueva con la protuberancia hacia arriba.

► Fig.58: 1. Protuberancia 2. Tapa de sellado

ACCESORIOS OPCIONALES

⚠PRECAUCIÓN: Estos accesorios o aditamentos están recomendados para su uso con la herramienta Makita especificada en este manual.

El uso de cualquier otro accesorio o aditamento puede suponer un riesgo de heridas personales. Utilice el accesorio o aditamento solamente con la finalidad indicada para el mismo.

Si necesita cualquier ayuda para más detalles en relación con estos accesorios, pregunte al centro de servicio Makita local.

- Brocas con punta de carburo (brocas con punta de carburo SDS-Plus)
- Barrena tubular
- Barreno
- Barrena tubular de diamante
- Cortafríos
- Cíncel desincrustador
- Cíncel para ranuras
- Adaptador de mandril
- Mandril de broca sin llave
- Grasa para brocas
- Tope de profundidad
- Soplador
- Colector de polvo
- Juego colector de polvo
- Sistema de recolección de polvo
- Unidad inalámbrica
- Gancho
- Colgador de herramienta
- Batería y cargador genuinos de Makita
- Gafas de seguridad
- Maletín de transporte de plástico

NOTA: Algunos elementos de la lista podrán estar incluidos en el paquete de la herramienta como accesorios estándar. Pueden variar de un país a otro.

ESPECIFICAÇÕES

Modelo:		DHR182
Capacidades	Cimento	18 mm
	Broca de núcleo	35 mm
	Broca de núcleo diamantada (tipo seca)	32 mm
	Aço	13 mm
	Madeira	24 mm
Velocidade sem carga		0 - 1.350 min ⁻¹
Impactos por minuto		0 - 5.000 min ⁻¹
Comprimento total		301 mm
Voltagem nominal		CC 18 V
Peso líquido		2,4 - 3,2 kg

Acessório opcional

Modelo:		DX05
Desempenho de sucção		250 l/min
Curso operacional		Até 90 mm
Broca de perfuração adequada		Até 160 mm
Peso líquido		0,9 kg

- Devido a um programa contínuo de pesquisa e desenvolvimento, estas especificações estão sujeitas a alteração sem aviso prévio.
- As especificações e a bateria podem variar de país para país.
- O peso poderá diferir em função do acessório(s), incluindo a bateria. A combinação mais leve e mais pesada, de acordo com o Procedimento EPTA 01/2014, é apresentada na tabela.

Bateria aplicável

BL1815N / BL1820 / BL1820B / BL1830 / BL1830B / BL1840 / BL1840B / BL1850 / BL1850B / BL1860B

- Algumas das baterias listadas acima poderão não estar disponíveis, dependendo da sua região de residência.

AVISO: Utilize apenas as baterias listadas acima. A utilização de quaisquer outras baterias pode causar ferimentos e/ou um incêndio.

Utilização prevista

A ferramenta serve para perfuração com martelo e perfuração em tijolo, cimento e pedra, bem como para trabalho de burilagem. É também adequada para perfurar sem impacto em madeira, metal, cerâmica e plástico.

Ruído

A característica do nível de ruído A determinado de acordo com a EN60745-2-6:

Modelo DHR182

Nível de pressão acústica (L_{pA}): 89 dB (A)

Nível de potência acústica (L_{WA}): 100 dB (A)

Variabilidade (K): 3 dB (A)

Modelo DHR182 com DX05

Nível de pressão acústica (L_{pA}): 90 dB (A)

Nível de potência acústica (L_{WA}): 101 dB (A)

Variabilidade (K): 3 dB (A)

NOTA: O(s) valor(es) da emissão de ruído indicado(s) foi medido de acordo com um método de teste padrão e pode ser utilizado para comparar duas ferramentas.

NOTA: O(s) valor(es) da emissão de ruído indicado(s) pode também ser utilizado na avaliação preliminar da exposição.

AVISO: Utilize protetores auriculares.

AVISO: A emissão de ruído durante a utilização real da ferramenta elétrica pode diferir do(s) valor(es) indicado(s), dependendo das formas como a ferramenta é utilizada, especialmente o tipo de peça de trabalho que é processada.

AVISO: Certifique-se de identificar as medidas de segurança para proteção do operador que sejam baseadas em uma estimativa de exposição em condições reais de utilização (considerando todas as partes do ciclo de operação, tal como quando a ferramenta está desligada e quando está a funcionar em marcha lenta além do tempo de acionamento).

Vibração

A tabela seguinte mostra o valor total da vibração (soma vetorial tri-axial) determinado de acordo com o padrão aplicável:

Modo de funcionamento	Emissão de vibração	Incerteza (K)	Padrão aplicável
Perfuração com martelo em cimento ($a_{h, HD}$)	11,0 m/s ²	1,5 m/s ²	EN60745-2-6
Perfuração com martelo em cimento com DX05 ($\hat{a}_{h, HD}$)	11,0 m/s ²	1,5 m/s ²	EN60745-2-6
Função de burlagem com punho lateral ($a_{h, Cheq}$)	9,0 m/s ²	1,5 m/s ²	EN60745-2-6
Perfuração em metal ($a_{h, D}$)	2,5 m/s ²	1,5 m/s ²	EN60745-2-1

NOTA: O(s) valor(es) total(ais) de vibração indicado(s) foi medido de acordo com um método de teste padrão e pode ser utilizado para comparar duas ferramentas.

NOTA: O(s) valor(es) total(ais) de vibração indicado(s) pode também ser utilizado na avaliação preliminar da exposição.

⚠️ AVISO: A emissão de vibração durante a utilização real da ferramenta elétrica pode diferir do(s) valor(es) indicado(s), dependendo das formas como a ferramenta é utilizada, especialmente o tipo de peça de trabalho que é processada.

⚠️ AVISO: Certifique-se de identificar as medidas de segurança para proteção do operador que sejam baseadas em uma estimativa de exposição em condições reais de utilização (considerando todas as partes do ciclo de operação, tal como quando a ferramenta está desligada e quando está a funcionar em marcha lenta além do tempo de acionamento).

Declaração de conformidade da CE

Apenas para os países europeus

A declaração de conformidade da CE está incluída como Anexo A neste manual de instruções.

AVISOS DE SEGURANÇA

Avisos gerais de segurança para ferramentas elétricas

⚠️ AVISO: Leia todos os avisos de segurança, instruções, ilustrações e especificações fornecidos com esta ferramenta elétrica. O não cumprimento de todas as instruções indicadas em baixo pode resultar em choque elétrico, incêndio e/ou ferimentos graves.

Guarde todos os avisos e instruções para futuras referências.

O termo "ferramenta elétrica" nos avisos refere-se às ferramentas elétricas ligadas à corrente elétrica (com cabo) ou às ferramentas elétricas operadas por meio de bateria (sem cabo).

AVISOS DE SEGURANÇA PARA MARTELETE ROTATIVO A BATERIA

1. Use protetores auditivos. A exposição ao ruído pode causar perda auditiva.
2. Utilize pega(s) auxiliar(es), se fornecida(s) com a ferramenta. A perda de controlo pode causar ferimentos pessoais.

3. Segure a ferramenta elétrica através das superfícies isoladas quando executar uma operação na qual o acessório de corte possa estabelecer contacto com os fios ocultos. O acessório de corte que estabeleça contacto com um fio sob tensão pode colocar as peças metálicas expostas da ferramenta elétrica sob tensão e pode provocar choque elétrico no operador.
4. Use capacete (capacete de segurança), óculos de proteção e/ou viseira. Os óculos com graduação ou óculos de sol NÃO são óculos de segurança. Recomenda-se também o uso de uma máscara antipoeira e luvas forradas grossas.
5. Certifique-se de que a broca está fixa na posição correta antes da operação.
6. Nas condições normais de operação, a ferramenta destina-se a produzir vibração. Os parafusos podem ser facilmente desapertados, causando uma avaria ou acidente. Verifique cuidadosamente o aperto dos parafusos antes da operação.
7. No tempo frio ou no caso de a ferramenta não ter sido utilizada por um longo período, deixe a ferramenta a aquecer durante algum tempo, operando-a sem carga. Isto irá soltar a lubrificação. Sem o aquecimento apropriado, a operação de martelagem torna-se difícil.
8. Certifique-se sempre que possui uma base firme. Certifique-se de que ninguém está por baixo quando usa a ferramenta em locais elevados.
9. Segure a ferramenta firmemente com as duas mãos.
10. Mantenha as mãos afastadas das peças móveis.
11. Não deixe a ferramenta a funcionar. Opere a ferramenta apenas quando a estiver a agarrar.
12. Não aponte a ferramenta a ninguém que se encontre na área quando estiver a operá-la. A broca pode ser projetada e ferir alguém gravemente.

13. Não toque na broca, nas peças próximo da broca ou na peça de trabalho imediatamente após a operação; estas podem estar extremamente quentes e podem queimar a sua pele.
14. Alguns materiais contêm químicos que podem ser tóxicos. Tome cuidado para evitar a inalação de poeira e o contacto com a pele. Siga os dados de segurança do fornecedor do material.
15. Certifique-se sempre de que a ferramenta está desligada e que retirou a bateria e a broca antes de passar a ferramenta a outra pessoa.

GUARDE ESTAS INSTRUÇÕES.

⚠️ AVISO: NÃO permita que conforto ou familiaridade com o produto (adquirido com o uso repetido) substitua a aderência estrita às regras de segurança da ferramenta. **MÁ INTERPRETAÇÃO** ou não seguimento das regras de segurança estabelecidas neste manual de instruções pode causar danos pessoais sérios.

Instruções de segurança importantes para a bateria

1. Antes de utilizar a bateria, leia todas as instruções e etiquetas de precaução no (1) carregador de bateria (2) bateria e (3) produto que utiliza a bateria.
2. Não abra a bateria.
3. Se o tempo de funcionamento se tornar excessivamente curto, pare o funcionamento imediatamente. Pode resultar em sobreaquecimento, possíveis queimaduras e mesmo explosão.
4. Se entrar eletrólito nos seus olhos, lave-os com água e consulte imediatamente um médico. Pode resultar em perda de visão.
5. Não coloque a bateria em curto-circuito:
 - (1) Não toque nos terminais com qualquer material condutor.
 - (2) Evite guardar a bateria juntamente com outros objetos metálicos tais como pregos, moedas, etc.
 - (3) Não exponha a bateria à água ou chuva. Um curto-circuito pode ocasionar um enorme fluxo de corrente, sobreaquecimento, possíveis queimaduras e mesmo estragar-se.
6. Não guarde a ferramenta e a bateria em locais onde a temperatura pode atingir ou exceder 50°C.
7. Não queime a bateria mesmo que esteja estragada ou completamente gasta. A bateria pode explodir no fogo.
8. Tenha cuidado para não deixar cair ou dar pancadas na bateria.
9. Não utilize uma bateria danificada.
10. As baterias de íons de lítio contidas na ferramenta são sujeitas aos requisitos da DGL (Dangerous Goods Legislation - Legislação de bens perigosos).
Para o transporte comercial, por exemplo, por terceiros ou agentes de expedição, têm de ser observados os requisitos referentes à embalagem e etiquetagem.

Para preparação do artigo a ser expedido, é necessário consultar um perito em materiais perigosos. Tenha ainda em conta a possibilidade de existirem regulamentos nacionais mais detalhados. Coloque fita-cola ou tape os contactos abertos e embale a bateria de tal forma que não possa mover-se dentro da embalagem.

11. **Siga os regulamentos locais relacionados com a eliminação de baterias.**
12. **Utilize as baterias apenas com os produtos especificados pela Makita.** Instalar as baterias em produtos não-conformes poderá resultar num incêndio, calor excessivo, explosão ou fuga de eletrólito.

GUARDE ESTAS INSTRUÇÕES.

⚠️ PRECAUÇÃO: Utilize apenas baterias genuínas da Makita. A utilização de baterias não genuínas da Makita ou de baterias que foram alteradas, pode resultar no rebentamento da bateria provocando incêndios, ferimentos pessoais e danos. Além disso, anulará da garantia da Makita no que se refere à ferramenta e ao carregador Makita.

Conselhos para manter a máxima vida útil da bateria

1. Carregue a bateria antes que esteja completamente descarregada. Pare sempre o funcionamento da ferramenta e carregue a bateria quando notar menos poder na ferramenta.
2. Nunca carregue uma bateria completamente carregada. Carregamento excessivo diminui a vida útil da bateria.
3. Carregue a bateria à temperatura ambiente de 10°C – 40°C. Deixe que uma bateria quente arrefeça antes de a carregar.
4. Carregue a bateria se não a utilizar durante um longo período de tempo (mais de seis meses).

Instruções de segurança importantes para a unidade sem fios

1. Não desmonte ou manipule a unidade sem fios.
2. Mantenha a unidade sem fios afastada das crianças. Se ocorrer a ingestão accidental, procure imediatamente cuidados médicos.
3. Utilize a unidade sem fios apenas com ferramentas Makita.
4. Não exponha a unidade sem fios à chuva ou a condições húmidas.
5. Não utilize a unidade sem fios em locais onde a temperatura excede 50°C .
6. Não utilize a unidade sem fios em locais próximos de instrumentos médicos, tais como estimuladores cardíacos.
7. Não utilize a unidade sem fios em locais próximos de dispositivos automatizados. Se utilizada, os dispositivos automatizados podem desenvolver anomalias ou erros.
8. Não utilize a unidade sem fios em locais sob temperaturas altas ou locais nos quais possa ser gerada eletricidade estática ou ruído elétrico.

9. A unidade sem fios pode produzir campos eletromagnéticos (CEM) mas estes não são nocivos para o utilizador.
10. A unidade sem fios é um instrumento preciso. Tenha cuidado para não deixar cair a unidade sem fios nem bater nesta.
11. Evite tocar no terminal da unidade sem fios com as mãos desprotegidas ou com materiais metálicos.
12. Retire sempre a bateria do produto quando instalar a unidade sem fios.
13. Quando abrir a tampa da ranhura, evite o local no qual a poeira e a água podem entrar para a ranhura. Mantenha sempre a entrada da ranhura limpa.
14. Insira sempre a unidade sem fios na direção correta.
15. Não pressione o botão de ativação sem fios na unidade sem fios com demasiada força e/ou pressione o botão com um objeto com aresta afiada.
16. Feche sempre a tampa da ranhura quando utilizar a ferramenta.
17. Não remova a unidade sem fios da ranhura enquanto estiver a ser fornecida alimentação elétrica à ferramenta. Fazê-lo pode causar a anomalia da unidade sem fios.
18. Não remova o adesivo da unidade sem fios.
19. Não coloque qualquer adesivo na unidade sem fios.
20. Não deixe a unidade sem fios num local em que possa ser gerada eletricidade estática ou ruído elétrico.
21. Não deixe a unidade sem fios num local sujeito a calor intenso, tal como um veículo exposto ao sol.
22. Não deixe a unidade sem fios num local poeirento ou pulverulento ou num local onde possa ser gerado gás corrosivo.
23. A mudança súbita da temperatura pode molhar a unidade sem fios com condensação. Não utilize a unidade sem fios até que a condensação esteja completamente seca.
24. Quando limpar a unidade sem fios, limpe-a suavemente com um pano macio e seco. Não utilize benzina, diluente, massa lubrificante condutora ou similar.
25. Quando armazenar a unidade sem fios, guarde-a na caixa fornecida ou num recipiente anti-estática.
26. Não insira quaisquer dispositivos diferentes da unidade sem fios Makita na ranhura na ferramenta.
27. Não utilize a ferramenta com a tampa da ranhura danificada. A entrada de água, poeira e sujidade na ranhura pode causar o mau funcionamento.
28. Não puxe e/ou torça a tampa da ranhura além do necessário. Recoloque a tampa se esta sair da ferramenta.
29. Substitua a tampa da ranhura se a perder ou danificar.

GUARDE ESTAS INSTRUÇÕES.

DESCRIÇÃO FUNCIONAL

⚠️PRECAUÇÃO: Certifique-se sempre de que a ferramenta está desligada e a bateria foi retirada antes de regular ou verificar qualquer função na ferramenta.

Instalação ou remoção da bateria

⚠️PRECAUÇÃO: Desligue sempre a ferramenta antes de colocar ou retirar a bateria.

⚠️PRECAUÇÃO: Segure firmemente a ferramenta e a bateria quando instalar ou remover a bateria. Se não segurar firmemente a ferramenta e a bateria pode fazer com que escorreguem das suas mãos resultando em danos na ferramenta e na bateria e ferimentos pessoais.

► Fig.1: 1. Indicador vermelho 2. Botão 3. Bateria

Para retirar a bateria, deslize-a para fora da ferramenta enquanto desliza o botão na frente da bateria.

Para instalar a bateria, alinhe a lingueta da bateria com a ranhura no compartimento e deslize-a no lugar. Empurre-a até o fim para que a mesma encaixe no lugar com um clique. Se puder ver a parte vermelha no lado superior do botão, significa que não está completamente bloqueada.

⚠️PRECAUÇÃO: Instale sempre a bateria até ao fim, até deixar de ver o indicador vermelho.

Caso contrário, a bateria poderá cair da ferramenta acidentalmente e provocar ferimentos em si mesmo ou em alguém próximo.
















⚠️PRECAUÇÃO: Não instale a bateria à força. Se a bateria não deslizar facilmente é porque não foi colocada corretamente.

Indicação da capacidade restante da bateria

Apenas para baterias com indicador

► Fig.2: 1. Luzes indicadoras 2. Botão de verificação

Prima o botão de verificação na bateria para indicar a capacidade restante da bateria. As luzes indicadoras acendem durante alguns segundos.

Luzes indicadoras			Capacidade restante
 Aceso	 Apagado	 A piscar	
			75% a 100%
			50% a 75%
			25% a 50%
			0% a 25%
			Carregar a bateria.
			A bateria pode estar avariada.

NOTA: Dependendo das condições de utilização e da temperatura ambiente, a indicação pode ser ligeiramente diferente da capacidade real.

Sistema de proteção da ferramenta/bateria

A ferramenta está equipada com um sistema de proteção da ferramenta/bateria. Este sistema corta automaticamente a corrente para o motor para aumentar a vida da ferramenta e da bateria. A ferramenta para automaticamente durante o funcionamento se a ferramenta ou bateria for colocada mediante uma das seguintes condições:

Proteção contra sobrecarga

Quando a bateria é operada de forma a puxar uma corrente anormalmente elevada, a ferramenta para automaticamente sem qualquer indicação. Nesse caso, desligue a ferramenta e pare a operação que provocou a sobrecarga da ferramenta. Em seguida, volte a ligar a ferramenta para a reiniciar.

Proteção contra sobreaquecimento

Quando a ferramenta ou a bateria estiver sobreaquecida, a ferramenta para automaticamente. Neste caso, deixe a ferramenta e a bateria arrefecerem antes de voltar a ligar a ferramenta.

NOTA: Quando a ferramenta estiver sobreaquecida, a lâmpada fica intermitente.

Proteção contra descarga excessiva

Quando a capacidade da bateria não é suficiente, a ferramenta para automaticamente. Neste caso, retire a bateria da ferramenta e carregue-a.

Ação do interruptor

AVISO: Antes de colocar a bateria na ferramenta, verifique sempre se o gatilho do interruptor funciona corretamente e volta para a posição "OFF" quando libertado.

► **Fig.3:** 1. Gatilho do interruptor

Para iniciar a ferramenta, carregue simplesmente no gatilho. A velocidade da ferramenta aumenta quando aumenta a pressão no gatilho. Liberte o gatilho para parar.

Acender a lâmpada da frente

► **Fig.4:** 1. Lâmpada

PRECAUÇÃO: Não olhe para a luz ou para a fonte de iluminação diretamente.

Puxe o gatilho do interruptor para acender a lâmpada. A lâmpada mantém-se acesa enquanto o gatilho do interruptor estiver a ser premido. A lâmpada apaga-se aproximadamente 10 segundos após soltar o gatilho do interruptor.

NOTA: Utilize um pano seco para limpar a sujidade da lente da lâmpada. Tenha cuidado para não riscar a lente da lâmpada ou a iluminação pode ficar enfraquecida.

Ação do interruptor de inversão

► **Fig.5:** 1. Alavanca do interruptor de inversão

PRECAUÇÃO: Verifique sempre a direção de rotação antes da operação.

PRECAUÇÃO: Só utilize o interruptor de inversão depois de a ferramenta estar completamente parada. Mudar a direção de rotação antes de a ferramenta parar pode estragar a ferramenta.

PRECAUÇÃO: Quando não estiver a utilizar a ferramenta, coloque sempre a alavanca do interruptor de inversão na posição neutra.


Esta ferramenta tem um interruptor de inversão para mudar a direção de rotação. Pressione a alavanca do interruptor de inversão no lado A para rotação para a direita ou no lado B para rotação para a esquerda. Quando a alavanca do interruptor de inversão está na posição neutra, não é possível carregar no gatilho.

Selecionar o modo de ação

OBSERVAÇÃO: Não rode o botão de alteração do modo de ação quando a ferramenta estiver em funcionamento. A ferramenta sofrerá danos.


OBSERVAÇÃO: Para evitar o desgaste rápido no mecanismo de alteração do modo, certifique-se de que o botão de alteração do modo de ação está sempre posicionado numa das três posições do modo de ação.

Rotação com martelagem

Para perfuração em cimento, alvenaria, etc. rode o botão de alteração do modo de ação para o símbolo . Utilize uma broca com ponta em carboneto de tungsténio (acessório opcional).


► **Fig.6:** 1. Rotação com martelagem 2. Botão de alteração do modo de ação

Apenas rotação

Para perfurar em materiais de madeira, metal ou plástico, rode o botão de alteração do modo de ação para o símbolo . Utilize uma broca de perfurar helicoidal ou broca de perfurar em madeira.

► **Fig.7:** 1. Apenas rotação

Apenas martelagem

Para operações de aparamento, raspagem ou demolição, rode o botão de alteração do modo de ação para o símbolo . Utilize um buril de ponta, buril, buril de raspagem, etc.

► **Fig.8:** 1. Apenas martelagem

Ajustar a posição do bocal do sistema de coleta de pó

Acessório opcional

Empurre a guia para dentro enquanto pressiona o botão de ajuste da guia para cima e, em seguida, solte o botão na posição desejada.

► **Fig.9:** 1. Guia 2. Botão de ajuste da guia

NOTA: Antes de ajustar a posição do bocal, solte o bocal completamente para a frente pressionando o botão de ajuste da guia para cima.

Ajustar a profundidade de perfuração do sistema de coleta de pó

Acessório opcional

Deslize o botão de ajuste da profundidade para a posição pretendida enquanto o pressiona para cima. A distância (A) é a profundidade de perfuração.

► **Fig.10:** 1. Botão de ajuste da profundidade

Limitador de binário

OBSERVAÇÃO: Logo que o limitador de binário atuar, desligue imediatamente a ferramenta. Isto irá ajudar a prevenir o desgaste prematuro da ferramenta.

OBSERVAÇÃO: As brocas de perfurar, tais como serra-copo com tendência a apertar ou a ficar facilmente presa no orifício, não são apropriadas para esta ferramenta. Isto deve-se ao facto de estas causarem a atuação demasiado frequente do limitador de binário.

O limitador de binário atua quando é atingido um determinado nível de binário. O motor desengata do eixo de saída. Quando isso acontece, a broca de perfurar pára de rodar.

Função eletrónica

A ferramenta está equipada com as funções eletrónicas para fácil operação.

- Controlo constante da velocidade
A função de controlo da velocidade assegura a velocidade constante da rotação independentemente das condições de carga.

MONTAGEM

⚠PRECAUÇÃO: Certifique-se sempre de que a ferramenta está desligada e a bateria retirada antes de executar qualquer trabalho na ferramenta.

Pega lateral (pega auxiliar)

⚠PRECAUÇÃO: Utilize sempre a pega lateral para garantir uma operação segura.

⚠PRECAUÇÃO: Após instalar ou ajustar a pega lateral, certifique-se de que a pega lateral está firmemente segura.

Instale o punho lateral de modo a que os entalhes no punho encaixem nas saliências no cilindro da ferramenta. Rode o punho para a direita para fixá-lo. O punho pode ser fixo no ângulo pretendido.

► **Fig.11:** 1. Pega lateral

Massa lubrificante

Aplique previamente uma pequena camada de massa lubrificante (cerca de 0,5 - 1 g) na extremidade da haste da broca de perfurar.

Esta lubrificação do mandril garante uma ação sem problemas e uma vida útil mais prolongada.

Instalar ou remover a broca de perfurar

Limpe a extremidade da haste da broca de perfurar e aplique massa lubrificante antes de instalar a broca de perfurar.

► **Fig.12:** 1. Extremidade da haste 2. Massa lubrificante

Insira a broca de perfurar na ferramenta. Rode a broca de perfurar e empurre-a para dentro até engatar.

Após instalar a broca de perfurar, certifique-se de que a broca de perfurar está bem segura na posição correta, tentando retirá-la.

► **Fig.13:** 1. Broca de perfurar

Para remover a broca de perfurar, puxe a tampa do mandril completamente para baixo e extraia a broca de perfurar.

► **Fig.14:** 1. Broca de perfurar 2. Tampa do mandril

Ângulo do buril (nas operações de aparamento, raspagem ou demolição)

O buril pode ser fixo no ângulo pretendido. Para alterar o ângulo do buril, rode o botão de alteração do modo de ação para o símbolo O. Rode o buril para o ângulo pretendido.

► **Fig.15:** 1. Botão de alteração do modo de ação

Rode o botão de alteração do modo de ação para o símbolo ∇ . De seguida, certifique-se de que o buril está bem seguro na posição correta, rodando-o ligeiramente.

Micrómetro de profundidade

O micrómetro de profundidade é conveniente para perfurar orifícios de profundidade uniforme. Solte o punho lateral e insira o micrómetro de profundidade no orifício no punho lateral. Ajuste o micrómetro de profundidade para a profundidade pretendida e aperte firmemente o punho lateral.

► **Fig.16:** 1. Orifício 2. Micrómetro de profundidade

NOTA: Certifique-se de que o micrómetro de profundidade não toca no corpo principal da ferramenta quando o liga.

Instalar ou remover o sistema de coleta de pó

Acessório opcional

Para remover o sistema de coleta de pó, puxe a ferramenta enquanto pressiona o botão de desbloqueio. Para instalá-lo, insira a ferramenta no sistema de coleta de pó completamente até ficar bloqueada na posição correta com um pequeno clique.

► **Fig.17:** 1. Botão de desbloqueio

Reservatório de pó

Acessório opcional

Utilize o reservatório de pó para evitar que o pó caia sobre a ferramenta e sobre si quando realizar operações de perfuração acima da cabeça. Ligue o reservatório de pó à broca, conforme indicado na figura. O tamanho das brocas às quais o reservatório de pó pode ser ligado é o seguinte.

Modelo	Diâmetro da broca
Reservatório de pó 5	6 mm - 14,5 mm
Reservatório de pó 9	12 mm - 16 mm

► **Fig.18:** 1. Reservatório de pó

Conjunto do reservatório de pó

Acessório opcional

Instalar o conjunto do reservatório de pó

OBSERVAÇÃO: Se comprar o conjunto do reservatório de pó como acessório opcional, o punho lateral padrão não pode ser utilizado quando o conjunto do reservatório de pó estiver a ser instalado na ferramenta. Quando o conjunto do reservatório de pó estiver instalado na ferramenta, remova o punho do punho lateral padrão e, de seguida, anexe-o no conjunto da base do punho opcional.

► **Fig.19:** 1. Perno 2. Punho 3. Conjunto da base do punho opcional

OBSERVAÇÃO: Não utilize o conjunto do reservatório de pó quando perfurar em metal ou similar. Poderá danificar o conjunto do reservatório de pó devido ao calor produzido por pó metálico pequeno ou similar. Não instale ou remova o conjunto do reservatório de pó com a broca de perfurar instalada na ferramenta. Poderá danificar o conjunto do reservatório de pó e causar uma fuga de pó.

Antes de instalar o conjunto do reservatório de pó, remova a broca da ferramenta, caso instalada.

1. Instale o espaçador de modo a que os entalhes no espaçador encaixem nas saliências no cilindro da ferramenta enquanto o expande. Tenha cuidado para que a mola não saia da fenda do espaçador.

► **Fig.20:** 1. Espaçador 2. Mola

► **Fig.21**

2. Instale o punho lateral (conjunto da base do punho opcional e o punho removido do punho lateral padrão) de modo a que o entalhe no punho encaixe na saliência no espaçador. Rode o punho para a direita para fixá-lo.

► **Fig.22:** 1. Punho lateral

3. Instale o conjunto do reservatório de pó de modo a que as garras do reservatório de pó encaixem nas fendas no espaçador.

► **Fig.23:** 1. Reservatório de pó 2. Garras

NOTA: Se ligar um aspirador ao conjunto do reservatório de pó, remova a tampa de pó antes de ligá-lo.

► **Fig.24:** 1. Tampa de pó

Remover a broca de perfuração

Para remover a broca de perfurar, puxe a tampa do mandril completamente para baixo e extraia a broca de perfurar.

► **Fig.25:** 1. Broca 2. Tampa do mandril

Remover o conjunto do reservatório de pó

Siga os passos seguintes para remover o conjunto do reservatório de pó.

1. Solte o punho lateral.

► **Fig.26:** 1. Punho lateral

2. Segure na base do reservatório de pó e retire-a.

► **Fig.27:** 1. Reservatório de pó

NOTA: Se for difícil remover o conjunto do reservatório de pó, remova as garras do reservatório de pó uma por uma, rodando e puxando a base do reservatório de pó.

NOTA: Se a tampa sair do reservatório de pó, ligue-a com o lado impresso virado para cima, de modo a que a ranhura na tampa encaixe na periferia interior do acessório.

► **Fig.28**

Gancho

Acessório opcional

PRECAUÇÃO: Remova sempre a bateria quando pendurar a ferramenta com o gancho.

PRECAUÇÃO: Nunca enganche a ferramenta num local alto ou numa superfície potencialmente instável.

► **Fig.29:** 1. Ranhura 2. Gancho 3. Parafuso

O gancho é conveniente para pendurar a ferramenta temporariamente. Este pode ser instalado em ambos os lados da ferramenta.

Para instalar o gancho, insira-o numa ranhura no compartimento da ferramenta em qualquer um dos lados e fixe-o com um parafuso. Para removê-lo, solte o parafuso e, de seguida, remova-o.

Suspensor da ferramenta

Acessório opcional

PRECAUÇÃO: Não utilize o suspensor da ferramenta e o parafuso danificados. Antes de usar, verifique sempre eventuais danos, fendas ou deformações e certifique-se de que o parafuso está apertado.

PRECAUÇÃO: Instale ou remova o suspensor da ferramenta numa mesa ou superfície estável. Certifique-se de que utiliza apenas o parafuso fornecido com o suspensor da ferramenta. Após instalar o suspensor da ferramenta, certifique-se de que este está firmemente fixo com o parafuso.

PRECAUÇÃO: Não remova a bateria enquanto pendura a ferramenta. A ferramenta pode cair se o parafuso não estiver apertado.

O suspensor da ferramenta serve para ligar o cordão (tirante). Para instalar o suspensor da ferramenta, siga os passos seguintes.

1. Retire a bateria da ferramenta.
2. Prenda o suspensor da ferramenta desde a base da ferramenta, conforme apresentado na figura.
► Fig.30
3. Insira a saliência do suspensor da ferramenta na ranhura no lado esquerdo da ferramenta.
► Fig.31: 1. Ranhura 2. Protrusão

NOTA: O suspensor da ferramenta pode ser instalado apenas na direção indicada na figura.

4. Aperte o parafuso firmemente.
► Fig.32: 1. Parafuso

OPERAÇÃO

⚠PRECAUÇÃO: Utilize sempre o punho lateral (pega auxiliar) e segure firmemente a ferramenta pelos dois punhos laterais e troque a pega durante as operações.

⚠PRECAUÇÃO: Certifique-se sempre de que a peça de trabalho está fixa antes da operação.

⚠PRECAUÇÃO: Não puxe a ferramenta com força para a retirar mesmo que a broca fique presa. A perda de controle pode provocar ferimentos.

⚠PRECAUÇÃO: O sistema de coleta de pó destina-se à perfuração unicamente em cimento. Não utilize o sistema de coleta de pó para perfurar em metal ou madeira.

⚠PRECAUÇÃO: Quando utilizar a ferramenta com o sistema de coleta de pó, certifique-se de que coloca o filtro no sistema de coleta de pó para evitar a inalação de pó.

⚠PRECAUÇÃO: Antes de utilizar o sistema de coleta de pó, verifique se o filtro não está danificado. Caso não o faça, pode causar a inalação de pó.

⚠PRECAUÇÃO: O sistema de coleta de pó recolhe o pó produzido a uma taxa considerável, mas nem todo o pó pode ser recolhido.

OBSERVAÇÃO: Não utilize o sistema de coleta de pó para perfurar com broca de núcleo ou burilar.


OBSERVAÇÃO: Não utilize o sistema de coleta de pó para perfurar em cimento molhado nem utilize este sistema num ambiente húmido. Caso não o faça, pode provocar anomalias.

NOTA: Se a bateria estiver a baixa temperatura, a capacidade da ferramenta poderá não ser totalmente obtida. Neste caso, aqueça a bateria utilizando a ferramenta sem carga durante algum tempo para obter a capacidade total da ferramenta.

- Fig.33

Operação de perfuração com martelo

⚠PRECAUÇÃO: Uma força de torção enorme e repentina é exercida na ferramenta/broca de perfuração na altura em que o orifício avança, quando o orifício fica bloqueado com aparas ou partículas ou quando bate em vigas reforçadas no cimento. **Utilize sempre o punho lateral (pega auxiliar) e segure firmemente a ferramenta pelos dois punhos laterais e troque a pega durante as operações.** Se assim não for pode resultar em perda de controlo da ferramenta e possíveis ferimentos graves.


Defina o botão de alteração do modo de ação para o símbolo .

Coloque a broca de perfurar na posição pretendida para o orifício e carregue no gatilho do interruptor. Não force a ferramenta. Uma pressão ligeira oferece melhores resultados. Mantenha a ferramenta em posição e evite que deslize para fora do orifício.

Não aplique mais pressão quando o orifício fica bloqueado com aparas ou partículas. Em vez disso, coloque a ferramenta em ponto morto e retire a broca de perfurar parcialmente do orifício. Repetindo isto várias vezes, o orifício ficará limpo e pode voltar à perfuração normal.

NOTA: A excentricidade na rotação da broca de perfurar poderá ocorrer enquanto opera a ferramenta sem carga. A ferramenta centra-se automaticamente durante a operação. Isto não afeta a precisão de perfuração.

Aparamento/raspagem/demolição

Defina o botão de alteração do modo de ação para o símbolo .

Segure a ferramenta firmemente com as duas mãos. Ligue a ferramenta e aplique pressão ligeira na ferramenta para que a ferramenta não salte de forma descontrolada.

Pressionar a ferramenta com muita força não aumenta a sua eficiência.

- Fig.34

Perfuração em madeira ou metal

⚠PRECAUÇÃO: Segure a ferramenta com firmeza e tenha cuidado quando a broca de perfuração começar a atravessar a peça de trabalho. No momento de atravessar o orifício, exercer-se-á uma enorme força na ferramenta/broca de perfuração.


⚠PRECAUÇÃO: Uma broca de perfuração presa pode ser retirada colocando-se simplesmente o interruptor de inversão para rotação inversa para fazê-la sair. No entanto, a ferramenta pode saltar para trás de repente se não a agarrar firmemente.

⚠PRECAUÇÃO: Fixe sempre as peças de trabalho num torno ou outro dispositivo de fixação semelhante.

OBSERVAÇÃO: Nunca utilize “rotação com martelagem” quando o mandril porta-brocas estiver instalado na ferramenta. O mandril porta-brocas sofrerá danos.

Além disso, o mandril porta-brocas será extraído quando a ferramenta efetuar a rotação.

OBSERVAÇÃO: Não acelerará a perfuração se exercer demasiada pressão na ferramenta. Na realidade, esta pressão excessiva servirá apenas para danificar a ponta da broca de perfuração, diminuir o desempenho da ferramenta e encurtar o tempo de vida útil da ferramenta.


Defina o botão de alteração do modo de ação para o símbolo .

Anexe o adaptador do mandril a um mandril da broca sem chave ao qual pode ser instalado um parafuso de tamanho 1/2" - 20 e, de seguida, instale-os à ferramenta. Quando instalar o conjunto do mandril porta-brocas, consulte a secção “Instalar ou remover a broca de perfurar”.

- **Fig.35:** 1. Conjunto do mandril porta-brocas
2. Adaptador do mandril

Perfuração com broca de núcleo diamantada

OBSERVAÇÃO: Se realizar operações de perfuração com broca de núcleo diamantada com a ação “rotação com martelagem”, a broca de núcleo diamantada poderá sofrer danos.

Quando realizar operações de perfuração com broca de núcleo diamantada, coloque sempre a alavanca de mudança para a posição  para utilizar a ação de “apenas rotação”.

Bater no filtro para sacudir o pó

Acessório opcional

PRECAUÇÃO: Não rode o indicador na caixa do pó enquanto esta é removida do sistema de coleta de pó. Se o fizer, pode causar a inalação de pó.

PRECAUÇÃO: Desligue sempre a ferramenta quando rodar o indicador na caixa do pó. Rodar o indicador enquanto a ferramenta estiver a funcionar pode resultar na perda de controlo da ferramenta.

Ao bater no filtro para sacudir o pó no interior da caixa do pó, pode manter a eficiência de aspiração e também reduzir o número de vezes que elimina o pó. Rode o indicador na caixa do pó três vezes após recolher cada 50.000 mm³ de pó ou quando detetar a redução do desempenho de aspiração.

NOTA: 50.000 mm³ de pó equivale a perfurar 10 orifícios de $\varnothing 10$ mm e 65 mm de profundidade (14 orifícios de $\varnothing 3/8$ " e 2" de profundidade).

- **Fig.36:** 1. Caixa do pó 2. Indicador

Eliminação de pó

Acessório opcional

PRECAUÇÃO: Certifique-se sempre de que a ferramenta está desligada e a bateria retirada antes de executar qualquer trabalho na ferramenta.

PRECAUÇÃO: Certifique-se de que usa máscara antipoeira quando elimina o pó.

PRECAUÇÃO: Esvazie a caixa do pó regularmente antes de esta ficar cheia. Caso não o faça, pode diminuir o desempenho da coleta de pó e causar a inalação de pó.

PRECAUÇÃO: O desempenho da coleta de pó diminui se o filtro na caixa do pó ficar obstruído. Substitua o filtro por um novo após aproximadamente 200 vezes de enchimento de pó como guia. Caso não o faça, pode causar a inalação de pó.

1. Remova a caixa do pó enquanto pressiona a alavanca da caixa do pó para baixo.

- **Fig.37:** 1. Alavanca

2. Abra a tampa da caixa do pó.

- **Fig.38:** 1. Tampa

3. Elimine o pó e, de seguida, limpe o filtro.

- **Fig.39**

OBSERVAÇÃO: Quando limpar o filtro não toque no filtro com a escova ou um objeto similar nem sobre ar comprimido para o filtro. Pode danificar o filtro.

Ampola de sopragem

Acessório opcional

Após perfurar o orifício, utilize a ampola de sopragem para limpar o pó do orifício.

- **Fig.40**

Utilizar o conjunto do reservatório de pó

Acessório opcional

Encaixe o conjunto do reservatório de pó contra o teto quando operar a ferramenta.

- **Fig.41**

OBSERVAÇÃO: Não utilize o conjunto do reservatório de pó para perfurar em metal ou materiais similares. Pode danificar o conjunto do reservatório de pó devido ao calor produzido por pó metálico pequeno ou outro similar.

OBSERVAÇÃO: Não instale ou remova o conjunto do reservatório de pó com a broca de perfurar instalada na ferramenta. Pode danificar o conjunto do reservatório de pó e causar a fuga de pó.

Ligação de cordão (tirante) ao suspensor da ferramenta

⚠ Avisos de segurança específicos para utilização em altura

Leia todos os avisos e instruções de segurança. A inobservância dos avisos e das instruções pode resultar em ferimentos graves.

1. Mantenha sempre a ferramenta amarrada quando trabalhar “em altura”. O comprimento máximo do cordão é 2 m.
2. Utilize apenas com cordões apropriados para este tipo de ferramenta e com classificação nominal mínima de 4,5 kg.
3. Não amarre o cordão da ferramenta em nada no seu corpo ou em componentes móveis. Amarre o cordão da ferramenta a uma estrutura rígida capaz de suportar as forças de uma ferramenta caída.
4. Certifique-se de que o cordão está devidamente seguro em cada extremidade antes de utilizá-lo.
5. Inspeccione a ferramenta e o cordão antes de cada utilização quanto a eventuais danos e ao funcionamento correto (incluindo tecido e costura). Não o utilize se estiver danificado ou se não estiver a funcionar corretamente.
6. Não ate os cordões em redor de bordos afiados ou ásperos, nem permita que toquem nestes.
7. Aperte a outra extremidade do cordão fora da área de trabalho, de modo a segurar firmemente uma ferramenta caída.
8. Prenda o cordão, de modo que a ferramenta se afaste do operador no caso de cair. As ferramentas caídas balançam no cordão, o que pode causar ferimentos ou perda de equilíbrio.
9. Não o utilize próximo de peças móveis ou máquinas em funcionamento. Se o fizer, pode resultar em perigo de esmagamento ou emaranhamento.
10. Não transporte a ferramenta através do dispositivo de fixação ou do cordão.
11. Transfira a ferramenta de uma mão para a outra apenas enquanto estiver devidamente equilibrado.
12. Não prenda cordões à ferramenta de uma forma que impeça os interruptores ou bloqueio de gatilho (se fornecido) de funcionarem corretamente.
13. Evite ficar preso no cordão.
14. Mantenha o cordão afastado da área de perfuração da ferramenta.
15. Utilize mosquetões multifuncionais e do tipo parafuso. Não utilize mosquetões de mola de ação única.
16. No caso de a ferramenta cair, esta deve ser etiquetada e retirada de serviço e deve ser inspecionada por uma fábrica ou centro de assistência autorizado da Makita.

► Fig.42: 1. Suspensor da ferramenta 2. Cordão (tirante)

FUNÇÃO DE ATIVAÇÃO SEM FIOS

Acessório opcional

O que pode fazer com a função de ativação sem fios

A função de ativação sem fios possibilita um funcionamento limpo e confortável. Ao ligar um aspirador suportado à ferramenta, pode utilizar o aspirador automaticamente juntamente com o funcionamento por interruptor da ferramenta.

► Fig.43

Para utilizar a função de ativação sem fios, prepare os seguintes itens:

- Uma unidade sem fios (acessório opcional)
- Um aspirador que suporta a função de ativação sem fios

A vista geral da definição da função de ativação sem fios é a seguinte. Consulte cada secção para obter os procedimentos detalhados.

1. Instalar a unidade sem fios
2. Registo da ferramenta para o aspirador
3. Iniciar a função de ativação sem fios

Instalar a unidade sem fios

Acessório opcional

⚠PRECAUÇÃO: Coloque a ferramenta num superfície plana e estável quando instalar a unidade sem fios.

OBSERVAÇÃO: Limpe a poeira e a sujidade da ferramenta antes de instalar a unidade sem fios. A poeira ou a sujidade podem causar o mau funcionamento caso entrem na ranhura da unidade sem fios.

OBSERVAÇÃO: Para evitar o mau funcionamento causado pela estática, toque num material de descarga estática, tal como uma peça metálica da ferramenta, antes de pegar na unidade sem fios.

OBSERVAÇÃO: Quando instalar a unidade sem fios, certifique-se sempre de que a unidade sem fios é inserida na direção correta e que a tampa está completamente fechada.

1. Abra a tampa da ferramenta conforme ilustrado na figura.

► Fig.44: 1. Tampa

2. Insira a unidade sem fios na ranhura e feche a tampa, em seguida.

Quando inserir a unidade sem fios, alinhe as projeções com as partes encaixadas na ranhura.

► Fig.45: 1. Unidade sem fios 2. Projeção 3. Tampa 4. Parte encaixada

Quando remover a unidade sem fios, abra a tampa lentamente. Os ganchos na parte traseira da tampa elevam a unidade sem fios à medida que puxa a tampa para cima.

► **Fig.46:** 1. Unidade sem fios 2. Gancho 3. Tampa

Após remover a unidade sem fios, guarde-a na caixa fornecida ou num recipiente anti-estática.

OBSERVAÇÃO: Utilize sempre os ganchos da parte traseira da tampa quando remover a unidade sem fios. Se os ganchos não agarrarem a unidade sem fios, feche a tampa completamente e volte a abri-la lentamente.

Registo da ferramenta para o aspirador

NOTA: O aspirador Makita que suporta a função de ativação sem fios é necessário para o registo da ferramenta.

NOTA: Conclua a instalação da unidade sem fios na ferramenta antes de iniciar o registo da ferramenta.

NOTA: Durante o registo da ferramenta, não puxe o gatilho do interruptor ou ligue o interruptor de alimentação do aspirador.

NOTA: Consulte também o manual de instruções do aspirador.

Se pretender ativar o aspirador juntamente com o funcionamento por interruptor da ferramenta, conclua primeiramente o registo da ferramenta.

1. Instale as baterias no aspirador e na ferramenta.

2. Regule o interruptor do modo de espera no aspirador para "AUTO".

► **Fig.47:** 1. Interruptor do modo de espera

3. Pressione o botão de ativação sem fios do aspirador durante 3 segundos até a lâmpada de ativação sem fios piscar a verde. Em seguida, pressione o botão de ativação sem fios da ferramenta da mesma forma.

► **Fig.48:** 1. Botão de ativação sem fios 2. Lâmpada de ativação sem fios

Se o aspirador e a ferramenta forem ligados com sucesso, as lâmpadas de ativação sem fios acendem a verde durante 2 segundos e começam a piscar a azul.

NOTA: As lâmpadas de ativação sem fios acabam de piscar a verde após decorridos 20 segundos. Pressione o botão de ativação sem fios da ferramenta enquanto a lâmpada de ativação sem fios do aspirador estiver a piscar. Se a lâmpada de ativação sem fios não piscar a verde, pressione o botão de ativação sem fios por breves instantes e mantenha-o pressionado novamente.

NOTA: Quando realizar dois ou mais registos da ferramenta para um aspirador, conclua o registo da ferramenta um por um.

Iniciar a função de ativação sem fios

NOTA: Conclua o registo da ferramenta para o aspirador antes de realizar a ativação sem fios.

NOTA: Consulte também o manual de instruções do aspirador.

Após registar uma ferramenta para o aspirador, o aspirador funciona automaticamente com o funcionamento por interruptor da ferramenta.

1. Instale a unidade sem fios na ferramenta.

2. Ligue a mangueira do aspirador à ferramenta.

► **Fig.49**

3. Regule o interruptor do modo de espera no aspirador para "AUTO".

► **Fig.50:** 1. Interruptor do modo de espera

4. Pressione o botão de ativação sem fios da ferramenta por breves instantes. A lâmpada de ativação sem fios pisca a azul.

► **Fig.51:** 1. Botão de ativação sem fios 2. Lâmpada de ativação sem fios

5. Puxe o gatilho do interruptor da ferramenta.

Verifique se o aspirador funciona enquanto o gatilho do interruptor estiver puxado.

Para parar a ativação sem fios do aspirador, pressione o botão de ativação sem fios da ferramenta.

NOTA: A lâmpada de ativação sem fios da ferramenta para de piscar a azul quando não ocorre qualquer utilização durante 2 horas. Neste caso, regule o interruptor do modo de espera do aspirador para "AUTO" e pressione novamente o botão de ativação sem fios da ferramenta.

NOTA: O aspirador inicia/para com um atraso.

Ocorre um atraso temporal quando o aspirador deteta o funcionamento por interruptor da ferramenta.






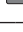



NOTA: A distância de transmissão da unidade sem fios poderá variar em função do local e das circunstâncias envolventes.

NOTA: Quando duas ou mais ferramentas forem registadas para um aspirador, o aspirador poderá iniciar o seu funcionamento mesmo que não puxe o gatilho do interruptor devido ao facto de outro utilizador estar a utilizar a função de ativação sem fios.

Descrição do estado da lâmpada de ativação sem fios

► Fig.52: 1. Lâmpada de ativação sem fios

A lâmpada de ativação sem fios exibe o estado da função de ativação sem fios. Consulte a tabela seguinte para obter o significado do estado da lâmpada.

Estado	Lâmpada de ativação sem fios				Descrição
	Cor	 Ligada	 A piscar	Duração	
Modo de espera	Azul			2 horas	A ativação sem fios do aspirador está disponível. A lâmpada desliga automaticamente quando o aspirador não é utilizado durante 2 horas.
				Quando a ferramenta estiver a funcionar.	A ativação sem fios do aspirador está disponível e a ferramenta está a funcionar.
Registo da ferramenta	Verde			20 segundos	Preparado para o registo da ferramenta. A aguardar o registo pelo aspirador.
				2 segundos	O registo da ferramenta foi concluído. A lâmpada de ativação sem fios começa a piscar a azul.
Cancelar o registo da ferramenta	Vermelho			20 segundos	Preparado para o cancelamento do registo da ferramenta. A aguardar o cancelamento pelo aspirador.
				2 segundos	O cancelamento do registo da ferramenta foi concluído. A lâmpada de ativação sem fios começa a piscar a azul.
Outros	Vermelho			3 segundos	A alimentação elétrica é fornecida à unidade sem fios e a função de ativação sem fios é iniciada.
	Desligada	-		-	A ativação sem fios do aspirador é interrompida.

Cancelar o registo da ferramenta para o aspirador

Realize o procedimento seguinte quando cancelar o registo da ferramenta para o aspirador.

1. Instale as baterias no aspirador e na ferramenta.
2. Regule o interruptor do modo de espera no aspirador para "AUTO".

► Fig.53: 1. Interruptor do modo de espera

3. Pressione o botão de ativação sem fios do aspirador durante 6 segundos. A lâmpada de ativação sem fios pisca a verde e fica vermelha, em seguida. Seguidamente, pressione o botão de ativação sem fios da ferramenta da mesma forma.

► Fig.54: 1. Botão de ativação sem fios 2. Lâmpada de ativação sem fios

Se o cancelamento for realizado com sucesso, as lâmpadas de ativação sem fios acendem a vermelho durante 2 segundos e começam a piscar a azul.

NOTA: As lâmpadas de ativação sem fios acabam de piscar a vermelho após decorridos 20 segundos. Pressione o botão de ativação sem fios da ferramenta enquanto a lâmpada de ativação sem fios do aspirador estiver a piscar. Se a lâmpada de ativação sem fios não piscar a vermelho, pressione o botão de ativação sem fios por breves instantes e mantenha-o pressionado novamente.

Resolução de problemas para a função de ativação sem fios

Antes de pedir uma reparação, realize primeiro a sua própria inspeção. Se encontrar um problema que não esteja explicado no manual, não tente desmontar a ferramenta. Em vez disso, peça as reparações nos centros de assistência técnica autorizados da Makita, usando sempre peças de substituição da Makita.

Estado da anomalia	Causa provável (avaria)	Correção
A lâmpada de ativação sem fios não acende/pisca.	A unidade sem fios não está instalada na ferramenta. A unidade sem fios está instalada incorretamente na ferramenta.	Instale a unidade sem fios corretamente.
	O terminal da unidade sem fios e/ou a ranhura estão sujos.	Limpe delicadamente a poeira e a sujidade do terminal da unidade sem fios e limpe a ranhura.
	O botão de ativação sem fios da ferramenta não foi pressionado.	Pressione o botão de ativação sem fios da ferramenta por breves instantes.
	O interruptor do modo de espera do aspirador não está regulado para "AUTO".	Regule o interruptor do modo de espera no aspirador para "AUTO".
	Sem fornecimento de alimentação elétrica	Forneça alimentação elétrica à ferramenta e ao aspirador.
Não foi possível concluir o registo da ferramenta / o cancelamento do registo da ferramenta com sucesso.	A unidade sem fios não está instalada na ferramenta. A unidade sem fios está instalada incorretamente na ferramenta.	Instale a unidade sem fios corretamente.
	O terminal da unidade sem fios e/ou a ranhura estão sujos.	Limpe delicadamente a poeira e a sujidade do terminal da unidade sem fios e limpe a ranhura.
	O interruptor do modo de espera do aspirador não está regulado para "AUTO".	Regule o interruptor do modo de espera no aspirador para "AUTO".
	Sem fornecimento de alimentação elétrica	Forneça alimentação elétrica à ferramenta e ao aspirador.
	Funcionamento incorreto	Pressione o botão de ativação sem fios por breves instantes e volte a realizar os procedimentos de registo da ferramenta/cancelamento.
	A ferramenta e o aspirador estão afastados um do outro (fora do alcance da transmissão).	Aproxime a ferramenta do aspirador. A distância máxima de transmissão é aproximadamente 10 m, contudo, poderá variar de acordo com as circunstâncias.
	Antes de concluir o registo da ferramenta/cancelamento: - o gatilho do interruptor da ferramenta está puxado ou; - o botão de alimentação do aspirador está ligado.	Pressione o botão de ativação sem fios por breves instantes e volte a realizar os procedimentos de registo da ferramenta/cancelamento.
	Os procedimentos de registo da ferramenta para a ferramenta ou aspirador não foram concluídos.	Realize os procedimentos de registo da ferramenta para a ferramenta e para o aspirador ao mesmo tempo.
Interferência radioelétrica por outros aparelhos que geram ondas de rádio de alta intensidade.	Mantenha a ferramenta e o aspirador afastados de aparelhos como dispositivos Wi-Fi e fornos microondas.	

Estado da anomalia	Causa provável (avaria)	Correção
O aspirador não funciona juntamente com o funcionamento por interruptor da ferramenta.	A unidade sem fios não está instalada na ferramenta. A unidade sem fios está instalada incorretamente na ferramenta.	Instale a unidade sem fios corretamente.
	O terminal da unidade sem fios e/ou a ranhura estão sujos.	Limpe delicadamente a poeira e a sujidade do terminal da unidade sem fios e limpe a ranhura.
	O botão de ativação sem fios da ferramenta não foi pressionado.	Pressione o botão de ativação sem fios por breves instantes e certifique-se de que a lâmpada de ativação sem fios está a piscar a azul.
	O interruptor do modo de espera do aspirador não está regulado para "AUTO".	Regule o interruptor do modo de espera no aspirador para "AUTO".
	Estão registadas mais de 10 ferramentas para o aspirador.	Realize o registo da ferramenta novamente. Se estiverem registadas mais de 10 ferramentas para o aspirador, a ferramenta registada mais cedo será cancelada automaticamente.
	O aspirador apagou todos os registos da ferramenta.	Realize o registo da ferramenta novamente.
	Sem fornecimento de alimentação elétrica	Forneça alimentação elétrica à ferramenta e ao aspirador.
	A ferramenta e o aspirador estão afastados um do outro (fora do alcance da transmissão).	Aproxime a ferramenta do aspirador. A distância máxima de transmissão é aproximadamente 10 m, contudo, poderá variar de acordo com as circunstâncias.
	Interferência radioelétrica por outros aparelhos que geram ondas de rádio de alta intensidade.	Mantenha a ferramenta e o aspirador afastados de aparelhos como dispositivos Wi-Fi e fornos microondas.
O aspirador funciona enquanto o gatilho do interruptor não for puxado.	Outros utilizadores estão a utilizar a ativação sem fios do aspirador com as respetivas ferramentas.	Desligue o botão de ativação sem fios das outras ferramentas ou cancele o registo da ferramenta das outras ferramentas.

MANUTENÇÃO

⚠️ PRECAUÇÃO: Certifique-se sempre de que a ferramenta se encontra desligada e de que a bateria foi retirada antes de executar qualquer inspeção ou manutenção.

OBSERVAÇÃO: Nunca utilize gasolina, benzina, diluente, álcool ou produtos semelhantes. Pode ocorrer a descoloração, deformação ou rachaduras.

Para manter a SEGURANÇA e a FIABILIDADE do produto, as reparações e qualquer outra manutenção ou ajuste devem ser levados a cabo pelos centros de assistência Makita autorizados ou pelos centros de assistência de fábrica, utilizando sempre peças de substituição Makita.

Substituir o filtro da caixa do pó

Acessório opcional

- Remova a caixa do pó enquanto pressiona a alavanca da caixa do pó para baixo.
► **Fig.55:** 1. Alavanca
- Insira a aparafusadora de lâmina plana nas ranhuras da tampa do filtro para remover a tampa do filtro.
► **Fig.56:** 1. Aparafusadora de lâmina plana 2. Tampa do filtro
- Remova o filtro da caixa do filtro.
► **Fig.57:** 1. Filtro 2. Caixa do filtro
- Prenda um filtro novo à caixa do filtro e, em seguida, prenda a tampa do filtro.
- Feche a tampa da caixa do pó e, em seguida, prenda a caixa do pó ao sistema de coleta de pó.

Substituir a tampa do vedante

Acessório opcional

Se a tampa do vedante estiver desgasta, o desempenho da coleta de pó diminui. Substitua-a caso esteja desgasta.
Remova a tampa do vedante e, de seguida, coloque uma nova com a respetiva protusão virada para cima.
► **Fig.58:** 1. Protusão 2. Tampa do vedante

ACESSÓRIOS OPCIONAIS

⚠️ PRECAUÇÃO: Estes acessórios ou peças são recomendados para utilização com a ferramenta Makita especificada neste manual. A utilização de outros acessórios ou peças pode ser perigosa para as pessoas. Utilize apenas acessórios ou peças para os fins indicados.

Se necessitar de informações adicionais relativas a estes acessórios, solicite-as ao seu centro de assistência Makita.

- Brocas de perfurar com ponta de carboneto (brocas de perfurar com ponta de carboneto SDS-plus)
- Broca de núcleo
- Butil de ponta
- Broca de núcleo diamantada
- Butil
- Butil de raspagem
- Butil para ranhuras
- Adaptador do mandril
- Mandril da broca sem chave
- Massa lubrificante da broca
- Micrómetro de profundidade
- Ampola de sopragem
- Reservatório de pó
- Conjunto do reservatório de pó
- Sistema de coleta de pó
- Unidade sem fios
- Gancho
- Suspensor da ferramenta
- Bateria e carregador genuínos da Makita
- Óculos de segurança
- Mala de transporte em plástico

NOTA: Alguns itens da lista podem estar incluídos na embalagem da ferramenta como acessórios padrão. Eles podem variar de país para país.

SPECIFIKATIONER

Model:		DHR182
Kapacitet	Beton	18 mm
	Kernebit	35 mm
	Diamantkernebit (tør type)	32 mm
	Stål	13 mm
	Træ	24 mm
Hastighed uden belastning		0 - 1.350 min ⁻¹
Slag pr. minut		0 - 5.000 min ⁻¹
Samlet længde		301 mm
Mærkespænding		18 V DC
Nettovægt		2,4 - 3,2 kg

Ekstraudstyr

Model:		DX05
Sugeevne		250 l/min
Driftsslaglængde		Op til 90 mm
Passende borebit		Op til 160 mm
Nettovægt		0,9 kg

- På grund af vores kontinuerlige forsknings- og udviklingsprogrammer kan hosstående specifikationer blive ændret uden varsel.
- Specifikationer og akku kan variere fra land til land.
- Vægten kan være anderledes afhængigt af tilbehøret, inklusive akkuen. Den letteste og tungeste kombination i henhold til EPTA-procedure 01/2014 er vist i tabellen.

Anvendelig akku

BL1815N / BL1820 / BL1820B / BL1830 / BL1830B / BL1840 / BL1840B / BL1850 / BL1850B / BL1860B

- Nogle af de akkuer, der er angivet ovenfor, er muligvis ikke tilgængelige, afhængigt af hvilket område du bor i.

⚠ ADVARSEL: Brug kun de akkuer, der er angivet ovenfor. Brug af andre akkuer kan medføre personskaade og/eller brand.

Tilsigtet brug

Denne maskine er beregnet til hammerboring og boring i mursten, beton og sten samt til mejslingsarbejde. Den er også egnet til boring uden slag i træ, metal, keramik og plastik.

Lyd

Det typiske A-vægtede støjniveau bestemt i overensstemmelse med EN60745-2-6:

Model DHR182

Lydtryksniveau (L_{pA}): 89 dB (A)

Lyd effektiveau (L_{WA}): 100 dB (A)

Usikkerhed (K): 3 dB (A)

Model DHR182 med DX05

Lydtryksniveau (L_{pA}): 90 dB (A)

Lyd effektiveau (L_{WA}): 101 dB (A)

Usikkerhed (K): 3 dB (A)

BEMÆRK: De(n) angivne støjmissionsværdi(er) er målt i overensstemmelse med en standardtestmetode og kan anvendes til at sammenligne en maskine med en anden.

BEMÆRK: De(n) angivne støjmissionsværdi(er) kan også anvendes i en præliminær eksponeringsvurdering.

⚠ ADVARSEL: Bær høreværn.

⚠ ADVARSEL: Støjmissionen under den faktiske anvendelse af maskinen kan være forskellig fra de(n) angivne værdi(er), afhængigt af den måde hvorpå maskinen anvendes, især den type arbejdsemne der behandles.

⚠ ADVARSEL: Sørg for at identificere de sikkerhedsforskrifter til beskyttelse af operatøren, som er baseret på en vurdering af eksponering under de faktiske brugsforhold (med hensyntagen til alle dele i brugscyklussen, f.eks. de gange, hvor maskinen er slukket, og når den kører i tomgang i tilgift til afbrydertiden).

Vibration

Følgende tabel viser vibrationens totalværdi (tre-aksial vektorsum) bestemt i overensstemmelse med den gældende standard.

Arbejdstilstand	Vibrationsemission	Usikkerhed (K)	Gældende standard
Slagboring i beton ($a_{h, HD}$)	11,0 m/s ²	1,5 m/s ²	EN60745-2-6
Slagboring i beton med DX05 ($a_{h, HD}$)	11,0 m/s ²	1,5 m/s ²	EN60745-2-6
Mejsslingsfunktion med sidehåndtag ($a_{h, Cheq}$)	9,0 m/s ²	1,5 m/s ²	EN60745-2-6
Boring i metal ($a_{h, D}$)	2,5 m/s ²	1,5 m/s ²	EN60745-2-1

BEMÆRK: De(n) angivne totalværdi(er) for vibration er målt i overensstemmelse med en standardtestmetode og kan anvendes til at sammenligne en maskine med en anden.

BEMÆRK: De(n) angivne totalværdi(er) for vibration kan også anvendes i en præliminær eksponeringsvurdering.

⚠ ADVARSEL: Vibrationsemissionen under den faktiske anvendelse af maskinen kan være forskellig fra de(n) angivne værdi(er), afhængigt af den måde hvorpå maskinen anvendes, især den type arbejdsemne der behandles.

⚠ ADVARSEL: Sørg for at identificere de sikkerhedsforskrifter til beskyttelse af operatøren, som er baseret på en vurdering af eksponering under de faktiske brugsforhold (med hensyntagen til alle dele i brugscyklussen, f.eks. de gange, hvor maskinen er slukket, og når den kører i tomgang i tilgift til afbrydertiden).

EU-overensstemmelseserklæring

Kun for lande i Europa

EU-overensstemmelseserklæringen er inkluderet som Bilag A i denne brugsanvisning.

SIKKERHEDSADVARSLER

Almindelige sikkerhedsregler for el-værktøj

⚠ ADVARSEL: Læs alle de sikkerhedsadvarsler, instruktioner, illustrationer og specifikationer, der følger med denne maskine. Forsømmelse af at overholde alle nedenstående instruktioner kan medføre elektrisk stød, brand og/eller alvorlig personskade.

Gem alle advarsler og instruktioner til fremtidig reference.

Ordet "el-værktøj" i advarslerne henviser til det netforsyede (netledning) el-værktøj eller batteriforsyede (akku) el-værktøj.

SIKKERHEDSADVARSLER FOR AKKU-BOREHAMMER

- Bær høreværn.** Udsættelse for støj kan medføre høreskader.
- Brug hjælpehåndtaget (-håndtagene), hvis sådanne følger med maskinen.** Hvis herredømmet over maskinen mistes, kan det føre til tilskadecomst.
- Hold maskinen i de isolerede håndtagsflader, når der udføres et arbejde, hvor det skærende tilbehør kan komme i kontakt med skjulte ledninger.** Skærende tilbehør, som kommer i kontakt med en strømførende ledning, kan bevirke, at udsatte metaldele på maskinen bliver strømførende, hvorved operatøren kan få elektrisk stød.
- Bær hjelm (sikkerhedshjelm), sikkerhedsbriller og/eller ansigtsskjold.** Almindelige briller eller solbriller er IKKE sikkerhedsbriller. Det anbefales desuden på det kraftigste at bære støvmaske og kraftigt polstrede handsker.
- Sørg for, at bitten sidder godt fast før brugen.**
- Maskinen er designet til at forårsage vibration ved normal brug.** Skruerne kan nemt løse sig og medføre et nedbrud eller en ulykke. Kontroller før brugen, at skruerne sidder stramt.
- I koldt vejr, eller hvis maskinen ikke har været anvendt i længere tid, skal du lade maskinen varme op et stykke tid ved at lade den køre i tomgang.** Derved blødgøres smøremidlet. Uden korrekt opvarmning kan det være vanskeligt at betjene hammeren.
- Vær altid sikker på, at De har et godt fodfæste.** Vær sikker på, at der ikke befinder sig nogen nedenunder, når maskinen anvendes i højden.
- Hold godt fast i maskinen med begge hænder.**
- Hold hænderne på afstand fra bevægelige dele.**
- Lad ikke maskinen køre i tomgang.** Anvend kun maskinen håndholdt.
- Ret ikke maskinen mod personer i nærheden, mens den kører.** Bitten kan flyve ud og forårsage alvorlig personskade.
- Rør ikke ved bitten eller dele i nærheden af bitten eller arbejdsemnet umiddelbart efter brugen.** De kan være meget varme og kan forårsage forbrændinger af huden.

- Nogle materialer indeholder kemikalier, som kan være giftige. Vær påpasselig med at forhindre inhalering af støv og hudkontakt. Følg materiale-leverandørens sikkerhedsdata.
- Sørg altid for, at der er slukket for maskinen, og at akkuen og bitten er fjernet, før du overdrager maskinen til en anden person.
- Følg de lokale love vedrørende bortskaffelsen af batterier.
- Brug kun batterierne med de produkter, som Makita specificerer. Hvis batterierne installeres i ikke-kompatible produkter, kan det medføre brand, kraftig varme, eksplosion eller udsivning af elektrolyt.

GEM DENNE BRUGSANVISNING.

⚠ ADVARSEL: LAD IKKE bekvemmelighed eller kendskab til produktet (opnået gennem gentagen brug) forhindre, at sikkerhedsforskrifterne for produktet nøje overholdes. MISBRUG eller for sømmelse af at følge de i denne brugsvejledning givne sikkerhedsforskrifter kan føre til, at De kommer alvorligt til skade.

Vigtige sikkerhedsinstruktioner for akkuen

- Læs alle instruktioner og advarselsmærkater på (1) akku-opladeren, (2) akkuen og (3) produktet, som anvender akku.
- Lad være med at skille akkuen ad.
- Hold straks op med anvendelsen, hvis brugstiden er blevet stærkt afkortet. Fortsæt anvendelse kan resultere i risiko for overophedning, forbrændinger og endog eksplosion.
- Hvis De har fået elektrolytvæske i øjnene, skal De straks skylle den ud med rent vand og derefter øjeblikkeligt søge lægehjælp. I modsat fald kan De miste synet.
- Vær påpasselig med ikke at komme til at kortslutte akkuen:
 - Rør ikke ved terminalerne med noget ledende materiale.
 - Undgå at opbevare akkuen i en beholder sammen med andre genstande af metal, for eksempel søm, mønter og lignende.
 - Udsæt ikke akkuen for vand eller regn. Kortslutning af akkuen kan forårsage en kraftig øgning af strømmen, overophedning, mulige forbrændinger og endog værktøjstop.
- Opbevar ikke værktøjet og akkuen på et sted, hvor temperaturen kan nå eller overstige 50 °C.
- Lad være med at brænde akkuen, selv ikke i tilfælde, hvor den har lidt alvorlig skade eller er fuldstændig udtjent. Akkuen kan eksplodere, hvis man forsøger at brænde den.
- Lad være med at brænde akkuen eller udsætte den for stød.
- Anvend ikke en beskadiget akku.
- De indbyggede litium-ion-batterier er underlagt lovkrav vedrørende farligt gods. Ved kommerciel transport, f.eks. af tredjeparts transportselskaber, skal særlige krav til forpakning og mærkning overholdes. Ved forberedelse af udstyret til forsendelse skal du kontakte en ekspert i farligt gods. Overhold også eventuel mere detaljeret national lovgivning. Tape eller tildæk åbne kontakter, og pak batteriet på en måde, så det ikke kan flytte sig rundt i pakningen.

GEM DENNE BRUGSANVISNING.

⚠ FORSIGTIG: Brug kun originale batterier fra Makita. Brug af uoriginale Makita-batterier, eller batterier som er blevet ændret, kan muligvis medføre brud på batteriet, hvilket kan forårsage brand, personskade eller beskadigelse. Det ugyldiggør også Makita-garantien for Makita-maskinen og opladeren.

Tips til opnåelse af maksimal akku-levetid

- Oplad akkuen, inden den er helt afladet. Stop altid værktøjet, og oplad akkuen, hvis De bemærker, at værktøjeffekten er aftagende.
- Genoplad aldrig en fuldt opladet akku. Overoplading vil afkorte akkuens levetid.
- Oplad akkuen ved stuetemperatur ved 10 °C - 40 °C. Lad altid en varm akku få tid til at køle af, inden den oplades.
- Oplad akkuen, hvis De ikke skal bruge den i længere tid (mere end seks måneder).

Vigtige sikkerhedsinstruktioner for trådløs enhed

- Undlad at adskille eller ændre den trådløse enhed.
- Opbevar den trådløse enhed utilgængeligt for små børn. Søg øjeblikkeligt læge, hvis den sluges ved et uheld.
- Brug kun den trådløse enhed sammen med maskiner fra Makita.
- Udsæt ikke den trådløse enhed for regn eller våde omgivelser.
- Brug ikke den trådløse enhed på steder, hvor temperaturen overskrider 50 °C.
- Brug ikke den trådløse enhed i nærheden af medicinske instrumenter som f.eks. pacemakere.
- Brug ikke den trådløse enhed i nærheden af automatiske enheder. Hvis den bruges, kan automatiske enheder udvikle fejlfunktion eller fejl.
- Undlad at betjene den trådløse enhed på steder med høje temperaturer eller steder, hvor der kan genereres statisk elektricitet eller elektrisk støj.
- Den trådløse enhed kan frembringe elektromagnetiske felter (EMF), men de er ikke skadelige for brugeren.
- Den trådløse enhed er et præcisionsinstrument. Undgå at tabe eller slå på den trådløse enhed.
- Undgå at berøre terminalen på den trådløse enhed med de bare hænder eller metalliske materialer.

12. Tag altid batteriet ud af produktet, når den trådløse enhed monteres på det.
13. Når låget på åbningen åbnes, skal du undgå steder, hvor der kan komme støv eller vand ind i åbningen. Hold altid indgangen til åbningen ren.
14. Indsæt altid den trådløse enhed i den rigtige retning.
15. Undgå at trykke for hårdt på den trådløse aktiveringsknap på den trådløse enhed og/eller at trykke på knappen med en genstand med en skarp kant.
16. Luk altid låget på åbningen under brug.
17. Undlad at fjerne den trådløse enhed fra åbningen, når der er sluttet strøm til maskinen. Hvis du gør dette, kan det medføre funktionsfejl i den trådløse enhed.
18. Undlad at fjerne etiketten på den trådløse enhed.
19. Undlad at sætte nogen etiket på den trådløse enhed.
20. Lad ikke den trådløse enhed ligge på steder, hvor der kan genereres statisk elektricitet eller elektrisk støj.
21. Lad ikke den trådløse enhed ligge på steder, der er udsat for høj varme, for eksempel en bil, der står i solen.
22. Lad ikke den trådløse enhed ligge på et sted med støv eller pulver eller på et sted, hvor der kan udvikles ætsende gas.
23. En pludselig temperaturændring kan forårsage dug på den trådløse enhed. Brug ikke den trådløse enhed, før duggen er tørret helt bort.
24. Ved rengøring af den trådløse enhed skal den aftørres forsigtigt med en tør, blød klud. Brug ikke rensebenzin, fortynder, ledende fedtstof eller lignende.
25. Ved opbevaring af den trådløse enhed skal den opbevares i den medfølgende æske eller i en beholder, der er fri for statisk elektricitet.
26. Indsæt ikke andre enheder end den trådløse enhed fra Makita i åbningen på maskinen.
27. Undlad at bruge maskinen, hvis låget til åbningen er beskadiget. Vand, støv og snavs, der kommer ind i åbningen, kan forårsage fejlfunktion.
28. Undlad at trække og/eller vride låget til åbningen mere end nødvendigt. Sæt låget på igen, hvis det falder af maskinen.
29. Udskift låget til åbningen, hvis det bliver væk eller ødelægges.

GEM DISSE FORSKRIFTER.

FUNKTIONSBESKRIVELSE

⚠FORSIGTIG: Sørg altid for at maskinen er slukket, og at akkuen er taget ud, før der udføres justering eller kontrol af funktioner på maskinen.

Isætning eller fjernelse af akkuen

⚠FORSIGTIG: Sluk altid for værktøjet, før De monterer eller fjerner akkuen.

⚠FORSIGTIG: Hold værktøjet og akkuen fast ved montering eller fjernelse af akkuen. Hvis De ikke holder værktøjet og akkuen fast, kan de glide ud af hænderne på Dem og forårsage beskadigelse af værktøjet og akkuen eller personskaade.

► Fig.1: 1. Rød indikator 2. Knap 3. Akku

Akkuen fjernes ved, at De trækker den ud af værktøjet, idet De skyder knappen på forsiden af akkuen i stilling.

Akkuen monteres ved, at De sætter tungen på akkuen ud for noten i kabinettet og lader den glide på plads. Sæt den hele vejen ind, så den låses på plads med et lille klik. Hvis den røde indikator på oversiden af knappen er synlig, betyder det, at den ikke er tilstrækkeligt låst.

⚠FORSIGTIG: Monter altid akkuen helt, indtil den røde indikator ikke længere er synlig. Hvis dette ikke gøres, kan den falde ud af værktøjet ved et uheld, hvorved De selv eller personer i nærheden kan komme til skade.



















⚠FORSIGTIG: Brug ikke magt ved montering af akkuen. Hvis akkuen ikke glider på plads uden problemer, betyder det, at den ikke sættes i på korrekt vis.

Indikation af den resterende batteriladning

Kun til akkuer med indikatoren

► Fig.2: 1. Indikatorlamper 2. Kontrolknap

Tryk på kontrolknappen på akkuen for at få vist den resterende batteriladning. Indikatorlampen lyser i nogle sekunder.

Indikatorlamper			Resterende ladning
 Tændt	 Slukket	 Blinker	
			75% til 100%
			50% til 75%
			25% til 50%
			0% til 25%
			Genoplad batteriet.
			Der er muligvis fejl i batteriet.
			

BEMÆRK: Afhængigt af brugsforholdene og den omgivende temperatur kan indikationen afvige en smule fra den faktiske ladning.

Beskyttelsessystem til værktøj/batteri

Maskinen er udstyret med et beskyttelsessystem til maskinen/batteriet. Dette system afbryder automatisk strømmen til motoren for at forlænge maskinens og batteriets levetid. Maskinen stopper automatisk under brugen, hvis maskinen eller batteriet udsættes for et af følgende forhold:

Overbelastningsbeskyttelse

Hvis batteriet bruges på en måde, der får det til at trække en unormalt høj strøm, stopper maskinen automatisk uden indikation. Sluk i så fald for maskinen, og stop den anvendelse, der medførte overbelastningen af maskinen. Tænd derefter for maskinen for at starte igen.

Beskyttelse mod overophedning

Hvis maskinen eller batteriet bliver overophedet, stopper maskinen automatisk. Lad i så fald maskinen og batteriet køle ned, før der tændes for maskinen igen.

BEMÆRK: Når maskinen er overophedet, blinker lampen.

Beskyttelse mod overafledning

Når batteriladningen er utilstrækkelig, stopper maskinen automatisk. Tag i så fald akkuen ud af maskinen, og oplad akkuen.

Afbryderbetjening

⚠ ADVARSEL: Inden akkuen sættes i maskinen, bør De altid kontrollere, at afbryderknappen fungerer korrekt, og returnerer til "OFF"-positionen, når den slippes.

► **Fig.3:** 1. Afbryderknop

For at starte maskinen trykkes der blot på afbryderknappen. Maskinens hastighed øges ved at øge trykket på afbryderknappen. Slip afbryderknappen for at stoppe.

Tænding af lampen foran

► **Fig.4:** 1. Lampe

⚠ FORSIGTIG: Kig aldrig direkte på lyskilden. Lad ikke lyset falde i Deres øjne.

Tryk afbryderknappen ind for at tænde for lampen. Lampen fortsætter med at lyse, så længe afbryderknappen trykkes ind. Lampen slukker omkring 10 sekunder efter at afbryderknappen er udløst.

BEMÆRK: Brug en tør klud til at tørre snavset af lampens linse. Pas på ikke at ride lampens linse, da dette muligvis kan dæmpe belysningen.

Omløbsvælgerbetjening

► **Fig.5:** 1. Omløbsvælger

⚠ FORSIGTIG: Kontrollér altid omløbsretningen, inden arbejdet påbegyndes.

⚠ FORSIGTIG: Flyt kun omløbsvælgeren, når maskinen er helt standset. Hvis omløbsretningen ændres, inden maskinen er helt stoppet, kan det beskadige maskinen.

⚠ FORSIGTIG: Sæt altid omløbsvælgeren i neutral stilling, når maskinen ikke anvendes.

Denne maskinen har en omløbsvælger til at skifte omløbsretning. Skub omløbsvælgeren ind fra A-siden for omdrejning med uret, og fra B-siden for omdrejning mod uret.


Når omløbsvælgeren er i neutral stilling, kan afbryderknappen ikke trykkes ind.

Valg af funktionsmåden

BEMÆRKNING: Undlad at dreje omskifterknappen til ændring af funktionsmåde, mens maskinen kører. Maskinen vil blive beskadiget.


BEMÆRKNING: For at undgå hurtigt slid på mekanismen til funktionsskift skal du sikre dig, at omskifterknappen til ændring af funktionsmåde altid er forsvarligt placeret i en af de tre funktionspositioner.

Rotation med hamring

Ved boring i beton, murværk osv. skal omskifterknappen til ændring af funktionsmåde drejes til -symbolet. Brug en bit med tungstenkarbidspids (ekstraudstyr).


► **Fig.6:** 1. Rotation med hamring 2. Omskifterknop til ændring af funktionsmåde

Kun rotation

Ved boring i træ, metal eller plastikmaterialer skal omskifterknappen til ændring af funktionsmåde drejes til -symbolet. Brug en snegleborsbit eller en træborsbit.

► **Fig.7:** 1. Kun rotation

Kun hamring

Til mejslings-, afbanknings- eller nedrivningsformål skal omskifterknappen til ændring af funktionsmåde drejes til -symbolet. Brug en spidshammer, koldmejsel, afbankningsmejsel osv.

► **Fig.8:** 1. Kun hamring

Justering af positionen af studsens på systemet til støvopsamling

Ekstraudstyr

Tryk styret ind, idet styrjusteringsknappen skubbes opad, og slip derefter knappen i den ønskede position.

► **Fig.9:** 1. Styr 2. Styrjusteringsknop

BEMÆRK: Før du justerer studsens position, skal du slippe studsens helt frem ved at skubbe styrjusteringsknappen opad.

Justering af boreddybden på systemet til støvopsamling

Ekstraudstyr

Flyt dybdejusteringsknappen til den ønskede position, idet den skubbes opad. Afstanden (A) er boreddybden.

► **Fig.10:** 1. Dybdejusteringsknapp

Momentbegrænser

BEMÆRKNING: Så snart momentbegrænsere udløses, skal du med det samme slukke for maskinen. Dette hjælper med til at forhindre, at maskinen nedslides for tidligt.

BEMÆRKNING: Borebits som f.eks. hulsave, der nemt kommer i klemme eller sætter sig fast i hullet, er ikke egnede til brug sammen med denne maskine. Dette skyldes, at de vil få momentbegrænsere til at blive udløst for tit.

Momentbegrænsere udløses, når et vist momentniveau nås. Motoren vil koble fra udgangsakslen. Når dette sker, holder borebitten op med at dreje rundt.

Elektronisk funktion

Maskinen er udstyret med elektroniske funktioner for nem betjening.

- Konstant hastighedskontrol
Funktionen til hastighedskontrol sørger for konstant rotationshastighed uanset belastningsforholdene.

SAMLING

⚠FORSIGTIG: Sørg altid for at maskinen er slukket, og at akkuen er taget ud, før der udføres noget arbejde på maskinen.

Sidehåndtag (ekstra håndtag)

⚠FORSIGTIG: Brug altid sidehåndtaget for sikker betjening.

⚠FORSIGTIG: Efter montering eller justering af sidehåndtaget skal du sikre dig, at sidehåndtaget er sikkert fastgjort.

Monter sidehåndtaget, så rillerne på håndtaget passer i fremspringene på maskincylindere. Drej håndtaget i retning med uret for at fastgøre det. Håndtaget kan fastgøres i den ønskede vinkel.

► **Fig.11:** 1. Sidehåndtag

Fedtstof

Dæk skaftenden af borebitten med en lille smule fedtstof (cirka 0,5 - 1 g) på forhånd.

Denne smøring af patronen sikrer en jævn funktion og længere levetid.

Montering eller afmontering af borebitten

Rengør skaftenden på borebitten, og påsmør fedtstof, før borebitten monteres.

► **Fig.12:** 1. Skaftende 2. Fedtstof

Sæt borebitten i maskinen. Drej borebitten, og tryk den ind, indtil den griber fat.

Efter montering af borebitten skal du altid sikre dig, at borebitten sidder godt fast, ved at forsøge at trække den ud.

► **Fig.13:** 1. Borebit

For at fjerne borebitten skal du trække patrondækslet helt ned og derefter trække borebitten ud.

► **Fig.14:** 1. Borebit 2. Patrondæksel

Vinkel på mejsl (under mejsling, afbankning eller nedrivning)

Mejslen kan fastgøres i den ønskede vinkel. Hvis du vil ændre vinklen på mejslen, skal du dreje omskifterknappen til ændring af funktionsmåde til O-symbolet. Drej mejslen til den ønskede vinkel.

► **Fig.15:** 1. Omskifterknapp til ændring af funktionsmåde

Drej omskifterknappen til ændring af funktionsmåde til T-symbolet. Sørg derefter for, at mejslen sidder fast på plads, ved at dreje den en smule.

Dybdemåler

Dybdemåleren er praktisk til at bore huller med den samme dybde. Løsn sidehåndtaget, og isæt dybdemåleren i hullet på sidehåndtaget. Juster dybdemåleren, så den har den ønskede dybde, og spænd derefter sidehåndtaget godt til.

► **Fig.16:** 1. Hul 2. Dybdemåler

BEMÆRK: Sørg for, at dybdemåleren ikke berører maskinens kabinet, når den monteres.

Montering eller fjernelse af systemet til støvopsamling

Ekstraudstyr

Hvis du vil fjerne systemet til støvopsamling, skal du trække i maskinen, idet der trykkes på lås fra-knappen. For at montere det skal du sætte maskinen hele vejen ind i systemet til støvopsamling, indtil det låses på plads med et lille klik.

► **Fig.17:** 1. Lås fra-knapp

Støvopsamler

Ekstraudstyr

Brug støvopsamleren til at undgå, at støv falder ned over maskinen og dig selv, når du borer over hovedet på dig selv. Monter støvopsamleren på bittens som vist i figuren. Størrelsen af de bits, som støvopsamleren kan monteres på, er som følger.

Model	Bitdiameter
Støvopsamler 5	6 mm - 14,5 mm
Støvopsamler 9	12 mm - 16 mm

► **Fig.18:** 1. Støvopsamler

Støvopsamlersæt

Ekstraudstyr

Installation af støvopsamlersættet

BEMÆRKNING: Hvis du køber støvopsamlersættet som ekstraudstyr, kan standardsidehåndtaget ikke anvendes, når støvopsamlersættet er monteret på maskinen. Når støvopsamlersættet er monteret på maskinen, skal du fjerne håndtaget fra standardsidehåndtaget og derefter montere det på håndtagsbasesættet, der fås som ekstraudstyr.

► **Fig.19:** 1. Bolt 2. Håndtag 3. Valgfrit håndtagsbasesæt

BEMÆRKNING: Brug ikke støvopsamlersættet, når du borer i metal eller lignende. Det kan beskadige støvopsamlersættet på grund af den varme, som fint metalstøv eller lignende frembringer. Undlad at montere eller fjerne støvopsamlersættet, mens borebitten er monteret på maskinen. Det kan beskadige støvopsamlersættet og forårsage lækage af støv.

Tag bitten ud af maskinen, hvis den er monteret, før støvopsamlersættet monteres.

1. Monter afstandsstykket, så rillerne på afstandsstykket passer i fremspringene på maskincylindren, når det udvides. Sørg omhyggeligt for, at fjederen ikke stikker ud fra revnen på afstandsstykket.

► **Fig.20:** 1. Afstandsstykke 2. Fjeder

► **Fig.21**

2. Monter sidehåndtaget (valgfrit håndtagsbasesæt og håndtaget fjernet fra standardsidehåndtaget), så rillen på håndtaget passer i fremspringet på afstandsstykket. Drej håndtaget i retning med uret for at fastgøre det.

► **Fig.22:** 1. Sidehåndtag

3. Monter støvopsamlersættet, så kløerne på støvopsamleren passer i revnerne på afstandsstykket.

► **Fig.23:** 1. Støvopsamler 2. Kløer

BEMÆRK: Hvis du forbinder en støvsuger til støvopsamlersættet, skal du fjerne støvhætten, før du tilslutter den.

► **Fig.24:** 1. Støvhætte

Fjernelse af borebitten

For at fjerne borebitten skal du trække patrondækslet helt ned og derefter trække borebitten ud.

► **Fig.25:** 1. Bit 2. Patrondæksel

Fjernelse af støvopsamlersættet

Benyt nedenstående fremgangsmåde for at fjerne støvopsamlersættet.

1. Løsn sidehåndtaget.

► **Fig.26:** 1. Sidehåndtag

2. Hold fast i roden af støvopsamleren, og træk den ud.

► **Fig.27:** 1. Støvopsamler

BEMÆRK: Hvis det er svært at fjerne støvopsamlersættet, skal du fjerne støvopsamlereens kløer én for én ved at dreje og trække i roden af støvopsamleren.

BEMÆRK: Hvis hættten falder af støvopsamleren, skal du montere den med den trykte side opad, så rillen på hættten passer i den indvendige kant af tilbehørsdelen.

► **Fig.28**

Krog

Ekstraudstyr

⚠FORSIGTIG: Tag altid batteriet ud, når du hænger maskinen på krogen.

⚠FORSIGTIG: Hæng aldrig maskinen på et højt sted eller på en potentielt ustabil overflade.

► **Fig.29:** 1. Rille 2. Krog 3. Skruer

Krogen er praktisk til midlertidig ophængning af maskinen. Den kan monteres i begge sider af maskinen. Krogen monteres ved at indsætte den i en rille i maskinhuset på en af siderne og derefter fastgøre den med en skrue. Den fjernes ved at løsne skruen og tage den ud.

Maskinbøjle

Ekstraudstyr

⚠FORSIGTIG: Brug ikke en beskadiget maskinbøjle og skrue. Før brugen skal du altid se efter skader, revner eller deformationer og sikre dig, at skruen er strammet.

⚠FORSIGTIG: Monter eller fjern maskinbøjlen på et stabilt bord eller en stabil overflade. Sørg for at kun at bruge den skrue, der blev leveret sammen med maskinbøjlen. Efter montering af maskinbøjlen skal du sikre dig, at maskinbøjlen er monteret forsvarligt ved hjælp af skruen.

⚠FORSIGTIG: Undlad at fjerne akkuen, når maskinen er hængt op. Maskinen kan falde ned, hvis skruen ikke er tilspændt.

Maskinbøjlen er beregnet til at forbinde tøjresnoren (sikkerhedslinien). Følg nedenstående fremgangsmåde for at montere maskinbøjlen på maskinen.

1. Tag akkuen ud af maskinen.

2. Monter maskinbøjlen fra bunden af maskinen som vist på figuren.

► **Fig.30**

3. Sæt fremspringet på maskinbøjlen ind i rillen på venstre side af maskinen.

► **Fig.31:** 1. Rille 2. Fremspring

BEMÆRK: Maskinbøjlen kan kun monteres i den retning, der er vist på figuren.

4. Stram skruen fast.

► **Fig.32:** 1. Skruer

ANVENDELSE

⚠FORSIGTIG: Brug altid sidehåndtaget (ekstra håndtag), og hold godt fast i maskinen i både sidehåndtaget og omskifterhåndtaget under brug.

⚠FORSIGTIG: Sørg altid for, at arbejdsemner er fastgjort før anvendelsen.

⚠FORSIGTIG: Undlad at trække maskinen ud med magt, selvom bittens sætter sig fast. Tab af kontrollen kan medføre personskade.

⚠FORSIGTIG: Systemet til støvopsamling er kun beregnet til boring i beton. Brug ikke systemet til støvopsamling til boring i metal eller lignende.

⚠FORSIGTIG: Når maskinen bruges sammen med systemet til støvopsamling, skal du sørge for at montere filteret på systemet til støvopsamling for at undgå at indånde støv.

⚠FORSIGTIG: Før du bruger systemet til støvopsamling, skal du kontrollere, at filteret ikke er beskadiget. Hvis du ikke gør dette, kan det medføre indånding af støv.

⚠FORSIGTIG: Systemet til støvopsamling indsamler det genererede støv med stor hastighed, men ikke alt støv kan opsamlles.

BEMÆRKNING: Brug ikke systemet til støvopsamling til boring med kerne eller mejsling.


BEMÆRKNING: Brug ikke systemet til støvopsamling til boring i våd beton, og brug ikke systemet i våde omgivelser. Undladelse af dette kan medføre fejlfunktion.

BEMÆRK: Hvis akkuen har lav temperatur, kan maskinen muligvis ikke opnå sin fulde kapacitet. Varm i så fald akkuen op ved at bruge maskinen uden belastning et stykke tid for at nå maskinens fulde kapacitet.

► Fig.33

Hammerboring

⚠FORSIGTIG: Maskinen/borebitten udsættes for kraftig og pludselig vridning på det tidspunkt, hvor der brydes igennem hullet, når hullet bliver tilstoppet med spåner og partikler, eller hvis forstærkningsrørene i betonen rammes. **Brug altid sidehåndtaget (ekstra håndtag), og hold godt fast i maskinen i både sidehåndtaget og omskifterhåndtaget under brug.** Hvis du ikke gør dette, kan det medføre tab af kontrollen og risiko for alvorlig personskade.


Indstil omskifterknappen til ændring af funktionsmåde til -symbolet.

Anbring borebitten på det ønskede sted, hvor hullet skal være, og tryk derefter afbryderknappen ind. Anvend ikke magt på maskinen. Et let tryk giver det bedste resultat. Hold maskinen i stilling, og sørg for at forhindre, at den glider væk fra hullet.

Udøve ikke et større tryk, når hullet bliver tilstoppet af spåner eller partikler. Kør i stedet maskinen i tomgang, og fjern derefter borebitten delvist fra hullet. Ved at gentage dette flere gange vil hullet blive rensset ud, og normal boring kan genoptages.

BEMÆRK: Der kan forekomme excentricitet i borebittens rotation, når maskinen betjenes uden belastning. Maskinen centrerer automatisk sig selv under brug. Dette har ikke betydning for præcisionen under boring.

Mejsling/afbankning/nedrivning

Indstil omskifterknappen til ændring af funktionsmåde til -symbolet.

Hold godt fast i maskinen med begge hænder. Tænd for maskinen, og tryk let på maskinen, så den ikke kommer ud af kontrol.

Effektiviteten forøges ikke ved at trykke meget hårdt på maskinen.

► Fig.34

Boring i træ eller metal

⚠FORSIGTIG: Hold godt fast i maskinen og udvis forsigtighed, når borebitten begynder at bryde igennem arbejdsstykket. Maskinen/borebitten udsættes for en kraftig påvirkning på det tidspunkt, hvor der brydes igennem hullet.

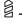
⚠FORSIGTIG: En borebit, der har sat sig fast, kan fjernes ved at man ganske enkelt sætter omløbsvælgeren til baglæns rotation for at bakke ud. Imidlertid kan maskinen pludselig bakke ud, hvis man ikke holder godt fast i den.

⚠FORSIGTIG: Fastgør altid arbejdsemner i en skruestik eller lignende udstyr til fastgørelse.

BEMÆRKNING: Brug aldrig "rotation med hamring", når borepatronen er monteret på maskinen. Borepatronen kan blive beskadiget.

Borepatronen vil desuden blive frigjort, når maskinen kører baglæns.

BEMÆRKNING: Et kraftigere tryk på maskinen vil ikke gøre boringen hurtigere. Faktisk vil et kraftigere tryk kun føre til skade på spidsen af borebitten, nedsætte maskinen ydelse og afkorte maskinens levetid.


Indstil omskifterknappen til ændring af funktionsmåde til -symbolet.

Monter patronadapteren på en nøglefri borepatron, hvor der kan monteres en skrue i størrelse 1/2"-20, og monter dem derefter på maskinen. Se "Isætning eller fjernelse af borebit" under monteringen.

► Fig.35: 1. Borepatronsæt 2. Patronadapter

Boring med diamantkerne

BEMÆRKNING: Hvis der bores med diamantkerne med indstillingen "rotation med hamring", kan diamantkernebitten blive beskadiget.

Når der bores med diamantkerne, skal skiftearmen altid indstilles til -positionen for at benytte funktionsmåden "kun rotation".

Afbankning af støv på filteret

Ekstraudstyr

⚠ FORSIGTIG: Drej ikke drejeknappen på støvbakken, mens støvbakken er fjernet fra systemet til støvsugning. Gør du det, kan du komme til at inhalere støvet.

⚠ FORSIGTIG: Sluk altid maskinen, mens du drejer drejeknappen på støvbakken. Hvis du drejer drejeknappen, mens maskinen kører, kan det medføre, at du mister kontrollen over maskinen.

Hvis du banker støvet af filteret i støvbakken, kan du holde støvsugeren effektiv og reducerer, hvor ofte du skal bortskaffe støvet. Drej på drejeknappen på støvbakken tre gange efter opsamling af hver 50.000 mm³ støv, eller når du føler, at støvsugerens ydelse er forringet.

BEMÆRK: 50.000 mm³ støv svarer til at bore 10 huller på ø10 mm og 65 mm dybde (14 huller på ø3/8" og 2" dybde).

► Fig.36: 1. Støvbakke 2. Drejeknap

Bortskaffelse af støv

Ekstraudstyr

⚠ FORSIGTIG: Sørg altid for at maskinen er slukket, og at akkuen er taget ud, før der udføres noget arbejde på maskinen.

⚠ FORSIGTIG: Sørg for at bære støvmaske, når du bortskaffer støv.

⚠ FORSIGTIG: Tøm støvbakken regelmæssigt, før den bliver fuld. Hvis du ikke gør dette, kan det reducere ydelsen af støvsugningen og medføre indånding af støv.

⚠ FORSIGTIG: Ydelsen af støvsugningen reduceres, hvis filteret i støvbakken bliver tilstopt. Udskift som tommelfingerregel filteret med et nyt efter cirka 200 støvtømninger. Hvis du ikke gør dette, kan det medføre indånding af støv.

1. Fjern støvbakken, idet der trykkes ned på håndtaget på støvbakken.

► Fig.37: 1. Håndtag

2. Åbn dækslet på støvbakken.

► Fig.38: 1. Dæksel

3. Bortskaf støvet, og rengør derefter filteret.

► Fig.39

BEMÆRKNING: Ved rengøringen af filteret må du ikke berøre filteret med en børste eller lignende eller blæse komprimeret luft på filteret. Dette kan beskadige filteret.

Udblæsningskolbe

Ekstraudstyr

Når hullet er boret, skal du bruge udblæsningskolben til at fjerne støv fra hullet.

► Fig.40

Brug af støvsamlersættet

Ekstraudstyr

Monter støvsamlersættet mod loftet under betjening af maskinen.

► Fig.41

BEMÆRKNING: Brug ikke støvsamlersættet, når du borer i metal eller lignende. Dette kan beskadige støvsamlersættet på grund af den varme, som fint metalstøv eller lignende frembringer.

BEMÆRKNING: Undlad at montere eller fjerne støvsamlersættet, mens borebiten er monteret på maskinen. Dette kan beskadige støvsamlersættet og forårsage lækage af støv.

Montering af tøjresnor (sikkerhedsline) på maskinbøjlen

⚠ Specifikke sikkerhedsadvarsler for brug på høje steder

Læs alle sikkerhedsadvarsler og instruktioner. Hvis alle advarsler og instruktioner ikke følges, kan det medføre alvorlig personskade.

1. Hold altid maskinen tøjret, når du arbejder "i højden". Den maksimale længde af tøjresnoren er 2 m.
2. Brug kun sammen med tøjresnore, der passer til denne maskintype og er normeret til mindst 4,5 kg.
3. Undlad at forankre maskinens tøjresnor til nogen del af din krop eller til bevægelige komponenter. Fastgør maskinens tøjresnor til en fast struktur, som kan modstå kraften af en maskine, der tabes.
4. Sørg for, at tøjresnoren er korrekt fastgjort i begge ender før brugen.
5. Inspicer maskinen og tøjresnoren før hver gang, den bruges, for beskadigelser og korrekt funktion (inklusive stof og sammenhæftning). Undlad brug, hvis den er beskadiget eller ikke fungerer korrekt.
6. Undlad at vikle tøjresnore omkring skarpe eller ru kanter eller at lade dem komme i kontakt med disse.
7. Fastgør den anden ende af tøjresnoren uden for arbejdsområdet, så en nedfaldende maskine fastholdes sikkert.
8. Fastgør tøjresnoren på en sådan måde, at maskinen vil bevæge sig væk fra operatøren, hvis den falder ned. Tabte maskiner vil svinge i tøjresnoren, hvilket kan medføre personskade eller tab af balancen.
9. Undlad brug i nærheden af dele i bevægelse eller maskiner, der kører. Hvis du ikke gør dette, kan det medføre risiko for knusning eller indvikling.
10. Undlad at bære maskinen ved at holde i monteringsenheden eller tøjresnoren.
11. Overfør kun maskinen mellem dine hænder, når du har korrekt balance.
12. Undlad at fastgøre tøjresnore til maskinen på en måde, der forhindrer kontakter eller afbryderlåsen (hvis de medfølger) i at fungere korrekt.

13. Undgå at blive viklet ind i tøjresnoren.
 14. Hold tøjresnoren væk fra maskinens boreområde.
 15. Brug karabinhager af flerfunktions- og skrueporttyperne. Brug ikke karabinhager med enkeltfunktions fjederklemmer.
 16. Hvis maskinen tages, skal den mærkes og tages ud af tjenesten og inspiceres af en Makita-fabrik eller et autoriseret servicecenter.
- Fig.42: 1. Maskinbøjle 2. Tøjresnor (sikkerhedslinje)

TRÅDLØS AKTIVERINGSFUNKTION

Ekstraudstyr

Hvad kan du foretage dig med den trådløse aktiveringsfunktion

Den trådløse aktiveringsfunktion muliggør ren og behagelig anvendelse. Hvis der slutes en understøttet støvsuger til maskinen, kan du lade støvsugeren køre automatisk, når kontakten på maskinen betjenes.

► Fig.43

Hvis du vil bruge den trådløse aktiveringsfunktion, skal du forberede følgende genstande:

- En trådløs enhed (ekstraudstyr)
- En støvsuger, der understøtter den trådløse aktiveringfunktion

Følgende er et overblik over indstilling af den trådløse aktiveringsfunktion. Se de enkelte afsnit for detaljerede procedurer.

1. Montering af en trådløs enhed
2. Maskinregistrering til støvsugeren
3. Start af den trådløse aktiveringsfunktion

Montering af en trådløs enhed

Ekstraudstyr

⚠ FORSIGTIG: Placer maskinen på en flad og stabil overflade, når den trådløse enhed monteres.

BEMÆRKNING: Fjern støv og snavs fra maskinen, før den trådløse enhed monteres. Støv eller snavs kan forårsage funktionsfejl, hvis det kommer ind i åbningen til den trådløse enhed.

BEMÆRKNING: For at forhindre fejlfunktion forårsaget af statisk elektricitet skal du berøre et statisk afledende materiale som f.eks. en metaldele på maskinen, før du tager den trådløse enhed op.

BEMÆRKNING: Ved montering af den trådløse enhed skal du altid sikre dig, at den trådløse enhed er indsat i den korrekte retning, og at låget er lukket helt.

1. Åbn låget på maskinen som vist på figuren.

► Fig.44: 1. Låg

2. Indsæt den trådløse enhed i åbningen, og luk derefter låget.

Ved indsættelse af den trådløse enhed skal fremspringene justeres i forhold til de forsænkede dele på åbningen.

► Fig.45: 1. Trådløs enhed 2. Fremspring 3. Låg 4. Forsænket del

Ved fjernelse af den trådløse enhed åbnes låget langsomt. Krogene bag på låget løfter den trådløse enhed, når du trækker låget op.

► Fig.46: 1. Trådløs enhed 2. Krog 3. Låg

Når den trådløse enhed er fjernet, skal den opbevares i den medfølgende æske eller i en beholder, der er fri for statisk elektricitet.

BEMÆRKNING: Brug altid krogene bag på låget ved fjernelse af den trådløse enhed. Hvis krogene ikke griber fat i den trådløse enhed, skal du lukke låget helt og åbne det langsomt igen.

Maskinregistrering til støvsugeren

BEMÆRK: Du skal bruge en Makita-støvsuger, der understøtter den trådløse aktiveringsfunktion, til maskinregistreringen.

BEMÆRK: Afslut monteringen af den trådløse enhed på maskinen, før maskinregistreringen startes.

BEMÆRK: Under maskinregistreringen må du ikke trykke på afbryderknappen eller tænde for hovedafbryderen på støvsugeren.

BEMÆRK: Se også i brugsanvisningen til støvsugeren.

Hvis du vil aktivere støvsugeren, når kontakten på maskinen betjenes, skal du først afslutte maskinregistreringen.

1. Sæt batterierne i støvsugeren og maskinen.
2. Sæt standby-kontakten på støvsugeren til "AUTO".

► Fig.47: 1. Standby-kontakt

3. Tryk på den trådløse aktiveringsknap på støvsugeren i 3 sekunder, indtil den trådløse aktiveringslampe blinker grønt. Tryk derefter på den trådløse aktiveringsknap på maskinen på samme måde.

► Fig.48: 1. Trådløs aktiveringsknap 2. Trådløs aktiveringslampe

Hvis støvsugeren og maskinen sammenkædes korrekt, lyser de trådløse aktiveringslamper grønt i 2 sekunder og begynder at blinke blåt.

BEMÆRK: De trådløse aktiveringslamper holder op med at blinke grønt efter 20 sekunder. Tryk på den trådløse aktiveringsknap på maskinen, når den trådløse aktiveringslampe på støvsugeren blinker. Hvis den trådløse aktiveringslampe ikke blinker grønt, skal du trykke kortvarigt på den trådløse aktiveringsknap og holde den nede igen.

BEMÆRK: Når der udføres to eller flere maskinregistreringer for én støvsuger, skal maskinregistreringerne udføres en for en.

Start af den trådløse aktiveringsfunktion

BEMÆRK: Afslut maskinregistreringen for støvsugeren før den trådløse aktivering.

BEMÆRK: Se også i brugsanvisningen til støvsugeren.

Når en maskine er registreret til støvsugeren, kører støvsugeren automatisk, når kontakten på maskinen betjenes.

1. Monter den trådløse enhed på maskinen.
2. Slut støvsugerens slange til maskinen.
► **Fig.49**
3. Sæt standby-kontakten på støvsugeren til "AUTO".
► **Fig.50:** 1. Standby-kontakt
4. Tryk kortvarigt på den trådløse aktiveringsknop på maskinen. Den trådløse aktiveringslampe blinker blåt.
► **Fig.51:** 1. Trådløs aktiveringsknop 2. Trådløs aktiveringslampe

5. Tryk på maskinens afbryderknop. Kontroller, om støvsugeren kører, når der trykkes på afbryderknappen.

Tryk på den trådløse aktiveringsknop på maskinen for at stoppe den trådløse aktivering af støvsugeren.

BEMÆRK: Den trådløse aktiveringslampe på maskinen holder op med at blinke blåt, hvis der ikke sker nogen betjening i 2 timer. Indstil i så fald standby-kontakten på støvsugeren til "AUTO", og tryk på den trådløse aktiveringsknop på maskinen igen.

BEMÆRK: Støvsugeren starter/stopper med en forsinkelse. Der er en forsinkelse, når støvsugeren registrerer en betjening af kontakten på maskinen.










BEMÆRK: Den trådløse enheds transmissionsafstand kan variere afhængigt af placeringen og de omgivende forhold.

BEMÆRK: Når to eller flere maskiner er registreret til én støvsuger, begynder støvsugeren muligvis at køre, selvom du ikke trykker på afbryderknappen, fordi en anden bruger anvender den trådløse aktiveringsfunktion.

Beskrivelse af den trådløse aktiveringslampes status

► **Fig.52:** 1. Trådløs aktiveringslampe

Den trådløse aktiveringslampe viser status for den trådløse aktiveringsfunktion. Se i tabellen nedenfor vedrørende betydningen af lampens status.

Status	Trådløs aktiveringslampe				Beskrivelse
	Farve	 Tændt	 Blinker	Varighed	
Standby	Blå			2 timer	Den trådløse aktivering af støvsugeren er tilgængelig. Lampen slukkes automatisk, hvis der ikke sker nogen betjening i 2 timer.
				Når maskinen kører.	Den trådløse aktivering af støvsugeren er tilgængelig, og maskinen kører.
Maskinregistrering	Grøn			20 sekunder	Klar til maskinregistrering. Venter på registrering fra støvsugeren.
				2 sekunder	Maskinregistreringen er fuldført. Den trådløse aktiveringslampe begynder at blinke blåt.
Annullerer maskinregistrering	Rød			20 sekunder	Klar til annullering af maskinregistrering. Venter på annullering fra støvsugeren.
				2 sekunder	Annulleringen af maskinregistreringen er fuldført. Den trådløse aktiveringslampe begynder at blinke blåt.
Andre	Rød			3 sekunder	Der er strøm til den trådløse enhed, og den trådløse aktiveringsfunktion starter.
		Slukket	-	-	Den trådløse aktivering af støvsugeren er stoppet.

Annullerer maskinregistrering for støvsugeren

Benyt følgende fremgangsmåde ved annullering af maskinregistreringen for støvsugeren.

1. Sæt batterierne i støvsugeren og maskinen.
2. Sæt standby-kontakten på støvsugeren til "AUTO".
► **Fig.53:** 1. Standby-kontakt
3. Tryk på den trådløse aktiveringsknop på støvsugeren i 6 sekunder. Den trådløse aktiveringslampe blinker grønt og bliver derefter rød. Tryk derefter på den trådløse aktiveringsknop på maskinen på samme måde.
► **Fig.54:** 1. Trådløs aktiveringsknop 2. Trådløs aktiveringslampe

Hvis annulleringen gennemføres korrekt, lyser de trådløse aktiveringslamper rødt i 2 sekunder og begynder at blinke blåt.

BEMÆRK: De trådløse aktiveringslamper holder op med at blinke rødt efter 20 sekunder. Tryk på den trådløse aktiveringsknop på maskinen, når den trådløse aktiveringslampe på støvsugeren blinker. Hvis den trådløse aktiveringslampe ikke blinker rødt, skal du trykke kortvarigt på den trådløse aktiveringsknop og holde den nede igen.

Fejlfinding i forbindelse med den trådløse aktiveringsfunktion

Udfør selv en inspektion, inden De anmoder om reparation. Hvis De opdager et problem, som ikke er forklaret i brugsanvisningen, må De ikke forsøge at adskille maskinen. Rådfør Dem i stedet med et autoriseret Makita Servicecenter, og brug altid originale Makita udskiftningsdele til reparationer.

Unormal tilstand	Sandsynlig årsag (fejl)	Afhjælpning
Den trådløse aktiveringslampe tændes/blinker ikke.	Den trådløse enhed er ikke monteret på maskinen. Den trådløse enhed er ikke monteret korrekt på maskinen.	Monter den trådløse enhed korrekt.
	Terminalen på den trådløse enhed og/eller åbningen er snavset.	Aftør forsigtigt støv og snavs på terminalen på den trådløse enhed, og rengør åbningen.
	Der er ikke trykket på den trådløse aktiveringsknap på maskinen.	Tryk kortvarigt på den trådløse aktiveringsknap på maskinen.
	Standby-kontakten på støvsugeren er ikke indstillet til "AUTO".	Sæt standby-kontakten på støvsugeren til "AUTO".
	Ingen strømforsyning	Tilfør strøm til maskinen og støvsugeren.
Kan ikke afslutte maskinregistrering/annullering af maskinregistrering korrekt.	Den trådløse enhed er ikke monteret på maskinen. Den trådløse enhed er ikke monteret korrekt på maskinen.	Monter den trådløse enhed korrekt.
	Terminalen på den trådløse enhed og/eller åbningen er snavset.	Aftør forsigtigt støv og snavs på terminalen på den trådløse enhed, og rengør åbningen.
	Standby-kontakten på støvsugeren er ikke indstillet til "AUTO".	Sæt standby-kontakten på støvsugeren til "AUTO".
	Ingen strømforsyning	Tilfør strøm til maskinen og støvsugeren.
	Forkert betjening	Tryk kortvarigt på den trådløse aktiveringsknap, og udfør procedurerne for maskinregistrering/annullering igen.
	Maskinen og støvsugeren er ikke i nærheden af hinanden (uden for transmissionsafstand).	Flyt maskinen og støvsugeren tættere på hinanden. Den maksimale transmissionsafstand er cirka 10 m, men kan variere afhængigt af forholdene.
	Før du fuldfører maskinregistrering/annullering, - der trykkes på afbryderknappen på maskinen, eller - der tændes på hovedafbryderen på støvsugeren.	Tryk kortvarigt på den trådløse aktiveringsknap, og udfør procedurerne for maskinregistrering/annullering igen.
	Maskinregistreringsprocedurerne på maskinen eller støvsugeren er ikke fuldført.	Gennemfør maskinregistreringsprocedurerne både på maskinen og støvsugeren på samme tid.
Støvsugeren kører ikke, når kontakten på maskinen betjenes.	Den trådløse enhed er ikke monteret på maskinen. Den trådløse enhed er ikke monteret korrekt på maskinen.	Monter den trådløse enhed korrekt.
	Terminalen på den trådløse enhed og/eller åbningen er snavset.	Aftør forsigtigt støv og snavs på terminalen på den trådløse enhed, og rengør åbningen.
	Der er ikke trykket på den trådløse aktiveringsknap på maskinen.	Tryk kortvarigt på den trådløse aktiveringsknap, og kontroller, at den trådløse aktiveringslampe blinker blåt.
	Standby-kontakten på støvsugeren er ikke indstillet til "AUTO".	Sæt standby-kontakten på støvsugeren til "AUTO".
	Der er registreret mere end 10 maskiner til støvsugeren.	Udfør maskinregistreringen igen. Hvis der er registreret mere end 10 maskiner til støvsugeren, bliver den maskine, der blev registreret tidligst, automatisk annulleret.
	Støvsugeren har slettet alle maskinregistreringer.	Udfør maskinregistreringen igen.
	Ingen strømforsyning	Tilfør strøm til maskinen og støvsugeren.
	Maskinen og støvsugeren er ikke i nærheden af hinanden (uden for transmissionsafstand).	Flyt maskinen og støvsugeren tættere på hinanden. Den maksimale transmissionsafstand er cirka 10 m, men kan variere afhængigt af forholdene.
	Radiointerferens fra andre apparater, der udsender højintense radiobølger.	Hold maskinen og støvsugeren væk fra apparater som f.eks. Wi-Fi-enheder og mikrobølgeovne.
	Støvsugeren kører, mens der ikke trykkes på maskinens afbryderknap.	Andre brugere anvender den trådløse aktivering af støvsugeren med deres maskiner. Deaktiver den trådløse aktiveringsknap på de andre maskiner, eller annuller maskinregistreringen af de andre maskiner.

VEDLIGEHOLDELSE

⚠FORSIGTIG: Vær altid sikker på, at værktøjet er slukket, og at akkuen er taget ud, inden De begynder at udføre inspektion eller vedligeholdelse.

BEMÆRKNING: Anvend aldrig benzin, rensebenzin, fortynder, alkohol og lignende. Det kan medføre misfarvning, deformation eller revner.

For at opretholde produktets SIKKERHED og PÅLIDELIGHED må reparation, vedligeholdelse eller justering kun udføres af et autoriseret Makita servicecenter eller fabrikksservicecenter med anvendelse af Makita reservedele.

Udskiftning af filteret på støvbakken

Ekstraudstyr

1. Fjern støvbakken, idet der trykkes ned på håndtaget på støvbakken.
► **Fig.55:** 1. Håndtag
2. Indsæt den flade skruetrækker i åbningerne på filterdækslet for at fjerne filterdækslet.
► **Fig.56:** 1. Flad skruetrækker 2. Filterdæksel
3. Fjern filteret fra filterhuset.
► **Fig.57:** 1. Filter 2. Filterhus
4. Sæt et nyt filter i filterhuset, og monter derefter filterdækslet.
5. Luk dækslet på støvbakken, og monter derefter støvbakken på systemet til støvopsamling.

Udskiftning af tætningshætten

Ekstraudstyr

Hvis tætningshætten er slidt op, forringes ydelsen af støvopsamlingen. Udskift den, hvis den er slidt op. Fjern tætningshætten, og monter derefter en ny med fremspringet vendt opad.

- **Fig.58:** 1. Fremspring 2. Tætningshætte

EKSTRAUDSTYR

⚠FORSIGTIG: Det følgende tilbehør og ekstraudstyr er anbefalet til brug med Deres Makita maskine, der er beskrevet i denne brugsanvisning. Anvendelse af andet tilbehør eller ekstraudstyr kan udgøre en risiko for personskade. Anvend kun tilbehør og ekstraudstyr til det beskrevne formål.

Hvis De behøver hjælp ved valg af tilbehør eller ønsker yderligere informationer, bedes De kontakte Deres lokale Makita servicecenter.

- Karbidforstærkede borebits (SDS-plus karbidforstærkede bits)
- Kernebit
- Spidshammer
- Diamantkernebit

- Koldmejsel
- Afbankningsmejsel
- Kanalmejsel
- Patronadapter
- Nøglefri borepatron
- Smørelse til bit
- Dybdemåler
- Udblæsningskolbe
- Støvopsamler
- Støvopsamlersæt
- System til støvopsamling
- Trådløs enhed
- Krog
- Maskinbøjle
- Original Makita-akku og oplader
- Beskyttelsesbriller
- Plastikbæretaske

BEMÆRK: Nogle ting på denne liste kan være inkluderet i værktøjspakken som standardtilbehør. Det kan være forskellige fra land til land.

ΠΡΟΔΙΑΓΡΑΦΕΣ

Μοντέλο:		DHR182
Ικανότητες	Τσιμέντο	18 mm
	Μύτη πυρήνα	35 mm
	Μύτη αδαμάντινου πυρήνα (ξηρού τύπου)	32 mm
	Ατσάλι	13 mm
	Ξύλο	24 mm
Ταχύτητα χωρίς φορτίο		0 - 1.350 min ⁻¹
Κρούσεις το λεπτό		0 - 5.000 min ⁻¹
Συνολικό μήκος		301 mm
Ονομαστική τάση		D.C. 18 V
Καθαρό βάρος		2,4 - 3,2 kg

Προαιρετικό εξάρτημα

Μοντέλο:		DX05
Απόδοση αναρρόφησης		250 l/min
Διαδρομή λειτουργίας		Μέχρι 90 mm
Κατάλληλη μύτη τρυπανιού		Μέχρι 160 mm
Καθαρό βάρος		0,9 kg

- Λόγω του συνεχιζόμενου προγράμματος έρευνας και ανάπτυξης, οι προδιαγραφές αυτές υπόκεινται σε αλλαγές χωρίς προειδοποίηση.
- Οι προδιαγραφές και η κασέτα μπαταριών μπορεί να διαφέρουν ανάλογα με τη χώρα.
- Το βάρος μπορεί να διαφέρει ανάλογα με τα προσαρτήματα, συμπεριλαμβάνοντας την κασέτα μπαταριών. Ο ελαφρύτερος και ο βαρύτερος συνδυασμός, σύμφωνα με τη διαδικασία ΕΡΤΑ 01/2014, παρουσιάζονται στον πίνακα.

Ισχύουσα κασέτα μπαταριών

BL1815N / BL1820 / BL1820B / BL1830 / BL1830B / BL1840 / BL1840B / BL1850 / BL1850B / BL1860B

- Ορισμένες από τις κασέτες μπαταριών που αναγράφονται παραπάνω ίσως να μην είναι διαθέσιμες, ανάλογα με την τοποθεσία κατοικίας σας.

⚠️ ΠΡΟΕΙΔΟΠΟΙΗΣΗ: Να χρησιμοποιείτε μόνο τις κασέτες μπαταριών που παρατίθενται ανωτέρω. Η χρήση οποιασδήποτε άλλης κασέτας μπαταριών μπορεί να προκαλέσει τραυματισμό ή/και πυρκαγιά.

Προβλεπόμενη χρήση

Το εργαλείο προορίζεται για την κρουστική διάτρηση και τη διάτρηση σε τούβλο, σκυροδέμα και πέτρα, καθώς και για καλέμισμα. Είναι επίσης κατάλληλο διάτρηση χωρίς κρούση σε ξύλο, μέταλλο, κεραμικό και πλαστικό.

Θορύβος

Το τυπικό Α επίπεδο καταμετρημένου θορύβου καθορίζεται σύμφωνα με το EN60745-2-6:

Μοντέλο DHR182

Στάθμη ηχητικής πίεσης (L_{pA}): 89 dB (A)
Στάθμη ηχητικής ισχύος (L_{WA}): 100 dB (A)
Αβεβαιοότητα (K): 3 dB (A)

Μοντέλο DHR182 με DX05

Στάθμη ηχητικής πίεσης (L_{pA}): 90 dB (A)
Στάθμη ηχητικής ισχύος (L_{WA}): 101 dB (A)
Αβεβαιοότητα (K): 3 dB (A)

ΠΑΡΑΤΗΡΗΣΗ: Η δηλωμένη τιμή(ές) εκπομπής θορύβου έχει μετρηθεί σύμφωνα με την πρότυπη μέθοδο δοκιμής και μπορεί να χρησιμοποιηθεί για τη σύγκριση ενός εργαλείου με κάποιο άλλο.

ΠΑΡΑΤΗΡΗΣΗ: Η δηλωμένη τιμή(ές) εκπομπής θορύβου μπορεί να χρησιμοποιηθεί και στην προκαταρκτική αξιολόγηση της έκθεσης.

⚠️ ΠΡΟΕΙΔΟΠΟΙΗΣΗ: Να φοράτε ωτοασπίδες.

⚠️ ΠΡΟΕΙΔΟΠΟΙΗΣΗ: Η εκπομπή θορύβου κατά τη χρήση του ηλεκτρικού εργαλείου σε πραγματικές συνθήκες μπορεί να διαφέρει από τη δηλωμένη τιμή(ές) ανάλογα με τους τρόπους χρήσης του εργαλείου, ιδιαίτερα το είδος του τεμαχίου εργασίας που υπόκειται επεξεργασία.

⚠️ ΠΡΟΕΙΔΟΠΟΙΗΣΗ: Φροντίστε να λάβετε τα κατάλληλα μέτρα προστασίας του χειριστή βάσει ενός υπολογισμού της έκθεσης σε πραγματικές συνθήκες χρήσης (λαμβάνοντας υπόψη όλες τις συνιστώσες του κύκλου λειτουργίας όπως τους χρόνους που το εργαλείο είναι εκτός λειτουργίας και όταν βρίσκεται σε αδρανή λειτουργία πέραν του χρόνου ενεργοποίησης).

Κραδασμός

Στον πίνακα που ακολουθεί φαίνεται η ολική τιμή κραδασμών (άθροισμα τρι-αξονικού διανύσματος) που καθορίζεται σύμφωνα με το ισχύον πρότυπο.

Είδος εργασίας	Εκπομπή κραδασμών	Αβεβαιότητα (Κ)	Ισχύον πρότυπο
Κρουστική διάτρηση σε σκυρόδεμα ($a_{h, HD}$)	11,0 m/s ²	1,5 m/s ²	EN60745-2-6
Κρουστική διάτρηση σε σκυρόδεμα με DX05 ($a_{h, HD}$)	11,0 m/s ²	1,5 m/s ²	EN60745-2-6
Λειτουργία καλεμίσματος με πλευρική λαβή ($a_{h, Cheq}$)	9,0 m/s ²	1,5 m/s ²	EN60745-2-6
Διάτρηση σε μέταλλο ($a_{h, D}$)	2,5 m/s ²	1,5 m/s ²	EN60745-2-1

ΠΑΡΑΤΗΡΗΣΗ: Η δηλωμένη τιμή(ές) συνολικών κραδασμών έχει μετρηθεί σύμφωνα με την πρότυπη μέθοδο δοκιμής και μπορεί να χρησιμοποιηθεί για τη σύγκριση ενός εργαλείου με κάποιο άλλο.

ΠΑΡΑΤΗΡΗΣΗ: Η δηλωμένη τιμή(ές) συνολικών κραδασμών μπορεί να χρησιμοποιηθεί και στην προκαταρκτική αξιολόγηση της έκθεσης.

▲ΠΡΟΕΙΔΟΠΟΙΗΣΗ: Η εκπομπή κραδασμών κατά τη χρήση του ηλεκτρικού εργαλείου σε πραγματικές συνθήκες μπορεί να διαφέρει από τη δηλωμένη τιμή(ές) εκπομπής ανάλογα με τους τρόπους χρήσης του εργαλείου, ιδιαίτερα το είδος του τεμαχίου εργασίας που υπόκειται επεξεργασία.

▲ΠΡΟΕΙΔΟΠΟΙΗΣΗ: Φροντίστε να λάβετε τα κατάλληλα μέτρα προστασίας του χειριστή βάσει ενός υπολογισμού της έκθεσης σε πραγματικές συνθήκες χρήσης (Λαμβάνοντας υπόψη όλες τις συνιστώσες του κύκλου λειτουργίας όπως χρόνους που το εργαλείο είναι εκτός λειτουργίας και όταν βρίσκεται σε αδρανή λειτουργία πέραν του χρόνου ενεργοποίησης).

Δήλωση συμμόρφωσης ΕΚ

Μόνο για χώρες της Ευρώπης

Η δήλωση συμμόρφωσης ΕΚ περιλαμβάνεται ως Παράρτημα Α στο παρόν εγχειρίδιο οδηγιών.

ΠΡΟΕΙΔΟΠΟΙΗΣΕΙΣ ΑΣΦΑΛΕΙΑΣ

Γενικές προειδοποιήσεις ασφαλείας για το ηλεκτρικό εργαλείο

▲ΠΡΟΕΙΔΟΠΟΙΗΣΗ: Διαβάστε όλες τις προειδοποιήσεις ασφαλείας, οδηγίες, εικονογραφησίες και προδιαγραφές που παρέχονται με αυτό το ηλεκτρικό εργαλείο. Η μη τήρηση όλων των οδηγιών που αναγράφονται κατωτέρω μπορεί να καταλήξει σε ηλεκτροπληξία, πυρκαγιά ή/και σοβαρό τραυματισμό.

Φυλάξτε όλες τις προειδοποιήσεις και τις οδηγίες για μελλοντική παραπομπή.

Στις προειδοποιήσεις, ο όρος «ηλεκτρικό εργαλείο» αναφέρεται σε ηλεκτρικό εργαλείο που τροφοδοτείται από την κύρια παροχή ηλεκτρικού ρεύματος (με ηλεκτρικό καλώδιο) ή σε ηλεκτρικό εργαλείο που τροφοδοτείται από μπαταρία (χωρίς ηλεκτρικό καλώδιο).

ΠΡΟΕΙΔΟΠΟΙΗΣΕΙΣ ΑΣΦΑΛΕΙΑΣ ΓΙΑ ΤΟ ΦΟΡΗΤΟ ΣΦΥΡΟΤΡΥΠΑΝΟ

1. **Φοράτε ωτοασπίδες.** Η έκθεση σε θόρυβο μπορεί να προκαλέσει απώλεια ακοής.
2. **Να χρησιμοποιείτε τις βοηθητικές λαβές, εάν παρέχονται με το εργαλείο.** Η απώλεια του ελέγχου μπορεί να προκαλέσει προσωπικό τραυματισμό.

3. **Να κρατάτε το ηλεκτρικό εργαλείο από τις μονωμένες επιφάνειες λαβής** όταν εκτελείτε εργασίες κατά τις οποίες το εξάρτημα κοπής μπορεί να έρθει σε επαφή με κρυμμένα καλώδια. Σε περίπτωση επαφής του εξαρτήματος κοπής με ηλεκτροφόρο καλώδιο, μπορεί τα εκτεθειμένα μεταλλικά εξαρτήματα του ηλεκτρικού εργαλείου να καταστούν τα ίδια ηλεκτροφόρα και να προκαλέσουν ηλεκτροπληξία στο χειριστή.
4. **Φοράτε σκληρό καπέλο (κράνος ασφαλείας), γυαλιά ασφαλείας και/ή προσωπίδα.** Τα κοινά γυαλιά οράσεως ή γυαλιά ΔΕΝ είναι γυαλιά ασφαλείας. Επίσης, συνιστάται ιδιαίτερος να φοράτε μάσκα προστασίας από τη σκόνη και γάντια με χοντρή επένδυση.
5. **Πριν από τη λειτουργία, βεβαιωθείτε ότι η μύτη έχει ασφαλίσει.**
6. **Σε κανονικές συνθήκες λειτουργίας, το εργαλείο είναι σχεδιασμένο να παράγει κραδασμούς.** Οι βίδες μπορεί να χαλαρώσουν εύκολα, προκαλώντας βλάβη ή ατύχημα. Ελέγξτε προσεκτικά το σφίξιμο των βιδών πριν από τη λειτουργία.
7. **Όταν κάνει κρύο ή αν δεν έχετε χρησιμοποιήσει το εργαλείο για μεγάλο χρονικό διάστημα, αφήστε το να ζεσταθεί για λίγο επιτρέποντάς του να λειτουργήσει χωρίς φορτίο.** Με αυτόν τον τρόπο βελτιώνεται η λίπανση. Αν δεν ζεσταθεί σωστά, η κρουστική λειτουργία είναι δύσκολη.
8. **Να βεβαιώνετε πάντοτε ότι στεκεστε σταθερά.** Όταν χρησιμοποιείτε το εργαλείο σε υψηλές τοποθεσίες, να βεβαιώνετε ότι δεν βρίσκεται κανένας από κάτω.
9. **Κρατήστε το εργαλείο σταθερά με τα δύο χέρια.**
10. **Διατηρείτε τα χέρια σας μακριά από κινούμενα μέρη.** Μην αφήνετε το εργαλείο σε λειτουργία.
11. **Το εργαλείο πρέπει να βρίσκεται σε λειτουργία μόνο όταν το κρατάτε.**
12. **Μην στρέψετε το εργαλείο στους παρειρσικομένους στο χώρο όταν το χρησιμοποιείτε.** Η μύτη μπορεί να εκτοξευτεί και να προκαλέσει σοβαρό τραυματισμό.

- Μην αγγίζετε τη μύτη, τμήματα κοντά στη μύτη ή το τεμάχιο εργασίας αμέσως μετά τη λειτουργία. Μπορεί να είναι εξαιρετικά ζεστά και να προκαληθεί έγκαυμα στο δέρμα σας.
- Μερικά υλικά περιέχουν χημικά που μπορεί να είναι τοξικά. Προσέχετε ώστε να αποφεύγετε την εισπνοή σκόνης και την επαφή με το δέρμα. Ακολουθείτε τα δεδομένα ασφαλείας υλικού που παρέχονται από τον προμηθευτή.
- Βεβαιώσετε πάντα ότι το εργαλείο είναι απενεργοποιημένο και ότι έχετε βγάλει την κασέτα μπαταριών και τη μύτη πριν δώσετε το εργαλείο σε άλλο άτομο.
- Οι μπαταρίες ιόντων λιθίου που περιέχονται υπόκεινται στις απαιτήσεις της νομοθεσίας για επικίνδυνα αγαθά. Για εμπορικές μεταφορές, για παράδειγμα από τρίτα μέρη, πρέπει να τηρούνται οι διαμεταφορές, οι ειδικές απαιτήσεις στη συσκευασία και η επισήμανση. Για προετοιμασία του στοιχείου που αποστέλλεται, είναι απαραίτητο να συμβουλευτείτε έναν ειδικό για επικίνδυνα υλικά. Επίσης, τηρήστε τους πιθανούς, πιο αναλυτικούς εθνικούς κανονισμούς. Καλύψτε με αυτοκόλλητη ταινία ή κρύψτε τις ανοικτές επαφές και συσκευάστε την μπαταρία με τρόπο που να μην μπορεί να μετακινείται μέσα στη συσκευασία.

ΦΥΛΑΞΤΕ ΤΙΣ ΟΔΗΓΙΕΣ ΑΥΤΕΣ.

⚠️ ΠΡΟΕΙΔΟΠΟΙΗΣΗ: ΜΗΝ επιτρέψετε το βαθμό άνεσης ή εξοικείωσης με το προϊόν (λόγω επανειλημμένης χρήσης) να αντικαταστήσει την αυστηρή τήρηση των κανόνων ασφαλείας του παρόντος εργαλείου. Η ΛΑΝΘΑΣΜΕΝΗ ΧΡΗΣΗ ή η αμέλεια να ακολουθήσετε τους κανόνες ασφαλείας που διατυπώνονται στο παρόν εγχειρίδιο οδηγιών μπορεί να προκαλέσει σοβαρό προσωπικό τραυματισμό.

Σημαντικές οδηγίες ασφαλείας για κασέτα μπαταριών

- Πριν χρησιμοποιήσετε την κασέτα μπαταριών, διαβάστε όλες τις οδηγίες και σημειώσεις προφύλαξης (1) στον φορτιστή μπαταριών, (2) στην μπαταρία και (3) στο προϊόν που χρησιμοποιεί την μπαταρία.
- Μην αποσυναρμολογήσετε την κασέτα μπαταριών.
- Εάν ο χρόνος λειτουργίας έχει γίνει υπερβολικά βραχύς, σταματήστε τη λειτουργία αμέσως. Αλλιώς, μπορεί να έχει ως αποτέλεσμα κίνδυνο υπερθέρμανσης, πιθανά εγκαύματα ή ακόμη και έκρηξη.
- Εάν ηλεκτρολύτης μπει στα μάτια σας, ξεπλύνετε τα με καθαρό νερό και ζητήστε ιατρική φροντίδα αμέσως. Αλλιώς, μπορεί να έχει ως αποτέλεσμα απώλεια της όρασης σας.
- Μη βραχυκυκλώνετε την κασέτα μπαταριών:
 - Μην αγγίζετε τους πόλους με οτιδήποτε αγώγιμο υλικό.
 - Αποφεύγετε να αποθηκεύετε την κασέτα μπαταριών μέσα σε ένα δοχείο μαζί με άλλα μεταλλικά αντικείμενα όπως καρφιά, νομίσματα, κλπ.
 - Μην εκθέτετε την κασέτα μπαταριών στο νερό ή στη βροχή.
 Ένα βραχυκύκλωμα μπαταρίας μπορεί να προκαλέσει μεγάλη ροή ρεύματος, υπερθέρμανση, πιθανά εγκαύματα ακόμη και σοβαρή βλάβη.
- Μην αποθηκεύετε το εργαλείο και την κασέτα μπαταριών σε τοποθεσίες όπου η θερμοκρασία μπορεί να φτάσει ή να ξεπεράσει τους 50°C.
- Μην καίτε την κασέτα μπαταριών ακόμη και εάν έχει σοβαρή ζημιά ή είναι εντελώς φθαρμένη. Η κασέτα μπαταριών μπορεί να εκραγεί στη φωτιά.
- Προσέχετε να μη ρίξετε κάτω ούτε να χτυπήσετε την μπαταρία.
- Μη χρησιμοποιείτε μπαταρία που έχει υποστεί ζημιά.

- Τηρήστε τους τοπικούς κανονισμούς που σχετίζονται με τη διάθεση της μπαταρίας.
- Χρησιμοποιήστε τις μπαταρίες μόνο με τα προϊόντα που καθορίζει η Makita. Αν τοποθετήσετε τις μπαταρίες σε μη συμβατά προϊόντα μπορεί να έχει ως αποτέλεσμα πυρκαγιά, υπερβολική θερμότητα, έκρηξη ή διαρροή ηλεκτρολύτη.

ΦΥΛΑΞΤΕ ΤΙΣ ΟΔΗΓΙΕΣ ΑΥΤΕΣ.

⚠️ ΠΡΟΣΟΧΗ: Να χρησιμοποιείτε μόνο γνήσιες μπαταρίες της Makita. Η χρήση μη γνήσιων μπαταριών Makita, ή μπαταριών που έχουν τροποποιηθεί, μπορεί να έχει ως αποτέλεσμα τη ρήξη της μπαταρίας, προκαλώντας πυρκαγιά, προσωπικό τραυματισμό και βλάβη. Επίσης, θα ακυρωθεί η εγγύηση της Makita για το εργαλείο και φορτιστή Makita.

Συμβουλές για τη διατήρηση της μέγιστης ζωής μπαταρίας

- Φορτίζετε την κασέτα μπαταριών πριν από την πλήρη αποφόρτισή της. Πάντοτε να σταματάτε τη λειτουργία του εργαλείου και να φορτίζετε την κασέτα μπαταριών όταν παρατηρείτε μειωμένη ισχύ εργαλείου.
- Ποτέ μην επαναφορτίζετε μια πλήρως φορτισμένη κασέτα μπαταριών. Η υπερφόρτιση μειώνει την ωφέλιμη ζωή της μπαταρίας.
- Να φορτίζετε την κασέτα μπαταριών σε θερμοκρασία δωματίου, δηλαδή στους 10°C έως 40°C. Αφήστε μια θερμή κασέτα μπαταριών να κρυώσει πριν την φορτίσετε.
- Να φορτίζετε την κασέτα μπαταριών εάν δεν τη χρησιμοποιείτε για μεγάλη χρονική περίοδο (περισσότερο από έξι μήνες).

Σημαντικές οδηγίες ασφαλείας για την ασύρματη μονάδα

- Μην αποσυναρμολογείτε ή παραβιάζετε την ασύρματη μονάδα.
- Διατηρείτε την ασύρματη μονάδα μακριά από μικρά παιδιά. Αν καταποθεί κατά λάθος, αναζητήστε αμέσως ιατρική βοήθεια.
- Να χρησιμοποιείτε την ασύρματη μονάδα μόνο με εργαλεία της Makita.
- Μην εκθέτετε την ασύρματη μονάδα στη βροχή ή σε υγρές συνθήκες.
- Μη χρησιμοποιείτε την ασύρματη μονάδα σε μέρη όπου η θερμοκρασία ξεπερνάει τους 50°C.

6. Μην θέτετε την ασύρματη μονάδα σε λειτουργία σε μέρη όπου υπάρχουν ιατρικά όργανα, όπως καρδιακοί βηματοδότες.
7. Μην θέτετε την ασύρματη μονάδα σε λειτουργία σε μέρη όπου υπάρχουν αυτοματοποιημένες διατάξεις. Αν τεθούν σε λειτουργία, οι αυτοματοποιημένες συσκευές μπορεί να εμφανίσουν δυσλειτουργία ή σφάλμα.
8. Μην θέσετε σε λειτουργία την ασύρματη μονάδα σε μέρη με υψηλή θερμοκρασία ή σε μέρη όπου μπορεί να παραχθεί στατικός ηλεκτρισμός ή ηλεκτρικός θόρυβος.
9. Η ασύρματη μονάδα μπορεί να παράγει ηλεκτρομαγνητικά πεδία (ΗΜΠ) αλλά δεν είναι επιβλαβή για τον χρήστη.
10. Η ασύρματη μονάδα είναι ένα όργανο ακριβείας. Προσέχετε να μη ρίξετε κάτω ή να χτυπήσετε την ασύρματη μονάδα.
11. Αποφύγετε να αγγίζετε τον ακροδέκτη της ασύρματης μονάδας με γυμνά χέρια ή μεταλλικά υλικά.
12. Αφαιρείτε πάντοτε την μπαταρία από το προϊόν όταν τοποθετείτε σε αυτό την ασύρματη μονάδα.
13. Όταν ανοίγετε το καπάκι της σχισμής, αποφύγετε μέρη όπου μπορεί να εισέλθει σκόνη και νερό μέσα στη σχισμή. Να διατηρείτε πάντα καθαρή την είσοδο της σχισμής.
14. Να φορτώνετε πάντα την ασύρματη μονάδα με τη σωστή κατεύθυνση.
15. Μην πατήσετε το κουμπί ασύρματης ενεργοποίησης στην ασύρματη μονάδα πολύ δυνατά ή/και μην πατήσετε το κουμπί με ένα αντικείμενο με αιχμηρό άκρο.
16. Κατά τη λειτουργία, να κλείνετε πάντα το καπάκι της σχισμής.
17. Μην αφαιρείτε την ασύρματη μονάδα από τη σχισμή ενώ παρέχεται ισχύς στο εργαλείο. Αν το κάνετε αυτό, μπορεί να προκληθεί δυσλειτουργία της ασύρματης μονάδας.
18. Μην αφαιρείτε το αυτοκόλλητο στην ασύρματη μονάδα.
19. Μην τοποθετείτε αυτοκόλλητα επάνω στην ασύρματη μονάδα.
20. Μην αφήνετε την ασύρματη μονάδα σε ένα μέρος όπου μπορεί να παραχθεί στατικός ηλεκτρισμός ή ηλεκτρικός θόρυβος.
21. Μην αφήνετε την ασύρματη μονάδα σε ένα μέρος που υπόκειται σε υψηλή θερμότητα, όπως ένα αυτοκίνητο στον ήλιο.
22. Μην αφήνετε την ασύρματη μονάδα σε ένα μέρος με πολλή σκόνη ή πούδρα ή σε ένα μέρος όπου μπορεί να παραχθεί διαβρωτικό αέριο.
23. Η απότομη αλλαγή της θερμοκρασίας μπορεί να υγραίνει την ασύρματη μονάδα. Μην χρησιμοποιείτε την ασύρματη μονάδα μέχρι να στεγνώσει εντελώς όλη η υγρασία.
24. Όταν καθαρίζετε την ασύρματη μονάδα, σκουπίστε απαλά με ένα στεγνό μαλακό πανί. Μην χρησιμοποιείτε βενζίνη, νέφτι, αγωγίμο γράσο ή παρόμοιες ουσίες.
25. Όταν αποθηκεύετε την ασύρματη μονάδα, να τη διατηρείτε μέσα στην παρεχόμενη θήκη ή μέσα σε δοχείο χωρίς στατικό ηλεκτρισμό.
26. Μην εισαγάγετε καμία συσκευή διαφορετική από την ασύρματη μονάδα Makita μέσα στη σχισμή στο εργαλείο.
27. Μην χρησιμοποιείτε το εργαλείο αν το καπάκι της σχισμής είναι κατεστραμμένο. Αν εισέλθει νερό, σκόνη και βρομιά μέσα στη σχισμή, μπορεί να προκληθεί δυσλειτουργία.
28. Μην τραβάτε ή/και μη συστρέψετε το καπάκι της σχισμής περισσότερο από ότι απαιτείται. Τοποθετήστε ξανά το καπάκι αν βγει από το εργαλείο.
29. Αντικαταστήστε ξανά το καπάκι της σχισμής αν χαθεί ή καταστραφεί.

ΦΥΛΑΞΕΤΕ ΑΥΤΕΣ ΤΙΣ ΟΔΗΓΙΕΣ.

ΠΕΡΙΓΡΑΦΗ ΛΕΙΤΟΥΡΓΙΑΣ

▲ΠΡΟΣΟΧΗ: Να φροντίζετε πάντα για την απενεργοποίηση του εργαλείου και την αφαίρεση της κασέτας μπαταρίας, πριν από οποιαδήποτε ρύθμιση ή έλεγχο της λειτουργίας του.

Τοποθέτηση ή αφαίρεση της κασέτας μπαταριών

▲ΠΡΟΣΟΧΗ: Να σβήνετε πάντα το εργαλείο πριν τοποθετήσετε ή αφαιρέσετε την κασέτα μπαταριών.

▲ΠΡΟΣΟΧΗ: Κρατήστε το εργαλείο και την κασέτα μπαταριών σταθερά κατά την τοποθέτηση ή αφαίρεση της κασέτας μπαταριών. Εάν δεν κρατάτε το εργαλείο και την κασέτα μπαταριών σταθερά μπορεί να γλιστρήσουν από τα χέρια σας και να προκληθεί βλάβη στο εργαλείο και την κασέτα μπαταριών και προσωπικός τραυματισμός.

► **Εικ. 1:** 1. Κόκκινη ένδειξη 2. Κουμπί 3. Κασέτα μπαταριών

Για να αφαιρέσετε την κασέτα μπαταριών, ολισθήστε την από το εργαλείο ενώ σύρετε το κουμπί στο μπροστινό μέρος της κασέτας.

Για να τοποθετήσετε την κασέτα μπαταριών, ευθυγραμμίστε τη γλώσσα στην κασέτα μπαταριών με την αύλακα στην υποδοχή και ολισθήστε τη στη θέση της. Να την τοποθετείτε πλήρως μέχρι να ασφαλίσει στη θέση της, γεγονός που υποδεικνύεται με ένα χαρακτηριστικό ήχο. Εάν μπορείτε να δείτε την κόκκινη ένδειξη στην επάνω πλευρά του κουμπιού, δεν έχει κλειδώσει τελείως.

▲ΠΡΟΣΟΧΗ: Να τοποθετείτε πάντα την κασέτα μπαταριών πλήρως μέχρι να μη βλέπετε την κόκκινη ένδειξη. Εάν δεν ασφαλίσει, μπορεί να πέσει από το εργαλείο τυχαία, προκαλώντας σωματική βλάβη σε εσάς ή κάποιον άλλο γύρω σας.

▲ΠΡΟΣΟΧΗ: Μην τοποθετείτε την κασέτα μπαταριών με βία. Εάν η κασέτα δεν ολισθαίνει με ευκολία, τότε δεν έχει τοποθετηθεί κατάλληλα.

Εμφάνιση υπολειπόμενης χωρητικότητας μπαταρίας

Μόνο για κασέτες μπαταρίας με την ενδεικτική λυχνία

► **Εικ.2:** 1. Ενδεικτικές λυχνίες 2. Κουμπί ελέγχου

Πίστετε το κουμπί ελέγχου στην κασέτα μπαταριών για να υποδείξετε την υπολειπόμενη χωρητικότητα μπαταρίας. Οι ενδεικτικές λυχνίες ανάβουν για λίγα δευτερόλεπτα.

Ενδεικτικές λυχνίες			Υπολειπόμενη χωρητικότητα
Αναμμένες	Σβηστές	Αναβοσβήνουν	
			75% έως 100%
			50% έως 75%
			25% έως 50%
			0% έως 25%
			Φορτίστε την μπαταρία.
			Μπορεί να πρόκυψε δυσλειτουργία στην μπαταρία.

ΠΑΡΑΤΗΡΗΣΗ: Ανάλογα με τις συνθήκες χρήσης και τη θερμοκρασία περιβάλλοντος, η ένδειξη μπορεί να διαφέρει λίγο από την πραγματική χωρητικότητα.

Σύστημα προστασίας εργαλείου/ μπαταρίας

Το εργαλείο είναι εξοπλισμένο με σύστημα προστασίας εργαλείου/μπαταρίας. Αυτό το σύστημα αποκόπτει αυτόματα την ισχύ προς το μοτέρ για να παραταθεί η διάρκεια λειτουργίας του εργαλείου και της μπαταρίας. Το εργαλείο σταματάει αυτόματα κατά τη διάρκεια της λειτουργίας εάν το εργαλείο ή η μπαταρία βρεθούν κάτω από τις παρακάτω συνθήκες:

Προστασία υπερφόρτωσης

Όταν η μπαταρία λειτουργεί με τρόπο ώστε να αναγκάζεται να καταναλώνει ασυνήθιστα υψηλό ρεύμα, το εργαλείο σταματάει αυτόματα χωρίς καμία ένδειξη. Σε αυτή την κατάσταση, σβήστε το εργαλείο και διακόψτε την εφαρμογή που προκαλεί την υπερφόρτωση του εργαλείου. Μετά, ενεργοποιήστε το εργαλείο για επανεκκίνηση.

Προστασία υπερθέρμανσης

Όταν το εργαλείο ή η μπαταρία υπερθερμαίνεται, το εργαλείο σταματάει αυτόματα. Σε αυτή την περίπτωση, αφήστε το εργαλείο και την μπαταρία να ψυχθούν πριν ενεργοποιήσετε ξανά το εργαλείο.

ΠΑΡΑΤΗΡΗΣΗ: Όταν το εργαλείο υπερθερμαίνεται, η λυχνία αναβοσβήνει.

Προστασία υπερβολικής αποφόρτισης

Όταν η φόρτιση μπαταρίας δεν είναι αρκετή, το εργαλείο σταματάει αυτόματα. Σε αυτή την περίπτωση, βγάλτε την μπαταρία από το εργαλείο και φορτίστε την μπαταρία.

Δράση διακόπτη

▲ΠΡΟΕΙΔΟΠΟΙΗΣΗ: Πριν βάλετε την κασέτα μπαταρίας μέσα στο εργαλείο, να ελέγχετε πάντα να δείτε αν η σκανδάλη διακόπτης ενεργοποιείται κανονικά και επιστρέφει στη θέση «OFF» όταν ελευθερώνεται.

► **Εικ.3:** 1. Σκανδάλη διακόπτης

Για να ξεκινήσετε το εργαλείο, απλά τραβήξτε τη σκανδάλη διακόπτη. Η ταχύτητα του εργαλείου αυξάνει αν αυξήσετε την πίεση στη σκανδάλη διακόπτη. Ελευθερώστε τη σκανδάλη διακόπτη για να σταματήσει.

Αναμμα της μπροστινής λάμπας

► **Εικ.4:** 1. Λάμπα

▲ΠΡΟΣΟΧΗ: Μην κοιτάζετε κατευθείαν μέσα στο φως ή στην πηγή φωτός.

Τραβήξτε τη σκανδάλη διακόπτη για να ενεργοποιήσετε τη λάμπα. Η λάμπα εξακολουθεί να είναι αναμμένη όσο τραβήξετε τη σκανδάλη διακόπτη. Η λάμπα σβήνει περίπου 10 δευτερόλεπτα αφού αφήσετε τη σκανδάλη διακόπτη.

ΠΑΡΑΤΗΡΗΣΗ: Χρησιμοποιήστε ένα στεγνό πανί για να σκουπίσετε τη σκόνη από το φακό της λάμπας. Προσέχετε να μη γρατζουνίσετε το φακό της λάμπας, επειδή μπορεί να μειωθεί η ένταση του φωτισμού.

Δράση διακόπτη αντιστροφής

► **Εικ.5:** 1. Μοχλός διακόπτης αντιστροφής

▲ΠΡΟΣΟΧΗ: Να ελέγχετε πάντα τη διεύθυνση περιστροφής πριν από τη λειτουργία.

▲ΠΡΟΣΟΧΗ: Να χρησιμοποιείτε τον διακόπτη αντιστροφής μόνο αφού το εργαλείο σταματήσει εντελώς. Η αλλαγή της διεύθυνσης περιστροφής πριν σταματήσει το εργαλείο μπορεί να προκαλέσει ζημιά στο εργαλείο.

▲ΠΡΟΣΟΧΗ: Όταν δεν χρησιμοποιείτε το εργαλείο, να βάζετε πάντα το μοχλό διακόπτη αντιστροφής στην ουδέτερη θέση.


Αυτό το εργαλείο διαθέτει έναν διακόπτη αντιστροφής για να αλλάξετε τη διεύθυνση περιστροφής. Πίστετε το μοχλό διακόπτη αντιστροφής από την πλευρά Α για δεξιόστροφη περιστροφή ή από την πλευρά Β για αριστερόστροφη περιστροφή. Όταν ο μοχλός διακόπτης αντιστροφής είναι στην ουδέτερη θέση, η σκανδάλη διακόπτης δεν μπορεί να τραβηχθεί.

Επιλογή τρόπου λειτουργίας δράσης

ΕΙΔΟΠΟΙΗΣΗ: Μη γυρίζετε το κουμπί αλλαγής τρόπου λειτουργίας ενώ λειτουργεί το εργαλείο. Θα υποστεί ζημιά το εργαλείο.


ΕΙΔΟΠΟΙΗΣΗ: Για να αποφευχθεί η γρήγορη φθορά του μηχανισμού αλλαγής τρόπου λειτουργίας, βεβαιωθείτε ότι το κουμπί αλλαγής τρόπου λειτουργίας βρίσκεται πάντοτε ακριβώς σε κάποια από τις τρεις θέσεις τρόπου λειτουργίας.

Περιστροφή με κρούση

Για τη διάτρηση σε σκυρόδεμα, τοιχοποιία κτλ., γυρίστε το κουμπί αλλαγής τρόπου λειτουργίας στο σύμβολο . Χρησιμοποιήστε μύτη με άκρο από καρβίδιο βολφραμίου (προαιρετικό εξάρτημα).


► **Εικ.6:** 1. Περιστροφή με κρούση 2. Κουμπί αλλαγής τρόπου λειτουργίας

Μόνο περιστροφή

Για τη διάτρηση σε ξύλο, μέταλλο ή πλαστικά υλικά, γυρίστε το κουμπί αλλαγής τρόπου λειτουργίας στο σύμβολο . Χρησιμοποιήστε μύτη με ελικοειδές τρυπάνι ή τρυπάνι για ξύλο.

► **Εικ.7:** 1. Μόνο περιστροφή

Μόνο κρούση

Για εργασίες κοπιδιάσματος, αφαίρεσης σκουριάς ή κατεδάφισης, γυρίστε το κουμπί αλλαγής τρόπου λειτουργίας στο σύμβολο . Χρησιμοποιήστε διατηρητική βελόνα, κοπίδι χαρακτών, κοπίδι αφαίρεσης σκουριάς κτλ.

► **Εικ.8:** 1. Μόνο κρούση

Ρύθμιση της θέσης ακροφυσίου του συστήματος συλλογής σκόνης

Προαιρετικό εξάρτημα

Σπρώξτε μέσα τον οδηγό ενώ σπρώχνετε προς τα πάνω το κουμπί ρύθμισης οδηγού και μετά αφήστε το κουμπί στην επιθυμητή θέση.

► **Εικ.9:** 1. Οδηγός 2. Κουμπί ρύθμισης οδηγού

ΠΑΡΑΤΗΡΗΣΗ: Πριν ρυθμίσετε τη θέση ακροφυσίου, σπρώξτε προς τα πάνω το κουμπί ρύθμισης οδηγού για να αφήσετε εντελώς το ακροφύσιο προς τα μπροστά.

Ρύθμιση του βάθους τρυπανίσματος του συστήματος συλλογής σκόνης

Προαιρετικό εξάρτημα

Σύρετε το κουμπί ρύθμισης βάθους στην επιθυμητή θέση ενώ το σπρώχνετε προς τα πάνω. Η απόσταση (Α) είναι το βάθος τρυπανίσματος.

► **Εικ.10:** 1. Κουμπί ρύθμισης βάθους

Περιοριστής ροπής

ΕΙΔΟΠΟΙΗΣΗ: Μόλις ενεργοποιηθεί ο περιοριστής ροπής, απενεργοποιήστε αμέσως το εργαλείο. Έτσι αποτρέπεται η πρόωρη φθορά του εργαλείου.

ΕΙΔΟΠΟΙΗΣΗ: Κάποιες μύτες, όπως τα ποτηροτρύπανα, που έχουν τάση να μαγκώνουν ή να σκαλώνουν εύκολα μέσα την οπή, δεν είναι κατάλληλες για αυτό το εργαλείο. Αυτό οφείλεται στο γεγονός ότι προκαλούν την πολύ συχνή ενεργοποίηση του περιοριστή ροπής.

Ο περιοριστής ροπής ενεργοποιείται όταν επιτευχθεί συγκεκριμένο επίπεδο ροπής. Το μωτέρ αποσυμπλέκεται από τον άξονα εξόδου. Όταν συμβεί αυτό, η μύτη σταματά να περιστρέφεται.

Ηλεκτρονική λειτουργία

Το εργαλείο είναι εξοπλισμένο με ηλεκτρονικές λειτουργίες για εύκολη λειτουργία.

- Έλεγχος σταθερής ταχύτητας
Η λειτουργία ελέγχου ταχύτητας παρέχει σταθερή ταχύτητα περιστροφής, ανεξάρτητα από τις συνθήκες φόρτου.

ΣΥΝΑΡΜΟΛΟΓΗΣΗ

▲ΠΡΟΣΟΧΗ: Να βεβαιώνετε πάντα ότι το εργαλείο είναι σβηστό και η κασέτα μπαταρίας έχει αφαιρεθεί πριν εκτελέσετε κάποια εργασία στο εργαλείο.

Πλευρική λαβή (βοηθητική χειρολαβή)

▲ΠΡΟΣΟΧΗ: Χρησιμοποιείτε πάντοτε την πλευρική λαβή, έτσι ώστε να διασφαλίζεται η ασφαλής λειτουργία.

▲ΠΡΟΣΟΧΗ: Μετά την τοποθέτηση ή τη ρύθμιση της πλευρικής λαβής, βεβαιωθείτε ότι η πλευρική λαβή έχει ασφαλίσει σταθερά.

Τοποθετήστε την πλευρική λαβή με τρόπο ώστε οι αυλακώσεις στη λαβή να εφαρμόζουν στις προεξοχές στον κύλινδρο του εργαλείου. Περιστρέψτε τη λαβή δεξιόστροφα για να την ασφαλίσετε. Η λαβή μπορεί να σταθεροποιηθεί σε μια επιθυμητή γωνία.

► **Εικ.11:** 1. Πλευρική λαβή

Γράσο

Επαλείψτε από πριν το άκρο στελέχους της μύτης τρυπανιού με μια μικρή ποσότητα γράσου (περίπου 0,5 - 1 g).

Η λίπανση του σφιγκτήρα εξασφαλίζει ομαλή λειτουργία και μεγαλύτερη διάρκεια ζωής.

Τοποθέτηση ή αφαίρεση μύτης τρυπανιού

Καθαρίστε το άκρο στελέχους της μύτης τρυπανιού και βάλτε γράσο πριν τοποθετήσετε τη μύτη τρυπανιού.

► **Εικ.12:** 1. Άκρο στελέχους 2. Γράσο

Τοποθετήστε τη μύτη τρυπανιού στο εργαλείο. Περιστρέψτε τη μύτη τρυπανιού και ωθήστε την προς τα μέσα μέχρι να ασφαλίσει. Μετά την τοποθέτηση της μύτης τρυπανιού, να βεβαιώνετε πάντα ότι η μύτη τρυπανιού έχει ασφαλίσει τραβώντας την προς τα έξω.

► **Εικ.13:** 1. Μύτη τρυπανιού

Για να αφαιρέσετε τη μύτη τρυπανιού, τραβήξτε το κάλυμμα σφικτήρα εντελώς προς τα κάτω και μετά τραβήξτε τη μύτη τρυπανιού προς τα έξω.

► **Εικ.14:** 1. Μύτη τρυπανιού 2. Κάλυμμα σφικτήρα

Γωνία καλεμιού (κατά το κοπιδίασμα, την αφαίρεση σκουριάς ή την κατεδάφιση)

Το καλέμι μπορεί να ασφαλίσει στην επιθυμητή γωνία. Για να αλλάξετε τη γωνία του καλεμιού, γυρίστε το κουμπί αλλαγής τρόπου λειτουργίας στο σύμβολο O. Στρέψτε το καλέμι στην επιθυμητή γωνία.

► **Εικ.15:** 1. Κουμπί αλλαγής τρόπου λειτουργίας

Γυρίστε το κουμπί αλλαγής τρόπου λειτουργίας στο σύμβολο T. Στη συνέχεια, βεβαιωθείτε ότι το καλέμι έχει ασφαλίσει σταθερά περιστρέφοντάς το απαλά.

Ρυθμιστής βάθους

Ο ρυθμιστής βάθους διευκολύνει τη διάνοιξη οπών ομοιόμορφου βάθους. Χαλαρώστε την πλευρική λαβή και τοποθετήστε τον ρυθμιστή βάθους στην οπή στην πλευρική λαβή. Ρυθμίστε τον ρυθμιστή βάθους στο επιθυμητό βάθος και σφίξτε καλά την πλευρική λαβή.

► **Εικ.16:** 1. Οπή 2. Ρυθμιστής βάθους

ΠΑΡΑΤΗΡΗΣΗ: Βεβαιωθείτε ότι ο ρυθμιστής βάθους δεν αγγίζει το κυρίως σώμα του εργαλείου όταν το συνδέετε.

Τοποθέτηση ή αφαίρεση του συστήματος συλλογής σκόνης

Προαιρετικό εξάρτημα

Για να αφαιρέσετε το σύστημα συλλογής σκόνης, τραβήξτε το εργαλείο ενώ πατάτε το κουμπί απασφάλισης. Για να το τοποθετήσετε, εισαγάγετε το εργαλείο στο σύστημα συλλογής σκόνης μέχρι τέρμα μέχρι να ασφαλίσει στη θέση του, γεγονός που υποδεικνύεται με ένα χαρακτηριστικό ήχο ασφάλισης.

► **Εικ.17:** 1. Κουμπί απασφάλισης

Κάλυμμα σκόνης

Προαιρετικό εξάρτημα

Χρησιμοποιήστε το κάλυμμα σκόνης για να αποτρέψετε την πτώση της σκόνης πάνω στο εργαλείο και στον εαυτό σας όταν εκτελείτε εργασίες διάτρησης σε κάποιο σημείο πάνω από το κεφάλι σας. Προσαρμόστε το κάλυμμα σκόνης στη μύτη, όπως απεικονίζεται στην εικόνα. Ακολουθεί πίνακας με τα μεγέθη των μυτών στις οποίες μπορείτε να προσαρμόσετε το κάλυμμα σκόνης.

Μοντέλο	Διάμετρος μύτης
Κάλυμμα σκόνης 5	6 mm - 14,5 mm
Κάλυμμα σκόνης 9	12 mm - 16 mm

► **Εικ.18:** 1. Κάλυμμα σκόνης

Σετ καλύμματος σκόνης

Προαιρετικό εξάρτημα

Εγκατάσταση του σετ καλύμματος σκόνης

ΕΙΔΟΠΟΙΗΣΗ: Αν αγοράσετε το σετ καλύμματος σκόνης ως προαιρετικό αξεσουάρ, η τυπική πλευρική λαβή δεν μπορεί να χρησιμοποιηθεί με το σετ καλύμματος σκόνης που τοποθετείται στο εργαλείο. Όταν το σετ καλύμματος σκόνης είναι τοποθετημένο στο εργαλείο, αφαιρέστε τη λαβή από την τυπική πλευρική λαβή και μετά συνδέστε τη στο προαιρετικό σετ βάσης λαβής.

► **Εικ.19:** 1. Μπουλόνι 2. Λαβή 3. Προαιρετικό σετ βάσης λαβής

ΕΙΔΟΠΟΙΗΣΗ: Μη χρησιμοποιείτε το σετ καλύμματος σκόνης για το τρυπάνισμα σε μέταλλο ή παρόμοιο υλικό. Μπορεί να προκαλέσει ζημιά στο σετ καλύμματος σκόνης λόγω της θερμότητας που παράγεται από τη λεπτή μεταλλική σκόνη ή παρόμοιο. Μην τοποθετείτε και μην αφαιρείτε το σετ καλύμματος σκόνης με τη μύτη τρυπανιού τοποθετημένη στο εργαλείο. Μπορεί να προκαλέσει ζημιά στο σετ καλύμματος σκόνης και να προκαλέσει διαρροή σκόνης.

Πριν τοποθετήσετε το σετ καλύμματος σκόνης, αφαιρέστε τη μύτη από το εργαλείο, αν είναι τοποθετημένη.

1. Τοποθετήστε τον αποστάτη με τρόπο ώστε οι αυλακώσεις στον αποστάτη να εφαρμόζουν στις προεξοχές στον κύλινδρο του εργαλείου ενώ τον διαπλάτυνετε. Προσέχετε ώστε να μη βγει το ελατήριο από τη σχισμή του αποστάτη.

► **Εικ.20:** 1. Αποστάτης 2. Ελατήριο

► **Εικ.21**

2. Τοποθετήστε την πλευρική λαβή (το προαιρετικό σετ βάσης λαβής και η λαβή έχουν αφαιρεθεί από την τυπική πλευρική λαβή) με τρόπο ώστε η αυλάκωση στη λαβή να εφαρμόξει στην προεξοχή στον αποστάτη. Περιστρέψτε τη λαβή δεξιόστροφα για να την ασφαλίσετε.

► **Εικ.22:** 1. Πλευρική λαβή

3. Τοποθετήστε το σετ καλύμματος σκόνης με τρόπο ώστε τα κλιπ του καλύμματος σκόνης να εφαρμόζουν στις σχισμές στον αποστάτη.

► **Εικ.23:** 1. Κάλυμμα σκόνης 2. Κλιπ

ΠΑΡΑΤΗΡΗΣΗ: Αν συνδέσετε ηλεκτρική σκούπα στο σετ καλύμματος σκόνης, αφαιρέστε το καπάκι σκόνης πριν την συνδέσετε.

► **Εικ.24:** 1. Καπάκι σκόνης

Αφαίρεση της μύτης τρυπανιού

Για να αφαιρέσετε τη μύτη τρυπανιού, τραβήξτε το κάλυμμα σφικτήρα εντελώς προς τα κάτω και μετά τραβήξτε τη μύτη τρυπανιού προς τα έξω.

► **Εικ.25:** 1. Μύτη 2. Κάλυμμα σφικτήρα

Αφαίρεση του σετ καλύμματος σκόνης

Για να αφαιρέσετε το σετ καλύμματος σκόνης, ακολουθήστε τα παρακάτω βήματα.

1. Χαλαρώστε την πλάγια λαβή.
▶ **Εικ.26:** 1. Πλάγια λαβή
2. Κρατήστε τη βάση του καλύμματος σκόνης και τραβήξτε το προς τα έξω.
▶ **Εικ.27:** 1. Κάλυμμα σκόνης

ΠΑΡΑΤΗΡΗΣΗ: Αν είναι δύσκολο να αφαιρέσετε το σετ καλύμματος σκόνης, αφαιρέστε τα κλιπ του καλύμματος σκόνης ένα-ένα αιωρώντας και τραβώντας τη βάση του καλύμματος σκόνης.

ΠΑΡΑΤΗΡΗΣΗ: Αν το καπάκι βγει από το κάλυμμα σκόνης, συνδέστε το με την εκτυπωμένη πλευρά στραμμένη ώστε η αυλάκωση στο καπάκι να εφαρμόζει στην εσωτερική περιφέρεια του εξαρτήματος.

▶ **Εικ.28**

Γάντζος

Προαιρετικό εξάρτημα

▲ **ΠΡΟΣΟΧΗ:** Να αφαιρείτε πάντα την μπαταρία όταν κρεμάτε το εργαλείο με το γάντζο.

▲ **ΠΡΟΣΟΧΗ:** Ποτέ μην κρεμάτε το εργαλείο σε υψηλές τοποθεσίες ή σε δυνητικά ασταθείς επιφάνειες.

▶ **Εικ.29:** 1. Αυλάκωση 2. Γάντζος 3. Βίδα

Ο γάντζος είναι βολικός για το προσωρινό κρέμασμα του εργαλείου. Μπορεί να τοποθετηθεί σε οποιαδήποτε πλευρά του εργαλείου.

Για να τοποθετήσετε το γάντζο, βάλτε τον σε μια αυλάκωση στο περίβλημα του εργαλείου σε οποιαδήποτε πλευρά και μετά ασφαλίστε τον με μια βίδα. Για να τον αφαιρέσετε, χαλαρώστε τη βίδα και μετά αφαιρέστε τον.

Κρεμάστρα εργαλείου

Προαιρετικό εξάρτημα

▲ **ΠΡΟΣΟΧΗ:** Μη χρησιμοποιείτε την κρεμάστρα εργαλείου και τη βίδα αν έχουν υποστεί ζημία. Πριν από τη χρήση, να ελέγχετε πάντα για ζημιές, ρωγμές ή παραμορφώσεις, και να βεβαιώνετε ότι η βίδα είναι σφιγμένη.

▲ **ΠΡΟΣΟΧΗ:** Να τοποθετείτε ή να αφαιρείτε την κρεμάστρα εργαλείου επάνω σε ένα σταθερό τραπέζι ή επιφάνεια. Φροντίστε να χρησιμοποιήσετε μόνο τη βίδα που παρέχεται με την κρεμάστρα εργαλείου. Μετά την τοποθέτηση στην κρεμάστρα εργαλείου, βεβαιωθείτε ότι η κρεμάστρα εργαλείου έχει τοποθετηθεί καλά με τη βίδα.

▲ **ΠΡΟΣΟΧΗ:** Μην αφαιρείτε την κασέτα μπαταριών ενώ το εργαλείο είναι κρεμασμένο. Το εργαλείο μπορεί να πέσει αν η βίδα δεν είναι σφιγμένη.

Η κρεμάστρα εργαλείου προορίζεται για σύνδεση με τον αναδότη (ιμάντας πρόσδεσης). Για την τοποθέτηση της κρεμάστρας εργαλείου στο εργαλείο, ακολουθήστε τα παρακάτω βήματα.

1. Αφαιρέστε την κασέτα μπαταριών από το εργαλείο.
2. Συνδέστε την κρεμάστρα εργαλείου από το κάτω μέρος του εργαλείου όπως απεικονίζεται στην εικόνα.
▶ **Εικ.30**
3. Εισαγάγετε την προεξοχή της κρεμάστρας εργαλείου στην εγκοπή στην αριστερή πλευρά του εργαλείου.
▶ **Εικ.31:** 1. Εγκοπή 2. Προεξοχή

ΠΑΡΑΤΗΡΗΣΗ: Η κρεμάστρα εργαλείου μπορεί να τοποθετηθεί μόνο στην κατεύθυνση που απεικονίζεται στην εικόνα.

4. Σφίξτε καλά τη βίδα.
▶ **Εικ.32:** 1. Βίδα

ΛΕΙΤΟΥΡΓΙΑ

▲ **ΠΡΟΣΟΧΗ:** Να χρησιμοποιείτε πάντα την πλάγια λαβή (βοηθητική λαβή) και να κρατάτε σταθερά το εργαλείο από την πλάγια λαβή και τη λαβή διακόπτη κατά την εκτέλεση των εργασιών.

▲ **ΠΡΟΣΟΧΗ:** Πριν από τη λειτουργία, βεβαιώνετε πάντοτε ότι το τεμάχιο εργασίας έχει ασφαλίσει.

▲ **ΠΡΟΣΟΧΗ:** Μην τραβάτε το εργαλείο με δύναμη προς τα έξω, ακόμα και αν κολλήσει η μύτη. Η απώλεια ελέγχου ενδέχεται να προκαλέσει τραυματισμό.

▲ **ΠΡΟΣΟΧΗ:** Το σύστημα συλλογής σκόνης προορίζεται μόνο για τρυπάνισμα σε τσιμέντο. Μη χρησιμοποιείτε το σύστημα συλλογής σκόνης για τρυπάνισμα σε μέταλλο ή ξύλο.

▲ **ΠΡΟΣΟΧΗ:** Όταν χρησιμοποιείτε το εργαλείο με το σύστημα συλλογής σκόνης, βεβαιωθείτε να συνδέσετε το φίλτρο στο σύστημα συλλογής σκόνης για να αποφύγετε την εισπνοή σκόνης.

▲ **ΠΡΟΣΟΧΗ:** Πριν χρησιμοποιείτε το σύστημα συλλογής σκόνης, ελέγξτε ότι το φίλτρο δεν είναι κατεστραμμένο. Αν δεν τηρήσετε αυτή την οδηγία, μπορεί να προκληθεί εισπνοή της σκόνης.

▲ **ΠΡΟΣΟΧΗ:** Το σύστημα συλλογής σκόνης συλλέγει τη σκόνη που παράγεται σε σημαντικό ποσοστό, αλλά δεν είναι δυνατό να γίνει συλλογή όλης της σκόνης.

ΕΙΔΟΠΟΙΗΣΗ: Μη χρησιμοποιείτε το σύστημα συλλογής σκόνης για πυρηνοληψία ή σμίλευμα.

ΕΙΔΟΠΟΙΗΣΗ: Μη χρησιμοποιείτε το σύστημα συλλογής σκόνης για τρυπάνισμα σε υγρό τσιμέντο και μη χρησιμοποιείτε αυτό το σύστημα σε υγρό περιβάλλον. Αν δεν τηρήσετε αυτή την οδηγία, μπορεί να προκληθεί δυσλειτουργία.

ΠΑΡΑΤΗΡΗΣΗ: Αν η κασέτα μπαταρίας βρίσκεται σε χαμηλή θερμοκρασία, η ικανότητα του εργαλείου μπορεί να μην επιτευχθεί πλήρως. Σε αυτή την περίπτωση, ζεστάνετε την κασέτα μπαταρίας χρησιμοποιώντας το εργαλείο χωρίς φορτίο για λίγη ώρα, για να επιτευχθεί πλήρως η ικανότητα του εργαλείου.

► **Εικ.33**

Λειτουργία κρουστικού τρυπανιού

ΠΡΟΣΟΧΗ: Το εργαλείο/μύτη τρυπανιού υφίσταται ισχυρή και ξαφνική περιστροφική δύναμη τη στιγμή που διέρχεται από την οπή, όταν η οπή παρουσιάζει έμφραξη με θραύσματα και σωματίδια ή όταν συναντήσει βέργες ενίσχυσης πακτωμένες στο σκυροδέμα. **Να χρησιμοποιείτε πάντα την πλάγια λαβή (βοηθητική λαβή) και να κρατάτε σταθερά το εργαλείο από την πλάγια λαβή και τη λαβή διακόπτη κατά την εκτέλεση των εργασιών.** Η μη συμμόρφωση μπορεί να έχει ως αποτέλεσμα την απώλεια ελέγχου του εργαλείου και την ενδεχόμενη πρόκληση σοβαρού τραυματισμού.

Ρυθμίστε το κουμπί αλλαγής τρόπου λειτουργίας στο σύμβολο .

Τοποθετήστε τη μύτη στο επιθυμητό σημείο για διάνοιξη της οπής και μετά τραβήξτε τη σκανδάλη διακόπτη. Μην ασκείτε δύναμη στο εργαλείο. Η μικρή πίεση έχει ως αποτέλεσμα βέλτιστα αποτελέσματα. Κρατήστε το εργαλείο στη θέση του και εμποδίστε το να γλιστρήσει από την οπή.

Μην ασκείτε μεγαλύτερη πίεση, όταν η οπή βουλώσει με θραύσματα ή σωματίδια. Αντ' αυτού, θέστε το εργαλείο στη λειτουργία ρελαντί και μετά τραβήξτε ελαφρώς τη μύτη έξω από την οπή. Αν επαναλάβετε το ίδιο αρκετές φορές, η οπή καθαρίζεται από τα θραύσματα και μπορείτε να συνεχίσετε την εργασία διάτρησης.

ΠΑΡΑΤΗΡΗΣΗ: Όταν χρησιμοποιείτε το εργαλείο χωρίς φορτίο, μπορεί να παρουσιαστεί σφάλμα ομοκεντρότητας στην περιστροφή της μύτης. Το εργαλείο αυτοκεντράται αυτόματα κατά τη διάρκεια της λειτουργίας. Αυτό δεν επηρεάζει την ακρίβεια της διάτρησης.

Κοπή/αφαίρεση σκουριάς/κατεδάφιση

Ρυθμίστε το κουμπί αλλαγής τρόπου λειτουργίας στο σύμβολο .

Κρατήστε σταθερά το εργαλείο με τα δύο χέρια. Ενεργοποιήστε το εργαλείο και ασκήστε μικρή πίεση στο εργαλείο, έτσι ώστε να μην αναπηδήσει ανεξέλεγκτα.

Αν πιέσετε το εργαλείο πολύ δυνατά, δεν αυξάνει η αποτελεσματικότητά του.

► **Εικ.34**

Διάτρηση σε ξύλο ή μέταλλο

ΠΡΟΣΟΧΗ: Κρατήστε σταθερά το εργαλείο και προσέχετε ιδιαίτερα τη στιγμή που η μύτη τρυπανιού διέρχεται από το άλλο άκρο της οπής. Ασκείται τεράστια δύναμη στο εργαλείο/μύτη τρυπανιού τη στιγμή που διαπερνάει η οπή.

ΠΡΟΣΟΧΗ: Μπορείτε να αφαιρέσετε μια μπλοκαρισμένη μύτη τρυπανιού με απλή ρύθμιση του διακόπτη αντιστροφής στη θέση αντίστροφης περιστροφής, ώστε η μύτη να οπισθοχωρήσει. Ωστόσο, το εργαλείο μπορεί να οπισθοχωρήσει έξω από την οπή απότομα, αν δεν το κρατάτε σταθερά.

ΠΡΟΣΟΧΗ: Να ασφαρίζετε πάντα τα τεμάχια εργασίας σε μέγερνη ή παρόμοια διάταξη συγκράτησης.

ΕΙΔΟΠΟΙΗΣΗ: Μη χρησιμοποιήσετε ποτέ την «περιστροφή με κρούση» όταν στο εργαλείο είναι τοποθετημένος ο σφικκτήρας του τρυπανιού. Μπορεί να υποστεί ζημιά ο σφικκτήρας του τρυπανιού.

Επίσης, ο σφικκτήρας του τρυπανιού θα βγει κατά την αναστροφή της κίνησης του εργαλείου.

ΕΙΔΟΠΟΙΗΣΗ: Η υπερβολική πίεση στο εργαλείο δεν επιταχύνει τη διάτρηση. Στην πραγματικότητα, αυτή η υπερβολική πίεση προκαλεί ζημιά στο άκρο της μύτης τρυπανιού, μείωση της απόδοσης όπως και της διάρκειας ζωής του εργαλείου.


Ρυθμίστε το κουμπί αλλαγής του τρόπου λειτουργίας στο σύμβολο .

Συνδέστε τον προσαρμογέα σφικκτρά με σφικκτρά τρυπανιού χωρίς κλειδί στο οποίο μπορεί να τοποθετηθεί βίδα μεγέθους 1/2"-20 και μετά τοποθετήστε τους στο εργαλείο. Κατά την τοποθέτησή του, ανατρέξτε στην παράγραφο «Τοποθέτηση ή αφαίρεση μύτης τρυπανιού».

► **Εικ.35:** 1. Συγκρότημα σφικκτρά τρυπανιού
2. Προσαρμογέας σφικκτρά

Διάτρηση με αδαμάντινο πυρήνα

ΕΙΔΟΠΟΙΗΣΗ: Κατά την εκτέλεση εργασιών διάτρησης με αδαμάντινο πυρήνα σε συνδυασμό με την «περιστροφή με κρούση», μπορεί να υποστεί ζημιά η μύτη αδαμάντινου πυρήνα.

Κατά την εκτέλεση εργασιών διάτρησης με αδαμάντινο πυρήνα, ρυθμίζετε πάντοτε το μοχλό αλλαγής στη θέση  για να χρησιμοποιήσετε τη λειτουργία «μόνο περιστροφή».

Κτύπημα σκόνης στο φίλτρο

Προαιρετικό εξάρτημα

ΠΡΟΣΟΧΗ: Μη γυρίζετε τον επιλογέα στη θήκη σκόνης ενώ η θήκη σκόνης έχει αφαιρεθεί από το σύστημα συλλογής σκόνης. Αν το κάπετο αυτό, μπορεί να προκληθεί εισπνοή της σκόνης.

ΠΡΟΣΟΧΗ: Να σβήνετε πάντα το εργαλείο όταν γυρίζετε τον επιλογέα στη θήκη σκόνης. Αν γυρίσετε τον επιλογέα ενώ το εργαλείο λειτουργεί, μπορεί να έχει ως αποτέλεσμα την απώλεια ελέγχου του εργαλείου.

Αν κτυπήσετε τη σκόνη στο φίλτρο μέσα στη θήκη σκόνης, μπορείτε να διατηρήσετε την αποδοτικότητα αναρρόφησης και επίσης να μειώσετε τον αριθμό των φορών που θα απορρίψετε τη σκόνη.

Γυρίστε τον επιλογέα στη θήκη σκόνης τρεις φορές μετά τη συλλογή 50.000 mm³ σκόνης ή όταν πιστεύετε ότι η απόδοση αναρρόφησης έχει μειωθεί.

ΠΑΡΑΤΗΡΗΣΗ: 50.000 mm³ σκόνης ισοδυναμούν με τρυπάνισμα 10 οπών με \varnothing 10 mm και βάθος 65 mm (14 οπές με \varnothing 3/8" και βάθος 2").

► **Εικ.36:** 1. Θήκη σκόνης 2. Επιλογέας

Απορρίψη της σκόνης

Προαιρετικό εξάρτημα

▲ ΠΡΟΣΟΧΗ: Να βεβαιώνετε πάντα ότι το εργαλείο είναι σβηστό και η κασέτα μπαταρίας έχει αφαιρεθεί πριν εκτελέσετε κάποια εργασία στο εργαλείο.

▲ ΠΡΟΣΟΧΗ: Να φροντίζετε να φοράτε μάσκα για τη σκόνη όταν απορρίπτετε τη σκόνη.

▲ ΠΡΟΣΟΧΗ: Να αδειάζετε τη θήκη σκόνης τακτικά πριν γεμίσει η θήκη σκόνης. Αν δεν τηρήσετε αυτή την οδηγία, μπορεί να μειωθεί η απόδοση συλλογής σκόνης και να προσκληθεί εισπνοή της σκόνης.

▲ ΠΡΟΣΟΧΗ: Η απόδοση της συλλογής σκόνης μειώνεται αν φράξει το φίλτρο στη θήκη σκόνης. Ως οδηγό, να αντικαθιστάτε το φίλτρο με ένα καινούριο μετά από περίπου 200 φορές πλήρωσής του με σκόνη. Αν δεν τηρήσετε αυτή την οδηγία, μπορεί να προσκληθεί εισπνοή της σκόνης.

1. Αφαιρέστε τη θήκη σκόνης ενώ πατάτε το μοχλό της θήκης σκόνης.

► **Εικ.37:** 1. Μοχλός

2. Ανοίξτε το κάλυμμα της θήκης σκόνης.

► **Εικ.38:** 1. Κάλυμμα

3. Απορρίψτε τη σκόνη και μετά καθαρίστε το φίλτρο.

► **Εικ.39**

ΕΙΔΟΠΟΙΗΣΗ: Όταν καθαρίζετε το φίλτρο, μην αγγίζετε το φίλτρο με βούρτσα ή παρόμοιο και μη φυσάτε πεπιεσμένο αέρα στο φίλτρο. Μπορεί να προσκληθεί ζημιά στο φίλτρο.

Φυσερό

Προαιρετικό εξάρτημα

Μετά από τη διάτρηση της οπής, χρησιμοποιήστε το φυσερό για να καθαρίσετε τη σκόνη από το εσωτερικό της οπής.

► **Εικ.40**

Χρήση του σετ καλύμματος σκόνης

Προαιρετικό εξάρτημα

Τοποθετήστε το σετ καλύμματος σκόνης επάνω στην οροφή όταν χρησιμοποιείτε το εργαλείο.

► **Εικ.41**

ΕΙΔΟΠΟΙΗΣΗ: Μη χρησιμοποιείτε το σετ καλύμματος σκόνης κατά το τρυπάνισμα σε μέταλλο ή παρόμοιο. Μπορεί να προσκληθεί ζημιά στο σετ καλύμματος σκόνης λόγω της θερμότητας που παράγεται από τη μικρή σκόνη μετάλλου ή παρόμοιο.

ΕΙΔΟΠΟΙΗΣΗ: Μην τοποθετείτε και μην αφαιρείτε το σετ καλύμματος σκόνης με τη μύτη τρυπανιού τοποθετημένη στο εργαλείο. Μπορεί να προσκληθεί ζημιά στο σετ καλύμματος σκόνης και να προσκληθεί διαρροή σκόνης.

Σύνδεση αναδέτη (ιμάντας πρόσδεσης) στην κρεμάστρα εργαλείου

▲ Προειδοποιήσεις ασφαλείας ειδικά για χρήση από ύψος

Διαβάστε όλες τις προειδοποιήσεις για την ασφάλεια και τις οδηγίες. Η μη τήρηση των προειδοποιήσεων και οδηγιών μπορεί να έχει ως αποτέλεσμα σοβαρό τραυματισμό.

1. Να διατηρείτε πάντα το εργαλείο προσδεμένο όταν εργάζεστε από ύψος. Το μέγιστο μήκος αναδέτη είναι 2 m.
2. Να χρησιμοποιείτε μόνο με αναδέτες κατάλληλους για αυτόν τον τύπο εργαλείου και με ονομαστική τιμή τουλάχιστον 4,5 kg.
3. Μην αγκυρώνετε τον αναδέτη εργαλείου σε οτιδήποτε υπάρχει επάνω στο σώμα σας ή σε κινητά εξαρτήματα. Να αγκυρώνετε τον αναδέτη εργαλείου σε μια άκαμπτη δομή που μπορεί να αντέξει στις δυνάμεις που ασκεί ένα εργαλείο που πέφτει.
4. Βεβαιωθείτε ότι ο αναδέτης είναι σωστά ασφαλισμένος σε κάθε άκρο πριν από τη χρήση.
5. Επιθεωρήστε το εργαλείο και τον αναδέτη πριν από κάθε χρήση για ζημιά και σωστή λειτουργία (συμπεριλαμβανομένου του υφάσματος και των ραφών). Μην χρησιμοποιείτε αν υπάρχει ζημιά ή δεν λειτουργεί σωστά.
6. Μην περιτυλίγετε τους αναδέτες και μην τους αφήνετε να έρθουν σε επαφή με αιχμηρά ή σκληρά άκρα.
7. Συνδέστε το άλλο άκρο του αναδέτη σε ένα σημείο έξω από το χώρο εργασίας ώστε το εργαλείο να συγκρατηθεί με ασφάλεια στην περίπτωση που πέσει.
8. Προσδέστε τον αναδέτη με τρόπο ώστε το εργαλείο να απομακρυνθεί από τον χειριστή σε περίπτωση που πέσει. Τα εργαλεία που πέφτουν αιωρούνται στον αναδέτη, γεγονός που μπορεί να προκαλέσει τραυματισμό και απώλεια ισορροπίας.

9. Μην χρησιμοποιείτε κοντά σε κινούμενα μέρη ή σε μηχανήματα που βρίσκονται σε λειτουργία. Η μη τήρηση αυτού μπορεί να έχει ως αποτέλεσμα κίνδυνο σύνθλιψης ή εμπλοκής.
 10. Μην μεταφέρετε το εργαλείο από τη διάταξη σύνδεσης ή τον αναδέτη.
 11. Να μεταφέρετε το εργαλείο μεταξύ των χεριών σας μόνο ενώ είστε καλά ισορροπημένοι.
 12. Μη συνδέετε αναδέτες στο εργαλείο με τρόπο που να εμποδίζει τη σωστή λειτουργία των διακοπών ή ασφαλειών σκανδάλης (αν παρέχονται).
 13. Αποφεύγετε την εμπλοκή με τον αναδέτη.
 14. Κρατήστε τον αναδέτη μακριά από την περιοχή τριπανίσματος του εργαλείου.
 15. Να χρησιμοποιείτε καραμπινέρ τύπου πολλών δράσεων και καραμπινέρ βιδωτού κλεισίματος. Μην χρησιμοποιείτε καραμπινέρ με ελατηριωτά κλιπ μίας δράσης.
 16. Στην περίπτωση που το εργαλείο πέσει, πρέπει να επισημανθεί και να μην χρησιμοποιηθεί ξανά, και να επιθεωρηθεί από εργοστάσιο ή εξουσιοδοτημένο κέντρο σέρβις της Makita.
- **Εικ.42:** 1. Κρεμάστρα εργαλείου 2. Αναδέτης (ιμάτνας πρόσδεσης)

ΛΕΙΤΟΥΡΓΙΑ ΑΣΥΡΜΑΤΗΣ ΕΝΕΡΓΟΠΟΙΗΣΗΣ

Προαιρετικό εξάρτημα

Τι μπορείτε να κάνετε με τη λειτουργία ασύρματης ενεργοποίησης

Η λειτουργία ασύρματης ενεργοποίησης επιτρέπει την καθαρή και άνετη λειτουργία. Αν συνδέσετε μια υποστηρίξιμη ηλεκτρική σκούπα στο εργαλείο, μπορείτε να χρησιμοποιείτε την ηλεκτρική σκούπα αυτόματα μαζί με τη λειτουργία διακοπής του εργαλείου.

► **Εικ.43**

Για να χρησιμοποιήσετε τη λειτουργία ασύρματης ενεργοποίησης, προετοιμάστε τα ακόλουθα στοιχεία:

- Μια ασύρματη μονάδα (προαιρετικό εξάρτημα)
- Ηλεκτρική σκούπα που υποστηρίζει τη λειτουργία ασύρματης ενεργοποίησης

Η σύνωση της ρύθμισης λειτουργίας ασύρματης ενεργοποίησης είναι η εξής. Ανατρέξτε σε κάθε τμήμα για λεπτομερείς διαδικασίες.

1. Εγκατάσταση της ασύρματης μονάδας
2. Καταχώρηση εργαλείου για την ηλεκτρική σκούπα
3. Έναρξη της λειτουργίας ασύρματης ενεργοποίησης

Εγκατάσταση της ασύρματης μονάδας

Προαιρετικό εξάρτημα

▲ΠΡΟΣΟΧΗ: Τοποθετήστε το εργαλείο σε μια επίπεδη και σταθερή επιφάνεια όταν εγκαθιστάτε την ασύρματη μονάδα.

ΕΙΔΟΠΟΙΗΣΗ: Καθαρίστε τη σκόνη και τη βρομιά στο εργαλείο πριν τοποθετήσετε την ασύρματη μονάδα. Η σκόνη ή η βρομιά μπορεί να προκαλέσει δυσλειτουργία αν έρθει σε επαφή με τη σχισμή της ασύρματης μονάδας.

ΕΙΔΟΠΟΙΗΣΗ: Για να αποτρέψετε τη δυσλειτουργία που προκαλείται από στατικό ηλεκτρισμό, αγγίξτε κάποιο υλικό στατικό εκκένωσης, όπως ένα μεταλλικό εξάρτημα του εργαλείου, πριν σηκώσετε την ασύρματη μονάδα.

ΕΙΔΟΠΟΙΗΣΗ: Όταν τοποθετείτε την ασύρματη μονάδα, να βεβαιώνετε πάντα ότι η ασύρματη μονάδα έχει εισαχθεί με τη σωστή κατεύθυνση και το καπάκι είναι εντελώς κλειστό.

1. Ανοίξτε το καπάκι στο εργαλείο όπως απεικονίζεται στην εικόνα.

► **Εικ.44:** 1. Καπάκι

2. Εισαγάγετε την ασύρματη μονάδα στη σχισμή και μετά κλείστε το καπάκι.

Όταν εισαγάγετε την ασύρματη μονάδα, ευθυγραμμίστε τις προεξοχές με τα βαθουλωτά τμήματα στη σχισμή.

► **Εικ.45:** 1. Ασύρματη μονάδα 2. Προεξοχή 3. Καπάκι 4. Βαθουλωτό τμήμα

Όταν αφαιρέτε την ασύρματη μονάδα, ανοίξτε το καπάκι αργά. Οι γάντζοι στο πίσω μέρος του καπακιού θα σηκώσουν την ασύρματη μονάδα καθώς τραβάτε το καπάκι προς τα πάνω.

► **Εικ.46:** 1. Ασύρματη μονάδα 2. Γάντζος 3. Καπάκι

Αφού αφαιρέσετε την ασύρματη μονάδα, να τη διατηρείτε μέσα στην παρεχόμενη θήκη ή μέσα σε δοχείο χωρίς στατικό ηλεκτρισμό.

ΕΙΔΟΠΟΙΗΣΗ: Να χρησιμοποιείτε πάντα τους γάντζους στο πίσω μέρος του καπακιού όταν αφαιρείτε την ασύρματη μονάδα. Αν οι γάντζοι δεν ασφαλισουν την ασύρματη μονάδα, κλείστε εντελώς το καπάκι και ανοίξτε το ξανά αργά.

Καταχώρηση εργαλείου για την ηλεκτρική σκούπα

ΠΑΡΑΤΗΡΗΣΗ: Για την καταχώρηση εργαλείου, απαιτείται ηλεκτρική σκούπα Makita που υποστηρίζει τη λειτουργία ασύρματης ενεργοποίησης.

ΠΑΡΑΤΗΡΗΣΗ: Ολοκληρώστε την εγκατάσταση της ασύρματης μονάδας στο εργαλείο πριν ξεκινήσετε την καταχώρηση εργαλείου.

ΠΑΡΑΤΗΡΗΣΗ: Κατά την καταχώρηση εργαλείου, μην τραβήξετε τη σκανδάλη διακοπής ούτε να ενεργοποιήσετε το διακόπτη λειτουργίας στην ηλεκτρική σκούπα.

ΠΑΡΑΤΗΡΗΣΗ: Ανατρέξτε και στο εγχειρίδιο οδηγιών της ηλεκτρικής σκούπας.

Αν επιθυμείτε να ενεργοποιήσετε την ηλεκτρική σκούπα μαζί με τη λειτουργία διακόπτη του εργαλείου, ολοκληρώστε εκ των προτέρων την καταχώρηση εργαλείου.

1. Τοποθετήστε τις μπαταρίες στην ηλεκτρική σκούπα και στο εργαλείο.

2. Θέστε τον διακόπτη αναμονής στην ηλεκτρική σκούπα στη θέση «ΑΥΤΟ».

► **Εικ.47:** 1. Διακόπτης αναμονής

3. Πατήστε το κουμπί ασύρματης ενεργοποίησης στην ηλεκτρική σκούπα για 3 δευτερόλεπτα μέχρι η λυχνία ασύρματης ενεργοποίησης αναβοσβήνει με πράσινο χρώμα. Και μετά πατήστε το κουμπί ασύρματης ενεργοποίησης στο εργαλείο με τον ίδιο τρόπο.

► **Εικ.48:** 1. Κουμπί ασύρματης ενεργοποίησης
2. Λυχνία ασύρματης ενεργοποίησης

Αν η ηλεκτρική σκούπα και το εργαλείο συνδεθούν με επιτυχία, οι λυχνίες ασύρματης ενεργοποίησης θα ανάψουν με πράσινο χρώμα για 2 δευτερόλεπτα και θα αρχίσουν να αναβοσβήνουν με μπλε χρώμα.

ΠΑΡΑΤΗΡΗΣΗ: Οι λυχνίες ασύρματης ενεργοποίησης θα αρχίσουν να αναβοσβήνουν με πράσινο χρώμα αφού περάσουν 20 δευτερόλεπτα. Πατήστε το κουμπί ασύρματης ενεργοποίησης στο εργαλείο ενώ η λυχνία ασύρματης ενεργοποίησης αναβοσβήνει στη σκούπα. Αν η λυχνία ασύρματης ενεργοποίησης δεν αναβοσβήνει με πράσινο χρώμα, πατήστε για λίγο το κουμπί ασύρματης ενεργοποίησης και κρατήστε το ξανά πατημένο.

ΠΑΡΑΤΗΡΗΣΗ: Όταν εκτελείτε δύο ή περισσότερες καταχωρήσεις εργαλείων για μία ηλεκτρική σκούπα, ολοκληρώστε την καταχώρηση εργαλείου ένα τη φορά.

Έναρξη της λειτουργίας ασύρματης ενεργοποίησης

ΠΑΡΑΤΗΡΗΣΗ: Ολοκληρώστε την καταχώρηση εργαλείου για την ηλεκτρική σκούπα πριν από την ασύρματη ενεργοποίηση.

ΠΑΡΑΤΗΡΗΣΗ: Ανατρέξτε και στο εγχειρίδιο οδηγιών της ηλεκτρικής σκούπας.

Αφού καταχωρήσετε ένα εργαλείο με την ηλεκτρική σκούπα, η ηλεκτρική σκούπα θα λειτουργεί αυτόματα μαζί με τη λειτουργία διακόπτη του εργαλείου.

1. Εγκαταστήστε την ασύρματη μονάδα στο εργαλείο.

2. Συνδέστε τον εύκαμπο σωλήνα της ηλεκτρικής σκούπας με το εργαλείο.

► **Εικ.49**

3. Θέστε τον διακόπτη αναμονής στην ηλεκτρική σκούπα στη θέση «ΑΥΤΟ».

► **Εικ.50:** 1. Διακόπτης αναμονής

4. Πατήστε σύντομα το κουμπί ασύρματης ενεργοποίησης στο εργαλείο. Η λυχνία ασύρματης ενεργοποίησης θα αναβοσβήνει με μπλε χρώμα.

► **Εικ.51:** 1. Κουμπί ασύρματης ενεργοποίησης
2. Λυχνία ασύρματης ενεργοποίησης

5. Τραβήξτε τη σκανδάλη διακόπτη του εργαλείου. Ελέγξτε αν η ηλεκτρική σκούπα λειτουργεί όσο τραβάτε τη σκανδάλη διακόπτη.

Για να σταματήσετε την ασύρματη ενεργοποίηση της ηλεκτρικής σκούπας, πατήστε το κουμπί ασύρματης ενεργοποίησης στο εργαλείο.

ΠΑΡΑΤΗΡΗΣΗ: Η λυχνία ασύρματης ενεργοποίησης στο εργαλείο θα σταματήσει να αναβοσβήνει με μπλε χρώμα όταν δεν υπάρχει λειτουργία για 2 ώρες. Σε αυτή την περίπτωση, θέστε το διακόπτη αναμονής στην ηλεκτρική σκούπα στη θέση «ΑΥΤΟ» και πατήστε ξανά το κουμπί ασύρματης ενεργοποίησης στο εργαλείο.

ΠΑΡΑΤΗΡΗΣΗ: Η ηλεκτρική σκούπα αρχίζει/σταματάει με καθυστέρηση. Υπάρχει χρονική καθυστέρηση όταν η ηλεκτρική σκούπα ανιχνεύει τη λειτουργία διακόπτη του εργαλείου.










ΠΑΡΑΤΗΡΗΣΗ: Η απόσταση μετάδοσης της ασύρματης μονάδας μπορεί να ποικίλλει ανάλογα με την τοποθεσία και τις περιβάλλουσες συνθήκες.

ΠΑΡΑΤΗΡΗΣΗ: Όταν δύο ή περισσότερα εργαλεία καταχωρούνται σε μία ηλεκτρική σκούπα, η ηλεκτρική σκούπα μπορεί να αρχίσει να λειτουργεί ακόμη κι αν δεν τραβήξετε τη σκανδάλη διακόπτη επειδή κάποιος άλλος χρήστης χρησιμοποιεί τη λειτουργία ασύρματης ενεργοποίησης.

Περιγραφή της κατάστασης της λυχνίας ασύρματης ενεργοποίησης

► Εικ.52: 1. Λυχνία ασύρματης ενεργοποίησης

Η λυχνία ασύρματης ενεργοποίησης δείχνει την κατάσταση της λειτουργίας ασύρματης ενεργοποίησης. Ανατρέξτε στον παρακάτω πίνακα για τη σημασία της κατάστασης λυχνίας.

Κατάσταση	Λυχνία ασύρματης ενεργοποίησης			Περιγραφή
	Χρώμα	 Αναμμένη	 Αναβοσβήνει	
Αναμονή	Μπλε		2 ώρες	Η ασύρματη ενεργοποίηση της ηλεκτρικής σκούπας είναι διαθέσιμη. Η λυχνία θα σβήσει αυτόματα όταν δεν εκτελεστεί καμία λειτουργία για 2 ώρες.
			Όταν το εργαλείο λειτουργεί.	Η ασύρματη ενεργοποίηση της ηλεκτρικής σκούπας είναι διαθέσιμη και το εργαλείο λειτουργεί.
Καταχώρηση εργαλείου	Πράσινη		20 δευτερόλεπτα	Έτοιμο για καταχώρηση εργαλείου. Σε αναμονή για καταχώρηση από την ηλεκτρική σκούπα.
			2 δευτερόλεπτα	Η καταχώρηση εργαλείου έχει ολοκληρωθεί. Η λυχνία ασύρματης ενεργοποίησης θα αρχίσει να αναβοσβήνει με μπλε χρώμα.
Ακύρωση καταχώρησης εργαλείου	Κόκκινη		20 δευτερόλεπτα	Έτοιμο για ακύρωση της καταχώρησης εργαλείου. Σε αναμονή για ακύρωση από την ηλεκτρική σκούπα.
			2 δευτερόλεπτα	Η ακύρωση της καταχώρησης εργαλείου έχει ολοκληρωθεί. Η λυχνία ασύρματης ενεργοποίησης θα αρχίσει να αναβοσβήνει με μπλε χρώμα.
Άλλες	Κόκκινη		3 δευτερόλεπτα	Η ισχύς παρέχεται στην ασύρματη μονάδα και η λειτουργία ασύρματης ενεργοποίησης εκκινείται.
	Σβηστή	-	-	Η ασύρματη ενεργοποίηση της ηλεκτρικής σκούπας έχει σταματήσει.

Ακύρωση καταχώρησης εργαλείου για την ηλεκτρική σκούπα

Εκτελέστε την ακόλουθη διαδικασία όταν ακυρώνετε την καταχώρηση εργαλείου για την ηλεκτρική σκούπα.

1. Τοποθετήστε τις μπαταρίες στην ηλεκτρική σκούπα και στο εργαλείο.
2. Θέστε τον διακόπτη αναμονής στην ηλεκτρική σκούπα στη θέση «AUTO».

► Εικ.53: 1. Διακόπτης αναμονής

3. Πατήστε το κουμπί ασύρματης ενεργοποίησης στην ηλεκτρική σκούπα για 6 δευτερόλεπτα. Η λυχνία ασύρματης ενεργοποίησης αναβοσβήνει με πράσινο χρώμα και μετά γίνεται κόκκινη. Μετά από αυτό, πατήστε το κουμπί ασύρματης ενεργοποίησης στο εργαλείο με τον ίδιο τρόπο.

- Εικ.54: 1. Κουμπί ασύρματης ενεργοποίησης
2. Λυχνία ασύρματης ενεργοποίησης

Αν η ακύρωση εκτελεστεί με επιτυχία, οι λυχνίες ασύρματης ενεργοποίησης θα ανάψουν με κόκκινο χρώμα για 2 δευτερόλεπτα και θα αρχίσουν να αναβοσβήνουν με μπλε χρώμα.

ΠΑΡΑΤΗΡΗΣΗ: Οι λυχνίες ασύρματης ενεργοποίησης θα αρχίσουν να αναβοσβήνουν με κόκκινο χρώμα αφού περάσουν 20 δευτερόλεπτα. Πατήστε το κουμπί ασύρματης ενεργοποίησης στο εργαλείο ενώ η λυχνία ασύρματης ενεργοποίησης αναβοσβήνει στη σκούπα. Αν η λυχνία ασύρματης ενεργοποίησης δεν αναβοσβήνει με κόκκινο χρώμα, πατήστε για λίγο το κουμπί ασύρματης ενεργοποίησης και κρατήστε το ξανά πατημένο.

Αντιμετώπιση προβλημάτων για τη λειτουργία ασύρματης ενεργοποίησης

Πριν ζητήσετε επισκευές, εκτελέστε αρχικά τη δική σας επιθεώρηση. Αν εντοπίσετε πρόβλημα που δεν επεξηγείται στο εγχειρίδιο, μην επιχειρήσετε να αποσυναρμολογήσετε το εργαλείο. Αντ' αυτού, ζητήστε βοήθεια από εξουσιοδοτημένα κέντρα εξυπηρέτησης της Makita και πάντοτε να χρησιμοποιείτε γνήσια ανταλλακτικά της Makita.

Κατάσταση προβλήματος	Πιθανή αιτία (δυσλειτουργία)	Αποκατάσταση
Η λυχνία ασύρματης ενεργοποίησης δεν ανάβει/αναβοσβήνει.	Η ασύρματη μονάδα δεν είναι εγκατεστημένη στο εργαλείο. Η ασύρματη μονάδα είναι εγκατεστημένη στο εργαλείο λανθασμένα.	Τοποθετήστε σωστά την ασύρματη μονάδα.
	Ο ακροδέκτης της ασύρματης μονάδας ή/και η σχισμή είναι βρόμικα.	Σκουπίστε απαλά τη σκόνη και τη βρομιά από τον ακροδέκτη της ασύρματης μονάδας και καθαρίστε τη σχισμή.
	Το κουμπί ασύρματης ενεργοποίησης στο εργαλείο δεν έχει πατηθεί.	Πατήστε σύντομα το κουμπί ασύρματης ενεργοποίησης στο εργαλείο.
	Ο διακόπτης αναμονής στην ηλεκτρική σκούπα δεν έχει τεθεί στη θέση «AUTO».	Θέστε τον διακόπτη αναμονής στην ηλεκτρική σκούπα στη θέση «AUTO».
	Δεν υπάρχει παροχή ρεύματος	Παρέχετε ισχύ στο εργαλείο και την ηλεκτρική σκούπα.
Δεν είναι δυνατή η ολοκλήρωση της καταχώρησης εργαλείου / ακύρωσης καταχώρησης εργαλείου με επιτυχία.	Η ασύρματη μονάδα δεν είναι εγκατεστημένη στο εργαλείο. Η ασύρματη μονάδα είναι εγκατεστημένη στο εργαλείο λανθασμένα.	Τοποθετήστε σωστά την ασύρματη μονάδα.
	Ο ακροδέκτης της ασύρματης μονάδας ή/και η σχισμή είναι βρόμικα.	Σκουπίστε απαλά τη σκόνη και τη βρομιά από τον ακροδέκτη της ασύρματης μονάδας και καθαρίστε τη σχισμή.
	Ο διακόπτης αναμονής στην ηλεκτρική σκούπα δεν έχει τεθεί στη θέση «AUTO».	Θέστε τον διακόπτη αναμονής στην ηλεκτρική σκούπα στη θέση «AUTO».
	Δεν υπάρχει παροχή ρεύματος	Παρέχετε ισχύ στο εργαλείο και την ηλεκτρική σκούπα.
	Λανθασμένη λειτουργία	Πατήστε σύντομα το κουμπί ασύρματης ενεργοποίησης και πραγματοποιήστε ξανά τις διαδικασίες καταχώρησης/ακύρωσης εργαλείου.
	Το εργαλείο και η ηλεκτρική σκούπα βρίσκονται σε αρκετή απόσταση μεταξύ τους (εκτός του εύρους μετάδοσης).	Φέρετε το εργαλείο και την ηλεκτρική σκούπα πιο κοντά. Η μέγιστη απόσταση μετάδοσης είναι περίπου 10 μέτρα, ωστόσο, μπορεί να διαφέρει ανάλογα με τις συνθήκες.
	Πριν ολοκληρώσετε την καταχώρηση/ακύρωση εργαλείου, - τραβήξτε τη σκανδάλη διακόπτη στο εργαλείο, ή - ενεργοποιήστε το κουμπί λειτουργίας στην ηλεκτρική σκούπα.	Πατήστε σύντομα το κουμπί ασύρματης ενεργοποίησης και πραγματοποιήστε ξανά τις διαδικασίες καταχώρησης/ακύρωσης εργαλείου.
	Δεν έχουν ολοκληρωθεί οι διαδικασίες καταχώρησης εργαλείου για το εργαλείο ή την ηλεκτρική σκούπα.	Εκτελέστε τις διαδικασίες καταχώρησης εργαλείου για το εργαλείο και την ηλεκτρική σκούπα ταυτόχρονα.
Ραδιοφωνικά παράσιτα από άλλες συσκευές που παράγουν ραδιοκύματα υψηλής έντασης.	Διατηρήστε το εργαλείο και την ηλεκτρική σκούπα μακριά από τις συσκευές, όπως συσκευές Wi-Fi και φούρνους μικροκυμάτων.	

Κατάσταση προβλήματος	Πιθανή αιτία (δυσλειτουργία)	Αποκατάσταση
Η ηλεκτρική σκούπα δεν λειτουργεί μαζί με τη λειτουργία διακοπής του εργαλείου.	Η ασύρματη μονάδα δεν είναι εγκατεστημένη στο εργαλείο. Η ασύρματη μονάδα είναι εγκατεστημένη στο εργαλείο λανθασμένα.	Τοποθετήστε σωστά την ασύρματη μονάδα.
	Ο ακροδέκτης της ασύρματης μονάδας ή/και η σχισμή είναι βρόμικα.	Σκουπίστε απαλά τη σκόνη και τη βρομιά από τον ακροδέκτη της ασύρματης μονάδας και καθαρίστε τη σχισμή.
	Το κουμπί ασύρματης ενεργοποίησης στο εργαλείο δεν έχει πατηθεί.	Πατήστε για λίγο το κουμπί ασύρματης ενεργοποίησης και βεβαιωθείτε ότι η λυχνία ασύρματης ενεργοποίησης αναβοσβήνει με μπλε χρώμα.
	Ο διακόπτης αναμονής στην ηλεκτρική σκούπα δεν έχει τεθεί στη θέση «ΑΥΤΟ».	Θέστε τον διακόπτη αναμονής στην ηλεκτρική σκούπα στη θέση «ΑΥΤΟ».
	Περισσότερα από 10 εργαλεία έχουν καταχωρηθεί με την ηλεκτρική σκούπα.	Πραγματοποιήστε ξανά την καταχώρηση εργαλείου. Αν περισσότερα από 10 εργαλεία είναι καταχωρημένα στην ηλεκτρική σκούπα, το εργαλείο που είχε καταχωρηθεί πιο νωρίς θα ακρωθεί αυτόματα.
	Η ηλεκτρική σκούπα έσβησε όλες τις καταχωρήσεις εργαλείων.	Πραγματοποιήστε ξανά την καταχώρηση εργαλείου.
	Δεν υπάρχει παροχή ρεύματος	Παρέχετε ισχύ στο εργαλείο και την ηλεκτρική σκούπα.
	Το εργαλείο και η ηλεκτρική σκούπα βρίσκονται σε αρκετή απόσταση μεταξύ τους (εκτός του εύρους μετάδοσης).	Φέρετε το εργαλείο και την ηλεκτρική σκούπα πιο κοντά. Η μέγιστη απόσταση μετάδοσης είναι περίπου 10 μέτρα, ωστόσο, μπορεί να διαφέρει ανάλογα με τις συνθήκες.
	Ραδιοφωνικά παράσιτα από άλλες συσκευές που παράγουν ραδιοκύματα υψηλής έντασης.	Διατηρήστε το εργαλείο και την ηλεκτρική σκούπα μακριά από τις συσκευές, όπως συσκευές Wi-Fi και φούρνους μικροκυμάτων.
Η ηλεκτρική σκούπα λειτουργεί ενώ δεν τραβάτε τη σκανδάλη διακοπής του εργαλείου.	Άλλοι χρήστες χρησιμοποιούν την ασύρματη ενεργοποίηση της ηλεκτρικής σκούπας με τα εργαλεία τους.	Κλείστε το κουμπί ασύρματης ενεργοποίησης των άλλων εργαλείων ή ακυρώστε την καταχώρηση εργαλείου των άλλων εργαλείων.

ΣΥΝΤΗΡΗΣΗ

ΠΡΟΣΟΧΗ: Πριν την εκτέλεση εργασιών επιθεώρησης ή συντήρησης, πάντοτε να βεβαιώνεται ότι η συσκευή απενεργοποιήθηκε και η κασέτα μπαταριών έχει αφαιρεθεί.

ΕΙΔΟΠΟΙΗΣΗ: Μην χρησιμοποιείτε ποτέ βενζίνη, πετρελαϊκό αιθέρα, διαλυτικό, αλκοόλη ή παρόμοιες ουσίες. Μπορεί να προκληθεί αποχρωματισμός, παραμόρφωση ή ρωγμές.

Για τη διατήρηση της ΑΣΦΑΛΕΙΑΣ και ΑΞΙΟΠΙΣΤΙΑΣ του προϊόντος, οι επισκευές και οποιαδήποτε άλλη εργασία συντήρησης ή ρύθμισης πρέπει να εκτελούνται από εξουσιοδοτημένα ή εργοστασιακά κέντρα εξυπηρέτησης της Makita, χρησιμοποιώντας πάντοτε ανταλλακτικά της Makita.

Αντικατάσταση του φίλτρου της θήκης σκόνης

Προαιρετικό εξάρτημα

- Αφαιρέστε τη θήκη σκόνης ενώ πατάτε το μοχλό της θήκης σκόνης.
► **Εικ.55:** 1. Μοχλός
- Εισαγάγετε ένα κατασβίδι με επίπεδη κεφαλή στις εγκοπές του καλύμματος φίλτρου για να αφαιρέσετε το κάλυμμα φίλτρου.
► **Εικ.56:** 1. Κατασβίδι με επίπεδη κεφαλή 2. Κάλυμμα φίλτρου
- Αφαιρέστε το φίλτρο από τη θήκη φίλτρου.
► **Εικ.57:** 1. Φίλτρο 2. Θήκη φίλτρου
- Προσαρτήστε ένα καινούριο φίλτρο στη θήκη φίλτρου και μετά προσαρτήστε το κάλυμμα φίλτρου.
- Κλείστε το κάλυμμα της θήκης σκόνης και μετά προσαρτήστε τη θήκη σκόνης στο σύστημα συλλογής σκόνης.

Αντικατάσταση του καπακιού σφράγισης

Προαιρετικό εξάρτημα

- Αν το καπάκι σφράγισης είναι φθαρμένο, η απόδοση της συλλογής σκόνης μειώνεται. Αντικαταστήστε το αν είναι φθαρμένο.
- Βγάλτε το καπάκι σφράγισης και μετά συνδέστε ένα καινούριο με την προεξοχή στραμμένη προς τα πάνω.
► **Εικ.58:** 1. Προεξοχή 2. Καπάκι σφράγισης

ΠΡΟΑΙΡΕΤΙΚΑ ΕΞΑΡΤΗΜΑΤΑ

⚠ ΠΡΟΣΟΧΗ: Αυτά τα εξαρτήματα ή προσαρτήματα συνιστώνται για χρήση με το εργαλείο Makita που περιγράφηκε στις οδηγίες αυτές. Η χρήση οποιωνδήποτε άλλων εξαρτημάτων ή προσαρτημάτων μπορεί να προκαλέσει κίνδυνο τραυματισμού σε άτομα. Να χρησιμοποιείτε τα εξαρτήματα ή προσαρτήματα μόνο για την χρήση που προορίζονται.

Εάν χρειάζεστε οποιαδήποτε βοήθεια για περισσότερες πληροφορίες σε σχέση με αυτά τα εξαρτήματα, αποστανθείτε στο τοπικό σας κέντρο εξυπηρέτησης Makita.

- Μύτες τρυπανιού με άκρο καρβιδίου (μύτες με άκρο καρβιδίου SDS-plus)
- Μύτη πυρήνα
- Διατρητική βελόνα
- Μύτη με αδαμάντινο πυρήνα
- Κοπίδι χαρακτών
- Κοπίδι αφαίρεσης σκουριάς
- Κοπίδι δημιουργίας αυλάκων
- Προσαρμογέας σφιγκτήρα
- Σφιγκτήρας τρυπανιού χωρίς κλειδί
- Γράσο μυτών
- Ρυθμιστής βάθους
- Φυσηρό
- Κάλυμμα σκόνης
- Σετ καλύμματος σκόνης
- Σύστημα συλλογής σκόνης
- Ασύρματη μονάδα
- Γάντζος
- Κρεμάστρα εργαλείου
- Γνήσια μπαταρία και φορτιστής της Makita
- Προστατευτικά γυαλιά
- Πλαστική θήκη μεταφοράς

ΠΑΡΑΤΗΡΗΣΗ: Μερικά στοιχεία στη λίστα μπορεί να συμπεριλαμβάνονται στη συσκευασία εργαλείου ως στάνταρ εξαρτήματα. Μπορεί να διαφέρουν ανάλογα με τη χώρα.

TEKNİK ÖZELLİKLER

Model:	DHR182	
Kapasiteler	Beton	18 mm
	Karot matkap ucu	35 mm
	Elmas karot matkap ucu (kuru tip)	32 mm
	Çelik	13 mm
	Tahta	24 mm
Yüksüz hız	0 - 1.350 min ⁻¹	
Dakikadaki darbe sayısı	0 - 5.000 min ⁻¹	
Toplam uzunluk	301 mm	
Anma voltajı	D.C. 18 V	
Net ağırlık	2,4 - 3,2 kg	

İsteğe bağlı aksesuar

Model:	DX05	
Emme performans	250 l/min	
Çalışma kursu	90 mm'ye kadar	
Uygun matkap ucu	160 mm'ye kadar	
Net ağırlık	0,9 kg	

- Sürekli yapılan araştırma ve geliştirmelerden dolayı, burada belirtilen özellikler önceden bildirilmeksizin değiştirilebilir.
- Özellikler ve batarya kartuşu ülkeden ülkeye değişebilir.
- Ağırlık, ekli aksesuar/aksesuarlara ve batarya kartuşuna bağlı olarak farklılık gösterebilir. EPTA-Prosedürü 01/2014'e göre en hafif ve en ağır kombinasyonlar tabloda verilmiştir.

Geçerli batarya kartuşu

BL1815N / BL1820 / BL1820B / BL1830 / BL1830B / BL1840 / BL1840B / BL1850 / BL1850B / BL1860B

- Yukarıda listelenen batarya kartuşlarının bazıları yaşadığınız bölgeye bağlı olarak mevcut olmayabilir.

UYARI: Sadece yukarıda listelenen batarya kartuşlarını kullanın. Başka batarya kartuşlarının kullanılması yaralanma ve/veya yangına neden olabilir.

Kullanım amacı

Bu alet tuğla, beton ve taş malzemelerde delme, darbeli delme ve bunun yanı sıra yontma işlemi için tasarlanmıştır.

Bu alet ahşap, metal, seramik ve plastik malzemelerde darbesiz delme işlemleri için de uygundur.

Gürültü

Tipik A-ağırlıklı gürültü düzeyi (EN60745-2-6 standardına göre belirlenen):

Model DHR182

Ses basınç seviyesi (L_{PA}): 89 dB (A)

Ses gücü düzeyi (L_{WA}): 100 dB (A)

Belirsizlik (K): 3 dB (A)

Model DHR182, DX05 ile

Ses basınç seviyesi (L_{PA}): 90 dB (A)

Ses gücü düzeyi (L_{WA}): 101 dB (A)

Belirsizlik (K): 3 dB (A)

NOT: Beyan edilen gürültü emisyonu değer(ler)i bir standart test yöntemine uygun şekilde ölçülmüştür ve bir aleti bir başkasıyla karşılaştırmak için kullanılabilir.

NOT: Beyan edilen gürültü emisyonu değer(ler)i bir ön maruz kalma değerlendirmesi olarak da kullanılabilir.

UYARI: Kulak koruyucuları takın.

UYARI: Elektrikli aletin gerçek kullanımı sırasındaki gürültü emisyonu, aletin kullanım biçimlerine, özellikle işlenen iş parçasının türüne bağlı olarak beyan edilen değer(ler)den farklı olabilir.

UYARI: Gerçek kullanım koşullarındaki tahmini maruziyeti baz alan, operatörü koruyacak güvenlik önlemlerini mutlaka belirleyin (çalışma döngüsü içerisinde aletin kapalı olduğu ve aktif durumda olmasının yanı sıra boşta çalıştığı zamanlar gibi, bütün zaman dilimleri göz önünde bulundurarak).

Titreşim

Aşağıdaki tabloda ilgili standarda uygun olarak belirlenmiş olan titreşim toplam değeri (üç eksenli vektör toplamı) gösterilmiştir.

Çalışma modu	Titreşim emisyonu	Belirsizlik (K)	Geçerli standart
Darbeli beton delme ($a_{h, HD}$)	11,0 m/s ²	1,5 m/s ²	EN60745-2-6
DX05 ile darbeli beton delme ($a_{h, HD}$)	11,0 m/s ²	1,5 m/s ²	EN60745-2-6
Yan kavrama koluyla yontma işlevi ($a_{h, Cheq}$)	9,0 m/s ²	1,5 m/s ²	EN60745-2-6
Metal delme ($a_{h, D}$)	2,5 m/s ²	1,5 m/s ²	EN60745-2-1

NOT: Beyan edilen titreşim toplam değer(ler)i bir standart test yöntemine uygun şekilde ölçülmüştür ve bir aleti bir başkasıyla karşılaştırmak için kullanılabilir.

NOT: Beyan edilen titreşim toplam değer(ler)i bir ön maruz kalma değerlendirmesi olarak da kullanılabilir.

UYARI: Elektrikli aletin gerçek kullanımı sırasındaki titreşim emisyonu, aletin kullanım biçimlerine, özellikle işlenen iş parçasının türüne bağlı olarak beyan edilen değer(ler)den farklı olabilir.

UYARI: Gerçek kullanım koşullarındaki tahmini maruziyeti baz alan, operatörü koruyacak güvenlik önlemlerini mutlaka belirleyin (çalışma döngüsü içerisinde aletin kapalı olduğu ve aktif durumda olmasının yanı sıra boşa çalıştığı zamanlar gibi, bütün zaman dilimleri göz önünde bulundurarak).

EC Uygunluk Beyanı

Sadece Avrupa ülkeleri için

EC uygunluk beyanı bu kullanım kılavuzuna Ek A olarak eklenmiştir.

GÜVENLİK UYARILARI

Genel elektrikli alet güvenliği uyarıları

UYARI: Bu elektrikli aletle birlikte sunulan tüm güvenlik uyarılarını, talimatları, çizimleri ve teknik özellikleri okuyun. Aşağıda verilen talimatlara uyulmaması elektrik şoku, yangın ve/veya ciddi yaralanmalar ile sonuçlanabilir.

Tüm uyarıları ve talimatları ile- ride başvurmak için saklayın.

Uyarılardaki "elektrikli alet" terimi ile ya prizden çalışan (kordonlu) elektrikli aletiniz ya da kendi aküsü ile çalışan (kordonsuz) elektrikli aletiniz kastedilmektedir.

AKÜLÜ KIRICI DELİCİ İLE İLGİLİ GÜVENLİK UYARILARI

- Kulak koruyucuları takın.** Gürültüye maruz kalmak işitme kaybına neden olabilir.
- Aletle birlikte sağlanmışsa yardımcı tutamağı/tutamakları kullanın.** Kontrol kaybı yaralanmaya neden olabilir.
- Kesici aksesuarın görünmeyen kablolarla temas etme olasılığı bulunan yerlerde çalışırken elektrikli aleti yalıtımlı kavrama yüzeylerinden tutun.** Kesici aksesuarın "akımlı" bir telle temas etmesi elektrikli aletin yalıtımsız metal kısımlarını "akımlı" hale getirebilir ve kullanıcıyı elektrik şokuna maruz bırakabilir.
- Sert bir başlık (emniyet kaskı), koruyucu gözlük ve/veya yüz siperi kullanın.** Normal gözlükler veya güneş gözlükleri koruyucu gözlük DEĞİLDİR. Ayrıca bir toz maskesi ve kalın eldivenler giymeniz de önerilir.

- Çalışmaya başlamadan önce ucun yerine sağlam bir şekilde takıldığından emin olun.**
- Normal kullanımda, alet titreşim üretecek şekilde tasarlanmıştır.** Vidalar kolayca gevşeyebilir, arızaya ya da kazaya sebep olabilir. Kullanmadan önce vidaların sıkılığını kontrol edin.
- Soğuk havalarda ya da alet uzun bir süre kullanılmamışsa, yüksük olarak bir müddet çalıştırıp aletin ısınmasını sağlayın.** Bu işlem yağın çözülmesini sağlar. Uygun bir şekilde ısıtıldığında, kırma işleminde zorluk görülür.
- Her zaman yere sağlam basın.** Aleti yüksekte kullandığınızda, altında kimsenin olmadığından emin olun.
- Aleti iki elle sıkıca tutun.**
- Ellerinizi hareketli parçalardan uzak tutun.**
- Aleti çalışır durumda bırakmayın.** Aleti sadece elinizde iken çalıştırın.
- Kullanım sırasında aleti etraftaki herhangi birine doğrultmayın.** Uç yerinden fırlayıp ciddi yaralanmalara sebep olabilir.
- Çalışmanızı bittikten hemen sonra uca, uca yakın kısımlara veya iş parçasına dokunmayın;** bunlar aşırı sıcak olabilir ve yanıklara yol açabilir.
- Bazı malzemeler zehirli olabilen kimyasallar içerirler.** Toz yutmayı ve cilt temasını önlemek için tedbir alın. Malzeme sağlayıcısının güvenlik bilgilerine uyun.
- Aleti başka bir kişiye vermeden önce mutlaka aletin kapalı olduğundan ve batarya kartuşu ile ucun çıkarıldığından emin olun.**

BU TALİMATLARI SAKLAYIN.

UYARI: Ürünü kullanırken (defalarca kullanınca kazanılan) rahatlık ve tanıdıklık duygusunun ilgili ürünün güvenlik kurallarına sıkı sıkıya bağlı kalmanızı yerine getirmesine İZİN VERMEYİN. **YANLIŞ KULLANIM** veya bu kullanma kılavuzunda belirtilen emniyet kurallarına uymama ciddi yaralanmaya neden olabilir.

Batarya kartuşu hakkında önemli güvenlik talimatları

1. Batarya kartuşunu kullanmadan önce, tüm talimatları ve (1) batarya kartuşu, (2) batarya ve (3) ürün üzerindeki tüm uyarı işaretlerini okuyun.
2. Batarya kartuşunu demonte etmeyin.
3. Çalışma süresi aşırı derecede kısalmışsa kullanmayı derhal bırakın. Aşırı ısınma, yanma riski hatta patlamaya neden olabilir.
4. Gözünüze elektrolit kaçarsa, gözlerinizi temiz suyla durulayın ve hemen tıbbi yardım alın. Görmeye kaybına yol açabilir.
5. Batarya kartuşuna kısa devre yaptırmayın:
 - (1) Terminallere herhangi bir iletken madde değdirmeyin.
 - (2) Batarya kartuşunu çiviler, madeni paralar, vb. gibi başka metal nesnelere aynı kaba koymaktan kaçının.
 - (3) Batarya kartuşunu yağmura ya da suya maruz bırakmayın.Kısa devre, büyük bir akım akışına, aşırı ısınmaya, olası yanıklara hatta bataryanın bozulmasına yol açabilir.
6. Aleti ve batarya kartuşunu sıcaklığın 50°C ya da daha yükseğe ulaştığı yerlerde saklamayın.
7. Aşırı derecede hasar görmüş ya da tamamen kullanılamaz durumda olsa bile batarya kartuşunu yakmayın. Batarya kartuşu ateşe atılırsa patlayabilir.
8. Bataryayı düşürmemeye ve çarpmamaya dikkat edin.
9. Hasarlı bataryayı kullanmayın.
10. Aletin içerdiği lityum-iyon bataryalar Tehlikeli Eşyalar Yönetmeliğinin gereksinimlerine tabidir.

Ticari nakliye işlemleri için, örneğin üçüncü taraflar, nakliye acenteleri tarafından yapılan nakliyelerde, paketlenme ve etiketleme gereksinimlerine uyulmalıdır.

Nakliyesi yapılacak ürünün hazırlanması için, tehlikeli maddeler konusunda uzman bir kişiye danışın. Lütfen muhtemelen daha ayrıntılı olan ulusal yönetmeliklere de uyun.

Açık kontakları bantlayın ya da maskeleyin ve bataryayı paketin içinde hareket ettirmeyecek şekilde paketlenin.
11. Bataryanın elden çıkarılması ile ilgili yerel düzenlemelere uyunuz.
12. Bataryaları sadece Makita tarafından belirtilen ürünlerle kullanın. Bataryaların uyumsuz ürünlere takılması; yangın, aşırı ısınma, patlama ya da elektrolit sızıntısına neden olabilir.

BU TALİMATLARI MUHAFAZA EDİNİZ.

⚠DİKKAT: Sadece orijinal Makita bataryalarını kullanın. Orijinal olmayan Makita bataryaları ya da üzerine değişiklik yapılmış bataryaların kullanımı bataryanın patlamasına ve sonuç olarak yangın, kişisel yaralanma ve hasara neden olabilir. Ayrıca Makita aleti ve şarj aletinin Makita tarafından sunulan garantisini de geçersiz olur.

Maksimum batarya ömrü için ipuçları

1. Batarya kartuşunu tamamen boşalmadan önce şarj edin. Aletin gücünün zayıflamaya başladığını fark ettiğinizde aleti durdurun ve batarya kartuşunu şarj edin.
2. Tam dolu bir batarya kartuşunu asla yeniden şarj etmeyin. Aşırı şarj etme bataryanın hizmet ömrünü kısaltır.
3. Batarya kartuşunu 10°C - 40°C oda sıcaklığında şarj edin. Sıcak bir batarya kartuşunu şarj etmeden önce soğumasını bekleyin.
4. Uzun bir süre (altı aydan daha fazla) kullanmadığınız durumlarda batarya kartuşunu şarj edin.

Kablosuz ünitesi için önemli güvenlik talimatları

1. Kablosuz ünitesini parçalarına ayırmayın veya kurcalamayın.
2. Kablosuz ünitesini küçük çocuklardan uzak tutun. Kazara yutulursa derhal tıbbi yardım alın.
3. Kablosuz ünitesini sadece Makita aletlerle kullanın.
4. Kablosuz ünitesini yağmura veya ıslak koşullara maruz bırakmayın.
5. Kablosuz ünitesini sıcaklığın 50°C'yi aştığı yerlerde kullanmayın.
6. Kablosuz ünitesini, kalp pilleri gibi tıbbi cihazların yakınında bulunan yerlerde kullanmayın.
7. Kablosuz ünitesini, otomatik cihazların yakınında bulunan yerlerde kullanmayın. Kullanılırsa otomatik cihazlar arızalanabilir veya hata verebilir.
8. Kablosuz ünitesini, yüksek sıcaklık altındaki yerlerde veya statik elektrik veya elektrik gücüne üretilen yerlerde kullanmayın.
9. Kablosuz ünitesi elektromanyetik alanlar üretir ancak onlar kullanıcınıza zararlı değildir.
10. Kablosuz ünitesi hassas bir cihazdır. Kablosuz ünitesini düşürmemeye veya çarpmamaya dikkat edin.
11. Kablosuz ünitesinin terminaline çıplak ellerle veya metalik malzemelerle dokunmaktan kaçının.
12. Kablosuz ünitesini ürüne takarken ürünün üzerindeki bataryayı mutlaka çıkarın.
13. Yuva kapağını açarken yuvaya toz ve suyun girebileceği yerlerden kaçınınız. Yuva girişini daima temiz tutun.
14. Kablosuz ünitesi her zaman doğru yönde takın.
15. Kablosuz ünitesinin üzerindeki kablosuz çalıştırma düğmesine çok sert basmayın ve/veya düğmeye keskin uçlu bir cisim ile basmayın.
16. Kullanırken yuva kapağını mutlaka kapatın.
17. Alete güç beslenirken kablosuz ünitesini yuvadan çıkarmayın. Aksi takdirde kablosuz ünitesi arızalanabilir.
18. Kablosuz ünitesinin üzerindeki etiketi çıkarmayın.
19. Kablosuz ünitesinin üzerine hiçbir etiket koymayın.
20. Kablosuz ünitesini, statik elektrik veya elektrik gücüne üretilen yerlerde bırakmayın.
21. Kablosuz ünitesini, güneşin altında duran bir araba gibi yüksek ısıya maruz yerlerde bırakmayın.
22. Kablosuz ünitesini, tozlu veya aşındırıcı gaz üretilen yerlerde bırakmayın.
23. Ani sıcaklık değişimleri kablosuz ünitesini neme düşürebilir. Nem tamamen kuruyana dek kablosuz ünitesini kullanmayın.

24. Kablosuz ünitesini temizlerken kuru yumuşak bir bezle nazikçe silin. Benzin, tiner, iletken gres veya benzeri maddeler kullanmayın.
25. Kablosuz ünitesini saklarken ürünle verilen kutusunda veya anti-statik bir kaptaki saklayın.
26. Alet üzerindeki yuvaya Makita kablosuz ünitesi dışında başka hiçbir aygıt sokmayın.
27. Aleti, yuvanın kapağı hasarlı iken kullanmayın. Yuvaya giren su, toz ve pislik arızaya neden olabilir.
28. Yuvanın kapağını gerekenden fazla çekmeyin ve/veya bükmeyin. Aletten çıkması durumunda kapağı yeniden takın.
29. Kaybolur veya hasar görürse kapağı değiştirin.

BU TALİMATLARI MUHAFAZA EDİNİZ.

İŞLEVSEL NİTELİKLER

⚠ DİKKAT: Alet üzerinde ayarlama veya işleyiş kontrolü yapmadan önce aletin kapalı ve batarya kartuşunun ayrılmış olduğundan daima emin olun.

Batarya kartuşunun takılması ve çıkarılması

⚠ DİKKAT: Batarya kartuşunu takmadan ya da çıkarmadan önce aleti daima kapatın.

⚠ DİKKAT: Batarya kartuşunu takarken veya çıkarırken aleti ve batarya kartuşunu sıkıca tutun. Aletin ve batarya kartuşunun sıkıca tutulmaması bunların düşürülmesine sebep olabilir ve alet ve batarya kartuşunun zarar görmesine ya da ciddi yaralanmasına yol açabilir.

► **Şek.1:** 1. Kırmızı göstergesi 2. Düğme 3. Batarya kartuşu

Batarya kartuşunu çıkarmak için, kartuşun ön tarafındaki düğmeyi kaydırarak kartuşu aletten çıkarın.

Batarya kartuşunu takmak için, batarya kartuşu üzerindeki dili yuvanın çentiği ile hizalayın ve yerine oturtun. Hafif bir tık sesi duyulana kadar itip yerine tam oturtmasını sağlayın. Düğmenin üst tarafındaki kırmızı göstergesi görünüyorsa tam yerine kilitlenmemiş demektir.

⚠ DİKKAT: Batarya kartuşunu daima kırmızı göstergesi görünmeyecek şekilde tam olarak takın. Yerine tam oturmazsa, aletten yanlışlıkla düşebilir, sizin ya da çevrenizdeki kişilerin yaralanmasına neden olabilir.

⚠ DİKKAT: Batarya kartuşunu zorlayarak takmayın. Kartuş kolay bir şekilde kaymıyorsa doğru yerleştirilmemiş demektir.

Kalan batarya kapasitesinin gösterilmesi

Sadece göstergeli batarya kartuşları için

► **Şek.2:** 1. Göstergesi lambaları 2. Kontrol düğmesi

Kalan batarya kapasitesini göstermesi için batarya kartuşu üzerindeki kontrol düğmesine basın. Göstergesi lambaları birkaç saniye yanar.

Göstergesi lambaları			Kalan kapasite
Yanıyor	Kapalı	Yanıp sönüyor	
■ ■ ■ ■			%75 ila %100
■ ■ ■ □			%50 ila %75
■ ■ □ □			%25 ila %50
■ □ □ □			%0 ila %25
▣ □ □ □			Bataryayı şarj edin.
■ ■ □ □		↑ ↓	Batarya arızalanmış olabilir.
□ □ ■ ■			

NOT: Kullanım koşullarına ve ortam sıcaklığına bağlı olarak, gösterilen değer gerçek kapasiteden biraz farklılık gösterebilir.

Alet/batarya koruma sistemi

Bu alet bir alet/batarya koruma sistemi ile donatılmıştır. Bu sistem motora giden gücü otomatik olarak keserek uzun alet ve batarya ömrü sağlar. Alet veya batarya için aşağıdaki durumlardan biri söz konusu olduğunda aletin işleyişi otomatik olarak durur:

Aşırı yük koruması

Batarya, anormal derecede yüksek akım çekmesine neden olacak şekilde kullanıldığında, alet hiçbir belirti vermeden otomatik olarak durur. Bu durumda, aleti kapatın ve aletin aşırı yüklenmesine neden olan uygulamayı durdurun. Daha sonra aleti yeniden başlaması için çalıştırın.

Aşırı ısınma koruması

Alet veya batarya aşırı ısındığında alet otomatik olarak durur. Bu durumda aleti yeniden açmadan önce alet ve bataryanın soğumasını bekleyin.

NOT: Alet aşırı ısındığında lamba yanıp söner.

Aşırı deşarj koruması

Batarya kapasitesi yeterli olmadığında, alet otomatik olarak durur. Bu durumda, bataryayı aletten çıkarın ve bataryayı tekrar şarj edin.

Anahtar işlemleri

⚠UYARI: Batarya kartuşunu alete takmadan önce anahtar tetiğinin doğru çalıştığından ve bırakıldığında "OFF" (kapalı) konumuna döndüğünden emin olun.

► **Şek.3:** 1. Anahtar tetik

Aleti çalıştırmak için, sadece anahtar tetiği çekin. Aletin çalışma hızı anahtar tetik üstüne daha fazla baskı yapılarak artırılır. Durdurmak için anahtar tetiği serbest bırakın.

Ön lambanın yakılması

► **Şek.4:** 1. Lamba

⚠DİKKAT: Işığa bakmayın ya da ışık kaynağını doğrudan görmeyin.

Lambayı yakmak için anahtar tetiği çekin. Anahtar tetik çekilirken lamba yanmaya devam eder. Anahtar tetik serbest bırakıldıktan yaklaşık 10 saniye sonra lamba söner.

NOT: Lamba lensini temizlemek için kuru bir bez kullanın. Aydınlatmayı azaltacağı için lamba lensinin çizilmemesine dikkat edin.

Ters dönüş mandalı işlemi

► **Şek.5:** 1. Ters dönüş mandalı anahtarı

⚠DİKKAT: Kullanmadan önce dönüş yönünü daima kontrol edin.

⚠DİKKAT: Ters döndürme anahtarını sadece alet tamamen durduktan sonra kullanın. Dönüş yönünün alet durmadan önce değiştirilmesi alete zarar verebilir.

⚠DİKKAT: Aleti kullanmadığınız zaman, ters döndürme anahtarını daima nötr konumuna ayarlayın.

Bu aletin dönüş yönünü değiştirmek için bir ters döndürme anahtarı vardır. Ters döndürme anahtarına saat yönünde dönüş için A tarafından tersi yönde dönüş içinse B tarafından bastırın.

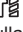
Ters döndürme anahtarı nötr konumundayken tetik anahtar çekilemez.

Bir eylem modu seçme

ÖNEMLİ NOT: Alet çalışırken eylem modu değiştirme düğmesini döndürmeyin. Alet zarar görebilir.


ÖNEMLİ NOT: Mod değiştirme mekanizmasının hızlı aşınmasını önlemek için, eylem modu değiştirme düğmesinin üç eylem modu pozisyonundan birine tam olarak döndürüldüğünden emin olun.

Kırmalı dönüş

Beton, taş vb. delerken, eylem modu değiştirme düğmesini  sembolüne doğru döndürün. Tungsten karbür uç kullanın (isteğe bağlı aksesuar).


► **Şek.6:** 1. Kırmalı dönüş 2. Eylem modu değiştirme düğmesi

Sadece dönüş

Tahta, metal veya plastik malzemeleri delerken, eylem modu değiştirme düğmesini  sembolüne doğru döndürün. Spiral matkap ucu veya ahşap matkap ucu kullanın.

► **Şek.7:** 1. Sadece dönüş

Sadece kırma

Yontma, raspalama veya kırma işlemleri için, eylem modu değiştirme düğmesini  sembolüne doğru döndürün. Sivri keski, soğuk keski, yassı keski vb. kullanın.

► **Şek.8:** 1. Sadece kırma

Toz toplama sisteminin emme ünitesi konumunun ayarlanması

İsteğe bağlı aksesuarlar

Kılavuz ayarlama düğmesini yukarı ittirerek kılavuzu içeri ittirin ve düğmeyi istenen konumda bırakın.

► **Şek.9:** 1. Kılavuz 2. Kılavuz ayarlama düğmesi

NOT: Emme ünitesinin konumunu ayarlamadan önce kılavuz ayarlama düğmesini yukarı ittirerek emme ünitesini ileri doğru sonuna kadar salın.

Toz toplama sisteminin delme derinliğinin ayarlanması

İsteğe bağlı aksesuarlar

Derinlik ayarlama düğmesini, yukarı ittirerek istediğiniz konuma getirin. (A) mesafesi, delme derinliğidir.

► **Şek.10:** 1. Derinlik ayarlama düğmesi

Tork sınırlandırıcı

ÖNEMLİ NOT: Tork sınırlandırıcı etkinleştildiğinde, aleti hemen kapatın. Bu işlem, aletin erkenden aşınmasını önler.

ÖNEMLİ NOT: Delik açma testeresi gibi, kolayca deliğe sıkışma veya takılma olasılığı bulunan matkap uçları bu aletle kullanım için uygun değildir. Bunun nedeni, tork sınırlandırıcının çok sık etkinleşmesine neden olmalarıdır.

Belli bir tork seviyesine ulaşıldığında tork sınırlandırıcı etkinleştirilir. Motor, çıkış şaftından ayrılır. Bunun sonucunda da matkap ucunun dönmesi durur.

Elektronik fonksiyonu

Alet kolay kullanım için elektronik fonksiyonlarla donatılmıştır.

- Sabit hız kontrolü
Hız kontrol fonksiyonu, yük koşullarından bağımsız olarak sabit devir hızı sağlar.

MONTAJ

⚠️ DİKKAT: Alet üzerinde herhangi bir iş yapmadan önce aletin kapalı ve batarya kartuşunun ayrılmış olduğundan daima emin olun.

Yan kavrama kolu (yardımcı tutamak)

⚠️ DİKKAT: Çalışma güvenliği için daima yan kavrama kolunu kullanın.

⚠️ DİKKAT: Yan kavrama kolunu takıp ayarladıktan sonra yerine iyice sabitlendiğinden emin olun.

Yan kavrama kolu üzerindeki oluklar alet gövdesindeki çıkıntılarının arasına denk gelecek şekilde takın. Kavrama kolunu sabitlemek için saat yönünde döndürün. Kavrama kolu istenen açıda sabitlenebilir.

► **Şek.11:** 1. Yan kavrama kolu

Gres yağı

Matkap ucunun mil ucunu önceden küçük bir miktar gres ile yağlayın (yaklaşık 0,5 - 1 g). Mandrenin yağlanması yumuşak bir çalışma ve daha uzun servis ömrü sağlar.

Matkap ucunun takılması veya çıkarılması

Matkap ucunu takmadan önce matkap ucunun mil ucunu temizleyin ve gres ile yağlayın.

► **Şek.12:** 1. Mil ucu 2. Gres yağı

Matkap ucunu alete takın. Matkap ucunu çevirip yerine oturana kadar itin.

Matkap ucunu taktikten sonra çekmeye çalışarak matkap ucunun yerine sağlam bir şekilde oturduğundan daima emin olun.

► **Şek.13:** 1. Matkap ucu


Matkap ucunu çıkarmak için, mandren kapağını tamamen aşağı çekin ve matkap ucunu çekip çıkarın.

► **Şek.14:** 1. Matkap ucu 2. Mandren kapağı

Keski açısı (yontma, raspalama veya kırma sırasında)

Keski, istenen açıda sabitlenebilir. Keski açısını değiştirmek için, eylem modu değiştirme düğmesini O sembolüne doğru döndürün. Keskiyi istenen açıya döndürün.

► **Şek.15:** 1. Eylem modu değiştirme düğmesi

Eylem modu değiştirme düğmesini  sembolüne ayarlayın. Ardından, keskiyi hafifçe döndürerek yerine sağlam bir şekilde oturduğundan emin olun.

Derinlik mastarı

Derinlik mastarı eşit derinlikte delikler delmeye yarar. Yan kavrama kolunu gevşetin ve derinlik mastarını yan kavrama kolundaki deliğin içine yerleştirin. Derinlik mastarını istenilen derinliğe ayarlayın ve yan kavrama kolunu iyice sıkıştırın.

► **Şek.16:** 1. Delik 2. Derinlik mastarı

NOT: Derinlik mastarını takarken, derinlik mastarının aletin ana gövdesine temas etmediğinden emin olun.

Toz toplama sisteminin takılması veya çıkarılması

İsteğe bağlı aksesuarlar

Toz toplama sistemini çıkarmak için kilit açma düğmesine basarak aleti çekin. Takmak için aleti toz toplama sistemine, hafif bir tık sesi ile yerine kilitlenene dek sonuna kadar sokun.

► **Şek.17:** 1. Kilit açma düğmesi

Toz başlığı

İsteğe bağlı aksesuarlar

Tozun yere ve üzerinize dökülmesini önlemek için başınızdan daha yukarıdaki delme işlemlerini gerçekleştirirken toz başlığını kullanın. Toz başlığını şekilde gösterildiği gibi uca takın. Toz başlığının takılabileceği uç boyutları aşağıda verilmiştir.

Model	Uç çapı
Toz başlığı 5	6 mm - 14,5 mm
Toz başlığı 9	12 mm - 16 mm

► **Şek.18:** 1. Toz başlığı

Toz başlığı seti

İsteğe bağlı aksesuarlar

Toz başlığı setinin takılması

ÖNEMLİ NOT: İsteğe bağlı aksesuar olarak toz başlığı setini satın alırsanız standart yan kavrama kolu, toz başlığı seti alete takılıken kullanılamaz. Alete toz başlığı seti takılıysa kavrama kolunu standart yan kavrama kolundan çıkarın ve daha sonra isteğe bağlı kavrama kolu taban setine takın.

► **Şek.19:** 1. Cıvata 2. Kavrama kolu 3. İsteğe bağlı kavrama kolu taban seti

ÖNEMLİ NOT: Metal ve benzeri malzemeleri delerken toz başlığı setini kullanmayın. Bunun yapılması, küçük metal tozları ve benzeri maddelerin neden olduğu ısı yüzünden toz başlığı setine zarar verebilir. Matkap ucu alete takılı iken toz başlığı setini takmayın veya çıkarmayın. Bunun yapılması toz başlığı setine zarar verebilir ve toz sızmasına neden olabilir.

Toz başlığı setini takmadan önce ucun takılı olması durumunda ucu aletten çıkarın.

1. Ara parçayı genişleterek, ara parça üzerindeki oluklar alet gövdesi üzerindeki çıkıntılara oturacak şekilde takın. Yayın, ara parçanın kesik bölümünden çıkmamasına dikkat edin.

► **Şek.20:** 1. Ara parça 2. Yay

► **Şek.21**

2. Yan kavrama kolunu (isteğe bağlı kavrama kolu taban seti ve kavrama kolu, standart yan kavrama kolundan çıkarılmış), kavrama kolu üzerindeki oluklar ara parçadaki çıkıntılara oturacak şekilde takın. Kavrama kolunu sabitlemek için saat yönünde döndürün.

► **Şek.22:** 1. Yan kavrama kolu

3. Toz başlığı setini, toz başlığının kısıkaçları ara parçadaki kesiklere oturacak şekilde takın.

► **Şek.23:** 1. Toz başlığı 2. Kısıkaçlar

NOT: Toz başlığı setine bir elektrikli süpürge bağlıyorsanız, bunu yapmadan önce toz kapağını çıkarın.

► **Şek.24:** 1. Toz kapağı

Matkap ucunun çıkarılması

Matkap ucunu çıkarmak için, mandren kapağını tamamen aşağı çekin ve matkap ucunu çekip çıkarın.

► **Şek.25:** 1. Uç 2. Mandren kapağı

Toz başlığı setinin çıkarılması

Toz başlığı setini çıkarmak için aşağıdaki adımları izleyin.

1. Yan kavrama kolunu gevşetin.

► **Şek.26:** 1. Yan kavrama kolu

2. Toz başlığının alt kısmını tutun ve çekerek çıkarın.

► **Şek.27:** 1. Toz başlığı

NOT: Toz başlığı setini çıkarmakta zorlanıyorsanız, toz başlığının alt kısmını döndürerek ve çekerek toz başlığının kısıkaçlarını birer birer çıkarın.

NOT: Toz başlığının kapağı çıkarsa, yazılı kısmı yukarı bakacak ve kapağın üzerindeki oluk ek parçanın çevreleyen kısmının içine oturacak şekilde takın.

► **Şek.28**

Kanca

Isteğe bağlı aksesuarlar

▲DİKKAT: Aleti kanca ile asarken bataryayı daima çıkarın.

▲DİKKAT: Aleti hiçbir zaman yüksek bir yere veya potansiyel olarak dengesiz bir zemine asmayın.

► **Şek.29:** 1. Oluk 2. Kanca 3. Vida

Kanca, aletin geçici bir süre asılması için kullanışlıdır. Bu kanca, aletin her iki yanına da takılabilir.

Kancayı takmak için, onu alet gövdesinin her iki yanındaki oluklardan birine geçirin ve sonra bir vida ile sabitleyin. Çıkarmak için, vidayı gevşetin ve sonra dışarı çekip alın.

Alet askısı

Isteğe bağlı aksesuarlar

▲DİKKAT: Hasarlı alet askısı ve vidayı kullanmayın. Kullanmadan önce daima hasar, çatlak veya deformasyon olup olmadığını kontrol edin ve vidanın sıkılı olduğundan emin olun.

▲DİKKAT: Alet askısını sabit bir masa veya yüzey üzerinde takın veya çıkarın. Yalnızca alet askısı ile verilen vidayı kullanın. Alet askısını taktıktan sonra alet askısının vida ile emniyetli bir şekilde takıldığından emin olun.

▲DİKKAT: Aleti asarken batarya kartuşunu çıkarmayın. Vida sıkılmazsa alet düşebilir.

Alet askısı halat (bağlama kayışı) bağlamak için amaçlanmıştır. Alet askısını alete takmak için aşağıdaki adımları izleyin.

1. Aletten batarya kartuşunu çıkarın.

2. Alet askısını, şekilde gösterildiği gibi aletin altından takın.

► **Şek.30**

3. Alet askısının çıkıntısını aletin sol tarafındaki kanala sokun.

► **Şek.31:** 1. Kanal 2. Çıkıntı

NOT: Alet askısı yalnızca şekilde gösterilen yönde takılabilir.

4. Vidayı iyice sıkın.

► **Şek.32:** 1. Vida

KULLANIM

▲DİKKAT: Çalışırken daima yan kavrama kolunu (yardımcı tutamak) kullanın ve aleti hem yan kavrama kolundan hem de anahtar kabzasından sıkıca kavrayın.

▲DİKKAT: Çalışmaya başlamadan önce iş parçasının sabitlenmiş olduğundan daima emin olun.

▲DİKKAT: Uç sıkışsa bile aleti zorlayarak çekmeyin. Kontrol kaybı yaralanmaya neden olabilir.

▲DİKKAT: Toz toplama sistemi sadece beton delme işlemi için tasarlanmıştır. Toz toplama sistemini metal veya tahta delme işlemi için kullanmayın.

▲DİKKAT: Aleti toz toplama sistemi ile kullanırken toz solunmayı engellemek için toz toplama sistemine mutlaka filtre takın.

▲DİKKAT: Toz toplama sistemini kullanmadan önce filtrenin hasarlı olmadığını kontrol edin. Aksi takdirde toz solunmasına neden olabilir.

▲DİKKAT: Toz toplama sistemi üretilen tozu makul bir oranda toplar, ancak tozun tamamı toplanamayabilir.

ÖNEMLİ NOT: Toz toplama sistemini karotla delme veya yontma işlemi için kullanmayın.


ÖNEMLİ NOT: Toz toplama sistemini yaş beton delme işlemi için veya ıslak ortamda kullanmayın. Aksi takdirde arızaya neden olabilir.

NOT: Batarya kartuşunun sıcaklığı düşük olduğunda, aletten tam verim alınamayabilir. Bu durumda, aletten tam verim alabilmek için aleti yüksüz olarak bir müddet çalıştırıp batarya kartuşunu ısıtın.

► **Şek.33**

Darbeli matkap işleyişi

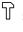
⚠DİKKAT: Delik delme sırasında delik talaşlar ya da parçacıklarla tıkanıyor ya da betona gömülü betonarme demirlerine çarpıldığı zaman, alet/matkap ucu üstüne çok büyük ve ani bir burulma kuvveti etki eder. **Çalışırken daima yan kavrama kolunu (yardımcı tutamak) kullanın ve aleti hem yan kavrama kolundan hem de anahtar kabzasından sıkıca kavrayın.** Bunu yapmazsanız aletin kontrolünü kaybedebilir ve ciddi şekilde yaralanmaya neden olabilirsiniz.

Eylem modu değiştirme düğmesini  simbolüne ayarlayın. Matkap ucunu delmek istediğiniz noktaya yerleştirin ve ardından anahtar tetiği çekin. Aleti zorlamayın. En iyi sonucu almak için hafif bir basınç uygulamanız yeterlidir. Aletin konumunu koruyun ve deliğin dışına kaymasını önleyin.

Delik talaş ya da parçacıklardan dolayı tıkanırsa daha fazla basınç uygulamayın. Bunun yerine aleti rölantide çalıştırın ve ardından matkap ucunu kısmen delikten çıkarın. Bunu birkaç kez tekrarladığınızda delik temizler ve normal delme işlemine devam edilebilir.

NOT: Alet yüksüz olarak çalıştığında matkap ucunun dönüşünde merkezden sapma meydana gelebilir. Kullanım sırasında alet otomatik olarak konumu düzeltir. Delme işleminin kesinliği etkilenmez.

Yontma/Raspalama/Kırma

Eylem modu değiştirme düğmesini  simbolüne ayarlayın.

Aleti iki elle sıkıca tutun. Aleti çalıştırın ve tepme yapmadan kontrollü bir şekilde kullanılması için hafif bir basınç uygulayın.

Alete çok fazla bastırmak daha verimli bir kullanım sağlamaz.

► **Şek.34**

Tahta veya metal delme

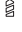
⚠DİKKAT: Matkap ucu, iş parçasını delip çıkarmaya başladığında aleti sıkı tutun ve dikkat sarf edin. Deliğin açılması sırasında alet/matkap ucu üzerine çok büyük güç uygulanır.

⚠DİKKAT: Sıkışan bir matkap ucu, aleti ters yöne döndürerek kolayca çıkartılabilir. Fakat bu durumda aleti sıkıca tutmak gerekir, aksi halde alet darbe ile aniden elden çıkabilir.

⚠DİKKAT: İş parçalarını daima bir mengene ya da benzer sıkıştırma aygıtlarıyla sabitleyin.

ÖNEMLİ NOT: Matkap mandreni aletin üzerine takılı olduğunda "kırmalı dönüş" özelliğini asla kullanmayın. Matkap mandreni zarar görebilir. Ayrıca, alet ters dönerken matkap mandreni yerinden çıkar.

ÖNEMLİ NOT: Alete aşırı baskı yapıldığında delme işlemi hızlanmayacaktır. Aşırı baskı matkap ucunun yıpranmasına, alet performansının düşmesine ve aletin kullanım ömrünün kısalmasına yol açacaktır.


Eylem modu değiştirme düğmesini  simbolüne ayarlayın.

Mandren adaptörünü, 1/2"-20 vida monte edilebilen bir anahtarsız matkap mandrenine takın ve daha sonra bunlar alete takın. Takarken, "Matkap ucunun takılması veya çıkarılması" bölümüne başvurun.

► **Şek.35:** 1. Matkap mandreni tertibatı 2. Mandren adaptörü

Elmas karotla delme

ÖNEMLİ NOT: "Kırmalı dönüş" eylem modu kullanılarak elmas karotla delme işlemi gerçekleştirilirse, elmas karot matkap ucu zarar görebilir.

Elmas karotla delme işlemleri sırasında eylem modu değiştirme kolunu "sadece dönüş" etkisini kullanmak için daima  simbolü konumuna kaydırın.

Filtre üzerindeki tozun vurarak çıkarılması

İsteğe bağlı aksesuarlar

⚠DİKKAT: Toz kutusu toz toplama sisteminde çıkarılmışken toz kutusu üzerindeki kadranı çevirmeyin. Böyle yapılması toz solunmasına neden olabilir.

⚠DİKKAT: Toz kutusu üzerindeki kadranı çevirirken aleti daima kapatın. Alet çalışırken kadranın çevrilmesi aletin kontrolünün kaybedilmesine neden olabilir.

Toz kutusunun içindeki filtre üzerindeki tozu vurarak çıkarmak suretiyle vakum etkisini koruyabilir ve tozu boşaltma sayısını azaltabilirsiniz. Her 50.000 mm³ toz topladıktan sonra veya vakum performansının düştüğünü hissettiğinizde toz kutusu üzerindeki kadranı üç kez çevirin.

NOT: 50.000 mm³ toz, 10 mm çapında ve 65 mm derinliğinde 10 delik (3/8" çapında ve 2" derinliğinde 14 delik) açmaya denk gelir.

► **Şek.36:** 1. Toz kutusu 2. Kadran

Tozun atılması

İsteğe bağlı aksesuarlar

⚠DİKKAT: Alet üzerinde herhangi bir iş yapmadan önce aletin kapalı ve batarya kartuşunun ayrılmış olduğundan daima emin olun.

⚠ DİKKAT: Tozu atarken mutlaka toz maskesi takın.

⚠ DİKKAT: Toz kutusunu düzenli olarak, toz kutusu dolmadan önce boşaltın. Aksi davranış toz toplama performansını düşürebilir ve tozun solunmasına neden olabilir.

⚠ DİKKAT: Toz toplama performansı, toz kutusundaki filtre tıkanırsa düşer. Bir rehber olarak yaklaşık 200 toz toplama işleminin ardından filtreyi yenisi ile değiştirin. Aksi takdirde toz solunmasına neden olabilir.

1. Toz kutusunun kolunu aşağı bastırarak toz kutusunu çıkarın.
► **Şek.37:** 1. Kol
2. Toz kutusunun kapağını açın.
► **Şek.38:** 1. Kapak
3. Tozu boşaltın ve daha sonra filtreyi temizleyin.
► **Şek.39**

ÖNEMLİ NOT: Filtreyi temizlerken filtreye fırça veya benzeri bir cisimle dokunmayın ya da filtrenin üzerine basınçlı hava üfleme. Filtreye zarar verebilir.

Toz üfleme aparatı

İsteğe bağlı aksesuarlar

Deligi deldikten sonra, deliğin içindeki tozu temizlemek için toz üfleme aparatını kullanın.

► **Şek.40**

Toz başlığı setinin kullanılması

İsteğe bağlı aksesuarlar

Aleti kullanırken toz başlığı setini tavana yerleştirin.

► **Şek.41**

ÖNEMLİ NOT: Toz başlığı setini metal veya benzeri materyal üzerinde delme işlemi yaparken kullanmayın. Küçük metal tozu veya benzeri taraftan üretilen ısıdan dolayı, toz başlığı setine zarar verebilir.

ÖNEMLİ NOT: Alete matkap ucu takılı iken toz başlığı setini takmayın veya çıkarmayın. Toz başlığı setine zarar verebilir ve toz sızıntısına neden olabilir.

Halatın (bağlama kayışı) alet askısına bağlanması

⚠ Yüksekte kullanıma özel güvenlik uyarıları
Tüm güvenlik uyarılarını ve talimatları okuyun. Uyarıların ve talimatların izlenmemesi ciddi yaralanmaya yol açabilir.

1. “Yüksekte” çalışırken aleti her zaman bağlı tutun. Maksimum halat uzunluğu 2 m’dir.
2. Yalnızca bu alet türüne uygun ve taşıma kapasitesi en az 4,5 kg olan halatlarla kullanın.
3. Alet halatını vücudunuzdaki hiçbir şeye veya hareketli parçalara bağlamayın. Alet halatını, düşen bir aletin kuvvetlerine dayanabilecek sabit bir yapıya bağlayın.

4. Kullanmadan önce halatın iki ucunun da uygun şekilde tutturulduğunu kontrol edin.
5. Her kullanımdan önce aleti ve halatı (örgü ve dikiş dahil) hasar ve uygun çalışma açısından kontrol edin. Hasarlı ise veya düzgün çalışmıyorsa kullanmayın.
6. Halatları keskin veya pürüzlü kenarların etrafına sarmayın veya bunlara temas etmesine izin vermeyin.
7. Halatın diğer ucunu, düşen alet güvenli bir şekilde tutulacak şekilde çalışma alanının dışına bağlayın.
8. Halatı, alet düştüğünde operatörden uzaklaşacak şekilde bağlayın. Düşen aletler halatın ucunda sallanır, bu durum yaralanmaya veya denge kaybına neden olabilir.
9. Hareketli parçaların veya çalışan makinelerin yakınında kullanmayın. Aksi takdirde parçalanma veya takılma tehlikesine neden olabilir.
10. Aleti bağlantı aygıtından veya halattan taşımayın.
11. Aleti yalnızca ellerinizin arasında, denge tam iken aktarın.
12. Halatları alete, anahtarların veya tetik kilitleme düğmesinin (varsa) düzgün çalışmasını engelleyecek şekilde takmayın.
13. Halata takılmaktan sakının.
14. Halatı aletin delme alanından uzak tutun.
15. Çok işlemlili tip ve vidalı tip karabinalar kullanın. Tek işlemlili yaylı karabinalar kullanmayın.
16. Aletin düşmesi durumunda alet etiketlenmeli ve servis dışı bırakılmalıdır; Makita fabrikası veya yetkili servis merkezi tarafından kontrol edilmelidir.

► **Şek.42:** 1. Alet askısı 2. Halat (bağlama kayışı)

KABLOSUZ ÇALIŞTIRMA İŞLEVİ

İsteğe bağlı aksesuarlar

Kablosuz çalıştırma işlevi ile yapabilecekleriniz

Kablosuz çalıştırma işlevi temiz ve rahat kullanım sağlar. Alete desteklenen bir elektrikli süpürge bağlayarak elektrikli süpürgeyi aletin anahtarla çalıştırılması ile birlikte çalıştırabilirsiniz.

► **Şek.43**

Kablosuz çalıştırma işlevini kullanmak için aşağıdaki unsurları hazırlayın:

- Bir kablosuz ünitesi (isteğe bağlı aksesuar)
- Kablosuz çalıştırma işlevini destekleyen bir elektrikli süpürge

Kablosuz çalıştırma işlevi ayarına genel bakış aşağıda verilmiştir. Ayrıntılı işlemler için her bir kısma bakın.

1. Kablosuz ünitesinin takılması
2. Elektrikli süpürge için alet kaydı
3. Kablosuz çalıştırma işlevinin başlatılması

Kablosuz ünitesinin takılması

İsteğe bağlı aksesuar

⚠ DİKKAT: Kablosuz ünitesini takarken aleti düz ve dengeli bir zemine yerleştirin.

ÖNEMLİ NOT: Kablosuz ünitesini takmadan önce aletin üzerindeki toz ve kiri temizleyin. Toz veya kir, kablosuz ünitesinin yuvasına girerse arızaya neden olabilir.

ÖNEMLİ NOT: Statik elektrik kaynaklı arızaları engellemek için kablosuz ünitesini almadan önce aletin metal kısmı gibi statik deşarj özellikli bir materyale dokununuz.

ÖNEMLİ NOT: Kablosuz ünitesini takarken kablosuz ünitesinin doğru yönde sokulduğundan ve kapağın tamamen kapatıldığından mutlaka emin olun.

1. Aletin üzerindeki kapağı şekilde gösterildiği gibi açın.

► **Şek.44:** 1. Kapak

2. Kablosuz ünitesini yuvaya sokun ve daha sonra kapağı kapatın.

Kablosuz ünitesini sokarken çıkıntıları yuva üzerindeki girintili kısımlarla hizalayın.

► **Şek.45:** 1. Kablosuz ünitesi 2. Çıkıntı 3. Kapak 4. Girintili kısım

Kablosuz ünitesini çıkarırken kapağı yavaşça açın. Kapağın arka kısmındaki kancalar, kapağı yukarı çektiğinizde kablosuz ünitesini kaldıracaktır.

► **Şek.46:** 1. Kablosuz ünitesi 2. Kanca 3. Kapak

Kablosuz ünitesini çıkardıktan sonra ürünle verilen kutusunda veya anti-statik bir kaptaki saklayın.

ÖNEMLİ NOT: Kablosuz ünitesini çıkarırken daima kapağın arka kısmındaki kancaları kullanın. Kancalar kablosuz ünitesini yakalamazsa kapağı tamamen kapatın ve yavaşça tekrar açın.

Elektrikli süpürge için alet kaydı

NOT: Alet kaydı için kablosuz çalıştırma işlevini destekleyen bir Makita elektrikli süpürge gerekir.

NOT: Alet kaydına başlamadan önce kablosuz ünitesini alete takmayı bitirin.

NOT: Alet kaydı sırasında anahtar tetiği çekmeyin veya elektrikli süpürge üzerindeki güç düğmesini açmayın.

NOT: Elektrikli süpürge kullanma kılavuzuna da bakın.

Elektrikli süpürgeyi aletin anahtarla çalıştırılması ile birlikte çalıştırmak isterseniz önceden alet kaydını tamamlayın.

1. Elektrikli süpürge ve alete bataryaları takın.

2. Elektrikli süpürge üzerindeki bekleme düğmesini "AUTO" konumuna alın.

► **Şek.47:** 1. Bekleme düğmesi

3. Kablosuz çalıştırma lambası yeşil yanıp sönene kadar elektrikli süpürge üzerindeki kablosuz çalıştırma düğmesine 3 saniye süreyle basın. Daha sonra aletin üzerindeki kablosuz çalıştırma düğmesine aynı şekilde basın.

► **Şek.48:** 1. Kablosuz çalıştırma düğmesi
2. Kablosuz çalıştırma lambası

Elektrikli süpürge ve alet başarıyla birbirlerine bağlanırsa kablosuz çalıştırma lambaları 2 saniye süreyle yeşil yanar ve mavi yanıp sönmeye başlar.

NOT: Kablosuz çalıştırma lambaları 20 saniye geçtikten sonra yeşil yanıp sönmeyi keser. Süpürge üzerindeki kablosuz çalıştırma lambası yanıp sönen aletin üzerindeki kablosuz çalıştırma düğmesine basın. Kablosuz çalıştırma lambası yeşil yanıp sönmeye kablosuz çalıştırma düğmesine kısa süreli basın ve tekrar basılı tutun.

NOT: Tek bir elektrikli süpürge için iki veya daha fazla alet kaydı yaparken alet kaydını birer birer tamamlayın.

Kablosuz çalıştırma işlevinin başlatılması

NOT: Kablosuz çalıştırma öncesinde elektrikli süpürge için alet kaydını tamamlayın.

NOT: Elektrikli süpürge kullanma kılavuzuna da bakın.

Elektrikli süpürgeye bir aleti kaydettikten sonra elektrikli süpürge, aletin anahtarla çalıştırılması ile birlikte otomatik olarak çalışır.

1. Kablosuz ünitesini alete takın.

2. Elektrikli süpürgeyi hortumunu alete bağlayın.

► **Şek.49**

3. Elektrikli süpürge üzerindeki bekleme düğmesini "AUTO" konumuna alın.

► **Şek.50:** 1. Bekleme düğmesi

4. Aletin üzerindeki kablosuz çalıştırma düğmesine kısa süreyle basın. Kablosuz çalıştırma lambası mavi yanıp söner.

► **Şek.51:** 1. Kablosuz çalıştırma düğmesi
2. Kablosuz çalıştırma lambası

5. Aletin anahtar tetiğini çekin. Anahtar tetik çekilirken elektrikli süpürgeyi çalıştırdığını kontrol edin.

Elektrikli süpürgeyi kablosuz çalıştırmasını durdurmak için alet üzerindeki kablosuz çalıştırma düğmesine basın.

NOT: Alet üzerindeki kablosuz çalıştırma lambası, 2 saat süreyle işlem yapılmazsa mavi yanıp sönmeyi keser. Bu durumda elektrikli süpürge üzerindeki bekleme düğmesini "AUTO" konumuna alın ve alet üzerindeki kablosuz çalıştırma düğmesine tekrar basın.

NOT: Elektrikli süpürge bir gecikmeyle başlar/durur. Elektrikli süpürge, aletin anahtarla çalıştırıldığını algıladığında bir gecikme söz konusu olur.










NOT: Kablosuz ünitesinin iletim mesafesi konum ve çevre şartlarına bağlı olarak değişebilir.

NOT: Tek bir elektrikli süpürgeye iki veya daha fazla alet kaydedildiğinde başka bir kullanıcı kablosuz çalıştırma işlevini kullandığından anahtar tetiği çekmeseniz bile elektrikli süpürge çalışmaya başlayabilir.

Kablosuz çalıştırma lambası durumunun açıklanması

► Şek.52: 1. Kablosuz çalıştırma lambası

Kablosuz çalıştırma lambası kablosuz çalıştırma işlevinin durumunu gösterir. Lamba durumunun anlamı için aşağıdaki tabloya bakın.

Durum	Kablosuz çalıştırma lambası				Açıklama
	Renk	 Kapalı	 Yanıp sönmüyor	Süre	
Beklemede	Mavi			2 saat	Elektrikli süpürge için kablosuz çalıştırılması kullanılabilir. 2 saat süreyle işlem yapılmazsa lamba otomatik olarak söner.
				Alet çalışırken.	Elektrikli süpürge için kablosuz çalıştırılması kullanılabilir ve alet çalışıyor.
Alet kaydı	Yeşil			20 saniye	Alet kaydı için hazır. Elektrikli süpürge tarafından alet kaydı bekleniyor.
				2 saniye	Alet kaydı tamamlandı. Kablosuz çalıştırma lambası mavi yanıp sönmeye başlar.
Alet kaydının iptal edilmesi	Kırmızı			20 saniye	Alet kaydının iptali için hazır. Elektrikli süpürge tarafından iptal bekleniyor.
				2 saniye	Alet kaydı iptali tamamlandı. Kablosuz çalıştırma lambası mavi yanıp sönmeye başlar.
Diğer	Kırmızı			3 saniye	Kablosuz ünitesine güç besleniyor ve kablosuz çalıştırma işlevi başlıyor.
	Kapalı	-	-	-	Elektrikli süpürge için kablosuz çalıştırılması durduruldu.

Elektrikli süpürge için alet kaydının iptal edilmesi

Elektrikli süpürge için alet kaydını iptal ederken aşağıdaki prosedürü uygulayın.

1. Elektrikli süpürge ve alete bataryaları takın.
 2. Elektrikli süpürge üzerindeki bekleme düğmesini "AUTO" konumuna alın.
- Şek.53: 1. Bekleme düğmesi
3. Elektrikli süpürge üzerindeki kablosuz çalıştırma düğmesine 6 saniye süreyle basın. Kablosuz çalıştırma lambası yeşil yanıp söner ve daha sonra kırmızı olur. Ondan sonra aletin üzerindeki kablosuz çalıştırma düğmesine aynı şekilde basın.

- Şek.54: 1. Kablosuz çalıştırma düğmesi
2. Kablosuz çalıştırma lambası

İptal başarıyla yapılırsa kablosuz çalıştırma lambaları 2 saniye süreyle kırmızı yanar ve mavi yanıp sönmeye başlar.

NOT: Kablosuz çalıştırma lambaları 20 saniye geçtikten sonra kırmızı yanıp sönmeyi keser. Süpürge üzerindeki kablosuz çalıştırma lambası yanıp sönerken aletin üzerindeki kablosuz çalıştırma düğmesine basın. Kablosuz çalıştırma lambası kırmızı yanıp sönmeye başlarsa kablosuz çalıştırma düğmesine kısa süreli basın ve tekrar basılı tutun.

Kablosuz çalıştırma işlevi için sorun giderme

Onarım için servise gitmeden önce kontrolleri yapın. Kılavuzda açıklanmayan bir problemle karşılaşırsanız aleti demonte etmeyin. Bunun yerine, Makita Yetkili Servis Merkezlerine başvurun ve daima orijinal Makita yedek parçaları kullanın.

Anormal durum	Olası nedeni (arıza)	Çözümü
Kablosuz çalıştırma lambası yanmıyor/yanıp sönmüyor.	Kablosuz ünitesi alete takılmamış. Kablosuz ünitesi alete hatalı takılmış.	Kablosuz ünitesini doğru takın.
	Kablosuz ünitesinin terminali ve/veya yuva kirlidir.	Kablosuz ünitesinin terminalindeki tozu ve kiri hafifçe silin ve yuvayı temizleyin.
	Aletin üzerindeki kablosuz çalıştırma düğmesine basılmamış.	Aletin üzerindeki kablosuz çalıştırma düğmesine kısa süreyle basın.
	Elektrikli süpürge üzerindeki bekleme düğmesi "AUTO" konumuna alınmamış.	Elektrikli süpürge üzerindeki bekleme düğmesini "AUTO" konumuna alın.
	Güç beslemesi yok	Alete ve elektrikli süpürgeye güç besleyin.
Alet kaydı / alet kaydı iptali başarıyla tamamlanmıyor.	Kablosuz ünitesi alete takılmamış. Kablosuz ünitesi alete hatalı takılmış.	Kablosuz ünitesini doğru takın.
	Kablosuz ünitesinin terminali ve/veya yuva kirlidir.	Kablosuz ünitesinin terminalindeki tozu ve kiri hafifçe silin ve yuvayı temizleyin.
	Elektrikli süpürge üzerindeki bekleme düğmesi "AUTO" konumuna alınmamış.	Elektrikli süpürge üzerindeki bekleme düğmesini "AUTO" konumuna alın.
	Güç beslemesi yok	Alete ve elektrikli süpürgeye güç besleyin.
	Hatalı çalışma	Kablosuz çalıştırma düğmesine kısa süreyle basın ve alet kaydı/iptal prosedürlerini yeniden uygulayın.
	Alet ve elektrikli süpürge birbirlerinden uzakta (iletim aralığının dışında).	Aleti ve elektrikli süpürgeyi birbirlerine yaklaştırın. Maksimum iletim mesafesi yaklaşık 10 m'dir, ancak şartlara bağlı olarak değişebilir.
	Alet kaydını/iptalini tamamlamadan önce; - Alet üzerindeki anahtar tetik çekilmiş veya; - Elektrikli süpürge üzerindeki güç düğmesine basılmış.	Kablosuz çalıştırma düğmesine kısa süreyle basın ve alet kaydı/iptal prosedürlerini yeniden uygulayın.
	Alet veya elektrikli süpürge için alet kaydı prosedürleri tamamlanmamış.	Alet ve elektrikli süpürge için alet kaydı prosedürlerini aynı zamanda uygulayın.
	Yüksek güçte radyo dalgaları üreten diğer cihazlardan radyo paraziti.	Aleti ve elektrikli süpürgeyi, Wi-Fi cihazları ve mikro-dalga fırınlar gibi cihazlardan uzak tutun.
Elektrikli süpürge, aletin anahtarla çalıştırılması ile birlikte çalışmıyor.	Kablosuz ünitesi alete takılmamış. Kablosuz ünitesi alete hatalı takılmış.	Kablosuz ünitesini doğru takın.
	Kablosuz ünitesinin terminali ve/veya yuva kirlidir.	Kablosuz ünitesinin terminalindeki tozu ve kiri hafifçe silin ve yuvayı temizleyin.
	Aletin üzerindeki kablosuz çalıştırma düğmesine basılmamış.	Kablosuz çalıştırma düğmesine kısa süreli basın ve kablosuz çalıştırma lambasının mavi yanıp söndüğünü kontrol edin.
	Elektrikli süpürge üzerindeki bekleme düğmesi "AUTO" konumuna alınmamış.	Elektrikli süpürge üzerindeki bekleme düğmesini "AUTO" konumuna alın.
	Elektrikli süpürgeye 10'dan fazla alet kayıtlı.	Alet kaydını yeniden yapın. Elektrikli süpürgeye 10'dan fazla alet kayıtlı ise ilk önce kaydedilen alet otomatik olarak iptal edilir.
	Elektrikli süpürge tüm alet kayıtlarını silmiş.	Alet kaydını yeniden yapın.
	Güç beslemesi yok	Alete ve elektrikli süpürgeye güç besleyin.
	Alet ve elektrikli süpürge birbirlerinden uzakta (iletim aralığının dışında).	Aleti ve elektrikli süpürgeyi birbirlerine yaklaştırın. Maksimum iletim mesafesi yaklaşık 10 m'dir, ancak şartlara bağlı olarak değişebilir.
	Yüksek güçte radyo dalgaları üreten diğer cihazlardan radyo paraziti.	Aleti ve elektrikli süpürgeyi, Wi-Fi cihazları ve mikro-dalga fırınlar gibi cihazlardan uzak tutun.
Elektrikli süpürge, aletin anahtar tetiği çekilmeden çalışıyor.	Diğer kullanıcılar, elektrikli süpürge için kablosuz çalıştırılmasını kendi aletleriyle kullanıyor.	Diğer aletlerin kablosuz çalıştırma düğmesini kapatın veya diğer aletlerin alet kaydını iptal edin.

BAKIM

⚠ DİKKAT: Muayene ya da bakım yapmadan önce aletin kapalı ve batarya kartuşunun çıkartılmış olduğundan daima emin olun.

ÖNEMLİ NOT: Benzin, tiner, alkol ve benzeri maddeleri kesinlikle kullanmayın. Renk değişimi, deformasyon veya çatlaklar oluşabilir.

Aleti EMNİYETLİ ve ÇALIŞMAYA HAZIR durumda tutmak için onarımlar, başka her türlü bakım ve ayarlamalar daima Makita yedek parçaları kullanılarak Makita yetkili servis merkezleri veya Fabrikanın Servis Merkezleri tarafından yapılmalıdır.

Toz kutusunun filtresinin değiştirilmesi

İsteğe bağlı aksesuarlar

1. Toz kutusunun kolunu aşağı bastırarak toz kutusunu çıkarın.
► **Şek.55:** 1. Kol
2. Filtre kapağının deliklerine düz tornavida sokarak filtre kapağını çıkarın.
► **Şek.56:** 1. Düz tornavida 2. Filtre kapağı
3. Filtreyi filtre mahfazasından çıkarın.
► **Şek.57:** 1. Filtre 2. Filtre mahfazası
4. Filtre mahfazasına yeni bir filtre takın ve daha sonra filtre kapağını takın.
5. Toz kutusunun kapağını kapatın ve daha sonra toz kutusunu toz toplama sistemine takın.

Sızdırmazlık başlığının değiştirilmesi

İsteğe bağlı aksesuarlar

- Sızdırmazlık başlığı eskirse toz toplama performansı düşer. Eskirse değiştirin.
Sızdırmazlık başlığını çıkarın ve daha sonra çıkıntısı yukarı gelecek şekilde yenisini takın.
► **Şek.58:** 1. Çıkıntı 2. Sızdırmazlık başlığı

İSTEĞE BAĞLI AKSESUARLAR

⚠ DİKKAT: Bu aksesuarlar ve ek parçalar bu el kitabında belirtilen Makita aletiniz ile kullanılmak için tavsiye edilmektedir. Herhangi başka bir aksesuar ya da ek parça kullanılması insanlar için bir yaralanma riski getirebilir. Aksesuarları ya da ek parçaları yalnızca belirtilmiş olan kullanım amaçlarına uygun olarak kullanın.

Bu aksesuarlarla ilgili daha fazla bilgiye ihtiyaç duyar-sanız bulunduğunuz yerdeki yetkili Makita servisine başvurun.

- Karbür matkap uçları (SDS-plus karbür matkap uçları)
- Karot matkap ucu
- Sivri keski
- Elmas karot matkap ucu
- Soğuk keski
- Yassı keski
- Kanal açma keskisi
- Mandren adaptörü
- Anahtarsız matkap mandreni
- Uç gresi
- Derinlik mastarı
- Toz üfleme aparatı
- Toz başlığı
- Toz başlığı seti
- Toz toplama sistemi
- Kablosuz ünitesi
- Kanca
- Alet askısı
- Orijinal Makita batarya ve şarj aleti
- Koruyucu gözlük
- Plastik taşıma çantası

NOT: Listedeki parçaların bazıları alet paketi içerisinde standart aksesuar olarak dahil edilmiş olabilir. Bunlar ülkeden ülkeye farklılık gösterebilir.

Makita Europe N.V. Jan-Baptist Vinkstraat 2,
3070 Kortenberg, Belgium

Makita Corporation 3-11-8, Sumiyoshi-cho,
Anjo, Aichi 446-8502 Japan

www.makita.com

885674B993
EN, FR, DE, IT, NL,
ES, PT, DA, EL, TR
20181218