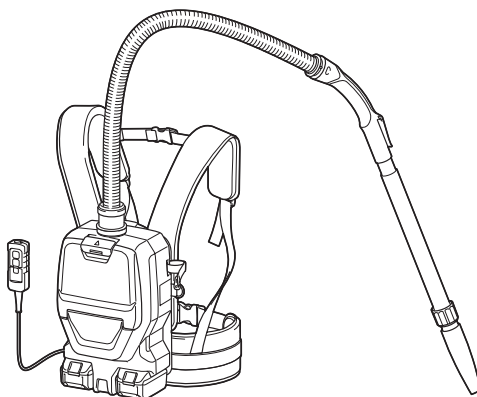
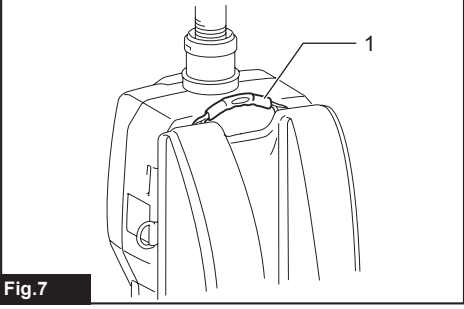
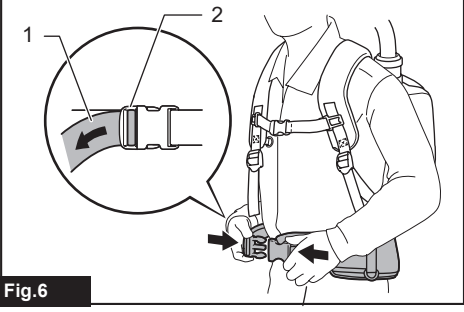
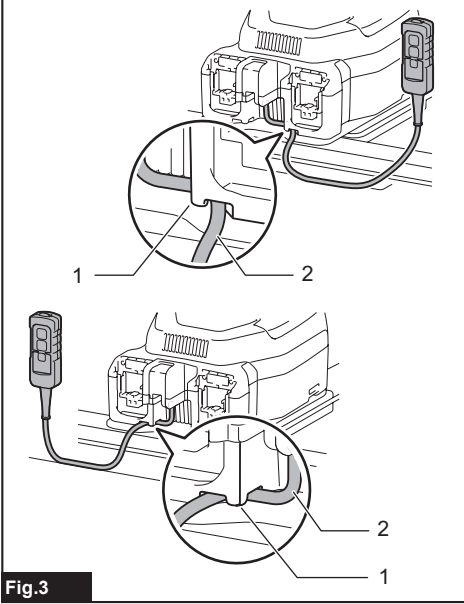
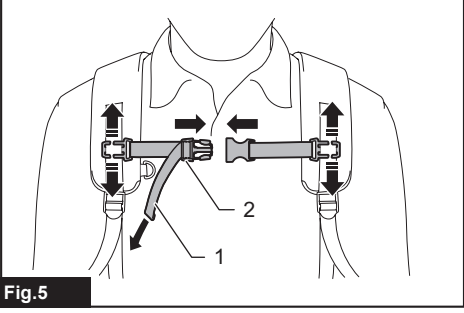
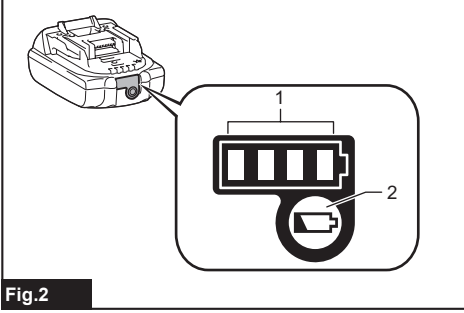
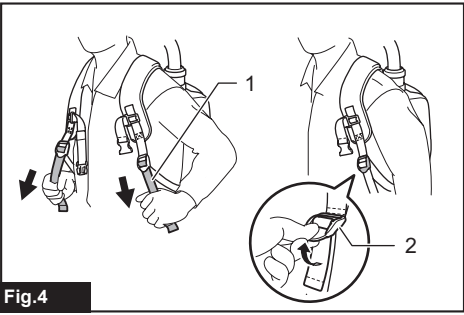
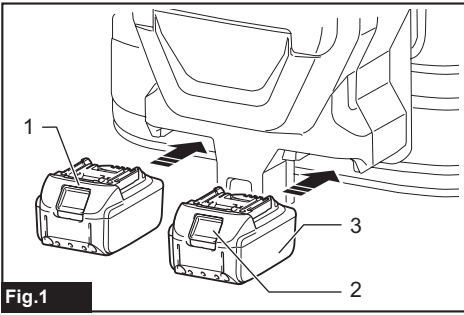




EN	Cordless Backpack Vacuum Cleaner	INSTRUCTION MANUAL	6
FR	Aspirateur dorsal sans fil	MANUEL D'INSTRUCTIONS	12
DE	Akku-Rucksackstaubsauger	BETRIEBSANLEITUNG	19
IT	Aspirapolvere spalleggiato a batteria	ISTRUZIONI PER L'USO	26
NL	Ruggedragen accustofzuiger	GEBRUIKSAANWIJZING	33
ES	Aspiradora de mochila a batería	MANUAL DE INSTRUCCIONES	40
PT	Aspirador Costal a Bateria	MANUAL DE INSTRUÇÕES	47
DA	Akku rygstøvsuger	BRUGSANVISNING	53
EL	Φορητή μηχανή αναρρόφησης πλάτης	ΕΓΧΕΙΡΙΔΙΟ ΟΔΗΓΙΩΝ	59
TR	Akülü Sırt Süpürgesi	KULLANMA KILAVUZU	66

DVC260





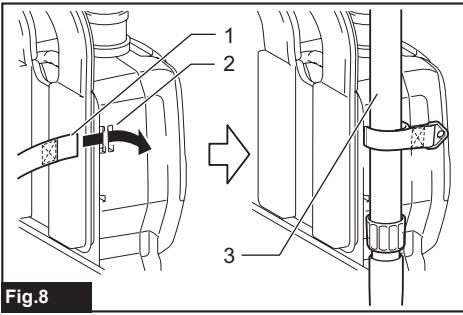


Fig.8

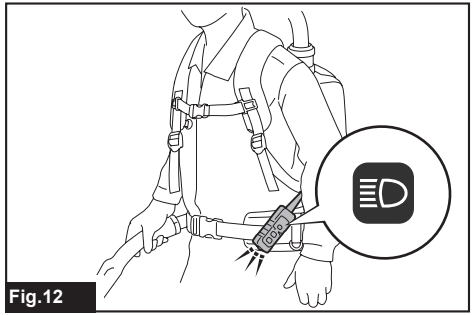


Fig.12

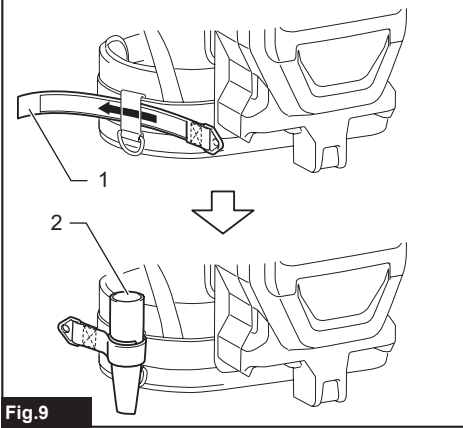


Fig.9

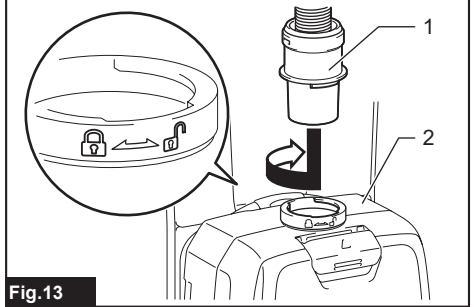


Fig.13

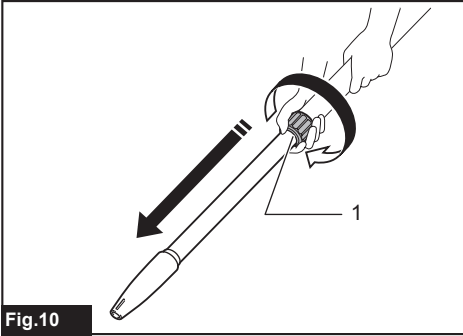


Fig.10

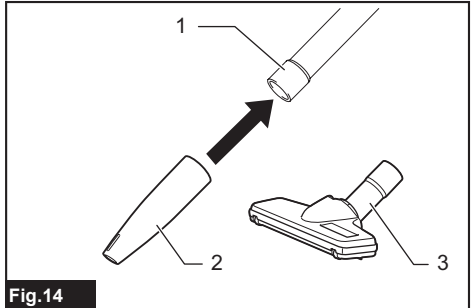


Fig.14

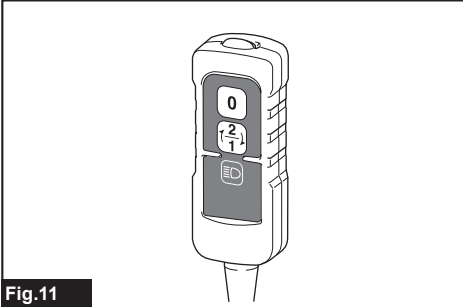


Fig.11

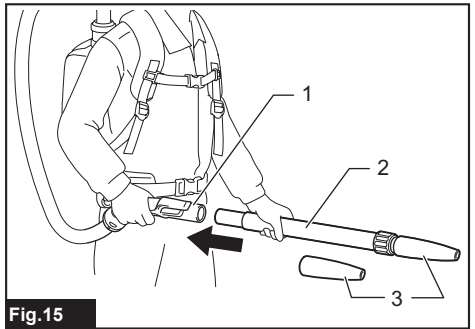


Fig.15

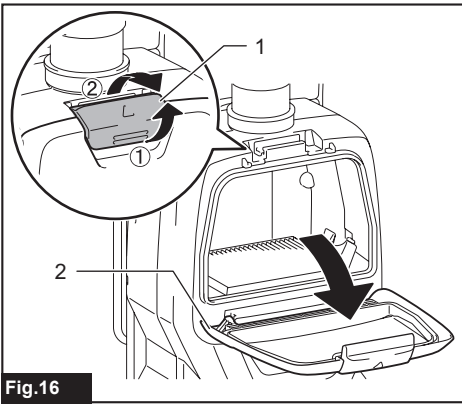


Fig. 16

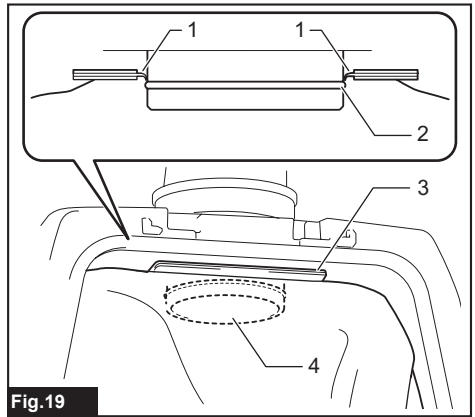


Fig. 19

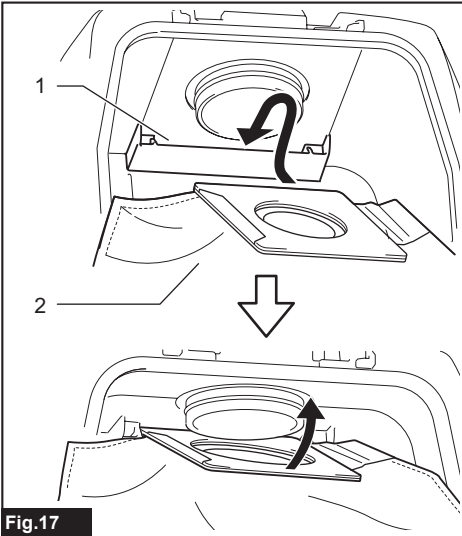


Fig. 17

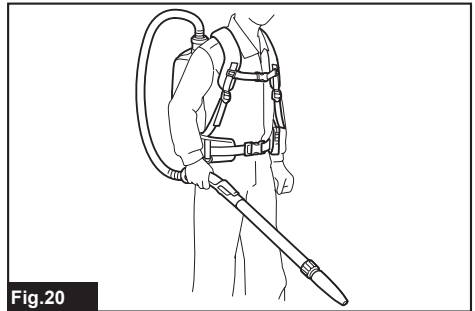


Fig. 20

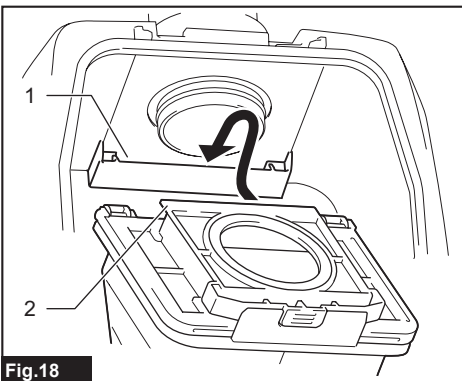


Fig. 18

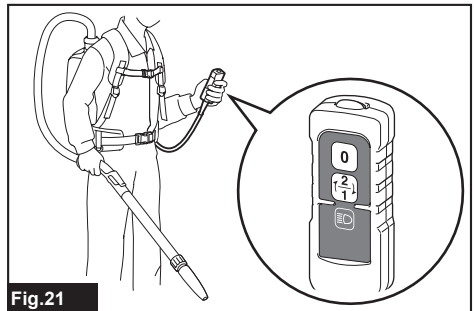


Fig. 21

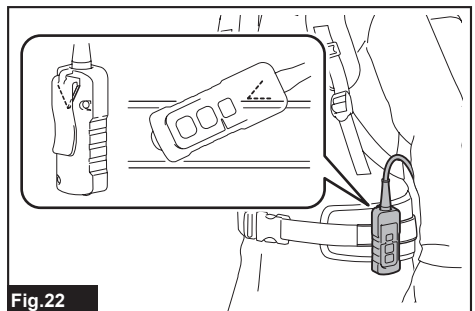
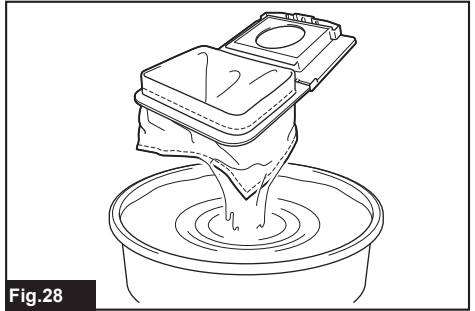
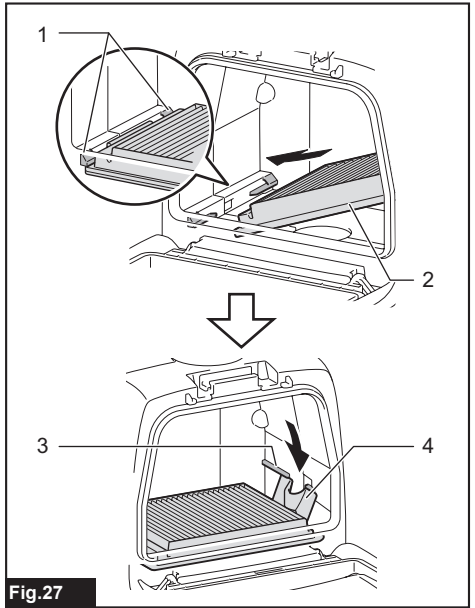
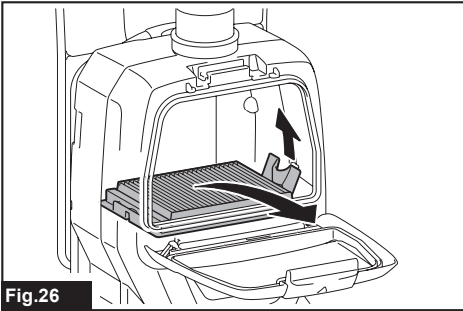
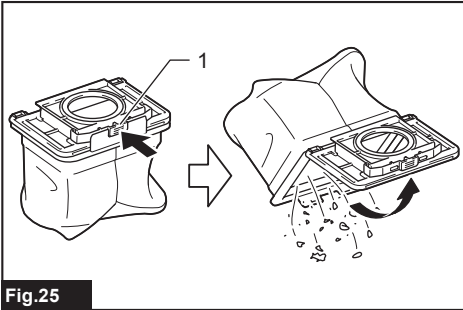
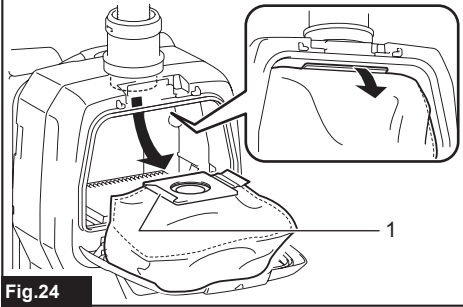
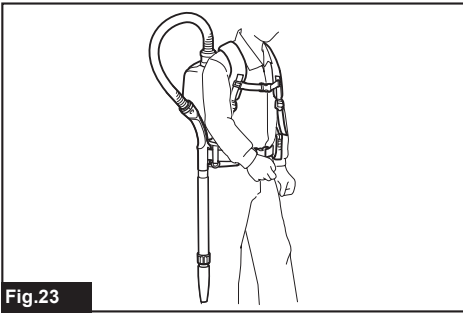


Fig. 22



SPECIFICATIONS

Model:		DVC260
Capacity	Filter bag	2.0 L
	Dust bag	1.5 L
Maximum air volume		1.5 m ³ /min
Dimensions (L x W x H) (excluding the harness)		185 mm x 230 mm x 373 mm
Rated voltage		D.C. 36 V
Standard battery cartridge		BL1815N, BL1820, BL1820B BL1830, BL1830B, BL1840, BL1840B, BL1850, BL1850B, BL1860B
Net weight		3.8 kg 4.3 kg

- Due to our continuing program of research and development, the specifications herein are subject to change without notice.
- Specifications and battery cartridge may differ from country to country.
- Weight, with battery cartridge, according to EPTA-Procedure 01/2003

Symbols

The following show the symbols used for the equipment. Be sure that you understand their meaning before use.



Read instruction manual.



Only for EU countries
Do not dispose of electric equipment or battery pack together with household waste material! In observance of the European Directives, on Waste Electric and Electronic Equipment and Batteries and Accumulators and Waste Batteries and Accumulators and their implementation in accordance with national laws, electric equipment and batteries and battery pack(s) that have reached the end of their life must be collected separately and returned to an environmentally compatible recycling facility.

Intended use

The tool is intended for collecting dry dust. The tool is suitable for commercial use, for example in hotels, schools, hospitals, factories, shops, offices and rental businesses.

Noise

The typical A-weighted noise level determined according to 60332-2-69, 60704-2-1:

Sound pressure level (L_{pA}) : 70 dB(A) or less

Uncertainty (K) : 2.5 dB(A)

The noise level under working may exceed 80 dB (A).

WARNING: Wear ear protection.

Vibration

The vibration total value (tri-axial vector sum) determined according to 60335-2-69:

Work mode: operation without load

Vibration emission (a_h) : 2.5 m/s² or less

Uncertainty (K) : 1.5 m/s²

NOTE: The declared vibration emission value has been measured in accordance with the standard test method and may be used for comparing one tool with another.

NOTE: The declared vibration emission value may also be used in a preliminary assessment of exposure.

WARNING: The vibration emission during actual use of the power tool can differ from the declared emission value depending on the ways in which the tool is used.

WARNING: Be sure to identify safety measures to protect the operator that are based on an estimation of exposure in the actual conditions of use (taking account of all parts of the operating cycle such as the times when the tool is switched off and when it is running idle in addition to the trigger time).

EC Declaration of Conformity

For European countries only

Makita declares that the following Machine(s):

Designation of Machine: Cordless Backpack Vacuum Cleaner

Model No./ Type: DVC260

Conforms to the following European Directives:

2006/42/EC

They are manufactured in accordance with the following standard or standardized documents: EN60335

The technical file in accordance with 2006/42/EC is available from:

Makita, Jan-Baptist Vinkstraat 2, 3070, Belgium



Yasushi Fukaya
Director
Makita, Jan-Baptist Vinkstraat 2, 3070, Belgium

SAFETY WARNINGS

Cordless vacuum cleaner safety warnings

⚠ WARNING: IMPORTANT! READ CAREFULLY all safety warnings and all instructions BEFORE USE. Failure to follow the warnings and instructions may result in electric shock, fire and/or serious injury.

1. Before use, make sure that this cleaner must be used by people who have been adequately instructed on the use of this cleaner.
2. Do not use the cleaner without the filter. Replace a damaged filter immediately.
3. Do not attempt to pick up flammable materials, fire works, lighted cigarettes, hot ashes, hot metal chips, sharp materials such as razors, needles, broken glass or the like.
4. NEVER USE THE CLEANER IN THE VICINITY OF GASOLINE, GAS, PAINT, ADHESIVES OR OTHER HIGHLY EXPLOSIVE SUBSTANCES. The switch emits sparks when turned ON and OFF. And so does the motor commutator during operation. A dangerous explosion may result.
5. Never vacuum up toxic, carcinogenic, combustible or other hazardous materials such as asbestos, arsenic, barium, beryllium, lead, pesticides, or other health endangering materials.
6. Never use the cleaner outdoors in the rain.
7. Do not use close to heat sources (stoves, etc.).
8. Do not block cooling vents. These vents permit cooling of the motor. Blockage should be carefully avoided otherwise the motor will burn out from lack of ventilation.
9. Keep proper footing and balance at all times.
10. Do not fold, tug or step on the hose.
11. Stop the cleaner immediately if you notice poor performance or anything abnormal during operation.
12. DISCONNECT THE BATTERIES. When not in use, before servicing, and when changing accessories.
13. Clean and service the cleaner immediately after each use to keep it in tiptop operating condition.
14. MAINTAIN THE CLEANER WITH CARE. Keep the cleaner clean for better and safer performance. Follow instructions for changing accessories. Keep handles dry, clean, and free from oil and grease.
15. CHECK DAMAGED PARTS. Before further use of the cleaner, a guard or other part that is damaged should be carefully checked to determine that it will operate properly and perform its intended function. Check for alignment of moving parts, binding of moving parts, breakage of parts, mounting, and any other conditions that may affect its operation. A guard or other part that is damaged should be properly repaired or replaced by an authorized service center unless otherwise indicated elsewhere in this instruction manual. Have defective switches replaced by authorized service center. Don't use the cleaner if switch does not turn it on and off.
16. REPLACEMENT PARTS. When servicing, use only identical replacement parts.
17. STORE IDLE CLEANER. When not in use, the cleaner should be stored indoors.
18. Be kind to your cleaner. Rough handling can cause breakage of even the most sturdily built cleaner.
19. Do not attempt to clean the exterior or interior with benzine, thinner or cleaning chemicals. Cracks and discoloration may be caused.
20. Do not use cleaner in an enclosed space where flammable, explosive or toxic vapors are given off by oil-base paint, paint-thinner, gasoline, some mothproofing substances, etc., or in areas where flammable dust is present.
21. Do not operate the cleaner while under the influence of drugs or alcohol.
22. As a basic rule of safety, use safety goggles or safety glasses with side shields.
23. Use a dust mask in dusty work conditions.
24. This machine is not intended for use by persons including children with reduced physical, sensory or mental capabilities, or lack of experience and knowledge.
25. Young children should be supervised to ensure that they do not play with the cleaner.
26. Never handle batteries and cleaner with wet hands.
27. Use extreme caution when cleaning on stairs.
28. Do not use the cleaner as a stool or work bench. The machine may fall down and may result in personal injury.

Service

1. Have your power tool serviced by a qualified repair person using only identical replacement parts. This will ensure that the safety of the power tool is maintained.
2. Follow instruction for lubricating and changing accessories.
3. Keep handles dry, clean and free from oil and grease.

Important safety instructions for battery cartridge

1. Before using battery cartridge, read all instructions and cautionary markings on (1) battery charger, (2) battery, and (3) product using battery.
2. Do not disassemble battery cartridge.

3. If operating time has become excessively shorter, stop operating immediately. It may result in a risk of overheating, possible burns and even an explosion.
4. If electrolyte gets into your eyes, rinse them out with clear water and seek medical attention right away. It may result in loss of your eyesight.
5. Do not short the battery cartridge:
 - (1) Do not touch the terminals with any conductive material.
 - (2) Avoid storing battery cartridge in a container with other metal objects such as nails, coins, etc.
 - (3) Do not expose battery cartridge to water or rain.

A battery short can cause a large current flow, overheating, possible burns and even a breakdown.

6. Do not store the tool and battery cartridge in locations where the temperature may reach or exceed 50 °C (122 °F).
7. Do not incinerate the battery cartridge even if it is severely damaged or is completely worn out. The battery cartridge can explode in a fire.
8. Be careful not to drop or strike battery.
9. Do not use a damaged battery.
10. The contained lithium-ion batteries are subject to the Dangerous Goods Legislation requirements. For commercial transports e.g. by third parties, forwarding agents, special requirement on packaging and labeling must be observed. For preparation of the item being shipped, consult an expert for hazardous material is required. Please also observe possibly more detailed national regulations. Tape or mask off open contacts and pack up the battery in such a manner that it cannot move around in the packaging.
11. Follow your local regulations relating to disposal of battery.

SAVE THESE INSTRUCTIONS.

CAUTION: Only use genuine Makita batteries. Use of non-genuine Makita batteries, or batteries that have been altered, may result in the battery bursting causing fires, personal injury and damage. It will also void the Makita warranty for the Makita tool and charger.

Tips for maintaining maximum battery life

1. Charge the battery cartridge before completely discharged. Always stop tool operation and charge the battery cartridge when you notice less tool power.
2. Never recharge a fully charged battery cartridge. Overcharging shortens the battery service life.
3. Charge the battery cartridge with room temperature at 10 °C - 40 °C (50 °F - 104 °F). Let a hot battery cartridge cool down before charging it.
4. Charge the battery cartridge if you do not use it for a long period (more than six months).

FUNCTIONAL DESCRIPTION

CAUTION: Always be sure that the tool is switched off and the battery cartridge is removed before adjusting or checking function on the tool.

Installing or removing battery cartridge

CAUTION: Always switch off the tool before installing or removing of the battery cartridge.

CAUTION: Hold the tool and the battery cartridge firmly when installing or removing battery cartridge. Failure to hold the tool and the battery cartridge firmly may cause them to slip off your hands and result in damage to the tool and battery cartridge and a personal injury.

► Fig.1: 1. Red indicator 2. Button 3. Battery cartridge

To remove the battery cartridge, slide it from the tool while sliding the button on the front of the cartridge.

To install the battery cartridge, align the tongue on the battery cartridge with the groove in the housing and slip it into place. Insert it all the way until it locks in place with a little click. If you can see the red indicator on the upper side of the button, it is not locked completely.

CAUTION: Always install the battery cartridge fully until the red indicator cannot be seen. If not, it may accidentally fall out of the tool, causing injury to you or someone around you.

CAUTION: Do not install the battery cartridge forcibly. If the cartridge does not slide in easily, it is not being inserted correctly.

Tool / battery protection system

The tool is equipped with a tool/battery protection system. This system automatically cuts off power to the motor to extend tool and battery life. The tool will automatically stop during operation if the tool or battery is placed under one of the following conditions.

Overload protection

When the tool is operated in a manner that causes it to draw an abnormally high current, the tool automatically stops without any indication. In this situation, turn the tool off and stop the application that caused the tool to become overloaded. Then turn the tool on to restart.

Overheat protection

When the tool is overheated, the tool stops automatically. Let the tool cool down before turning the tool on again.

Overdischarge protection

When the battery capacity becomes low, the tool stops automatically. If the product does not operate even when the switches are operated, remove the batteries from the tool and charge the batteries.

Indicating the remaining battery capacity

Only for battery cartridges with "B" at the end of the model number

► Fig.2: 1. Indicator lamps 2. Check button

Press the check button on the battery cartridge to indicate the remaining battery capacity. The indicator lamps light up for few seconds.

Indicator lamps			Remaining capacity
Lighted	Off	Blinking	
			75% to 100%
			50% to 75%
			25% to 50%
			0% to 25%
			Charge the battery.
			The battery may have malfunctioned.

NOTE: Depending on the conditions of use and the ambient temperature, the indication may differ slightly from the actual capacity.

Switch box position

The switch box can be hooked on either side of the lower belt. Arrange the cord so that the switch box comes to your desired side. To prevent the cord from being damaged, pass the cord through the hook as illustrated.

► Fig.3: 1. Hook 2. Cord

Adjusting belts

The tightness of the shoulder belts, upper and lower belts can be adjusted. Put your arms through the shoulder belts first then fasten the upper and lower belts. To tighten, pull the end of the strap as illustrated. To loosen, pull up the end of the fastener.

Shoulder belts

► Fig.4: 1. Strap 2. Fastener

Upper belt

► Fig.5: 1. Strap 2. Fastener

Lower belt

► Fig.6: 1. Strap 2. Fastener

Carrying hook

Always grab the carrying hook when handling the vacuum cleaner body.

► Fig.7: 1. Carrying hook

Hose band

Hose band can be used for holding the wand or free nozzle.

To secure the wand to the vacuum cleaner body, pass the hose band through the slot on the body. You can attach the hose band on either side.

► Fig.8: 1. Hose band 2. Slot 3. Extension wand

To hold the free nozzle on the lower belt, pass the hose band through the loop on the lower belt.

► Fig.9: 1. Hose band 2. Free nozzle

Extension wand

The length of the wand can be adjusted. Loosen the ring on the wand and adjust the wand length. Tighten the ring at your desired length.

► Fig.10: 1. Ring

Switch action

To start the cleaning, press button once. The vacuum cleaner will start in higher suction power (2). If you want to lower the suction power, press button one more time. The vacuum cleaner will operate in normal suction power (1). When you press the button while the vacuum cleaner is running, the suction power switches between higher and normal suction power. To turn off the vacuum cleaner, press button.

► Fig.11

LED light

LED light is installed in the head of the switch box to ease the operations in dark places. Press button to turn the light on. To turn off, press button again.

► Fig.12

CAUTION: Do not look in the light or see the source of light directly. Never aim the light to other people's eyes.

NOTE: The LED light is automatically turned off when the vacuum cleaner is not operated for more than 10 minutes.

NOTE: The vacuum cleaner will automatically switches off and the LED light flashes when the vacuum cleaner is overheated due to the reduced air-flow into the machine caused by clogged hose, pipe, filter or other reasons.

ASSEMBLY

CAUTION: Always be sure that the tool is switched off and the battery cartridge is removed before carrying out any work on the tool.

Assembling hose/wand/nozzle

Connect the vacuum cleaner body with the hose, wand and nozzle. Insert the hose cuff into the vacuum cleaner body and turn it clockwise. Connect the nozzle to the extension wand. After that, shoulder the vacuum cleaner body then connect the hose with the extension wand.

Connecting vacuum cleaner body and hose

► **Fig.13:** 1. Hose cuff 2. Vacuum cleaner body

Connecting extension wand and nozzle

► **Fig.14:** 1. Extension wand 2. Free nozzle
3. T-shape nozzle

NOTE: The free nozzle can be attached directly to the hose.

Connecting hose and extension wand

► **Fig.15:** 1. Hose 2. Extension wand 3. Free nozzle

NOTE: The free nozzle can be attached to the hose directly.

Installing filter bag

CAUTION: Do not use a damaged filter bag. Always use the vacuum cleaner with the filter bag properly installed. Otherwise the vacuumed dust or particles may be exhausted from the cleaner and they may cause respiratory disease to the operator.

NOTICE: When the filter bag is already full, replace with new one. Continuous use with the filter bag full results in reduced suction power.

1. Unlock the latch by lifting the bottom side. Push the grooved area to lift the front latching side. Pull the latch to open the lid.
► **Fig.16:** 1. Hook 2. Lid
2. Insert the filter bag into the slit on the upper side of the room as illustrated.
► **Fig.17:** 1. Slit 2. Filter bag / Dust bag

When using the dust bag (optional accessory), insert the brim of the dust bag into the slit.

► **Fig.18:** 1. Slit 2. Brim

3. Align the hole of the filter bag with the hose cuff and push the cardboard portion to the end. Make sure that the rubber ring on the filter bag goes over the rim on the hose cuff.

► **Fig.19:** 1. Rubber ring on the filter bag 2. Rim on the hose cuff 3. Cardboard portion of the filter bag 4. Hose cuff

OPERATION

WARNING: Operators shall be adequately instructed on the use of the vacuum cleaner.

WARNING: This vacuum cleaner is not suitable for picking up hazardous dust.




CAUTION: This cleaner is for dry use only.

CAUTION: This cleaner is for indoor use only.

CAUTION: Always insert the battery cartridge all the way until it locks in place. If you can see the red indicator on the upper side of the button, it is not locked completely. Insert it fully until the red indicator cannot be seen. If not, it may accidentally fall out of the tool, causing injury to you or someone around you.

1. Shoulder the vacuum cleaner body and fasten upper and lower belts. Adjust the tightness as necessary.

► **Fig.20**

2. Press  button to start cleaning. If you want to lower the suction power, press  button one more time. Press  button to stop.

► **Fig.21**

During cleaning, hook the switch box on the lower belt. The hook can be slanted for lighting forward.

► **Fig.22**

When you suspend the operation, the hook on the hose can be used for hanging the wand on the lower belt.

► **Fig.23**

NOTE: The vacuum cleaner will automatically switches off and the LED light flashes when the vacuum cleaner is overheated due to the reduced air-flow into the machine caused by clogged hose, pipe, filter or other reasons. In this case, remove the cause of the problem and cool the vacuum cleaner before restarting.

3. Replace the filter bag when it becomes full. Open the lid and take out the filter bag. Pull the strip on the side of the opening to shut the filter bag and dispose of the filter bag in whole.

► **Fig.24:** 1. Strip

When using a dust bag (optional accessory), take out the dust bag and dispose of the dust by releasing the latch.

► **Fig.25:** 1. Latch

NOTICE: Periodically check the filter bag if it is full. Continuous use with the filter bag full results in reduced suction power.

NOTICE: Do not use an used filter bag. The filter bag is designed for single use. If you want to use the bag repeatedly, use a dust bag (optional accessory).

MAINTENANCE

⚠ CAUTION: Always be sure that the tool is switched off and the battery cartridge is removed before attempting to perform inspection or maintenance.

NOTICE: Never use gasoline, benzene, thinner, alcohol or the like. Discoloration, deformation or cracks may result.

Cleaning the filter

⚠ CAUTION: Do not use the vacuum cleaner without a filter or continue to use dirty or damaged filter. Vacuumed dust or particles may be exhausted from the cleaner and they may cause respiratory disease to the operator.

NOTICE: To keep optimum suction power and clean exhaust, clean the filter periodically. If enough suction power is not obtained even after the cleaning, replace the filter with new one.

NOTICE: To prevent the filter from being damaged, do not use an air duster and/or high pressure washer for cleaning.

1. Open the lid and take out the filter bag. Release the hook on the filter and remove it from the vacuum cleaner body.

► Fig.26

2. Beat the dust off from the filter. The filter can be washed with water. Rinse away the dust and particles on the filter every 1 or 2 month. After that, dry the filter completely in a shaded and well-ventilated place to prevent unpleasant odor or malfunctions.

3. To install the filter, insert the side without the flap into the holder then push the filter downward until the flap is secured by the rib.

► Fig.27: 1. Holder 2. Filter 3. Rib 4. Flap

Cleaning the dust bag

Regularly clean the dust bag with soap and water. Turn the dust bag inside out and remove the sticky dust. Wash lightly by hand and rinse well with water. Dry completely before installing to the vacuum cleaner.

► Fig.28

NOTICE: Wet dust bag lowers the vacuuming performance as well as the life of the motor.

To maintain product SAFETY and RELIABILITY, repairs, any other maintenance or adjustment should be performed by Makita Authorized or Factory Service Centers, always using Makita replacement parts.

OPTIONAL ACCESSORIES

⚠ CAUTION: These accessories or attachments are recommended for use with your Makita tool specified in this manual. The use of any other accessories or attachments might present a risk of injury to persons. Only use accessory or attachment for its stated purpose.

If you need any assistance for more details regarding these accessories, ask your local Makita Service Center.

- Flexible hose
- Extension wand
- Free nozzle
- T-shape nozzle
- Nozzle for carpet
- Shelf brush
- Round brush
- Filter bag
- Dust bag
- Filter
- Makita genuine battery and charger

NOTE: Some items in the list may be included in the tool package as standard accessories. They may differ from country to country.

SPÉCIFICATIONS

Modèle :		DVC260
Capacité	Sac-filtre	2,0 L
	Sac à poussière	1,5 L
Volume d'air maximum		1,5 m ³ /min
Dimensions (L x P x H) (sans le harnais)		185 mm x 230 mm x 373 mm
Tension nominale		36 V CC
Batterie standard		BL1815N, BL1820, BL1820B BL1830, BL1830B, BL1840, BL1840B, BL1850, BL1850B, BL1860B
Poids net		3,8 kg 4,3 kg

- Étant donné l'évolution constante de notre programme de recherche et de développement, les spécifications contenues dans ce manuel sont sujettes à modification sans préavis.
- Les spécifications et la batterie peuvent être différentes suivant les pays.
- Poids, avec la batterie, conformément à la procédure EPTA-01/2003

Symboles

Vous trouverez ci-dessous les symboles utilisés pour l'appareil. Veuillez à comprendre leur signification avant toute utilisation.



Lire le mode d'emploi.



Cd
Ni-MH
Li-Ion

Uniquement pour les pays européens
Ne jetez pas les appareils électriques ou les batteries avec vos ordures ménagères ! Conformément aux directives européennes relatives aux déchets d'équipements électriques et électroniques et aux piles et accumulateurs ainsi qu'aux déchets de piles et d'accumulateurs et leur mise en œuvre conformément aux lois nationales, les équipements électriques et les piles et batteries en fin de vie doivent faire l'objet d'une collecte sélective et être confiés à une usine de recyclage respectueuse de l'environnement.

Utilisations

L'outil est conçu pour la collecte des poussières sèches. L'outil est prévu pour un usage commercial, par exemple, dans les hôtels, écoles, hôpitaux, usines, magasins, bureaux et agences de location.

Bruit

Niveau de bruit pondéré A typique, déterminé selon 60332-2-69, 60704-2-1 :
Niveau de pression sonore (L_{pA}) : 70 dB (A) ou moins
Incertitude (K) : 2,5 dB (A)

Le niveau de bruit en fonctionnement peut dépasser 80 dB (A).

AVERTISSEMENT : Portez un serre-tête antibruit.

Vibrations

Valeur totale de vibrations (somme de vecteur triaxial) déterminée selon 60335-2-69 :

Mode de travail : coupe de planches

Émission de vibrations (a_h) : 2,5 m/s² ou moins

Incertitude (K) : 1,5 m/s²

NOTE : La valeur d'émission de vibrations déclarée a été mesurée conformément à la méthode de test standard et peut être utilisée pour comparer les outils entre eux.

NOTE : La valeur d'émission de vibrations déclarée peut aussi être utilisée pour l'évaluation préliminaire de l'exposition.

AVERTISSEMENT : L'émission de vibrations lors de l'usage réel de l'outil électrique peut être différente de la valeur d'émission déclarée, suivant la façon dont l'outil est utilisé.

AVERTISSEMENT : Les mesures de sécurité à prendre pour protéger l'utilisateur doivent être basées sur une estimation de l'exposition dans des conditions réelles d'utilisation (en tenant compte de toutes les composantes du cycle d'utilisation, comme par exemple le moment de sa mise hors tension, lorsqu'il tourne à vide et le moment de son déclenchement).

Déclaration de conformité CE

Pour les pays européens uniquement

Makita déclare que la ou les machines suivantes :

Désignation de la machine : Aspirateur dorsal sans fil
N° de modèle/Type : DVC260

sont conformes aux Directives européennes suivantes :
2006/42/CE

et sont fabriquées conformément aux normes ou aux documents normalisés suivants : EN60335

La documentation technique conforme à la norme 2006/42/CE est disponible auprès de :

Makita, Jan-Baptist Vinkstraat 2, 3070, Belgique



Yasushi Fukaya
Directeur
Makita, Jan-Baptist Vinkstraat 2, 3070, Belgique

CONSIGNES DE SÉCURITÉ

Consignes de sécurité pour aspirateur sans fil

⚠️ AVERTISSEMENT : IMPORTANT ! LIRE ATTENTIVEMENT toutes les consignes de sécurité et toutes les instructions AVANT UTILISATION. Le non-respect des avertissements et des instructions peut entraîner une électrocution, un incendie et/ou de graves blessures.

1. Avant l'utilisation, veillez à ce que l'aspirateur soit utilisé par des personnes ayant reçu des instructions adéquates quant à son utilisation.
2. N'utilisez pas l'aspirateur sans le filtre. Remplacez immédiatement le filtre s'il est endommagé.
3. N'essayez pas d'aspirer des matériaux inflammables, du matériel pyrotechnique, des cigarettes allumées, des cendres chaudes, des copeaux de métal chauds, des matériaux tranchants comme un rasoir, des aiguilles, des morceaux de verre, etc.
4. N'UTILISEZ JAMAIS L'ASPIRATEUR À PROXIMITÉ D'ESSENCE, GAZ, PEINTURE, ADHÉSIFS OU AUTRES SUBSTANCES TRÈS EXPLOSIVES. L'interrupteur émet des étincelles à la mise sous et hors tension. Tout comme le commutateur du moteur pendant le fonctionnement. Une dangereuse explosion peut survenir.
5. N'aspirez jamais des matériaux toxiques, cancérogènes, combustibles ou d'autres produits dangereux comme l'amiante, l'arsenic, le baryum, le béryllium, le plomb, les pesticides ou d'autres matières présentant un danger pour la santé.
6. N'utilisez jamais l'aspirateur à l'extérieur sous la pluie.
7. N'utilisez pas l'aspirateur près de sources de chaleur (cuisinières, etc.).
8. Ne bloquez pas les fentes d'aération. Ces fentes permettent le refroidissement du moteur. Il faut éviter soigneusement de les bloquer sous peine de griller le moteur en raison d'un manque d'aération.
9. Maintenez constamment une bonne assise et un bon équilibre.
10. Ne pliez pas le tuyau, ni ne tirez ou marchez dessus.
11. Arrêtez immédiatement l'aspirateur si vous remarquez des performances médiocres ou toute autre anomalie pendant le fonctionnement.
12. DÉBRANCHEZ LES BATTERIES. Lorsque vous n'utilisez pas l'aspirateur, avant de le réparer et lors du remplacement des accessoires.
13. Procédez au nettoyage et à l'entretien de l'aspirateur immédiatement après chaque utilisation pour le maintenir dans des conditions de fonctionnement optimales.
14. ENTRETENEZ SOIGNEUSEMENT L'ASPIRATEUR. L'aspirateur doit toujours être propre pour améliorer la sécurité et les performances. Suivez les instructions pour remplacer les accessoires. Les poignées doivent toujours être sèches, propres et exemptes d'huile ou de graisse.
15. VÉRIFIEZ LES PIÈCES ENDOMMAGÉES. Avant toute nouvelle utilisation de l'aspirateur, vérifiez soigneusement un carter de protection ou toute autre pièce endommagée pour déterminer qu'ils fonctionnent bien et remplissent leurs fonctions respectives. Vérifiez l'alignement des pièces mobiles, le blocage des pièces mobiles, les pièces cassées, l'installation et tout autre état susceptible d'affecter le fonctionnement. Un carter de protection ou toute autre pièce endommagée doivent être réparés ou remplacés correctement par un centre de service après-vente agréé sauf indication contraire de ce mode d'emploi. Confiez le remplacement des interrupteurs défectueux à un centre de service après-vente agréé. N'utilisez pas l'aspirateur s'il ne peut pas être mis sous et hors tension au moyen de l'interrupteur.
16. PIÈCES DE RECHANGE. En cas de réparation, utilisez uniquement des pièces de rechange identiques.
17. RANGEZ L'ASPIRATEUR APRÈS UTILISATION. Lorsque vous n'utilisez pas l'aspirateur, rangez-le à l'intérieur.
18. Épargnez votre aspirateur. Une manipulation brutale peut entraîner la rupture de l'aspirateur le plus robuste.
19. Ne nettoyez pas l'extérieur ou l'intérieur avec du benzène, du diluant ou d'autres produits chimiques de nettoyage. Vous risqueriez de le fissurer ou de le décolorer.
20. N'utilisez pas l'aspirateur dans un endroit fermé où des vapeurs inflammables, explosives ou toxiques sont dégagées par de la peinture à base d'huile, du diluant pour peinture, de l'essence, certains produits antimites, etc., ou dans des endroits exposés à des poussières inflammables.
21. N'utilisez pas l'aspirateur sous l'influence de drogues, de médicaments ou d'alcool.
22. Par mesure de sécurité, utilisez des lunettes à coques ou des lunettes de sécurité avec écrans latéraux.
23. Utilisez un masque anti-poussière dans des conditions de travail poussiéreuses.

24. Cette machine n'est pas destinée à être utilisée par des personnes (y compris les enfants) aux facultés physiques, sensorielles ou mentales diminuées ou sans expérience ni expertise.
25. Les jeunes enfants doivent être sous la surveillance d'un adulte afin de s'assurer qu'ils ne jouent pas avec l'aspirateur.
26. Ne manipulez jamais les batteries et l'aspirateur avec les mains mouillées.
27. Redoublez de précaution lorsque vous nettoyez des escaliers.
28. N'utilisez pas l'aspirateur comme marchepied ou établi. La machine pourrait tomber et provoquer des blessures corporelles.

Dépannage

1. Confiez la réparation de votre outil électrique à un réparateur qualifié qui utilise des pièces de rechange identiques. La sécurité de l'outil électrique sera ainsi préservée.
2. Suivez les instructions pour la lubrification et le remplacement des accessoires.
3. Gardez toutes les poignées sèches, propres et sans trace d'huile ou de graisse.

Consignes de sécurité importantes pour la batterie

1. Avant d'utiliser la batterie, lisez toutes les instructions et précautions relatives (1) au chargeur de batterie, (2) à la batterie, et (3) au produit utilisant la batterie.
2. Ne démontez pas la batterie.
3. Cessez immédiatement l'utilisation si le temps de fonctionnement devient excessivement court. Il y a risque de surchauffe, de brûlures, voire d'explosion.
4. Si l'électrolyte pénètre dans vos yeux, rincez-les à l'eau claire et consultez immédiatement un médecin. Il y a risque de perte de la vue.
5. Ne court-circuitez pas la batterie :
 - (1) Ne touchez les bornes avec aucun matériau conducteur.
 - (2) Évitez de ranger la batterie dans un conteneur avec d'autres objets métalliques, par exemple des clous, des pièces de monnaie, etc.
 - (3) N'exposez pas la batterie à l'eau ou à la pluie.

Un court-circuit de la batterie peut provoquer une intensité de courant élevée, une surchauffe, parfois des brûlures et même une panne.

6. Ne rangez pas l'outil et la batterie dans un endroit où la température risque d'atteindre ou de dépasser 50 °C.
7. Ne jetez pas la batterie au feu même si elle est sérieusement endommagée ou complètement épuisée. La batterie peut exploser au contact du feu.
8. Évitez de laisser tomber ou de cogner la batterie.
9. N'utilisez pas la batterie si elle est endommagée.

10. Les batteries au lithium-ion contenues sont soumises aux exigences de la législation sur les marchandises dangereuses. Lors du transport commercial par des tierces parties ou des transitaires par exemple, des exigences spécifiques en matière d'étiquetage et d'emballage doivent être respectées. Pour la préparation de l'article expédié, il est nécessaire de consulter un expert en matériau dangereux. Veuillez également respecter les réglementations nationales susceptibles d'être plus détaillées. Recouvrez les contacts exposés avec du ruban adhésif ou du ruban de masquage et emballez la batterie de telle sorte qu'elle ne puisse pas bouger dans l'emballage.
11. Suivez les réglementations locales en matière de mise au rebut des batteries.

CONSERVEZ CES INSTRUCTIONS.

⚠ ATTENTION : N'utilisez que des batteries Makita d'origine. L'utilisation de batteries de marque autre que Makita ou de batteries modifiées peut provoquer l'explosion des batteries, ce qui présente un risque d'incendie, de dommages matériels et corporels. Cela annulera également la garantie Makita pour l'outil et le chargeur Makita.

Conseils pour assurer la durée de vie optimale de la batterie

1. Chargez la batterie avant qu'elle ne soit complètement déchargée. Arrêtez toujours l'outil et rechargez la batterie quand vous remarquez que la puissance de l'outil diminue.
2. Ne rechargez jamais une batterie complètement chargée. La surcharge réduit la durée de service de la batterie.
3. Chargez la batterie à une température ambiante comprise entre 10 °C et 40 °C. Avant de charger une batterie chaude, laissez-la refroidir.
4. Rechargez la batterie si elle est restée inutilisée pendant une période prolongée (plus de six mois).

DESCRIPTION DU FONCTIONNEMENT

⚠ ATTENTION : Assurez-vous toujours que l'outil est hors tension et que sa batterie est retirée avant de l'ajuster ou de vérifier son fonctionnement.

Insertion ou retrait de la batterie

⚠ ATTENTION : Éteignez toujours l'outil avant de mettre en place ou de retirer la batterie.

⚠ ATTENTION : Tenez fermement l'outil et la batterie lors de la mise en place ou du retrait de la batterie. Si vous ne tenez pas fermement l'outil et la batterie, ils peuvent vous glisser des mains, et s'abîmer ou vous blesser.

► Fig.1: 1. Voyant rouge 2. Bouton 3. Batterie

Pour retirer la batterie, faites-la glisser hors de l'outil tout en faisant glisser le bouton à l'avant de la batterie.

Pour mettre en place la batterie, alignez la languette sur la batterie avec la rainure sur le compartiment et insérez-la. Insérez-la à fond jusqu'à ce qu'un léger déclic se fasse entendre. Si le voyant rouge sur le dessus du bouton est visible, cela signifie qu'elle n'est pas bien verrouillée.

⚠ ATTENTION : Insérez toujours complètement la batterie jusqu'à ce que le voyant rouge ne soit plus visible. Sinon, elle pourrait tomber accidentellement de l'outil, au risque de vous blesser ou de blesser quelqu'un se trouvant près de vous.

⚠ ATTENTION : N'insérez pas la batterie de force. Si elle ne glisse pas facilement, c'est que vous ne l'insérez pas correctement.

Système de protection de l'outil/la batterie

L'outil est équipé d'un système de protection de l'outil/la batterie. Ce système coupe automatiquement l'alimentation vers le moteur pour prolonger la durée de vie de l'outil et de la batterie. Si l'outil ou la batterie se trouve dans l'une des situations suivantes, l'outil cessera automatiquement de fonctionner. Dans certaines situations, les témoins s'allument.

Protection contre la surcharge

Lorsque l'outil est utilisé d'une manière provoquant un appel de courant anormalement élevé, l'outil s'arrête automatiquement sans indication. Dans ce cas, éteignez l'outil et arrêtez la tâche ayant provoqué la surcharge de l'outil. Puis rallumez l'outil pour reprendre la tâche.

Protection contre la surchauffe

En cas de surchauffe de l'outil, celui-ci s'arrête automatiquement. Laissez l'outil refroidir avant de le rallumer.

Protection contre la décharge totale de la batterie











Lorsque la charge restante de la batterie devient très faible, l'outil s'arrête automatiquement. Si le produit ne fonctionne pas même en actionnant les boutons, retirez les batteries de l'outil et chargez-les.

Indication de la charge restante de la batterie

Uniquement pour les batteries dont le numéro de modèle se termine par « B »

► Fig.2: 1. Témoins 2. Bouton de vérification

Appuyez sur le bouton de vérification sur la batterie pour indiquer la charge restante de la batterie. Les témoins s'allument pendant quelques secondes.

Témoins			Charge restante
 Allumé	 Éteint	 Clignotant	
			75 % à 100 %
			50 % à 75 %
			25 % à 50 %
			0 % à 25 %
			Chargez la batterie.
			Anomalie possible de la batterie.
			

NOTE : Selon les conditions d'utilisation et la température ambiante, l'indication peut être légèrement différente de la capacité réelle.

Position du boîtier de commande

Le boîtier de commande peut être accroché des deux côtés de la ceinture inférieure. Arrangez le cordon de sorte que le boîtier de commande se place du côté souhaité. Pour éviter d'abîmer le cordon, faites-le passer par le crochet comme illustré.

► Fig.3: 1. Crochet 2. Cordon

Réglage des ceintures

Il est possible de régler les courroies d'épaule et les ceintures supérieure et inférieure. Passez d'abord vos bras par les courroies d'épaule, puis serrez les ceintures supérieure et inférieure. Pour serrer, tirez sur l'extrémité de la courroie comme illustré. Pour desserrer, soulevez l'extrémité de la barrette.

Courroies d'épaule

► Fig.4: 1. Courroie 2. Barrette

Ceinture supérieure

► Fig.5: 1. Courroie 2. Barrette

Ceinture inférieure

► Fig.6: 1. Courroie 2. Barrette

Crochet de transport

Tenez toujours le crochet de transport lorsque vous manipulez le corps de l'aspirateur.

► Fig.7: 1. Crochet de transport

Collier du tuyau

Le collier du tuyau peut servir à tenir le tube ou le raccord libre.

Pour fixer le tube au corps de l'aspirateur, faites passer le collier du tuyau par la fente sur le corps. Vous pouvez fixer le collier du tuyau de n'importe quel côté.

► Fig.8: 1. Collier du tuyau 2. Fente 3. Tube prolongateur

Pour tenir le raccord libre sur la ceinture inférieure, faites passer le collier du tuyau par la boucle sur la ceinture inférieure.

► Fig.9: 1. Collier du tuyau 2. Raccord libre

Tube prolongateur

Il est possible de régler la longueur du tube. Desserrez la bague sur le tube et réglez la longueur du tube.

Serrez la bague à la longueur souhaitée.

► Fig.10: 1. Bague

Fonctionnement de la gâchette

Pour démarrer le nettoyage, appuyez une fois sur le bouton (1). L'aspirateur démarrera à la puissance d'aspiration élevée (2). Pour réduire la puissance d'aspiration, appuyez sur le bouton (2) une deuxième fois. L'aspirateur fonctionnera à la puissance d'aspiration normale (1). Si vous appuyez sur le bouton alors que l'aspirateur fonctionne, la puissance d'aspiration permute entre la puissance élevée et la puissance normale. Pour éteindre l'aspirateur, appuyez sur le bouton (0).

► Fig.11

DEL d'éclairage

La DEL d'éclairage est installée sur la tête du boîtier de commande pour faciliter les opérations dans des endroits sombres. Appuyez sur le bouton (ED) pour allumer la lampe. Pour l'éteindre, appuyez à nouveau sur le bouton (ED).

► Fig.12

ATTENTION : Évitez de regarder directement le faisceau lumineux ou sa source. Ne dirigez jamais le faisceau lumineux dans les yeux d'autres personnes.

NOTE : La DEL d'éclairage s'éteint automatiquement si l'aspirateur n'est pas utilisé pendant plus de 10 minutes.

NOTE : L'aspirateur s'éteindra automatiquement et la DEL d'éclairage clignotera en cas de surchauffe suite à une circulation d'air réduite dans la machine provoquée par un tuyau, un conduit ou un filtre bouché, ou toute autre raison.

ASSEMBLAGE

ATTENTION : Assurez-vous toujours que l'outil est hors tension et que sa batterie est retirée avant d'effectuer toute tâche dessus.

Montage du tuyau/tube/raccord

Raccordez le corps de l'aspirateur aux tuyau, tube et raccord. Insérez le manchon du tuyau dans le corps de l'aspirateur et tournez-le dans le sens des aiguilles d'une montre. Raccordez le raccord au tube prolongateur. Ceci fait, chargez sur vos épaules le corps de l'aspirateur, puis raccordez le tuyau au tube prolongateur.

Raccordement du corps de l'aspirateur et du tuyau

► Fig.13: 1. Manchon du tuyau 2. Corps de l'aspirateur

Raccordement du tube prolongateur et du raccord

► Fig.14: 1. Tube prolongateur 2. Raccord libre 3. Raccord en forme de T

NOTE : Le raccord libre peut être directement fixé au tuyau.

Raccordement du tuyau et du tube prolongateur

► Fig.15: 1. Tuyau 2. Tube prolongateur 3. Raccord libre

NOTE : Le raccord libre peut être directement fixé au tuyau.

Mise en place du sac-filtre

ATTENTION : N'utilisez pas un sac-filtre endommagé. Utilisez toujours l'aspirateur avec le sac-filtre correctement installé. Autrement, la poussière et les particules aspirées peuvent être expulsées de l'aspirateur, ce qui présente un risque de maladie respiratoire pour l'utilisateur.

REMARQUE : Lorsque le sac-filtre est plein, remplacez-le par un neuf. Si vous continuez à utiliser le sac-filtre plein, la puissance d'aspiration sera réduite.

1. Déverrouillez le loquet en soulevant la partie inférieure. Poussez la zone rainurée pour soulever la partie avant de verrouillage. Tirez sur le loquet pour ouvrir le couvercle.

► Fig.16: 1. Crochet 2. Couvercle

2. Insérez le sac-filtre dans la fente sur le côté supérieur de la chambre comme illustré.

► Fig.17: 1. Fente 2. Sac-filtre / Sac à poussière

Si vous utilisez le sac à poussière (accessoire en option), insérez le bord du sac à poussière dans la fente.

► Fig.18: 1. Fente 2. Bord

3. Alignez l'orifice du sac-filtre sur le manchon du tuyau et poussez la partie en carton vers le fond. Assurez-vous que la bague en caoutchouc sur le sac-filtre passe au-dessus du bord sur le manchon du tuyau.

► Fig.19: 1. Bague en caoutchouc sur le sac-filtre 2. Bord sur le manchon du tuyau 3. Partie en carton du sac-filtre 4. Manchon du tuyau

UTILISATION

⚠️ AVERTISSEMENT : Les utilisateurs doivent avoir reçu les instructions adéquates sur l'utilisation de l'aspirateur.

⚠️ AVERTISSEMENT : Cet aspirateur ne convient pas pour aspirer des poussières dangereuses.

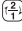


⚠️ ATTENTION : Cet aspirateur est conçu pour une utilisation à sec uniquement.

⚠️ ATTENTION : Cet aspirateur est conçu pour une utilisation en intérieur uniquement.

⚠️ ATTENTION : Insérez toujours la batterie à fond jusqu'à ce qu'elle se verrouille en place. Si le voyant rouge sur le dessus du bouton est visible, cela signifie qu'elle n'est pas bien verrouillée. Insérez-la complètement jusqu'à ce que le voyant rouge ne soit plus visible. Sinon, elle pourrait tomber accidentellement de l'outil, au risque de vous blesser ou de blesser quelqu'un se trouvant près de vous.

1. Chargez le corps de l'aspirateur sur vos épaules et serrez les ceintures supérieure et inférieure. Réglez le serrage au besoin.

► Fig.20

2. Appuyez sur le bouton  pour démarrer le nettoyage. Pour réduire la puissance d'aspiration, appuyez sur le bouton  une deuxième fois. Appuyez sur le bouton  pour arrêter.

► Fig.21

Pendant le nettoyage, accrochez le boîtier de commande sur la ceinture inférieure. Le crochet peut être incliné pour éclairer vers l'avant.

► Fig.22

Lorsque vous interrompez la tâche, le crochet sur le tuyau peut être utilisé pour pendre le tube à la ceinture inférieure.

► Fig.23

NOTE : L'aspirateur s'éteindra automatiquement et la DEL d'éclairage clignotera en cas de surchauffe suite à une circulation d'air réduite dans la machine provoquée par un tuyau, un conduit ou un filtre bouché, ou toute autre raison. Dans ce cas, trouvez la cause du problème et laissez refroidir l'aspirateur avant de redémarrer.

3. Remplacez le sac-filtre lorsqu'il est plein. Ouvrez le couvercle et sortez le sac-filtre. Tirez sur la bande sur le côté de l'ouverture pour fermer le sac-filtre et jetez l'ensemble.

► Fig.24: 1. Bande

Si vous utilisez un sac à poussière (accessoire en option), sortez le sac à poussière et jetez la poussière en libérant le loquet.

► Fig.25: 1. Loquet

REMARQUE : Vérifiez régulièrement si le sac-filtre est plein. Si vous continuez à utiliser le sac-filtre plein, la puissance d'aspiration sera réduite.

REMARQUE : N'utilisez pas un sac-filtre usé. Le sac-filtre n'est pas conçu pour être réutilisé. Si vous voulez réutiliser le sac, optez pour un sac à poussière (accessoire en option).

ENTRETIEN

⚠️ ATTENTION : Assurez-vous toujours que l'outil est hors tension et que la batterie est retirée avant d'y effectuer tout travail d'inspection ou d'entretien.

REMARQUE : N'utilisez jamais d'essence, benzine, diluant, alcool ou autre produit similaire. Cela risquerait de provoquer la décoloration, la déformation ou la fissuration de l'outil.

Nettoyage du filtre

⚠️ ATTENTION : N'utilisez pas l'aspirateur sans filtre, ni ne continuez à utiliser un filtre sale ou endommagé. La poussière ou les particules aspirées peuvent être expulsées de l'aspirateur, ce qui présente un risque de maladie respiratoire pour l'utilisateur.

REMARQUE : Pour conserver une puissance d'aspiration optimale et un échappement propre, nettoyez régulièrement le filtre. Si vous n'obtenez pas une puissance d'aspiration suffisante même après le nettoyage, remplacez le filtre par un neuf.

REMARQUE : Pour éviter d'endommager le filtre, n'utilisez pas un souffleur de poussières et/ou un nettoyeur haute pression pour le nettoyage.

1. Ouvrez le couvercle et sortez le sac-filtre.

Libérez le crochet sur le filtre et retirez-le du corps de l'aspirateur.

► Fig.26

2. Retirez la poussière du filtre. Le filtre peut être lavé à l'eau. Rincez la poussière et les particules sur le filtre tous les mois ou tous les deux mois. Puis, séchez complètement le filtre dans un endroit à l'ombre et bien aéré pour empêcher les mauvaises odeurs ou des dysfonctionnements.

3. Pour installer le filtre, insérez le côté sans le volet dans le support, puis poussez le filtre vers le bas jusqu'à ce que le volet soit maintenu par la languette.

► Fig.27: 1. Support 2. Filtre 3. Languette 4. Volet

Nettoyage du sac à poussière

Nettoyez régulièrement le sac à poussière à l'eau et au savon. Retournez le sac à poussière et enlevez la poussière collante. Lavez délicatement à la main et rincez abondamment à l'eau. Séchez-le complètement avant de le placer sur l'aspirateur.

► Fig.28

REMARQUE : Un sac à poussière mouillé réduit les performances d'aspiration ainsi que la durée de vie du moteur.

Pour assurer la SÉCURITÉ et la FIABILITÉ du produit, toute réparation, tout travail d'entretien ou de réglage doivent être effectués par un centre d'entretien Makita agréé, avec des pièces de rechange Makita.

ACCESSOIRES EN OPTION

⚠ ATTENTION : Ces accessoires ou pièces complémentaires sont recommandés pour l'utilisation avec l'outil Makita spécifié dans ce mode d'emploi. L'utilisation de tout autre accessoire ou pièce complémentaire peut comporter un risque de blessure. N'utilisez les accessoires ou pièces complémentaires qu'aux fins auxquelles ils ont été conçus.

Pour obtenir plus de détails sur ces accessoires, contactez votre centre d'entretien local Makita.

- Boyau flexible
- Tube prolongateur
- Raccord libre
- Raccord en forme de T
- Raccord pour tapis
- Brosse pour étagères
- Brosse ronde
- Sac-filtre
- Sac à poussière
- Filtre
- Batterie et chargeur Makita d'origine

NOTE : Il se peut que certains éléments de la liste soient compris dans l'emballage de l'outil en tant qu'accessoires standard. Ils peuvent varier d'un pays à l'autre.

TECHNISCHE DATEN

Modell:		DVC260
Kapazität	Filterbeutel	2,0 L
	Staubstuck	1,5 L
Maximales Luftvolumen		1,5 m ³ /min
Abmessungen (L x B x H) (ohne Tragegurt)		185 mm x 230 mm x 373 mm
Nennspannung		36 V Gleichstrom
Standard-Akku	BL1815N, BL1820, BL1820B	BL1830, BL1830B, BL1840, BL1840B, BL1850, BL1850B, BL1860B
Nettogewicht	3,8 kg	4,3 kg

- Wir behalten uns vor, Änderungen der technischen Daten im Zuge der Entwicklung und des technischen Fortschritts ohne vorherige Ankündigung vorzunehmen.
- Die technischen Daten und der Akku können von Land zu Land unterschiedlich sein.
- Gewicht mit Akku nach EPTA-Verfahren 01/2003

Symbole

Nachfolgend werden die für das Gerät verwendeten Symbole beschrieben. Machen Sie sich vor der Benutzung mit ihrer Bedeutung vertraut.



Betriebsanleitung lesen.



Nur für EG-Länder
Entsorgen Sie Elektrogeräte oder Akkus nicht zusammen mit dem Hausmüll! Unter Einhaltung der Europäischen Richtlinie über Elektro- und Elektronik-Altgeräte, Batterien, Akkus sowie verbrauchte Batterien und Akkus und ihre Umsetzung gemäß den Landesgesetzen müssen Elektrogeräte und Batterien bzw. Akkus, die das Ende ihrer Lebensdauer erreicht haben, getrennt gesammelt und einer umweltgerechten Recycling-Einrichtung zugeführt werden.

Vorgesehene Verwendung

Das Werkzeug ist für das Absaugen von Trockenstaub vorgesehen. Das Werkzeug eignet sich für kommerziellen Einsatz z. B. in Hotels, Schulen, Krankenhäusern, Fabriken, Läden, Büros und Mietunternehmen.

Geräusch

Typischer A-bewerteter Geräuschpegel ermittelt gemäß 60332-2-69, 60704-2-1:
Schalldruckpegel (L_{pA}): 70 dB (A) oder weniger
Messunsicherheit (K): 2,5 dB (A)

Der Geräuschpegel kann während des Betriebs 80 dB (A) überschreiten.

⚠️ WARNUNG: Einen Gehörschutz tragen.

Schwingungen

Schwingungsgesamtwert (Drei-Achsen-Vektorsumme) ermittelt gemäß 60335-2-69:

Arbeitsmodus: Schneiden von Brettern
Schwingungsemission (a_h): 2,5 m/s² oder weniger
Messunsicherheit (K): 1,5 m/s²

HINWEIS: Der angegebene Schwingungsemissionswert wurde im Einklang mit der Standardprüfmethode gemessen und kann für den Vergleich zwischen Werkzeugen herangezogen werden.

HINWEIS: Der angegebene Schwingungsemissionswert kann auch für eine Vorbewertung des Gefährdungsgrads verwendet werden.

⚠️ WARNUNG: Die Schwingungsemission während der tatsächlichen Benutzung des Elektrowerkzeugs kann je nach der Benutzungsweise des Werkzeugs vom angegebenen Emissionswert abweichen.

⚠️ WARNUNG: Identifizieren Sie Sicherheitsmaßnahmen zum Schutz des Benutzers anhand einer Schätzung des Gefährdungsgrads unter den tatsächlichen Benutzungsbedingungen (unter Berücksichtigung aller Phasen des Arbeitszyklus, wie z. B. Ausschalt- und Leerlaufzeiten des Werkzeugs zusätzlich zur Betriebszeit).

EG-Konformitätserklärung

Nur für europäische Länder

Makita erklärt, dass die folgende(n) Maschine(n):
Bezeichnung der Maschine:
Akku-Rucksackstaubsauger
Modell-Nr./Typ: DVC260

Entspricht den folgenden europäischen Richtlinien:
2006/42/EG

Sie werden gemäß den folgenden Standards oder standardisierten Dokumenten hergestellt: EN60335

Die technische Akte in Übereinstimmung mit 2006/42/EG ist erhältlich von:
Makita, Jan-Baptist Vinkstraat 2, 3070, Belgien
8.9.2015



Yasushi Fukaya
Direktor
Makita, Jan-Baptist Vinkstraat 2, 3070, Belgien

SICHERHEITSWARNUNGEN

Sicherheitswarnungen für Akku-Sauggerät

⚠️ WARNUNG: WICHTIG! Alle Sicherheitswarnungen und Anweisungen **VOR GEBRAUCH AUFMERKSAM LESEN**. Eine Missachtung der Warnungen und Anweisungen kann zu einem elektrischen Schlag, Brand und/oder schweren Verletzungen führen.

1. Stellen Sie vor dem Gebrauch sicher, dass dieses Sauggerät nur von Personen benutzt wird, die im Gebrauch dieses Sauggerätes hinreichend unterrichtet worden sind.
2. Benutzen Sie das Sauggerät nicht ohne den Filter. Ersetzen Sie einen beschädigten Filter unverzüglich.
3. Versuchen Sie nicht, brennbare Materialien, Feuerwerk, brennende Zigaretten, heiße Asche, heiße Metallspäne, scharfe Gegenstände, wie etwa Rasierklingen, Nadeln, Glasscherben oder dergleichen aufzusaugen.
4. **BENUTZEN SIE DAS SAUGGERÄT NIEMALS IN DER NÄHE VON BENZIN, GAS, LACK, KLEBSTOFFEN ODER ANDEREN HOCH EXPLOSIVEN SUBSTANZEN.** Der Schalter erzeugt Funken beim Ein- und Ausschalten. Ebenso der Motorkollektor während des Betriebs. Es kann zu einer gefährlichen Explosion kommen.
5. Saugen Sie niemals giftige, krebserregende, brennbare oder andere Gefahrstoffe wie Asbest, Arsen, Barium, Beryllium, Blei, Pestizide oder sonstige gesundheitsgefährdende Materialien auf.
6. Benutzen Sie das Sauggerät niemals im Freien bei Regen.
7. Benutzen Sie das Sauggerät nicht in der Nähe von Wärmequellen (Öfen usw.).
8. Blockieren Sie die Kühlluftöffnungen nicht. Diese Öffnungen gestatten eine Kühlung des Motors. Blockierung ist sorgfältig zu vermeiden, weil sonst der Motor wegen mangelnder Belüftung überhitzt.
9. Achten Sie stets auf sicheren Stand und gute Balance.
10. Vermeiden Sie Knicken, Ziehen oder Zertreten des Schlauchs.
11. Stellen Sie das Sauggerät sofort ab, wenn Sie während des Betriebs eine Leistungsver schlechterung oder etwas Ungewöhnliches bemerken.
12. **AKKUS ABTRENNEN.** Bei Nichtgebrauch, vor der Wartung und beim Wechseln von Zubehör.
13. Reinigen und warten Sie das Sauggerät sofort nach jedem Gebrauch, um es in tadellosem Betriebszustand zu halten.
14. **SAUGGERÄT SORGFÄLTIG WARTEN.** Halten Sie das Sauggerät für bessere und sicherere Leistung sauber. Befolgen Sie die Anweisungen zum Auswechseln von Zubehör. Halten Sie die Handgriffe trocken, sauber und frei von Öl und Fett.
15. **GERÄT AUF BESCHÄDIGTE TEILE ÜBERPRÜFEN.** Bevor Sie das Sauggerät weiter benutzen, sollten Sie beschädigte Schutzvorrichtungen und Teile sorgfältig auf ihre Betriebsfähigkeit und Funktionstüchtigkeit hin überprüfen. Überprüfen Sie das Gerät auf Ausrichtung und Klemmen beweglicher Teile, Beschädigung von Teilen, Befestigungszustand und sonstige Mängel von Teilen, die seinen Betrieb beeinträchtigen können. Beschädigte Schutzvorrichtungen oder Teile sollten von einem autorisierten Service-Center ordnungsgemäß repariert oder ausgewechselt werden, wenn nicht anders in dieser Bedienungsanleitung angegeben. Lassen Sie defekte Schalter von einem autorisierten Service-Center auswechseln. Benutzen Sie das Sauggerät nicht, wenn es sich nicht mit dem Schalter ein- und ausschalten lässt.
16. **ERSATZTEILE.** Verwenden Sie bei der Wartung nur identische Ersatzteile.
17. **UNBENUTZTES SAUGGERÄT LAGERN.** Bei Nichtgebrauch sollte das Sauggerät in einem Innenraum gelagert werden.
18. Behandeln Sie Ihr Sauggerät mit Sorgfalt. Grobe Behandlung kann eine Beschädigung des Sauggerätes verursachen, selbst wenn es noch so robust gebaut ist.
19. Versuchen Sie nicht, die Außen- oder Innenseite mit Waschbenzin, Verdünnern oder Reinigungschemikalien zu reinigen. Dadurch können Risse und Verfärbung verursacht werden.
20. Benutzen Sie das Sauggerät nicht in einem geschlossenen Raum, wo brennbare, explosive oder giftige Dämpfe von Lack auf Ölbasis, Lackverdünner, Benzin, bestimmten Mottenschutzmitteln usw. abgegeben werden, oder in Bereichen, wo brennbarer Staub vorhanden ist.
21. Betreiben Sie das Sauggerät nicht, wenn Sie unter dem Einfluss von Medikamenten oder Alkohol stehen.
22. Als Grundregel der Sicherheit sollten Sie stets eine Schutzbrille oder eine Sicherheitsbrille mit Seitenschützern verwenden.
23. Verwenden Sie eine Staubmaske bei staubigen Arbeitsbedingungen.

24. Diese Maschine sollte nicht von Personen (einschließlich Kindern) mit reduzierten körperlichen, sensorischen oder geistigen Fähigkeiten oder mangelnder Erfahrung und Kenntnis benutzt werden.
25. Kleine Kinder sollten beaufsichtigt werden, um sicherzugehen, dass sie nicht mit dem Sauggerät spielen.
26. Fassen Sie Akkus und das Sauggerät niemals mit nassen Händen an.
27. Lassen Sie bei der Reinigung auf Treppen äußerste Vorsicht walten.
28. Benutzen Sie das Sauggerät nicht als Hocker oder Werkbank. Anderenfalls kann die Maschine herunterfallen und Personenschäden verursachen.

Wartung

1. Lassen Sie Ihr Elektrowerkzeug nur unter Verwendung identischer Ersatzteile von einem qualifizierten Wartungstechniker warten. Dadurch wird die Aufrechterhaltung der Sicherheit des Elektrowerkzeugs gewährleistet.
2. Befolgen Sie die Anweisungen für die Schmierung und den Austausch von Zubehör.
3. Halten Sie Griffe trocken, sauber und frei von Öl und Fett.

Wichtige Sicherheitsanweisungen für Akku

1. Lesen Sie vor der Benutzung des Akkus alle Anweisungen und Warnhinweise, die an (1) Ladegerät, (2) Akku und (3) Akkuwerkzeug angebracht sind.
2. Unterlassen Sie ein Zerlegen des Akkus.
3. Falls die Betriebszeit beträchtlich kürzer geworden ist, stellen Sie den Betrieb sofort ein. Anderenfalls besteht die Gefahr von Überhitzung, möglichen Verbrennungen und sogar einer Explosion.
4. Falls Elektrolyt in Ihre Augen gelangt, waschen Sie sie mit sauberem Wasser aus, und begeben Sie sich unverzüglich in ärztliche Behandlung. Anderenfalls können Sie Ihre Sehkraft verlieren.
5. Der Akku darf nicht kurzgeschlossen werden:
 - (1) Die Kontakte dürfen nicht mit leitfähigem Material berührt werden.
 - (2) Lagern Sie den Akku nicht in einem Behälter zusammen mit anderen Metallgegenständen, wie z. B. Nägel, Münzen usw.
 - (3) Setzen Sie den Akku weder Wasser noch Regen aus.

Ein Kurzschluss des Akkus verursacht starken Stromfluss, der Überhitzung, mögliche Verbrennungen und einen Defekt zur Folge haben kann.

6. Lagern Sie das Werkzeug und den Akku nicht an Orten, an denen die Temperatur 50 °C erreichen oder überschreiten kann.

7. Versuchen Sie niemals, den Akku zu verbrennen, selbst wenn er stark beschädigt oder vollkommen verbraucht ist. Der Akku kann im Feuer explodieren.
8. Achten Sie darauf, dass der Akku nicht fallen gelassen oder Stößen ausgesetzt wird.
9. Benutzen Sie keine beschädigten Akkus.
10. Die enthaltenen Lithium-Ionen-Akkus unterliegen den Anforderungen der Gefahrgut-Gesetzgebung.

Für kommerzielle Transporte, z. B. durch Dritte oder Spediteure, müssen besondere Anforderungen zu Verpackung und Etikettierung beachtet werden.

Zur Vorbereitung des zu transportierenden Artikels ist eine Beratung durch einen Experten für Gefahrgut erforderlich. Bitte beachten Sie möglicherweise ausführlichere nationale Vorschriften. Überleben oder verdecken Sie offene Kontakte, und verpacken Sie den Akku so, dass er sich in der Verpackung nicht umher bewegen kann.
11. Befolgen Sie die örtlichen Bestimmungen bezüglich der Entsorgung von Akkus.

DIESE ANWEISUNGEN AUFBEWAHREN.

⚠ VORSICHT: Verwenden Sie nur Original-Makita-Akkus. Die Verwendung von Nicht-Original-Makita-Akkus oder von Akkus, die abgeändert worden sind, kann zum Bersten des Akkus und daraus resultierenden Bränden, Personenschäden und Beschädigung führen. Außerdem wird dadurch die Makita-Garantie für das Makita-Werkzeug und -Ladegerät ungültig.

Hinweise zur Aufrechterhaltung der maximalen Akku-Nutzungsdauer

1. Laden Sie den Akku, bevor er vollkommen erschöpft ist. Schalten Sie das Werkzeug stets aus, und laden Sie den Akku, wenn Sie ein Nachlassen der Werkzeugleistung feststellen.
2. Unterlassen Sie erneutes Laden eines voll aufgeladenen Akkus. Überladen führt zu einer Verkürzung der Nutzungsdauer des Akkus.
3. Laden Sie den Akku bei Raumtemperatur zwischen 10 – 40 °C. Lassen Sie einen heißen Akku abkühlen, bevor Sie ihn laden.
4. Der Akku muss geladen werden, wenn er lange Zeit (länger als sechs Monate) nicht benutzt wird.

FUNKTIONSBESCHREIBUNG

⚠ VORSICHT: Vergewissern Sie sich vor der Durchführung von Einstellungen oder Funktionsprüfungen des Werkzeugs stets, dass das Werkzeug ausgeschaltet und der Akku abgenommen ist.

Anbringen und Abnehmen des Akkus

⚠ VORSICHT: Schalten Sie das Werkzeug stets aus, bevor Sie den Akku anbringen oder abnehmen.

⚠ VORSICHT: Halten Sie das Werkzeug und den Akku beim Anbringen oder Abnehmen des Akkus sicher fest. Wenn Sie das Werkzeug und den Akku nicht sicher festhalten, können sie Ihnen aus der Hand rutschen, was zu einer Beschädigung des Werkzeugs und des Akkus und zu Körperverletzungen führen kann.

► **Abb.1:** 1. Rote Anzeige 2. Knopf 3. Akku

Ziehen Sie den Akku zum Abnehmen vom Werkzeug ab, während Sie den Knopf an der Vorderseite des Akkus verschieben.

Richten Sie zum Anbringen des Akkus dessen Führungsfeder auf die Nut im Gehäuse aus, und schieben Sie den Akku hinein. Schieben Sie ihn vollständig ein, bis er mit einem hörbaren Klicken einrastet. Falls die rote Anzeige an der Oberseite des Knopfes sichtbar ist, ist der Akku nicht vollständig verriegelt.

⚠ VORSICHT: Schieben Sie den Akku stets bis zum Anschlag ein, bis die rote Anzeige nicht mehr sichtbar ist. Anderenfalls kann er aus dem Werkzeug herausfallen und Sie oder umstehende Personen verletzen.

⚠ VORSICHT: Unterlassen Sie Gewaltanwendung beim Anbringen des Akkus. Falls der Akku nicht reibungslos hineingleitet, ist er nicht richtig ausgerichtet.

Werkzeug/Akku-Schutzsystem

Das Werkzeug ist mit einem Werkzeug/Akku-Schutzsystem ausgestattet. Dieses System schaltet die Stromversorgung des Motors automatisch ab, um die Lebensdauer von Werkzeug und Akku zu verlängern. Das Werkzeug bleibt während des Betriebs automatisch stehen, wenn das Werkzeug oder der Akku einer der folgenden Bedingungen unterliegt. Bei manchen Bedingungen leuchten die Anzeigen auf.

Überlastschutz

Wird das Werkzeug auf eine Weise benutzt, die eine ungewöhnlich hohe Stromaufnahme bewirkt, bleibt es ohne jegliche Anzeige automatisch stehen. Schalten Sie in dieser Situation das Werkzeug aus, und brechen Sie die Arbeit ab, die eine Überlastung des Werkzeugs verursacht hat. Schalten Sie dann das Werkzeug wieder ein, um neu zu starten.

Überhitzungsschutz

Wenn das Werkzeug überhitzt wird, bleibt es automatisch stehen. Lassen Sie das Werkzeug abkühlen, bevor Sie es wieder einschalten.

Überentladungsschutz

Wenn die Akkukapazität niedrig wird, schaltet sich das Werkzeug automatisch aus. Falls das Produkt trotz Betätigung der Schalter nicht funktioniert, entfernen Sie die Akkus vom Werkzeug, und laden Sie sie auf.

Anzeigen der Akku-Restkapazität

Nur für Akkus mit „B“ am Ende der Modellnummer

► **Abb.2:** 1. Anzeigelampen 2. Prüftaste

Drücken Sie die Prüftaste am Akku, um die Akku-Restkapazität anzuzeigen. Die Anzeigelampen leuchten wenige Sekunden lang auf.

Anzeigelampen			Restkapazität
Erleuchtet	Aus	Blinkend	
			75 % bis 100 %
			50% bis 75%
			25% bis 50%
			0% bis 25%
			Den Akku aufladen.
			Möglicherweise liegt eine Funktionsstörung im Akku vor.

HINWEIS: Abhängig von den Benutzungsbedingungen und der Umgebungstemperatur kann die Anzeige geringfügig von der tatsächlichen Kapazität abweichen.

Position der Schalterbox

Die Schalterbox kann auf beiden Seiten des unteren Gurts eingehängt werden. Ordnen Sie das Kabel so an, dass die Schalterbox auf Ihrer gewünschten Seite liegt. Um Beschädigung des Kabels zu verhindern, führen Sie das Kabel durch den Haken, wie dargestellt.

► **Abb.3:** 1. Haken 2. Kabel

Einstellen der Gurte

Die Straffheit der Schultergurte und des oberen und unteren Gurts kann eingestellt werden. Stecken Sie Ihre Arme zuerst durch die Schultergurte, und ziehen Sie dann den oberen und unteren Gurt straff. Zum Straffen ziehen Sie das Ende des Riemens, wie dargestellt. Zum Lockern ziehen Sie das Ende der Schnalle nach oben.

Schultergurte

► **Abb.4:** 1. Riemen 2. Schnalle

Oberer Gurt

► **Abb.5:** 1. Riemen 2. Schnalle

Unterer Gurt

► **Abb.6:** 1. Riemen 2. Schnalle

Tragegriff

Fassen Sie stets den Tragegriff zur Handhabung des Sauggeräte-Hauptteils.

► **Abb.7:** 1. Tragegriff

Schlauchband

Das Schlauchband kann zur Sicherung des Saugrohrs oder der freien Düse verwendet werden.

Um das Saugrohr am Sauggeräte-Hauptteil zu sichern, führen Sie das Schlauchband durch den Schlitz am Hauptteil. Das Schlauchband kann auf beiden Seiten angebracht werden.

► **Abb.8:** 1. Schlauchband 2. Schlitz
3. Verlängerungsrohr

Um die freie Düse am unteren Gurt zu sichern, führen Sie das Schlauchband durch die Schlaufe am unteren Gurt.

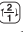
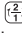
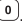
► **Abb.9:** 1. Schlauchband 2. Freie Düse

Verlängerungsrohr

Die Länge des Saugrohrs ist einstellbar. Lösen Sie den Ring am Saugrohr, und stellen Sie die Länge des Saugrohrs ein. Ziehen Sie den Ring an der gewünschten Länge fest.



► **Abb.10:** 1. Ring

Schalterfunktion

Zum Starten des Saugbetriebs drücken Sie die Taste  einmal. Das Sauggerät startet mit höherer Saugkraft (2). Wenn Sie die Saugkraft verringern wollen, drücken Sie die Taste  noch einmal. Das Sauggerät arbeitet mit normaler Saugkraft (1). Wenn Sie die Taste bei laufendem Sauggerät drücken, wird die Saugkraft zwischen höherer und normaler Saugkraft umgeschaltet. Zum Ausschalten des Sauggerätes drücken Sie die Taste .

► **Abb.11**

LED-Leuchte

Eine LED-Leuchte ist in den Kopf der Schalterbox eingebaut, um die Bedienung an dunklen Orten zu erleichtern. Drücken Sie die Taste , um die Leuchte einzuschalten. Zum Ausschalten drücken Sie die Taste  erneut.

► **Abb.12**

⚠ VORSICHT: Blicken Sie nicht direkt in die Lampe oder die Lichtquelle. Richten Sie das Licht niemals auf die Augen anderer Personen.

HINWEIS: Die LED-Leuchte wird automatisch ausgeschaltet, wenn das Sauggerät länger als 10 Minuten nicht bedient wird.

HINWEIS: Das Sauggerät schaltet sich automatisch aus, und die LED-Leuchte blinkt, wenn das Sauggerät überhitzt wird, weil der Luftstrom in die Maschine durch Verstopfung des Schlauchs, des Rohrs, des Filters oder aus anderen Gründen verringert wird.

MONTAGE

⚠ VORSICHT: Vergewissern Sie sich vor der Ausführung von Arbeiten am Werkzeug stets, dass das Werkzeug ausgeschaltet und der Akku abgenommen ist.

Zusammenbauen von Schlauch/Saugrohr/Düse

Schließen Sie Schlauch, Saugrohr und Düse an den Sauggeräte-Hauptteil an. Führen Sie die Schlauchmanschette in den Sauggeräte-Hauptteil ein, und drehen Sie sie im Uhrzeigersinn. Schließen Sie die Düse an das Verlängerungsrohr an. Schultern Sie anschließend den Sauggeräte-Hauptteil, und schließen Sie dann den Schlauch mit dem Verlängerungsrohr an.

Verbinden von Sauggeräte-Hauptteil und Schlauch

► **Abb.13:** 1. Schlauchmanschette
2. Sauggeräte-Hauptteil

Verbinden von Verlängerungsrohr und Düse

► **Abb.14:** 1. Verlängerungsrohr 2. Freie Düse
3. T-Düse

HINWEIS: Die freie Düse kann direkt am Schlauch angebracht werden.

Verbinden von Schlauch und Verlängerungsrohr

► **Abb.15:** 1. Schlauch 2. Verlängerungsrohr 3. Freie Düse

HINWEIS: Die freie Düse kann direkt am Schlauch angebracht werden.

Montieren des Filterbeutels

⚠ VORSICHT: Verwenden Sie keinen beschädigten Filterbeutel. Verwenden Sie das Sauggerät stets mit ordnungsgemäß montiertem Filterbeutel. Anderenfalls können aufgesaugter Staub oder Partikel vom Sauggerät entweichen und die Atemwege des Bedieners angreifen.

ANMERKUNG: Wenn der Filterbeutel bereits voll ist, wechseln Sie ihn gegen einen neuen aus. Fortgesetzter Gebrauch mit vollem Filterbeutel führt zu reduzierter Saugkraft.

1. Entriegeln Sie die Klinke durch Anheben der Unterseite. Drücken Sie auf den gerillten Bereich, um die vordere Klinkenseite anzuheben. Ziehen Sie die Klinke, um die Klappe zu öffnen.

► **Abb.16:** 1. Haken 2. Klappe

2. Führen Sie den Filterbeutel in den Schlitz an der Oberseite des Raums ein, wie dargestellt.

► **Abb.17:** 1. Schlitz 2. Filterbeutel/Staubsack

Wenn Sie den Staub sack (Sonderzubehör) verwenden, führen Sie den Rand des Staub sacks in den Schlitz ein.

► **Abb.18:** 1. Schlitz 2. Rand

3. Richten Sie die Öffnung des Filterbeutels auf die Schlauchmanschette aus, und schieben Sie den Kartenteil bis zum Anschlag. Vergewissern Sie sich, dass der Gummiring am Filterbeutel über der Randlippe der Schlauchmanschette liegt.

► **Abb.19:** 1. Gummiring am Filterbeutel 2. Randlippe an Schlauchmanschette 3. Kartenteil des Filterbeutels 4. Schlauchmanschette

HINWEIS: Das Sauggerät schaltet sich automatisch aus, und die LED-Leuchte blinkt, wenn das Sauggerät überhitzt wird, weil der Luftstrom in die Maschine durch Verstopfung des Schlauchs, des Rohrs, des Filters oder aus anderen Gründen verringert wird. Beheben Sie in diesem Fall die Ursache des Problems, und kühlen Sie das Sauggerät, bevor Sie es wieder benutzen.

3. Wechseln Sie den Filterbeutel aus, wenn er voll wird. Öffnen Sie die Klappe, und nehmen Sie den Filterbeutel heraus. Ziehen Sie den Streifen an der Seite der Öffnung, um den Filterbeutel zu verschließen, und entsorgen Sie den ganzen Filterbeutel.

► **Abb.24:** 1. Streifen

Wenn Sie einen Staub sack (Sonderzubehör) benutzen, nehmen Sie den Staub sack heraus, und entleeren Sie ihn durch Lösen der Klinke.

► **Abb.25:** 1. Klinke

BETRIEB

⚠️ WARNUNG: Die Bediener müssen im Gebrauch des Sauggerätes hinreichend unterwiesen werden.

⚠️ WARNUNG: Dieses Sauggerät eignet sich nicht zum Aufsammeln von gefährlichem Staub.


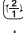

⚠️ VORSICHT: Dieses Sauggerät ist nur für Trockengebrauch vorgesehen.

⚠️ VORSICHT: Dieses Sauggerät ist nur für Inneneinsatz vorgesehen.

⚠️ VORSICHT: Führen Sie den Akku immer vollständig ein, bis er einrastet. Falls die rote Anzeige an der Oberseite des Knopfes sichtbar ist, ist der Akku nicht vollständig verriegelt. Schieben Sie ihn bis zum Anschlag ein, bis die rote Anzeige nicht mehr sichtbar ist. Anderenfalls kann er aus dem Werkzeug herausfallen und Sie oder umstehende Personen verletzen.

1. Schultern Sie den Sauggeräte-Hauptteil, und ziehen Sie den oberen und unteren Gurt straff. Stellen Sie die Straffheit bei Bedarf ein.

► **Abb.20**

2. Drücken Sie die Taste , um den Saugbetrieb zu starten. Wenn Sie die Saugkraft verringern wollen, drücken Sie die Taste  noch einmal. Drücken Sie die Taste , um den Saugbetrieb zu stoppen.

► **Abb.21**

Hängen Sie die Schalterbox während des Saugbetriebs an den unteren Gurt. Der Haken kann für Vorwärtsleuchten schräg gestellt werden.

► **Abb.22**

Wenn Sie den Betrieb unterbrechen, kann der Haken am Schlauch zum Aufhängen des Saugrohrs am unteren Gurt verwendet werden.

► **Abb.23**

ANMERKUNG: Prüfen Sie in regelmäßigen Abständen nach, ob der Filterbeutel voll ist. Fortgesetzter Gebrauch mit vollem Filterbeutel führt zu reduzierter Saugkraft.

ANMERKUNG: Verwenden Sie keinen gebrauchten Filterbeutel. Der Filterbeutel ist für Einmalgebrauch ausgelegt. Verwenden Sie für wiederholten Gebrauch einen Staub sack (Sonderzubehör).

WARTUNG

⚠️ VORSICHT: Vergewissern Sie sich vor der Durchführung von Inspektions- oder Wartungsarbeiten stets, dass das Werkzeug ausgeschaltet und der Akku abgenommen ist.

ANMERKUNG: Verwenden Sie auf keinen Fall Benzin, Waschbenzin, Verdünnern, Alkohol oder dergleichen. Solche Mittel können Verfärbung, Verformung oder Rissbildung verursachen.

Reinigen des Filters

⚠️ VORSICHT: Benutzen Sie das Sauggerät nicht ohne einen Filter oder mit einem verschmutzten oder beschädigten Filter. Es besteht sonst die Gefahr, dass aufgesaugter Staub oder Partikel vom Sauggerät entweichen und die Atemwege des Bedieners angreifen.

ANMERKUNG: Um optimale Saugkraft und saubere Abluft aufrechtzuerhalten, reinigen Sie den Filter regelmäßig. Falls trotz einer Reinigung keine ausreichende Saugkraft erzielt wird, ersetzen Sie den Filter durch einen neuen.

ANMERKUNG: Um eine Beschädigung des Filters zu verhindern, verwenden Sie kein Druckluftspray und/oder Hochdruck-Waschgerät zum Reinigen.

1. Öffnen Sie die Klappe, und nehmen Sie den Filterbeutel heraus. Lösen Sie den Haken am Filter, und nehmen Sie den Filter aus dem Sauggeräte-Hauptteil heraus.

► **Abb.26**

2. Klopfen Sie den Filter aus, um Staub zu entfernen. Der Filter kann mit Wasser gewaschen werden. Spülen Sie Staub und Partikel am Filter alle 1 oder 2 Monate ab. Lassen Sie den Filter anschließend an einem schattigen und gut belüfteten Ort vollkommen trocknen, um unangenehmen Geruch oder Funktionsstörungen zu verhindern.

3. Um den Filter zu installieren, führen Sie die Seite ohne die Klappe in den Halter ein, und drücken Sie dann den Filter nach unten, bis die Klappe durch die Rippe gesichert wird.

► **Abb.27:** 1. Halter 2. Filter 3. Rippe 4. Klappe

HINWEIS: Manche Teile in der Liste können als Standardzubehör im Werkzeugsatz enthalten sein. Sie können von Land zu Land unterschiedlich sein.

Reinigen des Staubsacks

Reinigen Sie den Staubsack regelmäßig mit Seife und Wasser. Stülpen Sie den Staubsack um, und entfernen Sie den klebrigen Staub. Waschen Sie den Staubsack leicht von Hand aus, und spülen Sie ihn gut mit Wasser ab. Lassen Sie den Staubsack vollkommen trocknen, bevor Sie ihn in das Sauggerät einsetzen.

► **Abb.28**

ANMERKUNG: Ein nasser Staubsack verringert die Saugleistung sowie die Lebensdauer des Motors.

Um die SICHERHEIT und ZUVERLÄSSIGKEIT dieses Produkts zu gewährleisten, sollten Reparaturen und andere Wartungs- oder Einstellarbeiten nur von Makita-Vertragswerkstätten oder Makita-Kundendienstzentren unter ausschließlicher Verwendung von Makita-Originalersatzteilen ausgeführt werden.

SONDERZUBEHÖR

⚠ VORSICHT: Die folgenden Zubehörteile oder Vorrichtungen werden für den Einsatz mit dem in dieser Anleitung beschriebenen Makita-Werkzeug empfohlen. Die Verwendung anderer Zubehörteile oder Vorrichtungen kann eine Verletzungsgefahr darstellen. Verwenden Sie Zubehörteile oder Vorrichtungen nur für ihren vorgesehenen Zweck.

Wenn Sie weitere Einzelheiten bezüglich dieser Zubehörteile benötigen, wenden Sie sich bitte an Ihre Makita-Kundendienststelle.

- Flexibler Schlauch
- Verlängerungsrohr
- Freie Düse
- T-Düse
- Düse für Teppich
- Regalbürste
- Rundbürste
- Filterbeutel
- Staubsack
- Filter
- Original-Makita-Akku und -Ladegerät

DATI TECNICI

Modello:		DVC260
Capacità	Sacchetto filtro	2,0 L
	Sacchetto polveri	1,5 L
Volume d'aria massimo		1,5 m ³ /min
Dimensioni (L x P x A) (imbragatura esclusa)		185 mm x 230 mm x 373 mm
Tensione nominale		36 V C.C.
Cartuccia della batteria standard		BL1815N, BL1820, BL1820B BL1830, BL1830B, BL1840, BL1840B, BL1850, BL1850B, BL1860B
Peso netto		3,8 kg 4,3 kg

- A causa del nostro programma continuativo di ricerca e sviluppo, i dati tecnici sono soggetti a modifiche senza preavviso.
- I dati tecnici e la cartuccia della batteria potrebbero differire da nazione a nazione.
- Peso, con cartuccia della batteria, secondo la Procedura EPTA 01/2003

Simboli

La figura seguente mostra i simboli utilizzati per l'apparecchio. Accertarsi di comprendere il loro significato prima dell'uso.



Leggere il manuale d'uso.



Solo per le nazioni UE
Non smaltire apparecchiature elettriche o batterie insieme ai rifiuti domestici! In osservanza delle direttive europee sui rifiuti di apparecchiature elettriche ed elettroniche (RAEE), e su batterie ed accumulatori e sui rifiuti di batterie ed accumulatori, e sulla relativa implementazione in conformità alle norme nazionali, le apparecchiature elettriche e le batterie che hanno raggiunto la fine della loro vita utile devono essere sottoposte a raccolta differenziata e conferite a una struttura di riciclaggio ecocompatibile.

Utilizzo previsto

Questo utensile è progettato per la raccolta delle polveri secche. L'utensile è idoneo all'utilizzo commerciale, ad esempio in hotel, scuole, ospedali, fabbriche, negozi, uffici e noleggi.

Rumore

Livello tipico di rumore pesato A determinato in base allo standard 60335-2-69, 60704-2-1:
Livello di pressione sonora (L_{pA}): 70 dB (A) o inferiore
Incertezza (K): 2,5 dB (A)

Il livello del rumore nelle condizioni di lavoro può superare gli 80 dB (A).

AVVERTIMENTO: Indossare protezioni per le orecchie.

Vibrazioni

Valore totale delle vibrazioni (somma vettoriale triassiale) determinato in base allo standard 60335-2-69:
Modalità di lavoro: taglio di pannelli
Emissione di vibrazioni (a_h): 2,5 m/s² o inferiore
Incertezza (K): 1,5 m/s²

NOTA: Il valore di emissione delle vibrazioni dichiarato è stato misurato in conformità al metodo standard di verifica, e può essere utilizzato per confrontare un utensile con un altro.

NOTA: Il valore di emissione delle vibrazioni dichiarato può venire utilizzato anche per una valutazione preliminare dell'esposizione.

AVVERTIMENTO: L'emissione delle vibrazioni durante l'utilizzo effettivo dell'utensile elettrico può variare rispetto al valore di emissione dichiarato, a seconda dei modi in cui viene utilizzato l'utensile.

AVVERTIMENTO: Accertarsi di identificare le misure di sicurezza per la protezione dell'operatore basate sulla stima dell'esposizione nelle condizioni effettive di utilizzo (tenendo presente tutte le parti del ciclo operativo, ad esempio le volte in cui l'utensile viene spento e quando gira a vuoto, oltre al tempo di attivazione).

Dichiarazione CE di conformità

Modello solo per le nazioni europee

Makita dichiara che la/le macchina/e seguente/i:
Designazione della macchina: Aspirapolvere spalleggiato a batteria

N. modello/Tipo: DVC260

È conforme alle seguenti Direttive Europee:
2006/42/CE

È stata fabbricata in conformità allo standard e ai documenti standardizzati seguenti: EN60335

Il file tecnico in conformità alla normativa 2006/42/CE è disponibile presso:



Yasushi Fukaya
Amministratore
Makita, Jan-Baptist Vinkstraat 2, 3070, Belgio

AVVERTENZE DI SICUREZZA

Avvertenze di sicurezza dell'aspirapolvere a batteria

⚠ AVVERTIMENTO: IMPORTANTE! LEGGERE CON ATTENZIONE tutte le avvertenze di sicurezza e tutte le istruzioni PRIMA DELL'USO. La mancata osservanza delle avvertenze e delle istruzioni potrebbe risultare in scosse elettriche, incendi e/o gravi lesioni personali.

1. **Prima dell'uso, accertarsi che il presente aspiratore venga utilizzato esclusivamente da personale che sia stato istruito in modo adeguato sull'utilizzo del presente aspiratore.**
2. **Non utilizzare l'aspiratore senza il filtro. Sostituire immediatamente un filtro danneggiato.**
3. **Non tentare di raccogliere materiali infiammabili, fuochi d'artificio, sigarette accese, ceneri calde, schegge di metallo roventi, materiali affilati quali rasoi, aghi, vetri rotti o simili.**
4. **NON UTILIZZARE MAI L'ASPIRATORE IN PROSSIMITÀ DI BENZINA, GAS, VERNICI, ADESIVI O ALTRE SOSTANZE ALTAMENTE ESPLOSIVE.** L'interruttore emette delle scintille quando viene attivato e disattivato. Anche il commutatore del motore emette scintille durante l'uso. Di conseguenza, potrebbe verificarsi un'esplosione pericolosa.
5. **Non aspirare mai materiali tossici, cancerogeni, combustibili o altri materiali pericolosi quali amianto, arsenico, bario, berillio, piombo, pesticidi o altri materiali nocivi.**
6. **Non utilizzare mai l'aspiratore all'aperto sotto la pioggia.**
7. **Non utilizzare in prossimità di fonti di calore (cucine, e così via).**
8. **Non ostruire le feritoie di ventilazione.** Tali feritoie consentono il raffreddamento del motore. Le ostruzioni vanno evitate con cura; in caso contrario, il motore si brucia a causa della mancanza di ventilazione.
9. **Mantenere sempre un corretto appoggio sui piedi e l'equilibrio.**
10. **Non piegare, tirare o calpestare il tubo flessibile.**
11. **Arrestare immediatamente l'aspiratore qualora si notino prestazioni scadenti o qualsiasi anomalia durante l'uso.**
12. **SCOLLEGARE LE BATTERIE** quando non si utilizza l'apparecchio, prima di interventi di assistenza e quando si intende sostituire gli accessori.
13. **Pulire e sottoporre a manutenzione l'aspiratore subito dopo ciascun utilizzo per mantenerlo in condizioni operative ottimali.**
14. **SOTTOPORRE A MANUTENZIONE L'ASPIRATORE CON CURA.** Mantenere l'aspiratore pulito per prestazioni migliori e più sicure. Seguire le istruzioni per la sostituzione degli accessori. Mantenere le maniglie pulite, asciutte e prive di olio e grasso.
15. **CONTROLLARE L'EVENTUALE PRESENZA DI PARTI DANNEGGIATE.** Prima di utilizzare ulteriormente l'aspiratore, controllare con cura protezioni o altre parti che siano danneggiate per accertarsi che funzionino correttamente e che svolgano la funzione a cui sono destinate. Controllare l'allineamento delle parti mobili, la presenza di eventuali inceppamenti delle parti mobili o rottura dei componenti, il montaggio ed eventuali altre condizioni che potrebbero influenzare il funzionamento. Una protezione o un'altra parte che siano danneggiate vanno riparate correttamente o sostituite da un centro di assistenza autorizzato, se non diversamente indicato altrove nel presente manuale di istruzioni. Far sostituire gli interruttori difettosi da un centro di assistenza autorizzato. Non utilizzare l'aspiratore qualora l'interruttore non consenta di accenderlo e spegnerlo.
16. **PEZZI DI RICAMBIO.** Quando si effettuano interventi di assistenza, utilizzare esclusivamente pezzi di ricambio identici.
17. **RIPORRE L'ASPIRATORE QUANDO NON VIENE UTILIZZATO.** Quando l'aspiratore non è in uso, dovrebbe venire riposto al chiuso.
18. **Maneggiare con delicatezza l'aspiratore.** Anche l'aspiratore più robusto può rompersi a causa dell'incuria nel maneggiarlo.
19. **Non tentare di pulire la superficie esterna o interna con benzina, solventi o prodotti chimici di pulizia.** In caso contrario, si potrebbero causare spaccature e scolorimenti.
20. **Non utilizzare l'aspiratore in spazi chiusi in cui siano presenti emissioni di vapori infiammabili, esplosivi o tossici dovute a vernici a olio, diluenti per vernici, benzina, alcune sostanze per trattamenti antitarmici, e così via, o in aree in cui siano presenti polveri infiammabili.**
21. **Non utilizzare l'aspiratore sotto l'effetto di droghe o alcolici.**
22. **Come regola di base per la sicurezza, utilizzare occhialoni oppure occhiali di sicurezza con paraocchi laterali.**
23. **Utilizzare una maschera antipolvere in condizioni di lavoro che presentino polveri.**
24. **La presente macchina non è destinata all'utilizzo da parte di persone, inclusi i bambini, dalle capacità fisiche, sensoriali o mentali ridotte, o prive di esperienza e preparazione.**
25. **I bambini vanno tenuti sotto controllo per accertarsi che non giochino con l'aspiratore.**

26. **Non maneggiare mai le batterie e l'aspiratore con le mani bagnate.**
27. **Adottare estrema cautela durante la pulizia delle scale.**
28. **Non utilizzare l'aspiratore come sgabello o piano di lavoro. In caso contrario, la macchina potrebbe cadere, causando lesioni personali.**

Assistenza tecnica

1. Per l'assistenza tecnica relativa all'utensile elettrico, rivolgersi a un riparatore qualificato che utilizzi solo pezzi di ricambio identici. In tal modo, si garantisce che la sicurezza dell'utensile elettrico venga preservata.
2. **Seguire le istruzioni per la lubrificazione e la sostituzione degli accessori.**
3. **Mantenere i manici asciutti, puliti e privi di olio e grasso.**

Istruzioni di sicurezza importanti per la cartuccia della batteria

1. Prima di utilizzare la cartuccia della batteria, leggere tutte le istruzioni e le avvertenze riportate (1) sul caricabatteria, (2) sulla batteria e (3) sul prodotto che utilizza la batteria.
2. **Non smontare la cartuccia della batteria.**
3. Qualora il tempo di utilizzo si riduca eccessivamente, interrompere immediatamente l'utilizzo dell'utensile. In caso contrario, si può incorrere nel rischio di surriscaldamento, possibili ustioni e persino un'esplosione.
4. Qualora l'elettrolita entri in contatto con gli occhi, sciacquarli con acqua pulita e richiedere immediatamente assistenza medica. Questa eventualità può risultare nella perdita della vista.
5. **Non cortocircuitare la cartuccia della batteria:**
 - (1) **Non toccare i terminali con alcun materiale conduttivo.**
 - (2) **Evitare di conservare la cartuccia della batteria in un contenitore insieme ad altri oggetti metallici quali chiodi, monete, e così via.**
 - (3) **Non esporre la cartuccia della batteria all'acqua o alla pioggia.**

Un cortocircuito della batteria può causare un grande flusso di corrente, un surriscaldamento, possibili ustioni e persino un guasto.
6. **Non conservare l'utensile e la cartuccia della batteria in ubicazioni in cui la temperatura possa raggiungere o superare i 50°C.**
7. **Non incenerire la cartuccia della batteria anche qualora sia gravemente danneggiata o completamente esaurita. La cartuccia della batteria può esplodere se a contatto con il fuoco.**
8. **Fare attenzione a non far cadere e a non colpire la batteria.**
9. **Non utilizzare una batteria danneggiata.**
10. **Le batterie a ioni di litio contenute sono soggette ai requisiti del regolamento sul trasporto di merci pericolose (Dangerous Goods Legislation).** Per trasporti commerciali, ad esempio da parte di terzi o spedizionieri, è necessario osservare dei requisiti speciali sull'imballaggio e sull'etichetta.

Per la preparazione dell'articolo da spedire, è richiesta la consulenza di un esperto in materiali pericolosi. Attenersi anche alle normative nazionali, che potrebbero essere più dettagliate. Nastrare o coprire i contatti aperti e imballare la batteria in modo tale che non si possa muovere liberamente all'interno dell'imballaggio.

11. **Attenersi alle normative locali relative allo smaltimento della batteria.**

CONSERVARE LE PRESENTI ISTRUZIONI.

⚠ATTENZIONE: Utilizzare solo batterie originali Makita. L'utilizzo di batterie Makita non originali, o di batterie che siano state alterate, potrebbe risultare nello scoppio della batteria, causando incendi, lesioni personali e danni. Inoltre, ciò potrebbe invalidare la garanzia Makita per l'utensile e il caricabatterie Makita.

Suggerimenti per preservare la durata massima della batteria

1. **Caricare la cartuccia della batteria prima che si scarichi completamente. Smettere sempre di utilizzare l'utensile e caricare la cartuccia della batteria quando si nota che la potenza dell'utensile è diminuita.**
2. **Non ricaricare mai una cartuccia della batteria completamente carica. La sovraccarica riduce la vita utile della batteria.**
3. **Caricare la cartuccia della batteria a una temperatura ambiente compresa tra 10°C e 40°C. Lasciar raffreddare una cartuccia della batteria prima di caricarla.**
4. **Caricare la cartuccia della batteria se non la si è utilizzata per un periodo di tempo prolungato (più di sei mesi).**

DESCRIZIONE DELLE FUNZIONI

⚠ATTENZIONE: Accertarsi sempre che l'utensile sia spento e che la cartuccia della batteria sia stata rimossa prima di regolare o di controllare il funzionamento dell'utensile.

Installazione o rimozione della cartuccia della batteria

⚠ATTENZIONE: Spegnerne sempre l'utensile prima di installare o rimuovere la cartuccia della batteria.

⚠ATTENZIONE: Mantenere saldamente lo strumento e la batteria quando si intende installare o rimuovere la cartuccia della batteria. Qualora non si mantengano saldamente lo strumento e la cartuccia della batteria, questi ultimi potrebbero scivolare dalle mani, con la possibilità di causare un danneggiamento dello strumento e della cartuccia della batteria, nonché una lesione personale.

- **Fig.1:** 1. Indicatore rosso 2. Pulsante 3. Cartuccia della batteria

Per rimuovere la cartuccia della batteria, farla scorrere via dall'utensile mentre si fa scorrere allo stesso tempo il pulsante sulla parte anteriore della cartuccia.

Per installare la cartuccia della batteria, allineare l'appendice della batteria con la scanalatura nell'alloggiamento e farla scivolare in sede. Inserirlo completamente fino al suo blocco in sede con un leggero scatto. Se è possibile vedere l'indicatore rosso sul lato superiore del pulsante, la batteria non è bloccata completamente.

⚠ATTENZIONE: Installare sempre fino in fondo la cartuccia della batteria, fino a quando l'indicatore rosso non è più visibile. In caso contrario, la batteria potrebbe cadere accidentalmente dall'utensile, causando lesioni personali all'operatore o a chi gli è vicino.

⚠ATTENZIONE: Non installare forzatamente la cartuccia della batteria. Qualora la batteria non si inserisca scorrendo agevolmente, vuol dire che non viene inserita correttamente.

Sistema di protezione strumento/batteria

Lo strumento è dotato di un sistema di protezione strumento/batteria. Questo sistema interrompe automaticamente l'alimentazione al motore, per prolungare la vita utile dello strumento e della batteria. L'utensile si arresta automaticamente durante il funzionamento, qualora l'utensile stesso o la batteria vengano a trovarsi in una delle condizioni seguenti: In alcune condizioni, gli indicatori si illuminano.

Protezione dal sovraccarico

Quando l'utensile viene utilizzato in un modo che causa un assorbimento di corrente elevato in modo anomalo, lo strumento si arresta automaticamente senza alcuna indicazione. In questa situazione, spegnere l'utensile e interrompere l'applicazione che ne ha causato il sovraccarico. Quindi, accendere l'utensile per ricominciare.

Protezione dal surriscaldamento

Quando l'utensile è surriscaldato, si arresta automaticamente. Lasciar raffreddare l'utensile prima di riaccenderlo.

Protezione dalla sovrascarica

Quando la carica della batteria diventa bassa, l'utensile si arresta automaticamente. Qualora il prodotto non funzioni anche quando si attivano gli interruttori, rimuovere le batterie dall'utensile e caricarle.

Indicazione della carica residua della batteria

Solo per le cartucce delle batterie con una "B" alla fine del numero del modello

- **Fig.2:** 1. Indicatori luminosi 2. Pulsante di controllo

Premere il pulsante di controllo sulla cartuccia della batteria per indicare la carica residua della batteria. Gli indicatori luminosi si illuminano per alcuni secondi.

Indicatori luminosi			Carica residua
■ Illuminato	□ Spento	▬ Lampeggiante	
■ ■ ■ ■			Dal 75% al 100%
■ ■ ■ □			Dal 50% al 75%
■ ■ □ □			Dal 25% al 50%
■ □ □ □			Dallo 0% al 25%
▬ □ □ □			Caricare la batteria.
■ ■ □ □			La batteria potrebbe essersi guastata.
□ □ ■ ■	↑ ↓		

NOTA: A seconda delle condizioni d'uso e della temperatura ambiente, l'indicazione potrebbe variare leggermente rispetto alla carica effettiva.

Posizione della pulsantiera

È possibile agganciare la pulsantiera da entrambi i lati della cintura inferiore. Disporre il cavo elettrico in modo che la pulsantiera venga a trovarsi sul lato desiderato. Per evitare il danneggiamento del cavo elettrico, farlo passare attraverso il gancio come illustrato nella figura.

- **Fig.3:** 1. Gancio 2. Cavo elettrico

Regolazione delle cinture

È possibile regolare la tensione delle tracolle, della cintura superiore e di quella inferiore. Innanzitutto, far passare le braccia attraverso le tracolle, quindi allacciare la cintura superiore e quella inferiore. Per stringerle, tirare l'estremità della cinghia come illustrato nella figura. Per allentarle, tirare verso l'alto l'estremità della fibbia.

Tracolle

- **Fig.4:** 1. Cinghia 2. Fibbia

Cintura superiore

- **Fig.5:** 1. Cinghia 2. Fibbia

Cintura inferiore

- **Fig.6:** 1. Cinghia 2. Fibbia

Gancio da trasporto

Afferrare sempre il gancio da trasporto quando si intende maneggiare il corpo dell'aspirapolvere.

- **Fig.7:** 1. Gancio da trasporto

Fascetta per il tubo flessibile

È possibile utilizzare la fascetta per il tubo flessibile per mantenere la prolunga o la bocchetta staccata.

Per fissare la prolunga sul corpo dell'aspirapolvere, far passare la fascetta per il tubo flessibile attraverso l'apertura presente sul corpo. È possibile fissare la

fascetta per il tubo flessibile da entrambi i lati.

- **Fig.8:** 1. Fascetta per il tubo flessibile 2. Apertura
3. Prolunga

Per riporre la bocchetta staccata nella cintura inferiore, far passare la fascetta per il tubo flessibile attraverso il passante sulla cintura inferiore.

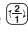
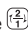
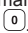
- **Fig.9:** 1. Fascetta per il tubo flessibile 2. Bocchetta staccata

Prolunga

È possibile regolare la lunghezza della prolunga. Allentare l'anello sulla prolunga e regolare la lunghezza di quest'ultima. Serrare l'anello alla lunghezza desiderata.



- **Fig.10:** 1. Anello

Funzionamento dell'interruttore

Per iniziare la pulizia, premere una volta il pulsante . L'aspirapolvere si avvia con la potenza di aspirazione più elevata (2). Se si desidera ridurre la potenza di aspirazione, premere una seconda volta il pulsante . L'aspirapolvere funziona con la potenza di aspirazione normale (1). Quando si preme il pulsante mentre l'aspirapolvere è in funzione, la potenza di aspirazione viene commutata tra quella più elevata e quella normale. Per spegnere l'aspirapolvere, premere il pulsante .

- **Fig.11**

Lampada a LED

Nella testa della pulsantiera è installata una lampada a LED per facilitare le operazioni in ubicazioni buie. Per accendere la lampada, premere il pulsante . Per spegnerla, premere di nuovo il pulsante .

- **Fig.12**

⚠ATTENZIONE: Non guardare la lampada né osservare la fonte di luce direttamente. Non puntare mai la lampada verso gli occhi di altre persone.

NOTA: La lampada a LED viene spenta automaticamente quando non si utilizza l'aspirapolvere per più di 10 minuti.

NOTA: L'aspirapolvere si spegne automaticamente e la lampada a LED lampeggia quando l'aspirapolvere è surriscaldato a causa di un flusso d'aria ridotto nella macchina dovuto all'occlusione del tubo flessibile, di una tubazione, del filtro o per altri motivi.

MONTAGGIO

⚠ATTENZIONE: Accertarsi sempre che l'utensile sia spento e che la cartuccia della batteria sia stata rimossa, prima di effettuare qualsiasi intervento sull'utensile.

Montaggio del tubo flessibile, della prolunga e della bocchetta

Collegare il corpo dell'aspirapolvere al tubo flessibile, alla prolunga e alla bocchetta. Inserire il risvolto del tubo flessibile nel corpo dell'aspirapolvere e ruotarlo in senso orario. Collegare la bocchetta alla prolunga. Dopodiché, indossare sulle spalle il corpo dell'aspirapolvere, quindi collegare il tubo flessibile alla prolunga.

Collegamento del corpo dell'aspirapolvere al tubo flessibile

- **Fig.13:** 1. Risvolto del tubo flessibile 2. Corpo dell'aspirapolvere

Collegamento della prolunga e della bocchetta

- **Fig.14:** 1. Prolunga 2. Bocchetta staccata
3. Bocchetta a T

NOTA: È possibile montare direttamente sul tubo flessibile la bocchetta staccata.

Collegamento del tubo flessibile alla prolunga

- **Fig.15:** 1. Tubo flessibile 2. Prolunga 3. Bocchetta staccata

NOTA: È possibile montare direttamente la bocchetta staccata sul tubo flessibile.

Installazione del sacchetto filtro

⚠ATTENZIONE: Non utilizzare un sacchetto filtro danneggiato. Utilizzare sempre l'aspirapolvere con il sacchetto filtro installato correttamente. In caso contrario, la polvere o le particelle aspirate potrebbero venire espulse dall'aspiratore e potrebbero causare malattie respiratorie all'operatore.

AVVISO: Quando il sacchetto filtro è quasi pieno, sostituirlo con uno nuovo. L'utilizzo continuato con un sacchetto filtro pieno risulta in una potenza di aspirazione ridotta.

1. Sbloccare il dispositivo di chiusura sollevandone il lato inferiore. Premere l'area con le scanalature per sollevare il lato di chiusura anteriore. Tirare il dispositivo di chiusura per aprire il coperchio.

- **Fig.16:** 1. Gancio 2. Coperchio

2. Inserire il sacchetto filtro nella fessura sul lato superiore della camera.

- **Fig.17:** 1. Fessura 2. Sacchetto filtro/Sacchetto polveri

Quando si intende utilizzare un sacchetto polveri (accessorio opzionale), inserire l'orlo del sacchetto polveri nella fessura.

- **Fig.18:** 1. Fessura 2. Orlo

3. Allineare il foro del sacchetto filtro con il risvolto del tubo flessibile e premere la parte in cartone fino in fondo. Accertarsi che l'anello in gomma presente sul sacchetto filtro sia posizionato al di sopra del bordo sul risvolto del tubo flessibile.

- **Fig.19:** 1. Anello di gomma sul sacchetto filtro
2. Bordo sul risvolto del tubo flessibile
3. Parte in cartone del sacchetto filtro
4. Risvolto del tubo flessibile

FUNZIONAMENTO

⚠AVVERTIMENTO: Gli operatori vanno istruiti in modo adeguato sull'utilizzo dell'aspirapolvere.

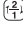


⚠AVVERTIMENTO: Il presente aspirapolvere non è idoneo all'aspirazione di polveri pericolose.

⚠ATTENZIONE: Il presente aspiratore è destinato esclusivamente all'utilizzo a secco.

⚠ATTENZIONE: Il presente aspiratore è destinato esclusivamente all'utilizzo in interni.

⚠ATTENZIONE: Inserire sempre completamente la cartuccia della batteria, fino al suo arresto in sede. Qualora si veda l'indicatore rosso sul lato superiore del pulsante, la batteria non è bloccata completamente. Inserirla completamente, fino a quando l'indicatore rosso non è più visibile. In caso contrario, la batteria potrebbe fuoriuscire e cadere accidentalmente dall'utensile, causando lesioni personali all'operatore o a chi gli è vicino.

1. Indossare sulle spalle il corpo dell'aspirapolvere e allacciare la cintura superiore e quella inferiore. Regolare il livello di tensione in base alle esigenze.
► Fig.20

2. Premere il pulsante  per iniziare la pulizia. Se si desidera ridurre la potenza di aspirazione, premere una seconda volta il pulsante . Premere il pulsante  per interrompere la pulizia.
► Fig.21

Durante la pulizia, agganciare la pulsantiera alla cintura inferiore. È possibile inclinare il gancio per illuminare sui davanti.
► Fig.22

Quando si sospende l'operazione, è possibile utilizzare il gancio sul tubo flessibile per appendere la prolunga alla cintura inferiore.
► Fig.23

NOTA: L'aspirapolvere si spegne automaticamente e la lampada a LED lampeggia quando l'aspirapolvere è surriscaldato a causa di un flusso d'aria ridotto nella macchina dovuto all'occlusione del tubo flessibile, di una tubazione, del filtro o per altri motivi. In tal caso, rimuovere la causa del problema e far raffreddare l'aspirapolvere prima di riavviarlo.

3. Sostituire il sacchetto filtro quando diventa pieno. Aprire il coperchio ed estrarre il sacchetto filtro. Tirare la striscia sul fianco dell'apertura per chiudere il sacchetto filtro e smaltire quest'ultimo nella sua interezza.
► Fig.24: 1. Striscia

Quando si intende utilizzare un sacchetto polveri (accessorio opzionale) estrarre il sacchetto polveri e smaltire le polveri sbloccando il dispositivo di chiusura.
► Fig.25: 1. Dispositivo di chiusura

AVVISO: Controllare a intervalli regolari se il sacchetto filtro sia pieno. L'utilizzo continuato con un sacchetto filtro pieno risulta in una potenza di aspirazione ridotta.

AVVISO: Non utilizzare un sacchetto filtro usato. Il sacchetto filtro è progettato come monouso. Se si desidera utilizzare ripetutamente il sacchetto, utilizzare un sacchetto polveri (accessorio opzionale).

MANUTENZIONE

⚠ATTENZIONE: Accertarsi sempre che l'utensile sia spento e che la cartuccia della batteria sia stata rimossa prima di tentare di eseguire interventi di ispezione o manutenzione.

AVVISO: Non utilizzare mai benzina, benzene, solventi, alcol o altre sostanze simili. In caso contrario, si potrebbero causare scolorimenti, deformazioni o crepe.

Pulizia del filtro

⚠ATTENZIONE: Non utilizzare l'aspirapolvere senza un filtro o continuare a utilizzare un filtro sporco o danneggiato. In caso contrario, la polvere o le particelle aspirate potrebbero venire espulse dall'aspiratore e potrebbero causare malattie respiratorie all'operatore.

AVVISO: Per mantenere una potenza di aspirazione ottimale e uno scarico pulito, pulire a intervalli regolari il filtro. Qualora non si riesca a ottenere una potenza di aspirazione sufficiente anche dopo la pulizia, sostituire il filtro con uno nuovo.

AVVISO: Per evitare che il filtro venga danneggiato, non utilizzare un soffiatore ad aria e/o una idropulitrice ad alta pressione per la pulizia.

1. Aprire il coperchio ed estrarre il sacchetto filtro. Sbloccare il gancio sul filtro e rimuoverlo dal corpo dell'aspirapolvere.

► Fig.26

2. Rimuovere le polveri dal filtro con dei colpetti. È possibile lavare il filtro con acqua. Sciacquare le polveri e le particelle presenti sul filtro a intervalli di 1 o 2 mesi. Dopo tale operazione, fare asciugare completamente il filtro in un'ubicazione ombreggiata e ben ventilata per evitare odori sgradevoli o malfunzionamenti.

3. Per installare il filtro, inserire il lato senza aletta nel supporto, quindi spingere il filtro verso il basso fino a quando l'aletta viene fissata dalla nervatura.

► Fig.27: 1. Supporto 2. Filtro 3. Nervatura 4. Aletta

Pulizia del sacchetto polveri

Pulire a intervalli regolari il sacchetto polveri con acqua e sapone. Rivoltare il sacchetto polveri e rimuovere le polveri che vi aderiscono. Lavarlo delicatamente a mano e sciacquarlo bene con acqua. Farlo asciugare completamente prima di installarlo nell'aspirapolvere.

► Fig.28

AVVISO: Un sacchetto polveri bagnato riduce le prestazioni di aspirazione, nonché la vita utile del motore.

Per preservare la SICUREZZA e l’AFFIDABILITÀ del prodotto, le riparazioni e qualsiasi altro intervento di manutenzione e di regolazione devono essere eseguiti da un centro di assistenza autorizzato Makita, utilizzando sempre ricambi Makita.

ACCESSORI OPZIONALI

⚠ATTENZIONE: Questi accessori o componenti aggiuntivi sono consigliati per l’uso con l’utensile Makita specificato nel presente manuale.

L’impiego di altri accessori o componenti aggiuntivi può costituire un rischio di lesioni alle persone. Utilizzare gli accessori o i componenti aggiuntivi solo per il loro scopo prefissato.

Per ottenere ulteriori dettagli relativamente a questi accessori, rivolgersi a un centro di assistenza Makita.

- Manicotto flessibile
- Prolunga
- Bocchetta staccata
- Bocchetta a T
- Bocchetta per tappeti
- Spazzola per scaffali
- Spazzola rotonda
- Sacchetto filtro
- Sacchetto polveri
- Filtro
- Batteria e caricatterie originali Makita

NOTA: Alcuni articoli nell’elenco potrebbero essere inclusi nell’imballaggio dell’utensile come accessori standard. Tali articoli potrebbero variare da nazione a nazione.

TECHNISCHE GEGEVENS

Model:		DVC260
Inhoud	Filterzak	2,0 L
	Stofzak	1,5 L
Maximaal luchtvolume		1,5 m ³ /min
Afmetingen (l x b x h) (exclusief het draagstel)		185 mm x 230 mm x 373 mm
Nominale spanning		36 V gelijkspanning
Standaardaccu	BL1815N, BL1820, BL1820B	BL1830, BL1830B, BL1840, BL1840B, BL1850, BL1850B, BL1860B
Nettogewicht	3,8 kg	4,3 kg

- In verband met ononderbroken research en ontwikkeling, behouden wij ons het recht voor de bovenstaande technische gegevens zonder voorafgaande kennisgeving te wijzigen.
- De technische gegevens van de accu kunnen van land tot land verschillen.
- Gewicht, inclusief accu, volgens de EPTA-procedure 01/2003

Symbolen

Hieronder staan de symbolen die voor het gereedschap worden gebruikt. Zorg ervoor dat u weet wat ze betekenen alvorens het gereedschap te gebruiken.



Lees de gebruiksaanwijzing.



Alleen voor EU-landen
Geef elektrisch gereedschap en accu's niet met het huisvuil mee! Volgens de Europese richtlijn inzake oude elektrische en elektronische apparaten, en inzake batterijen en accu's en oude batterijen en accu's, en de toepassing daarvan binnen de nationale wetgeving, dienen elektrisch gereedschap, accu('s) en batterijen die het einde van hun levensduur hebben bereikt, gescheiden te worden ingezameld en te worden afgevoerd naar een recyclebedrijf dat voldoet aan de geldende milieu-eisen.

Gebruiksdoeleinden

Het gereedschap is bedoeld om droog stof te verzamelen. Het gereedschap is geschikt voor commercieel gebruik, bijvoorbeeld in hotels, scholen, ziekenhuizen, fabrieken, winkels, kantoren en verhuurbedrijven.

Geluidsniveau

De typische, A-gewogen geluidsniveaus zijn gemeten volgens 60332-2-69, 60704-2-1:
Geluidsdruk niveau (L_{PA}): 70 dB (A) of lager
Onzekerheid (K): 2,5 dB (A)

Het geluidsniveau kan tijdens gebruik hoger worden dan 80 dB (A).

WAARSCHUWING: Draag gehoorbescherming.

Trilling

De totale trillingswaarde (triaxiale vectorsom) zoals vastgesteld volgens 60335-2-69:

Gebruikstoepassing: zagen van platen

Trillingsemisatie (a_h): 2,5 m/s² of lager

Onzekerheid (K): 1,5 m/s²

OPMERKING: De opgegeven trillingsemisatie waarde is gemeten volgens de standaardtestmethode en kan worden gebruikt om dit gereedschap te vergelijken met andere gereedschappen.

OPMERKING: De opgegeven trillingsemisatie waarde kan ook worden gebruikt voor een beoordeling vooraf van de blootstelling.

WAARSCHUWING: De trillingsemisatie tijdens het gebruik van het elektrisch gereedschap in de praktijk kan verschillen van de opgegeven trillingsemisatie waarde afhankelijk van de manier waarop het gereedschap wordt gebruikt.

WAARSCHUWING: Zorg ervoor dat veiligheidsmaatregelen worden getroffen ter bescherming van de operator die zijn gebaseerd op een schatting van de blootstelling onder praktijkomstandigheden (rekening houdend met alle fasen van de bedrijfs cyclus, zoals de tijdsduur gedurende welke het gereedschap is uitgeschakeld en stationair draait, naast de ingeschakelde tijdsduur).

EU-verklaring van conformiteit

Alleen voor Europese landen

Makita verklaart hierbij dat de volgende machine(s):

Aanduiding van de machine: Ruggedragen

accustofzuiger

Modelnr./Type: DVC260

Voldoet aan de volgende Europese richtlijnen:

2006/42/EU

Ze zijn gefabriceerd in overeenstemming met de volgende norm of genormaliseerde documenten: EN60335



Yasushi Fukaya
Directeur
Makita, Jan-Baptist Vinkstraat 2, 3070, België

VEILIGHEIDSWAAR- SCHUWINGEN

Veiligheidswaarschuwingen voor een accustofzuiger

**⚠ WAARSCHUWING: BELANGRIJK! LEES
VÓÓR GEBRUIK alle veiligheidswaarschuwingen en
alle instructies ZORGVULDIG DOOR.** Het niet volgen
van de waarschuwingen en instructies kan leiden tot
elektrische schokken, brand en/of ernstig letsel.

1. **Bedenk vóór gebruik dat deze stofzuiger moet worden gebruikt door mensen die goed zijn geïnstrueerd in het gebruik van deze stofzuiger.**
2. **Gebruik de stofzuiger niet zonder het filter. Vervang een beschadigd filter onmiddellijk.**
3. **Probeer niet brandbare materialen, vuurwerk, brandende sigaretten, hete as, hete metaaldeeltjes, scherpe materialen, zoals scheermesjes, naalden, gebroken glas en dergelijke, op te zuigen.**
4. **GEBRUIK DE STOFZUIGER NOOIT IN DE BUURT VAN BENZINE, GAS, VERF, LIJM OF ANDERE UITERST EXPLOSIEVE STOFFEN.** De schakelaar produceert vonken bij het in- en uitschakelen. En dat doet ook de collector in de motor tijdens gebruik. Hierdoor kan een gevaarlijke explosie worden veroorzaakt.
5. **Zuig nooit giftige, kankerverwekkende, ontbrandbare of andere gevaarlijke stoffen op, zoals asbest, arsenicum, barium, beryllium, lood, pesticiden en andere gezondheidsbedreigende materialen.**
6. **Gebruik de stofzuiger nooit buitenshuis in de regen.**
7. **Gebruik hem niet dichtbij een warmtebron (fornuis, enz.).**
8. **Blokkeer de ventilatieopeningen niet. Deze ventilatieopeningen zorgen voor de koeling van de motor. Blokkering ervan moet altijd worden voorkomen omdat anders de motor zal doorbranden als gevolg van gebrek aan ventilatie.**
9. **Zorg altijd voor een stevige stand en goede lichaamsbalans.**
10. **U mag de slang niet knikken, eraan trekken of erop gaan staan.**
11. **Schakel de stofzuiger onmiddellijk uit als u tijdens gebruik slechte prestaties of iets abnormaals opmerkt.**
12. **VERWIJDER DE ACCU'S** wanneer het gereedschap niet in gebruik is, u er onderhoud aan gaat plegen, en u accessoires verwisselt.
13. **Reinig en onderhoud de stofzuiger onmiddellijk na elk gebruik om hem in optimale conditie te houden.**
14. **ONDERHOUD DE STOFZUIGER GOED.** Houd de stofzuiger schoon om beter en veiliger te kunnen werken. Houdt u aan de instructies voor het verwisselen van de accessoires. Houd de handgrepen droog, schoon en vrij van olie en vetten.
15. **CONTROLEER BESCHADIGDE ONDERDELEN.** Zonder de stofzuiger verder te gebruiken, moet een beschermkap of ander onderdeel dat beschadigd is eerst goed worden onderzocht om te beoordelen of het goed werkt en zijn beoogde functie kan uitvoeren. Controleer of bewegende delen goed uitgelijnd zijn en niet vastgelopen zijn, of onderdelen niet kapot zijn en stevig gemonteerd zijn, en enige andere situatie die van invloed kan zijn op de werking ervan. Een beschermkap of ander onderdeel dat beschadigd is, dient vakkundig te worden gerepareerd of vervangen door een erkend servicecentrum, behalve indien anders aangegeven elders in deze gebruiksaanwijzing. Laat een kapotte schakelaar vervangen door een erkend servicecentrum. Gebruik de stofzuiger niet als hij niet kan worden in- en uitgeschakeld met de schakelaar.
16. **VERVANGINGSONDERDELEN.** Gebruik tijdens reparaties uitsluitend identieke vervangingsonderdelen.
17. **BERG EEN STOFZUIGER DIE NIET WORDT GEBRUIKT VEILIG OP.** Wanneer de stofzuiger niet wordt gebruikt, dient hij binnenshuis te worden opgeborgen.
18. **Behandel uw stofzuiger voorzichtig.** Een ruwe behandeling kan leiden tot een defect van zelfs de meest stevig gebouwde stofzuiger.
19. **Probeer niet de buitenkant of binnenkant van de stofzuiger schoon te maken met wasbenzine, thinner of schoonmaakmiddelen.** Hierdoor kunnen barsten en verkleuringen ontstaan.
20. **Gebruik de stofzuiger niet in een afgesloten ruimte waarin brandbare, explosieve of giftige dampen worden afgegeven door verf op olie-basis, thinner, benzine, bepaalde motenbestrijdingsmiddelen, enz., of op plaatsen waar brandbaar stof aanwezig is.**
21. **Gebruik de stofzuiger niet wanneer u onder invloed bent van drugs of alcohol.**
22. **Als basisveiligheidsmaatregel gebruikt u een beschermende bril of veiligheidsbril met zijstukken.**
23. **Gebruik een stofmasker onder stoffige werkomstandigheden.**
24. **Dit apparaat is niet bedoeld voor gebruik door personen, waaronder kinderen, met een verminderd lichamelijk, zintuiglijk of geestelijk vermogen, of gebrek aan kennis en ervaring.**

25. **Jonge kinderen moeten onder toezicht staan om ervoor te zorgen dat ze niet met de stofzuiger spelen.**
26. **Hanteer de stofzuiger en accu's nooit met natte handen.**
27. **Wees bijzonder voorzichtig tijdens stofzuigen op een trap.**
28. **Gebruik de stofzuiger niet als een kruk of werkbank. Anders kan het apparaat vallen, waardoor persoonlijk letsel kan worden veroorzaakt.**

Reparatie

1. **Laat uw elektrisch gereedschap repareren door een vakbekwame reparateur die gebruik maakt van uitsluitend identieke vervangingsonderdelen.** Zo bent u ervan verzekerd dat de veiligheid van het elektrisch gereedschap behouden blijft.
2. **Volg de instructies voor het smeren en verwisselen van accessoires.**
3. **Houd de handgrepen droog, schoon en vrij van olie en vetten.**

Belangrijke veiligheidsinstructies voor een accu

1. **Lees alle voorschriften en waarschuwingen op (1) de acculader, (2) de accu, en (3) het product waarvoor de accu wordt gebruikt, alvorens de accu in gebruik te nemen.**
2. **Neem de accu niet uit elkaar.**
3. **Als de gebruikstijd van een opgeladen accu aanzienlijk korter is geworden, moet u het gebruik ervan onmiddellijk stopzetten. Voortgezet gebruik kan oververhitting, brandwonden en zelfs een ontploffing veroorzaken.**
4. **Als elektrolyt in uw ogen is terechtgekomen, spoelt u uw ogen met schoon water en roept u onmiddellijk de hulp van een dokter in. Elektrolyt in de ogen kan blindheid veroorzaken.**
5. **Voorkom kortsluiting van de accu:**
 - (1) **Raak de accuklemmen nooit aan met een geleidend materiaal.**
 - (2) **Bewaar de accu niet in een bak waarin andere metalen voorwerpen zoals spijkers, munten e.d. worden bewaard.**
 - (3) **Stel de accu niet bloot aan water of regen. Kortsluiting van de accu kan oorzaak zijn van een grote stroomafgifte, oververhitting, brandwonden, en zelfs defecten.**
6. **Bewaar het gereedschap en de accu niet op plaatsen waar de temperatuur kan oplopen tot 50°C of hoger.**
7. **Werp de accu nooit in het vuur, ook niet wanneer hij zwaar beschadigd of volledig versleten is. De accu kan ontploffen in het vuur.**
8. **Wees voorzichtig dat u de accu niet laat vallen en hem niet blootstelt aan schokken of stoten.**
9. **Gebruik nooit een beschadigde accu.**
10. **De bijgeleverde lithium-ionbatterijen zijn onderhevig aan de vereisten in de wetgeving omtrent gevaarlijke stoffen.**

Voor commercieel transport en dergelijke door derden en transporteurs moeten speciale vereisten ten aanzien van verpakking en etikettering worden nageleefd.

Als voorbereiding van het artikel dat wordt getransporteerd is het noodzakelijk een expert op het gebied van gevaarlijke stoffen te raadplegen. Houd u tevens aan mogelijk strengere nationale regelgeving. Blootliggende contactpunten moeten worden afgedekt met tape en de accu moet zodanig worden verpakt dat deze niet kan bewegen in de verpakking.

11. **Volg bij het weggooiën van de accu de plaatselijke voorschriften.**

BEWAAR DEZE INSTRUCTIES.

⚠ LET OP: Gebruik uitsluitend originele Makita accu's. Het gebruik van niet-originele accu's, of accu's die zijn gewijzigd, kan ertoe leiden dat de accu ontploft en brand, persoonlijk letsel en schade veroorzaakt. Ook vervalt daarmee de garantie van Makita op het gereedschap en de lader van Makita.

Tips voor een maximale levensduur van de accu

1. **Laad de accu op voordat hij volledig ontladen is. Stop het gebruik van het gereedschap en laad de accu op telkens wanneer u vaststelt dat het vermogen van het gereedschap is afgenomen.**
2. **Laad een volledig opgeladen accu nooit opnieuw op. Te lang opladen verkort de levensduur van de accu.**
3. **Laad de accu op bij een omgevingstemperatuur tussen 10°C en 40°C. Laat een warme accu afkoelen alvorens hem op te laden.**
4. **Laad de accu op als u deze gedurende een lange tijd (meer dan zes maanden) niet gaat gebruiken.**

BESCHRIJVING VAN DE FUNCTIES

⚠ LET OP: Zorg altijd dat het gereedschap is uitgeschakeld en de accu ervan is verwijderd alvorens de functies op het gereedschap af te stellen of te controleren.

De accu aanbrengen en verwijderen

⚠ LET OP: Schakel het gereedschap altijd uit voordat u de accu aanbrengt of verwijdert.

⚠ LET OP: Houd het gereedschap en de accu stevig vast tijdens het aanbrengen of verwijderen van de accu. Als u het gereedschap en de accu niet stevig vasthoudt, kunnen deze uit uw handen glijpen en het gereedschap of de accu beschadigen, of kan persoonlijk letsel worden veroorzaakt.

► Fig. 1: 1. Rood deel 2. Knop 3. Accu

Om de accu te verwijderen verschuift u de knop aan de voorkant van de accu en schuift u tegelijkertijd de accu uit het gereedschap.

Om de accu aan te brengen lijnt u de lip op de accu uit met de groef in de behuizing en duwt u de accu op zijn plaats. Steek de accu zo ver mogelijk in het gereedschap tot u een klickgeluid hoort. Als u het rode deel aan de bovenkant van de knop kunt zien, is de accu niet goed aangebracht.

⚠️ LET OP: Breng de accu altijd helemaal aan totdat het rode deel niet meer zichtbaar is. Als u dit niet doet, kan de accu per ongeluk uit het gereedschap vallen en u of anderen in uw omgeving verwonden.

⚠️ LET OP: Breng de accu niet met kracht aan. Als de accu niet gemakkelijk in het gereedschap kan worden geschoven, wordt deze niet goed aangebracht.

Gereedschap-/accubeveiligingssysteem

Het gereedschap is uitgerust met een gereedschap-/accubeveiligingssysteem. Dit systeem kan automatisch de stroomtoevoer naar de motor afsluiten om de levensduur van het gereedschap en de accu te verlengen. Het gereedschap zal tijdens gebruik automatisch stoppen wanneer het gereedschap of de accu zich in een van de volgende omstandigheden bevindt: Onder bepaalde omstandigheden gaan de indicatorlampjes branden.

Overbelastingsbeveiliging

Wanneer het gereedschap wordt gebruikt op een manier die een abnormaal hoge stroomsterkte vergt, stopt het gereedschap automatisch zonder dat een indicatorlampje gaat branden. Schakel in dat geval het gereedschap uit en stop het gebruik dat ertoe leidde dat het gereedschap overbelast raakte. Schakel daarna het gereedschap weer in om verder te gaan.

Oververhittingsbeveiliging

Wanneer het gereedschap oververhit raakt, zal het gereedschap automatisch stoppen. Laat het gereedschap afkoelen, voordat u het gereedschap opnieuw inschakelt.

Beveiliging tegen te ver ontladen

Als de acculading laag is, stopt het gereedschap automatisch. Als het gereedschap niet werkt, ook niet wanneer de schakelaars worden bediend, verwijdert u de accu's vanaf het gereedschap en laadt u de accu's op.

De resterende acculading controleren

Alleen voor accu's waarvan het modelnummer eindigt op "B".

► **Fig.2:** 1. Indicatorlampjes 2. Testknop

Druk op de testknop op de accu om de resterende acculading te zien. De indicatorlampjes branden gedurende enkele seconden.

Indicatorlampjes			Resterende acculading
Brandt	Uit	Knippert	
■ ■ ■ ■			75% tot 100%
■ ■ ■ □			50% tot 75%
■ ■ □ □			25% tot 50%
■ □ □ □			0% tot 25%
▣ □ □ □			Laad de accu op.
■ ■ □ □			Er kan een storing zijn opgetreden in de accu.
□ □ ■ ■			

OPMERKING: Afhankelijk van de gebruiksomstandigheden en de omgevingstemperatuur, is het mogelijk dat de aangegeven acculading verschilt van de werkelijke acculading.

Plaats van het bedieningskastje

Het bedieningskastje kan aan beide zijden van de onderste riem worden opgehangen. Geleid het snoer zodanig dat het bedieningskastje aan de gewenste zijkant uitkomt. Om te voorkomen dat het snoer beschadigd raakt, geleidt u het snoer door de haak, zoals afgebeeld.

► **Fig.3:** 1. Haak 2. Snoer

De riemen afstellen

De lengte van de schouderriemen, de onderste riem en de bovenste riem kan worden afgesteld. Steek eerst uw armen door de schouderriemen en bevestig daarna de onderste en bovenste riemen. Om strak te trekken, trekt u aan de uiteinden van de riem, zoals afgebeeld. Om los te maken, tilt u het uiteinde van de gesp op.

Schouderriemen

► **Fig.4:** 1. Riem 2. Gesp

Bovenste riem

► **Fig.5:** 1. Riem 2. Gesp

Onderste riem

► **Fig.6:** 1. Riem 2. Gesp

Draaghandgreep

Pak altijd de draaghandgreep vast wanneer u de behuizing van de stofzuiger hanteert.

► **Fig.7:** 1. Draaghandgreep

Slangriem

De slangriem kan worden gebruikt voor het vastmaken van de buis of het vrije mondstuk.

Om de buis vast te maken aan de behuizing van de stofzuiger, steekt u de slangriem door de gleuf op de behuizing. U kunt de slangriem aan beide zijanten vastmaken.

► **Fig.8:** 1. Slangriem 2. Gleuf 3. Telescoopbuis

Om het vrije mondstuk vast te maken aan de onderste riem, steekt u de slangriem door de lus van de onderste riem.

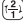
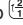

► **Fig.9:** 1. Slangriem 2. Vrij mondstuk

Telescoopbuis

De lengte van de buis kan worden aangepast. Draai de ring op de buis los en stel de lengte van de buis af. Draai op de gewenste lengte de ring weer vast.



► **Fig.10:** 1. Ring

De trekkerschakelaar gebruiken

Om het stofzuigen te starten, drukt u eenmaal op de knop . De stofzuiger begint op de hoogste zuigkracht (2). Als u de zuigkracht wilt verlagen, drukt u nogmaals op de knop . De stofzuiger werkt dan op de normale zuigkracht (1). Als u op de knop drukt terwijl de stofzuiger ingeschakeld is, schakelt de stofzuiger om tussen de hoge en normale zuigkracht. Om de stofzuiger uit te schakelen, drukt u op de knop .

► **Fig.11**

LED-lamp

De LED-lamp is aangebracht in de voorkant van het bedieningskastje om het werken op donkere plaatsen te vergemakkelijken. Druk op de knop  om de lamp in te schakelen. Om uit te schakelen, drukt u nogmaals op de knop .

► **Fig.12**

⚠ LET OP: Kijk niet rechtstreeks in de lamp of naar de bron van het licht. Richt de lamp nooit op de ogen van anderen.

OPMERKING: De LED-lamp wordt automatisch uitgeschakeld wanneer de stofzuiger gedurende langer dan 10 minuten niet wordt bediend.

OPMERKING: De stofzuiger wordt automatisch uitgeschakeld en de LED-lamp knippert wanneer de stofzuiger oververhit is als gevolg van een verminderde luchtstroom in het apparaat veroorzaakt door een verstopte slang, buis, filter of een andere oorzaak.

MONTAGE

⚠ LET OP: Zorg altijd dat het gereedschap is uitgeschakeld en de accu ervan is verwijderd alvorens enig werk aan het gereedschap uit te voeren.

De slang, de buis en het mondstuk aan elkaar bevestigen

Sluit de behuizing van de stofzuiger aan op de slang, de buis en het mondstuk. Steek het aansluitstuk van de slang in de behuizing van de stofzuiger en draai het rechtsonder. Sluit het mondstuk aan op de telescoopbuis. Plaats daarna de behuizing van de stofzuiger om uw schouder en sluit de slang aan op de telescoopbuis.

De behuizing van de behuizing van de stofzuiger en de slang op elkaar aansluiten

► **Fig.13:** 1. Aansluitstuk van de slang 2. Behuizing van de stofzuiger

De telescoopbuis en het mondstuk op elkaar aansluiten

► **Fig.14:** 1. Telescoopbuis 2. Vrij mondstuk 3. Vloermondstuk

OPMERKING: Het vrije mondstuk kan rechtstreeks op de slang worden aangesloten.

De slang en de telescoopbuis op elkaar aansluiten

► **Fig.15:** 1. Slang 2. Telescoopbuis 3. Vrij mondstuk

OPMERKING: Het vrije mondstuk kan rechtstreeks op de slang worden bevestigd.

De filterzak aanbrengen

⚠ LET OP: Gebruik nooit een beschadigde filterzak. Gebruik de stofzuiger altijd met een correct aangebrachte filterzak. Anders kan het opgezoegen stof of deeltjes worden uitgeblazen door de stofzuiger en kunnen deze ademhalingsziekten veroorzaken bij de gebruiker.

KENNISGEVING: Als de filterzak vol is, vervangt u deze door een nieuwe. Als u de volle filterzak blijft gebruiken, zal de zuigkracht afnemen.

1. Ontgrendel de vergrendeling door de onderrand op te tillen. Duw op het gegroefde gedeelte om de voorrand van de vergrendeling omhoog te brengen. Trek aan de vergrendeling om het deksel te openen.

► **Fig.16:** 1. Haak 2. Deksel

2. Steek de filterzak in de sleuf in de bovenkant binnenin de filterkast.

► **Fig.17:** 1. Sleuf 2. Filterzak/stofzak

Wanneer de stofzak (optioneel accessoire) wordt gebruikt, steekt u de rand van de stofzak in de sleuf.

► **Fig.18:** 1. Sleuf 2. Rand

3. Lijn de opening van de filterzak uit met het aansluitstuk van de slang en duw het kartonnen deel zo ver mogelijk erover. Zorg ervoor dat de rubber ring op de filterzak over de rand op het aansluitstuk van de slang valt.

► **Fig.19:** 1. Rubber ring op de filterzak 2. Rand op het aansluitstuk van de slang 3. Kartonnen deel van de filterzak 4. Aansluitstuk van de slang

BEDIENING

⚠ WAARSCHUWING: Gebruikers moeten goed worden geïnstrueerd over het gebruik van de stofzuiger.

⚠ WAARSCHUWING: Deze stofzuiger is niet geschikt voor het opzuigen van gevaarlijk stof.

⚠ LET OP: Deze stofzuiger is alleen geschikt voor droog gebruik.

⚠ LET OP: Deze stofzuiger is alleen geschikt voor gebruik binnenshuis.

⚠ LET OP: Druk de accu altijd stevig aan totdat die op zijn plaats vastklikt. Wanneer het rode deel aan de bovenkant van de knop nog zichtbaar is, zit de accu er nog niet helemaal in. Schuif hem er helemaal in totdat het rode deel niet meer zichtbaar is. Als u dit nalaat, zou de accu uit het gereedschap kunnen vallen en uzelf of anderen kunnen verwonden.

1. Plaats de behuizing van de stofzuiger om uw schouders en bevestig de bovenste en onderste riemen. Maak de riemen naar wens strakker.

► Fig.20

2. Druk op de knop  om het stofzuigen te starten. Als u de zuigkracht wilt verlagen, drukt u nogmaals op de knop . Druk op de knop  om te stoppen.

► Fig.21

Haak het bedieningskastje tijdens gebruik aan de onderste riem. De haak kan schuin worden gezet om naar voren te schijnen.

► Fig.22

Wanneer u het werk onderbreekt, kan de haak op de slang worden gebruikt om de buis aan de onderste riem te hangen.

► Fig.23

OPMERKING: De stofzuiger wordt automatisch uitgeschakeld en de LED-lamp knippert wanneer de stofzuiger oververhit is als gevolg van een verminderde luchtstroom in het apparaat veroorzaakt door een verstopte slang, buis, filter of een andere oorzaak. Hef in dat geval de oorzaak van het probleem op en laat de stofzuiger afkoelen voordat u hem opnieuw gebruikt.

3. Vervang de filterzak wanneer deze vol is. Open het deksel en haal de filterzak eruit. Trek aan de strip aan de zijkant van de opening om de filterzak te sluiten en gooi de gehele filterzak weg.

► Fig.24: 1. Strip

Wanneer een stofzak (optioneel accessoire) wordt gebruikt, haalt u de stofzak eruit, ontgrendelt u de vergrendeling en gooit u het stof eruit.

► Fig.25: 1. Vergrendeling

KENNISGEVING: Controleer de filterzak regelmatig om te zien of deze vol is. Als u de volle filterzak blijft gebruiken, zal de zuigkracht afnemen.

KENNISGEVING: Gebruik nooit een gebruikte filterzak. De filterzak is ontworpen voor eenmalig gebruik. Als u de zak meerdere keren wilt gebruiken, gebruikt u een stofzak (optioneel accessoire).

ONDERHOUD

⚠ LET OP: Zorg altijd dat het gereedschap is uitgeschakeld en de accu ervan is verwijderd alvorens te beginnen met onderhoud of inspectie.

KENNISGEVING: Gebruik nooit benzine, wasbenzine, thinner, alcohol en dergelijke. Hierdoor kunnen verkleuring, vervormingen en barsten worden veroorzaakt.

Het filter schoonmaken

⚠ LET OP: Gebruik de stofzuiger niet zonder filter en blijf een vuil of beschadigd filter niet gebruiken. Opgezogen stof of deeltjes kunnen worden uitgeblazen door de stofzuiger en deze kunnen ademhalingsziekten veroorzaken bij de gebruiker.

KENNISGEVING: Om een optimale zuigkracht en schone uitlaatlucht te behouden, moet het filter regelmatig worden schoongemaakt. Als onvoldoende zuigkracht wordt verkregen, zelfs na het schoonmaken, vervangt u het filter door een nieuwe.

KENNISGEVING: Om te voorkomen dat het filter wordt beschadigd, mag u voor het schoonmaken geen persluchtpistool en/of hogedrukspuit gebruiken.

1. Open het deksel en haal de filterzak eruit. Ontgrendel de haak op het filter en verwijder het uit de behuizing van de stofzuiger.

► Fig.26

2. Sla het stof van het filter af. Het filter mag worden gewassen met water. Spoel elke 1 of 2 maanden het stof en de deeltjes van het filter af. Droog daarna het filter volledig op een goed geventileerde plaats in de schaduw om vieze luchtjes of storingen te voorkomen.

3. Om het filter aan te brengen, steekt u de zijkant zonder de flap in de houder en duwt u het filter omlaag totdat de flap wordt vastgehouden door de rib.

► Fig.27: 1. Houder 2. Filter 3. Rib 4. Flap

De stofzak reinigen

Reinig de stofzak regelmatig met zeep en water. Keer de stofzak binnenste buiten en verwijder aanklevend stof. Was licht met de hand en spoel goed met water. Laat volledig drogen voordat u hem weer in de stofzuiger aanbrengt.

► Fig.28

KENNISGEVING: Een natte stofzak vermindert de prestaties van de stofzuiger en tevens de levensduur van de motor.

Om de VEILIGHEID en BETROUWBAARHEID van het gereedschap te handhaven, dienen alle reparaties, onderhoud of afstellingen te worden uitgevoerd bij een erkend Makita-servicecentrum of de Makita-fabriek, en altijd met gebruik van Makita-ervangingsonderdelen.

OPTIONELE ACCESSOIRES

⚠ LET OP: Deze accessoires of hulpstukken worden aanbevolen voor gebruik met het Makita gereedschap dat in deze gebruiksaanwijzing is beschreven. Bij gebruik van andere accessoires of hulpstukken bestaat het gevaar van persoonlijke letsel. Gebruik de accessoires of hulpstukken uitsluitend voor hun bestemde doel.

Wenst u meer bijzonderheden over deze accessoires, neem dan contact op met het plaatselijke Makita-servicecentrum.

- Flexibele slang
- Telescoopbuis
- Vrij mondstuk
- Vloermondstuk
- Mondstuk voor tapijt
- Boekenplankborstel
- Ronde borstel
- Filterzak
- Stofzak
- Filter
- Originele Makita accu's en acculaders

OPMERKING: Sommige items op de lijst kunnen zijn inbegrepen in de doos van het gereedschap als standaard toebehoren. Deze kunnen van land tot land verschillen.

ESPECIFICACIONES

Modelo:		DVC260
Capacidad	Bolsa de filtro	2,0 L
	Bolsa de polvo	1,5 L
Volumen máximo de aire		1,5 m ³ /min
Dimensiones (La x An x Al) (excluyendo el arnés)		185 mm x 230 mm x 373 mm
Tensión nominal		CC 36 V
Cartucho de batería estándar		BL1815N, BL1820, BL1820B BL1830, BL1830B, BL1840, BL1840B, BL1850, BL1850B, BL1860B
Peso neto		3,8 kg 4,3 kg

- Debido a nuestro continuado programa de investigación y desarrollo, las especificaciones aquí dadas están sujetas a cambios sin previo aviso.
- Las especificaciones y el cartucho de batería pueden diferir de país a país.
- Peso, con cartucho de batería, de acuerdo con el procedimiento EPTA 01/2003

Símbolos

A continuación se muestran los símbolos utilizados con este equipo. Asegúrese de que entiende su significado antes de usarlo.



Lea el manual de instrucciones.



Sólo para países de la Unión Europea
¡No deseche los aparatos eléctricos o baterías junto con los residuos domésticos! De conformidad con las Directivas Europeas, sobre residuos de equipos eléctricos y electrónicos y baterías y acumuladores y residuos de baterías y acumuladores y su aplicación de acuerdo con la legislación nacional, los aparatos eléctricos y pilas y baterías cuya vida útil haya llegado a su fin deberán ser recogidos por separado y trasladados a una planta de reciclaje que cumpla con las exigencias ecológicas.

Uso previsto

La herramienta ha sido prevista para recoger polvo seco. La herramienta es apropiada para uso comercial, por ejemplo, en hoteles, escuelas, hospitales, fábricas, tiendas, oficinas y negocios de alquiler.

Ruido

El nivel de ruido A-ponderado típico determinado de acuerdo con la norma 60332-2-69, 60704-2-1:
Nivel de presión sonora (L_{pA}) : 70 dB (A) o menos
Error (K) : 2,5 dB (A)

El nivel de ruido en situación de trabajo puede exceder 80 dB (A).

ADVERTENCIA: Póngase protectores para oídos.

Vibración

El valor total de la vibración (suma de vectores triaxiales) determinado de acuerdo con la norma 60335-2-69:
Modo de trabajo: corte de tableros
Emisión de vibración (a_h) : 2,5 m/s² o menos
Error (K) : 1,5 m/s²

NOTA: El valor de emisión de vibración declarado ha sido medido de acuerdo con el método de prueba estándar y se puede utilizar para comparar una herramienta con otra.

NOTA: El valor de emisión de vibración declarado también se puede utilizar en una valoración preliminar de exposición.

ADVERTENCIA: La emisión de vibración durante la utilización real de la herramienta eléctrica puede variar del valor de emisión declarado dependiendo de las formas en las que la herramienta sea utilizada.

ADVERTENCIA: Asegúrese de identificar medidas de seguridad para proteger al operario que estén basadas en una estimación de la exposición en las condiciones reales de utilización (teniendo en cuenta todas las partes del ciclo operativo como las veces cuando la herramienta está apagada y cuando está funcionando en vacío además del tiempo de gatillo).

Declaración de conformidad CE

Para países europeos solamente

Makita declara que la(s) máquina(s) siguiente(s):
Designación de máquina: Aspiradora de mochila a batería

Modelo N°/ Tipo: DVC260

Cumplen con las directivas europeas siguientes:
2006/42/CE

Están fabricadas de acuerdo con las normas o documentos normalizados siguientes: EN60335



Yasushi Fukaya
Director
Makita, Jan-Baptist Vinkstraat 2, 3070, Bélgica

ADVERTENCIAS DE SEGURIDAD

Advertencias de seguridad para la aspiradora a batería

⚠ ADVERTENCIA: ¡IMPORTANTE! LEA CON ATENCIÓN todas las advertencias de seguridad y todas las instrucciones ANTES DE UTILIZAR.
No seguir las advertencias e instrucciones puede resultar en una descarga eléctrica, un incendio y/o heridas graves.

1. **Detenga la aspiradora inmediatamente si nota un mal rendimiento o algo anormal durante la operación.**
12. **DESCONECTE LAS BATERÍAS.** Cuando no esté siendo utilizada, antes de realizar mantenimiento, y cuando cambie accesorios.
13. **Limpie y haga el mantenimiento a la aspiradora inmediatamente después de cada utilización para mantenerla en las mejores condiciones de operación.**
14. **MANTENGA LA ASPIRADORA CON CUIDADO.** Mantenga la aspiradora limpia para obtener un mejor y más seguro rendimiento. Siga las instrucciones cuando cambie accesorios. Mantenga los asideros secos, limpios y libres de aceite y grasa.
15. **COMPRUEBE LAS PARTES DAÑADAS.** Antes de seguir utilizando la aspiradora, un protector o cualquier otra parte que se haya dañado deberá inspeccionarse cuidadosamente para determinar que funcionará debidamente y que realizará la función para la que ha sido previsto. Compruebe la alineación de las partes móviles, la unión de las partes móviles, rotura de partes, montaje, y cualquier otra condición que pueda afectar a su operación. Un protector o cualquier otra parte que se haya dañado deberá repararse o reemplazarse debidamente en un centro de servicio autorizado a menos que se indique otra cosa en algún otro sitio en este manual de instrucciones. Pida a un centro de servicio autorizado que le reemplacen los interruptores defectuosos. No utilice la aspiradora si el interruptor no la enciende y apaga.
16. **PIEZAS DE REPUESTO.** Cuando haga el mantenimiento, utilice solamente piezas de repuesto idénticas.
17. **GUARDE LA ASPIRADORA SI NO LA ESTÁ UTILIZANDO.** Cuando no esté siendo utilizada, la aspiradora deberá estar guardada en interiores.
18. **Sea amable con su aspiradora.** Un manejo brusco puede ocasionar la rotura de incluso la aspiradora más robusta.
19. **No intente limpiar el interior o exterior con bencina, diluyente o productos químicos de limpieza.** Podrá ocasionar grietas o decoloración.
20. **No utilice la aspiradora en un espacio cerrado donde puedan desprenderse vapores inflamables, explosivos o tóxicos de pintura a base de aceite, disolventes de pintura, gasolina, algunas sustancias contra las polillas, etc., o en áreas donde haya polvo inflamable.**
21. **No utilice la aspiradora bajo la influencia de drogas o alcohol.**
22. **Como norma básica de seguridad, utilice gafas de protección o gafas de seguridad con escudos laterales.**
23. **Utilice una máscara contra el polvo en condiciones de trabajo polvorientas.**
24. **Esta máquina no ha sido prevista para ser utilizada por personas (incluidos niños) con capacidades físicas, sensoriales o mentales reducidas, o falta de experiencia y conocimiento.**
1. **Antes de utilizar, asegúrese de que esta aspiradora sea utilizada por personas que han sido instruidas adecuadamente sobre cómo usar esta aspiradora.**
2. **No utilice la aspiradora sin el filtro. Reemplace un filtro dañado inmediatamente.**
3. **No intente recoger materiales inflamables, fuegos de artificio, cigarrillos encendidos, cenizas calientes, virutas metálicas calientes, materiales cortantes como cuchillas de afeitar, agujas, cristales rotos o similares.**
4. **NO UTILICE NUNCA LA ASPIRADORA CERCA DE GASOLINA, GAS, PINTURA, ADHESIVOS U OTRAS SUSTANCIAS ALTAMENTE EXPLOSIVAS.** El interruptor emite chispas cuando se activa y desactiva. Y también lo hace el conmutador del motor durante la operación. Puede resultar en una peligrosa explosión.
5. **Nunca aspire materiales tóxicos, cancerígenos, combustibles u otros materiales peligrosos como asbestos, arsénico, bario, berilio, plomo, pesticidas, u otros materiales que puedan poner en peligro la salud.**
6. **No utilice nunca la aspiradora en exteriores bajo la lluvia.**
7. **No utilice cerca de fuentes de calor (estufas, etc.).**
8. **No bloquee las aberturas de enfriamiento.** Estas aberturas permite el enfriamiento del motor. Deberá evitarse con cuidado que no se bloquee, de lo contrario el motor se quemará por falta de ventilación.
9. **Mantenga los pies sobre suelo firme y el equilibrio en todo momento.**
10. **No doble, pise o tire con fuerza de la manguera.**

25. Los niños pequeños deberán ser supervisados para asegurarse de que no juegan con la aspiradora.
26. No maneje nunca las baterías y la aspiradora con las manos mojadas.
27. Tenga mucho cuidado cuando limpie en escaleras.
28. No utilice la aspiradora como taburete o mesa de trabajo. La máquina podrá caerse y resultar en heridas personales.

Servicio

1. Haga que su herramienta eléctrica sea servida por una persona de reparación cualificada utilizando solamente piezas de repuesto idénticas. De esta forma la herramienta eléctrica seguirá siendo segura.
2. Siga las instrucciones para lubricarlas y cambiar los accesorios.
3. Mantenga las empuñaduras secas, limpias y libres de aceite y grasa.

Instrucciones de seguridad importantes para el cartucho de batería

1. Antes de utilizar el cartucho de batería, lea todas las instrucciones e indicaciones de precaución sobre (1) el cargador de baterías, (2) la batería, y (3) el producto con el que se utiliza la batería.
2. No desarme el cartucho de batería.
3. Si el tiempo de uso se acorta demasiado, cese la operación inmediatamente. Podría resultar en un riesgo de recalentamiento, posibles quemaduras e incluso una explosión.
4. Si entra electrólito en sus ojos, aclárelos con agua limpia y acuda a un médico inmediatamente. Existe el riesgo de poder perder la vista.
5. No cortocircuite el cartucho de batería:
 - (1) No toque los terminales con ningún material conductor.
 - (2) Evite guardar el cartucho de batería en un cajón junto con otros objetos metálicos, como clavos, monedas, etc.
 - (3) No exponga el cartucho de batería al agua ni a la lluvia.

Un cortocircuito en la batería puede producir una gran circulación de corriente, un recalentamiento, posibles quemaduras e incluso una rotura de la misma.

6. No guarde la herramienta y el cartucho de batería en lugares donde la temperatura pueda alcanzar o exceder los 50 °C.
7. Nunca incinere el cartucho de batería incluso en el caso de que esté dañado seriamente o ya no sirva en absoluto. El cartucho de batería puede explotar si se tira al fuego.
8. Tenga cuidado de no dejar caer ni golpear el cartucho de batería.
9. No utilice una batería dañada.

10. Las baterías de litio-ion contenidas están sujetas a los requisitos de la Legislación para Materiales Peligrosos. Para transportes comerciales, p.ej., por terceras personas y agentes de transportes, se deberán observar requisitos especiales para el empaquetado y etiquetado. Para la preparación del artículo que se va a enviar, se requiere consultar con un experto en materiales peligrosos. Por favor, observe también la posibilidad de reglamentos nacionales más detallados. Cubra con cinta aislante o enmascare los contactos expuestos y empaquete la batería de tal manera que no se pueda mover alrededor dentro del embalaje.
11. Siga los reglamentos locales referentes al desecho de la batería.

GUARDE ESTAS INSTRUCCIONES.

⚠PRECAUCIÓN: Utilice solamente baterías genuinas de Makita. La utilización de baterías no genuinas de Makita, o baterías que han sido alteradas, puede resultar en una explosión de la batería ocasionando incendios, heridas personales y daños. También anulará la garantía de Makita para la herramienta y el cargador de Makita.

Consejos para alargar al máximo la vida de servicio de la batería

1. Cargue el cartucho de batería antes de que se descargue completamente. Detenga siempre la operación y cargue el cartucho de batería cuando note menos potencia en la herramienta.
2. No cargue nunca un cartucho de batería que esté completamente cargado. La sobrecarga acortará la vida de servicio de la batería.
3. Cargue el cartucho de batería a temperatura ambiente de 10 °C - 40 °C. Si un cartucho de batería está caliente, déjelo enfriar antes de cargarlo.
4. Cargue el cartucho de batería si no lo utiliza durante un periodo de tiempo prolongado (más de seis meses).

DESCRIPCIÓN DEL FUNCIONAMIENTO

⚠PRECAUCIÓN: Asegúrese siempre de que la herramienta está apagada y el cartucho de batería retirado antes de realizar cualquier ajuste o comprobación en la herramienta.

Instalación o extracción del cartucho de batería

⚠️ PRECAUCIÓN: Apague siempre la herramienta antes de instalar o retirar el cartucho de batería.

⚠️ PRECAUCIÓN: Sujete la herramienta y el cartucho de batería firmemente cuando instale o retire el cartucho de batería. Si no sujeta la herramienta y el cartucho de batería firmemente podrán caérsele de las manos y resultar en daños a la herramienta y al cartucho de batería y heridas personales.

► **Fig.1:** 1. Indicador rojo 2. Botón 3. Cartucho de batería

Para retirar el cartucho de batería, deslícelo de la herramienta mientras desliza el botón de la parte frontal del cartucho.

Para instalar el cartucho de batería, alinee la lengüeta del cartucho de batería con la ranura de la carcasa y deslícelo hasta que encaje en su sitio. Insértelo a tope hasta que se bloquee en su sitio produciendo un pequeño chasquido. Si puede ver el indicador rojo en el lado superior del botón, no estará bloqueado completamente.

⚠️ PRECAUCIÓN: Instale siempre el cartucho de batería completamente hasta que no pueda verse el indicador rojo. En caso contrario, podrá caerse accidentalmente de la herramienta y ocasionarle heridas a usted o a alguien que esté cerca de usted.

⚠️ PRECAUCIÓN: No instale el cartucho de batería empleando fuerza. Si el cartucho no se desliza al interior fácilmente, será porque no está siendo insertado correctamente.

Sistema de protección de la herramienta / batería

La herramienta está equipada con un sistema de protección de la herramienta/batería. Este sistema corta automáticamente la alimentación del motor para alargar la vida útil de la herramienta y la batería. La herramienta se detendrá automáticamente durante la operación si la herramienta o la batería es puesta en una de las condiciones siguientes. En algunas condiciones, los indicadores se iluminan.

Protección contra sobrecarga

Cuando la herramienta es utilizada de una manera que da lugar a que tenga que absorber una corriente anormalmente alta, la herramienta se detiene automáticamente sin ninguna indicación. En esta situación, apague la herramienta y detenga la tarea que ocasiona la sobrecarga de la herramienta. Después encienda la herramienta para volver a empezar.

Protección contra el recalentamiento

Cuando la herramienta se recalienta, la herramienta se detiene automáticamente. Deje que la herramienta se enfríe antes de encender la herramienta otra vez.

Protección contra descarga excesiva

Cuando la capacidad de la batería sea baja, la herramienta se detendrá automáticamente. Si el producto no funciona aun cuando los interruptores sean accionados, retire las baterías de la herramienta y cárguelas.

Modo de indicar la capacidad de batería restante

Solamente para cartuchos de batería con "B" al final del número de modelo

► **Fig.2:** 1. Lámparas indicadoras 2. Botón de comprobación

Presione el botón de comprobación en el cartucho de batería para indicar la capacidad de batería restante. Las lámparas indicadoras se iluminan durante unos pocos segundos.

Lámparas indicadoras			Capacidad restante
Iluminada	Apagada	Parpadeando	
■	□	◐	75% a 100%
■	■	■	
■	■	□	50% a 75%
■	■	□	
■	□	□	25% a 50%
■	□	□	
■	□	□	0% a 25%
■	□	□	
◐	□	□	Cargue la batería.
◐	□	□	
■	■	□	Puede que la batería no esté funcionando bien.
□	□	■	

NOTA: Dependiendo de las condiciones de utilización y de la temperatura ambiente, la indicación podrá variar ligeramente de la capacidad real.

Posición de la caja de interruptor

La caja de interruptor se puede colgar en ambos lados del cintillo inferior. Disponga el cable de manera que la caja de interruptor quede en el lado que usted desea. Para evitar que el cable se dañe, páselo a través del gancho como se muestra en la ilustración.

► **Fig.3:** 1. Gancho 2. Cable

Correas de ajuste

La tirantez de las correas de hombro, y de los cintos superior e inferior se puede ajustar. Ponga sus brazos a través de las correas de hombro primero y después apriete los cintos superior e inferior. Para apretar, tire del extremo de la correa como se muestra en la ilustración. Para aflojar, tire hacia arriba del extremo del fijador.

Correas de hombro

► **Fig.4:** 1. Correa 2. Fijador

Cinto superior

► Fig.5: 1. Correa 2. Fijador

Cinto inferior

► Fig.6: 1. Correa 2. Fijador

Gancho de transporte

Agarre siempre el gancho de transporte cuando maneje el cuerpo de la aspiradora.

► Fig.7: 1. Gancho de transporte

Banda de manguera

La banda de manguera se puede utilizar para sujetar el tubo o la boquilla libre.

Para sujetar el tubo en el cuerpo de la aspiradora, pase la banda de manguera a través de la ranura en el cuerpo. Puede colocar la banda de manguera en cualquiera de los lados.

► Fig.8: 1. Banda de manguera 2. Ranura 3. Tubo de extensión

Para sujetar la boquilla libre en el cinto inferior, pase la banda de manguera a través del lazo del cinto inferior.


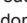

► Fig.9: 1. Banda de manguera 2. Boquilla libre

Tubo de extensión

La longitud del tubo se puede ajustar. Afloje el anillo del tubo y ajuste la longitud del tubo. Apriete el anillo a la longitud que desee.

► Fig.10: 1. Anillo



Accionamiento del interruptor

Para comenzar a limpiar, presione el botón  una vez. La aspiradora comenzará en una potencia de succión más alta (2). Si quiere reducir la potencia de succión, presione el botón  una vez más. La aspiradora funcionará a la potencia de succión normal (1). Cuando presione el botón mientras la aspiradora está en marcha, la potencia de succión cambiará entre potencia de succión más alta y normal. Para apagar la aspiradora, presione el botón .

► Fig.11

Luz LED

En la cabeza de la caja de interruptor hay instalada una luz LED para facilitar la operación en lugares oscuros.

Presione el botón  para encender la luz. Para apagar, presione el botón  otra vez.

► Fig.12

⚠PRECAUCIÓN: No mire la luz o vea la fuente de luz directamente. No apunte nunca la luz a los ojos de otras personas.

NOTA: La luz LED se apaga automáticamente cuando la aspiradora no es utilizada durante más de 10 minutos.

NOTA: La aspiradora se apagará automáticamente y la luz LED parpadeará cuando la aspiradora se recaliente debido a una reducción del flujo de aire hacia el interior de la máquina a causa de la obturación de la manguera, el tubo, el filtro o por otras razones.

MONTAJE

⚠PRECAUCIÓN: Asegúrese siempre de que la herramienta está apagada y el cartucho de batería retirado antes de realizar cualquier trabajo en la herramienta.

Ensamblaje de la manguera/tubo/boquilla

Conecte el cuerpo de la aspiradora con la manguera, el tubo y la boquilla. Inserte el manguito de manguera en el cuerpo de la aspiradora y gírelo hacia la derecha. Conecte la boquilla al tubo de extensión. Después de esto, cargue al hombro el cuerpo de la aspiradora y conecte la manguera con el tubo de extensión.

Conexión del cuerpo de la aspiradora y la manguera

► Fig.13: 1. Manguito de manguera 2. Cuerpo de la aspiradora

Conexión del tubo de extensión y la boquilla

► Fig.14: 1. Tubo de extensión 2. Boquilla libre 3. Boquilla en T

NOTA: La boquilla libre se puede colocar directamente en la manguera.

Conexión de la manguera y el tubo de extensión

► Fig.15: 1. Manguera 2. Tubo de extensión 3. Boquilla libre

NOTA: La boquilla libre se puede colocar en la manguera directamente.

Instalación de la bolsa de filtro

⚠PRECAUCIÓN: No utilice una bolsa de filtro dañada. Utilice siempre la aspiradora con la bolsa de filtro instalada debidamente. De lo contrario el polvo o las partículas recogidos podrán escapar por la aspiradora y ocasionar afección respiratoria al operario.

AVISO: Cuando la bolsa de filtro ya esté llena, reemplácela con una nueva. Continuar utilizando con la bolsa de filtro llena resultará en una reducción de la potencia de succión.

1. Desbloquee el cierre levantando el lado inferior. Presione el área ranurada para levantar el lado de cierre delantero. Tire del cierre para abrir la tapa.

► Fig.16: 1. Gancho 2. Tapa

2. Inserte la bolsa de filtro en la comisura de la parte superior de la cavidad como se muestra en la ilustración.

► **Fig.17:** 1. Comisura 2. Bolsa de filtro / bolsa de polvo

Cuando utilice la bolsa de polvo (accesorio opcional), inserte el borde de la bolsa de polvo en la comisura.

► **Fig.18:** 1. Comisura 2. Borde

3. Alinee el agujero de la bolsa de filtro con el manguito de manguera y presione la porción de cartón hasta el final. Asegúrese de que el anillo de goma de la bolsa de filtro pasa sobre el borde del manguito de manguera.

► **Fig.19:** 1. Anillo de goma de la bolsa de filtro
2. Borde del manguito de manguera
3. Porción de cartón de la bolsa de filtro
4. Manguito de manguera

OPERACIÓN

⚠ADVERTENCIA: Los operarios deberán ser instruidos adecuadamente sobre la utilización de la aspiradora.

⚠ADVERTENCIA: Esta aspiradora no es apropiada para recoger polvo peligroso.



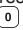
⚠PRECAUCIÓN: Esta aspiradora es para uso seco solamente.

⚠PRECAUCIÓN: Esta aspiradora es para uso en interiores solamente.

⚠PRECAUCIÓN: Inserte siempre el cartucho de batería a tope hasta que se bloquee en su sitio. Si puede ver el indicador rojo en el lado superior del botón, no estará bloqueado completamente. Insértelo completamente hasta que el indicador rojo no pueda verse. En caso contrario, podrá caerse accidentalmente de la herramienta y ocasionarle heridas a usted o a alguien que esté cerca de usted.

1. Cargue al hombro el cuerpo de la aspiradora y apriete los cintos superior e inferior. Ajuste la tirantez si es necesario.

► **Fig.20**

2. Presione el botón  para comenzar a limpiar. Si quiere reducir la potencia de succión, presione el botón  una vez más. Presione el botón  para parar.

► **Fig.21**

Durante la limpieza, enganche la caja de interruptor en el cinto inferior. El gancho se puede inclinar para alumbra hacia adelante.

► **Fig.22**

Cuando suspenda la operación, puede utilizar el gancho de la manguera para colgar el tubo en el cinto inferior.

► **Fig.23**

NOTA: La aspiradora se apagará automáticamente y la luz LED parpadeará cuando la aspiradora se recalcie debido a una reducción del flujo de aire hacia el interior de la máquina a causa de la obturación de la manguera, el tubo, el filtro o por otras razones. En este caso, retire la causa del problema y enfríe la aspiradora antes de volver a encenderla.

3. Reemplace la bolsa de filtro cuando se llene. Abra la tapa y saque la bolsa de filtro. Tire de la tira del lado de la abertura para cerrar la bolsa de filtro y tire la bolsa de filtro en su totalidad.

► **Fig.24:** 1. Tira

Cuando utilice una bolsa de polvo (accesorio opcional), extraiga la bolsa de polvo y vacíe el polvo librando el cierre.

► **Fig.25:** 1. Cierre

AVISO: Compruebe periódicamente la bolsa de filtro por si está llena. Continuar utilizando con la bolsa de filtro llena resultar en una reducción de la potencia de succión.

AVISO: No utilice una bolsa de filtro ya usada. La bolsa de filtro ha sido diseñada para ser usada una sola vez. Si quiere utilizar la bolsa repetidamente, utiliza una bolsa de polvo (accesorio opcional).

MANTENIMIENTO

⚠PRECAUCIÓN: Asegúrese siempre de que la herramienta está apagada y de que el cartucho de batería está retirado antes de intentar hacer una inspección o mantenimiento.

AVISO: No utilice nunca gasolina, bencina, disolvente, alcohol o similares. Podría producir descoloración, deformación o grietas.

Limpieza del filtro

⚠PRECAUCIÓN: No utilice la aspiradora sin filtro o continúe utilizándola con un filtro sucio o dañado. El polvo o las partículas recogidos podrán escapar por la aspiradora y ocasionar afección respiratoria al operario.

AVISO: Para mantener la potencia de succión óptima y el escape limpio, limpie el filtro periódicamente. Si no se obtiene suficiente potencia de succión aun después de limpiar, reemplace el filtro con uno nuevo.

AVISO: Para evitar que el filtro se dañe, no utilice un sacudidor por aire y/o lavador con mucha presión para la limpieza.

1. Abra la tapa y saque la bolsa de filtro. Libere el gancho del filtro y retírelo del cuerpo de la aspiradora.

► **Fig.26**

2. Sacuda el polvo del filtro golpeándolo suavemente. El filtro se puede lavar con agua. Retire el polvo y las partículas enjuagando el filtro cada 1 o 2 meses. Después de eso, seque el filtro completamente en un lugar a la sombra y bien ventilado para evitar olores desagradables o un mal funcionamiento.

3. Para instalar el filtro, inserte el lado sin solapa en el soporte y después empuje el filtro hacia abajo hasta que la solapa quede sujeta por la nervadura.

► **Fig.27:** 1. Soporte 2. Filtro 3. Nervadura 4. Solapa

Limpeza de la bolsa de polvo

Limpe regularmente la bolsa de polvo con jabón y agua. Vuelva la bolsa de polvo del revés y retire el polvo adherido. Lávela a mano ligeramente y aclárela bien con agua. Séquela completamente antes de instalarla en el aspirador.

► **Fig.28**

AVISO: Una bolsa de polvo mojada reduce el rendimiento de aspiración así como la vida de servicio del motor.

Para mantener la SEGURIDAD y FIABILIDAD del producto, las reparaciones, y cualquier otra tarea de mantenimiento o ajuste deberán ser realizadas en centros de servicio o de fábrica autorizados por Makita, empleando siempre repuestos Makita.

ACCESORIOS OPCIONALES

⚠PRECAUCIÓN: Estos accesorios o aditamentos están recomendados para su uso con la herramienta Makita especificada en este manual.

El uso de cualquier otro accesorio o aditamento puede suponer un riesgo de heridas personales. Utilice el accesorio o aditamento solamente con la finalidad indicada para el mismo.

Si necesita cualquier ayuda para más detalles en relación con estos accesorios, pregunte al centro de servicio Makita local.

- Manguera flexible
- Tubo de extensión
- Boquilla libre
- Boquilla en T
- Boquilla para alfombra
- Cepillo para estanterías
- Cepillo redondo
- Bolsa de filtro
- Bolsa de polvo
- Filtro
- Batería y cargador genuinos de Makita

NOTA: Algunos elementos de la lista podrán estar incluidos en el paquete de la herramienta como accesorios estándar. Pueden variar de un país a otro.

ESPECIFICAÇÕES

Modelo:		DVC260
Capacidade	Saco do filtro	2,0 L
	Saco para pó	1,5 L
Volume máximo de ar		1,5 m ³ /min
Dimensões (C x L x A) (excluindo a cablagem)		185 mm x 230 mm x 373 mm
Tensão nominal		CC 36 V
Bateria padrão	BL1815N, BL1820, BL1820B	BL1830, BL1830B, BL1840, BL1840B, BL1850, BL1850B, BL1860B
Peso líquido	3,8 kg	4,3 kg

- Devido a um programa contínuo de pesquisa e desenvolvimento, estas especificações estão sujeitas a alteração sem aviso prévio.
- As especificações e a bateria podem variar de país para país.
- Peso, com a bateria, de acordo com o Procedimento 01/2003 da EPTA (European Power Tool Association)

Símbolos

A seguir são apresentados os símbolos utilizados para o equipamento. Certifique-se de que compreende o seu significado antes de utilizar o equipamento.



Leia o manual de instruções.



Apenas para países da UE.
Não elimine equipamentos elétricos ou baterias com o lixo doméstico! Tendo em conta as Diretivas europeias relativas a resíduos de equipamentos elétricos e eletrónicos e baterias e acumuladores e resíduos de baterias e acumuladores e à implementação das mesmas de acordo com as leis nacionais, os equipamentos elétricos e as baterias e pacotes de baterias que chegaram ao fim da vida têm de ser recolhidos separadamente e entregues a instalações de reciclagem ambientalmente compatíveis.

Utilização a que se destina

A ferramenta serve para recolher pó seco. A ferramenta é adequada para utilização comercial, por exemplo, em hotéis, escolas, hospitais, fábricas, lojas, escritórios e empresas de aluguer.

Ruído

A característica do nível de ruído A determinado de acordo com a 60332-2-69, 60704-2-1:
Nível de pressão acústica (L_{pA}): 70 dB (A) ou menos
Variabilidade (K): 2,5 dB (A)

O nível de ruído durante o funcionamento pode exceder 80 dB (A).

AVISO: Utilize protetores auriculares.

Vibração

Valor total da vibração (soma vetorial tri-axial) determinado de acordo com a 60335-2-69:

Modo de trabalho: cortar tábuas

Emissão de vibração (a_h): 2,5 m/s² ou menos

Variabilidade (K): 1,5 m/s²

NOTA: O valor da emissão de vibração indicado foi medido de acordo com o método de teste padrão e pode ser utilizado para comparar duas ferramentas.

NOTA: O valor da emissão de vibração indicado pode também ser utilizado na avaliação preliminar da exposição.

AVISO: A emissão de vibração durante a utilização real da ferramenta elétrica pode diferir do valor de emissão indicado, dependendo das formas como a ferramenta é utilizada.

AVISO: Certifique-se de identificar as medidas de segurança para proteção do operador que sejam baseadas em uma estimativa de exposição em condições reais de utilização (considerando todas as partes do ciclo de operação, tal como quando a ferramenta está desligada e quando está a funcionar em marcha lenta além do tempo de acionamento).

Declaração de conformidade CE

Só para países Europeus

A Makita declara que a(s) seguinte(s) máquina(s):

Designação da ferramenta: Aspirador Costal a Bateria

N.º/ Tipo de modelo: DVC260

Em conformidade com as seguintes diretivas europeias: 2006/42/CE

São fabricadas de acordo com as seguintes normas ou documentos normalizados: EN60335

O ficheiro técnico, que está em conformidade com a 2006/42/CE, está disponível em:

Makita, Jan-Baptist Vinkstraat 2, 3070, Bélgica
8.9.2015

AVISOS DE SEGURANÇA

Avisos de segurança do aspirador a bateria

⚠️ AVISO: IMPORTANTE! LEIA COM ATENÇÃO todos os avisos de segurança e todas as instruções ANTES DA UTILIZAÇÃO. Caso não siga os avisos e instruções, pode apanhar um choque elétrico, provocar um incêndio e/ou ferimentos graves.

1. Antes de utilizar, certifique-se de que este aspirador é utilizado por pessoas que tenham recebido instruções adequadas sobre a utilização deste aspirador.
2. Não utilize o aspirador sem o filtro. Substitua imediatamente o filtro danificado.
3. Não tente aspirar materiais inflamáveis, fogo de artifício, cigarros acesos, cinzas quentes, aparas metálicas quentes, materiais aguçados como lâminas, agulhas, vidro partido ou outros do género.
4. **NUNCA UTILIZE O ASPIRADOR JUNTO DE GASOLINA, GÁS, TINTA, COLAS OU OUTRAS SUBSTÂNCIAS ALTAMENTE EXPLOSIVAS.** O interruptor emite faíscas quando se liga e desliga. O mesmo acontece com o comutador do motor durante o funcionamento. Pode resultar em explosão perigosa.
5. Nunca aspire produtos tóxicos, carcinogénicos, combustíveis ou outros materiais perigosos como amianto, arsénico, bário, berílio, chumbo, pesticidas ou outros materiais que ponham a saúde em perigo.
6. Nunca utilize o aspirador no exterior, à chuva.
7. Não utilize junto de fontes de calor (fornos, etc.).
8. Não bloqueie os ventiladores de arrefecimento. Estes ventiladores permitem arrefecer o motor. Os entupimentos devem ser cuidadosamente evitados, caso contrário, o motor queima por falta de ventilação.
9. Mantenha sempre o equilíbrio e os pés bem assentes no chão.
10. Não dobre, arraste nem pise a mangueira.
11. Desligue imediatamente o aspirador se notar qualquer falta de desempenho ou algo fora do normal durante o funcionamento.
12. **DESLIGUE AS BATERIAS.** Quando não estiver a utilizar o aparelho, antes da assistência técnica e quando mudar de acessórios.
13. Limpe e faça a assistência ao aspirador imediatamente após cada utilização para o manter nas condições de funcionamento normal.
14. **CONSERVE O ASPIRADOR COM CUIDADO.** Mantenha o aspirador limpo para obter um desempenho melhor e mais seguro. Siga as instruções para mudar os acessórios. Mantenha as pegas secas, limpas e sem óleo e gordura.
15. **VERIFIQUE AS PEÇAS DANIFICADAS.** Antes de continuar a utilizar o aspirador deve verificar cuidadosamente se qualquer resguardo ou outra peça está danificado para determinar se o aspirador funcionará adequadamente e realizará a função pretendida. Verifique o alinhamento das peças móveis, a união das peças móveis, a quebra de peças, a montagem e quaisquer outras condições que possam afetar o seu funcionamento. Um resguardo ou outra peça danificado deve ser adequadamente reparado ou substituído por um centro de assistência autorizado, a menos que indicado o contrário em qualquer outro lugar neste manual. Peça a substituição de interruptores defeituosos junto de um centro de assistência autorizado. Não utilize o aspirador se o interruptor não o ligar ou desligar.
16. **PEÇAS DE SUBSTITUIÇÃO.** Durante a assistência, utilize apenas peças de substituição idênticas.
17. **GUARDE O ASPIRADOR PARADO.** Quando não estiver a utilizar o aspirador, deve guardá-lo no interior.
18. Tenha cuidado com o aspirador. Um manuseamento severo pode provocar quebras até mesmo ao aspirador mais robusto.
19. Não tente limpar o exterior ou o interior com gasolina, diluente ou produtos químicos de limpeza. Pode provocar rachas ou descoloração.
20. Não utilize o aspirador num espaço fechado onde existam vapores inflamáveis, explosivos ou tóxicos devido a tintas à base de óleo, diluente de tinta, gasolina, algumas substâncias repelentes de traças, etc. ou em áreas onde estejam presentes poeiras inflamáveis.
21. Não utilize o aspirador sob a influência de drogas ou álcool.
22. Utilize óculos de segurança ou de proteção com proteções laterais como medida básica de segurança.
23. Utilize uma máscara contra pó em condições de trabalho poeirentas.
24. Esta máquina não deve ser utilizada por pessoas com capacidades físicas, sensoriais ou mentais reduzidas nem por crianças ou pessoas com falta de experiência ou conhecimentos.
25. As crianças pequenas devem ser supervisionadas para garantir que não brincam com o aspirador.
26. Nunca manuseie as baterias e o aspirador com as mãos molhadas.
27. Tenha extremo cuidado quando limpar escadas.
28. Não utilize o aspirador como banco ou bancada de trabalho. A máquina pode cair e resultar em ferimentos pessoais.

Assistência

1. A ferramenta elétrica deve receber assistência por parte de pessoal qualificado que utilize apenas peças de substituição idênticas. Isto garantirá que a segurança da ferramenta elétrica é mantida.
2. Siga as instruções para lubrificação e mudança de acessórios.
3. Mantenha as peças secas, limpas e sem óleo e massa lubrificante.

Instruções de segurança importantes para a bateria

1. Antes de utilizar a bateria, leia todas as instruções e etiquetas de precaução no (1) carregador de bateria (2) bateria e (3) produto que utiliza a bateria.
2. Não abra a bateria.
3. Se o tempo de funcionamento se tornar excessivamente curto, pare o funcionamento imediatamente. Pode resultar em sobreaquecimento, possíveis queimaduras e mesmo explosão.
4. Se entrar eletrólito nos seus olhos, lave-os com água e consulte imediatamente um médico. Pode resultar em perda de visão.
5. Não coloque a bateria em curto-circuito:
 - (1) Não toque nos terminais com qualquer material condutor.
 - (2) Evite guardar a bateria juntamente com outros objetos metálicos tais como pregos, moedas, etc.
 - (3) Não exponha a bateria à água ou chuva. Um curto-circuito pode ocasionar um enorme fluxo de corrente, sobreaquecimento, possíveis queimaduras e mesmo estragar-se.
6. Não guarde a ferramenta e a bateria em locais onde a temperatura pode atingir ou exceder 50°C.
7. Não queime a bateria mesmo que esteja estragada ou completamente gasta. A bateria pode explodir no fogo.
8. Tenha cuidado para não deixar cair ou dar pancadas na bateria.
9. Não utilize uma bateria danificada.
10. As baterias de íons de lítio contidas na ferramenta são sujeitas aos requisitos da DGL (Dangerous Goods Legislation - Legislação de bens perigosos).

Para o transporte comercial, por exemplo, por terceiros ou agentes de expedição, têm de ser observados os requisitos referentes à embalagem e etiquetagem.

Para preparação do artigo a ser expedido, é necessário consultar um perito em materiais perigosos. Tenha ainda em conta a possibilidade de existirem regulamentos nacionais mais detalhados.

Coloque fita-cola ou tape os contactos abertos e embale a bateria de tal forma que não possa mover-se dentro da embalagem.
11. Siga os regulamentos locais relacionados com a eliminação de baterias.

GUARDE ESTAS INSTRUÇÕES.

⚠PRECAUÇÃO: Utilize apenas baterias genuínas da Makita. A utilização de baterias não genuínas da Makita ou de baterias que foram alteradas, pode resultar no reventamento da bateria provocando incêndios, ferimentos pessoais e danos. Além disso, anulará da garantia da Makita no que se refere à ferramenta e ao carregador Makita.

Conselhos para manter a máxima vida útil da bateria

1. Carregue a bateria antes que esteja completamente descarregada. Pare sempre o funcionamento da ferramenta e carregue a bateria quando notar menos poder na ferramenta.
2. Nunca carregue uma bateria completamente carregada. Carregamento excessivo diminui a vida útil da bateria.
3. Carregue a bateria à temperatura ambiente de 10°C – 40°C. Deixe que uma bateria quente arrefeça antes de a carregar.
4. Carregue a bateria se não a utilizar durante um longo período de tempo (mais de seis meses).

DESCRIÇÃO FUNCIONAL

⚠PRECAUÇÃO: Certifique-se sempre de que a ferramenta está desligada e a bateria foi retirada antes de regular ou verificar qualquer função na ferramenta.

Instalação ou remoção da bateria

⚠PRECAUÇÃO: Desligue sempre a ferramenta antes de colocar ou retirar a bateria.

⚠PRECAUÇÃO: Segure firmemente a ferramenta e a bateria quando instalar ou remover a bateria. Se não segurar firmemente a ferramenta e a bateria pode fazer com que escorreguem das suas mãos resultando em danos na ferramenta e na bateria e ferimentos pessoais.

► Fig. 1: 1. Indicador vermelho 2. Botão 3. Bateria

Para retirar a bateria, deslize-a para fora da ferramenta enquanto desliza o botão na frente da bateria.

Para instalar a bateria, alinhe a lingueta da bateria com a ranhura no compartimento e deslize-a no lugar. Empurre-a até o fim para que a mesma encaixe no lugar com um clique. Se puder ver a parte vermelha no lado superior do botão, significa que não está completamente bloqueada.

⚠PRECAUÇÃO: Instale sempre a bateria até ao fim, até deixar de ver o indicador vermelho. Caso contrário, a bateria poderá cair da ferramenta acidentalmente e provocar ferimentos em si mesmo ou em alguém próximo.

⚠PRECAUÇÃO: Não instale a bateria à força. Se a bateria não deslizar facilmente é porque não foi colocada corretamente.

Sistema de proteção da ferramenta/bateria

A ferramenta está equipada com um sistema de proteção da ferramenta/bateria. Este sistema corta automaticamente a corrente ao motor para prolongar a vida útil da ferramenta e da bateria. A ferramenta para automaticamente durante o funcionamento se a ferramenta ou a bateria se encontrarem numa das seguintes condições. Nalgumas condições, a luz indicadora acende.

Proteção contra sobrecarga

Quando a ferramenta é utilizada de tal forma que puxa uma corrente demasiado elevada, a ferramenta para automaticamente sem qualquer indicação. Nesta situação, desligue a ferramenta e pare a aplicação que provocou a sobrecarga da ferramenta. Depois, volte a ligar a ferramenta para voltar ao trabalho.

Proteção contra sobreaquecimento

Quando a ferramenta aquece demasiado, a ferramenta para automaticamente. Deixe a ferramenta arrefecer antes de tentar voltar a ligá-la.

Proteção contra descarga excessiva

Quando a capacidade da bateria é baixa, a ferramenta para automaticamente. Se o produto não funcionar mesmo quando os interruptores são acionados, retire as baterias da ferramenta e carregue-as.

Indicação da capacidade restante da bateria

Apenas as baterias com a indicação "B" no final do número do modelo

► **Fig.2:** 1. Luzes indicadoras 2. Botão de verificação

Prima o botão de verificação na bateria para indicar a capacidade restante da bateria. As luzes indicadoras acendem durante alguns segundos.

Luzes indicadoras			Capacidade restante
Aceso	Apagado	A piscar	
			75% a 100%
			50% a 75%
			25% a 50%
			0% a 25%
			Carregar a bateria.
			A bateria pode estar avariada.

NOTA: Dependendo das condições de utilização e da temperatura ambiente, a indicação pode ser ligeiramente diferente da capacidade real.

Posição da caixa de interruptores

A caixa de interruptores pode ficar enganchada em qualquer um dos lados do cinto inferior. Coloque o cabo de forma a que a caixa de interruptores fique do lado que pretender. Para evitar que o cabo fique danificado, passe-o através do gancho, como ilustrado.

► **Fig.3:** 1. Gancho 2. Cabo

Cintos de ajuste

O aperto dos cintos de ombro e dos cintos superior e inferior pode ser ajustado. Primeiro, passe os braços através dos cintos de ombro, depois, aperte os cintos superior e inferior. Para apertar, puxe a extremidade da correia como ilustrado. Para soltar, puxe para cima a extremidade do prendedor.

Cintos de ombros

► **Fig.4:** 1. Correia 2. Prendedor

Cinto superior

► **Fig.5:** 1. Correia 2. Prendedor

Cinto inferior

► **Fig.6:** 1. Correia 2. Prendedor

Gancho de transporte

Agarre sempre pelo gancho de transporte quando manusear o corpo do aspirador.

► **Fig.7:** 1. Gancho de transporte

Faixa da mangueira

A faixa da mangueira pode ser utilizada para segurar o tubo ou o bocal livre.

Para fixar o tubo ao corpo do aspirador, passe a faixa da mangueira através da ranhura no corpo. Pode prender a faixa da mangueira em qualquer um dos lados.

► **Fig.8:** 1. Faixa da mangueira 2. Ranhura 3. Tubo extensor

Para fixar o bocal livre no cinto inferior, passe a faixa da mangueira através da laçada no cinto inferior.

► **Fig.9:** 1. Faixa da mangueira 2. Bocal livre


Tubo extensor

O comprimento do tubo pode ser ajustado. Solte o anel no tubo e ajuste o comprimento do tubo. Aperte o anel ao comprimento pretendido.

► **Fig.10:** 1. Anel



Ação do interruptor

Para começar a aspirar, prima o botão uma vez. O aspirador começa a funcionar com uma potência de sucção mais elevada (2). Se pretender baixar a potência de sucção, prima o botão mais uma vez. O aspirador funcionará com uma potência de sucção

normal (1). Se premir o botão enquanto o aspirador está a funcionar, a potência de sucção muda entre alta e normal. Para desligar o aspirador, prima o botão .

► Fig.11

Luz LED

A luz LED está instalada na parte superior da caixa de interruptores para facilitar as operações em locais escuros. Prima o botão  para acender a luz. Para apagar, prima novamente o botão .

► Fig.12

⚠PRECAUÇÃO: Não olhe para a luz, nem observe a fonte de luz diretamente. Nunca aponte a luz para os olhos das outras pessoas.

NOTA: A luz LED apaga-se automaticamente quando o aspirador não está a funcionar há mais de 10 minutos.

NOTA: O aspirador desliga-se automaticamente e a luz LED pisca quando o aspirador aquece demasiado devido a fluxo reduzido de entrada de ar dentro da máquina provocado por um entupimento da mangueira, do tubo, do filtro ou por outra razão.

MONTAGEM

⚠PRECAUÇÃO: Certifique-se sempre de que a ferramenta está desligada e a bateria retirada antes de executar qualquer trabalho na ferramenta.

Montar a mangueira/tubo/bocal

Ligue o corpo do aspirador à mangueira, tubo e bocal. Insira a bainha da mangueira dentro do corpo do aspirador e gire-a para a direita. Ligue o bocal ao tubo extensor. Depois disso, coloque o corpo do aspirador aos ombros e, depois, ligue a mangueira com o tubo extensor.

Ligar o corpo do aspirador e a mangueira

► Fig.13: 1. Bainha da mangueira 2. Corpo do aspirador

Ligar o tubo extensor e o bocal

► Fig.14: 1. Tubo extensor 2. Bocal livre 3. Bocal em forma de T

NOTA: O bocal livre pode ser ligado diretamente à mangueira.

Ligar a mangueira e o tubo extensor

► Fig.15: 1. Mangueira 2. Tubo extensor 3. Bocal livre

NOTA: O bocal livre pode ser ligado diretamente à mangueira.

Instalar o saco do filtro

⚠PRECAUÇÃO: Não utilize um saco do filtro danificado. Utilize sempre o aspirador com o saco do filtro adequadamente instalado. Caso contrário, o pó ou as partículas aspiradas podem sair do aspirador e provocar doença respiratória ao operador.

OBSERVAÇÃO: Quando o saco do filtro está cheio, substitua por um novo. A utilização contínua com o saco do filtro cheio resulta em potência de sucção reduzida.

1. Desbloqueie o trinco levantando a parte do fundo. Empurre a área ranhurada para levantar a parte de fixação dianteira. Puxe o trinco para abrir a tampa.

► Fig.16: 1. Gancho 2. Tampa

2. Insira o saco do filtro dentro da fenda na parte superior do espaço, como ilustrado.

► Fig.17: 1. Fenda 2. Saco do filtro/saco para pó

Quando utilizar o saco para o pó (acessório opcional), insira a aba do saco para o pó dentro da fenda.

► Fig.18: 1. Fenda 2. Aba

3. Alinhe o orifício do saco do filtro com a bainha da mangueira e empurre a parte de cartão até ao fim. Certifique-se de que o anel de borracha no saco do filtro passa sobre a borda na bainha da mangueira.

► Fig.19: 1. Anel de borracha no saco do filtro
2. Borda na bainha da mangueira 3. Parte de cartão do saco do filtro 4. Bainha da mangueira

OPERAÇÃO

⚠AVISO: Os operadores devem receber instruções adequadas sobre a utilização do aspirador.

⚠AVISO: Este aspirador não é adequado para aspirar poeiras perigosas.

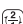
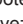
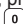
⚠PRECAUÇÃO: Este aspirador serve apenas para utilização a seco.

⚠PRECAUÇÃO: Este aspirador serve apenas para utilização em interiores.

⚠PRECAUÇÃO: Insira sempre a bateria por completo até bloquear no lugar com um clique. Se conseguir ver o indicador vermelho no lado superior do botão, é porque não está bloqueada completamente. Introduza-a totalmente até o indicador vermelho não puder ser visto. Se isso não acontecer, a bateria pode cair acidentalmente da ferramenta, causando-lhe ferimentos a si ou alguém perto de si.

1. Coloque o corpo do aspirador aos ombros e aperte os cintos superior e inferior. Ajuste o aperto conforme necessário.

► Fig.20

2. Prima o botão  para começar a limpar. Se pretender baixar a potência de sucção, prima o botão  mais uma vez. Prima o botão  para parar.

► Fig.21

Durante a limpeza, enganche a caixa de interruptores no cinto inferior. O gancho pode ser inclinado para iluminar para a frente.

► Fig.22

Quando suspender a operação, o gancho na mangueira pode ser utilizado para pendurar o tubo no cinto inferior.

► Fig.23

NOTA: O aspirador desliga-se automaticamente e a luz LED pisca quando o aspirador aquece demasiado devido a fluxo reduzido de entrada de ar dentro da máquina provocado por um entupimento da mangueira, do tubo, do filtro ou por outra razão. Neste caso, remova a causa do problema e arrefeça o aspirador antes de voltar a pô-lo a trabalhar.

3. Substitua o saco do filtro quando ficar cheio. Abra a tampa e retire o saco do filtro. Puxe a tira na parte lateral da abertura para fechar o saco do filtro e eliminá-lo inteiro.

► Fig.24: 1. Tira

Quando utilizar um saco para o pó (acessório opcional), retire o saco para o pó e elimine o pó libertando o trinco.

► Fig.25: 1. Trinco

OBSERVAÇÃO: Verifique periodicamente o saco do filtro para ver se está cheio. A utilização contínua com o saco do filtro cheio resulta em potência de sucção reduzida.

OBSERVAÇÃO: Não utilize um saco do filtro usado. O saco do filtro foi concebido para uma única utilização. Se pretender usar o saco repetidamente, utilize um saco para pó (acessório opcional).

MANUTENÇÃO

⚠PRECAUÇÃO: Certifique-se sempre de que a ferramenta se encontra desligada e de que a bateria foi retirada antes de executar qualquer inspeção ou manutenção.

OBSERVAÇÃO: Nunca utilize gasolina, benzina, diluente, álcool ou produtos semelhantes. Pode ocorrer a descoloração, deformação ou rachaduras.

Limpar o filtro

⚠PRECAUÇÃO: Não utilize o aspirador sem um filtro nem continue a utilizar um filtro sujo ou danificado. O pó ou as partículas aspiradas podem sair do aspirador e provocar doença respiratória ao operador.

OBSERVAÇÃO: Para manter a potência de sucção ideal e um escape limpo, limpe o filtro periodicamente. Se não obtiver a potência de sucção suficiente, mesmo depois da limpeza, substitua o filtro por um novo.

OBSERVAÇÃO: Para evitar que o filtro fique danificado, não utilize um espanador a ar e/ou um lavador de alta pressão para o limpar.

1. Abra a tampa e retire o saco do filtro. Solte o gancho no filtro e retire-o do corpo do aspirador.

► Fig.26

2. Bata o filtro para sacudir o pó. O filtro pode ser lavado com água. Lave o filtro para remover o pó e as partículas a cada 1 ou 2 meses. Depois disso, seque o filtro completamente num local bem ventilado e à sombra para evitar cheiros desagradáveis ou falhas de funcionamento.

3. Para instalar o filtro, insira o lado sem a dobra dentro do suporte, depois empurre o filtro para baixo até a dobra ficar presa pela nervura.

► Fig.27: 1. Suporte 2. Filtro 3. Nervura 4. Dobra

Limpar o saco para o pó

Limpe com regularidade o saco para o pó com sabão e água. Vire o saco para o pó do avesso e retire o pó que está colado. Lave ligeiramente à mão e passe bem por água. Seque completamente antes de instalar no aspirador.

► Fig.28

OBSERVAÇÃO: Os sacos para o pó molhados reduzem o desempenho de aspiração, bem como a vida do motor.

Para manter a SEGURANÇA e a FIABILIDADE do produto, as reparações e qualquer outra manutenção ou ajuste devem ser levados a cabo pelos centros de assistência Makita autorizados ou pelos centros de assistência de fábrica, utilizando sempre peças de substituição Makita.

ACESSÓRIOS OPCIONAIS

⚠PRECAUÇÃO: Estes acessórios ou peças são recomendados para utilização com a ferramenta Makita especificada neste manual. A utilização de outros acessórios ou peças pode ser perigosa para as pessoas. Utilize apenas acessórios ou peças para os fins indicados.

Se necessitar de informações adicionais relativas a estes acessórios, solicite-as ao seu centro de assistência Makita.

- Mangueira flexível
- Tubo extensor
- Bocal livre
- Bocal em forma de T
- Bocal para carpete
- Escova para prateleiras
- Escova redonda
- Saco do filtro
- Saco para pó
- Filtro
- Bateria e carregador genuínos da Makita

NOTA: Alguns itens da lista podem estar incluídos na embalagem da ferramenta como acessórios padrão. Eles podem variar de país para país.

SPECIFIKATIONER

Model:		DVC260
Kapacitet	Filterpose	2,0 L
	Støvpose	1,5 L
Maksimalt luftvolumen		1,5 m ³ /min
Dimensioner (L x B x H) (eksklusive skulderselen)		185 mm x 230 mm x 373 mm
Nominel spænding		DC 36 V
Standard-akku	BL1815N, BL1820, BL1820B	BL1830, BL1830B, BL1840, BL1840B, BL1850, BL1850B, BL1860B
Nettovægt	3,8 kg	4,3 kg

- På grund af vores kontinuerlige forsknings- og udviklingsprogrammer kan hosstående specifikationer blive ændret uden varsel.
- Specifikationer og akku kan variere fra land til land.
- Vægt inklusive akku, i henhold til EPTA-Procedure 01/2003

Symboler

Følgende viser de symboler, der anvendes til udstyret. Vær sikker på, at De forstår betydningen af symbolerne før brugen.



Læs betjeningsvejledningen.



Kun for landene i EU
Bortskaf ikke elektrisk udstyr eller batteripakken sammen med husholdningsaffald! I overensstemmelse med det europæiske direktiv om bortskaffelse af affald fra elektriske og elektroniske produkter samt batterier og akkuer, samt bortskaffelse af batterier og akkuer, og deres anvendelse i overensstemmelse med nationale love skal elektrisk udstyr samt batterier og batteripakke(r), der har nået udløbet af deres levetid, indsamles separat og returneres til en miljøvenlig genanvendelsesfacilitet.

Tilsigtet anvendelse

Denne maskine er beregnet til opslugning af tørt støv. Maskinen er egnet til kommerciel brug, for eksempel i hoteller, skoler, hospitaler, fabrikker, butikker, kontorer og udlejningsvirksomheder.

Lyd

Det typiske A-vægtede støjniveau bestemmt i overensstemmelse med 60332-2-69, 60704-2-1:
Lydtryksniveau (L_{pA}): 70 dB (A) eller derunder
Usikkerhed (K): 2,5 dB (A)

Støjniveauet under arbejdet kan overskride 80 dB (A).

⚠ ADVARSEL: Bær høreværn.

Vibration

Vibrationens totalværdi (tre-aksial vektorsum) bestemt i overensstemmelse med 60335-2-69:

Arbejdstilstand: skæring af brædder
Vibrationsemission (a_{h1}): 2,5 m/s² eller mindre
Usikkerhed (K): 1,5 m/s²

BEMÆRK: Den angivne vibrationsemissionsværdier blevet målt i overensstemmelse med standardtestmetoden og kan anvendes til at sammenligne et værktøj med et andet.

BEMÆRK: Den angivne vibrationsemissionsværdien kan også anvendes i en præliminær eksponeringsvurdering.

⚠ ADVARSEL: Vibrationsemissionen under den faktiske anvendelse af værktøjet kan være forskellig fra den erklærede emissionsværdi, afhængigt af den måde, hvorpå værktøjet anvendes.

⚠ ADVARSEL: Sørg for at identificere de sikkerhedsforskrifter til beskyttelse af operatøren, som er baseret på en vurdering af eksponering under de faktiske brugsforhold (med hensyntagen til alle dele i brugscyklussen, f.eks. de gange, hvor værktøjet er slukket, og når det kører i tomgang i tilgift til afbrydertiden).

EU-konformitetserklæring

Kun for lande i Europa

Makita erklærer, at den følgende maskine (maskiner):
Maskinens betegnelse: Akku rygstøvsuger
Model nr./ Type: DVC260

Opfylder betingelserne i de følgende EU-direktiver:
2006/42/EU

De er fremstillet i overensstemmelse med den følgende standard eller standardiserede dokumenter: EN60335
Den tekniske fil, som er i overensstemmelse med 2006/42/EU er tilgængelig fra:
Makita, Jan-Baptist Vinkstraat 2, 3070, Belgien



Yasushi Fukaya

Direktør

Makita, Jan-Baptist Vinkstraat 2, 3070, Belgien

SIKKERHEDSADVARSLER

Sikkerhedsadvarsler for akku støvsuger

⚠ ADVARSEL: VIGTIGT! LÆS OMHYGGELIGT alle sikkerhedsadvarsler og alle instruktioner FØR BRUGEN. Hvis advarslerne og instruktionerne ikke overholdes, kan det medføre elektrisk stød, brand og/eller alvorlig personskade.

- Før brugen skal du sørge for, at denne støvsuger anvendes af personer, der er tilstrækkeligt oplært i brugen af støvsugeren.
- Anvend ikke støvsugeren uden filteret. Udskift øjeblikkeligt et beskadiget filter.
- Forsøg ikke at opsuge brændbare materialer, fyrværkeri, tændte cigaretter, varm aske, varme metalspåner, skarpe genstande som f.eks. barberblade, nåle, glasskår eller lignende.
- BRUG ALDRIG STØVSUGEREN I NÆRHEDEN AF BENZIN, GAS, MALING, LIM ELLER ANDRE STÆRKT EKSPLOSIONSFARLIGE STOFFER.** Afbryderen udsender gnister, når der tændes eller slukkes. Det samme gør motorcommutatoren under brugen. Det kan medføre farlig eksplosion.
- Støvsug aldrig giftstoffer, kræftfremkaldende stoffer, brændbare stoffer eller andre farlige materialer som f.eks. asbest, arsenik, barium, beryllium, bly, insektmidler eller andre sundhedsskadelige materialer.
- Brug aldrig støvsugeren udenfor i regnvejr.
- Brug ikke i nærheden af varmekilder (komfurer og lignende).
- Bloker ikke ventilationsåbningerne til afkøling. Disse ventilationsåbninger muliggør afkøling af motoren. Blokering skal undgås omhyggeligt, da motoren ellers vil brænde sammen på grund af manglende ventilation.
- Oprethold til enhver tid korrekt fodfæste og balance.
- Undlad at sammenfolde, rykke i eller træde på slangen.
- Stop med det samme støvsugeren, hvis du bliver opmærksom på dårlig ydelse eller noget unormalt under brugen.
- TAG AKKUERNE UD.** Når maskinen ikke er i brug, før service, og når der skiftes tilbehør.
- Rengør og service støvsugeren umiddelbart efter hver brug for at holde den i tiptop funktionstilstand.
- VEDLIGEHOLD STØVSUGEREN OMHYGGELIGT.** Hold støvsugeren ren for at opnå bedre og sikrere ydelse. Følg instruktionerne for udskiftning af tilbehør. Hold håndtagene tørre, rene og fri for olie og fedt.
- KONTROLLER BESKADIGEDE DELE.** Før støvsugeren bruges igen, skal en beskyttelsesskærm eller anden del, som er beskadiget, kontrolleres omhyggeligt for at fastslå, om den vil fungere korrekt og udføre sin tilsigtede funktion. Kontroller for justeringen af bevægelige dele, binding af bevægelige dele, brud på dele, montering og alle andre forhold, der kan påvirke funktionaliteten. En beskyttelsesskærm eller anden del, der er beskadiget, skal repareres korrekt eller udskiftes af et autoriseret servicecenter, medmindre andet fremgår andetsteds i denne brugsanvisning. Få defekte afbrydere udskiftet hos et autoriseret servicecenter. Brug ikke støvsugeren, hvis afbryderen ikke kan tænde eller slukke for den.
- RESERVEDELE.** Brug kun identiske reservedele i forbindelse med service.
- OPBEVAR STØVSUGEREN, NÅR DEN IKKE BRUGES.** Når maskinen ikke er i brug, skal den opbevares indendørs.
- Behandl din støvsuger godt. Hårdhændet behandling kan medføre, at selv den mest solidt byggede støvsuger går i stykker.
- Forsøg ikke at rengøre udvendigt eller indvendigt med benzen, fortynder eller kemiske rengøringsmidler. Dette kan medføre revner og misfarvning.
- Brug ikke støvsugeren i et aflukket lokale, hvor der afgives brændbare, eksplosive eller giftige dampe fra oliebaseeret maling, malingsfortynder, benzin, visse mølmidler osv., eller på steder med brandfarligt støv.
- Anvend ikke støvsugeren, hvis du er påvirket af narkotika eller alkohol.
- Anvend som grundlæggende sikkerhedsregel beskyttelsesbriller eller sikkerhedsbriller med sideværn.
- Brug en støvmaske i støvede arbejdsforhold.
- Denne maskine er ikke beregnet til brug af personer, herunder børn, med reducerede fysiske, sensoriske eller mentale færdigheder eller manglende erfaring og viden.
- Små børn skal overvåges for at sikre, at de ikke leger med støvsugeren.
- Håndter aldrig akkuen og støvsugeren med våde hænder.
- Vær ekstremt forsigtig ved rengøring på trapper.
- Anvend ikke støvsugeren som taburet eller arbejdsbænk. Maskinen kan falde ned og forårsage personskade.

Service

- Få udført service på el-værktøjet hos en autoriseret mekaniker, og brug kun tilsvarende reservedele. Derved vedligeholdes el-værktøjets sikkerhed.
- Følg instruktionerne for smøring og udskiftning af tilbehør.
- Hold håndtagene tørre, rene og fri for olie og fedtstoffer.

Vigtige sikkerhedsinstruktioner for akkuen

1. Læs alle instruktioner og advarselsmærkater på (1) akku-opladeren, (2) akkuen og (3) produktet, som anvender akku.
2. Lad være med at skille akkuen ad.
3. Hold straks op med anvendelsen, hvis brugstiden er blevet stærkt afkortet. Fortsat anvendelse kan resultere i risiko for overophedning, forbrændinger og endog eksplosion.
4. Hvis De har fået elektrolytvæske i øjnene, skal De straks skylle den ud med rent vand og derefter øjeblikkeligt søge lægehjælp. I modsat fald kan De miste synet.
5. Vær påpasselig med ikke at komme til at kortslutte akkuen:
 - (1) Rør ikke ved terminalerne med noget ledende materiale.
 - (2) Undgå at opbevare akkuen i en beholder sammen med andre genstande af metal, for eksempel søm, mønter og lignende.
 - (3) Udsæt ikke akkuen for vand eller regn. Kortslutning af akkuen kan forårsage en kraftig øgning af strømmen, overophedning, mulige forbrændinger og endog værktøjstop.
6. Opbevar ikke værktøjet og akkuen på et sted, hvor temperaturen kan nå eller overstige 50 °C.
7. Lad være med at brænde akkuen, selv ikke i tilfælde, hvor den har lidt alvorlig skade eller er fuldstændig udtjent. Akkuen kan eksplodere, hvis man forsøger at brænde den.
8. Lad være med at brænde akkuen eller udsætte den for stød.
9. Anvend ikke en beskadiget akku.
10. De indbyggede litium-ion-batterier er underlagt lovkrav vedrørende farligt gods. Ved kommerciel transport, f.eks. af tredjeparts transportselskaber, skal særlige krav til forpakning og mærkning overholdes. Ved forberedelse af udstyret til forsendelse skal du kontakte en ekspert i farligt gods. Overhold også eventuel mere detaljeret national lovgivning. Tape eller tildæk åbne kontakter, og pak batteriet på en måde, så det ikke kan flytte sig rundt i pakningen.
11. Følg de lokale love vedrørende bortskaffelsen af batterier.

GEM DENNE BRUGSANVISNING.

⚠FORSIGTIG: Brug kun originale batterier fra Makita. Brug af uoriginale Makita-batterier, eller batterier som er blevet ændret, kan muligvis medføre brud på batteriet, hvilket kan forårsage brand, personskade eller beskadigelse. Det ugyldiggør også Makita-garantien for Makita-maskinen og opladeren.

Tips til opnåelse af maksimal akku-levetid

1. Oplad akkuen, inden den er helt afladet. Stop altid værktøjet, og oplad akkuen, hvis De bemærker, at værktøjseffekten er aftagende.

2. Genoplad aldrig en fuldt opladet akku. Overopladning vil afkorte akkuens levetid.
3. Oplad akkuen ved stuetemperatur ved 10 °C - 40 °C. Lad altid en varm akku få tid til at køle af, inden den oplades.
4. Oplad akkuen, hvis De ikke skal bruge den i længere tid (mere end seks måneder).

FUNKTIONSBESKRIVELSE

⚠FORSIGTIG: Sørg altid for at maskinen er slukket, og at akkuen er taget ud, før der udføres justering eller kontrol af funktioner på maskinen.

Isætning eller fjernelse af akkuen

⚠FORSIGTIG: Sluk altid for værktøjet, før De monterer eller fjerner akkuen.

⚠FORSIGTIG: Hold værktøjet og akkuen fast ved montering eller fjernelse af akkuen. Hvis De ikke holder værktøjet og akkuen fast, kan de glide ud af hænderne på Dem og forårsage beskadigelse af værktøjet og akkuen eller personskade.

► Fig.1: 1. Rød indikator 2. Knap 3. Akku

Akkuen fjernes ved, at De trækker den ud af værktøjet, idet De skyder knappen på forsiden af akkuen i stilling.

Akkuen monteres ved, at De sætter tungen på akkuen ud for noten i kabinettet og lader den glide på plads. Sæt den hele vejen ind, så den låses på plads med et lille klik. Hvis den røde indikator på oversiden af knappen er synlig, betyder det, at den ikke er tilstrækkeligt låst.

⚠FORSIGTIG: Monter altid akkuen helt, indtil den røde indikator ikke længere er synlig. Hvis dette ikke gøres, kan den falde ud af værktøjet ved et uheld, hvorved De selv eller personer i nærheden kan komme til skade.

⚠FORSIGTIG: Brug ikke magt ved montering af akkuen. Hvis akkuen ikke glider på plads uden problemer, betyder det, at den ikke sættes i på korrekt vis.

Beskyttelsessystem til værktøj/batteri

Værktøjet er forsynet med et beskyttelsessystem til værktøj/batteri. Dette system afbryder automatisk strømmen til motoren for at forlænge levetiden for værktøjet og batteriet. Værktøjet stopper automatisk under driften, hvis det eller batteriet kommer i en af følgende situationer. I nogle tilfælde lyser indikatorerne.

Overbelastningsbeskyttelse

Når værktøjet betjenes på en måde, der får den til at bruge unormalt meget strøm, stopper værktøjet automatisk uden indikation. Sluk i så fald for værktøjet, og stop den anvendelse, der bevirkede, at værktøjet blev overbelastet. Tænd derefter for værktøjet for at starte igen.

Beskyttelse mod overophedning

Hvis maskinen er overophedet, stopper maskinen automatisk. Lad maskinen køle ned, inden der igen tændes for maskinen.

Beskyttelse mod afladning

















Når batteriladningen bliver for lav, stopper værktøjet automatisk. Hvis produktet ikke fungerer, selvom kontakterne betjenes, skal De tage batterierne ud af værktøjet og lade batterierne op.

Indikation af den resterende batteriladning

Kun akkuer, hvor modelnummeret slutter med "B"

► **Fig.2:** 1. Indikatorlamper 2. Kontrolknop

Tryk på kontrolknappen på akkuen for at få vist den resterende batteriladning. Indikatorlampen lyser i nogle sekunder.

Indikatorlamper			Resterende ladning
Tændt	Slukket	Blinker	
			
			75% til 100%
			50% til 75%
			25% til 50%
			0% til 25%
			Genoplad batteriet.
			Der er muligvis fejl i batteriet.
			

BEMÆRK: Afhængigt af brugsforholdene og den omgivende temperatur kan indikationen afvige en smule fra den faktiske ladning.

Placering af afbryderkasse

Afbryderkassen kan fastgøres på begge sider af det nederste bælte. Arranger ledningen, så afbryderkassen placeres på den ønskede side. Før ledningen gennem krogen som vist for at forhindre, at ledningen bliver beskadiget.

► **Fig.3:** 1. Krog 2. Ledning

Justeringsbælter

Stramningen af skulderstropperne, det øverste og nederste bælte kan justeres. Før først dine arme gennem skulderstropperne, og stram derefter det øverste og nederste bælte. Træk i enden af stroppen som vist for at stramme. Træk enden af spændet opad for at løsne.

Skulderstropper

► **Fig.4:** 1. Strop 2. Spænde

Øverste bælte

► **Fig.5:** 1. Strop 2. Spænde

Nederste bælte

► **Fig.6:** 1. Strop 2. Spænde

Bærekrog

Tag altid fat i bærekrogen ved håndtering af støvsugerkabinettet.

► **Fig.7:** 1. Bærekrog

Slangebånd

Slangebåndet kan bruges til at holde røret eller det frie mundstykke.

Før slangebåndet gennem åbningen i kabinettet for at fastgøre røret til støvsugerkabinettet. Du kan montere slangebåndet i begge sider.

► **Fig.8:** 1. Slangebånd 2. Åbning 3. Forlængerrør

Før slangebåndet gennem lækken på det nederste bælte for at holde det frie mundstykke på det nederste bælte.

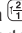
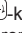

► **Fig.9:** 1. Slangebånd 2. Frit mundstykke

Forlængerrør

Rørets længde kan tilpasses. Løsn ringen på røret, og juster rørets længde. Stram ringen til ved den ønskede længde.

► **Fig.10:** 1. Ring



Afbryderbetjening

Tryk én gang på -knappen for at starte rengøringen. Støvsugeren starter med højeste sugestyrke (2). Tryk en gang til på -knappen for at reducere sugestyrken. Støvsugeren kører med normal sugestyrke (1). Når du trykker på knappen, mens støvsugeren kører, skifter sugestyrken mellem højere og normal sugestyrke. Tryk på -knappen for at stoppe støvsugeren.

► **Fig.11**

LED-lampe

LED-lampen er monteret i hovedet på afbryderkassen for at gøre brugen lettere på mørke steder.

Tryk på -knappen for at tænde for lampen. Tryk på -knappen igen for at slukke.

► **Fig.12**

⚠FORSIGTIG: Kig ikke ind i lyset, eller se ikke direkte ind i lyskilden. Ret aldrig lyset ind i andre personers øjne.

BEMÆRK: LED-lampen slukkes automatisk, hvis støvsugeren ikke betjenes i mere end 10 minutter.

BEMÆRK: Der slukkes automatisk for støvsugeren, og LED-lampen blinker, hvis støvsugeren bliver overophedet på grund af reduceret luftgennemstrømning til maskinen på grund af tilstoppet slange, rør, filter eller af andre årsager.

SAMLING

⚠️FORSIGTIG: Sørg altid for at maskinen er slukket, og at akkuen er taget ud, før der udføres noget arbejde på maskinen.

Montering af slange/rør/mundstykke

Forbind støvsugerkabinettet med slangen, røret og mundstykket. Sæt slangemanchetten ind i støvsugerkabinettet, og drej den i retningen med uret. Sæt mundstykket på forlængerrøret. Løft derefter støvsugerkabinettet op på skuldrene, og monter derefter slangen med forlængerrøret.

Tilslutning af støvsugerkabinettet og slange

► **Fig.13:** 1. Slangemanchet 2. Støvsugerkabinettet

Tilslutning af forlængerrør og mundstykke

► **Fig.14:** 1. Forlængerrør 2. Frit mundstykke 3. T-formet mundstykke

BEMÆRK: Det frie mundstykke kan monteres direkte på slangen.

Tilslutning af slange og forlængerrør

► **Fig.15:** 1. Slange 2. Forlængerrør 3. Frit mundstykke

BEMÆRK: Det frie mundstykke kan monteres direkte på slangen.

Montering af filterpose

⚠️FORSIGTIG: Anvend ikke en beskadiget filterpose. Anvend altid støvsugeren med filterposen monteret korrekt. Ellers kan opsuget støv eller partikler blive blæst ud af støvsugeren, hvilket kan medføre åndedrætslidelser hos operatøren.

BEMÆRKNING: Erstat filterposen med en ny, når den er fuld. Fortsat brug med fuld filterpose medfører reduceret sugestyrke.

1. Lås klinken op ved at løfte den nedefra. Skub det rillede område for at løfte den forreste klinkeside. Træk i klinken for at åbne låget.

► **Fig.16:** 1. Krog 2. Låg

2. Sæt filterposen ind i slidsen på den øverste side af rummet som vist.

► **Fig.17:** 1. Slids 2. Filterpose/støvpose

Ved brug af støvposen (ekstraudstyr) skal du indsætte randen på støvposen i slidsen.

► **Fig.18:** 1. Slids 2. Rand

3. Juster hullet i filterposen i forhold til slangemanchetten, og skub papdelen mod enden. Sørg for, at gummiringen på filterposen løber over slangemanchettens rand.

► **Fig.19:** 1. Gummiring på filterposen 2. Rand på slangemanchetten 3. Papdel af filterposen 4. Slangemanchet

ANVENDELSE

⚠️ADVARSEL: Operatøren skal være tilstrækkeligt instrueret i brugen af støvsugeren.

⚠️ADVARSEL: Denne støvsuger er ikke egnet til opugning af farligt støv.




⚠️FORSIGTIG: Denne støvsuger er kun til tørt brug.

⚠️FORSIGTIG: Denne støvsuger er kun til indendørs brug.

⚠️FORSIGTIG: Sæt altid akkuen helt ind, indtil den låses på plads. Hvis du kan se den røde indikator på den øverste side af knappen, er den ikke helt låst. Sæt den helt ind, indtil den røde indikator ikke kan ses. I modsat fald kan den ved et uheld falde ud af maskinen og medføre personskade på dig eller personer i nærheden.

1. Løft støvsugerkabinettet op på skuldrene, og fastgør det øverste og nederste bælte. Juster stramningen efter behov.

► **Fig.20**

2. Tryk på -knappen for at starte rengøring. Tryk en gang til på -knappen for at reducere sugestyrken. Tryk på -knappen for at stoppe.

► **Fig.21**

Fastgør afbryderkassen på det nederste bælte under rengøring. Krogen kan vippe for at lyse fremad.

► **Fig.22**

Når du holder pause i brugen, kan kroge på slangen bruges til at hænge røret på det nederste bælte.

► **Fig.23**

BEMÆRK: Der slukkes automatisk for støvsugeren, og LED-lampen blinker, hvis støvsugeren bliver overophedet på grund af reduceret luftgennemstrømning til maskinen på grund af tilstoppet slange, rør, filter eller af andre årsager. Eliminer i så fald årsagen til problemet, og afkøl støvsugeren, før den genstartes.

3. Udskift filterposen, når den bliver fuld. Åbn låget, og tag filterposen ud. Træk i snoren på siden af åbningen for at lukke filterposen, og bortskaf hele filterposen.

► **Fig.24:** 1. Snor

Ved brug af en støvpose (ekstraudstyr) skal du tage støvposen ud og bortskaffe støvet ved at frigøre klinken.

► **Fig.25:** 1. Klink

BEMÆRKNING: Kontroller regelmæssigt, om filterposen er fuld. Fortsat brug med fuld filterpose medfører reduceret sugestyrke.

BEMÆRKNING: Anvend ikke en brugt filterpose. Filterposen er udviklet til brug en gang. Hvis du vil bruge posen flere gange, skal du bruge en støvpose (ekstraudstyr).

VEDLIGEHOJDELSE

⚠FORSIGTIG: Vær altid sikker på, at værktøjet er slukket, og at akkuen er taget ud, inden De begynder at udføre inspektion eller vedligeholdelse.

BEMÆRKNING: Anvend aldrig benzin, rensebenzin, fortynder, alkohol og lignende. Det kan medføre misfarvning, deformering eller revner.

Rengøring af filteret

⚠FORSIGTIG: Undlad at bruge støvsugeren uden et filter eller at fortsætte med at bruge et snavset eller beskadiget filter. Opsøget støv eller partikler kan blive blæst ud af støvsugeren, hvilket kan medføre åndedrætslidelser hos operatøren.

BEMÆRKNING: Rengør filteret regelmæssigt for at opretholde optimal sugestyrke og ren udblæsning. Udskift filteret med et nyt, hvis der ikke kan opnås tilstrækkelig sugestyrke selv efter rengøring.

BEMÆRKNING: Undlad at bruge en luftspray og/eller højtryksspuler til rengøringen for at undgå beskadigelse af filteret.

1. Åbn låget, og tag filterposen ud. Frigør krogen på filteret, og tag det ud fra støvsugerkabinettet.

► Fig.26

2. Bank støvet af filteret. Filteret kan vaskes med vand. Skyl støv og partikler bort fra filteret hver eller hver 2. måned. Lad derefter filteret tørre helt på et skygfuldt og velventileret sted for at undgå ubehagelige lugte eller fejlfunktioner.

3. Før at installere filteret skal du sætte siden uden flappen ind i holderen og derefter trykke ned på filteret, indtil flappen holdes fast af ribben.

► Fig.27: 1. Holder 2. Filter 3. Ribbe 4. Flap

Rengøring af støvposen

Rengør regelmæssigt støvposen med sæbe og vand. Vend indersiden ud på støvposen, og fjern klæbrigt støv. Vask den let i hånden, og rens grundigt med vand. Tør den helt, før den sættes i støvsugeren.

► Fig.28

BEMÆRKNING: En våd støvpose reducerer støvsugerens ydelse og motorens levetid.

For at opretholde produktets SIKKERHED og PÅLIDELIGHED må reparation, vedligeholdelse eller justering kun udføres af et autoriseret Makita servicecenter eller fabrikksservicecenter med anvendelse af Makita reservedele.

EKSTRAUDSTYR

⚠FORSIGTIG: Det følgende tilbehør og ekstraudstyr er anbefalet til brug med Deres Makita maskine, der er beskrevet i denne brugsanvisning. Anvendelse af andet tilbehør eller ekstraudstyr kan udgøre en risiko for personskade. Anvend kun tilbehør og ekstraudstyr til det beskrevne formål.

Hvis De behøver hjælp ved valg af tilbehør eller ønsker yderligere informationer, bedes De kontakte Deres lokale Makita servicecenter.

- Fleksibel slange
- Forlængerrør
- Frit mundstykke
- T-formet mundstykke
- Tæppemundstykke
- Børste til hylde
- Rund børste
- Filterpose
- Støvpose
- Filter
- Original Makita-akku og oplader

BEMÆRK: Nogle ting på denne liste kan være inkluderet i værktøjspakken som standardtilbehør. Det kan være forskellige fra land til land.

ΠΡΟΔΙΑΓΡΑΦΕΣ

Μοντέλο:		DVC260	
Χωρητικότητα	Σακούλα φίλτρου	2,0 L	
	Σακούλα σκόνης	1,5 L	
Μέγιστος όγκος αέρα		1,5 m ³ /min	
Διαστάσεις (Μ x Π x Υ) (εκτός της εξάρτησης)		185 mm x 230 mm x 373 mm	
Ονομαστική τάση		D.C. 36 V	
Στάνταρ κασέτα μπαταριών		BL1815N, BL1820, BL1820B	BL1830, BL1830B, BL1840, BL1840B, BL1850, BL1850B, BL1860B
Καθαρό βάρος		3,8 kg	4,3 kg

- Λόγω του συνεχιζόμενου προγράμματος έρευνας και ανάπτυξης, οι προδιαγραφές αυτές υπόκεινται σε αλλαγές χωρίς προειδοποίηση.
- Οι προδιαγραφές και η κασέτα μπαταριών μπορεί να διαφέρουν ανάλογα με τη χώρα.
- Βάρος, με κασέτα μπαταριών, σύμφωνα με τη διαδικασία ΕΡΤΑ 01/2003

Σύμβολα

Παρακάτω παρουσιάζονται τα σύμβολα που χρησιμοποιούνται για τον εξοπλισμό. Βεβαιωθείτε ότι κατανοείτε τη σημασία τους πριν από τη χρήση.



Διαβάστε το εγχειρίδιο οδηγιών.



Μόνο για τις χώρες της ΕΕ
Μην απορρίπτετε ηλεκτρικό εξοπλισμό ή την μπαταρία μαζί με τα οικιακά απορρίμματα! Σύμφωνα με τις Ευρωπαϊκές Οδηγίες για τον απόβλητο ηλεκτρικό και ηλεκτρονικό εξοπλισμό και τις μπαταρίες και συσσωρευτές και τις απόβλητες μπαταρίες και συσσωρευτές και την ενσωμάτωσή τους σύμφωνα με την εθνική νομοθεσία, ο ηλεκτρικός εξοπλισμός και η μπαταρία και τα πακέτα μπαταριών που έχουν φτάσει το τέλος ζωής τους πρέπει να συλλέγονται ξεχωριστά και να επιστρέφονται σε εγκαταστάσεις περιβαλλοντικά συμβατής ανακύκλωσης.

Προοριζόμενη χρήση

Το εργαλείο προορίζεται για τη συλλογή ξηρής σκόνης. Το εργαλείο είναι κατάλληλο για εμπορική χρήση, για παράδειγμα, σε ξενοδοχεία, σχολεία, νοσοκομεία, εργοστάσια, καταστήματα, γραφεία και επιχειρήσεις ενοικίασης.

Θόρυβος

Το τυπικό Α επίπεδο καταμετρημένου θορύβου καθορίζεται σύμφωνα με το 60332-2-69, 60704-2-1: Στάθμη ηχητικής πίεσης (L_{PA}): 70 dB (A) ή λιγότερο Αβεβαιότητα (K): 2,5 dB (A)

Η ένταση θορύβου υπό συνθήκες εργασίας μπορεί να υπερβεί τα 80 dB (A).

ΠΡΟΕΙΔΟΠΟΙΗΣΗ: Να φοράτε ωτοασπίδες.

Κραδασμός

Η ολική τιμή δόνησης (άθροισμα τρι-αξονικού διανύσματος) καθορίζεται σύμφωνα με το 60335-2-69: Είδος εργασίας: κοπή σανίδων Εκπομπή δόνησης (a_h): 2,5 m/s² ή λιγότερο Αβεβαιότητα (K): 1,5 m/s²

ΠΑΡΑΤΗΡΗΣΗ: Η δηλωμένη τιμή εκπομπής κραδασμών έχει μετρηθεί σύμφωνα με την πρότυπη μέθοδο δοκιμής και μπορεί να χρησιμοποιηθεί για τη σύγκριση ενός εργαλείου με άλλο.

ΠΑΡΑΤΗΡΗΣΗ: Η δηλωμένη τιμή εκπομπής κραδασμών μπορεί να χρησιμοποιηθεί και στην προκαταρκτική αξιολόγηση έκθεσης.

ΠΡΟΕΙΔΟΠΟΙΗΣΗ: Η εκπομπή κραδασμών κατά τη χρήση του ηλεκτρικού εργαλείου σε πραγματικές συνθήκες μπορεί να διαφέρει από τη δηλωμένη τιμή εκπομπής ανάλογα με τον τρόπο χρήσης του εργαλείου.

ΠΡΟΕΙΔΟΠΟΙΗΣΗ: Φροντίστε να λάβετε τα κατάλληλα μέτρα προστασίας του χειριστή βάσει ενός υπολογισμού της έκθεσης σε πραγματικές συνθήκες χρήσης (λαμβάνοντας υπόψη όλες τις συνιστώσες του κύκλου λειτουργίας όπως τους χρόνους που το εργαλείο είναι εκτός λειτουργίας και όταν βρίσκεται σε αδρανή λειτουργία πέραν του χρόνου ενεργοποίησης).

Δήλωση Συμμόρφωσης ΕΚ

Μόνο για χώρες της Ευρώπης

Η Makita δηλώνει ότι τα ακόλουθα μηχανήματα: Χαρακτηρισμός μηχανήματος: Φορητή μηχανή αναρρόφησης πλάτης

Αρ. μοντέλου/ Τύπος: DVC260

Συμμορφώνονται με τις ακόλουθες Ευρωπαϊκές

Οδηγίες: 2006/42/EK

Κατασκευάζονται σύμφωνα με τα ακόλουθα πρότυπα ή έγγραφα τυποποίησης: EN60335

Το τεχνικό αρχείο σύμφωνα με την 2006/42/EK διατίθεται από:

Makita, Jan-Baptist Vinkstraat 2, 3070, Βέλγιο
8.9.2015



Yasushi Fukaya

Διευθυντής

Makita, Jan-Baptist Vinkstraat 2, 3070, Βέλγιο

ΠΡΟΕΙΔΟΠΟΙΗΣΕΙΣ ΑΣΦΑΛΕΙΑΣ

Προειδοποιήσεις ασφάλειας για τη φορητή μηχανή αναρρόφησης

⚠ ΠΡΟΕΙΔΟΠΟΙΗΣΗ: ΣΗΜΑΝΤΙΚΟ! ΔΙΑΒΑΣΤΕ ΠΡΟΣΕΚΤΙΚΑ όλες τις προειδοποιήσεις για την ασφάλεια και όλες τις οδηγίες ΠΡΙΝ ΑΠΟ ΤΗ ΧΡΗΣΗ. Η μη τήρηση των προειδοποιήσεων και οδηγιών μπορεί να καταλήξει σε ηλεκτροπληξία, πυρκαγιά ή/και σοβαρό τραυματισμό.

1. Πριν από τη χρήση, βεβαιωθείτε ότι αυτή η μηχανή θα χρησιμοποιηθεί από άτομα στα οποία έχουν δοθεί επαρκείς οδηγίες για τη χρήση αυτής της μηχανής.
2. Μη χρησιμοποιείτε τη μηχανή χωρίς το φίλτρο. Αντικαταστήστε αμέσως ένα φίλτρο που έχει υποστεί ζημιά.
3. Μην επιχειρήσετε να συλλέξετε εύφλεκτα υλικά, πυροτεχνήματα, αναμμένα τσιγάρα, καυτές στάχτες, ζεστά μεταλλικά θραύσματα, αιχμηρά αντικείμενα όπως ξυραφάκια, βελόνες, σπασμένο γυαλί ή παρόμοια αντικείμενα.
4. ΜΗ ΧΡΗΣΙΜΟΠΟΙΕΙΤΕ ΠΟΤΕ ΤΗ ΜΗΧΑΝΗ ΚΟΝΤΑ ΣΕ ΒΕΝΖΙΝΗ, ΑΕΡΙΑ, ΜΠΟΓΙΑ, ΚΟΛΛΕΣ Ή ΑΛΛΕΣ ΥΨΗΛΑ ΕΚΡΗΚΤΙΚΕΣ ΟΥΣΙΕΣ. Ο διακόπτης παράγει σπινθήρες όταν ενεργοποιείται και απενεργοποιείται. Το ίδιο και ο μετατροπέας μοτέρ κατά τη διάρκεια της λειτουργίας. Μπορεί να προκύψει επικίνδυνη έκρηξη.
5. Μην αναρροφάτε ποτέ τοξικά, καρκινογόνα, καύσιμα ή άλλα επικίνδυνα υλικά, όπως αμίαντο, αρσενικό, βάριο, βηρύλλιο, μόλυβδο, εντομοκτόνα ή άλλα υλικά που αποτελούν κίνδυνο για την υγεία.
6. Μη χρησιμοποιείτε ποτέ τη μηχανή σε εξωτερικό χώρο στη βροχή.
7. Μη χρησιμοποιείτε κοντά σε πηγές θερμότητας (φούρνοι, κτλ.).
8. Μη φράσσετε τα ανοίγματα ψύξης. Αυτά τα ανοίγματα επιτρέπουν την ψύξη του μοτέρ. Θα πρέπει να αποφευχθεί προσεκτικά το φράξιμο, διαφορετικά το μοτέρ θα καεί λόγω έλλειψης αερισμού.
9. Να στέκεστε πάντα σταθερά και ισορροπημένα.
10. Μη διπλώνετε, μην τραβάτε και μην πατάτε τον εύκαμπο σωλήνα.
11. Διακόψτε αμέσως τη λειτουργία της μηχανής αν παρατηρήσετε ανεπαρκή απόδοση ή οτιδήποτε ασυνήθιστο κατά τη λειτουργία.
12. ΑΠΟΖΥΝΔΕΣΤΕ ΤΙΣ ΜΠΑΤΑΡΙΕΣ. Όταν δεν χρησιμοποιείται, πριν από το σέρβις και όταν αλλάζετε αξεσουάρ.
13. Καθαρίστε και εκτελέστε σέρβις στη μηχανή αμέσως μετά από κάθε χρήση για να διατηρείται σε άριστη λειτουργική κατάσταση.
14. ΔΙΑΤΗΡΕΙΤΕ ΤΗ ΜΗΧΑΝΗ ΜΕ ΠΡΟΣΟΧΗ. Να διατηρείτε τη μηχανή καθαρή για την καλύτερη και ασφαλέστερη απόδοση. Να ακολουθείτε τις οδηγίες για την αλλαγή των αξεσουάρ. Να διατηρείτε τις λαβές στεγνές, καθαρές, χωρίς λάδι και γράσο.
15. ΝΑ ΕΛΕΓΧΕΤΕ ΤΑ ΜΕΡΗ ΜΕ ΖΗΜΙΑ. Πριν από την περαιτέρω χρήση της μηχανής, θα πρέπει να ελέγχετε προσεκτικά τυχόν προστατευτικά εξαρτήματα ή άλλα εξάρτημα με ζημιά για να καθορίσετε αν θα λειτουργήσουν σωστά και αν θα πραγματοποιήσουν την προοριζόμενη λειτουργία τους. Ελέγξτε την ευθυγράμμιση των κινούμενων μερών, την ελεύθερη κίνηση των κινούμενων μερών, το τυχόν σπάσιμο εξαρτημάτων, τη στέρωση και οποιεσδήποτε άλλες συνθήκες που μπορεί να επηρεάσουν τη λειτουργία του εργαλείου. Ένα προστατευτικό ή άλλο εξάρτημα με ζημιά θα πρέπει να επισκευαστεί ή να αντικατασταθεί σωστά σε εξουσιοδοτημένο κέντρο σέρβις εκτός αν δηλώνεται διαφορετικά στο παρόν εγχειρίδιο οδηγιών. Οι ελαττωματικοί διακόπτες πρέπει να αντικαθίστανται σε εξουσιοδοτημένο κέντρο σέρβις. Μη χρησιμοποιείτε τη μηχανή αν ο διακόπτης δεν την ενεργοποιεί και δεν την απενεργοποιεί.
16. ΑΝΤΑΛΛΑΚΤΙΚΑ. Κατά το σέρβις, να χρησιμοποιείτε μόνο γνήσια ανταλλακτικά.
17. ΝΑ ΑΠΟΘΗΚΕΥΕΤΕ ΤΗ ΜΗΧΑΝΗ ΟΤΑΝ ΔΕΝ ΤΗ ΧΡΗΣΙΜΟΠΟΙΕΙΤΕ. Όταν δεν χρησιμοποιείται, η μηχανή θα πρέπει να αποθηκεύεται σε εσωτερικό χώρο.
18. Να προσέχετε τη μηχανή. Ο σκληρός χειρισμός μπορεί να προκαλέσει το σπάσιμο ακόμη και της πιο καλοκατασκευασμένης μηχανής.
19. Μην επιχειρήσετε να καθαρίσετε το εξωτερικό ή το εσωτερικό με βενζίνη, νέφτι ή καθαριστικές χημικές ουσίες. Μπορεί να προκληθούν ρωγμές και αποχρωματισμός.
20. Μη χρησιμοποιείτε τη μηχανή σε κλειστό χώρο στον οποίο απελευθερώνονται εύφλεκτοι, εκρηκτικοί ή τοξικοί ατμοί από μπιγιές με βάση το λάδι, νέφτι, βενζίνη, μερικές ουσίες κατά της σκουριάς, κτλ., ή σε περιοχές όπου υπάρχει εύφλεκτη σκόνη.
21. Μη χρησιμοποιείτε τη μηχανή υπό την επήρεια ναρκωτικών ουσιών ή αλκοόλ.
22. Ως βασικός κανόνας ασφάλειας, να χρησιμοποιείτε γυαλιά ασφαλείας ή γυαλιά με πλαϊνά προστατευτικά.
23. Να χρησιμοποιείτε μάσκα κατά της σκόνης σε συνθήκες με πολλή σκόνη.

24. Το μηχάνημα αυτό δεν προορίζεται για χρήση από άτομα, συμπεριλαμβανομένων των παιδιών, με μειωμένες σωματικές, αισθητήριες ή διανοητικές ικανότητες, ή από άτομα που δεν έχουν πείρα και γνώσεις.
25. Τα μικρά παιδιά θα πρέπει να επιβλέπονται προκειμένου να διασφαλιστεί ότι δεν παίζουν με τη μηχανή.
26. Μη χειρίζεστε ποτέ τις μπαταρίες και τη μηχανή με βρεγμένα χέρια.
27. Να προσέχετε ιδιαίτερα όταν καθαρίζετε σκαλοπάτια.
28. Μη χρησιμοποιείτε τη μηχανή για σκαμπό ή πάγκο εργασίας. Η μηχανή σκούπα μπορεί να πέσει και να προκαλέσει προσωπικό τραυματισμό.

Σέρβις

1. Να φροντίζετε το σέρβις του ηλεκτρικού εργαλείου σας να γίνεται από αρμόδιο επαγγελματία χρησιμοποιώντας μόνο γνήσια ανταλλακτικά. Έτσι θα είστε σίγουροι για τη διατήρηση της ασφάλειας του ηλεκτρικού εργαλείου.
2. Να ακολουθείτε τις οδηγίες για τη λίπανση και την αλλαγή των αξεσουάρ.
3. Να διατηρείτε τις λαβές στεγνές, καθαρές, χωρίς λάδι και γράσο.

Σημαντικές οδηγίες ασφάλειας για κασέτα μπαταριών

1. Πριν χρησιμοποιήσετε την κασέτα μπαταριών, διαβάστε όλες τις οδηγίες και σημειώσεις προφύλαξης (1) στον φορτιστή μπαταριών, (2) στην μπαταρία και (3) στο προϊόν που χρησιμοποιεί την μπαταρία.
2. Μην αποσυναρμολογήσετε την κασέτα μπαταριών.
3. Εάν ο χρόνος λειτουργίας έχει γίνει υπερβολικά βραχύς, σταματήστε τη λειτουργία αμέσως. Αλλιώς, μπορεί να έχει ως αποτέλεσμα κίνδυνο υπερθέρμανσης, πιθανά εγκαύματα ή ακόμη και έκρηξη.
4. Εάν ηλεκτρολύτης μπει στα μάτια σας, ξεπλύνετε τα με καθαρό νερό και ζητήστε ιατρική φροντίδα αμέσως. Αλλιώς, μπορεί να έχει ως αποτέλεσμα απώλεια της όρασης σας.
5. Μη βραχυκυκλώνετε την κασέτα μπαταριών:
 - (1) Μην αγγίζετε τους πόλους με οτιδήποτε αγώγιμο υλικό.
 - (2) Αποφεύγετε να αποθηκεύετε την κασέτα μπαταριών μέσα σε ένα δοχείο μαζί με άλλα μεταλλικά αντικείμενα όπως καρφιά, νομίσματα, κλπ.
 - (3) Μην εκθέτετε την κασέτα μπαταριών στο νερό ή στη βροχή.
 Ένα βραχυκύκλωμα μπαταρίας μπορεί να προκαλέσει μεγάλη ροή ρεύματος, υπερθέρμανση, πιθανά εγκαύματα ακόμη και σοβαρή βλάβη.
6. Μην αποθηκεύετε το εργαλείο και την κασέτα μπαταριών σε τοποθεσίες όπου η θερμοκρασία μπορεί να φτάσει ή να ξεπεράσει τους 50°C.

7. Μην καίτε την κασέτα μπαταριών ακόμη και εάν έχει σοβαρή ζημιά ή είναι εντελώς φθαρμένη. Η κασέτα μπαταριών μπορεί να εκραγεί στη φωτιά.
8. Προσέχετε να μη ρίξετε κάτω ούτε να χτυπήσετε την μπαταρία.
9. Μη χρησιμοποιείτε μπαταρία που έχει υποστεί ζημιά.
10. Οι μπαταρίες ιόντων λιθίου που περιέχονται υποκείνται στις απαιτήσεις της νομοθεσίας για επικίνδυνα αγαθά. Για εμπορικές μεταφορές, για παράδειγμα από τρίτα μέρη, πρέπει να τηρούνται οι διαμεταφορές, οι ειδικές απαιτήσεις στη συσκευασία και η επισήμανση. Για προετοιμασία του στοιχείου που αποστέλλεται, είναι απαραίτητο να συμβουλευτείτε έναν ειδικό για επικίνδυνα υλικά. Επίσης, τηρήστε τους πθανούς, πιο αναλυτικούς εθνικούς κανονισμούς. Καλύψτε με αυτοκόλλητη ταινία ή κρύψτε τις ανοικτές επαφές και συσκευάστε την μπαταρία με τρόπο που να μην μπορεί να μετακινείται μέσα στη συσκευασία.
11. Τηρήστε τους τοπικούς κανονισμούς που σχετίζονται με τη διάθεση της μπαταρίας.

ΦΥΛΑΞΤΕ ΤΙΣ ΟΔΗΓΙΕΣ ΑΥΤΕΣ.

⚠️ ΠΡΟΣΟΧΗ: Να χρησιμοποιείτε μόνο γνήσιες μπαταρίες της Makita. Η χρήση μη γνήσιων μπαταριών Makita, ή μπαταριών που έχουν τροποποιηθεί, μπορεί να έχει ως αποτέλεσμα τη ρήξη της μπαταρίας, προκαλώντας πυρκαγιά, προσωπικό τραυματισμό και βλάβη. Επίσης, θα ακυρωθεί η εγγύηση της Makita για το εργαλείο και φορτιστή Makita.

Συμβουλές για τη διατήρηση της μέγιστης ζωής μπαταρίας

1. Φορτίζετε την κασέτα μπαταριών πριν από την πλήρη αποφόρτισή της. Πάντοτε να σταματάτε τη λειτουργία του εργαλείου και να φορτίζετε την κασέτα μπαταριών όταν παρατηρείτε μειωμένη ισχύ εργαλείου.
2. Ποτέ μην επαναφορτίζετε μια πλήρως φορτισμένη κασέτα μπαταριών. Η υπερφόρτιση μειώνει την ωφέλιμη ζωή της μπαταρίας.
3. Να φορτίζετε την κασέτα μπαταριών σε θερμοκρασία δωματίου, δηλαδή στους 10°C έως 40°C. Αφήστε μια θερμή κασέτα μπαταριών να κρυώσει πριν την φορτίσετε.
4. Να φορτίζετε την κασέτα μπαταριών εάν δεν τη χρησιμοποιείτε για μεγάλη χρονική περίοδο (περισσότερο από έξι μήνες).

ΠΕΡΙΓΡΑΦΗ ΛΕΙΤΟΥΡΓΙΑΣ

▲ΠΡΟΣΟΧΗ: Να φροντίζετε πάντα για την απενεργοποίηση του εργαλείου και την αφαίρεση της κασέτας μπαταρίας, πριν από οποιαδήποτε ρύθμιση ή έλεγχο της λειτουργίας του.

Τοποθέτηση ή αφαίρεση της κασέτας μπαταριών

▲ΠΡΟΣΟΧΗ: Να σβήσετε πάντα το εργαλείο πριν τοποθετήσετε ή αφαιρέσετε την κασέτα μπαταριών.

▲ΠΡΟΣΟΧΗ: Κρατήστε το εργαλείο και την κασέτα μπαταριών σταθερά κατά την τοποθέτηση ή αφαίρεση της κασέτας μπαταριών. Εάν δεν κρατάτε το εργαλείο και την κασέτα μπαταριών σταθερά μπορεί να γλιστρήσουν από τα χέρια σας και να προκαλέσει βλάβη στο εργαλείο και την κασέτα μπαταριών και προσωπικούς τραυματισμούς.

► **Εικ.1:** 1. Κόκκινη ένδειξη 2. Κουμπί 3. Κασέτα μπαταριών

Για να αφαιρέσετε την κασέτα μπαταριών, ολισθήστε την από το εργαλείο ενώ σύρετε το κουμπί στο μπροστινό μέρος της κασέτας.

Για να τοποθετήσετε την κασέτα μπαταριών, ευθυγραμμίστε τη γλώσσα στην κασέτα μπαταριών με την αύλακα στην υποδοχή και ολισθήστε τη στη θέση της. Να την τοποθετείτε πλήρως μέχρι να ασφαλίσει στη θέση της, γεγονός που υποδεικνύεται με ένα χαρακτηριστικό ήχο. Εάν μπορείτε να δείτε την κόκκινη ένδειξη στην επάνω πλευρά του κουμπιού, δεν έχει κλειδώσει τελείως.

▲ΠΡΟΣΟΧΗ: Να τοποθετείτε πάντα την κασέτα μπαταριών πλήρως μέχρι να μη βλέπετε την κόκκινη ένδειξη. Εάν δεν ασφαλιστεί, μπορεί να πέσει από το εργαλείο τυχαία, προκαλώντας σωματική βλάβη σε εσάς ή κάποιον άλλο γύρω σας.

▲ΠΡΟΣΟΧΗ: Μην τοποθετείτε την κασέτα μπαταριών με βία. Εάν η κασέτα δεν ολισθαίνει με ευκολία, τότε δεν έχει τοποθετηθεί κατάλληλα.

Σύστημα προστασίας εργαλείου/ μπαταρίας

Το εργαλείο είναι εξοπλισμένο με σύστημα προστασίας εργαλείου/μπαταρίας. Αυτό το σύστημα αποκόπτει αυτόματα την ισχύ προς το μοτέρ για να παραταθεί η διάρκεια λειτουργίας του εργαλείου και της μπαταρίας. Το εργαλείο σταματάει αυτόματα κατά τη διάρκεια της λειτουργίας εάν το εργαλείο ή η μπαταρία βρεθούν κάτω από τις παρακάτω συνθήκες. Σε μερικές συνθήκες, οι ενδείξεις ανάβουν.

Προστασία υπερφόρτωσης

Όταν το εργαλείο λειτουργεί με τρόπο ώστε να αναγκάζεται να καταναλώνει ασυνήθιστα υψηλό ρεύμα, το εργαλείο σταματάει αυτόματα χωρίς καμία ένδειξη. Σε αυτή την κατάσταση, σβήστε το εργαλείο και διακόψτε την εφαρμογή που προκαλεί την υπερφόρτωση του εργαλείου. Μετά, ενεργοποιήστε το εργαλείο για επανεκκίνηση.

Προστασία υπερθέρμανσης

Όταν το εργαλείο υπερθερμαίνεται, το εργαλείο σταματάει αυτόματα. Αφήστε το εργαλείο να ψυχθεί πριν ενεργοποιήσετε ξανά το εργαλείο.

Προστασία υπερβολικής αποφόρτισης

Όταν μειωθεί η χωρητικότητα μπαταρίας, το εργαλείο σταματάει αυτόματα. Εάν το προϊόν δεν τίθεται σε λειτουργία ακόμα κι όταν πραγματοποιείται χειρισμός των διακοπών, βγάλτε τις μπαταρίες από το εργαλείο και φορτίστε τις.

Εμφάνιση υπολειπόμενης χωρητικότητας μπαταρίας

Μόνο για κασέτες μπαταριών «B» στο τέλος του αριθμού μοντέλου

► **Εικ.2:** 1. Ενδεικτικές λυχνίες 2. Κουμπί ελέγχου

Πιέστε το κουμπί ελέγχου στην κασέτα μπαταριών για να υποδείξετε την υπολειπόμενη χωρητικότητα μπαταρίας. Οι ενδεικτικές λυχνίες ανάβουν για λίγα δευτερόλεπτα.

Ενδεικτικές λυχνίες			Υπολειπόμενη χωρητικότητα
■ Αναμμένες	□ Σβηστές	▧ Αναβοσβήνουν	
■ ■ ■ ■			75% έως 100%
■ ■ ■ □			50% έως 75%
■ ■ □ □			25% έως 50%
■ □ □ □			0% έως 25%
▧ □ □ □			Φορτίστε την μπαταρία.
■ ■ □ □			Μπορεί να προέκυψε δυσλειτουργία στην μπαταρία.
□ □ ■ ■			

ΠΑΡΑΤΗΡΗΣΗ: Ανάλογα με τις συνθήκες χρήσης και τη θερμοκρασία περιβάλλοντος, η ένδειξη μπορεί να διαφέρει λίγο από την πραγματική χωρητικότητα.

Θέση κουτιού διακοπών

Το κουτί διακοπών μπορεί να γαντζωθεί σε οποιαδήποτε πλευρά της κάτω ζώνης. Τακτοποιήστε το καλώδιο με τρόπο ώστε το κουτί διακοπών να εξέρχεται από την επιθυμητή πλευρά σας. Για να αποφευχθεί η πρόκληση ζημιάς στο καλώδιο, περάστε το καλώδιο μέσα από το γάντζο όπως απεικονίζεται.

► **Εικ.3:** 1. Γάντζος 2. Καλώδιο

Ζώνες ρύθμισης

Το σφίξιμο των ζωνών ώμου και της άνω και κάτω ζώνης μπορεί να ρυθμιστεί. Περάστε τα χέρια σας πρώτα μέσα από τις ζώνες ώμου και μετά δέστε την άνω και κάτω ζώνη. Για να σφίξετε, τραβήξτε το άκρο του μπάνα όπως απεικονίζεται. Για να χαλαρώσετε, τραβήξτε το άκρο του συνδετήρα.

Ζώνες ώμου

► **Εικ.4:** 1. Ιμάντας 2. Συνδετήρας

Άνω ζώνη

► **Εικ.5:** 1. Ιμάντας 2. Συνδετήρας

Κάτω ζώνη

► **Εικ.6:** 1. Ιμάντας 2. Συνδετήρας

Γάντζος μεταφοράς

Να πιάνετε πάντα τον γάντζο μεταφοράς κατά το χειρισμό του κύριου τμήματος της μηχανής αναρρόφησης.

► **Εικ.7:** 1. Γάντζος μεταφοράς

Σφικτήρας εύκαμπτου σωλήνα

Ο σφικτήρας εύκαμπτου σωλήνα μπορεί να χρησιμοποιηθεί για τη συγκράτηση της ράβδου ή του ελεύθερου ακροφυσίου.

Για να ασφαλίσετε τη ράβδο στο κύριο τμήμα της μηχανής αναρρόφησης, περάστε το σφικτήρα εύκαμπτου σωλήνα μέσα από την σχισμή στο κύριο τμήμα. Μπορείτε να συνδέσετε το σφικτήρα εύκαμπτου σωλήνα σε οποιαδήποτε πλευρά.

► **Εικ.8:** 1. Σφικτήρας εύκαμπτου σωλήνα 2. Σχισμή 3. Ράβδος προέκτασης

Για να συγκρατήσετε το ελεύθερο ακροφύσιο στην κάτω ζώνη, περάστε το σφικτήρα εύκαμπτου σωλήνα μέσα από το βρόχο στην κάτω ζώνη.

► **Εικ.9:** 1. Σφικτήρας εύκαμπτου σωλήνα 2. Ελεύθερο ακροφύσιο

Ράβδος προέκτασης

Το μήκος της ράβδου μπορεί να ρυθμιστεί. Χαλαρώστε το δακτύλιο στη ράβδο και ρυθμίστε το μήκος της ράβδου. Σφίξτε το δακτύλιο στο μήκος που θέλετε.

► **Εικ.10:** 1. Δακτύλιο

Δράση διακόπτη

Για να ξεκινήσετε τον καθαρισμό, πατήστε το κουμπί (⏻) μία φορά. Η μηχανή αναρρόφησης θα αρχίσει με υψηλότερη ισχύ αναρρόφησης (2). Αν θέλετε να μειώσετε την ισχύ αναρρόφησης, πατήστε το κουμπί (⏻) μία ακόμη φορά. Η μηχανή αναρρόφησης θα λειτουργεί με κανονική ισχύ αναρρόφησης (1). Όταν πατάτε το κουμπί ενώ η μηχανή αναρρόφησης λειτουργεί, η ισχύς αναρρόφησης αλλάζει μεταξύ της υψηλότερης και της κανονικής ισχύος αναρρόφησης. Για να απενεργοποιήσετε τη μηχανή αναρρόφησης, πατήστε το κουμπί (⏻).

► **Εικ.11**

Φως LED

Το φως LED τοποθετείται στην κεφαλή του κουτιού διακοπών για να διευκολύνονται οι εργασίες σε σκοτεινά μέρη. Πατήστε το κουμπί (⏻) για να ανάψετε το φως. Για να το σβήσετε, πατήστε ξανά το κουμπί (⏻).

► **Εικ.12**

⚠ ΠΡΟΣΟΧΗ: Μην κοιτάζετε το φως και μη βλέπετε την πηγή φωτός απευθείας. Μη στοχεύετε ποτέ το φως στα μάτια άλλων ατόμων.

ΠΑΡΑΤΗΡΗΣΗ: Το φως LED σβήνει αυτόματα όταν η μηχανή αναρρόφησης δεν λειτουργεί για περισσότερα από 10 λεπτά.

ΠΑΡΑΤΗΡΗΣΗ: Η μηχανή αναρρόφησης θα απενεργοποιηθεί αυτόματα και το φως LED θα αναβσβήνει όταν η μηχανή αναρρόφησης υπερθερμανθεί λόγω της μειωμένης ροής αέρα στη μηχανή που προκαλείται από φραγμένο εύκαμπο σωλήνα, σωλήνα, φίλτρο ή άλλους λόγους.

ΣΥΝΑΡΜΟΛΟΓΗΣΗ

⚠ ΠΡΟΣΟΧΗ: Να βεβαιώνετε πάντα ότι το εργαλείο είναι σβηστό και η κασέτα μπαταρίας έχει αφαιρεθεί πριν εκτελέσετε κάποια εργασία στο εργαλείο.

Συναρμολόγηση εύκαμπτου σωλήνα/ράβδου/ακροφυσίου

Συνδέστε το κύριο τμήμα της μηχανής αναρρόφησης με τον εύκαμπο σωλήνα, τη ράβδο και το ακροφύσιο. Εισαγάγετε το στόμιο εύκαμπτου σωλήνα μέσα στο κύριο τμήμα της μηχανής αναρρόφησης και περιστρέψτε το δεξιόστροφα. Συνδέστε το ακροφύσιο στη ράβδο προέκτασης. Μετά από αυτό, τοποθετήστε το κύριο τμήμα της μηχανής αναρρόφησης στον ώμο σας και μετά συνδέστε τον εύκαμπο σωλήνα με τη ράβδο προέκτασης.

Σύνδεση του κύριου τμήματος και του εύκαμπτου σωλήνα της μηχανής αναρρόφησης

► **Εικ.13:** 1. Στόμιο εύκαμπτου σωλήνα 2. Κύριο τμήμα της μηχανής αναρρόφησης

Σύνδεση ράβδου προέκτασης και ακροφυσίου

► **Εικ.14:** 1. Ράβδος προέκτασης 2. Ελεύθερο ακροφύσιο 3. Ακροφύσιο σχήματος T

ΠΑΡΑΤΗΡΗΣΗ: Το ελεύθερο ακροφύσιο μπορεί να συνδεθεί απευθείας με τον εύκαμπο σωλήνα.

Σύνδεση εύκαμπτου σωλήνα και ράβδου προέκτασης

► **Εικ.15:** 1. Εύκαμπτος σωλήνας 2. Ράβδος προέκτασης 3. Ελεύθερο ακροφύσιο

ΠΑΡΑΤΗΡΗΣΗ: Το ελεύθερο ακροφύσιο μπορεί να συνδεθεί απευθείας με τον εύκαμπο σωλήνα.

Τοποθέτηση σακούλας φίλτρου

▲ ΠΡΟΣΟΧΗ: Μη χρησιμοποιείτε σακούλα φίλτρου που έχει υποστεί ζημιά. Να χρησιμοποιείτε πάντα τη μηχανή αναρρόφησης με τη σακούλα φίλτρου σωστά τοποθετημένη. Διαφορετικά, η σκόνη ή τα σωματίδια που αναρροφήθηκαν μπορούν να εξέλθουν από τη μηχανή και μπορεί να προκαλέσουν αναπνευστική ασθένεια στο χειριστή.

ΕΙΔΟΠΟΙΗΣΗ: Όταν η σακούλα φίλτρου είναι ήδη γεμάτη, αντικαταστήστε τη με μια καινούρια. Η συνεχόμενη χρήση με γεμάτη σακούλα φίλτρου θα έχει ως αποτέλεσμα μειωμένη ισχύ αναρρόφησης.

1. Ανυψώστε την κάτω πλευρά για να απασφαλίσετε το μάνδαλο. Ωθήστε την περιοχή με εγκοπή για να ανυψώσετε την μπροστινή πλευρά μανδάλωσης. Τραβήξτε το μάνδαλο για να ανοίξετε το καπάκι.

► **Εικ.16:** 1. Γάντζος 2. Καπάκι

2. Εισαγάγετε τη σακούλα φίλτρου μέσα στην εγκοπή στην άνω πλευρά του δωματίου όπως απεικονίζεται.

► **Εικ.17:** 1. Εγκοπή 2. Σακούλα φίλτρου / Σακούλα σκόνης

Όταν χρησιμοποιείτε τη σακούλα σκόνης (προαιρετικό εξάρτημα), εισαγάγετε το χείλος της σακούλας σκόνης μέσα στην εγκοπή.

► **Εικ.18:** 1. Εγκοπή 2. Χείλος

3. Ευθυγραμμίστε την οπή της σακούλας φίλτρου με το στόμιο εύκαμπτου σωλήνα και στρώξτε το χαρτονένιο τμήμα μέχρι το άκρο. Βεβαιωθείτε ότι ο λαστιχένιος δακτύλιος στη σακούλα φίλτρου περνάει πάνω από το χείλος στο στόμιο εύκαμπτου σωλήνα.

► **Εικ.19:** 1. Λαστιχένιος δακτύλιος στη σακούλα φίλτρου 2. Χείλος στο στόμιο εύκαμπτου σωλήνα 3. Χαρτονένιο τμήμα της σακούλας φίλτρου 4. Στόμιο εύκαμπτου σωλήνα

ΛΕΙΤΟΥΡΓΙΑ

▲ ΠΡΟΕΙΔΟΠΟΙΗΣΗ: Στους χειριστές θα πρέπει να δοθούν επαρκείς οδηγίες για τη χρήση της μηχανής αναρρόφησης.

▲ ΠΡΟΕΙΔΟΠΟΙΗΣΗ: Αυτή η μηχανή αναρρόφησης δεν είναι κατάλληλη για τη συλλογή επικίνδυνης σκόνης.

▲ ΠΡΟΣΟΧΗ: Αυτή η μηχανή προορίζεται μόνο για στεγνή χρήση.

▲ ΠΡΟΣΟΧΗ: Αυτή η μηχανή προορίζεται μόνο για χρήση σε εσωτερικούς χώρους.

▲ ΠΡΟΣΟΧΗ: Πάντα να εισαγάγετε την κασέτα μπαταριών έως το τέρμα, μέχρι να ασφαλίσει στη θέση της. Αν μπορείτε να δείτε την κόκκινη ένδειξη στην επάνω πλευρά του κουμπιού, δεν έχει κλειδώσει τελείως. Εισαγάγετέ την πλήρως έτσι ώστε να μην φαίνεται η κόκκινη ένδειξη. Σε αντίθετη περίπτωση, μπορείτε να πέσει κατά λάθος από το εργαλείο και να τραυματίσει εσάς ή κάποιον παρευρισκόμενο.

1. Τοποθετήστε το κύριο τμήμα της μηχανής αναρρόφησης στους ώμους σας και δέστε την άνω και κάτω ζώνη. Ρυθμίστε το βαθμό σφίξιματος όπως απαιτείται.

► **Εικ.20**

2. Πατήστε το κουμπί (2) για έναρξη του καθαρισμού. Αν θέλετε να μειώσετε την ισχύ αναρρόφησης, πατήστε το κουμπί (3) μία ακόμη φορά. Πατήστε το κουμπί (0) για διακοπή.

► **Εικ.21**

Κατά τον καθαρισμό, γαντζώστε το κουτί διακοπών στην κάτω ζώνη. Ο γάντζος μπορεί να βρίσκεται υπό κλίση για να φωτίζεται προς τα μπροστά.

► **Εικ.22**

Όταν γίνεται αναστολή της εργασίας, ο γάντζος στον εύκαμπο σωλήνα μπορεί να χρησιμοποιηθεί για να κρεμαστεί η ράβδος στην κάτω ζώνη.

► **Εικ.23**

ΠΑΡΑΤΗΡΗΣΗ: Η μηχανή αναρρόφησης θα απενεργοποιηθεί αυτόματα και το φως LED θα αναβοσβήνει όταν η μηχανή αναρρόφησης υπερθερμανθεί λόγω της μειωμένης ροής αέρα στη μηχανή που προκαλείται από φραγμένο εύκαμπο σωλήνα, σωλήνα, φίλτρο ή άλλους λόγους. Σε αυτή την περίπτωση, απομακρύνετε την αιτία του προβλήματος και μειώστε τη θερμοκρασία της μηχανής αναρρόφησης πριν ξεκινήσετε ξανά.

3. Αντικαταστήστε τη σακούλα φίλτρου όταν γεμίσει. Ανοίξτε το καπάκι και βγάλτε τη σακούλα φίλτρου.

Τραβήξτε τη λωρίδα στην πλευρά του ανοίγματος για να κλείσετε τη σακούλα φίλτρου και απορρίψτε ολόκληρη τη σακούλα φίλτρου.

► **Εικ.24:** 1. Λωρίδα

Όταν χρησιμοποιείτε μια σακούλα σκόνης (προαιρετικό εξάρτημα), βγάλτε τη σακούλα σκόνης και απορρίψτε τη σκόνη αποδεσμεύοντας το μάνδαλο.

► **Εικ.25:** 1. Μάνδαλο

ΕΙΔΟΠΟΙΗΣΗ: Να ελέγχετε περιοδικά αν η σακούλα φίλτρου έχει γεμίσει. Η συνεχόμενη χρήση με γεμάτη σακούλα φίλτρου θα έχει ως αποτέλεσμα μειωμένη ισχύ αναρρόφησης.

ΕΙΔΟΠΟΙΗΣΗ: Μη χρησιμοποιείτε μια χρησιμοποιημένη σακούλα φίλτρου. Η σακούλα φίλτρου έχει σχεδιαστεί για μία χρήση. Αν θέλετε να χρησιμοποιήσετε τη σακούλα επανειλημμένα, να χρησιμοποιείτε σακούλα σκόνης (προαιρετικό εξάρτημα).

ΣΥΝΤΗΡΗΣΗ

▲ ΠΡΟΣΟΧΗ: Πριν την εκτέλεση εργασιών επιθεώρησης ή συντήρησης, πάντοτε να βεβαιώνετε ότι η συσκευή απενεργοποιήθηκε και η κασέτα μπαταριών έχει αφαιρεθεί.

ΕΙΔΟΠΟΙΗΣΗ: Μην χρησιμοποιείτε ποτέ βενζίνη, πετρελαϊκό αιθέρα, διαλυτικό, αλκοόλη ή παρόμοιες ουσίες. Μπορεί να προκληθεί αποχρωματισμός, παραμόρφωση ή ρωγμές.

Καθαρισμός του φίλτρου

▲ ΠΡΟΣΟΧΗ: Μη χρησιμοποιείτε τη μηχανή αναρρόφησης χωρίς φίλτρο και μη συνεχίζετε να χρησιμοποιείτε βρόμικο ή κατεστραμμένο φίλτρο. Η σκόνη ή τα σωματίδια που αναρροφήθηκαν μπορούν να εξέλθουν από τη μηχανή και μπορεί να προκαλέσουν αναπνευστική ασθένεια στο χειριστή.

ΕΙΔΟΠΟΙΗΣΗ: Για να διατηρήσετε βέλτιστη ισχύ αναρρόφησης και καθαρή εξάτμιση, να καθαρίζετε περιοδικά το φίλτρο. Αν δεν υπάρχει αρκετή ισχύς αναρρόφησης ακόμη και μετά τον καθαρισμό, αντικαταστήστε το φίλτρο με ένα καινούριο.

ΕΙΔΟΠΟΙΗΣΗ: Για να αποφευχθεί η πρόκληση ζημιάς στο φίλτρο, μη χρησιμοποιείτε εμφύσηση αέρα ή/και πλυντρίδα υψηλής πίεσης για τον καθαρισμό.

1. Ανοίξτε το καπάκι και βγάλτε τη σακούλα φίλτρου. Αποδεμεύστε τον γάντζο στο φίλτρο και αφαιρέστε το από το κύριο τμήμα της μηχανής αναρρόφησης.

► **Εικ.26**

2. Κτυπήστε τη σκόνη για να απομακρυνθεί από το φίλτρο. Το φίλτρο μπορεί να πλυθεί με νερό. Ξεπλύντε τη σκόνη και τα σωματίδια στο φίλτρο κάθε 1 έως 2 μήνες. Μετά από αυτό, στεγνώστε το φίλτρο εντελώς σε ένα σκιερό και καλά αεριζόμενο χώρο για να αποφευχθούν οι δυσάρεστες οσμές ή δυσλειτουργίες.

3. Για να εγκαταστήσετε το φίλτρο, εισαγάγετε την πλευρά χωρίς το πτερύγιο μέσα στον υποδοχέα και μετά ωθήστε το φίλτρο προς τα κάτω μέχρι το πτερύγιο να ασφαλίσει από το υποστήριγμα.

► **Εικ.27:** 1. Υποδοχέας 2. Φίλτρο 3. Υποστήριγμα 4. Πτερύγιο

Καθαρισμός της σακούλας σκόνης

Να καθαρίζετε τακτικά τη σακούλα σκόνης με σαπούνι και νερό. Γυρίστε το μέσα-έξω της σακούλας σκόνης και απομακρύνετε τη σκόνη που έχει κολλήσει σε αυτή. Πλύντε ελαφρά με το χέρι και ξεβγάλτε καλά με νερό. Στεγνώστε εντελώς πριν την τοποθετήσετε στη μηχανή αναρρόφησης.

► **Εικ.28**

ΕΙΔΟΠΟΙΗΣΗ: Μια βρεγμένη σακούλα σκόνης μειώνει την απόδοση αναρρόφησης καθώς και τη διάρκεια ζωής του μοτέρ.

Για τη διατήρηση της ΑΣΦΑΛΕΙΑΣ και ΑΞΙΟΠΙΣΤΙΑΣ του προϊόντος, οι επισκευές και οποιαδήποτε άλλη εργασία συντήρησης ή ρύθμισης πρέπει να εκτελούνται από εξουσιοδοτημένα ή εργοστασιακά κέντρα εξυπηρέτησης της Makita, χρησιμοποιώντας πάντοτε ανταλλακτικά της Makita.

ΠΡΟΑΙΡΕΤΙΚΑ ΕΞΑΡΤΗΜΑΤΑ

▲ ΠΡΟΣΟΧΗ: Αυτά τα εξαρτήματα ή προσαρτήματα συνιστώνται για χρήση με το εργαλείο Makita που περιγράφηκε στις οδηγίες αυτές. Η χρήση οποιωνδήποτε άλλων εξαρτημάτων ή προσαρτημάτων μπορεί να προκαλέσει κίνδυνο τραυματισμού σε άτομα. Να χρησιμοποιείτε τα εξαρτήματα ή προσαρτήματα μόνο για την χρήση που προορίζονται.

Εάν χρειάζεστε οποιαδήποτε βοήθεια για περισσότερες πληροφορίες σε σχέση με αυτά τα εξαρτήματα, απαντήστε στο τοπικό σας κέντρο εξυπηρέτησης Makita.

- Εύκαμπτος σωλήνας
- Ράβδος προέκτασης
- Ελεύθερο ακροφύσιο
- Ακροφύσιο σχήματος T
- Ακροφύσιο για μοκέτα
- Βούρτσα ραφιών
- Στρογγυλή βούρτσα
- Σακούλα φίλτρου
- Σακούλα σκόνης
- Φίλτρο
- Γνήσια μπαταρία και φορτιστής της Makita

ΠΑΡΑΤΗΡΗΣΗ: Μερικά στοιχεία στη λίστα μπορεί να συμπεριλαμβάνονται στη συσκευασία εργαλείου ως στάνταρ εξαρτήματα. Μπορεί να διαφέρουν ανάλογα με τη χώρα.

TEKNİK ÖZELLİKLER

Model:		DVC260
Kapasite	Filtre torbası	2,0 L
	Toz torbası	1,5 L
Maksimum hava hacmi	1,5 m ³ /min	
Ebat (U x G x Y) (askı hariç)	185 mm x 230 mm x 373 mm	
Nominal voltaj	D.C. 36 V	
Standart batarya kartuşu	BL1815N, BL1820, BL1820B	BL1830, BL1830B, BL1840, BL1840B, BL1850, BL1850B, BL1860B
Net ağırlık	3,8 kg	4,3 kg

- Sürekli yapılan araştırma ve geliştirmelerden dolayı, burada belirtilen özellikler önceden bildirilmeksizin değiştirilebilir.
- Özellikler ve batarya kartuşu ülkeden ülkeye değişebilir.
- EPTA-Prosedürü 01/2003 uyarınca batarya kartuşu ile birlikte ağırlık

Semboller

Aşağıdakiler makinenin için kullanılan sembolleri göstermektedir. Kullanmadan önce manalarını anladığınızdan emin olunuz.



El kitabını okuyun.



Cd
Ni-MH
Li-Ion

Sadece AB ülkeleri için
Elektrik donanımını ve batarya kutusunu evsel atıklarla birlikte bertaraf etmeyiniz!
Atık Elektrikli ve Elektronik Donanımlar, bataryalar ve Akümülatörler ve Atık bataryalar ve Akümülatörler konusundaki Avrupa Direktifleri ve bunların ulusal yasalara uygulanmaları uyarınca, kullanım ömürleri biten elektrikli donanımların, bataryaların ve batarya takım(lar)ının ayrı toplanmaları ve çevreye uyumlu bir geri kazanım tesisine getirilmeleri gereklidir.

Kullanım amacı

Bu alet kuru tozları toplamak amacıyla kullanılır. Alet; oteller, okullar, hastaneler, fabrikalar, dükkanlar, ofisler ve kiralama hizmetleri gibi ticari kullanımlar için uygundur.

Gürültü

Tipik A-ağırlıklı gürültü düzeyi (60332-2-69, 60704-2-1 standardına göre belirlenen):
Ses basınç seviyesi (L_{PA}): 70 dB (A) veya daha az
Belirsizlik (K): 2,5 dB (A)

İşlem sırasında gürültü seviyesi 80 dB (A)'yi geçebilir.

UYARI: Kulak koruyucuları takın.

Titreşim

Titreşim toplam değeri (üç eksenli vektör toplamı)
(60335-2-69 standardına göre hesaplanan):

Çalışma modu: tahtaları kesme
Titreşim emisyonu (a_h): 2,5 m/s²den az
Belirsizlik (K) : 1,5 m/s²

NOT: Beyan edilen titreşim emisyon değeri standart test yöntemine uygun şekilde ölçülmüştür ve bir aletle bir başkasıyla karşılaştırmak için kullanılabilir.

NOT: Beyan edilen titreşim emisyon değeri bir ön maruz kalma değerlendirmesi olarak da kullanılabilir.

UYARI: Bu elektrikli aletin gerçek kullanımı sırasındaki titreşim emisyonu aletin kullanım biçimlerine bağlı olarak beyan edilen emisyon değerinden farklı olabilir.

UYARI: Gerçek kullanım koşullarındaki maruz kalmanın bir tahmini hesaplaması temelinde operatörü koruyacak güvenlik önlemlerini mutlaka belirleyin (çalışma döngüsü içerisinde aletin kapalı olduğu ve aktif durumda olmasının yanı sıra boşta çalıştığı zamanlar gibi, bütün zaman dilimleri göz önünde bulundurularak değerlendirilmelidir).

EC Uygunluk Beyanı

Sadece Avrupa ülkeleri için

Biz Makita Corporation beyan ederiz ki aşağıdaki makine(ler):

Makine Adı: Akülü Sırt Süpürgesi

Model No./ Tipi: DVC260

aşağıdaki Avrupa Direktiflerine uygundur: 2006/42/EC

Aşağıdaki standartlara veya standartlaştırılmış belgelere uygun olarak imal edilmişlerdir: EN60335

2006/42/EC uyumluluğuna ilişkin teknik dosyaya şuradan ulaşılabilir:

Makita, Jan-Baptist Vinkstraat 2, 3070, Belçika
8.9.2015

Yasushi Fukaya

Yasushi Fukaya

Müdür

Makita, Jan-Baptist Vinkstraat 2, 3070, Belçika

GÜVENLİK UYARILARI

Akülü süpürgesi güvenlik uyarıları

⚠UYARI: ÖNEMLİ KULLANMADAN ÖNCE tüm güvenlik uyarılarını ve tüm talimatları **DİKKATLE OKUYUN**. Uyarılara ve talimatlara uyulmaması elektrik şoku, yangın ve/veya ciddi yaralanmalar ile sonuçlanabilir.

1. Kullanmadan önce, bu süpürgeyi kullanacak kişilerin bu süpürgeyi kullanımı konusunda yeterince bilgilendirildiğinden emin olun.
2. Süpürgeyi filtresiz kullanmayın. Hasarlı filtreyi hemen değiştirin.
3. Yanıcı malzemeleri, havai fişekleri, yanan sigaraları, sıcak külleri, sıcak metal parçaları; jilet, iğne, kırık cam vb. keskin malzemeleri süpürgeyle çekmeye çalışmayın.
4. **SÜPÜRGEYİ ASLA BENZİN, GAZ, BOYA, YAPIŞTIRICILAR YA DA DİĞER YÜKSEK ORANDA PATLAYICI ÖZELLİĞİ OLAN MADDELERİN YAKININDA KULLANMAYIN.** AÇMA ve KAPAMA sırasında anahtardan kıvılcım çıkar. Kullanım sırasında motor kolektöründen de kıvılcım çıkar. Ciddi bir patlama meydana gelebilir.
5. **Asbest, arsenik, baryum, berilyum, kurşun, pestisitler gibi zehirli, kanserojen, yanıcı veya diğer tehlikeli maddeleri veya sağlığa zararlı maddeleri süpürgeyle çekmeyin.**
6. Süpürgeyi yağmurlu havalarda dışarıda asla kullanmayın.
7. Isı kaynaklarının yakınında kullanmayın (ocak vb.).
8. Soğutma kanallarını kapatmayın. Bu kanallar motorun soğumasını sağlar. Kanallar kapatılmasından dikkatle kaçınılmalıdır, aksi takdirde yetersiz havalandırma nedeniyle motor yanar.
9. Her zaman yere sağlam basın ve dengeyi koruyun.
10. Hortumu katlamayın, çekiştirmeyin veya üzerine basmayın.
11. Kullanım sırasında performansta zayıflama ya da normal olmayan herhangi bir durum tespit ettiğinizde süpürgeyi derhal durdurun.
12. **BATARYALARI ÇIKARIN.** Kullanılmadığında, servis işlemlerinden önce ve aksesuarları değiştirirken.
13. Süpürgeyi en iyi kullanım koşullarında tutmak için her kullanımdan sonra süpürgeyi derhal temizleyin ve bakımını yapın.
14. **SÜPÜRGENİN BAKIMINI DİKKATLİ BİR ŞEKİLDE YAPIN.** Daha iyi ve güvenli performans için süpürgeyi temiz tutun. Aksesuarların değiştirilmesi için talimatlara uyun. Tutamakları kuru, temiz ve yağ ve gres bulaşmamış halde bulundurun.
15. **HASARLI PARÇALARI KONTROL EDİN.** Süpürgeyi kullanmaya devam etmeden önce, hasar görmüş siper ya da başka bir parça, uygun şekilde çalışıp çalışmayacağını ve amaçlanan işlevi görüp göremeyeceğini belirlemek amacıyla, dikkatli bir şekilde kontrol

- edilmelidir. Hareketli parçaların hizalanmalarını, bağlantılarını, parçalardaki kırıkları, montajlarını ve işleyişi etkileyebilecek başka durumları kontrol edin. Hasar görmüş siper ya da başka bir parça, bu kullanım kılavuzunda başka bir yer belirtilmediği sürece yetkili bir servis merkezi tarafından onarılmalı ya da değiştirilmelidir. Arızalı anahtarları yetkili servis merkezinde değiştirin. Anahtar süpürgeyi açıp kapatmıyorsa süpürgeyi kullanmayın.
16. **YEDEK PARÇALAR.** Servis için sadece aynı yedek parçaları kullanın.
17. **SÜPÜRGENİN KULLANILMADIĞI ZAMAN SAKLANMASI.** Kullanılmadığında, süpürgeyi iç mekanlarda saklayın.
18. Süpürgeyi düzenli olarak kullanın. Kaba kullanım en sağlam yapı süpürgeyi bile kırılmasına neden olabilir.
19. İçini ya da dışını benzin, tiner veya temizleyici kimyasallarla temizlemeye çalışmayın. Çatlaklar ya da renk değişiklikleri oluşabilir.
20. Yağ bazlı boya, boya inceltici, benzin, bazı güve yemez maddeler vb.den yanıcı, patlayıcı veya zehirli buharlar kaçan kapalı ortamlarda veya yanıcı tozların mevcut olduğu alanlarda süpürgeyi kullanmayın.
21. Süpürgeyi alkol veya ilaçların etkisi altında kullanmayın.
22. Temel bir güvenlik kuralı olarak güvenlik gözlükleri veya kenar siperli güvenlik gözlükleri kullanın.
23. Tozlu çalışma koşullarında bir toz maskesi kullanın.
24. Bu makine fiziksel, duyuusal ya da zihinsel yetenekleri kısıtlı olan veya deneyim ya da bilgileri olmayan kişiler ve çocuklar tarafından kullanıma uygun değildir.
25. Küçük çocuklar, süpürgeyle oynamamaları için gözetilmelidir.
26. Bataryalara ve süpürgeye asla ıslak elle ellemeyin.
27. Merdivenlerde temizlik yaparken çok dikkatli olun.
28. Süpürgeyi basamak ya da çalışma tezgahı olarak kullanmayın. Makine devrilebilir ve kişisel yaralanmaya neden olabilir.

Servis

1. Elektrikli aletinize nitelikli bir onarım elemanı tarafından orijinal parçaları kullanılarak servis verilmesini sağlayın. Bu, elektrikli aletin güvenli kalmasını temin eder.
2. Yağlama ve aksesuar değiştirme talimatlarına uyun.
3. Tutamakları kuru, temiz ve yağ ve gres bulaşmamış halde bulundurun.

Batarya kartuşu hakkında önemli güvenlik talimatları

1. Batarya kartuşunu kullanmadan önce, tüm talimatları ve (1) batarya kartuşu, (2) batarya ve (3) ürün üzerindeki tüm uyarı işaretlerini okuyun.
2. Batarya kartuşunu demonte etmeyin.

3. Çalışma süresi aşırı derecede kısalırsa kullanmayı derhal bırakın. Aşırı ısınma, yanma riski hatta patlamaya neden olabilir.
4. Gözünüze elektrolit kaçarsa, gözlerinizi temiz suyla durulayın ve hemen tıbbi yardım alın. Görme kaybına yol açabilir.
5. Batarya kartuşuna kısa devre yaptırmayın:
 - (1) Terminallere herhangi bir iletken madde deşdırmeyin.
 - (2) Batarya kartuşunu çiviler, madeni paralar, vb. gibi başka metal nesnelere aynı kaba koymaktan kaçının.
 - (3) Batarya kartuşunu yağmura ya da suya maruz bırakmayın.

Kısa devre, büyük bir akım akışına, aşırı ısınmaya, olası yanıklara hatta bataryanın bozulmasına yol açabilir.

6. Aleti ve batarya kartuşunu sıcaklığın 50°C ya da daha yüksekçe ulaştığı yerlerde saklamayın.
7. Aşırı derecede hasar görmüş ya da tamamen kullanılamaz durumda olsa bile batarya kartuşunu yakmayın. Batarya kartuşu ateşe atılırsa patlayabilir.
8. Bataryayı düşürmemeye ve çarpmamaya dikkat edin.
9. Hasarlı bataryayı kullanmayın.
10. Aletin içerdığı lityum-iyon bataryalar Tehlikeli Eşyalar Yönetmeliğinin gereksinimlerine tabidir.

Ticari nakliye işlemleri için, örneğın üçüncü taraflar, nakliye acenteleri tarafından yapılan nakliyelerde, paketleme ve etiketleme gereksinimlerine uyulmalıdır.

Nakliyesi yapılacak ürünün hazırlanması için, tehlikeli maddeler konusunda uzman bir kişiyeye danışın. Lütfen muhtemelen daha ayrıntılı olan ulusal yönetmeliklere de uyun.

Açık kontakları bantlayın ya da maskeleyin ve bataryayı paketin içinde hareket etmeyecek şekilde paketlenin.

11. Bataryanın elden çıkarılması ile ilgili yerel düzenlemelere uyunuz.

BU TALİMATLARI MUHAFAZA EDİNİZ.

⚠DİKKAT: Sadece orijinal Makita bataryalarını kullanın. Orijinal olmayan Makita bataryaları ya da üzerine değışiklik yapılmış bataryaların kullanımı bataryanın patlamasına ve sonuç olarak yangın, kişisel yaralanma ve hasara neden olabilir. Ayrıca Makita aleti ve şarj aletinın Makita tarafından sunulan garantisini de geçersiz olur.

Maksimum batarya ömrü için ipuçları

1. Batarya kartuşunu tamamen boşalmadan önce şarj edin. Aletin gücünün zayıflamaya başladığını fark ettiğinizde aleti durdurun ve batarya kartuşunu şarj edin.
2. Tam dolu bir batarya kartuşunu asla yeniden şarj etmeyin. Aşırı şarj etme bataryanın hizmet ömrünü kısaltır.

3. Batarya kartuşunu 10°C - 40°C oda sıcaklığında şarj edin. Sıcak bir batarya kartuşunu şarj etmeden önce soğumasını bekleyin.
4. Uzun bir süre (altı aydan daha fazla) kullanmadığınız durumlarda batarya kartuşunu şarj edin.

İŞLEVSEL NİTELİKLER

⚠DİKKAT: Alet üzerinde ayarlama veya işleyiş kontrolü yapmadan önce aletin kapalı ve batarya kartuşunun ayrılmış olduğundan daima emin olun.

Batarya kartuşunun takılması ve çıkarılması

⚠DİKKAT: Batarya kartuşunu takmadan ya da çıkarmadan önce aleti daima kapatın.

⚠DİKKAT: Batarya kartuşunu takarken veya çıkarırken aleti ve batarya kartuşunu sıkıca tutun. Aletin ve batarya kartuşunun sıkıca tutulmaması bunların düşürülmesine sebep olabilir ve alet ve batarya kartuşunun zarar görmesine ya da ciddi yaralanmasına yol açabilir.

► **Şek.1:** 1. Kırmızı gösterge 2. Düğme 3. Batarya kartuşu

Batarya kartuşunu çıkarmak için, kartuşun ön tarafındaki düğmeyi kaydırarak kartuşu aletten çıkarın.

Batarya kartuşunu takmak için, batarya kartuşu üzerindeki dili yuvanın çentiğı ile hizalayın ve yerine oturtun. Hafif bir tık sesi duyulana kadar itip yerine tam oturmasını sağlayın. Düğmenin üst tarafındaki kırmızı gösterge görünüyorsa tam yerine kilitlenmemiş demektir.

⚠DİKKAT: Batarya kartuşunu daima kırmızı gösterge görünmeyecek şekilde tam olarak takın. Yerine tam oturmazsa, aletten yanlışlıkla düşebilir, sizin ya da çevrenizdeki kişilerin yaralanmasına neden olabilir.

⚠DİKKAT: Batarya kartuşunu zorlayarak takmayın. Kartuş kolay bir şekilde kaymıyorsa doğru yerleştirilmemiş demektir.

Alet/batarya koruma sistemi

Bu alet bir alet/batarya koruma sistemi ile donatılmıştır. Bu sistem motora giden gücü otomatik olarak keserek uzun alet ve batarya ömrü sağlar. Alet veya batarya için aşağıdaki durumlardan biri söz konusu olduğunda aletin işleyiş otomatik olarak durur. Bazı durumlarda göstergeler yanar.

Aşırı yük koruması

Alet, anormal derecede yüksek akım çekmesine neden olacak şekilde kullanıldığında, alet hiçbir belirti vermeden otomatik olarak durur. Bu durumda, aleti kapatın ve aletin aşırı yüklenmesine neden olan uygulamayı durdurun. Daha sonra aleti yeniden başlaması için çalıştırın.

Aşırı ısınma koruması

Alet aşırı ısındığında otomatik olarak durur. Tekrar çalıştırmadan önce aletin soğumasını bekleyin.

Aşırı deşarj koruması

Batarya kapasitesi düştüğünde, alet otomatik olarak durur. Anahtarlar devredeyken bile ürün çalışmıyorsa, bataryaları aletten çıkarıp şarj edin.

Kalan batarya kapasitesinin gösterilmesi

Sadece model numarasının sonunda "B" yazan batarya kartuşları için

► **Şek.2:** 1. Gösterge lambaları 2. Kontrol düğmesi

Kalan batarya kapasitesini göstermesi için batarya kartuşu üzerindeki kontrol düğmesine basın. Gösterge lambaları birkaç saniye yanar.

Gösterge lambaları			Kalan kapasite
Yanıyor	Kapalı	Yanıp sönmüyor	
			%75 ila %100
			%50 ila %75
			%25 ila %50
			%0 ila %25
			Bataryayı şarj edin.
			Batarya arızalanmış olabilir.

NOT: Kullanım koşullarına ve ortam sıcaklığına bağlı olarak, gösterilen değer gerçek kapasiteden biraz farklılık gösterebilir.

Anahtar kutusu konumu

Anahtar kutusu alt kemerin her iki yanına da takılabilir. Kabloyu ayarlayarak anahtar kutusunu istediğiniz tarafa getirin. Kablo'nun hasar görmesini önlemek için, kabloyu şekilde gösterildiği gibi kancadan geçirin.

► **Şek.3:** 1. Kanca 2. Kablo

Kemerlerin ayarlanması

Omuz kayışlarının, üst ve alt kemerlerin sıklığı ayarlanabilir. Önce kollarınızı omuz kayışlarından geçirin, ardından üst ve alt kemerleri sıkılayın. Sıkılamak için, askının ucunu şekilde gösterildiği gibi çekin. Gevşetmek için, mandalın ucunu yukarıya doğru çekin.

Omuz kayışı

► **Şek.4:** 1. Askı 2. Mandal

Üst kemer

► **Şek.5:** 1. Askı 2. Mandal

Alt kemer

► **Şek.6:** 1. Askı 2. Mandal

Taşıma kancası

Süpürge gövdesini taşıırken daima taşıma kancasından kavrayın.

► **Şek.7:** 1. Taşıma kancası

Hortum kelepçesi

Hortum kelepçesi süpürge'nin çubuğunu veya serbest ağızını tutmak için kullanılabilir.

Çubuğu süpürge'nin gövdesine sabitlemek için hortum kelepçesini gövde üzerindeki yuvadan geçirin. Hortum kelepçesini her iki tarafa da takabilirsiniz.

► **Şek.8:** 1. Hortum kelepçesi 2. Yuva 3. Uzatma çubuğu

Serbest ağız alt kemerin üzerinde tutmak için, hortum kelepçesini alt kemerin üzerindeki halkanın içinden geçirin.

► **Şek.9:** 1. Hortum kelepçesi 2. Serbest ağız

Uzatma çubuğu

Çubuğun uzunluğu ayarlanabilir. Çubuk üzerindeki bileziği gevşetin ve çubuğun uzunluğunu ayarlayın. Bileziği istediğiniz uzunlukta sıkılayın.

► **Şek.10:** 1. Bilezik

Anahtar işlemi

Temizlemeye başlamak için (1) düğmesine bir kez basın. Süpürge yüksek emiş gücünde (2) çalışmaya başlar. Emiş gücünü azaltmak isterseniz, (3) düğmesine bir kez daha basın. Süpürge normal emiş gücünde (1) çalışır. Süpürge çalışırken düğmeye bastığınızda, emme gücü yüksek ile normal emiş gücü arasında geçiş yapar. Süpürgeyi kapatmak için (0) düğmesine basın.

► **Şek.11**

LED lamba

Karanlık yerlerde çalışmayı kolaylaştırmak için, anahtar kutusunun baş kısmına LED lamba monte edilmiştir.

Lambayı açmak için (1) düğmesine basın. Kapatmak için, (2) düğmesine tekrar basın.

► **Şek.12**

⚠DİKKAT: Işığa ya da ışığın kaynağına doğrudan bakmayın. Işığı asla başka insanların gözüne doğrultmayın.

NOT: Süpürge 10 dakikadan fazla kullanılmadığında LED lamba otomatik olarak kapanır.

NOT: Tıkanan hortum, boru, filtre ya da başka bir nedenle makineye giren hava akışı azaldığı için süpürge aşırı ısındığında, süpürge otomatik olarak kapanır ve LED lamba yanıp sönmeye başlar.

MONTAJ

⚠ DİKKAT: Alet üzerinde herhangi bir iş yapmadan önce aletin kapalı ve batarya kartuşunun ayrılmış olduğundan daima emin olun.

Hortum/çubuk/ağzın takılması

Süpürge gövdesini hortum, çubuk ve ağızla bağlayın. Hortum manşonunu süpürge gövdesine takın ve saat yönünde döndürün. Ağız uzatma çubuğuna bağlayın. Ardından, süpürge gövdesini omzunuza alın ve hortumu uzatma çubuğuna takın.

Süpürge gövdesi ile hortumun bağlanması

► **Şek.13:** 1. Hortum manşonu 2. Süpürge gövdesi

Uzatma çubuğu ve ağzın bağlanması

► **Şek.14:** 1. Uzatma çubuğu 2. Serbest ağız 3. T şekilli ağız

NOT: Serbest ağız hortuma doğrudan bağlanabilir.

Hortum ve uzatma çubuğunun bağlanması

► **Şek.15:** 1. Hortum 2. Uzatma çubuğu 3. Serbest ağız

NOT: Serbest ağız hortuma doğrudan bağlanabilir.

Filtre torbasının takılması

⚠ DİKKAT: Hasarlı bir filtre torbasını kullanmayın. Süpürgeyi daima filtre torbası düzgün bir şekilde takılmış halde kullanın. Aksi takdirde, vakumlanan toz ve parçacıklar süpürgeден dışarı çıkararak operatörde solunum yolu hastalıklarına neden olabilir.

ÖNEMLİ NOT: Filtre torbası dolduğunda yenisiyle değiştirin. Filtre torbası sürekli olarak dolu bir şekilde kullanılırsa emiş gücünde azalma meydana gelir.

1. Alt tarafı kaldırarak mandalın kilidini açın. Oluklu alanı iterek ön mandal tarafını kaldırın. Kapağı açmak için mandalı çekin.
► **Şek.16:** 1. Kanca 2. Kapak

2. Filtre torbasını şekilde gösterildiği gibi yuvanın üst kısmındaki keşiğin içine takın.
► **Şek.17:** 1. Kesik 2. Filtre torbası / Toz torbası

Bir toz torbası (isteğe bağlı aksesuar) kullandığınızda, toz torbasının kenarını keşiğin içine yerleştirin.
► **Şek.18:** 1. Kesik 2. Kenar

3. Filtre torbasının deliğini hortum manşonu ile hizalayın ve karton kısmı sonuna kadar itin. Filtre torbası üzerindeki kauçuk bileziğin hortum manşetinin kenarının üzerine geldiğinden emin olun.

► **Şek.19:** 1. Filtre torbası üzerindeki kauçuk bilezik 2. Hortum manşetinin kenarı 3. Filtre torbasının karton kısmı 4. Hortum manşonu

KULLANIM

⚠ UYARI: Operatörlerin süpürge kullanımı konusunda yeterli bir şekilde bilgilendirilmesi gereklidir.

⚠ UYARI: Süpürge tehlikeli tozları toplamak için uygun değildir.

⚠ DİKKAT: Bu süpürge sadece kuru kullanım içindir.

⚠ DİKKAT: Bu süpürge sadece iç mekanlarda kullanım içindir.

⚠ DİKKAT: Batarya kartuşunu daima yerine tam kilitlene kadar itin. Düğmenin üst tarafındaki kırmızı göstergesi görüyorsanız, kartuş tam kilitlenmemiş demektir. Kırmızı gösterge görünmeyecek şekilde tam olarak oturtun. Aksi takdirde, aletten yanlışlıkla düşebilir, sizin ya da çevrenizdeki kişilerin yaralanmasına neden olabilir.

1. Süpürge gövdesini omzunuza geçirip üst ve alt kemerleri takın. Sıklığını gerektiği gibi ayarlayın.

► **Şek.20**

2. Temizliğe başlamak için $\left(\frac{+}{-}\right)$ düğmesine basın. Emiş gücünü azaltmak isterseniz, $\left(\frac{+}{-}\right)$ düğmesine bir kez daha basın. Durmak için $\left(\frac{0}{0}\right)$ düğmesine basın.

► **Şek.21**

Temizlik sırasında anahtar kutusunu alt kemere üzerine kancayla takın. Önünüzü aydınlatmak için kanca eğilebilir.

► **Şek.22**

Çalışmaya ara verdiğinizde, hortumun üzerindeki kanca çubuğu alt kemere asmak için kullanılabilir.

► **Şek.23**

NOT: Tıkanan hortum, boru, filtre ya da başka bir nedenle makineye giren hava akışı azaldığı için süpürge aşırı ısındığında, süpürge otomatik olarak kapanır ve LED lamba yanıp sönmeye başlar. Bu durumda, problemin nedenini ortadan kaldırın ve yeniden başlatmadan önce süpürgeyi soğutun.

3. Dolduğu zaman filtre torbasını değiştirin. Kapağı ve filtre torbasını çıkarın. Filtre torbasını kapatmak için açıklığın olduğu taraftaki şeridi çekin ve filtre torbasını bütün olarak atın.

► **Şek.24:** 1. Şerit

Bir toz torbası (isteğe bağlı aksesuar) kullandığınızda, toz torbasını çıkarın ve mandalı açarak tozu boşaltın.

► **Şek.25:** 1. Mandal

ÖNEMLİ NOT: Filtre torbasının dolup dolmadığını periyodik olarak kontrol edin. Filtre torbası sürekli olarak dolu bir şekilde kullanılırsa emiş gücünde azalma meydana gelir.

ÖNEMLİ NOT: Kullanılmış bir filtre torbasını yeniden kullanmayın. Filtre torbası tek kullanımlık olarak tasarlanmıştır. Torbayı tekrar tekrar kullanmak isterseniz bir toz torbası (isteğe bağlı aksesuar) kullanın.

BAKIM

⚠ DİKKAT: Muayene ya da bakım yapmadan önce aletin kapalı ve batarya kartuşunun çıkartılmış olduğundan daima emin olun.

ÖNEMLİ NOT: Benzin, tiner, alkol ve benzeri maddeleri kesinlikle kullanmayın. Renk değişimi, deformasyon veya çatlaklar oluşabilir.

Filtrenin temizlenmesi

⚠ DİKKAT: Süpürgeyi filtersiz olarak kullanmayın ya da kirli veya hasarlı bir filtreyle kullanmaya devam etmeyin. Vakumlanan toz ve parçacıklar süpürgeден dışarı çıkarak operatörde solunum yolu hastalıklarına neden olabilir.

ÖNEMLİ NOT: En iyi emiş gücünü korumak ve temiz bir çıkış sağlamak için, filtreyi periyodik olarak temizleyin. Temizlikten sonra bile yeterli emiş gücü sağlanamıyorsa filtreyi yenisiyle değiştirin.

ÖNEMLİ NOT: Filtrenin hasar görmesini önlemek için, temizlik amacıyla havalı bir toz üfleme aparatı ve/veya yüksek basınçlı bir çamaşır makinesi kullanmayın.

1. Kapağı açın ve filtre torbasını çıkarın. Filtre üzerindeki kancayı açın ve filtreyi süpürge gövdesinden çıkarın.

► **Şek.26**

2. Filtreye vurarak tozunun çıkmasını sağlayın. Filtre suyla yıkanabilir. 1-2 ayda bir, filtre üzerindeki toz ve parçacıkları suyla giderin. Ardından, filtreyi iyi havalandırılan gölge bir yerde kurutarak istenmeyen kokuların ya da anızaların oluşmasını engelleyin.

3. Filtreyi takmak için, kapaksız tarafı tutucuya sokun ve kapak kiriş ile sabitlenene kadar filtreye aşağı doğru bastırın.

► **Şek.27:** 1. Tutucu 2. Filtre 3. Kiriş 4. Kapak

Toz torbasının temizlenmesi

Toz torbasını su ve sabunla düzenli olarak temizleyin. Toz torbasının tersini çevirerek yapışan tozları gidirin. Elinizde nazikçe yıkayın ve suyla iyice durulayın. Elektrikli süpürgeye takmadan önce tamamen kurutun.

► **Şek.28**

ÖNEMLİ NOT: Islak toz torbası vakumlama performansını düşürdüğü gibi motor ömrünü de kısaltır.

Aleti EMNİYETLİ ve ÇALIŞMAYA HAZIR durumda tutmak için onarımlar, başka her türlü bakım ve ayarlamalar daima Makita yedek parçaları kullanılarak Makita yetkili servis merkezleri veya Fabrikanın Servis Merkezleri tarafından yapılmalıdır.

İSTEĞE BAĞLI AKSESUARLAR

⚠ DİKKAT: Bu aksesuarlar ve ek parçalar bu el kitabında belirtilen Makita aletiniz ile kullanılmak için tavsiye edilmektedir. Herhangi başka bir aksesuar ya da ek parça kullanılması insanlar için bir yaralanma riski getirebilir. Aksesuarları ya da ek parçaları yalnızca belirtilmiş olan kullanım amaçlarına uygun olarak kullanın.

Bu aksesuarlarla ilgili daha fazla bilgiye ihtiyaç duyar-sanız bulunduğunuz yerdeki yetkili Makita servisine başvurun.

- Esnek hortum
- Uzatma çubuğu
- Serbest ağız
- T şekilli ağız
- Halı ağız
- Raf fırçası
- Yuvarlak fırça
- Filtre torbası
- Toz torbası
- Filtre
- Orijinal Makita batarya ve şarj aleti

NOT: Listedeki parçaların bazıları alet paketi içerisinde standart aksesuar olarak dahil edilmiş olabilir. Bunlar ülkeden ülkeye farklılık gösterebilir.

Makita Jan-Baptist Vinkstraat 2, 3070, Belgium

Makita Corporation 3-11-8, Sumiyoshi-cho,
Anjo, Aichi 446-8502 Japan

www.makita.com

885492A999 EN, FR, DE, IT, NL, ES, PT, DA, EL, TR 20160115
--