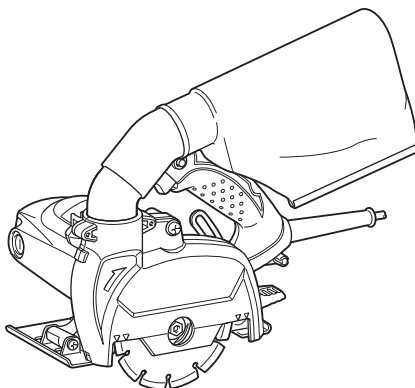




<b>EN</b>	Dustless Cutter	<b>INSTRUCTION MANUAL</b>	<b>4</b>
<b>FR</b>	Scie Diamant	<b>MANUEL D'INSTRUCTIONS</b>	<b>9</b>
<b>DE</b>	Diamantschneider	<b>BETRIEBSANLEITUNG</b>	<b>14</b>
<b>IT</b>	Troncatrice antipolveri	<b>ISTRUZIONI PER L'USO</b>	<b>19</b>
<b>NL</b>	Slijpmachine met stofopvang	<b>GEBRUIKSAANWIJZING</b>	<b>24</b>
<b>ES</b>	Cortadora Antipolvo de Mármol	<b>MANUAL DE INSTRUCCIONES</b>	<b>29</b>
<b>PT</b>	Serra Marmore com Coletor de Pó	<b>MANUAL DE INSTRUÇÕES</b>	<b>34</b>
<b>DA</b>	Støvfri skærer	<b>BRUGSANVISNING</b>	<b>39</b>
<b>EL</b>	Κόπτης χωρίς σκόνη	<b>ΕΓΧΕΙΡΙΔΙΟ ΟΔΗΓΙΩΝ</b>	<b>44</b>
<b>TR</b>	Tozsuz Kesme Makinası	<b>KULLANMA KILAVUZU</b>	<b>50</b>

# 4100KB



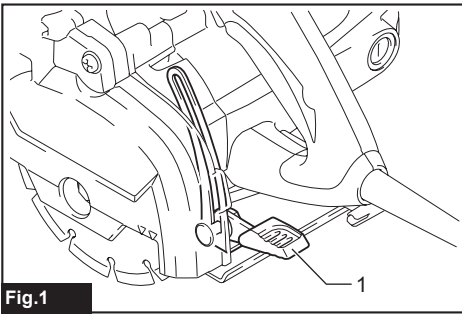


Fig.1

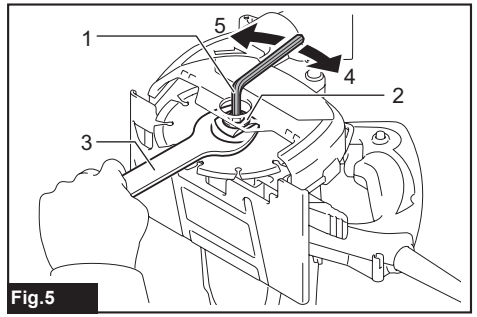


Fig.5

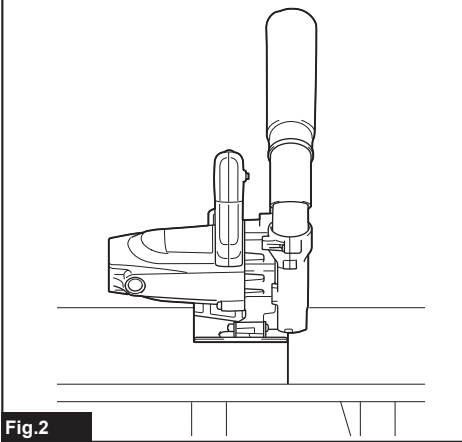


Fig.2

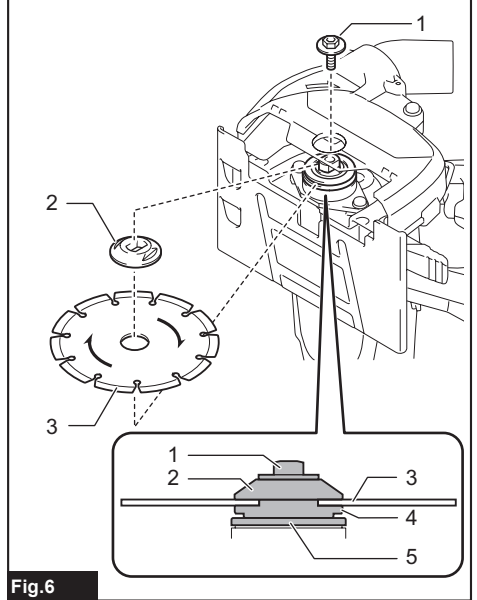


Fig.6

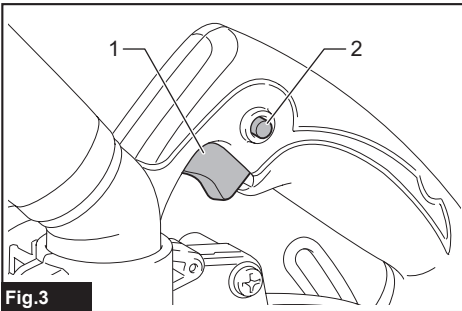


Fig.3

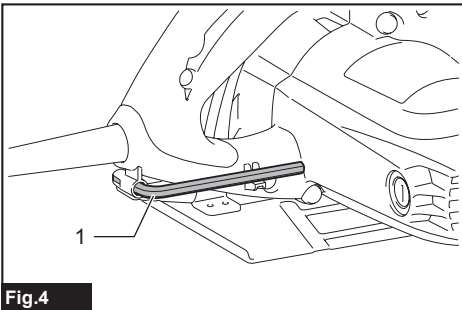


Fig.4

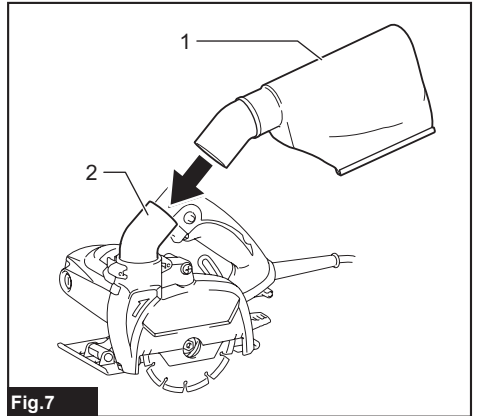
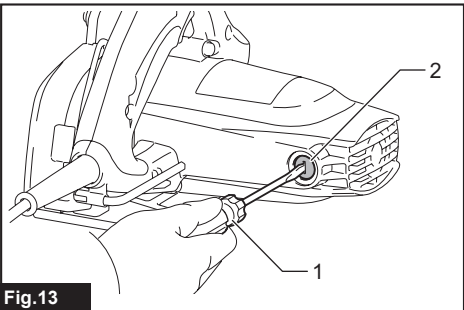
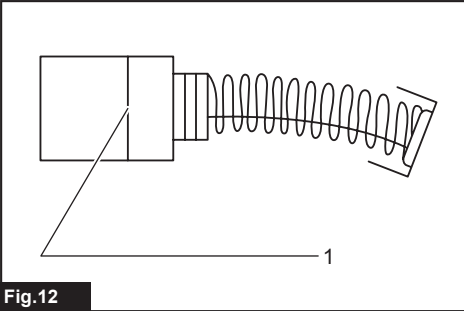
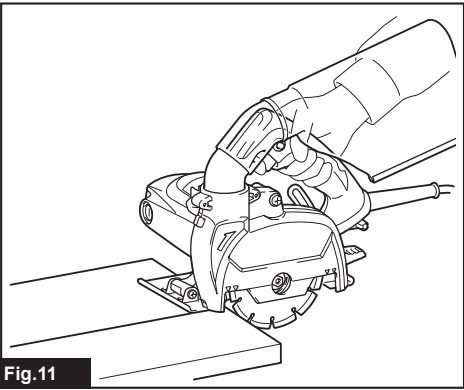
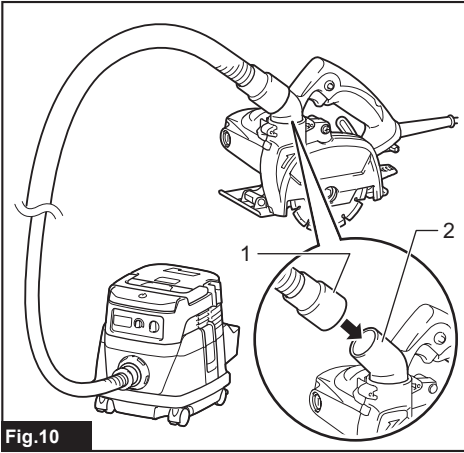
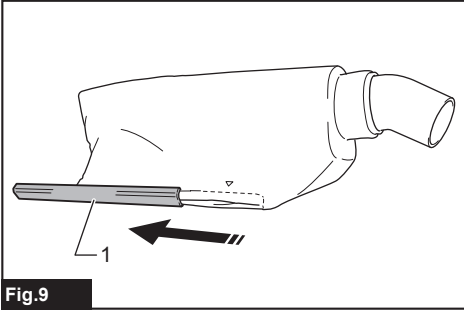
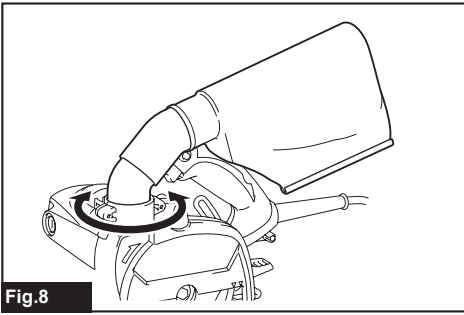


Fig.7



## SPECIFICATIONS

Model:	4100KB
Wheel diameter	125 mm
Max. wheel thickness	2.2 mm
Max. cutting capacities	40 mm
Rated speed (n)	12,200 min <sup>-1</sup>
Overall length	231 mm
Net weight	3.0 kg
Safety class	▣/II

- Due to our continuing program of research and development, the specifications herein are subject to change without notice.
- Specifications may differ from country to country.
- Weight according to EPTA-Procedure 01/2014

### Intended use

The tool is intended for cutting in brick and concrete without the use of water.

### Power supply

The tool should be connected only to a power supply of the same voltage as indicated on the nameplate, and can only be operated on single-phase AC supply. They are double-insulated and can, therefore, also be used from sockets without earth wire.

### For public low-voltage distribution systems of between 220 V and 250 V

Switching operations of electric apparatus cause voltage fluctuations. The operation of this device under unfavorable mains conditions can have adverse effects to the operation of other equipment. With a mains impedance equal or less than 0.37 Ohms it can be presumed that there will be no negative effects. The mains socket used for this device must be protected with a fuse or protective circuit breaker having slow tripping characteristics.

### Noise

The typical A-weighted noise level determined according to EN60745:

Sound pressure level ( $L_{pA}$ ) : 96 dB(A)

Sound power level ( $L_{WA}$ ) : 107 dB (A)

Uncertainty (K) : 3 dB(A)

**⚠ WARNING: Wear ear protection.**

### Vibration

The vibration total value (tri-axial vector sum) determined according to EN60745:

Work mode: concrete cutting

Vibration emission ( $a_n$ ) : 6.0 m/s<sup>2</sup>

Uncertainty (K) : 1.5 m/s<sup>2</sup>

**NOTE:** The declared vibration emission value has been measured in accordance with the standard test method and may be used for comparing one tool with another.

**NOTE:** The declared vibration emission value may also be used in a preliminary assessment of exposure.

**⚠ WARNING:** The vibration emission during actual use of the power tool can differ from the declared emission value depending on the ways in which the tool is used.

**⚠ WARNING:** Be sure to identify safety measures to protect the operator that are based on an estimation of exposure in the actual conditions of use (taking account of all parts of the operating cycle such as the times when the tool is switched off and when it is running idle in addition to the trigger time).

### EC Declaration of Conformity

#### For European countries only

The EC declaration of conformity is included as Annex A to this instruction manual.

## SAFETY WARNINGS

### General power tool safety warnings

**⚠ WARNING: Read all safety warnings, instructions, illustrations and specifications provided with this power tool.** Failure to follow all instructions listed below may result in electric shock, fire and/or serious injury.

### Save all warnings and instructions for future reference.

The term "power tool" in the warnings refers to your mains-operated (corded) power tool or battery-operated (cordless) power tool.



## Cutter safety warnings

- The guard provided with the tool must be securely attached to the power tool and positioned for maximum safety, so the least amount of wheel is exposed towards the operator. Position yourself and bystanders away from the plane of the rotating wheel.** The guard helps to protect operator from broken wheel fragments and accidental contact with wheel.
- Use only diamond cut-off wheels for your power tool.** Just because an accessory can be attached to your power tool, it does not assure safe operation.
- The rated speed of the accessory must be at least equal to the maximum speed marked on the power tool.** Accessories running faster than their rated speed can break and fly apart.
- Wheels must be used only for recommended applications. For example: do not grind with the side of cut-off wheel.** Abrasive cut-off wheels are intended for peripheral grinding, side forces applied to these wheels may cause them to shatter.
- Always use undamaged wheel flanges that are of correct diameter for your selected wheel.** Proper wheel flanges support the wheel thus reducing the possibility of wheel breakage.
- The outside diameter and the thickness of your accessory must be within the capacity rating of your power tool.** Incorrectly sized accessories cannot be adequately guarded or controlled.
- The arbour size of wheels and flanges must properly fit the spindle of the power tool.** Wheels and flanges with arbour holes that do not match the mounting hardware of the power tool will run out of balance, vibrate excessively and may cause loss of control.
- Do not use damaged wheels. Before each use, inspect the wheels for chips and cracks. If power tool or wheel is dropped, inspect for damage or install an undamaged wheel. After inspecting and installing the wheel, position yourself and bystanders away from the plane of the rotating wheel and run the power tool at maximum no load speed for one minute.** Damaged wheels will normally break apart during this test time.
- Wear personal protective equipment. Depending on application, use face shield, safety goggles or safety glasses. As appropriate, wear dust mask, hearing protectors, gloves and shop apron capable of stopping small abrasive or workpiece fragments.** The eye protection must be capable of stopping flying debris generated by various operations. The dust mask or respirator must be capable of filtering particles generated by your operation. Prolonged exposure to high intensity noise may cause hearing loss.
- Keep bystanders a safe distance away from work area. Anyone entering the work area must wear personal protective equipment.** Fragments of workpiece or of a broken wheel may fly away and cause injury beyond immediate area of operation.
- Hold the power tool by insulated gripping surfaces only, when performing an operation where the cutting accessory may contact hidden wiring or its own cord.** Cutting accessory contacting a "live" wire may make exposed metal parts of the power tool "live" and could give the operator an electric shock.
- Position the cord clear of the spinning accessory.** If you lose control, the cord may be cut or snagged and your hand or arm may be pulled into the spinning wheel.
- Never lay the power tool down until the accessory has come to a complete stop.** The spinning wheel may grab the surface and pull the power tool out of your control.
- Do not run the power tool while carrying it at your side.** Accidental contact with the spinning accessory could snag your clothing, pulling the accessory into your body.
- Regularly clean the power tool's air vents.** The motor's fan will draw the dust inside the housing and excessive accumulation of powdered metal may cause electrical hazards.
- Do not operate the power tool near flammable materials.** Sparks could ignite these materials.
- Do not use accessories that require liquid coolants.** Using water or other liquid coolants may result in electrocution or shock.

### Kickback and related warnings

Kickback is a sudden reaction to a pinched or snagged rotating wheel. Pinching or snagging causes rapid stalling of the rotating wheel which in turn causes the uncontrolled power tool to be forced in the direction opposite of the wheel's rotation at the point of the binding.

For example, if an abrasive wheel is snagged or pinched by the workpiece, the edge of the wheel that is entering into the pinch point can dig into the surface of the material causing the wheel to climb out or kick out. The wheel may either jump toward or away from the operator, depending on direction of the wheel's movement at the point of pinching. Abrasive wheels may also break under these conditions.

Kickback is the result of power tool misuse and/or incorrect operating procedures or conditions and can be avoided by taking proper precautions as given below.

- Maintain a firm grip on the power tool and position your body and arm to allow you to resist kickback forces. Always use auxiliary handle, if provided, for maximum control over kickback or torque reaction during start-up.** The operator can control torque reactions or kickback forces, if proper precautions are taken.
- Never place your hand near the rotating accessory.** Accessory may kickback over your hand.
- Do not position your body in line with the rotating wheel.** Kickback will propel the tool in direction opposite to the wheel's movement at the point of snagging.
- Use special care when working corners, sharp edges etc. Avoid bouncing and snagging the accessory.** Corners, sharp edges or bouncing have a tendency to snag the rotating accessory and cause loss of control or kickback.

5. **Do not attach a saw chain, woodcarving blade, segmented diamond wheel with a peripheral gap greater than 10 mm or toothed saw blade.** Such blades create frequent kickback and loss of control.
6. **Do not “jam” the wheel or apply excessive pressure. Do not attempt to make an excessive depth of cut.** Overstressing the wheel increases the loading and susceptibility to twisting or binding of the wheel in the cut and the possibility of kickback or wheel breakage.
7. **When wheel is binding or when interrupting a cut for any reason, switch off the power tool and hold the power tool motionless until the wheel comes to a complete stop. Never attempt to remove the wheel from the cut while the wheel is in motion otherwise kickback may occur.** Investigate and take corrective action to eliminate the cause of wheel binding.
8. **Do not restart the cutting operation in the workpiece. Let the wheel reach full speed and carefully re-enter the cut.** The wheel may bind, walk up or kickback if the power tool is restarted in the workpiece.
9. **Support panels or any oversized workpiece to minimize the risk of wheel pinching and kickback.** Large workpieces tend to sag under their own weight. Supports must be placed under the workpiece near the line of cut and near the edge of the workpiece on both sides of the wheel.
10. **Use extra caution when making a “pocket cut” into existing walls or other blind areas.** The protruding wheel may cut gas or water pipes, electrical wiring or objects that can cause kickback.
11. **Before using a segmented diamond wheel, make sure that the diamond wheel has the peripheral gap between segments of 10 mm or less, only with a negative rake angle.**

#### Additional Safety Warnings:

1. **Never attempt to cut with the tool held upside down in a vise.** This can lead to serious accidents, because it is extremely dangerous.
2. **Some material contains chemicals which may be toxic. Take caution to prevent dust inhalation and skin contact. Follow material supplier safety data.**
3. **Store wheels as per manufacturer recommendations.** Improper storage may damage the wheels.

## SAVE THESE INSTRUCTIONS.

**⚠WARNING:** DO NOT let comfort or familiarity with product (gained from repeated use) replace strict adherence to safety rules for the subject product. MISUSE or failure to follow the safety rules stated in this instruction manual may cause serious personal injury.

## FUNCTIONAL DESCRIPTION

**⚠CAUTION:** Always be sure that the tool is switched off and unplugged before adjusting or checking function on the tool.

### Adjusting depth of cut

**⚠CAUTION:** After adjusting the depth of cut, always tighten the lever securely.

Loosen the lever on the depth guide and move the base up or down. At the desired depth of cut, secure the base by tightening the lever.

For cleaner, safer cuts, set cut depth so that the diamond wheel projects 2 mm or less below workpiece. Using proper cut depth helps to reduce potential for dangerous KICKBACKS which can cause personal injury.

► Fig.1: 1. Lever

### Sighting

Align the edge of the front of the base with your cutting line on the workpiece.

► Fig.2

### Switch action

**⚠CAUTION:** Before plugging in the tool, always check to see that the switch trigger actuates properly and returns to the "OFF" position when released.

► Fig.3: 1. Switch trigger 2. Lock button / Lock-off button

### For tool with lock button

**⚠CAUTION:** Switch can be locked in "ON" position for ease of operator comfort during extended use. Apply caution when locking tool in "ON" position and maintain firm grasp on tool.

To start the tool, simply pull the switch trigger. Release the switch trigger to stop. For continuous operation, pull the switch trigger, push in the lock button and then release the switch trigger. To stop the tool from the locked position, pull the trigger fully, then release it.

### For tool with lock-off button

To prevent the switch trigger from being accidentally pulled, a lock-off button is provided. To start the tool, press the lock-off button and pull the switch trigger. Release the switch trigger to stop.

**⚠ WARNING: NEVER use the tool if it runs when you simply pull the switch trigger without pressing the lock-off button.** A switch in need of repair may result in unintentional operation and serious personal injury. Return tool to a Makita service center for proper repairs BEFORE further usage.

**⚠ WARNING: NEVER defeat the lock-off button by taping down or some other means.** A switch with a negated lock-off button may result in unintentional operation and serious personal injury.

**⚠ CAUTION: Do not pull the switch trigger hard without pressing in the lock-off button. This can cause switch breakage.**

## ASSEMBLY

**⚠ CAUTION: Always be sure that the tool is switched off and unplugged before carrying out any work on the tool.**

### Hex wrench storage

When not in use, store the hex wrench as shown in the figure to keep it from being lost.

► Fig.4: 1. Hex wrench

### Removing or installing diamond wheel

**⚠ CAUTION: BE SURE TO TIGHTEN THE HEX BOLT SECURELY. Also be careful not to tighten the bolt forcibly.** Slipping your hand from the hex wrench can cause a personal injury.

**⚠ CAUTION: Use only the Makita wrench and hex wrench to install or remove the wheel.**

Hold the outer flange with the wrench and loosen the hex bolt with the hex wrench. Then remove the hex bolt, outer flange and diamond wheel.

► Fig.5: 1. Hex wrench 2. Hex bolt 3. Wrench 22  
4. Loosen 5. Tighten

To install the diamond wheel, follow the removal procedure in reverse. Always install the wheel so that the arrow on the diamond wheel points in the same direction as the arrow on the gear housing.

► Fig.6: 1. Hex bolt 2. Outer flange 3. Diamond wheel  
4. Inner flange 5. Cup washer

### Dust bag

The use of the dust bag makes cutting operations clean and dust collection easy. To attach the dust bag, fit it onto the dust spout.

► Fig.7: 1. Dust bag 2. Dust spout

The neck of the dust spout rotates freely. Position the dust bag so that you can operate the tool comfortably.

► Fig.8

When the dust bag is about one-third full, remove the dust bag from the tool and pull the fastener out. Empty the dust bag of its contents, tapping it lightly so as to remove particles adhering to the insides which might hamper collection.

► Fig.9: 1. Fastener

### Connecting the vacuum cleaner

When you wish to perform clean cutting operation, connect a Makita vacuum cleaner to your tool.

► Fig.10: 1. Hose of the vacuum cleaner 2. Dust spout

## OPERATION

**⚠ CAUTION: THIS TOOL SHOULD ONLY BE USED ON HORIZONTAL SURFACES.**

**⚠ CAUTION: Be sure to move the tool forward in a straight line and gently.** Forcing and exerting excessive pressure or allowing the wheel to bend, pinch or twist in the cut can cause overheating of the motor and dangerous kickback of the tool.

Hold the tool firmly. Set the base plate on the workpiece to be cut without the diamond wheel making any contact. Then turn the tool on and wait until the diamond wheel attains full speed. Now simply move the tool forward over the workpiece surface, keeping it flat and advancing smoothly until the cutting is completed. Keep your cutting line straight and your speed of advance uniform.

► Fig.11

## MAINTENANCE

**⚠ CAUTION: Always be sure that the tool is switched off and unplugged before attempting to perform inspection or maintenance.**

**NOTICE: Never use gasoline, benzine, thinner, alcohol or the like. Discoloration, deformation or cracks may result.**

### Dressing diamond wheel

If the cutting action of the diamond wheel begins to diminish, use an old discarded coarse grit bench grinder wheel or concrete block to dress the diamond wheel. To do this, tightly secure the bench grinder wheel or concrete block and cut in it.

### After use

Clean the dust inside of the tool by running the tool at an idle for a while. Brush off accumulation of dust on the base. Accumulation of dust in the motor or on the base may cause a malfunction of the tool.

## Replacing carbon brushes

Check the carbon brushes regularly. Replace them when they wear down to the limit mark. Keep the carbon brushes clean and free to slip in the holders. Both carbon brushes should be replaced at the same time. Use only identical carbon brushes.

► **Fig.12:** 1. Limit mark

Use a screwdriver to remove the brush holder caps. Take out the worn carbon brushes, insert the new ones and secure the brush holder caps.

► **Fig.13:** 1. Screwdriver 2. Brush holder cap

To maintain product SAFETY and RELIABILITY, repairs, any other maintenance or adjustment should be performed by Makita Authorized or Factory Service Centers, always using Makita replacement parts.

## OPTIONAL ACCESSORIES

**⚠ CAUTION:** These accessories or attachments are recommended for use with your Makita tool specified in this manual. The use of any other accessories or attachments might present a risk of injury to persons. Only use accessory or attachment for its stated purpose.

If you need any assistance for more details regarding these accessories, ask your local Makita Service Center.

- Diamond wheels (Dry type)
- Wrench 22
- Hex wrench
- Guide rail
- Guide rail adapter
- Safety goggles

**NOTE:** Some items in the list may be included in the tool package as standard accessories. They may differ from country to country.

## SPÉCIFICATIONS

Modèle :	4100KB
Diamètre du disque	125 mm
Épaisseur max. du disque	2,2 mm
Capacités de coupe max.	40 mm
Vitesse nominale (n)	12 200 min <sup>-1</sup>
Longueur totale	231 mm
Poids net	3,0 kg
Catégorie de sécurité	▣/II

- Étant donné l'évolution constante de notre programme de recherche et de développement, les spécifications contenues dans ce manuel sont sujettes à modification sans préavis.
- Les spécifications peuvent varier suivant les pays.
- Poids selon la procédure EPTA 01/2014

### Utilisations

L'outil est conçu pour couper dans la brique et le béton sans utiliser d'eau.

### Alimentation

L'outil ne devra être raccordé qu'à une alimentation de la même tension que celle qui figure sur la plaque signalétique, et il ne pourra fonctionner que sur un courant secteur monophasé. Réalisé avec une double isolation, il peut de ce fait être alimenté par une prise sans mise à la terre.

### Pour les systèmes de distribution publics à basse tension, entre 220 V et 250 V

La mise sous tension et hors tension des appareils électriques entraîne des fluctuations de tension. L'utilisation de cet appareil dans des conditions d'alimentation électrique inadéquates peut avoir des effets néfastes sur le fonctionnement des autres équipements. Il ne devrait toutefois pas y avoir d'effets négatifs si l'impédance de l'alimentation est égale ou inférieure à 0,37 ohm. La prise de courant utilisée pour cet appareil doit être protégée par un fusible ou un disjoncteur de protection à déclenchement lent.

### Bruit

Niveau de bruit pondéré A typique, déterminé selon EN60745 :  
 Niveau de pression sonore ( $L_{pA}$ ) : 96 dB (A)  
 Niveau de puissance sonore ( $L_{WA}$ ) : 107 dB (A)  
 Incertitude (K) : 3 dB (A)

**AVERTISSEMENT** : Portez un serre-tête antibruit.

### Vibrations

Valeur totale de vibrations (somme de vecteur triaxial) déterminée selon EN60745 :  
 Mode de travail : sciage de béton  
 Émission de vibrations ( $a_h$ ) : 6,0 m/s<sup>2</sup>  
 Incertitude (K) : 1,5 m/s<sup>2</sup>

**NOTE** : La valeur d'émission de vibrations déclarée a été mesurée conformément à la méthode de test standard et peut être utilisée pour comparer les outils entre eux.

**NOTE** : La valeur d'émission de vibrations déclarée peut aussi être utilisée pour l'évaluation préliminaire de l'exposition.

**AVERTISSEMENT** : L'émission de vibrations lors de l'usage réel de l'outil électrique peut être différente de la valeur d'émission déclarée, suivant la façon dont l'outil est utilisé.

**AVERTISSEMENT** : Les mesures de sécurité à prendre pour protéger l'utilisateur doivent être basées sur une estimation de l'exposition dans des conditions réelles d'utilisation (en tenant compte de toutes les composantes du cycle d'utilisation, comme par exemple le moment de sa mise hors tension, lorsqu'il tourne à vide et le moment de son déclenchement).

### Déclaration de conformité CE

#### Pour les pays européens uniquement

La déclaration de conformité CE est fournie en Annexe A à ce mode d'emploi.

# CONSIGNES DE SÉCURITÉ

## Consignes de sécurité générales pour outils électriques

**⚠ AVERTISSEMENT :** Veuillez lire les consignes de sécurité, instructions, illustrations et spécifications qui accompagnent cet outil électrique. Le non-respect de toutes les instructions indiquées ci-dessous peut entraîner une électrocution, un incendie et/ou de graves blessures.

## Conservez toutes les mises en garde et instructions pour référence ultérieure.

Le terme « outil électrique » dans les avertissements fait référence à l'outil électrique alimenté par le secteur (avec cordon d'alimentation) ou à l'outil électrique fonctionnant sur batterie (sans cordon d'alimentation).

## Consignes de sécurité pour scie diamant

- 1. Le carter de protection fourni avec l'outil doit être fermement fixé à l'outil électrique dans une position assurant une sécurité maximale, de façon à minimiser la surface du disque exposée en direction de l'utilisateur. Assurez-vous que personne, y compris vous-même, ne se trouve sur le même plan que le disque en rotation.** Le carter de protection contribue à protéger l'utilisateur des fragments de disque cassés et d'un contact accidentel avec le disque.
  - 2. Utilisez uniquement des disques à tronçonner diamantés conçus pour votre outil électrique.** Le simple fait qu'un accessoire puisse être fixé à l'outil électrique ne garantit pas qu'il fonctionnera de manière sûre.
  - 3. La vitesse nominale de l'accessoire doit être au moins égale à la vitesse maximum inscrite sur l'outil électrique.** Les accessoires tournant plus vite que leur vitesse nominale peuvent se casser et voler en éclats.
  - 4. Les disques ne doivent être utilisés que pour les applications recommandées. Par exemple : ne procédez pas au meulage avec le côté du disque à tronçonner.** Les disques à tronçonner abrasifs sont conçus pour un meulage périphérique. Exercer une force latérale sur ces disques peut les briser.
  - 5. Utilisez toujours des flasques pour disque en bon état, au diamètre convenant au disque sélectionné.** Des flasques pour disque adéquates soutiennent le disque, diminuant ainsi la possibilité d'une rupture du disque.
  - 6. Le diamètre extérieur et l'épaisseur de l'accessoire ne doivent pas dépasser la capacité nominale de l'outil électrique.** Les accessoires de taille incorrecte ne peuvent être protégés ou contrôlés adéquatement.
- 7. L'orifice central des disques et des flasques doit s'insérer parfaitement sur la broche de l'outil électrique.** Des disques et des flasques dont l'orifice central ne correspond pas au matériel de fixation de l'outil électrique se déséquilibreront, vibreront excessivement et risqueront d'entraîner une perte de maîtrise de l'outil.
  - 8. N'utilisez pas de disques endommagés.** Avant chaque utilisation, vérifiez que les disques ne sont pas fissurés ou écaillés. Si vous faites tomber l'outil électrique ou le disque, vérifiez qu'ils ne sont pas abîmés ou bien remplacez le disque endommagé. Après avoir vérifié et posé le disque, assurez-vous que personne, y compris vous-même, ne se trouve sur le même plan que le disque en rotation, et faites tourner l'outil électrique à la vitesse à vide maximum pendant une minute. Les disques endommagés se brisent généralement au cours de cette période d'essai.
  - 9. Portez un équipement de protection individuelle.** Suivant le type de travail à effectuer, utilisez un écran facial, des lunettes à coques ou des lunettes de sécurité. Au besoin, portez également un masque antipoussières, des protections auditives, des gants et un tablier de travail pouvant résister aux petits éclats abrasifs et aux fragments de pièce. La protection oculaire doit pouvoir arrêter les débris volants produits par les diverses opérations du disque. Le masque antipoussières ou le masque filtrant doit pouvoir filtrer les particules produites par l'opération du disque. Une exposition prolongée à un bruit d'intensité élevée peut entraîner une perte auditive.
  - 10. Ne laissez pas les personnes présentes approcher de la zone de travail. Toute personne pénétrant dans la zone de travail doit porter un équipement de protection individuelle.** Des fragments provenant de la pièce de travail ou d'un disque cassé peuvent voler en éclats et blesser les personnes se trouvant au-delà de la zone immédiate de travail.
  - 11. Tenez l'outil électrique par une surface de prise isolée uniquement, lorsque vous effectuez une tâche où l'accessoire de découpe pourrait toucher un câblage caché ou son propre cordon d'alimentation.** Le contact de l'accessoire de découpe avec un fil sous tension peut transmettre du courant dans les pièces métalliques exposées de l'outil électrique et électrocuter l'utilisateur.
  - 12. Placez le cordon à l'écart de l'accessoire en rotation.** Si vous perdez le contrôle, le cordon risque d'être coupé ou tiré, et votre main ou votre bras peuvent être happés par le disque en rotation.
  - 13. Assurez-vous que l'accessoire est complètement arrêté avant de poser l'outil électrique.** Le disque en rotation risque de s'accrocher à la surface et vous faire perdre le contrôle de l'outil électrique.
  - 14. Ne transportez pas l'outil électrique tout en le laissant tourner.** En cas de contact accidentel avec l'accessoire en rotation, ce dernier risque d'accrocher vos vêtements et d'être entraîné vers votre corps.



15. **Nettoyez régulièrement les orifices de ventilation de l'outil électrique.** Le ventilateur du moteur aspire les poussières à l'intérieur du carter, ce qui présente un danger électrique en cas d'accumulation excessive de poussières métalliques.
16. **N'utilisez pas l'outil électrique près de matériaux inflammables.** Les étincelles risqueraient d'enflammer ces matériaux.
17. **N'utilisez pas d'accessoires nécessitant un liquide de refroidissement.** L'utilisation d'eau ou de tout autre liquide de refroidissement peut entraîner l'électrocution ou un choc électrique.

#### Chocs en retour et mises en garde concernant ces derniers

Le choc en retour est une réaction soudaine du disque en rotation lorsqu'il se coince ou accroche. Lorsque le disque en rotation se coince ou accroche, il s'arrête soudainement et l'utilisateur perd alors la maîtrise de l'outil électrique projeté dans le sens contraire de sa rotation au point où il se coince dans la pièce.

Par exemple, si un disque abrasif accroche ou se coince dans la pièce, son tranchant introduit au point de pincement risque d'y creuser la surface du matériau, entraînant la sortie ou le déchaussement du disque. Le disque peut alors dévier de sa trajectoire, vers l'utilisateur ou dans le sens opposé, selon la direction du mouvement du disque au point de pincement. Dans de telles situations, le disque abrasif risque également de se briser. Le choc en retour est le résultat d'une utilisation incorrecte de l'outil électrique et/ou de l'inobservation des procédures ou conditions d'utilisation. Il peut être évité en prenant les précautions adéquates indiquées ci-dessous.

1. **Maintenez une poigne ferme sur l'outil électrique et placez corps et bras de façon à pouvoir résister à la force exercée par les chocs en retour.** Utilisez toujours la poignée auxiliaire, s'il y en a une, pour avoir une maîtrise maximale de l'outil en cas de choc en retour ou de force de réaction exercée au moment du démarrage. L'utilisateur peut maîtriser les forces de réaction et de choc en retour s'il prend les précautions adéquates.
2. **Ne placez jamais la main près de l'accessoire en rotation.** L'accessoire risquerait de passer sur votre main en cas de choc en retour.
3. **Ne vous placez pas dans l'axe du disque en rotation.** Le choc en retour projettera l'outil dans le sens opposé au mouvement du disque au point où il accroche dans la pièce.
4. **Soyez tout particulièrement prudent lorsque vous travaillez sur les coins, les arêtes vives, etc. Évitez de laisser l'accessoire sautiller ou accrocher.** L'accessoire en rotation a tendance à accrocher dans les coins, sur les arêtes vives et lorsqu'il sautille, ce qui comporte un risque de perte de maîtrise ou de choc en retour.
5. **Ne fixez pas une chaîne de tronçonneuse, une lame à sculpter le bois, un disque diamanté à segments avec un espace périphérique supérieur à 10 mm ou une lame de scie dentée.** Ces lames causent fréquemment des chocs en retour et la perte de maîtrise de l'outil.
6. **Évitez de coincer le disque ou d'appliquer une pression excessive. N'essayez pas de couper trop profondément.** Un disque trop sollicité subira une surcharge et risquera de se tordre ou de se coincer dans la ligne de coupe, ce qui comporte un risque de choc en retour ou de bris du disque.

7. **Lorsque le disque se coince ou lorsque vous interrompez la coupe pour une raison quelconque, éteignez l'outil électrique et maintenez-le immobile jusqu'à ce que le disque ait complètement cessé de tourner. N'essayez jamais de retirer le disque de la ligne de coupe alors qu'il bouge encore, sous peine de provoquer un choc en retour.** Inspectez le disque et apportez les corrections nécessaires pour éliminer la cause du coincement du disque.
8. **Ne reprenez pas l'opération de coupe dans la pièce. Laissez le disque atteindre sa pleine vitesse, puis réintroduisez-le doucement dans la ligne de coupe.** Si vous reprenez la coupe avec le disque déjà dans la pièce, il risquera de se coincer, de remonter sur la pièce ou de provoquer un choc en retour.
9. **Soutenez les panneaux ou les pièces de grande taille pour réduire les risques de coincement du disque et de choc en retour.** Les pièces de grande taille ont tendance à ployer sous leur propre poids. Il est nécessaire de placer en dessous des cales à proximité de la ligne de coupe et près du rebord de la pièce de chaque côté du disque.
10. **Redoublez de précaution lorsque vous faites une « coupe en plongée » dans un mur ou toute autre surface pouvant cacher des structures.** Le disque, en dépassant derrière le mur ou la surface, peut couper des conduites de gaz ou d'eau, des fils électriques ou des objets pouvant causer un choc en retour.
11. **Avant d'utiliser un disque diamanté à segments, assurez-vous que l'espace périphérique entre les segments est au maximum de 10 mm, et que l'angle de pente est négatif.**

#### Consignes de sécurité supplémentaires :

1. **N'essayez jamais de couper en plaçant l'outil à l'envers dans un étau.** Ceci est extrêmement dangereux et peut entraîner des accidents graves.
2. **Certains matériaux contiennent des produits chimiques qui peuvent être toxiques. Prenez les précautions nécessaires pour éviter que la poussière dégagée lors du travail ne soit inhalée et n'entre en contact avec la peau. Suivez les données de sécurité du fournisseur du matériau.**
3. **Entreposez les disques conformément aux recommandations du fabricant.** Un entreposage incorrect risque d'endommager les disques.

## CONSERVEZ CES INSTRUCTIONS.

**⚠ AVERTISSEMENT : NE vous laissez PAS tromper (au fil d'une utilisation répétée) par un sentiment d'aisance et de familiarité avec le produit, en négligeant le respect rigoureux des consignes de sécurité qui accompagnent le produit en question. La MAUVAISE UTILISATION de l'outil ou l'ignorance des consignes de sécurité indiquées dans ce mode d'emploi peut entraîner de graves blessures.**

## DESCRIPTION DU FONCTIONNEMENT

**⚠ ATTENTION** : Assurez-vous toujours que l'outil est hors tension et débranché avant de l'ajuster ou de vérifier son fonctionnement.

### Réglage de la profondeur de coupe

**⚠ ATTENTION** : Après avoir réglé la profondeur de coupe, serrez toujours solidement le levier.

Desserrez le levier sur le guide de profondeur et déplacez la base en haut ou en bas. À la profondeur de coupe souhaitée, fixez la base en serrant le levier. Pour obtenir des coupes plus propres et plus sûres, réglez la profondeur de coupe de sorte que le disque diamanté dépasse de 2 mm ou moins sous la pièce. L'utilisation d'une profondeur de coupe adéquate aide à réduire les risques de dangereux CHOCS EN RETOUR et de blessures.

► Fig.1: 1. Levier

### Visée

Alignez le bord de l'avant de la base avec le trait de coupe sur la pièce.

► Fig.2

### Fonctionnement de la gâchette

**⚠ ATTENTION** : Avant de brancher l'outil, assurez-vous toujours que la gâchette fonctionne correctement et revient en position d'arrêt une fois relâchée.

► Fig.3: 1. Gâchette 2. Bouton de verrouillage/Bouton de sécurité

### Pour les outils pourvus d'un bouton de verrouillage

**⚠ ATTENTION** : Vous pouvez verrouiller l'interrupteur sur la position « Marche » pour plus de confort en cas d'utilisation prolongée. Soyez prudent lorsque vous verrouillez l'outil sur la position « Marche », et gardez une prise ferme sur l'outil.

Il suffit d'enclencher la gâchette pour démarrer l'outil. Pour arrêter l'outil, relâchez la gâchette. Pour un fonctionnement continu, enclenchez la gâchette et poussez le bouton de verrouillage, puis relâchez la gâchette. Pour arrêter l'outil en position verrouillée, enclenchez à fond la gâchette puis relâchez-la.

### Pour les outils pourvus d'un bouton de sécurité

Un bouton de sécurité a été prévu pour éviter l'activation accidentelle de la gâchette. Pour démarrer l'outil, enfoncez le bouton de sécurité puis enclenchez la gâchette. Pour arrêter l'outil, relâchez la gâchette.

**⚠ AVERTISSEMENT** : N'utilisez JAMAIS l'outil s'il se met en marche lorsque vous enclenchez simplement la gâchette sans avoir enfoncé le bouton de sécurité. Une gâchette non réparée comporte un risque d'activation accidentelle pouvant entraîner de graves blessures. Confiez l'outil à un centre d'entretien Makita pour le faire réparer AVANT de poursuivre l'utilisation.

**⚠ AVERTISSEMENT** : NE bloquez JAMAIS le bouton de sécurité avec du ruban ou de toute autre manière. Une gâchette dont le bouton de sécurité est bloqué comporte un risque d'activation accidentelle pouvant entraîner de graves blessures.

**⚠ ATTENTION** : Évitez d'enclencher la gâchette avec force lorsque le bouton de sécurité n'est pas enfoncé. Vous risqueriez de briser la gâchette.

## ASSEMBLAGE

**⚠ ATTENTION** : Avant d'effectuer toute intervention sur l'outil, assurez-vous toujours qu'il est hors tension et débranché.

### Rangement de la clé hexagonale

Lorsque vous n'utilisez pas la clé hexagonale, rangez-la tel qu'indiqué sur l'illustration pour éviter de la perdre.

► Fig.4: 1. Clé hexagonale

### Dépose ou pose du disque diamanté

**⚠ ATTENTION** : ASSUREZ-VOUS D'AVOIR FERMEMENT SERRÉ LE BOULON HEXAGONAL. Prenez également soin de ne pas trop serrer le boulon. Vous risquez de vous blesser si votre main s'échappe de la clé hexagonale.

**⚠ ATTENTION** : Utilisez exclusivement la clé et la clé hexagonale Makita pour poser ou déposer le disque.

Tenez le flasque extérieur avec la clé et desserrez le boulon hexagonal avec la clé hexagonale. Retirez ensuite le boulon hexagonal, le flasque extérieur et le disque diamanté.

► Fig.5: 1. Clé hexagonale 2. Boulon hexagonal 3. Clé 22 4. Desserrer 5. Serrer

Pour poser le disque diamanté, suivez la procédure de retrait en sens inverse. Posez toujours le disque de sorte que la flèche sur le disque diamanté soit dirigée dans le même sens que la flèche sur le carter d'engrenage.

► Fig.6: 1. Boulon hexagonal 2. Flasque extérieure 3. Disque diamanté 4. Flasque intérieure 5. Rondelle à collerette



## Sac à poussière

L'utilisation du sac à poussière garantit une coupe propre et facilite la collecte de la poussière. Pour attacher le sac à poussière, fixez-le au bec à poussière.

► Fig.7: 1. Sac à poussière 2. Bec à poussière

Le cou du bec à poussière tourne librement. Placez le sac à poussière de manière à pouvoir utiliser confortablement l'outil.

► Fig.8

Lorsque le sac à poussière est environ un tiers plein, retirez-le de l'outil et tirez sur la barrette. Videz le sac à poussière en le tapotant légèrement pour retirer les particules qui adhèrent à sa surface intérieure et risqueraient de faire obstacle à la collecte de la poussière.

► Fig.9: 1. Barrette

## Raccordement à l'aspirateur

Pour effectuer une opération de coupe propre, raccordez un aspirateur Makita à l'outil.

► Fig.10: 1. Tuyau de l'aspirateur 2. Bec à poussière

## UTILISATION

**⚠ ATTENTION : CET OUTIL DOIT ÊTRE UTILISÉ EXCLUSIVEMENT SUR DES SURFACES HORIZONTALES.**

**⚠ ATTENTION : Vous devez faire avancer l'outil bien droit et tout doucement.** En forçant l'outil, en lui appliquant une pression excessive ou en laissant le disque plier, se coincer ou se tordre dans la pièce, vous risquez de surchauffer le moteur ou de provoquer un dangereux choc en retour de l'outil.

Tenez l'outil fermement. Posez la plaque de base sur la pièce à découper sans que le disque diamanté entre en contact avec quoi que ce soit. Mettez ensuite l'outil sous tension et attendez que le disque diamanté atteigne sa pleine vitesse. À présent, déplacez simplement l'outil vers l'avant sur la surface de la pièce, en le maintenant à plat et en le faisant avancer doucement jusqu'à ce que la coupe soit terminée. Maintenez un trait de coupe bien droit et une vitesse de progression constante.

► Fig.11

## ENTRETIEN

**⚠ ATTENTION : Assurez-vous toujours que l'outil est hors tension et débranché avant d'y effectuer tout travail d'inspection ou d'entretien.**

**REMARQUE : N'utilisez jamais d'essence, benzène, diluant, alcool ou autre produit similaire. Cela risquerait de provoquer la décoloration, la déformation ou la fissuration de l'outil.**

## Affûtage du disque diamanté

Si la capacité de coupe du disque diamanté commence à diminuer, affûtez-le au moyen d'une vieille meule de touret à gros grains usée ou d'un bloc en béton. Pour ce faire, fixez solidement la meule de touret ou le bloc en béton et coupez dedans.

## Après l'utilisation

Retirez les poussières à l'intérieur de l'outil en faisant tourner l'outil au ralenti pendant un moment. Brossez les poussières accumulées sur la base de l'outil. L'accumulation de poussières dans le moteur ou sur la base peut provoquer un dysfonctionnement de l'outil.

## Remplacement d'un balai en carbone

Vérifiez régulièrement les balais en carbone. Remplacez-les lorsqu'ils sont usés jusqu'au repère d'usure. Maintenez les balais en carbone propres et en état de glisser aisément dans les porte-charbons. Les deux balais en carbone doivent être remplacés en même temps. N'utilisez que des balais en carbone identiques.

► Fig.12: 1. Repère d'usure

Utilisez un tournevis pour retirer les bouchons de porte-charbon. Retirez les balais en carbone usés, insérez les neufs et fixez les bouchons de porte-charbon.

► Fig.13: 1. Tournevis 2. Bouchon de porte-charbon

Pour assurer la SÉCURITÉ et la FIABILITÉ du produit, toute réparation, tout travail d'entretien ou de réglage doivent être effectués par un centre d'entretien Makita agréé, avec des pièces de rechange Makita.

## ACCESSOIRES EN OPTION

**⚠ ATTENTION : Ces accessoires ou pièces complémentaires sont recommandés pour l'utilisation avec l'outil Makita spécifié dans ce mode d'emploi.** L'utilisation de tout autre accessoire ou pièce complémentaire peut comporter un risque de blessure. N'utilisez les accessoires ou pièces complémentaires qu'aux fins auxquelles ils ont été conçus.

Pour obtenir plus de détails sur ces accessoires, contactez votre centre d'entretien local Makita.

- Disques diamantés (type sec)
- Clé 22
- Clé hexagonale
- Rail de guidage
- Adaptateur pour rail de guidage
- Lunettes à coques

**NOTE :** Il se peut que certains éléments de la liste soient compris dans l'emballage de l'outil en tant qu'accessoires standard. Ils peuvent varier d'un pays à l'autre.

## TECHNISCHE DATEN

Modell:	4100KB
Scheibendurchmesser	125 mm
Max. Scheibendicke	2,2 mm
Max. Schnittleistung	40 mm
Nennndrehzahl (n)	12.200 min <sup>-1</sup>
Gesamtlänge	231 mm
Nettogewicht	3,0 kg
Sicherheitsklasse	□/II

- Wir behalten uns vor, Änderungen der technischen Daten im Zuge der Entwicklung und des technischen Fortschritts ohne vorherige Ankündigung vorzunehmen.
- Die technischen Daten können von Land zu Land unterschiedlich sein.
- Gewicht nach EPTA-Verfahren 01/2014

### Vorgesehene Verwendung

Das Werkzeug ist zum Schneiden von Ziegeln und Beton ohne Wasser vorgesehen.

### Stromversorgung

Das Werkzeug sollte nur an eine Stromquelle angeschlossen werden, deren Spannung mit der Angabe auf dem Typenschild übereinstimmt, und kann nur mit Einphasen-Wechselstrom betrieben werden. Diese sind doppelt schutzisoliert und können daher auch an Steckdosen ohne Erdleiter verwendet werden.

### Für öffentliche Niederspannungs-Verteilungssysteme mit einer Spannung zwischen 220 V und 250 V

Schaltvorgänge von Elektrogeräten verursachen Spannungsschwankungen. Der Betrieb dieses Gerätes unter ungünstigen Netzstrombedingungen kann sich nachteilig auf den Betrieb anderer Geräte auswirken. Bei einer Netzstromimpedanz von 0,37 Ohm oder weniger ist anzunehmen, dass keine negativen Effekte auftreten. Die für dieses Gerät verwendete Netzsteckdose muss durch eine Sicherung oder einen Schutzschalter mit trägen Auslösungseigenschaften geschützt sein.

### Geräusch

Typischer A-bewerteter Geräuschpegel ermittelt gemäß EN60745:  
Schalldruckpegel (L<sub>pA</sub>): 96 dB (A)  
Schallleistungspegel (L<sub>WA</sub>): 107 dB (A)  
Messunsicherheit (K): 3 dB (A)

**⚠️ WARNUNG:** Einen Gehörschutz tragen.

### Schwingungen

Schwingungsgesamtwert (Drei-Achsen-Vektorsumme) ermittelt gemäß EN60745:  
Arbeitsmodus: Betonschneiden  
Schwingungsemission (a<sub>w</sub>): 6,0 m/s<sup>2</sup>  
Messunsicherheit (K): 1,5 m/s<sup>2</sup>

**HINWEIS:** Der angegebene Schwingungsemissionswert wurde im Einklang mit der Standardprüfmethode gemessen und kann für den Vergleich zwischen Werkzeugen herangezogen werden.

**HINWEIS:** Der angegebene Schwingungsemissionswert kann auch für eine Vorbewertung des Gefährdungsgrads verwendet werden.

**⚠️ WARNUNG:** Die Schwingungsemission während der tatsächlichen Benutzung des Werkzeugs kann je nach der Benutzungsweise des Werkzeugs vom angegebenen Emissionswert abweichen.

**⚠️ WARNUNG:** Identifizieren Sie Sicherheitsmaßnahmen zum Schutz des Benutzers anhand einer Schätzung des Gefährdungsgrads unter den tatsächlichen Benutzungsbedingungen (unter Berücksichtigung aller Phasen des Arbeitszyklus, wie z. B. Ausschalt- und Leerlaufzeiten des Werkzeugs zusätzlich zur Betriebszeit).

### EG-Konformitätserklärung

#### Nur für europäische Länder

Die EG-Konformitätserklärung ist als Anhang A in dieser Bedienungsanleitung enthalten.

## SICHERHEITSWARNUNGEN

### Allgemeine Sicherheitswarnungen für Elektrowerkzeuge

**⚠️ WARNUNG:** Lesen Sie alle mit diesem Elektrowerkzeug gelieferten Sicherheitswarnungen, Anweisungen, Abbildungen und technischen Daten durch. Eine Missachtung der unten aufgeführten Anweisungen kann zu einem elektrischen Schlag, Brand und/oder schweren Verletzungen führen.

# Bewahren Sie alle Warnungen und Anweisungen für spätere Bezugnahme auf.

Der Ausdruck „Elektrowerkzeug“ in den Warnhinweisen bezieht sich auf Ihr mit Netzstrom (mit Kabel) oder Akku (ohne Kabel) betriebenes Elektrowerkzeug.

## Sicherheitswarnungen für Schneider

- 1. Die mit dem Werkzeug gelieferte Schutzhaube muss sicher am Elektrowerkzeug befestigt und für maximale Sicherheit positioniert werden, um das Gefahrenpotenzial der Trennscheibe für die Bedienungsperson minimal zu halten. Achten Sie darauf, dass Sie selbst und Umstehende nicht in der Ebene der rotierenden Trennscheibe stehen.** Die Schutzhaube schützt den Bediener vor Trennscheiben-Bruchstücken und versehentlichem Kontakt mit der Trennscheibe.
- 2. Verwenden Sie nur Diamant-Trennscheiben für Ihr Elektrowerkzeug.** Die bloße Tatsache, dass ein Zubehörteil an Ihrem Elektrowerkzeug angebracht werden kann, gewährleistet noch keinen sicheren Betrieb.
- 3. Die Nenndrehzahl des Zubehörteils muss mindestens der am Elektrowerkzeug angegebenen Maximaldrehzahl entsprechen.** Zubehörteile, die schneller als ihre Nenndrehzahl rotieren, können bersten und auseinander fliegen.
- 4. Scheiben dürfen nur für empfohlene Anwendungen eingesetzt werden. Zum Beispiel: Nicht mit der Seite einer Trennscheibe schleifen.** Da Trennschleifscheiben für Peripherieschleifen vorgesehen sind, können sie durch seitlich einwirkende Kräfte zerschmettert werden.
- 5. Verwenden Sie stets unbeschädigte Scheibenflansche des korrekten Durchmessers für die ausgewählte Trennscheibe.** Korrekte Scheibenflansche stützen die Trennscheibe und reduzieren somit die Möglichkeit eines Scheibenbruchs.
- 6. Außendurchmesser und Dicke des Zubehörteils müssen innerhalb der Kapazitätsgrenzen Ihres Elektrowerkzeugs liegen.** Zubehörteile der falschen Größe können nicht angemessen geschützt oder kontrolliert werden.
- 7. Die Spindelbohrung von Trennscheiben und Flanschen muss genau der Spindel des Elektrowerkzeugs angepasst sein.** Trennscheiben und Flansche, deren Spindelbohrung nicht genau auf den Montageflansch des Elektrowerkzeugs passt, laufen unrund, vibrieren übermäßig und können einen Verlust der Kontrolle verursachen.
- 8. Verwenden Sie keine beschädigten Trennscheiben. Überprüfen Sie die Trennscheiben vor jeder Benutzung auf Absplittierungen und Risse. Falls das Elektrowerkzeug oder die Trennscheibe herunterfällt, überprüfen Sie das Teil auf Beschädigung, oder montieren Sie eine unbeschädigte Trennscheibe. Achten Sie nach der Überprüfung und Installation der Trennscheibe darauf, dass Sie selbst und Umstehende nicht in der Rotationsebene der Trennscheibe stehen, und lassen Sie das Elektrowerkzeug eine Minute lang mit maximaler Leerlaufdrehzahl laufen.** Beschädigte Trennscheiben brechen normalerweise während dieses Probelaufs auseinander.
- 9. Tragen Sie persönliche Schutzausrüstung. Benutzen Sie je nach der Arbeit einen Gesichtsschutz bzw. eine Sicherheits- oder Schutzbrille. Tragen Sie bei Bedarf eine Staubmaske, Ohrenschützer, Handschuhe und eine Arbeitsschürze, die in der Lage ist, kleine Schleifpartikel oder Werkstücksplitter abzuwehren.** Der Augenschutz muss in der Lage sein, den bei verschiedenen Arbeiten anfallenden Flugstaub abzuwehren. Die Staubmaske oder Atemschutzmaske muss in der Lage sein, durch die Arbeit erzeugte Partikel herauszufiltern. Lang anhaltende Lärmbelastung kann zu Gehörschäden führen.
- 10. Halten Sie Umstehende in sicherem Abstand vom Arbeitsbereich. Jeder, der den Arbeitsbereich betritt, muss persönliche Schutzausrüstung tragen.** Bruchstücke des Werkstücks oder einer beschädigten Trennscheibe können weggeschleudert werden und Verletzungen über den unmittelbaren Arbeitsbereich hinaus verursachen.
- 11. Halten Sie das Elektrowerkzeug nur an den isolierten Griffflächen, wenn Sie Arbeiten ausführen, bei denen die Gefahr besteht, dass das Schneidzubehör verborgene Kabel oder das eigene Kabel kontaktiert.** Wenn das Schneidzubehör ein Strom führendes Kabel kontaktiert, können die freiliegenden Metallteile des Elektrowerkzeugs ebenfalls Strom führend werden, so dass der Benutzer einen elektrischen Schlag erleiden kann.
- 12. Halten Sie das Kabel vom rotierenden Zubehörteil fern.** Falls Sie die Kontrolle verlieren, kann das Kabel durchgetrennt oder erfasst werden, so dass Ihre Hand oder Ihr Arm in die rotierende Trennscheibe hineingezogen wird.
- 13. Legen Sie das Elektrowerkzeug erst ab, nachdem das Zubehörteil zum vollständigen Stillstand gekommen ist.** Anderenfalls kann die rotierende Trennscheibe die Oberfläche erfassen und das Elektrowerkzeug aus Ihren Händen reißen.
- 14. Lassen Sie das Elektrowerkzeug nicht laufen, während Sie es an Ihrer Seite tragen.** Das rotierende Zubehörteil könnte sonst bei versehentlichem Kontakt Ihre Kleidung erfassen und auf Ihren Körper zu gezogen werden.
- 15. Reinigen Sie die Ventilationsöffnungen des Elektrowerkzeugs regelmäßig.** Der Lüfter des Motors saugt Staub in das Gehäuse an, und starke Ablagerungen von Metallstaub können elektrische Gefahren verursachen.
- 16. Betreiben Sie das Elektrowerkzeug nicht in der Nähe von brennbaren Materialien.** Funken könnten diese Materialien entzünden.

17. **Verwenden Sie keine Zubehörteile, die Kühlfüssigkeiten erfordern.** Die Verwendung von Wasser oder anderen Kühlfüssigkeiten kann zu einem Stromschlag führen.

#### **Warnungen vor Rückschlag und damit zusammenhängenden Gefahren**

Rückschlag ist eine plötzliche Reaktion auf eine eingeklemmte oder stockende Trennscheibe. Klemmen oder Hängenbleiben verursacht sofortiges Stocken der rotierenden Trennscheibe, was wiederum dazu führt, dass das außer Kontrolle geratene Elektrowerkzeug am Stockpunkt in die entgegengesetzte Drehrichtung der Trennscheibe geschleudert wird.

Wenn beispielsweise eine Schleifscheibe vom Werkstück erfasst oder eingeklemmt wird, kann sich die in den Klemmpunkt eindringende Schleifscheibenkante in die Materialoberfläche bohren, so dass sie herauspringt oder zurückschlägt. Je nach der Drehrichtung der Schleifscheibe am Klemmpunkt kann die Schleifscheibe auf die Bedienungsperson zu oder von ihr weg springen. Schleifscheiben können unter solchen Bedingungen auch brechen.

Rückschlag ist das Resultat falscher Handhabung des Elektrowerkzeugs und/oder falscher Arbeitsverfahren oder -bedingungen und kann durch Anwendung der nachstehenden Vorsichtsmaßnahmen vermieden werden.

1. **Halten Sie das Elektrowerkzeug mit festem Griff, und positionieren Sie Ihren Körper und Arm so, dass Sie die Rückschlagkräfte auffangen können. Benutzen Sie stets den Zusatzgriff, wenn vorhanden, um maximale Kontrolle über Rückschlag oder Drehbewegungen während des Anlaufs zu haben.** Drehbewegungen oder Rückschlagkräfte können kontrolliert werden, wenn entsprechende Vorkehrungen getroffen werden.
2. **Legen Sie Ihre Hand niemals in die Nähe des rotierenden Zubehörs. Bei einem Rückschlag könnte das Zubehörteil Ihre Hand verletzen.**
3. **Stellen Sie sich nicht so, dass sich Ihr Körper in einer Linie mit der rotierenden Trennscheibe befindet.** Der Rückschlag schleudert das Werkzeug am Stockpunkt in die entgegengesetzte Drehrichtung der Trennscheibe.
4. **Lassen Sie beim Bearbeiten von Ecken und scharfen Kanten usw. besondere Vorsicht walten. Vermeiden Sie Anstoßen und Verhaken des Zubehörs.** Ecken, scharfe Kanten oder Anstoßen führen leicht zu Hängenbleiben des rotierenden Zubehörs und verursachen Verlust der Kontrolle oder Rückschlag.
5. **Bringen Sie keine Sägeketten, Holzfräsen, Segment-Diamantscheiben mit einem Randspalt von mehr als 10 mm oder gezahnte Sägeblätter an.** Solche Blätter verursachen häufige Rückschläge und Verlust der Kontrolle.
6. **Vermeiden Sie „Verkanten“ der Trennscheibe oder die Ausübung übermäßigen Drucks. Versuchen Sie nicht, übermäßig tiefe Schnitte zu machen.** Überbeanspruchung der Trennscheibe erhöht die Belastung und die Empfänglichkeit für Verdrehen oder Klemmen der Trennscheibe im Schnitt sowie die Möglichkeit von Rückschlag oder Scheibenbruch.

7. **Falls die Trennscheibe klemmt oder der Schnitt aus irgendeinem Grund unterbrochen wird, schalten Sie das Elektrowerkzeug aus und halten Sie es bewegungslos im Werkstück, bis die Trennscheibe zum völligen Stillstand kommt. Versuchen Sie auf keinen Fall, die rotierende Trennscheibe aus dem Schnitt zu entfernen, weil sonst ein Rückschlag auftreten kann.** Nehmen Sie eine Überprüfung vor, und treffen Sie Abhilfemaßnahmen, um die Ursache von Trennscheiben-Klemmen zu beseitigen.
8. **Setzen Sie den Schnittbetrieb nicht mit im Werkstück fort. Führen Sie die Trennscheibe vorsichtig in den Schnitt ein, nachdem sie die volle Drehzahl erreicht hat.** Wird das Elektrowerkzeug mit im Werkstück sitzender Trennscheibe eingeschaltet, kann die Trennscheibe klemmen, hochsteigen oder zurückschlagen.
9. **Stützen Sie Platten oder andere übergroße Werkstücke ab, um die Gefahr von Klemmen oder Rückschlag der Trennscheibe zu minimieren.** Große Werkstücke neigen dazu, unter ihrem Eigengewicht durchzuhängen. Die Stützen müssen beidseitig der Trennscheibe nahe der Schnittlinie und in der Nähe der Werkstückkante unter das Werkstück platziert werden.
10. **Lassen Sie besondere Vorsicht walten, wenn Sie einen „Taschenschnitt“ in bestehende Wände oder andere Blindflächen durchführen.** Die vorstehende Trennscheibe kann Gas- oder Wasserleitungen, Stromkabel oder Objekte durchschneiden, die Rückschlag verursachen können.
11. **Bevor Sie eine Segment-Diamantscheibe verwenden, vergewissern Sie sich, dass die Diamantscheibe einen Randspalt zwischen den Segmenten von maximal 10 mm hat, und nur einen negativen Spanwinkel aufweist.**

#### **Zusätzliche Sicherheitswarnungen:**

1. **Versuchen Sie niemals, das Werkzeug zum Schneiden verkehrt herum in einen Schraubstock einzuspannen.** Dies ist sehr gefährlich und kann zu schweren Unfällen führen.
2. **Manche Materialien können giftige Chemikalien enthalten. Treffen Sie Vorsichtsmaßnahmen, um das Einatmen von Arbeitsstaub und Hautkontakt zu verhindern. Befolgen Sie die Sicherheitsdaten des Materiallieferanten.**
3. **Lagern Sie Trennscheiben gemäß den Herstellerempfehlungen.** Falsche Lagerung kann die Trennscheiben beschädigen.

## **DIESE ANWEISUNGEN AUFBEWAHREN.**

**⚠️ WARNUNG:** Lassen Sie sich NICHT durch Bequemlichkeit oder Vertrautheit mit dem Produkt (durch wiederholten Gebrauch erworben) von der strikten Einhaltung der Sicherheitsregeln für das vorliegende Produkt abhalten. MISSBRAUCH oder Missachtung der Sicherheitsvorschriften in dieser Anleitung können schwere Personenschäden verursachen.

## FUNKTIONSBESCHREIBUNG

**⚠ VORSICHT:** Vergewissern Sie sich vor jeder Einstellung oder Funktionsprüfung des Werkzeugs stets, dass es ausgeschaltet und vom Stromnetz getrennt ist.

### Einstellen der Schnitttiefe

**⚠ VORSICHT:** Ziehen Sie den Hebel nach der Einstellung der Schnitttiefe stets fest an.

Lösen Sie den Hebel an der Tiefenführung, und ziehen Sie die Grundplatte nach oben oder unten. Arretieren Sie die Grundplatte an der gewünschten Schnitttiefe durch Festziehen des Hebels.

Um sauberere, sicherere Schnitte auszuführen, stellen Sie die Schnitttiefe so ein, dass die Diamantscheibe nicht mehr als 2 mm unter das Werkstück übersteht. Die Einstellung der korrekten Schnitttiefe trägt zu einer Reduzierung gefährlicher RÜCKSCHLÄGE bei, die Personenschäden verursachen können.

► **Abb.1:** 1. Hebel

### Schnittmarkierung

Richten Sie die Vorderkante der Grundplatte auf Ihre Schnittlinie am Werkstück aus.

► **Abb.2**

### Schalterfunktion

**⚠ VORSICHT:** Vergewissern Sie sich vor dem Anschließen des Werkzeugs an das Stromnetz stets, dass der Ein-Aus-Schalter ordnungsgemäß funktioniert und beim Loslassen in die AUS-Stellung zurückkehrt.

► **Abb.3:** 1. Ein-Aus-Schalter 2. Arretierknopf/  
Einschaltsperrknopf

### Für Werkzeug mit Arretierknopf

**⚠ VORSICHT:** Der Schalter kann zur Arbeitserleichterung bei längerem Einsatz in der EIN-Stellung verriegelt werden. Lassen Sie Vorsicht walten, wenn Sie den Schalter in der EIN-Stellung verriegeln, und halten Sie das Werkzeug mit festem Griff.

Zum Einschalten des Werkzeugs einfach den Ein-Aus-Schalter drücken. Zum Ausschalten den Ein-Aus-Schalter loslassen. Für Dauerbetrieb den Ein-Aus-Schalter betätigen, den Arretierknopf hineindrücken, und dann den Ein-Aus-Schalter loslassen. Zum Ausrasten der Sperre den Ein-Aus-Schalter bis zum Anschlag hineindrücken und dann loslassen.

### Für Werkzeug mit Einschaltsperrknopf

Um versehentliche Betätigung des Ein-Aus-Schalters zu verhüten, ist das Werkzeug mit einem Einschaltsperrknopf ausgestattet. Betätigen Sie zum Starten des Werkzeugs den Ein-Aus-Schalter bei gedrücktem Einschaltsperrknopf. Zum Ausschalten den Ein-Aus-Schalter loslassen.

**⚠ WARNUNG:** Betreiben Sie das Werkzeug NIEMALS, wenn es durch einfache Betätigung des Ein-Aus-Schalters eingeschaltet werden kann, ohne den Einschaltsperrknopf zu drücken. Ein reparaturbedürftiger Schalter kann zu ungewolltem Betrieb und daraus resultierenden schweren Personenschäden führen. Lassen Sie das Werkzeug von einer Makita-Kundendienststelle ordnungsgemäß reparieren, BEVOR Sie es weiter benutzen.

**⚠ WARNUNG:** Versuchen Sie NIEMALS, den Einschaltsperrknopf mit Kleband oder anderen Mitteln unwirksam zu machen. Ein Schalter mit unwirksamem Einschaltsperrknopf kann zu ungewolltem Betrieb und daraus resultierenden schweren Personenschäden führen.

**⚠ VORSICHT:** Betätigen Sie den Ein-Aus-Schalter nicht gewaltsam, ohne den Einschaltsperrknopf hineinzudrücken. Dies kann zu Beschädigung des Schalters führen.

## MONTAGE

**⚠ VORSICHT:** Vergewissern Sie sich vor der Ausführung von Arbeiten am Werkzeug stets, dass es ausgeschaltet und vom Stromnetz getrennt ist.

### Aufbewahrung des Inbusschlüssels

Der Inbusschlüssel kann an der in der Abbildung gezeigten Stelle aufbewahrt werden, damit er nicht verloren geht.

► **Abb.4:** 1. Inbusschlüssel

### Montage und Demontage der Diamantscheibe

**⚠ VORSICHT:** ZIEHEN SIE DIE INNENSECHSKANTSCHRAUBE FEST AN. Achten Sie auch darauf, die Schraube nicht gewaltsam anzuziehen. Abrutschen Ihrer Hand vom Inbusschlüssel kann einen Personenschaden verursachen.

**⚠ VORSICHT:** Verwenden Sie nur den Makita-Schraubenschlüssel und den Inbusschlüssel zum Montieren und Demontieren von Trennscheiben.

Halten Sie den Außenflansch mit dem Schraubenschlüssel, und lösen Sie die Innensechskantschraube mit dem Inbusschlüssel. Entfernen Sie dann Innensechskantschraube, Außenflansch und Diamantscheibe.

► **Abb.5:** 1. Inbusschlüssel 2. Innensechskantschraube  
3. Schraubenschlüssel 22 4. Lösen  
5. Anziehen

Wenden Sie zur Montage der Diamantscheibe das Demontageverfahren umgekehrt an. Montieren Sie die Diamantscheibe stets so, dass der Pfeil auf der Scheibe in die gleiche Richtung zeigt wie der Pfeil auf dem Antriebsgehäuse.

► **Abb.6:** 1. Innensechskantschraube 2. Außenflansch  
3. Diamantscheibe 4. Innenflansch  
5. Tellerscheibe

## Staubsaack

Der Staubsaack ermöglicht sauberes Arbeiten und einfaches Staubsammeln. Zum Anbringen wird der Staubsaack auf den Absaugstutzen geschoben.

► **Abb.7:** 1. Staubsaack 2. Absaugstutzen

Der Ansatz des Absaugstutzens dreht sich frei. Positionieren Sie den Staubsaack so, dass Sie das Werkzeug bequem bedienen können.

► **Abb.8**

Wenn der Staubsaack etwa zu einem Drittel voll ist, nehmen Sie ihn vom Werkzeug ab, und ziehen Sie den Verschluss heraus. Entleeren Sie den Staubsaack, indem Sie ihn leicht abklopfen, um die an den Innenflächen haftenden Staubpartikel, die den Durchlass behindern können, zu lösen.

► **Abb.9:** 1. Verschluss

## Anschließen des Sauggeräts

Um saubere Schneidarbeiten durchzuführen, schließen Sie ein Makita-Sauggerät an Ihr Werkzeug an.

► **Abb.10:** 1. Schlauch des Sauggeräts  
2. Absaugstutzen

## BETRIEB

**⚠ VORSICHT: DIESES WERKZEUG SOLLTE NUR AUF HORIZONTAL EN FLÄCHEN VERWENDET WERDEN.**

**⚠ VORSICHT: Schieben Sie das Werkzeug in einer geraden Linie sachte vor.** Gewaltanwendung und übermäßige Druckausübung sowie Verbiegen, Klemmen oder Verdrehen der Trennscheibe im Schnitt können Überhitzen des Motors und gefährlichen Rückschlag des Werkzeugs verursachen.

Halten Sie das Werkzeug mit festem Griff. Setzen Sie die Grundplatte auf das zu schneidende Werkstück auf, ohne dass die Diamantscheibe mit dem Werkstück in Berührung kommt. Schalten Sie dann das Werkzeug ein und warten Sie, bis die Diamantscheibe die volle Drehzahl erreicht hat. Schieben Sie das Werkzeug nun flach und gleichmäßig über die Werkstückoberfläche vorwärts, bis der Schnitt vollendet ist. Halten Sie eine gerade Schnittlinie und eine gleichmäßige Vorschubgeschwindigkeit ein.

► **Abb.11**

## WARTUNG

**⚠ VORSICHT: Vergewissern Sie sich vor der Durchführung von Überprüfungen oder Wartungsarbeiten des Werkzeugs stets, dass es ausgeschaltet und vom Stromnetz getrennt ist.**

**ANMERKUNG: Verwenden Sie auf keinen Fall Benzin, Waschbenzin, Verdünner, Alkohol oder dergleichen. Solche Mittel können Verfärbung, Verformung oder Rissbildung verursachen.**

## Abrichten der Diamantscheibe

Wenn die Schneidfähigkeit der Diamantscheibe nachlässt, verwenden Sie eine ausrangierte grobkörnige Schleifscheibe oder einen Betonklotz, um die Diamantscheibe abzurichten. Spannen Sie dazu die Schleifscheibe oder den Betonklotz fest ein, und schneiden Sie die Diamantscheibe hinein.

## Nach der Benutzung

Blasen Sie Staub aus dem Inneren des Werkzeugs aus, indem Sie das Werkzeug eine Zeitlang leer laufen lassen. Wischen Sie an der Grundplatte angesammelten Staub ab. Die Ansammlung von Staub im Motor oder auf der Grundplatte kann eine Funktionsstörung des Werkzeugs verursachen.

## Auswechseln der Kohlebürsten

Überprüfen Sie die Kohlebürsten regelmäßig. Wechseln Sie sie aus, wenn sie bis zur Verschleißgrenze abgenutzt sind. Halten Sie die Kohlebürsten stets sauber, damit sie ungehindert in den Haltern gleiten können. Beide Kohlebürsten sollten gleichzeitig ausgewechselt werden. Verwenden Sie nur identische Kohlebürsten.

► **Abb.12:** 1. Verschleißgrenze

Drehen Sie die Bürstenhalterkappen mit einem Schraubendreher heraus. Nehmen Sie die abgenutzten Kohlebürsten heraus, setzen Sie die neuen ein, und drehen Sie dann die Bürstenhalterkappen wieder ein.

► **Abb.13:** 1. Schraubendreher 2. Bürstenhalterkappe

Um die SICHERHEIT und ZUVERLÄSSIGKEIT dieses Produkts zu gewährleisten, sollten Reparaturen und andere Wartungs- oder Einstellarbeiten nur von Makita-Vertragswerkstätten oder Makita-Kundendienstzentren unter ausschließlicher Verwendung von Makita-Originalersatzteilen ausgeführt werden.

## SONDERZUBEHÖR

**⚠ VORSICHT: Die folgenden Zubehörteile oder Vorrichtungen werden für den Einsatz mit dem in dieser Anleitung beschriebenen Makita-Werkzeug empfohlen.** Die Verwendung anderer Zubehörteile oder Vorrichtungen kann eine Verletzungsgefahr darstellen. Verwenden Sie Zubehörteile oder Vorrichtungen nur für ihren vorgesehenen Zweck.

Wenn Sie weitere Einzelheiten bezüglich dieser Zubehörteile benötigen, wenden Sie sich bitte an Ihre Makita-Kundendienststelle.

- Diamantscheiben (Trockentyp)
- Schraubenschlüssel 22
- Inbusschlüssel
- Führungsschiene
- Führungsschienenadapter
- Schutzbrille

**HINWEIS:** Manche Teile in der Liste können als Standardzubehör im Werkzeugsatz enthalten sein. Sie können von Land zu Land unterschiedlich sein.



## DATI TECNICI

Modello:	4100KB
Diametro disco	125 mm
Spessore max disco	2,2 mm
Capacità max di taglio	40 mm
Velocità nominale (n)	12.200 min <sup>-1</sup>
Lunghezza complessiva	231 mm
Peso netto	3,0 kg
Classe di sicurezza	□/II

- In conseguenza del nostro programma di ricerca e sviluppo continui, i dati tecnici nel presente manuale sono soggetti a modifiche senza preavviso.
- I dati tecnici possono variare da nazione a nazione.
- Peso in base alla procedura EPTA 01/2014

### Utilizzo previsto

Questo utensile è destinato al taglio di mattoni e calcestruzzo senza l'uso di acqua.

### Alimentazione

L'utensile deve essere collegato a una fonte di alimentazione con la stessa tensione indicata sulla targhetta del nome, e può funzionare solo a corrente alternata monofase. L'utensile è dotato di doppio isolamento, per cui può essere utilizzato con prese elettriche sprovviste di messa a terra.

### Per i sistemi di distribuzione della rete elettrica pubblica a bassa tensione da 220 V a 250 V

Le operazioni di accensione e spegnimento degli apparecchi elettrici causano fluttuazioni di tensione. L'utilizzo di questo dispositivo in condizioni inadatte della rete elettrica potrebbe produrre effetti negativi sul funzionamento di altri apparecchi. Con un'impedenza delle rete elettrica pari o inferiore a 0,37 ohm, si può presumere che non si verifichino effetti negativi. La presa elettrica di rete utilizzata per questo dispositivo deve essere protetta da un fusibile o da un interruttore automatico di protezione a bassa velocità di intervento.

### Rumore

Livello tipico di rumore pesato A determinato in base allo standard EN60745:

Livello di pressione sonora ( $L_{pA}$ ): 96 dB (A)

Livello di potenza sonora ( $L_{wA}$ ): 107 dB (A)

Incertezza (K): 3 dB (A)

**AVVERTIMENTO:** Indossare protezioni per le orecchie.

### Vibrazioni

Valore totale delle vibrazioni (somma vettoriale triassiale) determinato in base allo standard EN60745:

Modalità di lavoro: taglio di calcestruzzo

Emissione di vibrazioni ( $a_h$ ): 6,0 m/s<sup>2</sup>

Incertezza (K): 1,5 m/s<sup>2</sup>

**NOTA:** Il valore di emissione delle vibrazioni dichiarato è stato misurato in conformità al metodo standard di verifica, e può essere utilizzato per confrontare un utensile con un altro.

**NOTA:** Il valore di emissione delle vibrazioni dichiarato può venire utilizzato anche per una valutazione preliminare dell'esposizione.

**AVVERTIMENTO:** L'emissione delle vibrazioni durante l'utilizzo effettivo dell'utensile elettrico può variare rispetto al valore di emissione dichiarato, a seconda dei modi in cui viene utilizzato l'utensile.

**AVVERTIMENTO:** Accertarsi di identificare le misure di sicurezza per la protezione dell'operatore basate sulla stima dell'esposizione nelle condizioni effettive di utilizzo (tenendo presente tutte le parti del ciclo operativo, ad esempio le volte in cui l'utensile viene spento e quando gira a vuoto, oltre al tempo di attivazione).

### Dichiarazione di conformità CE

#### Solo per i paesi europei

La dichiarazione di conformità CE è inclusa nell'Allegato A al presente manuale di istruzioni.

# AVVERTENZE DI SICUREZZA

## Avvertenze generali relative alla sicurezza dell'utensile elettrico

**⚠ AVVERTIMENTO:** Leggere tutte le avvertenze di sicurezza, le istruzioni, le illustrazioni e i dati tecnici forniti con il presente utensile elettrico. La mancata osservanza di tutte le istruzioni elencate di seguito potrebbe risultare in scosse elettriche, incendi e/o gravi lesioni personali.

## Conservare tutte le avvertenze e le istruzioni come riferimento futuro.

Il termine "utensile elettrico" nelle avvertenze si riferisce sia all'utensile elettrico (cablato) nel funzionamento alimentato da rete elettrica che all'utensile elettrico (a batteria) nel funzionamento alimentato a batteria.

## Avvertenze di sicurezza per la troncatrice

- 1. La protezione fornita con l'utensile deve essere fissata saldamente all'utensile elettrico ed essere posizionata per la massima sicurezza, in modo da esporre la minima parte del disco verso l'operatore. Posizionare se stessi e gli astanti lontano dal piano del disco in rotazione.** La protezione aiuta a proteggere l'operatore dai frammenti di dischi rotti e dal contatto accidentale con il disco.
  - 2. Per il presente utensile elettrico utilizzare esclusivamente mole a disco diamantate.** La possibilità di montare un accessorio sull'utensile elettrico non ne garantisce il funzionamento in sicurezza.
  - 3. La velocità nominale dell'accessorio deve essere almeno pari alla velocità massima indicata sull'utensile elettrico.** Gli accessori che girano più velocemente della loro velocità nominale possono spaccarsi, e i frammenti possono venire scagliati via.
  - 4. I dischi devono essere utilizzati esclusivamente per le applicazioni consigliate. Ad esempio: non smerigliare con il fianco della mola a disco.** Le mole a disco abrasive sono progettate per la smerigliatura periferica, e le forze laterali applicate a questi dischi potrebbero causarne la frantumazione.
  - 5. Utilizzare sempre flange dei dischi non danneggiate con il diametro corretto per il disco selezionato.** Flange dei dischi corrette supportano i dischi, riducendo pertanto la possibilità di rottura dei dischi.
  - 6. Il diametro esterno e lo spessore dell'accessorio utilizzato devono rispettare la capacità nominale dell'utensile elettrico utilizzato.** Non è possibile proteggere o controllare in modo appropriato accessori di dimensioni errate.
- 7. Le dimensioni dei fori per gli alberi di dischi e flange devono essere appropriate in rapporto a quella del mandrino dell'utensile elettrico.** I dischi e le flange con fori per gli alberi che non coincidano con le misure degli attacchi di montaggio dell'utensile elettrico funzionano in modo sbilanciato, vibrano eccessivamente e potrebbero causare la perdita di controllo.
  - 8. Non utilizzare dischi danneggiati. Prima di ciascun utilizzo, verificare l'eventuale presenza di sceggiature o spaccature sui dischi. Qualora l'utensile elettrico o il disco venga fatto cadere, verificare l'eventuale presenza di danni o installare un disco non danneggiato. Dopo aver ispezionato e installato il disco, posizionare se stessi e gli astanti lontano dal piano di rotazione del disco, quindi far funzionare l'utensile elettrico alla massima velocità a vuoto per un minuto.** I dischi danneggiati in genere si rompono, durante questo periodo di prova.
  - 9. Indossare un'attrezzatura di protezione personale. A seconda dell'applicazione, utilizzare una visiera, occhiali oppure occhiali di sicurezza. A seconda delle esigenze, indossare una mascherina antipolvere, protezioni per l'udito, guanti e un grembiule da officina in grado di arrestare piccoli frammenti abrasivi o dei pezzi in lavorazione.** La protezione per gli occhi deve essere in grado di arrestare detriti volanti causati da svariate operazioni. La mascherina antipolvere o il respiratore devono essere in grado di filtrare le particelle generate dall'operazione in corso. L'esposizione prolungata al rumore ad alta intensità potrebbe causare la perdita dell'udito.
  - 10. Tenere gli astanti a distanza di sicurezza dall'area di lavoro. Chiunque entri nell'area di lavoro deve indossare l'attrezzatura di protezione personale.** I frammenti del pezzo in lavorazione o di un disco rotto potrebbero venire scagliati via e causare lesioni personali a una distanza superiore alle immediate vicinanze dell'operazione in corso.
  - 11. Mantenere l'utensile elettrico solo per le superfici di impugnatura isolate quando si esegue un'operazione in cui l'accessorio di taglio potrebbe entrare in contatto con fili elettrici nascosti o con il proprio cavo.** Un accessorio di taglio che entri in contatto con un filo elettrico sotto tensione potrebbe mettere sotto tensione le parti metalliche esposte dell'utensile elettrico e dare una scossa elettrica all'operatore.
  - 12. Posizionare il cavo a distanza dall'accessorio in rotazione.** Qualora si perda il controllo dell'utensile, il cavo potrebbe venire tagliato o restare impigliato, e la mano o il braccio dell'operatore potrebbero venire tirati nel disco in rotazione.
  - 13. Non appoggiare mai l'utensile elettrico finché l'accessorio non si è arrestato completamente.** Il disco in rotazione potrebbe far presa sulla superficie di appoggio e tirare l'utensile elettrico facendone perdere il controllo all'operatore.
  - 14. Non far funzionare l'utensile elettrico mentre lo si trasporta sul proprio fianco.** Un contatto accidentale con l'accessorio in rotazione potrebbe far impigliare gli indumenti, tirando l'accessorio contro il corpo dell'operatore.



15. **Pulire regolarmente le aperture di ventilazione dell'utensile elettrico.** La ventola del motore attira le polveri all'interno dell'alloggiamento, e l'accumulo eccessivo di polvere metallica potrebbe causare pericoli di natura elettrica.
16. **Non far funzionare l'utensile elettrico in prossimità di materiali infiammabili.** Le scintille potrebbero dare fuoco a tali materiali.
17. **Non utilizzare accessori che richiedano refrigeranti liquidi.** L'impiego di acqua o di altri refrigeranti liquidi potrebbe causare la folgorazione o scosse elettriche.
7. **Quando il disco si sta inceppando o quando si intende interrompere il taglio per un qualsiasi motivo, spegnere l'utensile elettrico e mantenerlo immobile fino all'arresto completo del disco. Non tentare mai di rimuovere il disco dal taglio mentre è in movimento; in caso contrario, si potrebbe verificare un contraccolpo.** Investigare e adottare misure correttive per eliminare la causa dell'inceppamento del disco.
8. **Non riavviare l'operazione di taglio all'interno del pezzo in lavorazione. Lasciare che il disco raggiunga la piena velocità e rientrare con attenzione nel taglio.** Qualora si riavvii l'utensile elettrico all'interno del pezzo in lavorazione, il disco potrebbe incepparsi, rialzarsi o dare un contraccolpo.

#### Contraccolpo e relative avvertenze

Il contraccolpo è una reazione improvvisa a un disco in rotazione che resti incastrato o impigliato. Un disco in rotazione che resti incastrato o impigliato subisce un rapido stallo che, a sua volta, spinge l'utensile elettrico fuori controllo nella direzione opposta alla rotazione del disco nel punto di inceppamento.

Ad esempio, qualora un disco abrasivo resti incastrato o impigliato nel pezzo in lavorazione, il filo del disco che entra nel punto di inceppamento può scavare nella superficie del materiale, causando la fuoriuscita o il contraccolpo del disco verso l'esterno. Il disco potrebbe saltare verso l'operatore o lontano da quest'ultimo, a seconda della direzione del movimento del disco nel punto in cui si è incastrato. In queste condizioni, i dischi abrasivi potrebbero anche rompersi.

Il contraccolpo è il risultato dell'uso improprio dell'utensile elettrico e/o di procedure o condizioni operative errate, e può essere evitato adottando le precauzioni appropriate indicate di seguito.

1. **Mantenere una salda presa sull'utensile elettrico e posizionare il corpo e il braccio in modo da poter resistere alle forze dei contraccolpi.** Per il massimo controllo dei contraccolpi o di reazioni di coppia durante l'avvio, utilizzare sempre la maniglia ausiliaria, se in dotazione. L'operatore può controllare le reazioni di coppia o le forze dei contraccolpi, se adotta le precauzioni appropriate.
2. **Non posizionare mai le mani in prossimità dell'accessorio in rotazione.** L'accessorio potrebbe saltare all'indietro sulla mano per un contraccolpo.
3. **Non posizionare il corpo in linea con il disco che gira.** Un contraccolpo potrebbe lanciare l'utensile nella direzione opposta al movimento del disco sul punto in cui si è impigliato.
4. **Fare particolarmente attenzione quando si intende lavorare su angoli, bordi acuti, e così via. Evitare che l'accessorio rimbalzi o resti impigliato.** Gli angoli, i bordi acuti o i rimbalzi tendono a far impigliare l'accessorio in rotazione e a causare la perdita di controllo o il contraccolpo.
5. **Non montare catene per seghe, lame da intaglio per legno, dischi diamantati a settori con distanza periferica tra i settori superiore a 10 mm o lame dentate.** Queste lame causano frequenti contraccolpi e perdite di controllo.
6. **Non spingere forzatamente il disco o applicare una pressione eccessiva. Non tentare di realizzare tagli eccessivamente profondi.** La sollecitazione eccessiva del disco incrementa il carico e la suscettibilità alla torsione o all'inceppamento del disco nel taglio, nonché la possibilità di contraccolpi o di rottura del disco.

9. **Supportare i pannelli o qualsiasi pezzo in lavorazione di grandi dimensioni, per ridurre al minimo il rischio che il disco resti incastrato o causi contraccolpi.** I pezzi in lavorazione di grandi dimensioni tendono a curvarsi sotto il proprio peso. I supporti devono essere piazzati sotto il pezzo in lavorazione, vicini alla linea di taglio e in prossimità del bordo del pezzo in lavorazione, da entrambi i lati del disco.
10. **Fare particolarmente attenzione quando si esegue un taglio di cavità su pareti esistenti o altre aree cieche.** Il disco che sporge potrebbe tagliare tubi del gas o dell'acqua, cavi elettrici o oggetti che potrebbero causare contraccolpi.
11. **Prima di utilizzare un disco diamantato a settori, accertarsi che il disco diamantato abbia una distanza periferica tra i settori non superiore a 10 mm, solo con angolo di spoglia negativo.**

#### Avvertenze supplementari per la sicurezza:

1. **Non tentare mai di tagliare tenendo l'utensile capovolto serrato in una morsa.** Questa procedura può causare gravi incidenti, in quanto è estremamente pericolosa.
2. **Alcuni materiali contengono sostanze chimiche che potrebbero essere tossiche. Adottare precauzioni onde evitare l'inalazione e il contatto con la pelle delle polveri. Attenersi ai dati relativi alla sicurezza del fornitore del materiale.**
3. **Riporre i dischi attenendosi ai consigli del produttore.** La conservazione errata potrebbe danneggiare i dischi.

## CONSERVARE LE PRESENTI ISTRUZIONI.

**⚠AVVERTIMENTO:** NON lasciare che comodità o la familiarità d'utilizzo con il prodotto (acquisita con l'uso ripetuto) sostituisca la stretta osservanza delle norme di sicurezza per il prodotto in questione. L'USO IMPROPRIO o la mancata osservanza delle norme di sicurezza indicate nel presente manuale di istruzioni potrebbero causare gravi lesioni personali.

## DESCRIZIONE DELLE FUNZIONI

**⚠ATTENZIONE:** Accertarsi sempre che l'utensile sia spento e scollegato dall'alimentazione prima di regolare o controllare le sue funzioni.

### Regolazione della profondità di taglio

**⚠ATTENZIONE:** Dopo aver regolato la profondità di taglio, serrare sempre saldamente la leva.

Allentare la leva sulla guida di profondità e spostare verso l'alto o verso il basso la base. Alla profondità di taglio desiderata, fissare la base serrando la leva. Per tagli più puliti e più sicuri, impostare la profondità di taglio in modo che il disco diamantato sporga di 2 mm o meno al di sotto del pezzo in lavorazione. L'uso di una profondità di taglio corretta aiuta a ridurre la possibilità di pericolosi CONTRACCOLPI, che possono causare lesioni personali.

► Fig.1: 1. Leva

### Allineamento

Allineare il bordo della parte anteriore della base con la linea di taglio utilizzata sul pezzo in lavorazione.

► Fig.2

### Funzionamento dell'interruttore

**⚠ATTENZIONE:** Prima di collegare l'utensile all'alimentazione elettrica, controllare sempre che l'interruttore a grilletto funzioni correttamente e che torni sulla posizione "OFF" quando viene rilasciato.

► Fig.3: 1. Interruttore a grilletto 2. Pulsante di blocco/  
Pulsante di sblocco

### Per gli utensili dotati di pulsanti di blocco

**⚠ATTENZIONE:** L'interruttore può essere bloccato sulla posizione "ON" per comodità dell'operatore durante l'uso prolungato. Fare attenzione quando si blocca l'utensile sulla posizione "ON", e mantenere una presa salda sull'utensile.

Per avviare l'utensile, è sufficiente premere l'interruttore a grilletto. Rilasciare l'interruttore a grilletto per arrestarlo. Per il funzionamento continuo, premere l'interruttore a grilletto, premere il pulsante di blocco per farlo rientrare, quindi rilasciare l'interruttore a grilletto. Per arrestare l'utensile dalla posizione di blocco, premere a fondo il grilletto, quindi rilasciarlo.

### Per gli utensili dotati di pulsanti di sblocco

L'utensile è dotato di un pulsante di sblocco, per evitare di premere accidentalmente l'interruttore a grilletto. Per avviare l'utensile, premere il pulsante di sblocco e premere l'interruttore a grilletto. Rilasciare l'interruttore a grilletto per arrestarlo.

**⚠AVVERTIMENTO:** Non utilizzare MAI l'utensile qualora si avvii semplicemente premendo l'interruttore a grilletto, senza premere il pulsante di sblocco. Un interruttore che necessiti di riparazione potrebbe causare un funzionamento accidentale e gravi lesioni personali. Riportare l'utensile a un centro di assistenza Makita per le riparazioni necessarie PRIMA di utilizzarlo ulteriormente.

**⚠AVVERTIMENTO:** Non rendere MAI inefficace il pulsante di sblocco fissandolo con del nastro adesivo o in altro modo. Un interruttore con un pulsante di sblocco reso inefficace potrebbe causare un funzionamento accidentale e gravi lesioni personali.

**⚠ATTENZIONE:** Non premere con forza l'interruttore a grilletto senza far rientrare il pulsante di sblocco premendolo. In caso contrario, si potrebbe causare la rottura dell'interruttore.

## MONTAGGIO

**⚠ATTENZIONE:** Accertarsi sempre che l'utensile sia spento e scollegato dall'alimentazione elettrica, prima di effettuare qualsiasi intervento su di esso.

### Conservazione della chiave esagonale

Quando non si utilizza la chiave esagonale, riporla come mostrato nella figura per evitare di perderla.

► Fig.4: 1. Chiave esagonale

### Rimozione o installazione del disco diamantato

**⚠ATTENZIONE:** ACCERTARSI DI SERRARE SALDAMENTE IL BULLONE ESAGONALE. Inoltre, fare attenzione a non serrare forzatamente il bullone. Qualora la mano scivoli dalla brugola, si potrebbero causare lesioni personali.

**⚠ATTENZIONE:** Per l'installazione o la rimozione del disco, utilizzare esclusivamente la chiave e la brugola Makita.

Tenere ferma la flangia esterna con la chiave e allentare il bullone esagonale con la brugola. Quindi, rimuovere il bullone esagonale, la flangia esterna e il disco diamantato.

► Fig.5: 1. Brugola 2. Bullone esagonale 3. Chiave 22  
4. Allentare 5. Serrare

Per installare il disco diamantato, eseguire la procedura di rimozione al contrario. Installare sempre il disco in modo che la freccia sul disco diamantato punti nella stessa direzione della freccia sull'alloggiamento degli ingranaggi.

► Fig.6: 1. Bullone esagonale 2. Flangia esterna  
3. Disco diamantato 4. Flangia interna  
5. Rondella concava

## Sacchetto polveri

L'utilizzo del sacchetto polveri rende le operazioni di taglio pulite e facilita la raccolta delle polveri. Per montare il sacchetto polveri, infilarlo sullo scarico polveri.

► **Fig.7:** 1. Sacchetto polveri 2. Scarico polveri

Il collo dello scarico polveri ruota liberamente.

Posizionare il sacchetto polveri in modo da poter utilizzare comodamente l'utensile.

► **Fig.8**

Quando il sacchetto polveri è pieno per circa un terzo della sua capacità, rimuovere il sacchetto polveri dall'utensile e tirare via il dispositivo di chiusura. Svuotare il sacchetto polveri del suo contenuto, dandogli dei leggeri colpi in modo da rimuovere le particelle che aderiscono alle superfici interne, che potrebbero ostacolare la raccolta.

► **Fig.9:** 1. Dispositivo di chiusura

## Collegamento dell'aspirapolvere

Quando si desidera eseguire operazioni di taglio pulite, collegare un aspirapolvere Makita all'utensile.

► **Fig.10:** 1. Tubo flessibile dell'aspirapolvere  
2. Scarico polveri

## FUNZIONAMENTO

**⚠ATTENZIONE:** IL PRESENTE UTENSILE DEVE ESSERE UTILIZZATO SOLO SU SUPERFICI ORIZZONTALI.

**⚠ATTENZIONE:** Accertarsi di far avanzare l'utensile in linea retta e delicatamente. Qualora si forzi il movimento e si eserciti una pressione eccessiva o si consenta al disco di piegarsi, restare incastrato o torcersi nel taglio si potrebbero causare il surriscaldamento del motore e pericolosi contraccolpi dell'utensile.

Mantenere saldamente l'utensile. Sistemare la piastra di base sul pezzo in lavorazione da tagliare, evitando che il disco diamantato entri in contatto con il pezzo in lavorazione. Quindi, accendere l'utensile e attendere che il disco diamantato raggiunga la piena velocità. Ora spostare semplicemente l'utensile in avanti sulla superficie del pezzo in lavorazione, mantenendolo in piano e avanzando in modo uniforme fino al completamento del taglio. Mantenere la linea di taglio dritta e la velocità di avanzamento costante.

► **Fig.11**

## MANUTENZIONE

**⚠ATTENZIONE:** Accertarsi sempre che l'utensile sia spento e scollegato dall'alimentazione elettrica, prima di tentare di eseguire interventi di ispezione o manutenzione.

**AVVISO:** Non utilizzare mai benzina, benzene, solventi, alcol o altre sostanze simili. In caso contrario, si potrebbero causare scolorimenti, deformazioni o crepe.

## Levigatura del disco diamantato

Qualora l'efficacia di taglio del disco diamantato inizi a ridursi, utilizzare una vecchia mola a grana grossa da buttare per smerigliatrice da banco, oppure un blocco di calcestruzzo, per levigare il disco diamantato. Per effettuare questa operazione, fissare saldamente la mola per smerigliatrice da banco o il blocco di calcestruzzo, quindi praticarvi dei tagli in profondità.

## Dopo l'uso

Eliminare le polveri all'interno dell'utensile facendolo girare a vuoto per un po' di tempo. Spazzolare via le polveri accumulate sulla base. L'accumulo delle polveri nel motore o sulla base potrebbe causare un malfunzionamento dell'utensile.

## Sostituzione delle spazzole in carbonio

Controllare a intervalli regolari le spazzole in carbonio. Sostituirle quando si sono usurate fino all'indicatore di limite. Mantenere sempre le spazzole in carbonio pulite e facili da inserire negli alloggiamenti. Entrambe le spazzole in carbonio vanno sostituite contemporaneamente. Utilizzare solo spazzole in carbonio identiche.

► **Fig.12:** 1. Segno limite

Utilizzare un cacciavite per rimuovere i cappucci degli alloggiamenti delle spazzole. Estrarre le spazzole in carbonio usurate, inserire quelle nuove e fissare i cappucci degli alloggiamenti delle spazzole.

► **Fig.13:** 1. Cacciavite 2. Cappuccio dell'alloggiamento della spazzola

Per preservare la SICUREZZA e l'AFFIDABILITÀ del prodotto, le riparazioni e qualsiasi altro intervento di manutenzione e di regolazione devono essere eseguiti da un centro di assistenza autorizzato Makita, utilizzando sempre ricambi Makita.

## ACCESSORI OPZIONALI

**⚠ATTENZIONE:** Questi accessori o componenti aggiuntivi sono consigliati per l'uso con l'utensile Makita specificato nel presente manuale. L'impiego di altri accessori o componenti aggiuntivi può costituire un rischio di lesioni alle persone. Utilizzare gli accessori o i componenti aggiuntivi solo per il loro scopo prefissato.

Per ottenere ulteriori dettagli relativamente a questi accessori, rivolgersi a un centro di assistenza Makita.

- Dischi diamantati (tipo a secco)
- Chiave 22
- Brugola
- Binario guida
- Adattatore per binario guida
- Occhiali di sicurezza

**NOTA:** Alcuni articoli nell'elenco potrebbero essere inclusi nell'imballaggio dell'utensile come accessori standard. Tali articoli potrebbero variare da nazione a nazione.

## TECHNISCHE GEGEVENS

Model:	4100KB
Schijfdiameter	125 mm
Max. schijfdikte	2,2 mm
Max. slijpdikte	40 mm
Nominaal toerental (n)	12.200 min <sup>-1</sup>
Totale lengte	231 mm
Nettogewicht	3,0 kg
Veiligheidsklasse	▣/II

- In verband met ononderbroken research en ontwikkeling behouden wij ons het recht voor bovenstaande technische gegevens te wijzigen zonder voorafgaande kennisgeving.
- De technische gegevens kunnen van land tot land verschillen.
- Gewicht volgens EPTA-procedure 01/2014

### Gebruiksdoeleinden

Dit gereedschap is bedoeld voor het slijpen in baksteen en beton zonder gebruik te maken van water.

### Voeding

Het gereedschap mag alleen worden aangesloten op een voeding van dezelfde spanning als aangegeven op het typeplaatje, en kan alleen worden gebruikt op enkelfase-wisselstroom. Het gereedschap is dubbel-geïsoleerd en kan derhalve ook op een niet-geaard stopcontact worden aangesloten.

### Voor openbare laagspanningsverdeelsystemen van tussen 220 V en 250 V

Schakelbedieningen van elektrische apparaten veroorzaken spanningsschommelingen. De bediening van dit gereedschap onder ongunstige lichtnetomstandigheden kan een nadelige invloed hebben op de bediening van andere apparaten. Het kan worden aangenomen dat er geen negatieve effecten zullen zijn wanneer de netimpedantie gelijk is aan of minder is dan 0,37 ohm. Het stopcontact dat voor dit gereedschap wordt gebruikt, moet beveiligd zijn door een zekering of een stroomonderbreker met trage afschakelkarakteristieken.

### Geluidsniveau

De typische, A-gewogen geluidsniveaus zijn gemeten volgens EN60745:

Geluidsdruk niveau ( $L_{pA}$ ): 96 dB (A)

Geluidsvermogen niveau ( $L_{WA}$ ): 107 dB (A)

Onzekerheid (K): 3 dB (A)

**WAARSCHUWING:** Draag gehoorbescherming.

### Trilling

De totale trillingswaarde (triaxiale vectorsom) zoals vastgesteld volgens EN60745:

Gebruikstoepassing: slijpen in cement

Trillingsemismissie ( $a_n$ ): 6,0 m/s<sup>2</sup>

Onzekerheid (K): 1,5 m/s<sup>2</sup>

**OPMERKING:** De opgegeven trillingsemismissiewaarde is gemeten volgens de standaardtestmethode en kan worden gebruikt om dit gereedschap te vergelijken met andere gereedschappen.

**OPMERKING:** De opgegeven trillingsemismissiewaarde kan ook worden gebruikt voor een beoordeling vooraf van de blootstelling.

**WAARSCHUWING:** De trillingsemismissie tijdens het gebruik van het elektrisch gereedschap in de praktijk kan verschillen van de opgegeven trillingsemismissiewaarde afhankelijk van de manier waarop het gereedschap wordt gebruikt.

**WAARSCHUWING:** Zorg ervoor dat veiligheidsmaatregelen worden getroffen ter bescherming van de operator die zijn gebaseerd op een schatting van de blootstelling onder praktijkomstandigheden (rekening houdend met alle fasen van de bedrijfs-cyclus, zoals de tijdsduur gedurende welke het gereedschap is uitgeschakeld en stationair draait, naast de ingeschakelde tijdsduur).

### EG-verklaring van conformiteit

**Alleen voor Europese landen**

De EG-verklaring van conformiteit is bijgevoegd als Bijlage A bij deze gebruiksaanwijzing.

# VEILIGHEIDSWAAR- SCHUWINGEN

## Algemene veiligheids waarschuwingen voor elektrisch gereedschap

**⚠ WAARSCHUWING:** Lees alle veiligheids-  
waarschuwingen, aanwijzingen, afbeeldingen en  
technische gegevens behorend bij dit elektrische  
gereedschap aandachtig door. Als u niet alle onder-  
staande aanwijzingen naleeft, kan dat resulteren in  
brand, elektrische schokken en/of ernstig letsel.

## Bewaar alle waarschuwingen en instructies om in de toekomst te kunnen raadplegen.

De term "elektrisch gereedschap" in de veiligheidsvoor-  
schriften duidt op gereedschappen die op stroom van  
het lichtnet werken (met snoer) of gereedschappen met  
een accu (snoerloos).

## Veiligheids waarschuwingen voor een snijder

1. **Monteer de beschermbeugel die bij het gereedschap is geleverd vooral stevig aan het elektrisch gereedschap en stel de beugel voor optimale veiligheid zodanig af dat een zo klein mogelijk deel van de schijf vrij blijft naar de gebruiker toe. Zorg dat u zelf en omstanders buiten het rotatievlak van de ronddraaiende schijf blijven.** De beschermbeugel dient om de gebruiker te beschermen tegen aanraking met de schijf en eventuele rondvliegende fragmenten daarvan.
2. **Gebruik uitsluitend diamant-doorslijpschijven met dit elektrisch gereedschap.** Ook wanneer het accessoire kan worden bevestigd op uw elektrisch gereedschap, is een veilige werking niet gegarandeerd.
3. **Het nominale toerental van het accessoire moet minstens gelijk zijn aan het maximumtoerental vermeld op het elektrisch gereedschap.** Accessoires die met een hoger toerental draaien dan hun nominaal toerental kunnen stuk breken en in het rond vliegen.
4. **De schijven mogen uitsluitend worden gebruikt voor de aanbevolen toepassingen. Bijvoorbeeld, probeer niet te slijpen met de platte kant van de doorslijpschijf.** Doorslijpschijven zijn ontworpen voor het slijpen met de rand van de schijf; zijwaartse druk kan de schijf in stukken doen breken.
5. **Gebruik altijd onbeschadigde schijfflenzen van de juiste diameter voor de te gebruiken schijf.** Een goede schijfflens ondersteunt de schijf en verkleint daarmee de kans op het breken van de schijf.
6. **De buitendiameter en de dikte van het accessoire moet binnen het capaciteitsbereik van het elektrisch gereedschap vallen.** Accessoires met verkeerde afmetingen kunnen niet afdoende worden afgeschermd of beheerst.

7. **De asdiameter van schijven en flenzen moeten goed passen rond de as van het elektrisch gereedschap.** Schijven en flenzen met een asdiameter die niet overeenkomt met de bevestigingshardware van het elektrisch gereedschap zullen niet in balans draaien en buitensporig trillen, en kunnen tot verlies van controle over het gereedschap leiden.
8. **Gebruik nooit beschadigde schijven. Inspecteer vóór ieder gebruik de schijven op ontbrekende schilfers en barsten. Nadat het elektrisch gereedschap of de schijf is gevallen, inspecteer u het op schade of monteert u een onbeschadigde schijf. Na inspectie en montage van de schijf, zorgt u ervoor dat u en omstanders niet in het rotatievlak van de schijf staan, en laat u het elektrisch gereedschap draaien op het maximaal, onbelast toerental gedurende één minuut.** Beschadigde schijven breken normaal gesproken in stukken gedurende deze testduur.
9. **Gebruik persoonlijke-beschermingsmiddelen. Afhankelijk van de toepassing gebruikt u een spatscherm, een beschermende bril of een veiligheidsbril. Al naar gelang van toepassing draagt u een stofmasker, gehoorbeschermers, handschoenen en een werkschort die in staat zijn kleine stukjes slijpsel of werkstukfragmenten te weerstaan.** De oogbescherming moet in staat zijn rondvliegend afval te stoppen dat ontstaat bij de diverse werkzaamheden. Het stofmasker of ademhalingsapparaat moet in staat zijn deeltjes te filteren die ontstaat bij de werkzaamheden. Langdurige blootstelling aan zeer intens geluid kan leiden tot gehoorbeschadiging.
10. **Houd omstanders op veilige afstand van het werkgebied. Iedereen die zich binnen het werkgebied begeeft, moet persoonlijke-beschermingsmiddelen gebruiken.** Fragmenten van het werkstuk of van een uiteengevallen schijf kunnen rondvliegen en letsel veroorzaken buiten de onmiddellijke werkomgeving.
11. **Houd het elektrisch gereedschap uitsluitend vast aan het geïsoleerde oppervlak van de handgrepen wanneer u werkt op plaatsen waar het slijpaccessoire met verborgen bedrading of zijn eigen snoer in aanraking kan komen.** Wanneer het slijpaccessoire in aanraking komt met onder spanning staande draden, zullen de niet-geïsoleerde metalen delen van het gereedschap onder spanning komen te staan zodat de gebruiker een elektrische schok kan krijgen.
12. **Houd het snoer goed uit de buurt van het ronddraaiende accessoire.** Als u de controle verliest over het gereedschap, kan het snoer worden doorgesneden of bekneld raken, en kan uw hand of arm tegen de ronddraaiende schijf worden aangetrokken.
13. **Leg het elektrisch gereedschap nooit neer voordat het accessoire volledig tot stilstand is gekomen.** De ronddraaiende schijf kan de ondergrond pakken zodat u de controle over het elektrisch gereedschap verliest.
14. **Laat het elektrisch gereedschap niet draaien terwijl u het naast u draagt.** Als het ronddraaiende accessoire u per ongeluk raakt, kan het verstrikt raken in uw kleding waardoor het accessoire in uw lichaam wordt getrokken.



15. **Maak de ventilatieopeningen van het elektrisch gereedschap regelmatig schoon.** De ventilator van de motor zal het stof de behuizing in trekken, en een grote opeenhoping van metaalslijpsel kan leiden tot elektrisch gevaarlijke situaties.
16. **Gebruik het elektrisch gereedschap niet in de buurt van brandbare materialen.** Vonken kunnen deze materialen doen ontvlammen.
17. **Gebruik geen accessoires die met vloeistof moeten worden gekoeld.** Het gebruik van water of andere vloeibare koelmiddelen kan leiden tot elektrocutie of elektrische schokken.
7. **Wanneer de schijf vastloopt of u het slijpen onderbreekt, schakelt u het elektrisch gereedschap uit en houdt u dit stil totdat de schijf volledig tot stilstand is gekomen. Probeer nooit de schijf uit de snede te halen terwijl de schijf nog draait omdat hierdoor een terugslag kan optreden.** Onderzoek waarom de schijf is vastgelopen en tref afdoende maatregelen om de oorzaak ervan op te heffen.
8. **Begin niet met slijpen terwijl de schijf al in het werkstuk steekt. Wacht totdat de schijf op volle toeren draait en breng daarna de schijf voorzichtig terug in de snede.** Wanneer het elektrisch gereedschap opnieuw wordt gestart terwijl de schijf al in het werkstuk steekt, kan de schijf vastlopen, omhoog lopen of terugslaan.

#### **Terugslag en aanverwante waarschuwingen**

Terugslag is een plotselinge reactie op een beknelde of vastgelopen draaiende schijf. Beknellen of vastlopen veroorzaakt een snelle stilstand van de draaiende schijf dat op zijn beurt ertoe leidt dat het elektrisch gereedschap zich ongecontroleerd beweegt in de tegenovergestelde richting van de draairichting van de schijf op het moment van vastlopen.

Bijvoorbeeld, als een slijpschijf bekneld raakt of vastloopt in het werkstuk, kan de rand van de schijf die het beknellingspunt ingaat, zich invreten in het oppervlak van het materiaal waardoor de schijf eruit klimt of eruit slaat. De schijf kan daarbij naar de gebruiker toe of weg springen, afhankelijk van de draairichting van de schijf op het beknellingspunt. Slijpschijven kunnen in dergelijke situaties ook breken.

Terugslag is het gevolg van misbruik van het elektrisch gereedschap en/of onjuiste gebruiksprocedures of omstandigheden, en kan worden voorkomen door goede voorzorgsmaatregelen te treffen, zoals hieronder vermeld.

1. **Houd het elektrisch gereedschap stevig vast en houd uw armen en lichaam zodanig dat u in staat bent een terugslag op te vangen. Gebruik altijd de extra handgreep (indien aanwezig) voor een maximale controle over het gereedschap in geval van terugslag en de koppelreactiekrachten bij het starten.** De gebruiker kan een terugslag of de koppelreactie opvangen indien de juiste voorzorgsmaatregelen worden getroffen.
2. **Plaats uw hand nooit in de buurt van het draaiende accessoire.** Het accessoire kan terugslaan over uw hand.
3. **Zorg dat uw lichaam buiten het rotatievlak van de draaiende schijf blijft.** Een terugslag zal het gereedschap bewegen in de tegenovergestelde richting van de draairichting van de schijf op het moment van beknellen.
4. **Wees bijzonder voorzichtig bij het werken met hoeken, scherpe randen, enz. Voorkom dat het accessoire springt of bekneld raakt.** Hoeken, scherpe randen of springen veroorzaken vaak beknellen van het draaiende accessoire wat leidt tot terugslag of verlies van controle over het gereedschap.
5. **Bevestig geen zaagketting, houtsnijblad of gesegmenteerde diamantschijf met randopeningen van meer dan 10 mm, of een getand zaagblad.** Dergelijke bladen leiden vaak tot terugslag of verlies van controle over het gereedschap.
6. **Laat de schijf niet vastlopen en oefen geen buitensporige druk uit. Probeer niet een buitensporig diepe snede te slijpen.** Een te grote kracht op de schijf verhoogt de belasting en de kans dat de schijf in de snede verdraait of vastloopt, waardoor terugslag kan optreden of de schijf kan breken.

9. **Ondersteun platen en grote werkstukken om de kans op het beknellen van de schijf en terugslag te minimaliseren.** Grote werkstukken neigen door te zakken onder hun eigen gewicht. U moet het werkstuk ondersteunen vlakbij de slijplijn en vlakbij de rand van het werkstuk aan beide kanten van de schijf.
10. **Wees extra voorzichtig wanneer u een invalsnede maakt in een bestaande wand of op een andere plaats waarvan u de onderkant niet kunt zien.** De uitstekende schijf kan gas- of waterleidingen, elektrische bedrading of voorwerpen die terugslag veroorzaken raken.
11. **Voordat u een gesegmenteerde diamantschijf gebruikt, controleert u dat de diamantschijf randopeningen van 10 mm of minder tussen de segmenten heeft, met alleen een negatieve hellingshoek.**

#### **Aanvullende veiligheidswaarschuwingen:**

1. **Probeer in geen geval materialen door te slijpen met het gereedschap ondersteboven vastgezet in een bankschroef.** Dat is bijzonder gevaarlijk en kan ernstige ongelukken veroorzaken.
2. **Bepaalde materialen kunnen giftige chemicaliën bevatten. Let op dat u geen stof inademt en zorg dat er niets op uw huid komt. Volg de veiligheidsinstructies van de leverancier van de materialen.**
3. **Berg de schijven zorgvuldig op volgens de aanbevelingen van de fabrikant.** Onjuiste opslag kan de schijven beschadigen.

## **BEWAAR DEZE INSTRUCTIES.**

**⚠️ WAARSCHUWING:** Laat u NIET misleiden door een vals gevoel van comfort en bekendheid met het gereedschap (na veelvuldig gebruik) en neem alle veiligheidsvoorschriften van het betreffende gereedschap altijd strikt in acht. **VERKEERD GEBRUIK** of het niet naleven van de veiligheidsvoorschriften in deze gebruiksaanwijzing kan leiden tot ernstig persoonlijk letsel.

## BESCHRIJVING VAN DE FUNCTIES

**⚠ LET OP:** Controleer altijd of het gereedschap is uitgeschakeld en de stekker ervan uit het stopcontact is verwijderd alvorens de functies op het gereedschap te controleren of af te stellen.

### De zaagdiepte instellen

**⚠ LET OP:** Nadat u de zaagdiepte hebt ingesteld, zet u de hendel altijd stevig vast.

Draai de hendel op de dieptegeleider los en verstel de zool omhoog of omlaag. Zet de zool vast op de gewenste zaagdiepte door de hendel vast te draaien. Voor schoon en veilig slijpen, stelt u de slijpdiepte zodanig in dat de diamantschijf 2 mm of minder onder het werkstuk uitsteekt. Met een correcte slijpdiepte wordt de kans verkleind op potentieel gevaarlijke TERUGSLAG waardoor persoonlijk letsel kan ontstaan.  
► Fig.1: 1. Hendel

### Zichtlijn

Lijn de rand aan de voorkant van de zool uit met uw slijplijn op het werkstuk.  
► Fig.2

### De trekkerschakelaar gebruiken

**⚠ LET OP:** Controleer altijd, voordat u de stekker in het stopcontact steekt, of de trekkerschakelaar op de juiste manier schakelt en weer terugkeert naar de uit-stand nadat deze is losgelaten.

► Fig.3: 1. Trekkerschakelaar 2. Vergrendelknop / Uit-vergrendelknop

### Voor een gereedschap met een vergrendelknop

**⚠ LET OP:** De schakelaar kan in de aan-stand vergrendeld worden, hetgeen bij langdurig gebruik comfortabeler werkt. Wees extra voorzichtig wanneer u de schakelaar in de aan-stand vergrendelt en houd het gereedschap altijd stevig vast.

Om het gereedschap te starten, knijpt u gewoon de trekkerschakelaar in. Laat de trekkerschakelaar los om het gereedschap te stoppen. Om het gereedschap continu te laten werken, knijpt u de trekkerschakelaar in, drukt u de vergrendelknop in en laat u daarna de trekkerschakelaar los. Om een gereedschap dat continu werkt te stoppen, knijpt u de trekkerschakelaar helemaal in en laat u hem daarna los.

### Voor een gereedschap met een uit-vergrendelknop

Om te voorkomen dat de trekkerschakelaar per ongeluk wordt ingeknepen, is een uit-vergrendelknop aangebracht. Om het gereedschap te starten, drukt u de uit-vergrendelknop in en knijpt u de trekkerschakelaar in. Laat de trekkerschakelaar los om het gereedschap te stoppen.

**⚠ WAARSCHUWING:** Gebruik het gereedschap NOOIT wanneer dit draait door gewoon de trekkerschakelaar in te knijpen zonder de uit-vergrendelknop in te drukken. Een schakelaar die gerepareerd moet worden kan leiden tot onbedoeld inschakelen van het gereedschap en ernstig persoonlijk letsel. Stuur het gereedschap naar een Makita-servicecentrum voor deugdelijke reparatie ALVORENS het verder te gebruiken.

**⚠ WAARSCHUWING:** U mag NOOIT de werking van de uit-vergrendelknop omzeilen door hem met tape vast te plakken of op een andere manier. Een schakelaar met een gemanipuleerde uit-vergrendelknop kan leiden tot onbedoeld inschakelen van het gereedschap en ernstig persoonlijk letsel.

**⚠ LET OP:** Knijp de trekkerschakelaar niet hard in zonder de uit-vergrendelknop in te drukken. Hierdoor kan de trekkerschakelaar kapot gaan.

## MONTAGE

**⚠ LET OP:** Zorg altijd dat het gereedschap is uitgeschakeld en dat zijn stekker uit het stopcontact is verwijderd alvorens enig werk aan het gereedschap uit te voeren.

### Opbergen van de inbussleutel

Wanneer u de inbussleutel niet gebruikt, bergt u deze op de plaats aangegeven in de afbeelding op, om te voorkomen dat deze wordt verloren.

► Fig.4: 1. Inbussleutel

### De diamantschijf aanbrengen of verwijderen

**⚠ LET OP: ZORG ERVOOR DAT U DE INBUSBOUT STEVIG VASTDRAAIT.** Wees daarnaast voorzichtig dat u de bout niet te krachtig aandraait. Als u met uw hand van de inbussleutel afglijdt, kan persoonlijk letsel worden veroorzaakt.

**⚠ LET OP:** Gebruik uitsluitend de Makita-sleutel en inbussleutel voor het aanbrengen en verwijderen van a schijf.

Houd de buitenflens met de sleutel vast en draai de inbusbout los met de inbussleutel. Verwijder vervolgens de inbusbout, de buitenflens en de diamantschijf.

► Fig.5: 1. Inbussleutel 2. Inbusbout 3. Sleutel 22 4. Losdraaien 5. Vastdraaien

Om de diamantschijf aan te brengen, volgt u de verwijderingsprocedure in omgekeerde volgorde. Breng de schijf altijd aan zodat de pijl op de diamantschijf in dezelfde richting wijst als de pijl op het tandwielhuis.

► Fig.6: 1. Inbusbout 2. Buitenflens 3. Diamantschijf 4. Binnenflens 5. Kraalring

## Stofzak

Door de stofzak te gebruiken werkt u schoon en vangt u het stof gemakkelijk op. Om de stofzak aan te brengen, plaatst u deze op de stofuitwerpmond.

► **Fig.7:** 1. Stofzak 2. Stofuitwerpmond

De hals van de stofuitwerpmond kan vrij ronddraaien. Richt de stofzak zodanig dat u het gereedschap comfortabel kunt bedienen.

► **Fig.8**

Als de stofzak ongeveer voor een derde gevuld is, verwijdert u de stofzak vanaf het gereedschap en trekt u de sluiting eraf. Gooi de inhoud van de stofzak weg en tik er licht tegen om ook de deeltjes te verwijderen die tegen de binnenkant kleven en de stofopvang kunnen hinderen.

► **Fig.9:** 1. Sluiting

## Een stofzuiger aansluiten

Wanneer u schoon wilt werken, sluit u een Makita-stofzuiger aan op uw gereedschap.

► **Fig.10:** 1. Slang van de stofzuiger  
2. Stofuitwerpmond

## BEDIENING

**⚠ LET OP: DIT GEREEDSCHAP MAG UITSLUITEND GEBRUIKT WORDEN OP HORIZONTALE OPPERVLAKKEN.**

**⚠ LET OP: Duw het gereedschap voorzichtig en in een rechte lijn naar voren.** Als u het gereedschap wringt en er buitensporig veel kracht op uitoefent, of als de schijf in de snede verbuigt, klem zit of verdraait, kan dit leiden tot oververhitting van de motor en gevaar voor terugslag.

Houd het gereedschap stevig vast. Plaats eerst de zool van het gereedschap op het te slijpen werkstuk zonder dat de diamantschijf het werkstuk raakt. Schakel daarna het gereedschap in en wacht totdat de diamantschijf op volle toeren draait. Duw het gereedschap nu gewoon naar voren over het oppervlak van het werkstuk, houd het daarbij vlak, en duw gelijkmatig totdat het slijpen klaar is. Houd de slijplijn recht en houd uw voortgaande snelheid constant.

► **Fig.11**

## ONDERHOUD

**⚠ LET OP: Zorg altijd dat het gereedschap is uitgeschakeld en zijn stekker uit het stopcontact is verwijderd alvorens te beginnen met inspectie of onderhoud.**

**KENNISGEVING: Gebruik nooit benzine, wasbenzine, thinner, alcohol en dergelijke. Hierdoor kunnen verkleuring, vervormingen en barsten worden veroorzaakt.**

## De diamantschijf zuiveren

Als de diamantschijf minder goed slijpt, gebruikt u een oude, opgebruikte, grofkorrelige slijpsteen van een tafelslijpmachine of een betonblok om de diamantschijf te zuiveren. Om dit te doen, zet u de slijpsteen van een tafelslijpmachine of het betonblok stevig vast en slijpt u erin.

## Na gebruik

Reinig het stof binnenin het gereedschap door het gereedschap enige tijd stationair te laten draaien. Borstel het opeen gehoopte stof vanaf de zool van het gereedschap. Opeenhoping van stof in de motor of op de zool kan leiden tot storing in het gereedschap.

## De koolborstels vervangen

Controleer regelmatig de koolborstels. Vervang ze wanneer ze tot aan de slijtgrensmarkering versleten zijn. Houd de koolborstels schoon, zodat ze gemakkelijk in de houders glijden. Beide koolborstels dienen tegelijkertijd te worden vervangen. Gebruik uitsluitend identieke koolborstels.

► **Fig.12:** 1. Slijtgrensmarkering

Gebruik een schroevendraaier om de koolborsteldoppen te verwijderen. Haal de versleten koolborstels eruit, schuif de nieuwe erin, en draai de koolborsteldoppen goed vast.

► **Fig.13:** 1. Schroevendraaier 2. Koolborsteldop

Om de VEILIGHEID en BETROUWBAARHEID van het gereedschap te handhaven, dienen alle reparaties, onderhoud of afstellingen te worden uitgevoerd bij een erkend Makita-servicecentrum of de Makita-fabriek, en altijd met gebruik van Makita-vervangingsonderdelen.

## OPTIONELE ACCESSOIRES

**⚠ LET OP: Deze accessoires of hulpstukken worden aanbevolen voor gebruik met het Makita gereedschap dat in deze gebruiksaanwijzing is beschreven.** Bij gebruik van andere accessoires of hulpstukken bestaat het gevaar van persoonlijke letsel. Gebruik de accessoires of hulpstukken uitsluitend voor hun bestemde doel.

Wenst u meer bijzonderheden over deze accessoires, neem dan contact op met het plaatselijke Makita-servicecentrum.

- Diamantschijven (droog type)
- Sleutel 22
- Inbussleutel
- Geleiderail
- Geleiderailadapter
- Beschermende bril

**OPMERKING:** Sommige items op de lijst kunnen zijn inbegrepen in de doos van het gereedschap als standaard toebehoren. Deze kunnen van land tot land verschillen.



## ESPECIFICACIONES

Modelo:	4100KB
Diámetro del disco	125 mm
Grosor máx. del disco	2,2 mm
Capacidades de corte máx.	40 mm
Velocidad especificada (n)	12.200 min <sup>-1</sup>
Longitud total	231 mm
Peso neto	3,0 kg
Clase de seguridad	▣/II

- Debido a nuestro continuado programa de investigación y desarrollo, las especificaciones aquí dadas están sujetas a cambios sin previo aviso.
- Las especificaciones pueden ser diferentes de país a país.
- Peso de acuerdo con el procedimiento EPTA 01/2014

### Uso previsto

La herramienta ha sido prevista para cortar ladrillos y cemento sin la utilización de agua.

### Alimentación

La herramienta deberá ser conectada solamente a una fuente de alimentación de la misma tensión que la indicada en la placa de características, y solamente puede ser utilizada con alimentación de CA monofásica. La herramienta tiene doble aislamiento y puede, por lo tanto, utilizarse también en tomas de corriente sin conductor de tierra.

### Para sistemas de distribución públicos de baja tensión de entre 220 V y 250 V

Las operaciones de encendido y apagado de los aparatos eléctricos ocasionan fluctuaciones de tensión. La operación de este dispositivo en condiciones desfavorables de corriente puede afectar adversamente a la operación de otros equipos. Con una impedancia eléctrica igual o inferior a 0,37 ohmios, se puede asumir que no surgirán efectos negativos. La toma de corriente utilizada para este dispositivo deberá estar protegida con un fusible o disyuntor de protección que tenga unas características de desconexión lenta.

### Ruido

El nivel de ruido A-ponderado típico determinado de acuerdo con la norma EN60745:  
 Nivel de presión sonora ( $L_{pA}$ ) : 96 dB (A)  
 Nivel de potencia sonora ( $L_{WA}$ ) : 107 dB (A)  
 Error (K) : 3 dB (A)

**⚠ ADVERTENCIA:** Póngase protectores para oídos.

### Vibración

El valor total de la vibración (suma de vectores triaxiales) determinado de acuerdo con la norma EN60745:  
 Modo de trabajo: corte de hormigón  
 Emisión de vibración ( $a_h$ ) : 6,0 m/s<sup>2</sup>  
 Error (K) : 1,5 m/s<sup>2</sup>

**NOTA:** El valor de emisión de vibración declarado ha sido medido de acuerdo con el método de prueba estándar y se puede utilizar para comparar una herramienta con otra.

**NOTA:** El valor de emisión de vibración declarado también se puede utilizar en una valoración preliminar de exposición.

**⚠ ADVERTENCIA:** La emisión de vibración durante la utilización real de la herramienta eléctrica puede variar del valor de emisión declarado dependiendo de las formas en las que la herramienta sea utilizada.

**⚠ ADVERTENCIA:** Asegúrese de identificar medidas de seguridad para proteger al operario que estén basadas en una estimación de la exposición en las condiciones reales de utilización (teniendo en cuenta todas las partes del ciclo operativo como las veces cuando la herramienta está apagada y cuando está funcionando en vacío además del tiempo de gatillo).

### Declaración CE de conformidad

#### Para países europeos solamente

La declaración CE de conformidad está incluida como Anexo A de esta manual de instrucciones.

# ADVERTENCIAS DE SEGURIDAD

## Advertencias de seguridad para herramientas eléctricas en general

**⚠️ ADVERTENCIA:** Lea todas las advertencias de seguridad, instrucciones, ilustraciones y especificaciones provistas con esta herramienta eléctrica. Si no sigue todas las instrucciones indicadas abajo podrá resultar en una descarga eléctrica, un incendio y/o heridas graves.

## Guarde todas las advertencias e instrucciones para futuras referencias.

El término "herramienta eléctrica" en las advertencias se refiere a su herramienta eléctrica de funcionamiento con conexión a la red eléctrica (con cable) o herramienta eléctrica de funcionamiento a batería (sin cable).

## Advertencias de seguridad para la cortadora

- 1. El protector provisto con la herramienta deberá estar colocado en la herramienta eléctrica firmemente y en la posición que ofrezca la máxima seguridad, de forma que hacia el operario quede la mínima parte de disco desprotegida. Colóquense usted y los curiosos alejados del plano de giro del disco giratorio.** El protector ayuda a proteger al operario de fragmentos de disco roto y de un contacto accidental con el disco.
- 2. Utilice solamente discos de cortar de diamante para su herramienta eléctrica.** Solamente porque un accesorio pueda ser instalado en su herramienta eléctrica, no quiere decir que su operación sea segura.
- 3. La velocidad especificada del accesorio deberá ser al menos igual que la velocidad máxima marcada en la herramienta eléctrica.** Si los accesorios se utilizan a una velocidad más alta de la velocidad especificada pueden romperse y salir despedidos.
- 4. Los discos deberán ser utilizados solamente para aplicaciones recomendadas. Por ejemplo, no amole con el costado de un disco de cortar.** Los discos de cortar abrasivos han sido previstos para amolado periférico, estos discos podrán desintegrarse si se les aplican fuerzas laterales.
- 5. Utilice siempre bridas de disco no dañadas que sean del tamaño correcto para el disco que ha seleccionado.** Las bridas de disco correctas sujetan los discos de tal manera que reducen la posibilidad de que el disco se rompa.
- 6. El diámetro exterior y el grosor de su accesorio deberán estar dentro de la capacidad nominal de su herramienta eléctrica.** Los accesorios de tamaño incorrecto no se pueden proteger ni controlar adecuadamente.
- 7. El tamaño del agujero para eje de los discos y bridas deberá encajar debidamente en el eje de la herramienta eléctrica.** Los discos y bridas con agujero para eje que no coincida con el eje de montaje de la herramienta eléctrica se desequilibrarán, vibrarán excesivamente y podrán ocasionar una pérdida de control.
- 8. No utilice discos dañados. Antes de cada utilización, inspeccione los discos por si están mellados o agrietados. Si deja caer la herramienta eléctrica o el disco, inspecciónelo por si está dañado o instale un disco que no esté dañado. Después de inspeccionar e instalar el disco, pónganse usted y los curiosos alejados del plano del disco giratorio y haga funcionar la herramienta eléctrica a velocidad máxima en vacío durante un minuto.** Normalmente, los discos dañados se romperán durante este tiempo de prueba.
- 9. Póngase equipo de protección personal. En función de la aplicación, utilice pantalla facial, gafas de protección o gafas de seguridad. Según corresponda, póngase mascarilla contra el polvo, protectores auditivos, guantes y delantal de taller que puedan detener los pequeños fragmentos abrasivos o de pieza de trabajo que salgan despedidos.** La protección de los ojos deberá ser capaz de detener los restos que salen volando generados en las diferentes operaciones. La mascarilla contra el polvo o respirador deberá ser capaz de filtrar las partículas generadas en su operación. La exposición prolongada a ruido de alta intensidad podrá ocasionar pérdida auditiva.
- 10. Mantenga a los curiosos a una distancia segura alejados del área de trabajo. Cualquiera persona que entre en el área de trabajo deberá utilizar equipo de protección personal.** Los fragmentos de la pieza de trabajo o de un disco roto pueden salir volando y ocasionar heridas más allá del área de operación inmediata.
- 11. Cuando realice una operación en la que el accesorio de corte pueda entrar en contacto con cableado oculto o con su propio cable, sujete la herramienta eléctrica por las superficies de asiento aisladas solamente.** El contacto del accesorio de corte con un cable con corriente hará que la corriente circule por las partes metálicas expuestas de la herramienta eléctrica y podrá soltar una descarga eléctrica al operario.
- 12. Posicione el cable alejado del accesorio giratorio.** Si pierde el control, el cable podrá ser cortado o enredarse y tirar de su mano o brazo hacia el disco giratorio.
- 13. No deje nunca la herramienta eléctrica hasta que el accesorio se haya detenido completamente.** El disco giratorio puede agarrarse en la superficie y tirar de la herramienta eléctrica dejándola fuera de control.
- 14. No tenga la herramienta eléctrica encendida mientras la lleva en su costado.** Un contacto accidental con el accesorio giratorio podrá enganchar sus ropas, y arrastrar el accesorio hacia su cuerpo.

15. **Limpie regularmente los orificios de ventilación de la herramienta eléctrica.** El ventilador del motor atraerá el polvo al interior de la carcasa y una acumulación excesiva del polvo metálico puede ocasionar riesgos eléctricos.
16. **No utilice la herramienta eléctrica cerca de materiales inflamables.** Las chispas pueden prender estos materiales.
17. **No utilice accesorios que requieran refrigerantes líquidos.** La utilización de agua u otros refrigerantes líquidos puede resultar en electrocución o descarga eléctrica.
7. **Cuando el disco esté estancándose o cuando quiera interrumpir un corte por cualquier razón, apague la herramienta eléctrica y sujétela sin moverla hasta que el disco se haya detenido completamente. No intente nunca sacar el disco del corte estando el disco moviéndose porque podrá producirse un retroceso brusco.** Investigue y tome medidas correctivas para eliminar la causa del estancamiento del disco.
8. **No reinicie la operación de corte en la pieza de trabajo. Deje que el disco alcance plena velocidad y vuelva a entrar en el corte cuidadosamente.** Si vuelve a poner en marcha la herramienta eléctrica en la pieza de trabajo, el disco podrá estancarse, saltar o retroceder bruscamente.
9. **Sujete los paneles o cualquier pieza de trabajo demasiado grande para minimizar el riesgo de que el disco se estanque o retroceda bruscamente.** Las piezas de trabajo grandes tienden a combarse con su propio peso. Deberá poner apoyos debajo de la pieza de trabajo cerca de la línea de corte y cerca del borde de la pieza de trabajo en ambos lados del disco.
10. **Extreme las precauciones cuando haga un "corte de cavidad" en paredes u otras áreas ciegas.** La parte saliente del disco podrá cortar tuberías de gas o agua, cables eléctricos u objetos que pueden ocasionar un retroceso brusco.
11. **Antes de utilizar un disco de diamante segmentado, asegúrese de que el disco de diamante tiene una holgura periférica entre segmentos de 10 mm o menos, solamente con un ángulo de corte negativo.**

**Retrocesos bruscos y advertencias relacionadas**  
El retroceso brusco es la reacción repentina al aprisionamiento o estancamiento de un disco giratorio. El aprisionamiento o estancamiento ocasiona un detenimiento rápido del disco giratorio que a su vez hace que la herramienta eléctrica descontrolada sea forzada en dirección opuesta a la rotación del disco en el punto de bloqueo. Por ejemplo, si el disco abrasivo queda aprisionado o estancado por la pieza de trabajo, el borde del disco que está entrando en el punto de estancamiento puede hincarse en la superficie del material haciendo que el disco se salga de la hendidura o salte. El disco podrá saltar hacia el operario o en dirección contraria a él, dependiendo de la dirección del movimiento del disco en el punto de estancamiento. Los discos abrasivos también podrán romperse en estas condiciones. Los retrocesos bruscos se deben a un mal uso de la herramienta eléctrica y/o a procedimientos o condiciones de trabajo incorrectos y pueden evitarse tomando las precauciones indicadas a continuación.

1. **Mantenga la herramienta eléctrica empuñada firmemente y posicione su cuerpo y brazo de forma que pueda resistir las fuerzas del retroceso brusco. Utilice siempre el mango auxiliar, si está provisto, para tener el máximo control sobre el retroceso brusco o reacción de torsión durante la puesta en marcha.** El operario puede controlar las reacciones de torsión o fuerzas de retroceso brusco, si toma las precauciones apropiadas.
2. **No ponga nunca su mano cerca del accesorio girando.** El accesorio puede retroceder bruscamente sobre su mano.
3. **No ponga su cuerpo en línea con el disco giratorio.** El retroceso brusco propulsará la herramienta en dirección opuesta al movimiento del disco en el punto de enganche.
4. **Tenga cuidado especial cuando trabaje en esquinas, bordes cortantes, etc. Evite que el accesorio rebote o se enganche.** Las esquinas, bordes cortantes o los rebotes tienen la tendencia a enganchar el accesorio giratorio y ocasionar la pérdida de control o retroceso brusco.
5. **No coloque una cadena de sierra, un disco de tallar madera o un disco de diamante segmentado con una holgura periférica mayor de 10 mm ni un disco de sierra dentado.** Tales discos crean retrocesos bruscos y pérdida de control frecuentes.
6. **No "atasque" el disco ni ejerza presión excesiva. No intente hacer un corte de excesiva profundidad.** Si fatiga en exceso el disco, aumentará la carga y la susceptibilidad de retrocederse o estancarse en el corte y existirá la posibilidad de que se produzca un retroceso brusco o la rotura del disco.

1. **No intente nunca cortar con la herramienta sujeta al revés en un tornillo de banco.** Esto podrá acarrear accidentes graves, porque es muy peligroso.
2. **Algunos materiales contienen sustancias químicas que podrán ser tóxicas. Tenga precaución para evitar la inhalación de polvo y el contacto con la piel. Siga los datos de seguridad del abastecedor del material.**
3. **Almacene los discos siguiendo las recomendaciones del fabricante.** Un almacenamiento inadecuado puede dañar los discos.

#### Advertencias de seguridad adicionales:

1. **No intente nunca cortar con la herramienta sujeta al revés en un tornillo de banco.** Esto podrá acarrear accidentes graves, porque es muy peligroso.
2. **Algunos materiales contienen sustancias químicas que podrán ser tóxicas. Tenga precaución para evitar la inhalación de polvo y el contacto con la piel. Siga los datos de seguridad del abastecedor del material.**
3. **Almacene los discos siguiendo las recomendaciones del fabricante.** Un almacenamiento inadecuado puede dañar los discos.

## GUARDE ESTAS INSTRUCCIONES.

**⚠️ ADVERTENCIA:** NO deje que la comodidad o familiaridad con el producto (a base de utilizarlo repetidamente) sustituya la estricta observancia de las normas de seguridad para el producto en cuestión. El MAL USO o el no seguir las normas de seguridad establecidas en este manual de instrucciones podrá ocasionar graves heridas personales.

## DESCRIPCIÓN DEL FUNCIONAMIENTO

**⚠PRECAUCIÓN:** Asegúrese siempre de que la herramienta está apagada y desenchufada antes de intentar realizar cualquier tipo de ajuste o comprobación en ella.

### Ajuste de la profundidad de corte

**⚠PRECAUCIÓN:** Después de ajustar la profundidad de corte, apriete siempre la palanca firmemente.

Afloje la palanca de la guía de profundidad y mueva la base hacia arriba o abajo. En la profundidad de corte deseada, fije la base apretando la palanca. Para obtener cortes más limpios y seguros, ajuste la profundidad de corte de forma que el disco de diamante sobresalga 2 mm o menos por debajo de la pieza de trabajo. La utilización de una profundidad de corte apropiada ayuda a reducir la posibilidad de que se produzcan peligrosos RETROCESOS BRUSCOS que pueden ocasionar heridas personales.

► Fig.1: 1. Palanca

### Guía visual

Alinee el borde de la parte frontal de la base con la línea de corte en la pieza de trabajo.

► Fig.2

### Accionamiento del interruptor

**⚠PRECAUCIÓN:** Antes de enchufar la herramienta, compruebe siempre para cerciorarse de que el gatillo interruptor se acciona debidamente y que vuelve a la posición "OFF" cuando lo suelta.

► Fig.3: 1. Gatillo interruptor 2. Botón de bloqueo / Botón de desbloqueo

### Para herramienta con botón de bloqueo

**⚠PRECAUCIÓN:** El interruptor puede ser bloqueado en la posición "Encendida" para mayor comodidad del operario durante una utilización prolongada. Tenga precaución cuando bloquee la herramienta en la posición "Encendida" y mantenga la herramienta firmemente empuñada.

Para poner en marcha la herramienta, simplemente apriete el gatillo interruptor. Suelte el gatillo interruptor para parar. Para una operación continua, apriete el gatillo interruptor, empuje hacia dentro el botón de bloqueo y después suelte el gatillo interruptor. Para parar la herramienta estando en la posición bloqueada, apriete el gatillo completamente, después suéltelo.

### Para herramienta con botón de desbloqueo

Para evitar que el gatillo interruptor pueda accionarse accidentalmente, se ha provisto un botón de desbloqueo. Para poner en marcha la herramienta, presione el botón de desbloqueo y apriete el gatillo interruptor. Suelte el gatillo interruptor para parar.

**⚠ADVERTENCIA:** No utilice NUNCA la herramienta si se pone en marcha cuando usted simplemente aprieta el gatillo interruptor sin presionar el botón de desbloqueo. Un interruptor con necesidad de reparación puede resultar en una puesta en marcha involuntaria y heridas personales graves. Lleve la herramienta a un centro de servicio Makita para que le hagan las reparaciones apropiadas ANTES de seguir utilizándola.

**⚠ADVERTENCIA:** No anule NUNCA la función del botón de desbloqueo sujetándolo con cinta adhesiva o alguna otra manera. Un interruptor con un botón de desbloqueo anulado puede resultar en una puesta en marcha involuntaria y heridas personales graves.

**⚠PRECAUCIÓN:** No apriete con fuerza el gatillo interruptor sin presionar hacia dentro el botón de desbloqueo. Podrá romper el interruptor.

## MONTAJE

**⚠PRECAUCIÓN:** Asegúrese siempre de que la herramienta está apagada y desenchufada antes de realizar cualquier trabajo en la herramienta.

### Para guardar la llave hexagonal

Cuando no la esté utilizando, coloque la llave hexagonal como se muestra en la figura para evitar perderla.

► Fig.4: 1. Llave hexagonal

### Desmontaje o instalación del disco de diamante

**⚠PRECAUCIÓN:** ASEGÚRESE DE APRETAR EL PERNO HEXAGONAL FIRMEENTE. También tenga cuidado de no apretar el perno forzosamente. Si su mano se desliza de la llave hexagonal podrá ocasionar heridas personales.

**⚠PRECAUCIÓN:** Utilice solamente la llave y la llave hexagonal Makita para instalar o desmontar el disco.

Sujete la brida exterior con la llave y afloje el perno hexagonal con la llave hexagonal. Después retire el perno hexagonal, la brida exterior y el disco de diamante.

► Fig.5: 1. Llave hexagonal 2. Perno hexagonal 3. Llave de 22 4. Aflojar 5. Apretar

Para instalar el disco de diamante, siga el procedimiento de desmontaje a la inversa. Instale siempre el disco de forma que la flecha en el disco de diamante apunte en la misma dirección que la flecha en el alojamiento de engranajes.

► Fig.6: 1. Perno hexagonal 2. Brida exterior 3. Disco de diamante 4. Brida interior 5. Arandela acopada

## Bolsa de polvo

La utilización de la bolsa de polvo permite realizar operaciones de corte limpias y la recogida de polvo de forma fácil. Para colocar la bolsa de polvo, encájela en el conducto de polvo.

► **Fig.7:** 1. Bolsa de polvo 2. Conducto de polvo

El cuello del conducto de polvo gira libremente. Posicione la bolsa de polvo de forma que usted pueda operar la herramienta cómodamente.

► **Fig.8**

Cuando la bolsa de polvo esté llena hasta un tercio más o menos, retire la bolsa de polvo de la herramienta y extraiga el cierre. Vacíe el contenido de la bolsa de polvo, golpeándola ligeramente para retirar las partículas adheridas en las partes interiores que podrían obstaculizar la recogida.

► **Fig.9:** 1. Cierre

## Conexión del aspirador

Cuando quiera realizar una operación de corte limpia, conecte un aspirador Makita a su herramienta.

► **Fig.10:** 1. Manguera del aspirador 2. Conducto de polvo

## OPERACIÓN

**⚠PRECAUCIÓN: ESTA HERRAMIENTA DEBERÁ UTILIZARSE SOLAMENTE SOBRE SUPERFICIES HORIZONTALES.**

**⚠PRECAUCIÓN: Asegúrese de mover la herramienta hacia delante en línea recta y suavemente.** Si fuerza o ejerce presión excesiva o si permite que el disco se tuerza, se trabe o retuerza en el corte, podrá ocasionar recalentamiento del motor y un retroceso brusco peligroso de la herramienta.

Sujete la herramienta firmemente. Ajuste la placa base en la pieza de trabajo que va a cortar sin que el disco de diamante esté haciendo ningún contacto. Después encienda la herramienta y espere hasta que el disco de diamante adquiera plena velocidad. Ahora simplemente mueva la herramienta hacia delante sobre la superficie de la pieza de trabajo, manteniéndola plana y avanzando suavemente hasta completar el corte. Mantenga la línea de corte recta y la velocidad de avance uniforme.

► **Fig.11**

## MANTENIMIENTO

**⚠PRECAUCIÓN: Asegúrese siempre de que la herramienta está apagada y desenchufada antes de intentar realizar la inspección o el mantenimiento.**

**AVISO: No utilice nunca gasolina, bencina, disolvente, alcohol o similares. Podría producir descoloración, deformación o grietas.**

## Reacondicionamiento del disco de diamante

Si la acción de corte del disco de diamante empieza a disminuir, utilice una muela de rectificar de grano grueso vieja o un bloque de cemento para reacondicionar el disco de diamante. Para hacer esto, sujete firmemente la muela de rectificar o el bloque de cemento y corte en él.

## Después de la utilización

Limpie el polvo del interior de la herramienta dejando funcionar la herramienta sin carga durante un rato. Quite con un cepillo el polvo acumulado en la base. La acumulación de polvo en el motor o en la base podrá ocasionar un mal funcionamiento de la herramienta.

## Reemplazo de las escobillas de carbón

Compruebe las escobillas de carbón regularmente. Reemplácelas cuando se hayan gastado hasta la marca límite. Mantenga las escobillas de carbón limpias de forma que entren libremente en los portaescobillas. Ambas escobillas de carbón deberán ser reemplazadas al mismo tiempo. Utilice solamente escobillas de carbón idénticas.

► **Fig.12:** 1. Marca límite

Utilice un destornillador para quitar los tapones del portaescobillas. Extraiga las escobillas de carbón desgastadas, inserte las nuevas y vuelva a colocar los tapones del portaescobillas.

► **Fig.13:** 1. Destornillador 2. Tapón del portaescobillas

Para mantener la SEGURIDAD y FIABILIDAD del producto, las reparaciones, y cualquier otra tarea de mantenimiento o ajuste deberán ser realizadas en centros de servicio o de fábrica autorizados por Makita, empleando siempre repuestos Makita.

## ACCESORIOS OPCIONALES

**⚠PRECAUCIÓN: Estos accesorios o aditamentos están recomendados para su uso con la herramienta Makita especificada en este manual.** El uso de cualquier otro accesorio o aditamento puede suponer un riesgo de heridas personales. Utilice el accesorio o aditamento solamente con la finalidad indicada para el mismo.

Si necesita cualquier ayuda para más detalles en relación con estos accesorios, pregunte al centro de servicio Makita local.

- Discos de diamante (Tipo seco)
- Llave de 22
- Llave hexagonal
- Riel guía
- Adaptador de riel guía
- Gafas de protección

**NOTA:** Algunos elementos de la lista podrán estar incluidos en el paquete de la herramienta como accesorios estándar. Pueden variar de un país a otro.

## ESPECIFICAÇÕES

Modelo:	4100KB
Diâmetro do disco	125 mm
Espessura máx. do disco	2,2 mm
Capacidades máx. de corte	40 mm
Velocidade nominal (n)	12.200 min <sup>-1</sup>
Comprimento total	231 mm
Peso líquido	3,0 kg
Classe de segurança	▣/II

- Devido a um programa contínuo de pesquisa e desenvolvimento, estas especificações podem ser alteradas sem aviso prévio.
- As especificações podem variar de país para país.
- Peso de acordo com o Procedimento EPTA 01/2014

### Utilização a que se destina

Esta ferramenta serve para cortar tijolos e betão sem a utilização de água.

### Alimentação

A ferramenta só deve ser ligada a uma fonte de alimentação com a mesma tensão da indicada na placa de características, e só funciona com alimentação de corrente alterna (CA) monofásica. Tem um sistema de isolamento duplo e pode, por isso, utilizar tomadas sem ligação à terra.

### Para sistemas públicos de distribuição de baixa tensão entre 220 V e 250 V

Alternar a operação de aparelhos elétricos pode provocar flutuações de tensão. A operação deste aparelho sob condições de alimentação elétrica desfavoráveis pode ter efeitos adversos na operação de outro equipamento. Com uma impedância de alimentação igual ou inferior a 0,37 Ohms pode-se presumir que não haverá efeitos negativos. A tomada de alimentação utilizada para este aparelho tem de estar protegida com um fusível ou um disjuntor de proteção de circuito com características de disparo lentas.

### Ruído

A característica do nível de ruído A determinado de acordo com a EN60745:

Nível de pressão acústica ( $L_{pA}$ ): 96 dB (A)

Nível de potência acústica ( $L_{WA}$ ): 107 dB (A)

Variabilidade (K): 3 dB (A)

**AVISO:** Utilize protetores auriculares.

### Vibração

Valor total da vibração (soma vetorial tri-axial) determinado de acordo com a EN60745:  
Modo de trabalho: corte de betão  
Emissão de vibração ( $a_h$ ): 6,0 m/s<sup>2</sup>  
Variabilidade (K): 1,5 m/s<sup>2</sup>

**NOTA:** O valor da emissão de vibração indicado foi medido de acordo com o método de teste padrão e pode ser utilizado para comparar duas ferramentas.

**NOTA:** O valor da emissão de vibração indicado pode também ser utilizado na avaliação preliminar da exposição.

**AVISO:** A emissão de vibração durante a utilização real da ferramenta elétrica pode diferir do valor de emissão indicado, dependendo das formas como a ferramenta é utilizada.

**AVISO:** Certifique-se de identificar as medidas de segurança para proteção do operador que sejam baseadas em uma estimativa de exposição em condições reais de utilização (considerando todas as partes do ciclo de operação, tal como quando a ferramenta está desligada e quando está a funcionar em marcha lenta além do tempo de acionamento).

### Declaração de conformidade da CE

#### Apenas para os países europeus

A declaração de conformidade da CE está incluída como Anexo A neste manual de instruções.



# AVISOS DE SEGURANÇA

## Avisos gerais de segurança para ferramentas elétricas

**⚠️ AVISO:** Leia todos os avisos de segurança, instruções, ilustrações e especificações fornecidos com esta ferramenta elétrica. O não cumprimento de todas as instruções indicadas em baixo pode resultar em choque elétrico, incêndio e/ou ferimentos graves.

## Guarde todos os avisos e instruções para futuras referências.

O termo “ferramenta elétrica” nos avisos refere-se às ferramentas elétricas ligadas à corrente elétrica (com cabo) ou às ferramentas elétricas operadas por meio de bateria (sem cabo).

## Avisos de segurança para a serra mármore

- 1. A proteção fornecida com a ferramenta deve ser colocada firmemente na ferramenta elétrica e posicionada para segurança máxima, para que o mínimo de disco fique exposto em direção ao operador. Posicione-se a si e às pessoas presentes longe do plano do disco rotativo.** A proteção ajuda a proteger o operador de fragmentos de disco partido e do contacto accidental com o disco.
- 2. Utilize somente discos de corte diamantados na ferramenta elétrica.** O facto de um acessório poder ser instalado na ferramenta elétrica não garante um funcionamento com segurança.
- 3. A velocidade nominal do acessório deve ser, pelo menos, igual à velocidade máxima marcada na ferramenta elétrica.** Os acessórios que funcionam mais rápido do que a velocidade nominal podem partir-se e ser arremessados.
- 4. Os discos devem ser usados somente para as aplicações recomendadas. Por exemplo: não triture com a parte lateral do disco de corte.** Os discos de corte abrasivos servem para trituração periférica, as forças laterais aplicadas a estes discos podem fazer com que eles se estilhacem.
- 5. Utilize sempre flanges de disco não danificadas de diâmetro correto para o disco selecionado.** As flanges apropriadas apoiam o disco, reduzindo a possibilidade de quebra do mesmo.
- 6. O diâmetro externo e a espessura do acessório devem estar dentro da classificação da capacidade da ferramenta elétrica.** Não é possível proteger ou controlar acessórios de tamanho incorreto.
- 7. O tamanho do orifício de encaixe dos discos e flanges deve ser adequado ao veio da ferramenta elétrica.** Os discos e flanges com orifícios da haste que não correspondem ao hardware de montagem da ferramenta elétrica ficam desequilibrados, vibram excessivamente e podem causar a perda de controlo.
- 8. Não utilize discos danificados.** Antes de cada utilização, examine os discos a fim de verificar se há fissuras e rachaduras. Se a ferramenta elétrica ou o disco cair, verifique se o disco está danificado ou instale um disco novo. Depois de inspecionar e instalar o disco, certifique-se de que os espetadores, bem como você mesmo, ficam afastados da área do disco rotativo e faça funcionar a ferramenta elétrica em vazio, à velocidade máxima, durante um minuto. Normalmente, os discos danificados partem-se durante este teste.
- 9. Utilize equipamento de proteção pessoal.** Utilize um protetor facial, óculos de segurança ou protetores oculares, conforme a aplicação. Conforme adequado, utilize uma máscara contra o pó, protetores auriculares, luvas e avental capazes de resguardar contra partículas abrasivas ou estilhaços da peça de trabalho. O protetor ocular deve ter capacidade para resguardar contra detritos arremessados produzidos durante as várias operações. A máscara contra o pó ou de respiração deve ter capacidade para filtrar as partículas geradas durante a operação. A exposição prolongada a ruídos de alta intensidade pode causar a perda de audição.
- 10. Mantenha os espetadores afastados da área de trabalho, a uma distância segura. Todas as pessoas que entram na área de trabalho devem utilizar equipamentos de proteção pessoal.** Os fragmentos da peça de trabalho ou de um disco partido podem ser atritados para além da área imediata da operação e causar ferimentos.
- 11. Agarre na ferramenta elétrica somente pelas superfícies das pegas isoladas quando executar uma operação em que o acessório de corte possa entrar em contacto com fios ocultos ou com o seu próprio fio.** O contacto do acessório de corte com um fio “com corrente” pode carregar as partes metálicas expostas da ferramenta elétrica e causar um choque elétrico no operador.
- 12. Posicione o fio longe do acessório em rotação.** Se perder o controlo, o fio pode ser cortado ou ficar preso e a sua mão ou braço pode ser puxado em direção ao disco em rotação.
- 13. Nunca pouse a ferramenta elétrica antes de o acessório parar completamente.** O disco em rotação pode prender na superfície e puxar a ferramenta elétrica, causando a perda de controlo.
- 14. Não faça a ferramenta elétrica funcionar enquanto a carrega ao seu lado.** O contacto accidental com o acessório em rotação pode prender a sua roupa e puxar o acessório na direção do seu corpo.
- 15. Limpe regularmente os orifícios de ventilação da ferramenta elétrica.** A ventoinha do motor atrai o pó para dentro da caixa e a acumulação excessiva de metal pulverizado pode causar choque elétrico.
- 16. Não utilize a ferramenta elétrica perto de materiais inflamáveis.** As faíscas podem incendiar esses materiais.
- 17. Não utilize acessórios que necessitem de refrigerantes líquidos.** A utilização de água ou outros líquidos refrigerantes pode resultar em eletrocussão ou choque.

### **Avisos sobre recuos e outros avisos relacionados**

O recuo é uma reação repentina a um disco rotativo que fica bloqueado ou encravado. O bloqueio ou encravamento causa a paragem imediata do disco rotativo que, por sua vez, faz com que a ferramenta elétrica fora de controlo seja forçada na direção oposta à da rotação do disco, no momento que fica preso.

Por exemplo, se um disco abrasivo ficar encravado ou bloqueado na peça de trabalho, a borda do disco que está a entrar no ponto onde bloqueou pode entrar na superfície do material fazendo com que o disco salte ou provoque um contragolpe. O disco pode pular na direção do operador ou na direção oposta, dependendo do sentido do movimento do disco no ponto onde ficou preso. Os discos abrasivos também podem partir nessas condições.

O recuo é o resultado da utilização imprópria da ferramenta elétrica e/ou de procedimentos ou condições de funcionamento incorretos e pode ser evitado tomando-se as medidas de precaução adequadas, como indicado abaixo.

1. **Segure a ferramenta elétrica com firmeza e posicione-se de tal forma que o seu corpo e braço lhe permitam resistir à força do recuo. Utilize sempre a pega auxiliar, se fornecida, para um controlo máximo do recuo ou da reação do binário durante o arranque.** O operador pode controlar as reações do binário ou as forças do recuo se tomar as precauções necessárias.
2. **Nunca coloque a sua mão próxima do acessório rotativo.** O acessório pode recuar sobre a sua mão.
3. **Não posicione o seu corpo alinhado com o disco rotativo.** O recuo impulsionará a ferramenta na direção oposta à do movimento do disco no ponto onde fica preso.
4. **Tenha todo o cuidado quando trabalhar cantos, extremidades aguçadas, etc. Evite balouçar e bater no acessório.** Os cantos, as extremidades aguçadas ou os ressalto tendem a prender o acessório rotativo e causar perda de controlo ou recuo.
5. **Não coloque uma corrente de serra, um lâmina para esculpir madeira, um disco diamantado segmentado com um intervalo periférico superior a 10 mm ou uma lâmina de serra dentada.** Estas lâminas criam recuos frequentes e perda de controlo.
6. **Não bloqueie o disco nem exerça pressão excessiva. Não tente efetuar um corte muito profundo.** Sujeitar o disco a esforço excessivo aumenta a carga e a suscetibilidade de torção ou encravamento do disco no corte e a possibilidade de recuo ou quebra do disco.
7. **Se o disco ficar preso ou se interromper o corte por qualquer motivo, desligue a ferramenta elétrica e segure-a imóvel até o disco parar completamente. Nunca tente retirar o disco do corte enquanto ainda estiver em rotação, caso contrário poderá ocorrer um recuo.** Verifique e tome as medidas corretivas para eliminar a causa do encravamento do disco.

8. **Não reinicie a operação de corte na peça de trabalho. Aguarde até que o disco atinja a velocidade máxima e coloque-o cuidadosamente no corte.** O disco pode encravar, saltar ou recuar se ligar a ferramenta elétrica quando ela estiver em contacto com a peça de trabalho.
9. **Apoie painéis ou peças de trabalho muito grandes para minimizar o risco do disco prender e causar um recuo.** As peças de trabalho grandes tendem a ceder sob o seu próprio peso. Os apoios devem ser colocados debaixo da peça de trabalho, perto da linha de corte e da borda da peça de trabalho, nos dois lados do disco.
10. **Tenha cuidado especialmente ao fazer um “corte penetrante” em paredes ou outras áreas desconhecidas.** O disco exposto pode cortar canos de gás ou de água, cablagens elétricas ou outros objetos que podem causar recuo.
11. **Antes de utilizar um disco diamantado segmentado, certifique-se de que o disco diamantado tem um intervalo periférico entre segmentos de 10 mm ou menos, apenas com um ângulo de inclinação negativo.**

### **Avisos de segurança adicionais:**

1. **Nunca tente cortar com a ferramenta virada ao contrário num torno.** Isso pode provocar acidentes graves, porque é extremamente perigoso.
2. **Algum material contém químicos que podem ser tóxicos. Tenha cuidado para evitar a inalação de pó e o contacto com a pele. Siga a ficha de dados de segurança do fornecedor do material.**
3. **Armazene os discos de acordo com as recomendações do fabricante.** Um armazenamento inadequado pode danificar os discos.

## **GUARDE ESTAS INSTRUÇÕES.**

**AVISO:** NÃO permita que o conforto ou familiaridade com o produto (adquirido com o uso repetido) substitua o cumprimento estrito das regras de segurança da ferramenta. A MÁ INTERPRETAÇÃO ou o não seguimento das regras de segurança estabelecidas neste manual de instruções pode provocar ferimentos pessoais graves.



## DESCRIÇÃO FUNCIONAL

**⚠️ PRECAUÇÃO:** Certifique-se sempre de que a ferramenta está desligada e com a ficha retirada da tomada, antes de proceder a afinações ou de verificar o funcionamento da respetiva ferramenta.

### Regulação da profundidade do corte

**⚠️ PRECAUÇÃO:** Depois de regular a profundidade do corte, aperte sempre a alavanca com segurança.

Afrouxe a alavanca na guia de profundidade e desloque a base para cima ou para baixo. Na profundidade de corte desejada, prenda a base apertando a alavanca. Para realizar cortes mais limpos e mais seguros, defina a profundidade de corte de modo que o disco diamantado projete 2 mm ou menos abaixo da peça de trabalho. O recurso a uma profundidade de corte ajuda a reduzir o potencial de RESSALTOS perigosos que podem causar lesões físicas.

► Fig.1: 1. Alavanca

### Apontar

Alinhe a extremidade da frente da base com a linha de corte na peça de trabalho.

► Fig.2

### Ação do interruptor

**⚠️ PRECAUÇÃO:** Antes de ligar a ferramenta à corrente, verifique sempre se o gatilho funciona corretamente e volta para a posição "OFF" quando libertado.

► Fig.3: 1. Gatilho 2. Botão de bloqueio/Botão de desbloqueio

### Para ferramentas com botão de bloqueio

**⚠️ PRECAUÇÃO:** O interruptor pode ser bloqueado na posição de ligado para facilidade e conforto do utilizador durante uma utilização alargada. Tenha todo o cuidado quando bloquear a ferramenta na posição de ligado e mantenha a ferramenta firmemente segura em posição.

Para pôr a ferramenta a funcionar, basta puxar o gatilho. Liberte o gatilho para parar. Para um funcionamento contínuo, puxe o gatilho, empurre o botão de bloqueio para dentro e, depois, solte o gatilho. Para parar a ferramenta a partir da posição de bloqueada, puxe o gatilho até ao fim, depois solte-o.

### Para ferramentas com botão de desbloqueio

Para evitar que o gatilho seja puxado acidentalmente, a ferramenta está equipada com um botão de desbloqueio. Para arrancar a ferramenta, pressione o botão de desbloqueio e puxe o gatilho. Liberte o gatilho para parar.

**⚠️ AVISO:** NUNCA utilize a ferramenta se ela funcionar quando puxa simplesmente o gatilho sem ter de premir o botão de desbloqueio. Um gatilho com necessidade de reparação pode resultar em funcionamento não intencional e em ferimentos pessoais graves. Entregue a ferramenta num centro de assistência Makita para receber as reparações adequadas ANTES de voltar a utilizá-la.

**⚠️ AVISO:** NUNCA anule a função do botão de desbloqueio dando-lhe uma pancada ou por qualquer outro meio. Um gatilho com um botão de desbloqueio a funcionar inadequadamente pode resultar em funcionamento não intencional e em ferimentos pessoais graves.

**⚠️ PRECAUÇÃO:** Não puxe o gatilho com força sem premir o botão de desbloqueio. Isto pode provocar a quebra do gatilho.

## MONTAGEM

**⚠️ PRECAUÇÃO:** Certifique-se sempre de que a ferramenta está desligada e com a ficha retirada da tomada antes de executar quaisquer trabalhos na ferramenta.

### Armazenamento da chave hexagonal

Quando não a estiver a utilizar, guarde a chave hexagonal como indicado na figura para não a perder.

► Fig.4: 1. Chave hexagonal

### Remover ou instalar o disco diamantado

**⚠️ PRECAUÇÃO:** CERTIFIQUE-SE DE QUE APERTA SEGURAMENTE O PERNO HEXAGONAL. Tenha igualmente cuidado para não forçar o aperto do perno. Se a sua mão escorregar da chave hexagonal, pode provocar ferimentos pessoais.

**⚠️ PRECAUÇÃO:** Utilize só a chave e a chave hexagonal Makita para instalar ou retirar o disco.

Segure a flange exterior com a chave e solte o perno hexagonal com a chave hexagonal. Em seguida retire o perno hexagonal, a flange exterior e o disco diamantado.

► Fig.5: 1. Chave hexagonal 2. Perno hexagonal 3. Chave 22 4. Soltar 5. Apertar

Para instalar o disco diamantado, siga o procedimento de remoção pela ordem inversa. Instale sempre o disco de forma que a seta no disco diamantado fique a apontar na mesma direção que a seta na caixa da engrenagem.

► Fig.6: 1. Perno hexagonal 2. Flange exterior 3. Disco diamantado 4. Flange interior 5. Arruela côncava

## Saco do pó

A utilização do saco do pó torna as operações de corte limpas e fáceis para fins de recolha do pó. Para fixar o saco do pó, encaixe-o no bico do pó.

► **Fig.7:** 1. Saco do pó 2. Bico do pó

A haste do bico do pó roda livremente. Posicione o saco do pó de forma a poder utilizar a ferramenta de forma confortável.

► **Fig.8**

Quando o saco do pó estiver cerca de um terço cheio, remova o saco do pó da ferramenta e extraia o fixador. Esvazie o conteúdo do saco do pó, batendo ligeiramente neste de modo a remover as partículas aderentes no interior que possam dificultar a recolha do pó.

► **Fig.9:** 1. Fixador

## Ligar o aspirador

Quando pretender realizar operações de corte limpo, ligue o aspirador Makita à sua ferramenta.

► **Fig.10:** 1. Mangueira do aspirador 2. Bico do pó

## OPERAÇÃO

**⚠PRECAUÇÃO:** ESTA FERRAMENTA SÓ DEVE SER UTILIZADA EM SUPERFÍCIES HORIZONTAIS.

**⚠PRECAUÇÃO:** Certifique-se de que movimenta a ferramenta para a frente suavemente numa linha reta. Se forçar ou exercer pressão excessiva ou permitir que o disco entorte, fique preso ou torcido no corte pode causar sobreaquecimento do motor e recuo perigoso da ferramenta.

Segure firmemente a ferramenta. Coloque a placa base na peça de trabalho a ser cortada sem que o disco diamantado lhe toque. Ligue a ferramenta e espere até que o disco diamantado atinja a velocidade máxima. Agora, mova simplesmente a ferramenta para a frente sobre a superfície da peça de trabalho, mantendo-a nivelada e avance suavemente até o corte estar concluído. Mantenha a linha de corte reta e a velocidade de avanço uniforme.

► **Fig.11**

## MANUTENÇÃO

**⚠PRECAUÇÃO:** Certifique-se sempre de que a ferramenta está desligada e com a ficha retirada da tomada antes de tentar proceder à inspeção ou à manutenção.

**OBSERVAÇÃO:** Nunca utilize gasolina, benzina, diluente, álcool ou produtos semelhantes. Pode ocorrer a descoloração, deformação ou rachaduras.

## Revestir o disco diamantado

Se a ação de corte do disco diamantado começar a diminuir, utilize um disco de rebarbadora de bancada de grão grosso usado ou um bloco de betão para revestir o disco diamantado. Para isso, fixe firmemente o disco de rebarbadora de bancada ou o bloco de betão e corte sobre este.

## Depois da utilização

Limpe o pó dentro da ferramenta deixando-a a funcionar em ponto morto durante algum tempo. Limpe o pó acumulado na base com uma escova. A acumulação de pó no motor ou na base pode provocar o mau funcionamento da ferramenta.

## Substituição das escovas de carvão

Verifique regularmente as escovas de carvão. Substitua-as quando estiverem gastas até à marca limite. Mantenha as escovas de carvão limpas e a deslizar nos suportes. As duas escovas de carvão devem ser substituídas ao mesmo tempo. Só utilize escovas de carvão idênticas.

► **Fig.12:** 1. Marca limite

Utilize uma chave de parafusos para retirar as tampas do suporte das escovas. Retire as escovas de carvão usadas, coloque as novas e feche as tampas do suporte das escovas.

► **Fig.13:** 1. Chave de parafusos 2. Tapa do suporte da escova

Para manter a SEGURANÇA e a FIABILIDADE do produto, as reparações e qualquer outra manutenção ou ajuste devem ser levados a cabo pelos centros de assistência Makita autorizados ou pelos centros de assistência de fábrica, utilizando sempre peças de substituição Makita.

## ACESSÓRIOS OPCIONAIS

**⚠PRECAUÇÃO:** Estes acessórios ou peças são recomendados para utilização com a ferramenta Makita especificada neste manual. A utilização de outros acessórios ou peças pode ser perigosa para as pessoas. Utilize apenas acessórios ou peças para os fins indicados.

Se necessitar de informações adicionais relativas a estes acessórios, solicite-as ao seu centro de assistência Makita.

- Discos diamantados (do tipo seco)
- Chave 22
- Chave hexagonal
- Calha-guia
- Adaptador da calha-guia
- Óculos de segurança

**NOTA:** Alguns itens da lista podem estar incluídos na embalagem da ferramenta como acessórios padrão. Eles podem variar de país para país.

## SPECIFIKATIONER

Model:	4100KB
Skivediameter	125 mm
Maks. skivetykkelse	2,2 mm
Maks. skærekapacitet	40 mm
Mærkehastighed (n)	12.200 min <sup>-1</sup>
Længde i alt	231 mm
Nettovægt	3,0 kg
Sikkerhedsklasse	□/II

- På grund af vores kontinuerlige forsknings- og udviklingsprogrammer kan hosstående specifikationer blive ændret uden varsel.
- Specifikationer kan variere fra land til land.
- Vægt i henhold til EPTA-procedure 01/2014

### Tilsigtet anvendelse

Maskinen er beregnet til at skære i mursten og beton uden brug af vand.

### Strømforsyning

Maskinen må kun tilsluttes en strømforsyning med samme spænding som angivet på typeskiltet og kan kun anvendes på enfaset vekselstrømforsyning. Den er dobbeltisoleret og kan derfor også tilsluttes netstik uden jordforbindelse.

### For offentlige lavspændingsnet på mellem 220 V og 250 V

Tænd og sluk af elektriske apparater medfører spændingssvingninger. Anvendelse af denne maskine under ugunstige lysnetforsyningsforhold kan have negativ indflydelse på driften af andet udstyr. Ved en netimpedans svarende til eller mindre end 0,37 ohm, kan det antages, at der ikke vil være negative påvirkninger. Stikkontakten, der anvendes til denne maskine, skal være beskyttet med en sikring eller en beskyttelsesafbryder med træg udløsning.

### Lyd

Det typiske A-vægtede støjniveau bestemt i overensstemmelse med EN60745:

Lydtryksniveau ( $L_{pA}$ ) : 96 dB (A)  
 Lydeffektniveau ( $L_{WA}$ ) : 107 dB (A)  
 Usikkerhed (K): 3 dB (A)

**⚠ ADVARSEL: Bær høreværn.**

### Vibration

Vibrationens totalværdi (tre-aksial vektorsum) bestemt i overensstemmelse med EN60745:

Arbejdstilstand: skæring i beton  
 Vibrationsemission ( $a_{h1}$ ): 6,0 m/s<sup>2</sup>  
 Usikkerhed (K): 1,5 m/s<sup>2</sup>

**BEMÆRK:** Den angivne vibrationsemissionsværdier blevet målt i overensstemmelse med standardtestmetoden og kan anvendes til at sammenligne et værktøj med et andet.

**BEMÆRK:** Den angivne vibrationsemissionsværdien kan også anvendes i en præliminær eksponeringsvurdering.

**⚠ ADVARSEL:** Vibrationsemissionen under den faktiske anvendelse af værktøjet kan være forskellig fra den erklærede emissionsværdi, afhængigt af den måde, hvorpå værktøjet anvendes.

**⚠ ADVARSEL:** Sørg for at identificere de sikkerhedsforskrifter til beskyttelse af operatøren, som er baseret på en vurdering af eksponering under de faktiske brugsforhold (med hensyntagen til alle dele i brugscyklussen, f.eks. de gange, hvor værktøjet er slukket, og når det kører i tomgang i tilgift til afbrydertiden).

### EU-overensstemmelseserklæring

#### Kun for lande i Europa

EU-overensstemmelseserklæringen er inkluderet som Bilag A i denne brugsanvisning.

## SIKKERHEDSADVARSLER

### Almindelige sikkerhedsregler for el-værktøj

**⚠ ADVARSEL:** Læs alle de sikkerhedsadvarsler, instruktioner, illustrationer og specifikationer, der følger med denne maskine. Forsømmelse af at overholde alle nedenstående instruktioner kan medføre elektrisk stød, brand og/eller alvorlig personskade.

# Gem alle advarsler og instruktioner til fremtidig reference.

Ordet "el-værktøj" i advarselne henviser til det netforsynede (netledning) el-værktøj eller batteriforsynede (akku) el-værktøj.

## Sikkerhedsadvarsler for skærer

- 1. Den beskyttelsesskærm, der følger med maskinen, skal monteres forsvarligt på maskinen og placeres, så maksimal sikkerhed opnås, således at operatøren er udsat for den mindst mulige del af skiven. De selv og omkringstående må ikke stå i den roterende skives plan. Beskyttelsesskærmen bidrager til at beskytte operatøren mod afbrækkede skivfragmenter og utilsigtet kontakt med skiven.**
- 2. Anvend kun diamantklingskiver til Deres maskine.** Selvom ekstraudstyret kan monteres på maskinen, kan sikker betjening ikke garanteres.
- 3. Tilbehørets mærkehastighed skal mindst være den samme som den maksimale hastighed, som er angivet på maskinen.** Tilbehørsdele, som kører hurtigere end deres mærkehastighed, kan brække og slynges bort.
- 4. Skiver må kun anvendes til de anbefalede formål. For eksempel: Undlad at slibe med siden af afskæringsskiven.** Slibefafsæringsskiver er beregnet til perifer slibning, og hvis disse skiver udsættes for sidetryk, kan de gå i stykker.
- 5. Anvend altid ubeskadigede skiveflanger, som har den rigtige diameter, til den valgte skive.** Korrekte skiveflanger understøtter skiven, hvilket reducerer risikoen for, at skiven brækker.
- 6. Den udvendige diameter og tykkelsen på Deres tilbehør skal være inden for maskinens kapacitetsnormering.** Tilbehør af forkert størrelse kan ikke beskyttes eller kontrolleres på tilstrækkelig vis.
- 7. Skivernes og flangerens dørnstørrelse skal passe nøjagtigt til maskinens spindel.** Skiver og flanger med dørnhuller, som ikke passer til maskinens monteringsdele, vil køre ubalanceret, vibrere kraftigt og kan bevirke, at De mister herredømmet over maskinen.
- 8. Anvend ikke beskadigede skiver. Inden hver brug skal De efterses skiverne for hakker og revner. Hvis maskinen eller skiven har været tabt, skal de efterses for beskadigelse, eller der skal monteres en ubeskadiget skive. Når skiven er eftersat og monteret, skal De og eventuelle omkringstående stille Dem uden for den roterende skives plan og derefter lade maskinen køre ved maksimal hastighed uden belastning i et minut.** Beskadigede skiver vil normalt brække i løbet af denne testperiode.
- 9. Anvend altid personligt beskyttelsesudstyr. Afhængigt af arbejdets art skal De anvende ansigtsmaske, beskyttelsesbriller eller sikkerhedsbriller. Efter behov skal der anvendes støvmaske, høreværn, handsker og beskyttelsesforklæde, som er i stand til at stoppe små fragmenter fra slibeskiven eller arbejdsområdet. Øjenbeskyttelsen skal kunne stoppe flyvende partikler, som frembringes af forskellige betjening. Støvmasken eller åndedrætsværnet skal være i stand til at filtrere partikler, som frembringes under arbejdet. Længere tids udsættelse for støj af høj intensitet kan medføre høreskader.**

- 10. Sørg for at holde omkringstående på en sikker afstand af arbejdsområdet. Enhver person, som befinder sig i arbejdsområdet, skal bære personligt beskyttelsesudstyr.** Fragmenter fra arbejdsområdet eller fra en brækket skive kan slynges af og forårsage personskade uden for det umiddelbare arbejdsområde.
- 11. Hold kun maskinen i dens isolerede grebflader, når De udfører et arbejde, hvor skæretilbehøret kan komme i berøring med skjulte ledninger eller maskinens egen ledning.** Skæretilbehør, der kommer i kontakt med en strømførende ledning, kan gøre blottede metaldele på maskinen strømførende og udgøre en risiko for, at operatøren får elektrisk stød.
- 12. Anbring ledningen på god afstand af roterende tilbehør.** Hvis De mister herredømmet over maskinen, kan ledningen blive skåret over eller sætte sig fast, og Deres hånd eller arm kan blive trukket ind mod den roterende skive.
- 13. Læg ikke maskinen fra Dem, før tilbehøret er helt stoppet.** Den roterende skive kan gribe fat i overfladen og trække maskinen ud af Deres herredømme.
- 14. Lad ikke maskinen køre, mens De bærer den ved siden.** Utilsigtet kontakt med det roterende tilbehør kan bevirke, at det griber fat i Deres tøj og trækker tilbehøret ind mod Deres krop.
- 15. Rengør maskinens ventilationsåbninger med jævne mellemrum.** Motorens ventilator vil suge støv ind i huset, og en stor mængde akkumuleret metalstøv kan forårsage elektrisk fare.
- 16. Anvend ikke maskinen i nærheden af brændbare materialer.** Gnister kan antænde disse materialer.
- 17. Anvend ikke tilbehør, der kræver flydende kølemidler.** Brug af vand eller andre flydende kølemidler kan medføre dødsfald eller elektrisk stød.

### Tilbageslag og relaterede advarsler

Tilbageslag er en pludselig reaktion på en fastklemt eller blokeret roterende skive. Fastklemning eller blokering medfører, at den roterende skive pludseligt stopper, hvilket igen bevirker, at det ukontrollerede værktøj tvinges i den modsatte retning af skivens rotation på det punkt, hvor den sidder fast.

Hvis for eksempel en slibeskive er blokeret eller fastklemt af arbejdsområdet, kan kanten på skiven, som går ind i fastklemningspunktet, grave sig ind i materialets overflade og derved bevirke, at skiven kommer ud eller presses ud. Skiven kan enten slynges mod eller bort fra operatøren, afhængigt af retningen af skivens bevægelse på fastklemningspunktet. Slibeskiver kan også brække under disse forhold.

Tilbageslag er et resultat af misbrug og/eller fejlagtig brug af værktøjet eller ukorrekte brugsforhold og kan undgås ved, at man tager de rigtige forholdsregler som anvist herunder.

- 1. Hold godt fast i værktøjet, og indtag en stilling med kroppen og armen, således at De kan modstå tilbageslagskraften. Anvend altid hjælpehåndtaget, hvis et sådant forefindes, til at opnå den maksimale kontrol med tilbageslag eller torsionsreaktion under starten.** Operatøren kan kontrollere torsionsreaktionen og tilbageslagskraften, hvis de rette forholdsregler tages.
- 2. Anbring ikke hånden i nærheden af det roterende tilbehør.** Tilbehøret kan slå tilbage hen over hånden.
- 3. Stil Dem ikke på linje med den roterende skive.** Et tilbageslag vil slynge værktøjet i den modsatte retning af skivens bevægelse ved blokeringspunktet.

4. Vær særligt forsigtig ved arbejde på hjørner, skarpe kanter osv. Sørg for, at tilbehøret ikke hopper eller sætter sig fast. Hjørner, skarpe kanter eller hoppen har en tendens til at fastklemme det roterende tilbehør med tab af kontrol eller tilbageslag til følge.
5. Lad være med at montere en savkæde, en træskæreklinge, en segmenteret diamantskive med et perifert mellemrum på mere end 10 mm eller en savklinge med tænder. Sådanne klinger er ofte årsag til tilbageslag og tab af herredømmet.
6. Vær påpasselig med ikke at "klemme" skiven eller udsætte den for et ekstremt tryk. Forsøg ikke at udføre en for dyb skæring. Overbelastning af skiven øger belastningen og sandsynligheden for, at skiven vrikker eller binder i snittet, samt risiko for tilbageslag, eller at skiven brækker.
7. Hvis skiven binder, eller hvis en skæring af en eller anden grund afbrydes, skal De slukke for værktøjet og holde det stille, indtil det er stoppet helt. Forsøg aldrig at fjerne skiven fra snittet, mens skiven er i bevægelse, da dette kan medføre tilbageslag. Tag bestik af situationen, og foretag det nødvendige for at eliminere årsagen til, at skiven binder.
8. Påbegynd ikke skæreoperationen igen i arbejdsemnet. Lad skiven komme op på fuld hastighed, og gå derefter forsigtigt ind i snittet igen. Skiven kan binde, bevæge sig opad eller slå tilbage, hvis værktøjet startes igen, mens det befinder sig i arbejdsemnet.
9. Understøt paneler eller store arbejdsemner for at minimere risikoen for, at skiven binder, og der opstår tilbageslag. Store arbejdsemner har tendens til at synke under deres egen vægt. Støtteanordninger skal anbringes under arbejdsemnet i nærheden af snittet og nær kanten på arbejdsemnet på begge sider af skiven.
10. Udvis ekstra forsigtighed, når der laves et "lommensnit" i eksisterende vægge eller i andre blinde områder. Den udragende skive kan komme til at skære i gas- eller vandrør, elektriske ledninger eller genstande, som kan forårsage tilbageslag.
11. Inden anvendelse af en segmenteret diamantskive skal De sørge for, at diamantskiven har et perifert mellemrum mellem segmenterne på 10 mm eller derunder, kun med en negativ rivevinkel.

#### Supplerende sikkerhedsadvarsler:

1. Forsøg aldrig at skære med maskinen holdt på hovedet i en skruestik. Dette kan medføre alvorlige ulykker, da det er yderst farligt.
2. Nogle materialer indeholder kemikalier, som kan være giftige. Vær påpasselig med at forhindre indånding af støv samt hudkontakt. Følg materialeleverandørens sikkerhedsdata.
3. Opbevar skiverne i henhold til fabrikantens anbefalinger. Fejlagtig opbevaring kan beskadige skiverne.

## GEM DISSE FORSKRIFTER.

**ADVARSEL:** LAD IKKE bekvemmelighed eller kendskab til produktet (opnået gennem gentagen brug) forhindre, at sikkerhedsforskrifterne for produktet nøje overholdes. MISBRUG eller forsømmelse af at følge de i denne brugsvejledning givne sikkerhedsforskrifter kan medføre alvorlig personskade.

## FUNKTIONSBESKRIVELSE

**FORSIGTIG:** Kontrollér altid, at maskinen er slået fra, og at netstikket er trukket ud, før der udføres justeringer, eller funktioner kontrolleres på maskinen.

### Justering af skæredybde

**FORSIGTIG:** Spænd altid håndtaget forsvarligt til efter justering af skæredybden.

Løsn håndtaget på dybdeguiden og flyt grundpladen op og ned. Ved den ønskede skæredybde gøres grundpladen fast ved at spænde håndtaget til.

Du opnår renere og sikrere snit ved at indstille skæredybden, så diamantskiven stikker 2 mm eller mindre ud under arbejdsemnet. Brug af den rette skæredybde bidrager til at reducere risikoen for farlige TILBAGESLAG, der kan forårsage personskade.

► Fig.1: 1. Håndtag

### Sigtning

Juster kanten på forsiden af grundpladen i forhold til skærelinjen på arbejdsemnet.

► Fig.2

### Afbryderbetjening

**FORSIGTIG:** Før maskinen sættes i stikkontakten, skal De altid kontrollere, at afbryderknappen fungerer korrekt og returnerer til "OFF"-positionen, når den slippes.

► Fig.3: 1. Afbryderknop 2. Låseknop / Lås fra-knap

### For værktøjer med låseknop

**FORSIGTIG:** Kontakten kan låses i "ON"-stillingen for at gøre det nemmere for brugeren ved længere tids brug af maskinen. Vær forsigtig, når maskinen låses i "ON"-stillingen, og hold godt fast i maskinen.

Værktøjet startes ved blot at trække afbryderknappen. Slip afbryderknappen for at stoppe. For kontinuerlig brug skal De trække afbryderknappen, trykke låseknappen ind og derefter slippe afbryderknappen. For at stoppe værktøjet fra låst position skal De trække knappen helt ind og derefter slippe den.

### For værktøjer med lås fra-knap

For at forhindre utilsigtet tryk på afbryderknappen er værktøjet udstyret med en lås fra-knap. For at starte værktøjet skal De trykke lås fra-knappen ind og trække afbryderknappen. Slip afbryderknappen for at stoppe.

**⚠ ADVARSEL:** Brug **ALDRIG** værktøjet, hvis det kører, når De blot trækker afbryderknappen uden at trykke på lås fra-knappen. En defekt afbryder kan medføre utilsigtet brug og alvorlig personskade. Returnér værktøjet til et Makita servicecenter for korrekt reparation, FØR det anvendes igen.

**⚠ ADVARSEL:** Deaktiver **ALDRIG** lås fra-knappen ved at holde den nede med tape eller på andre måder. En afbryder med en deaktiveret lås fra-knap kan medføre utilsigtet brug og alvorlig personskade.

**⚠ FORSIGTIG:** Undlad at trække hårdt i afbryderknappen uden at trykke på lås fra-knappen. Dette kan medføre, at knappen går i stykker.

## SAMLING

**⚠ FORSIGTIG:** Sørg altid for, at maskinen er slukket og taget ud af forbindelse, inden der udføres nogen form for arbejde på maskinen.

## Opbevaring af unbrakonøgle

Når unbrakonøglen ikke anvendes, skal den opbevares som vist på illustrationen, så den ikke bortkommer.

► Fig.4: 1. Unbrakonøgle

## Afmontering eller montering af diamantskive

**⚠ FORSIGTIG: SØRG FOR AT STRAMME SEKSKANTBOLTEN GODT TIL.** Sørg også for ikke at stramme bolten med magt. Hvis Deres hånd glider af sekskantnøglen, kan det medføre personskade.

**⚠ FORSIGTIG:** Brug kun en Makita-skruenøgle og sekskantnøgle til at montere og afmontere skiven.

Hold den udvendige flange med skruenøglen, og løs sekskantboltens ved hjælp af sekskantnøglen. Fjern derefter sekskantboltens, den udvendige flange og diamantskiven.

► Fig.5: 1. Sekskantnøgle 2. Sekskantbolt  
3. Skruenøgle 22 4. Løsn 5. Stram

Følg proceduren til afmontering i omvendt rækkefølge for at montere diamantskiven. Monter altid skiven, så pilen på diamantskiven peger i samme retning som pilen på gearhuset.

► Fig.6: 1. Sekskantbolt 2. Udvendig flange  
3. Diamantskive 4. Indvendig flange  
5. Bægerskive

## Støvpose

Brug af støvposen giver rene skæreoperationer og gør det let at opsamle støv. Støvposen monteres ved at sætte den på støvåbningen.

► Fig.7: 1. Støvpose 2. Støvåbning

Halsen af støvåbningen roterer frit. Placer støvposen, så du kan betjene maskinen komfortabelt.

► Fig.8

Når støvposen er cirka en tredjedel fyldt, tages den af maskinen, og lukkeskinnen trækkes ud. Tøm støvposen, og bank let på den, så de støvpartikler, der har samlet sig på de indvendige flader, og som kan reducere effektiviteten af støvsopsamlingen, fjernes.

► Fig.9: 1. Lukkeskinne

## Tilslutning af støvsugeren

Hvis du ønsker at udføre en ren skæreoperation, skal du tilslutte en Makita-støvsuger til maskinen.

► Fig.10: 1. Støvsugerens slange 2. Støvåbning

## ANVENDELSE

**⚠ FORSIGTIG: DETTE VÆRKTØJ BØR KUN BRUGES PÅ VANDRETTE OVERFLADER.**

**⚠ FORSIGTIG:** Sørg for at bevæge værktøjet fremad i en lige linje og med forsigtighed. Tvang eller udøvelse af et ekstremt tryk, eller hvis skiven får lov til at bøje, sætte sig fast eller vrikke i snittet, kan føre til overophedning af motoren eller farligt tilbageslag af værktøjet.

Hold godt fast i maskinen. Sæt grundpladen mod det arbejdsemne, der skal skæres i, uden at diamantskiven kommer i kontakt. Tænd derefter for maskinen, og vent, indtil diamantskiven når fuld hastighed. Flyt nu ganske enkelt maskinen fremad hen over arbejdsemnets overflade, idet den holdes fladt og flyttes jævnt frem, indtil skæringen er færdig. Hold skærelinjen lige, og flyt fremad med jævn hastighed.

► Fig.11

## VEDLIGEHOOLDELSE

**⚠ FORSIGTIG:** Kontrollér altid, at der er slukket for maskinen, og at netstikket er trukket ud, før der udføres eftersyn eller vedligeholdelse.

**BEMÆRKNING:** Anvend aldrig benzin, rensebenzin, fortynder, alkohol og lignende. Det kan medføre misfarvning, deformering eller revner.



## Slibning af diamantskiven

Hvis diamantskivens skæring aftager, skal du bruge en gammel og kasseret, grovkornet bænkslibeskive eller en betonklods til at slibe diamantskiven. Du gør dette ved forsvarligt at fastgøre bænkslibeskiven eller betonklodsens og skære i den.

## Efter brug

Fjern støvet inde i værktøjet ved at lade værktøjet køre i tomgang i et stykke tid. Børst ansamling af støv på grundpladen bort. Ansamling af støv i motoren eller på grundpladen kan bevirke, at værktøjet ikke fungerer, som det skal.

## Udskiftning af kulbørster

Kontrollér kulbørsterne med regelmæssige mellemrum. Udskift dem, når de er slidt ned til slidgrænsen. Hold kulbørsterne rene og i stand til frit at glide ind i holderne. Begge kulbørster skal udskiftes parvist samtidigt. Anvend kun identiske kulbørster.

► **Fig.12: 1.** Slidmarkering

Benyt en skruetrækker til at fjerne kulholderdækslerne. Tag de slidte kulbørster ud, sæt de nye i, og fastgør kulholderdækslerne.

► **Fig.13: 1.** Skruetrækker **2.** Kulholderdæksel

For at opretholde produktets SIKKERHED og PÅLIDELIGHED må reparation, vedligeholdelse eller justering kun udføres af et autoriseret Makita servicecenter eller fabrikksservicecenter med anvendelse af Makita reservedele.

## EKSTRAUDSTYR

**⚠FORSIGTIG:** Det følgende tilbehør og ekstraudstyr er anbefalet til brug med Deres Makita maskine, der er beskrevet i denne brugsanvisning. Anvendelse af andet tilbehør eller ekstraudstyr kan udgøre en risiko for personskade. Anvend kun tilbehør og ekstraudstyr til det beskrevne formål.

Hvis De behøver hjælp ved valg af tilbehør eller ønsker yderligere informationer, bedes De kontakte Deres lokale Makita servicecenter.

- Diamantskiver (tør type)
- Skrueøgler 22
- Sekskantnøgler
- Styreskinne
- Styreskinneadapter
- Beskyttelsesbriller

**BEMÆRK:** Nogle ting på denne liste kan være inkluderet i værktøjspakken som standardtilbehør. Det kan være forskellige fra land til land.

## ΠΡΟΔΙΑΓΡΑΦΕΣ

<b>Μοντέλο:</b>	<b>4100KB</b>
Διάμετρος τροχού	125 mm
Μέγιστο πάχος τροχού	2,2 mm
Μέγιστη ικανότητα κοπής	40 mm
Ονομαστική ταχύτητα (n)	12.200 min <sup>-1</sup>
Ολικό μήκος	231 mm
Καθαρό βάρος	3,0 kg
Κατηγορία ασφάλειας	▣/II

- Λόγω του συνεχόμενου προγράμματος που εφαρμόζουμε για έρευνα και ανάπτυξη, τα τεχνικά χαρακτηριστικά στο παρόν έντυπο υπόκεινται σε αλλαγή χωρίς προειδοποίηση.
- Τα τεχνικά χαρακτηριστικά μπορεί να διαφέρουν από χώρα σε χώρα.
- Βάρος σύμφωνα με διαδικασία ΕΡΤΑ 01/2014

### Προοριζόμενη χρήση

Το εργαλείο προορίζεται για κοπή τούβλων και σκυροδέματος χωρίς χρήση νερού.

### Ηλεκτρική παροχή

Το εργαλείο πρέπει να συνδέεται μόνο με ηλεκτρική παροχή της ίδιας τάσης με αυτή που αναγράφεται στην πινακίδα ονομαστικών τιμών και μπορεί να λειτουργήσει μόνο με εναλλασσόμενο μονοφασικό ρεύμα. Υπάρχει διπλή μόνωση και κατά συνέπεια, μπορεί να γίνει σύνδεση σε ακροδέκτες χωρίς σύρμα γείωσης.

### Για δημόσια συστήματα διανομής ηλεκτρικού ρεύματος χαμηλής τάσης μεταξύ 220 V και 250 V

Η αλλαγή λειτουργιών ηλεκτρικής συσκευής προκαλεί διακυμάνσεις τάσης. Η λειτουργία αυτής της συσκευής κάτω από άσχημες συνθήκες παροχής ηλεκτρικού ρεύματος μπορεί να έχει δυσμενή αποτελέσματα στη λειτουργία άλλου εξοπλισμού. Με μια σύνθετη αντίσταση ίση ή μικρότερη από 0,37 Ω, μπορεί να θεωρηθεί πιθανό ότι δεν θα προκύψουν αρνητικά αποτελέσματα. Η υποδοχή παροχής ρεύματος για την συσκευή αυτή πρέπει να προστατεύεται από μια ασφάλεια ή ένα προστατευτικό κύκλωμα διακόπτη που να έχει αργά χαρακτηριστικά αποσύνδεσης.

### Θόρυβος

Το τυπικό Α επίπεδο καταμετρημένου θορύβου καθορίζεται σύμφωνα με το EN60745:  
Στάθμη ηχητικής πίεσης (L<sub>PA</sub>): 96 dB (A)  
Στάθμη ηχητικής ισχύος (L<sub>WA</sub>): 107 dB (A)  
Αβεβαιότητα (K): 3 dB (A)

**▲ΠΡΟΕΙΔΟΠΟΙΗΣΗ: Να φοράτε ωτοασπίδες.**

### Κραδασμός

Η ολική τιμή δόνησης (άθροισμα τρι-αξονικού διανύσματος) καθορίζεται σύμφωνα με το EN60745:  
Είδος εργασίας: κοπή σε τσιμέντο  
Εκπομπή δόνησης (a<sub>h</sub>): 6,0 m/s<sup>2</sup>  
Αβεβαιότητα (K): 1,5 m/s<sup>2</sup>

**ΠΑΡΑΤΗΡΗΣΗ:** Η δηλωμένη τιμή εκπομπής κραδασμών έχει μετρηθεί σύμφωνα με την πρότυπη μέθοδο δοκιμής και μπορεί να χρησιμοποιηθεί για τη σύγκριση ενός εργαλείου με άλλο.

**ΠΑΡΑΤΗΡΗΣΗ:** Η δηλωμένη τιμή εκπομπής κραδασμών μπορεί να χρησιμοποιηθεί και στην προκαταρκτική αξιολόγηση έκθεσης.

**▲ΠΡΟΕΙΔΟΠΟΙΗΣΗ:** Η εκπομπή κραδασμών κατά τη χρήση του ηλεκτρικού εργαλείου σε πραγματικές συνθήκες μπορεί να διαφέρει από τη δηλωμένη τιμή εκπομπής ανάλογα με τον τρόπο χρήσης του εργαλείου.

**▲ΠΡΟΕΙΔΟΠΟΙΗΣΗ:** Φροντίστε να λάβετε τα κατάλληλα μέτρα προστασίας του χειριστή βάσει ενός υπολογισμού της έκθεσης σε πραγματικές συνθήκες χρήσης (λαμβάνοντας υπόψη όλες τις συνιστώσες του κύκλου λειτουργίας όπως τους χρόνους που το εργαλείο είναι εκτός λειτουργίας και όταν βρίσκεται σε αδρανή λειτουργία πέραν του χρόνου ενεργοποίησης).

### Δήλωση συμμόρφωσης ΕΚ

**Μόνο για χώρες της Ευρώπης**

Η δήλωση συμμόρφωσης ΕΚ περιλαμβάνεται ως Παράρτημα Α στο παρόν εγχειρίδιο οδηγιών.

# ΠΡΟΕΙΔΟΠΟΙΗΣΕΙΣ ΑΣΦΑΛΕΙΑΣ

## Γενικές προειδοποιήσεις ασφαλείας για το ηλεκτρικό εργαλείο

**▲ ΠΡΟΕΙΔΟΠΟΙΗΣΗ:** Διαβάστε όλες τις προειδοποιήσεις ασφαλείας, οδηγίες, εικονογραφίες και προδιαγραφές που παρέχονται με αυτό το ηλεκτρικό εργαλείο. Η μη τήρηση όλων των οδηγιών που αναγράφονται κατωτέρω μπορεί να καταλήξει σε ηλεκτροπληξία, πυρκαγιά ή/και σοβαρό τραυματισμό.

## Φυλάξτε όλες τις προειδοποιήσεις και τις οδηγίες για μελλοντική παραπομπή.

Στις προειδοποιήσεις, ο όρος «ηλεκτρικό εργαλείο» αναφέρεται σε ηλεκτρικό εργαλείο που τροφοδοτείται από την κύρια παροχή ηλεκτρικού ρεύματος (με ηλεκτρικό καλώδιο) ή σε ηλεκτρικό εργαλείο που τροφοδοτείται από μπαταρία (χωρίς ηλεκτρικό καλώδιο).

## Προειδοποιήσεις ασφαλείας κόπτη

- 1. Το προστατευτικό που παρέχεται με το εργαλείο πρέπει να είναι συνδεδεμένο με ασφάλεια στο ηλεκτρικό εργαλείο και τοποθετημένο για μέγιστη ασφάλεια, με τρόπο ώστε το μικρότερο δυνατό μέρος του τροχού να είναι εκτεθειμένο προς το χειριστή. Εσείς και οι παρευρισκόμενοι να στέκεστε μακριά από το επίπεδο περιστροφής του τροχού.** Το προστατευτικό βοηθάει στην προστασία του χειριστή από σπασμένα κομμάτια τροχού και τυχαία επαφή με τον τροχό.
- 2. Να χρησιμοποιείτε μόνο διαμαντένιους τροχούς αποκοπής για το ηλεκτρικό εργαλείο σας.** Η χρήση ενός εξαρτήματος απλά και μόνον επειδή μπορεί να προσαρμοστεί στο ηλεκτρικό εργαλείο, δεν διασφαλίζει την ασφαλή λειτουργία του.
- 3. Η ονομαστική ταχύτητα του εξαρτήματος πρέπει να είναι τουλάχιστον ίση με τη μέγιστη ταχύτητα που αναγράφεται στο ηλεκτρικό εργαλείο.** Εξαρτήματα τα οποία περιστρέφονται ταχύτερα από την ονομαστική ταχύτητά τους μπορεί να υποστούν θραύση και τα θραύσματα να εκτιναχθούν στον περιβάλλοντα χώρο.
- 4. Οι τροχοί πρέπει να χρησιμοποιούνται μόνο στις προβλεπόμενες εφαρμογές. Για παράδειγμα: μη λειανίετε με την πλευρική επιφάνεια του τροχού αποκοπής.** Οι λειανικοί τροχοί κοπής προορίζονται για περιφερειακό τρόχισμα. Η εφαρμογή πλευρικών δυνάμεων σε αυτούς τους τροχούς μπορεί να προκαλέσει τη θραύση τους.
- 5. Να χρησιμοποιείτε πάντα φλάντζες τροχών που δεν έχουν υποστεί ζημία και είναι κατάλληλης διαμέτρου για τον επιλεγμένο τροχό.** Οι κατάλληλες φλάντζες τροχών υποστηρίζουν τους τροχούς και μειώνουν επομένως την πιθανότητα θραύσης τους.
- 6. Η εξωτερική διάμετρος και το πάχος του εξαρτήματος πρέπει να είναι εντός της ονομαστικής ικανότητας του ηλεκτρικού εργαλείου.** Σε εξαρτήματα εσφαλμένου μεγέθους δεν είναι εφικτή η παροχή επαρκούς προστασίας ή ελέγχου.
- 7. Το μέγεθος της σπής προσαρμογής σε άξονα των τροχών και των φλάντζων πρέπει να ταιριάζει απολύτως στον άξονα μετάδοσης κίνησης του ηλεκτρικού εργαλείου.** Τροχοί και φλάντζες με σπές προσαρμογής οι οποίες δεν ταιριάζουν απολύτως στο εξάρτημα στερέωσης του ηλεκτρικού εργαλείου θα παρουσιάσουν υποβαθμισμένη ζυγοστάθμιση και υπερβολικούς κραδασμούς, ενδεχομένως και απώλεια ελέγχου.
- 8. Μην χρησιμοποιείτε τροχούς που έχουν υποστεί ζημία. Πριν από κάθε χρήση, επιθεωρήστε τους τροχούς για τεμαχίδια που λείπουν και ρωγμές. Σε περίπτωση πτώσης του ηλεκτρικού εργαλείου ή του τροχού, επιθεωρήστε για τυχόν ζημία ή τοποθετήστε έναν τροχό που δεν έχει υποστεί ζημία. Μετά από τον έλεγχο και την τοποθέτηση του τροχού, σταθείτε εσείς και οι παρευρισκόμενοι σε κατάλληλη θέση μακριά από το επίπεδο περιστροφής του τροχού και αφήστε το ηλεκτρικό εργαλείο σε λειτουργία στη μέγιστη ταχύτητα περιστροφής χωρίς φορτίο, για ένα λεπτό. Συνήθως, οι τροχοί που έχουν υποστεί ζημία διαλύονται, εντός του συγκεκριμένου χρόνου δοκιμής.**
- 9. Να φοράτε εξοπλισμό ατομικής προστασίας. Ανάλογα με την εφαρμογή, να χρησιμοποιείτε προσωπικά προστασίας, προστατευτικά γυαλιά-προσωπίδες ή γυαλιά προστασίας. Όταν απαιτείται, να φοράτε μάσκα σκόνης, προστατευτικά ακοής, γάντια και ποδιά συνεργείου ικανά να παρέχουν προστασία από τα εκτινασόμενα μικρά θραύσματα του λειαντικού μέσου ή του τεμαχίου εργασίας.** Τα προστατευτικά ματιών πρέπει να είναι ικανά να σταματήσουν τυχόν εκτινασόμενα θραύσματα που δημιουργούνται κατά την εκτέλεση διαφόρων εργασιών. Η μάσκα σκόνης ή η αναπνευστική συσκευή πρέπει να είναι ικανές να φιλτράρουν τα σωματίδια που δημιουργούνται κατά την εκτέλεση των εργασιών σας. Η παρατεταμένη έκθεση σε θόρυβο υψηλής έντασης μπορεί να προκαλέσει απώλεια ακοής.
- 10. Φροντίστε ώστε οι παρευρισκόμενοι να βρίσκονται σε ασφαλή απόσταση από τη θέση εργασίας. Οποιοσδήποτε εισέρχεται στο χώρο εργασίας πρέπει να φορά εξοπλισμό ατομικής προστασίας.** Θραύσματα του τεμαχίου εργασίας ή ενός τροχού που έχει υποστεί θραύση μπορεί να εκτιναχθούν και να προκαλέσουν τραυματισμό πέραν των ορίων του άμεσου χώρου εκτέλεσης εργασιών.
- 11. Να κρατάτε το ηλεκτρικό εργαλείο μόνο από τις μονωμένες λαβές κατά την εκτέλεση εργασίας όπου το εξάρτημα κοπής μπορεί να έρθει σε επαφή με κρυμμένα καλώδια ή με το δικό του καλώδιο τροφοδοσίας. Σε περίπτωση επαφής του εξαρτήματος κοπής με ηλεκτροφόρο καλώδιο, μπορεί να εκτεθειμένα μεταλλικά εξαρτήματα του ηλεκτρικού εργαλείου να καταστούν τα ίδια ηλεκτροφόρα και να προκαλέσουν ηλεκτροπληξία στο χειριστή.**

12. **Κρατήστε το καλώδιο τροφοδοσίας μακριά από το περιστρεφόμενο εξάρτημα.** Εάν χάσετε τον έλεγχο, το καλώδιο τροφοδοσίας μπορεί να κοπεί ή να εμπλακεί και το χέρι ή ο βραχιονός σας μπορεί να τραβηχτεί προς τον περιστρεφόμενο τροχό.
13. **Μην αφήνετε ποτέ το ηλεκτρικό εργαλείο κάτω, πριν σταματήσει πλήρως η περιστροφή του εξαρτήματος.** Ο περιστρεφόμενος τροχός μπορεί να εμπλακεί στην επιφάνεια και να τραβήξει το ηλεκτρικό εργαλείο εκτός του ελέγχου σας.
14. **Μη θέσετε το ηλεκτρικό εργαλείο σε λειτουργία, ενώ το μεταφέρετε στο πλάι σας.** Η τυχαία επαφή με το περιστρεφόμενο εξάρτημα μπορεί να προκαλέσει πιάσιμο στα ρούχα σας και να τραβήξει το εξάρτημα μέσα στο σώμα σας.
15. **Να καθαρίζετε τακτικά τις σπές αερισμού του ηλεκτρικού εργαλείου.** Ο ανεμιστήρας του μοτέρ προκαλεί αναρρόφηση της σκόνης στο εσωτερικό του περιβλήματος και η υπερβολική συσσώρευση κοινοροποιημένου μετάλλου μπορεί να εγκυμονεί ηλεκτρικούς κινδύνους.
16. **Μην χειρίζεστε το ηλεκτρικό εργαλείο κοντά σε εύφλεκτα υλικά.** Οι σπινθήρες μπορεί να προκαλέσουν ανάφλεξη των συγκεκριμένων υλικών.
17. **Μη χρησιμοποιείτε εξαρτήματα που απαιτούν υγρά ψυκτικά.** Η χρήση νερού ή άλλων υγρών ψυκτικών μπορεί να καταλήξει σε ηλεκτροπληξία ή σοκ.
3. **Μην ευθυγραμμίζετε το σώμα σας με τον περιστρεφόμενο τροχό.** Το κλότσημα ωθεί το εργαλείο σε κατεύθυνση αντίθετη από εκείνη της κίνησης του τροχού στο σημείο σκάλωματος.
4. **Δώστε ιδιαίτερη προσοχή όταν εργάζεστε σε γωνίες, κοφτερές ακμές, κλπ. Να αποφεύγετε την αναπήδηση και το σκάλωμα που εξαρτήματα.** Οι γωνίες, οι κοφτερές ακμές ή η αναπήδηση έχουν την τάση να προκαλούν σκάλωμα του περιστρεφόμενου εξαρτήματος και απώλεια ελέγχου ή κλότσημα.
5. **Μην προσαρμόζετε αλυσοπρίονο, λεπίδα ξυλογλυπτικής, τμηματικό διαμαντοτροχό με περιφερειακό κενό μεγαλύτερο από 10 mm ή οδοντωτή λεπίδα πριονιού.** Οι λεπίδες αυτού του τύπου προκαλούν συχνά κλότσημα και απώλεια ελέγχου.
6. **Μην προκαλείτε «μάγκωμα» του τροχού και μην ασκείτε υπερβολική πίεση. Μην επιχειρείτε να δημιουργήσετε τομή υπερβολικού βάθους.** Η άσκηση υπερβολικής δύναμης στον τροχό αυξάνει το φορτίο και τη δεκτικότητα σε συστροφή ή εμπλοκή του τροχού εντός της τομής και την πιθανότητα κλοστήματος ή θραύσης του τροχού.
7. **Σε περίπτωση εμπλοκής του τροχού ή διακοπής της εργασίας για τη δημιουργία τομής για οποιοδήποτε λόγο, απενεργοποιήστε το ηλεκτρικό εργαλείο και κρατήστε το ακίνητο, έως ότου ο τροχός ακινητοποιηθεί πλήρως. Μην επιχειρήσετε ποτέ να αφαιρέσετε τον τροχό από την τομή, ενώ ο τροχός κινείται, επειδή μπορεί να παρουσιαστεί κλότσημα.** Ερευνήστε και λάβετε διορθωτικά μέτρα για να εξαλειφθεί η αιτία εμπλοκής του τροχού.

#### **Κλότσημα και σχετικές προειδοποιήσεις**

Το κλότσημα είναι μια ξαφνική αντίδραση λόγω σύσφιξης ή σκάλωματος του περιστρεφόμενου τροχού. Η σύσφιξη ή το σκάλωμα προκαλεί ταχεία απώλεια ελέγχου του περιστρεφόμενου τροχού ο οποίος στη συνέχεια υποχωρεί να ανεξέλεγκτο ηλεκτρικό εργαλείο σε περιστροφή προς την αντίθετη κατεύθυνση από εκείνη του τροχού στο σημείο εμπλοκής.

Για παράδειγμα, εάν ένας λειαντικός τροχός περιέλθει σε σύσφιξη ή σκάλωμα στο τεμάχιο εργασίας, η ακμή του τροχού που εισέρχεται στο σημείο σύσφιξης μπορεί να σκάψει την επιφάνεια του υλικού προκαλώντας την αναπήδηση ή το κλότσημα του τροχού. Ο τροχός μπορεί να αναπηδήσει προς το μέρος του χειριστή ή αντίθετα να απομακρυνθεί από αυτόν, ανάλογα με τη φορά περιστροφής του τροχού στο σημείο σύσφιξης. Υπό αυτές τις συνθήκες, οι λειαντικοί τροχοί μπορεί επίσης να υποστούν θραύση.

Το κλότσημα είναι αποτέλεσμα κακής χρήσης ή/και εσφαλμένων διαδικασιών ή συνθηκών χειρισμού και είναι δυνατόν να αποφευχθεί λαμβάνοντας κατάλληλες προφυλάξεις, όπως περιγράφονται κατωτέρω.

1. **Κρατήστε σταθερά το ηλεκτρικό εργαλείο και τοποθετήστε το σώμα και το βραχιονό σας σε κατάλληλη θέση, ώστε να είναι δυνατόν να προβάλλετε αντίσταση στις δυνάμεις κλοστήματος. Να χρησιμοποιείτε πάντα βοηθητική λαβή, εάν παρέχεται, για μέγιστο βαθμό ελέγχου του κλοστήματος ή της ροπής αντίδρασης κατά την εκκίνηση.** Ο χειριστής μπορεί να ελέγξει τις ροπές αντίδρασης ή τις δυνάμεις κλοστήματος, εάν λαμβάνονται οι κατάλληλες προφυλάξεις.
2. **Μην πλησιάζετε ποτέ το χέρι σας κοντά στο περιστρεφόμενο εξάρτημα.** Το εξάρτημα μπορεί να αναπηδήσει πάνω στο χέρι σας.
9. **Να στηρίζετε τα πάνελ ή οποιοδήποτε υπερμέγεθες τεμάχιο εργασίας, ώστε να ελαχιστοποιηθεί ο κίνδυνος σύσφιξης και κλοστήματος του τροχού.** Τα μεγάλα τεμάχια εργασίας τείνουν να παρουσιάζουν κάμψη προς τα κάτω λόγω του βάρους τους. Πρέπει να τοποθετούνται υποστηρίγματα κάτω από το τεμάχιο εργασίας κοντά στη γραμμική κοπή και κοντά στο άκρο του τεμαχίου εργασίας και στις δύο πλευρές του τροχού.
10. **Να είστε ιδιαίτερα προσεκτικοί όταν δημιουργείτε μια «τομή-κοιλότητα» σε υπάρχοντες τοίχους ή άλλες τυφλές περιοχές.** Ο προεξέχων τροχός μπορεί να κόψει σωλήνες αερίου ή ύδρευσης, ηλεκτρικές καλωδιώσεις ή αντικείμενα που μπορούν να προκαλέσουν κλότσημα.
11. **Πριν χρησιμοποιήσετε τμηματικό διαμαντοτροχό, βεβαιωθείτε ότι ο διαμαντοτροχός έχει περιφερειακό κενό μεταξύ των τμημάτων ίσο με 10 mm ή μικρότερο, μόνο με ανωνική γωνία κοπής.**

Πρόσθετες προειδοποιήσεις ασφάλειας:

1. Μην επιχειρήσετε ποτέ να κόψετε με το εργαλείο στερεωμένο ανάποδα σε μια μέγερνη. Αυτό μπορεί να προκαλέσει σοβαρά ατυχήματα επειδή είναι εξαιρετικά επικίνδυνο.
2. Μερικά υλικά περιέχουν χημικά που μπορεί να είναι τοξικά. Προσέχετε ώστε να αποφεύγετε την εισπνοή σκόνης και την επαφή με το δέρμα. Ακολουθείτε τα δεδομένα ασφάλειας υλικού που παρέχονται από τον προμηθευτή.
3. Αποθηκεύστε τους τροχούς σύμφωνα με τις συστάσεις του κατασκευαστή. Η λανθασμένη αποθήκευση μπορεί να προκαλέσει ζημιά στους τροχούς.

## ΦΥΛΑΞΕΤΕ ΑΥΤΕΣ ΤΙΣ ΟΔΗΓΙΕΣ.

**▲ΠΡΟΕΙΔΟΠΟΙΗΣΗ:** ΜΗΝ επιτρέψετε στην άνεση ή στην εξοικείωσή σας με το προϊόν (που αποκτήθηκε από επανειλημμένη χρήση) να αντικαταστήσει την αυστηρή τήρηση των κανόνων ασφαλείας του παρόντος εργαλείου. Η ΛΑΝΘΑΣΜΕΝΗ ΧΡΗΣΗ ή η αμέλεια να ακολουθήσετε τους κανόνες ασφαλείας που διατυπώνονται στο παρόν εγχειρίδιο οδηγιών μπορεί να προκαλέσει σοβαρό προσωπικό τραυματισμό.

## ΠΕΡΙΓΡΑΦΗ ΛΕΙΤΟΥΡΓΙΑΣ

**▲ΠΡΟΣΟΧΗ:** Να βεβαιώνεστε πάντα ότι το εργαλείο είναι σβηστό και αποσυνδεδεμένο από την ηλεκτρική παροχή πριν ρυθμίσετε ή ελέγχετε κάποια λειτουργία του.

## Ρύθμιση του βάθους κοπής

**▲ΠΡΟΣΟΧΗ:** Μόλις ρυθμίσετε το βάθος κοπής, να σφίγγετε πάντα το μοχλό.

Ξεσφίξτε το μοχλό στον οδηγό βάθους και μετακινήστε τη βάση πάνω ή κάτω. Στο επιθυμητό βάθος κοπής, ασφαλίστε τη βάση σφίγγοντας το μοχλό. Για καθαρότερη και ασφαλέστερη κοπή, ρυθμίστε το βάθος κοπής ώστε ο διαμαντοτροχός να προεξέχει 2 mm ή λιγότερο κάτω από το τεμάχιο εργασίας. Η χρήση κατάλληλου βάθους κοπής συμβάλλει στη μείωση της πιθανότητας επικίνδυνου ΚΛΟΤΣΗΜΑΤΟΣ που μπορεί να προκαλέσει τραυματισμό.

► **Εικ.1:** 1. Μοχλός

## Σκόπευση

Ευθυγραμμίστε την άκρη του μπροστινού μέρους της βάσης με τη γραμμή κοπής στο τεμάχιο εργασίας.

► **Εικ.2**

## Δράση διακόπτη

**▲ΠΡΟΣΟΧΗ:** Πριν από τη σύνδεση του εργαλείου στην ηλεκτρική παροχή, να ελέγχετε πάντα ότι η σκανδάλη διακόπτης ενεργοποιείται σωστά και επιστρέφει στη θέση «OFF» όταν την αφήνετε.

► **Εικ.3:** 1. Σκανδάλη διακόπτης 2. Κουμπί ασφαλίσης / Κουμπί κλειδώματος

## Για εργαλείο με κουμπί ασφαλίσης

**▲ΠΡΟΣΟΧΗ:** Ο διακόπτης μπορεί να ασφαλιστεί στη θέση «ENERGO» για πιο άνετη λειτουργία από το χρήστη κατά τη διάρκεια παρατεταμένης χρήσης. Να είστε προσεκτικοί όταν ασφαλίσετε το εργαλείο στη θέση «ENERGO» και να κρατάτε το εργαλείο σταθερά.

Για να ξεκινήσετε το εργαλείο, απλώς τραβήξτε τη σκανδάλη διακόπτη. Για διακοπή της λειτουργίας, ελευθερώστε τη σκανδάλη διακόπτη. Για συνεχόμενη λειτουργία, τραβήξτε τη σκανδάλη διακόπτη, πατήστε το κουμπί ασφαλίσης και μετά αφήστε τη σκανδάλη διακόπτη. Για να σταματήσετε το εργαλείο από την κλειδωμένη θέση, τραβήξτε πλήρως τη σκανδάλη διακόπτη και κατόπιν αφήστε την.

## Για εργαλείο με κουμπί κλειδώματος

Για να μην πιέζεται η σκανδάλη διακόπτης κατά λάθος, παρέχεται ένα κουμπί κλειδώματος. Για να ξεκινήσετε τη λειτουργία του εργαλείου, πατήστε το κουμπί κλειδώματος και πατήστε τη σκανδάλη διακόπτη. Για διακοπή της λειτουργίας, ελευθερώστε τη σκανδάλη διακόπτη.

**▲ΠΡΟΕΙΔΟΠΟΙΗΣΗ:** Μη χρησιμοποιείτε ΠΟΤΕ το εργαλείο αν μπορείτε να το θέσετε σε λειτουργία πιέζοντας απλά τη σκανδάλη διακόπτη, χωρίς να τραβάτε και το κουμπί κλειδώματος. Ένας διακόπτης που απαιτεί επισκευή μπορεί να προκαλέσει ακούσια λειτουργία και σοβαρό ατομικό τραυματισμό. Στείλτε το εργαλείο σε κέντρο εξυπηρέτησης της Makita για να το επισκευάσουν σωστά ΠΡΙΝ το χρησιμοποιήσετε ξανά.

**▲ΠΡΟΕΙΔΟΠΟΙΗΣΗ:** Μην παρακάμψετε ΠΟΤΕ το κουμπί κλειδώματος συγκρατώντας το πιεσμένο με αυτοκόλλητη ταινία ή άλλο μέσο. Ένας διακόπτης με παραβιασμένο κουμπί κλειδώματος μπορεί να προκαλέσει ακούσια λειτουργία και σοβαρό ατομικό τραυματισμό.

**▲ΠΡΟΣΟΧΗ:** Μην τραβήξετε τη σκανδάλη διακόπτη δυνατά χωρίς να πατήσετε το κουμπί κλειδώματος. Μπορεί να σπάσει ο διακόπτης.

## ΣΥΝΑΡΜΟΛΟΓΗΣΗ

**▲ΠΡΟΣΟΧΗ:** Να βεβαιώνετε πάντα ότι το εργαλείο είναι σβηστό και αποσυνδεδεμένο από την ηλεκτρική παροχή πριν εκτελέσετε οποιαδήποτε εργασία σε αυτό.

### Φύλαξη εξαγωνικού κλειδιού

Όταν δεν χρησιμοποιείτε το εξαγωνικό κλειδί, αποθηκεύστε το όπως απεικονίζεται, για να μην το χάσετε.

► **Εικ.4:** 1. Εξαγωνικό κλειδί

### Αφαίρεση ή τοποθέτηση του διαμαντοτροχού

**▲ΠΡΟΣΟΧΗ:** ΒΕΒΑΙΩΘΕΙΤΕ ΝΑ ΣΦΙΞΕΤΕ ΚΑΛΑ ΤΟ ΕΞΑΓΩΝΙΚΟ ΜΠΟΥΛΟΝΙ. Επίσης, να προσέχετε να μην σφίξετε το μπουλόνι με δύναμη. Αν το χέρι σας γλιστρήσει από το εξαγωνικό κλειδί, μπορεί να προκληθεί ατομικός τραυματισμός.

**▲ΠΡΟΣΟΧΗ:** Να χρησιμοποιείτε μόνο το κλειδί και το εξαγωνικό κλειδί της Makita για την τοποθέτηση και αφαίρεση του τροχού.

Κρατήστε την εξωτερική φλάντζα με το κλειδί και ξεσφίξτε το εξαγωνικό μπουλόνι με το εξαγωνικό κλειδί. Στη συνέχεια, αφαιρέστε το εξαγωνικό μπουλόνι, την εξωτερική φλάντζα και το διαμαντοτροχό.

► **Εικ.5:** 1. Εξαγωνικό κλειδί 2. Εξαγωνικό μπουλόνι 3. Κλειδί 22 4. Ξεσφίξτε 5. Σφίξτε

Για να τοποθετήσετε το διαμαντοτροχό, ακολουθήστε τη διαδικασία αφαίρεσης με αντίστροφη σειρά. Να τοποθετείτε πάντα τον τροχό ώστε το βέλος στο διαμαντοτροχό να είναι στραμμένο προς την ίδια κατεύθυνση με το βέλος στο περίβλημα γκρανάζιου.

► **Εικ.6:** 1. Εξαγωνικό μπουλόνι 2. Εξωτερική φλάντζα 3. Διαμαντοτροχός 4. Εσωτερική φλάντζα 5. Ροδέλα κυπελλάκι

## Σάκος σκόνης

Η χρήση του σάκου σκόνης καθιστά καθαρές τις λειτουργίες κοπής και εύκολη τη συλλογή της σκόνης. Για να συνδέσετε το σάκο σκόνης, προσαρμόστε το πάνω στο στόμιο απαγωγής σκόνης.

► **Εικ.7:** 1. Σάκος σκόνης 2. Στόμιο απαγωγής σκόνης

Ο λαίμος του στομιού απαγωγής σκόνης περιστρέφεται ελεύθερα. Τοποθετήστε τον σάκο σκόνης με τρόπο ώστε να μπορείτε να χρησιμοποιείτε το εργαλείο άνετα.

► **Εικ.8**

Όταν ο σάκος σκόνης είναι γεμάτος κατά το ένα τρίτο, αφαιρέστε τον σάκο σκόνης από το εργαλείο και τραβήξτε τον προσδετήρα έξω. Αδειάστε τα περιεχόμενα του σάκου σκόνης, χτυπώντας τον ελαφριά για να αφαιρέσετε τα σωματίδια που υπάρχουν προσκολλημένα στο εσωτερικό που μπορεί να εμποδίζουν τη συλλογή.

► **Εικ.9:** 1. Προσδετήρας

## Σύνδεση της ηλεκτρικής σκούπας

Όταν θέλετε να εκτελέσετε κοπές καθαρά, συνδέστε την ηλεκτρική σκούπα της Makita στο εργαλείο που διαθέτετε.

► **Εικ.10:** 1. Εύκαμπτος σωλήνας της ηλεκτρικής σκούπας 2. Στόμιο απαγωγής σκόνης

## ΛΕΙΤΟΥΡΓΙΑ

**▲ΠΡΟΣΟΧΗ:** ΤΟ ΕΡΓΑΛΕΙΟ ΑΥΤΟ ΠΡΕΠΕΙ ΝΑ ΧΡΗΣΙΜΟΠΟΙΕΙΤΑΙ ΜΟΝΟ ΣΕ ΟΡΙΖΟΝΤΙΕΣ ΕΠΙΦΑΝΕΙΕΣ.

**▲ΠΡΟΣΟΧΗ:** Φροντίστε η κίνηση του εργαλείου προς τα εμπρός να διενεργείται σε ευθεία γραμμή και απαλά. Εάν ασκήσετε δύναμη ή υπερβολική πίεση ή επιτρέψετε στον τροχό να υποστεί κάμψη, σύσφιξη ή συστροφή εντός της τομής, μπορεί να προκαλέσετε υπερθέρμανση του μωτέρ και επικίνδυνο κλότσημα του εργαλείου.

Κρατήστε το εργαλείο σταθερά. Τοποθετήστε την πλάκα βάσης πάνω στο τεμάχιο εργασίας που πρόκειται να κοπεί χωρίς να έρχεται σε επαφή ο διαμαντοτροχός. Στη συνέχεια, ενεργοποιήστε το εργαλείο και περιμένετε μέχρι ο διαμαντοτροχός να αποκτήσει πλήρη ταχύτητα. Τώρα, μετακινήστε το εργαλείο προς τα εμπρός πάνω στην επιφάνεια του τεμαχίου εργασίας, κρατώντας το επίπεδο και προωθώντας ομαλά έως ότου ολοκληρωθεί η κοπή. Φροντίστε η γραμμή κοπής να είναι ευθεία και η ταχύτητα προώθησης ομοιόμορφη.

► **Εικ.11**



## ΣΥΝΤΗΡΗΣΗ

**⚠ ΠΡΟΣΟΧΗ:** Να βεβαιώνεστε πάντα ότι το εργαλείο είναι σβηστό και αποσυνδεδεμένο από την ηλεκτρική παροχή πριν εκτελέσετε οποιαδήποτε εργασία επιθεώρησης ή συντήρησης σε αυτό.

**ΕΙΔΟΠΟΙΗΣΗ:** Μην χρησιμοποιείτε ποτέ βενζίνη, πετρελαϊκό αιθέρα, διαλυτικό, αλκοόλη ή παρόμοιες ουσίες. Μπορεί να προκληθεί αποχρωματισμός, παραμόρφωση ή ρωγμές.

## Τρόχισμα διαμαντοτροχού

Αν η αποτελεσματικότητα κοπής του διαμαντοτροχού αρχίσει να μειώνεται, χρησιμοποιήστε έναν παλιό άχρηστο τροχό εργαλείου λείανσης πάγκου με μεγάλους κοφτερούς κόκκους ή ένα μπλοκ σκυροδέματος, για να τροχίσετε το διαμαντοτροχό. Για να το επιτύχετε, ασφαλίστε σταθερά τον τροχό εργαλείου λείανσης πάγκου ή ένα μπλοκ σκυροδέματος και κόψτε το.

## Μετά από τη χρήση

Καθαρίστε τη σκόνη από το εσωτερικό του εργαλείου αφήνοντας το εργαλείο σε άεργη λειτουργία για κάποιο χρονικό διάστημα. Απομακρύνετε με βούρτσισμα τη συσσωρευμένη σκόνη από τη βάση. Η συσσωρευμένη σκόνη στο εσωτερικό του μοτέρ ή πάνω στη βάση μπορεί να προκαλέσει δυσλειτουργία του εργαλείου.

## Αντικατάσταση καρβουνακίων

Να ελέγχετε τα καρβουνάκια τακτικά. Αντικαταστήστε τα όταν φθαρούν μέχρι το σημάδι ορίου. Διατηρείτε τα καρβουνάκια καθαρά και ελεύθερα να γλιστρούν στις θήκες. Και τα δύο καρβουνάκια πρέπει να αντικαθίστανται ταυτόχρονα. Χρησιμοποιείτε μόνο καρβουνάκια ίδιου τύπου.

► **Εικ.12:** 1. Ένδειξη ορίου

Χρησιμοποιήστε ένα κατσαβίδι για να αφαιρέσετε τα καπάκια των θηκών καρβουνακίων. Βγάλτε τα φθαρμένα καρβουνάκια, τοποθετήστε τα νέα και ασφαλίστε τα καπάκια των θηκών καρβουνακίων.

► **Εικ.13:** 1. Κατσαβίδι 2. Καπάκι θήκης καρβουνακίων

Για τη διατήρηση της ΑΣΦΑΛΕΙΑΣ και ΑΞΙΟΠΙΣΤΙΑΣ του προϊόντος, οι επισκευές και οποιαδήποτε άλλη εργασία συντήρησης ή ρύθμισης πρέπει να εκτελούνται από εξουσιοδοτημένα ή εργοστασιακά κέντρα εξυπηρέτησης της Makita, χρησιμοποιώντας πάντοτε ανταλλακτικά της Makita.

## ΠΡΟΑΙΡΕΤΙΚΑ ΕΞΑΡΤΗΜΑΤΑ

**⚠ ΠΡΟΣΟΧΗ:** Αυτά τα εξαρτήματα ή προσαρτήματα συνιστώνται για χρήση με το εργαλείο Makita που περιγράφηκε στις οδηγίες αυτές. Η χρήση οποιωνδήποτε άλλων εξαρτημάτων ή προσαρτημάτων μπορεί να προκαλέσει κίνδυνο τραυματισμού σε άτομα. Να χρησιμοποιείτε τα εξαρτήματα ή προσαρτήματα μόνο για την χρήση που προορίζονται.

Εάν χρειάζεστε οποιαδήποτε βοήθεια για περισσότερες πληροφορίες σε σχέση με αυτά τα εξαρτήματα, απευθυνθείτε στο τοπικό σας κέντρο εξυπηρέτησης Makita.

- Διαμαντοτροχόι (Ξηρού τύπου)
- Κλειδί 22
- Εξαγωνικό κλειδί
- Ράγα οδήγησης
- Προσαρμογέας ράγας οδήγησης
- Προστατευτικά γυαλιά-προσωπίδες

**ΠΑΡΑΤΗΡΗΣΗ:** Μερικά στοιχεία στη λίστα μπορεί να συμπεριλαμβάνονται στη συσκευασία εργαλείου ως στάνταρ εξαρτήματα. Μπορεί να διαφέρουν ανάλογα με τη χώρα.

## TEKNİK ÖZELLİKLER

Model:	4100KB
Disk çapı	125 mm
Maks. disk kalınlığı	2,2 mm
Maks. kesme kapasiteleri	40 mm
Nominal hız (n)	12.200 min <sup>-1</sup>
Tam uzunluk	231 mm
Net ağırlık	3,0 kg
Emniyet sınıfı	□/II

- Sürekli yapılan araştırma ve geliştirmelerden dolayı, burada belirtilen özellikler önceden bildirilmeksizin değiştirilebilir.
- Özellikler ülkeden ülkeye değişebilir.
- EPTA-Prosedürü 01/2014 uyarınca ağırlık

### Kullanım amacı

Alet, tuğla ve betonu su kullanmadan kesmek için tasarlanmıştır.

### Güç kaynağı

Aletin, yalnızca isim levhasında belirtilenle aynı voltajlı güç kaynağına bağlanması gerekir ve yalnızca tek fazlı AC güç kaynağıyla çalıştırılabilir. Çifte yalıtımlıdır ve topraklamasız prizlerle de kullanılabilir.

### 220 V ile 250 V arası umumi düşük voltaj dağıtım sistemleri için

Elektrikli aletlerin açma-kapama işlemleri voltaj dalgalanmalarına sebep olur. Ana şebekenin uygun olmadığı koşullarda, bu makinanın çalıştırılması diğer cihazların çalışması üzerinde ters etki yapabilir. Ana şebeke impedansının 0,37 Ohms'a eşit veya ondan daha küçük olması durumunda, ters etkilerin olmayacağı varsayılabilir. Bu makinanın bağlı olduğu ana şebeke prizi, yavaş tetikleme özellikleri olan bir sigorta veya koruyucu devre kesici ile korunmalıdır.

### Gürültü

Tipik A-ağırlıklı gürültü düzeyi (EN60745 standardına göre belirlenen):

Ses basınç seviyesi ( $L_{pA}$ ): 96 dB (A)

Ses gücü düzeyi ( $L_{WA}$ ): 107 dB (A)

Belirsizlik (K): 3 dB (A)

**UYARI:** Kulak koruyucuları takın.

### Titreşim

Titreşim toplam değeri (üç eksenli vektör toplamı) (EN60745 standardına göre hesaplanan):

Çalışma modu: beton kesme

Titreşim emisyonu ( $a_h$ ): 6,0 m/s<sup>2</sup>

Belirsizlik (K) : 1,5 m/s<sup>2</sup>

**NOT:** Beyan edilen titreşim emisyon değeri standart test yöntemine uygun şekilde ölçülmüştür ve bir aleti bir başkasıyla karşılaştırmak için kullanılabilir.

**NOT:** Beyan edilen titreşim emisyon değeri bir ön maruz kalma değerlendirmesi olarak da kullanılabilir.

**UYARI:** Bu elektrikli aletin gerçek kullanımı sırasındaki titreşim emisyonu aletin kullanım biçimlerine bağlı olarak beyan edilen emisyon değerinden farklı olabilir.

**UYARI:** Gerçek kullanım koşullarındaki maruz kalmanın bir tahmini hesaplaması temelinde operatörü koruyacak güvenlik önlemlerini mutlaka belirleyin (çalışma döngüsü içerisinde aletin kapalı olduğu ve aktif durumda olmasının yanı sıra boşta çalıştığı zamanlar gibi, bütün zaman dilimleri göz önünde bulundurularak değerlendirilmelidir).

### EC Uygunluk Beyanı

#### Sadece Avrupa ülkeleri için

EC uygunluk beyanı bu kullanım kılavuzuna Ek A olarak eklenmiştir.

## GÜVENLİK UYARILARI

### Genel elektrikli alet güvenliği uyarıları

**UYARI:** Bu elektrikli aletle birlikte sunulan tüm güvenlik uyarılarını, talimatları, çizimleri ve teknik özellikleri okuyun. Aşağıda verilen talimatlara uyulmaması elektrik şoku, yangın ve/veya ciddi yaralanmalar ile sonuçlanabilir.

### Tüm uyarıları ve talimatları iletiride başvurmak için saklayın.

Uyarılardaki "elektrikli alet" terimi ile ya prizden çalışan (kordonlu) elektrikli aletiniz ya da kendi aküsü ile çalışan (kordonsuz) elektrikli aletiniz kastedilmektedir.

## Kesme makinası güvenlik uyarıları

- Alele birlikte sağlanan siper, elektrikli alele sıkıca sabitlenmeli ve operatörü diskten olabildiğince korumak için en yüksek güvenliği sağlayacak şekilde konumlandırılmalıdır. Kendinizi ve etrafınızdaki diğer kişileri döner diskin düzleminden uzak tutun.** Siper, operatörü kırık disk parçalarından ve diske kazayla temas etmekten korur.
- Elektrikli aletinizi için sadece elmas kesme diskleri kullanın.** Bir aksesuarın elektrikli aletinize takılabiliyor olması, tek başına onun güvenli çalışacağını garanti etmez.
- Aksesuarın nominal hızı en azından elektrikli aletin üstünde belirtilen maksimum hıza eşit olmalıdır.** Nominal hızlarından daha hızlı çalışan aksesuarlar kırılabilir ve fırlayabilir.
- Diskler sadece tavsiye edilen uygulamalar için kullanılmalıdır. Örneğin: kesme diskinin yan tarafıyla taşlama yapmayın.** Aşındırıcı kesme diskleri periferik taşlama için tasarlanmıştır, bu disklere yandan baskı uygulanması çatlamalarına neden olabilir.
- Daima seçtiğiniz diskinizi için doğru çapta, hasarsız flanşlar kullanın.** Doğru disk flanşları diski destekleyerek, disk kırılması olasılığını azaltır.
- Aksesuarınızın dış çapı ve kalınlığı elektrikli aletinizin kapasite derecelendirmesi dahilinde olmalıdır.** Doğru boyutta olmayan aksesuarlar yeterince korunamayabilir veya kontrol edilemeyebilir.
- Disklerin ve flanşların malafa deliği boyutları elektrikli aletin miline tam olarak uymalıdır.** Malafa delikleri elektrikli alette monte edildiği donanıma uymayan diskler ve flanşlar dengesiz döner, aşırı titreşim yapar ve kontrolden çıkabilir.
- Hasarlı diskleri kullanmayın. Her kullanımdan önce, disklerde çentik ve çatlak kontrolü yapın. Eğer elektrikli alet veya disk düşürülürse, hasar muayenesi yapın veya hasarsız diski takın. Bir diski muayene ettikten ve taktıktan sonra, kendinizi ve etrafınızdaki kişileri döner diskin düzleminden uzak tutun ve elektrikli aleti bir dakika kadar maksimum yüksüz hızda çalıştırın.** Bu test çalıştırması sırasında hasarlı diskler normal olarak parçalanır.
- Kişisel koruyucu donanım kullanın. Uygulamaya bağlı olarak yüz siperleri veya güvenlik gözlükleri kullanın. Uygun görüldüğü şekilde toz maskesi, kulak koruyucuları, eldiven ve aşındırıcı diskten veya iş parçasından kopan küçük parçaları durdurabilecek iş önlüğü takın.** Göz koruyucuları çeşitli işlemlerin üreteceği uçan kırıntıları durdurabilecek nitelikte olmalıdır. Toz maskesi veya solunum cihazı yaptığınız işlemin üreteceği küçük parçacıkları süzebilecek nitelikte olmalıdır. Uzun süre yüksek yoğunlukta gürtülüye maruz kalmak işitme kaybına neden olabilir.
- Etrafınızdaki kişileri çalışma alanından güvenli bir uzaklıkta tutun. Çalışma alanına giren herkes kişisel koruyucu donanım kullanmalıdır.** Kırılan bir diskin veya iş parçasının kırıkları uzağa fırlayıp, çalışma yerinin ötesinde yaralanmalara neden olabilir.

- Kesici aksesuarın görünmeyen kabloları ya da aletin kendi kordonuna temas etme olasılığı bulunan yerlerde çalışırken elektrikli aleti sadece yalıtımlı kavrama yüzeyinden tutun.** Kesici aksesuarın "akımlı" bir telle temas etmesi elektrikli aletin yalıtımsız metal kısımlarını "akımlı" hale getirebilir ve kallıncıyı elektrik şokuna maruz bırakabilir.
- Kordonu döner aksesuardan uzakta tutun.** Eğer kontrolü kaybederseniz, kordon kesilebilir veya takılabilir ve eliniz ya da kolunuz döner diske doğru çekilebilir.
- Aksesuar tamamen durmadan önce elektrikli aleti kesinlikle yere koymayın.** Döner disk yere sürtünüp, elektrikli aletin kontrolünüz dışında fırlamasına neden olabilir.
- Elektrikli aleti yanınızda taşırken çalıştırmayın.** Gıysilerinizin kazayla döner aksesuara temas etmesi sonucu gıysiniz takılarak aksesuarı vücudunuza doğru çekebilir.
- Elektrikli aletin havalandırma deliklerini düzenli olarak temizleyin.** Motorun fanı tozu gövdenin içine çeker ve aşırı toz metal birikimi elektrik tehlikelerine neden olabilir.
- Elektrikli aleti tutuşabilen malzemelerin yakınında kullanmayın.** Kırılcımlar bu malzemeleri tutuşturabilir.
- Sıvı soğutucu gerektiren aksesuarları kullanmayın.** Su veya başka sıvı soğutucular kullanılması elektrik çarpmasına veya şoka neden olabilir.

### Geri tepme ve ilgili uyarılar

Geri tepme döner diskin sıkışmasına veya takılmasına ani bir tepkidir. Sıkışma veya takılma döner diskin aniden durmasına ve bu da elektrikli aletin tutukluk noktasında diskin dönme yönünün tersi doğrultuda kontrolsüz şekilde itilmesine neden olur. Örneğin, eğer bir aşındırıcı disk iş parçasına takılır veya sıkışır, sıkışma noktasına giren diskin kenarı malzeme yüzeyine batarak, diskin dışarı tırmannasına veya geri tepmesine neden olabilir. Disk, sıkışma noktasında diskin hareket yönüne bağlı olarak operatöre veya ondan uzağa doğru sıçrayabilir. Bu koşullarda aşındırıcı diskler kırılabilir de. Geri tepme elektrikli aletin başka amaçla kullanılması ve/veya yanlış kullanım usulleri veya koşullarının bir sonucudur ve aşağıda belirtildiği gibi doğru önlemlerle önlenebilir.

- Elektrikli aleti daima sıkıca kavrayın ve vücudunuz ve kolunuzun duruşunu geri tepme kuvvetlerine direnç gösterecek şekilde ayarlayın. İlk çalıştırma sırasında geri tepme veya tork etkisi üzerinde maksimum kontrol sağlamak için, eğer varsa, daima yardımcı kolu kullanın.** Eğer doğru önlemler alınır, operatör tork etkilerini geri tepme kuvvetlerini kontrol edebilir.
- Elinizi asla döner aksesuarın yakınına koymayın.** Aksesuar elinizin üstüne doğru geri tepebilir.
- Vücudunuzu döner diskle aynı hizada tutmayın.** Geri tepme, takılma noktasında aleti diskin hareketinin tersi yönde iter.
- Köşeler, keskin kenarlar vb. üzerinde çalışırken çok dikkatli olun. Aksesuarın sallanmasını veya takılmasını önleyin.** Köşelerde, keskin kenarlarda veya zıplama halinde döner aksesuarın takılma eğilimi vardır ve kontrol kaybına veya geri tepmeye neden olur.

5. **Zincir testere, oyma bıçağı, 10 mm'den fazla periferik boşluklu segmentli elmas disk ya da dişli testere bıçağı takmayın.** Bu bıçaklar sıkça geri tepme ve kontrol kaybı yaratır.
6. **Diski "sıkıştırmayın" ya da aşırı basınç uygulamayın. Aşırı derinlikte bir kesme yapmaya çalışmayın.** Diskin aşırı zorlanması yükü ve disklin kesik içinde bükülme veya takılma olasılığını arttırarak, geri tepmeye veya disklin kırılmasına neden olabilir.
7. **Disk takıldığı veya herhangi bir nedenle kesmeyi durdurduğu zaman, elektrikli aleti kapatın ve disk tamamen duruncaya kadar elektrikli aleti hareketsiz şekilde tutun.** Disk hareket halindeyken onu kesinlikle kesikten çıkarmaya çalışmayın aksi taktirde geri tepme oluşabilir. Diskin takılma nedenini araştırıp, ortadan kaldırmak için düzeltici işlemleri yapın.
8. **İş parçasında kesme işlemine yeniden başlamayın. Diskin tam hıza ulaşmasını bekleyin ve dikkatli şekilde tekrar kesici geçirin.** Elektrikli alet iş parçası içinde tekrar çalıştırılırsa, disk takılabilir, yukarı tırmanabilir veya geri tepebilir.
9. **Disklin takılması ve geri tepme riskini en aza indirmek için panelleri ve çok büyük iş parçalarını destekleyin.** Büyük iş parçaları kendi ağırlıkları altında bel vermeye meyillidir. Destekler disklin her iki yanında kesme hattına ve iş parçasının kenarına yakın olarak, iş parçasının altına yerleştirilmelidir.
10. **Mevcut duvarların veya diğer kör alanların içine "cep kesme" yaparken daha fazla dikkat gösterin.** Fazla ileri giden disk; gaz veya su borularını, elektrik kablolarını veya geri tepmeye neden olabilecek nesnelere kesebilir.
11. **Segmentli bir elmas disk kullanmadan önce, elmas disklin segmentleri arasında sadece negatif bir talaş açısı ile 10 mm veya daha az periferik boşluk olduğundan emin olun.**

#### Ek Güvenlik Uyarıları:

1. **Alet mengine ters olarak tutulmuş şekilde kesim yapmaya çalışmayın.** Bu çok tehlikeli bir davranış olur ve ciddi kazalara yol açabilir.
2. **Bazı malzemeler zehirli olabilen kimyasallar içerir. Toz yutmayı ve cilt temasını önlemek için tedbir alın.** Malzeme sağlayıcısının güvenlik bilgilerine uyun.
3. **Diskleri üretici tavsiyelerine uygun olarak muhafaza edin.** Uygun olmayan muhafaza disklere zarar verebilir.

## BU TALİMATLARI MUHAFAZA EDİNİZ.

**⚠UYARI:** Ürünü kullanırken (defalarca kullanınca kazanılan) rahatlık ve tanıdıklık duygusunun ilgili ürünün güvenlik kurallarına sıkı sıkıya bağlı kalmanın yerine geçmesine İZİN VERMEYİN. YANLIŞ KULLANIM veya bu kullanma kılavuzunda belirtilen emniyet kurallarına uymama ciddi yaralanmaya neden olabilir.

## İŞLEVSEL NİTELİKLER

**⚠DİKKAT:** Alet üzerinde ayarlama ya da işleyiş kontrolü yapmadan önce aletin kapalı ve fişinin çekili olduğundan daima emin olun.

### Kesimin derinliğini ayarlamak

**⚠DİKKAT:** Kesim derinliğini ayarladıktan sonra kolu daima iyice sıkılayın.

Derinlik kılavuzunun üzerindeki kolu gevşetin ve kaideyi yukarı veya aşağıya doğru hareket ettirin. İstenilen kesim derinliğinde kolu sıkılayarak kaideyi sabitleyin. Daha temiz, daha güvenli kesimler için kesim derinliğini, elmas disk iş parçasının altından en fazla 2 mm çıkacak şekilde ayarlayın. Uygun kesim derinliği kullanılması, yarananmaya neden olabilecek tehlikeli GERİ TEPME potansiyelini azaltmaya yardımcı olur.

► **Şek.1:** 1. Kol

### Yön verme

Kaidenin ön tarafının kenarını iş parçasının üzerindeki kesme hattınızla hizalayın.

► **Şek.2**

### Anahtar işlemi

**⚠DİKKAT:** Aleti fişe takmadan önce anahtar tetiğinin doğru çalıştığından ve bırakıldığında "OFF" (kapalı) konumuna döndüğünden emin olun.

► **Şek.3:** 1. Anahtar tetik 2. Kilitleme düğmesi / Güvenlik kilidi düğmesi

### Kilitleme düğmeli aletler için

**⚠DİKKAT:** Uzun süreli kullanım sırasında kullanıcının rahatlığı için anahtar "ON" (açık) konumuna kilitlenebilir. Anahtar "ON" (açık) konumunda kilitleyken dikkatli olun ve aleti sıkı kavrayın.

Makinayı çalıştırmak için anahtar tetiği çekin. Durdurmak için anahtar tetiği serbest bırakın. Sürekli işletmek için, anahtar tetiği çekin, kilitleme düğmesine basın ve sonra anahtar tetiği serbest bırakın. Aleti kilitle pozisyonundan çıkarmak için, anahtar tetiği tamamen çekip sonra serbest bırakın.

### Güvenlik kilidi düğmeli aletler için

Anahtar tetiğinin yanlışlıkla çekilmesini önlemek için bir güvenlik kilidi düğmesi sağlanmıştır. Aleti başlatmak için, güvenlik kilidi düğmesine bastırın ve anahtar tetiği çekin. Durdurmak için anahtar tetiği serbest bırakın.

**⚠UYARI:** Güvenlik kilidi düğmesine basmadan sadece anahtar tetik çekildiğinde çalışan bir aleti ASLA kullanmayın. Tamir edilmesi gereken bir anahtar, istem dışı çalışmaya ve ciddi kişisel yaralanmalara neden olabilir. Daha fazla kullanmadan ÖNCE tamir ettirmek için aleti bir Makita servisine götürün.

**⚠UYARI:** Güvenlik kilidi düğmesini ASLA bantlayarak ya da başka bir yöntemle devre dışı bırakmaya çalışmayın. Güvenlik kilidi düğmesi devre dışı bırakılmış bir anahtar, istem dışı çalışmaya ve ciddi kişisel yaralanmalara neden olabilir.

**⚠DİKKAT:** Güvenlik kilidi düğmesine basmadan anahtar tetiği sıkıca çekmeyin. Bu, anahtarın kırılmasına neden olabilir.

## MONTAJ

**⚠DİKKAT:** Alet üzerinde herhangi bir iş yapmadan önce aletin kapalı ve fişinin çekili olduğundan daima emin olun.

### Altıgen anahtarın saklanması

Kullanılmadığı zamanlarda, altıgen anahtarın kaybolmasını önlemek için anahtarları şekilde gösterildiği gibi saklayın.

► **Şek.4:** 1. Altıgen anahtar

### Elmas diskin takılması veya çıkarılması

**⚠DİKKAT:** ALTIGEN CIVATAYI İYİCE SIKILADIĞINIZDAN EMİN OLUN. Ayrıca, civatayı zorlamadan sıkılamaya dikkat edin. Altıgen anahtarın elinizden kaydırmak kişisel yaralanmaya neden olabilir.

**⚠DİKKAT:** Diski takmak veya çıkarmak için, sadece Makita marka anahtar ve altıgen anahtar kullanın.

Dış flanşı anahtarla tutun ve altıgen civatayı altıgen anahtarla gevşetin. Ardından, altıgen civatayı, dış flanş ve elmas diski çıkarın.

► **Şek.5:** 1. Altıgen anahtar 2. Altıgen civata 3. 22 no. anahtar 4. Gevşetin 5. Sıkın

Elmas diski takmak için, çıkarma işlemlerini tersinden uygulayın. Diski daima, elmas disk üzerindeki ok işareti dişli muhafazası üzerindeki ok işareti ile aynı yöne bakacak şekilde yerleştirin.

► **Şek.6:** 1. Altıgen civata 2. Dış flanş 3. Elmas disk 4. İç flanş 5. Çanak rondela

## Toz torbası

Toz torbası kullanılması kesim işlemlerini temiz ve toz toplamayı kolay hale getirir. Toz torbasını tutturmak için torbayı toz ağzına takın.

► **Şek.7:** 1. Toz torbası 2. Toz ağzı

Toz ağzının boynu serbest bir şekilde döner. Toz torbasını, aleti rahat kullanabilecek şekilde konumlandırın.

► **Şek.8**

Toz torbasının yaklaşık üçte biri dolduğunda toz torbasını aletten çıkarın ve bağlama elemanını çekip çıkarın. Toz toplamayı engelleyebilecek torbanın içine yapışan parçacıkları çıkarmak için torbayı hafifçe vurarak toz torbasını boşaltın.

► **Şek.9:** 1. Bağlama elemanı

## Elektrikli süpürgeğin bağlanması

Temiz kesim işlemi yapmak istediğinizde aletinize bir Makita elektrikli süpürge bağlayın.

► **Şek.10:** 1. Elektrikli süpürge hortumu 2. Toz ağzı

## KULLANIM

**⚠DİKKAT:** BU ALET SADECE YATAY YÜZEYLERDE KULLANILMALIDIR.

**⚠DİKKAT:** Aleti düz bir çizgide ve yavaşça ileri doğru hareket ettirdiğinizden emin olun. Zorlamak ve aşırı basınç uygulamak ya da kesim sırasında diskin bükülmesine, sıkışmasına ya da eğilmesine izin vermek motorun aşırı ısınmasına ve aletin tehlikeli biçimde geri tepmesine neden olabilir.

Aleti sıkıca tutun. Kaide plakasını elmas disk temas etmeyecek şekilde kesilecek iş parçasının üzerine yerleştirin. Sonra aleti çalıştırın ve elmas disk tam hıza ulaşana kadar bekleyin. Şimdi aleti iş parçasının yüzeyi üzerinde ileri doğru ittirip kesim işlemi tamamlanana kadar düz tutarak yumuşak bir şekilde ilerletin. Kesim çizginizi düz, kesim hızınızı sabit tutun.

► **Şek.11**

## BAKIM

**⚠DİKKAT:** Muayene ya da bakım yapmadan önce aletin kapalı ve fişinin çekili olduğundan daima emin olun.

**ÖNEMLİ NOT:** Benzin, tiner, alkol ve benzeri maddeleri kesinlikle kullanmayın. Renk değişimi, deformasyon veya çatlaklar oluşabilir.

## Elmas diskin düzeltilmesi

Elmas diskin kesim hareketi azalmaya başlarsa eski bir ıskarta kaba tanecikli tezgah üstü taşlama makinesi bileği taşı veya beton blok kullanarak elmas diski düzeltin. Bunun için tezgah üstü taşlama makinesi bileği taşıyı veya beton bloğu sıkıca sabitleyin ve bunları kesin.

## Kullanım sonrası

Aleti bir süre boшта çalıştırarak aletin içindeki tozu gidirin. Kaidede biriken tozu fırçayla dışarı atın. Motorda ya da kaidede toz birikmesi aletin arızalanmasına neden olabilir.

## Karbon fırçaların değiştirilmesi

Karbon fırçaları düzenli olarak kontrol edin. Sınır işaretine kadar yıprandıkları zaman değiştirin. Karbon fırçaların temiz ve yuvaları içinde serbestçe kayar durumda kalmalarını sağlayın. Her iki karbon fırça aynı zamanda değiştirilmelidir. Sadece birbirinin aynısı olan karbon fırçaları kullanın.

► **Şek.12:** 1. Sınır işareti

Fırça tutucu kapaklarını çıkarmak için bir tornavida kullanın. Aşınmış karbon fırçalarını dışarı çıkarın, yerlerine yenilerini geçirin ve fırça tutucu kapaklarını sıkıca takın.

► **Şek.13:** 1. Tornavida 2. Fırça tutucu kapağı

Aleti EMNİYETLİ ve ÇALIŞMAYA HAZIR durumda tutmak için onarımlar, başka her türlü bakım ve ayarlamalar daima Makita yedek parçaları kullanılarak Makita yetkili servis merkezleri veya Fabrikanın Servis Merkezleri tarafından yapılmalıdır.

## İSTEĞE BAĞLI AKSESUARLAR

**⚠ DİKKAT:** Bu aksesuarlar ve ek parçalar bu el kitabında belirtilen Makita aletiniz ile kullanılmak için tavsiye edilmektedir. Herhangi başka bir aksesuar ya da ek parça kullanılması insanlar için bir yaralanma riski getirebilir. Aksesuarları ya da ek parçaları yalnızca belirtilmiş olan kullanım amaçlarına uygun olarak kullanın.

Bu aksesuarlarla ilgili daha fazla bilgiye ihtiyaç duyarsanız bulunduğunuz yerdeki yetkili Makita servisine başvurun.

- Elmas diskler (Kuru tip)
- 22 no. anahtar
- Altıgen anahtar
- Kılavuz rayı
- Kılavuz rayı adaptörü
- Güvenlik gözlüğü

**NOT:** Listedeki parçaların bazıları alet paketi içerisinde standart aksesuar olarak dahil edilmiş olabilir. Bunlar ülkeden ülkeye farklılık gösterebilir.





**Makita Europe N.V.** Jan-Baptist Vinkstraat 2,  
3070 Kortenberg, Belgium

**Makita Corporation** 3-11-8, Sumiyoshi-cho,  
Anjo, Aichi 446-8502 Japan

[www.makita.com](http://www.makita.com)

885607A998  
EN, FR, DE, IT, NL,  
ES, PT, DA, EL, TR  
20170904