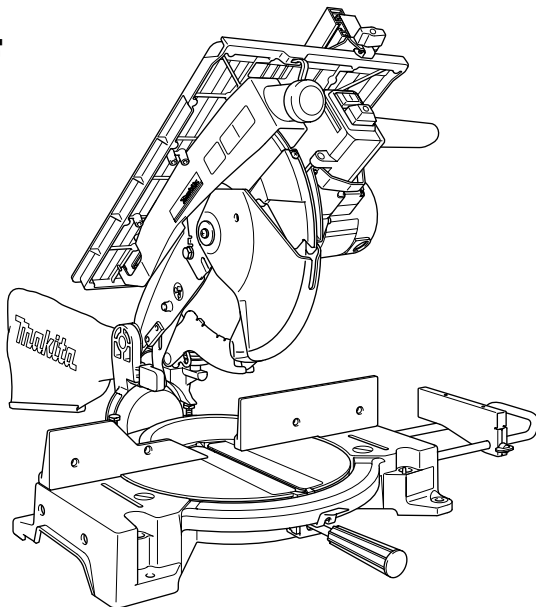
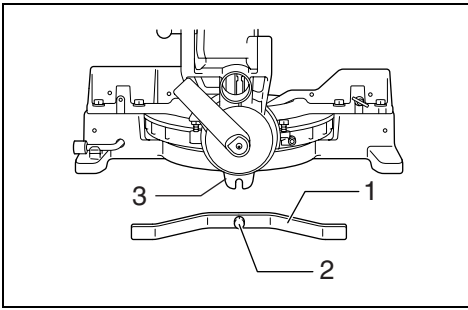


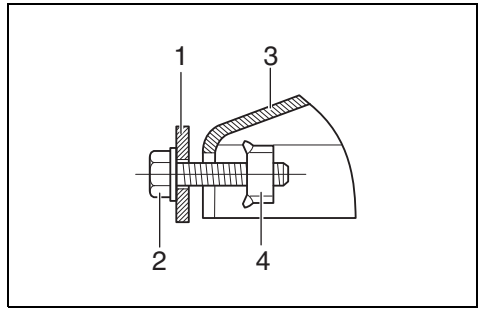
GB	Table Top Miter Saw	Instruction Manual
F	Scie à onglets à table supérieure	Manuel d'instructions
D	Universal-Kapp- und Gehrungssäge	Betriebsanleitung
I	Sega da banco con pianetto	Istruzioni per l'uso
NL	Tafel-, afkort- en verstekzaag	Gebruiksaanwijzing
E	Sierra de inglete con banco	Manual de instrucciones
P	Serra de esquadria de mesa	Manual de instruções
DK	Bord-gerings sav	Brugsanvisning
S	Bänkmonterad geringssåg	Bruksanvisning
N	Gjærings sag for bordmontering	Bruksanvisning
SF	Pöydällä käytettävä jiirisaha	Käyttöohje
GR	Επιτραπέζιο λοξό πριόνι	Οδηγίες χρήσεως

LH1040 LH1040F

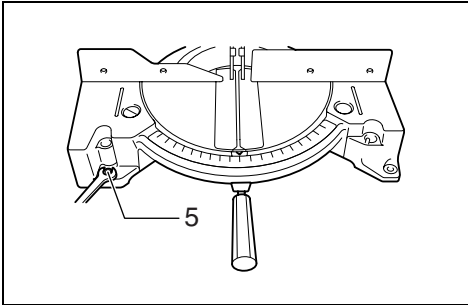




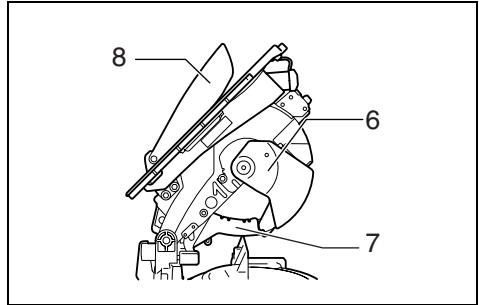
1



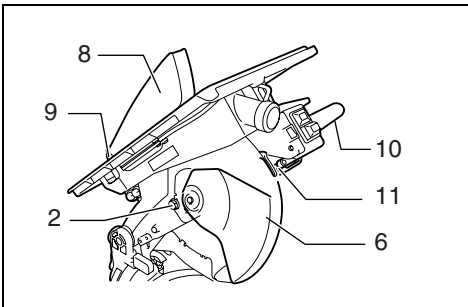
2



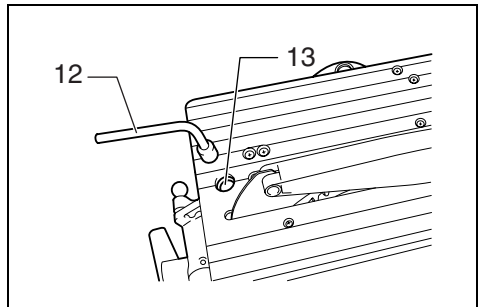
3



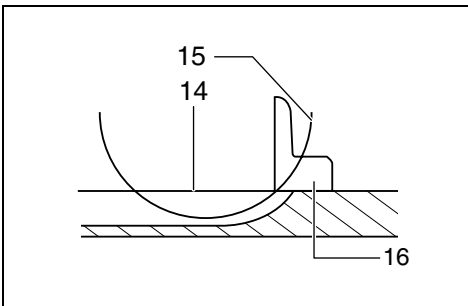
4



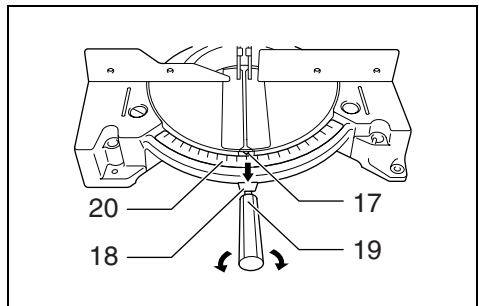
5



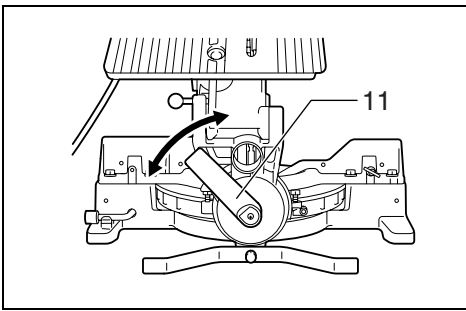
6



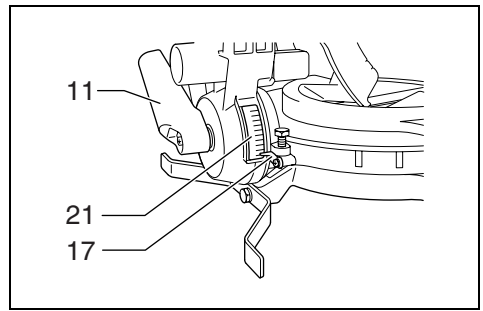
7



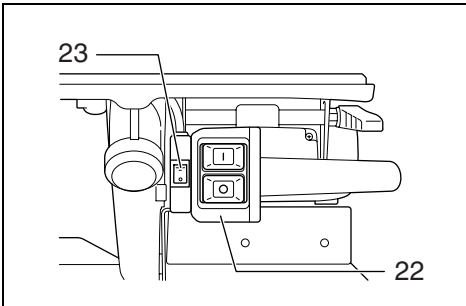
8



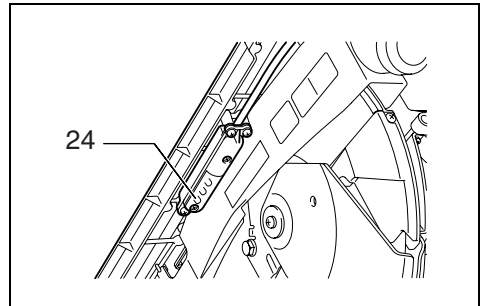
9



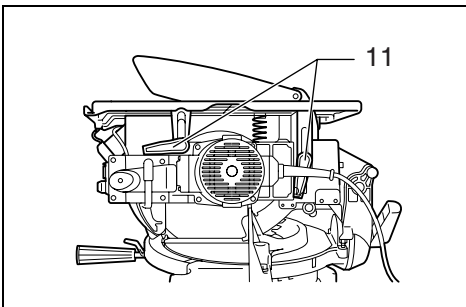
10



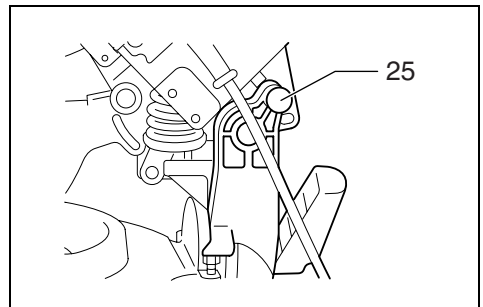
11



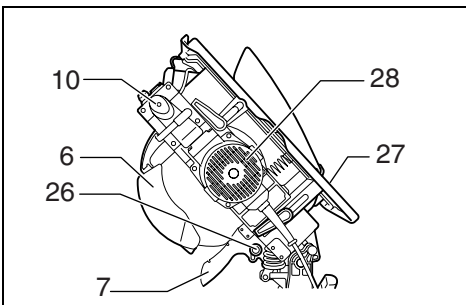
12



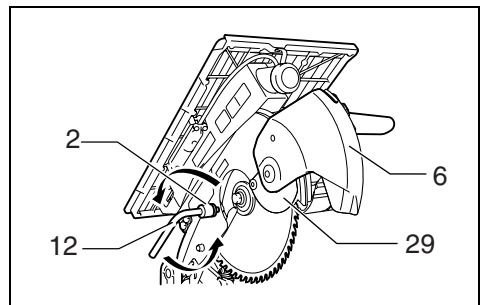
13



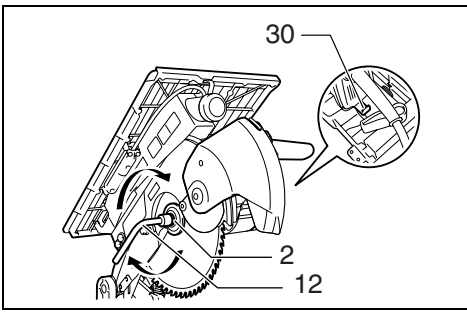
14



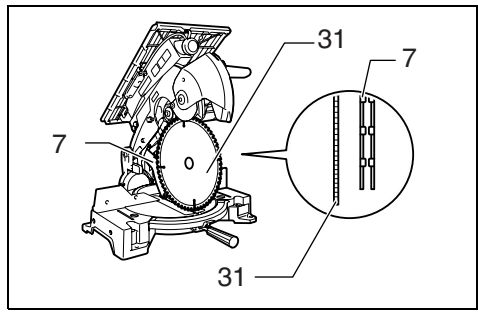
15



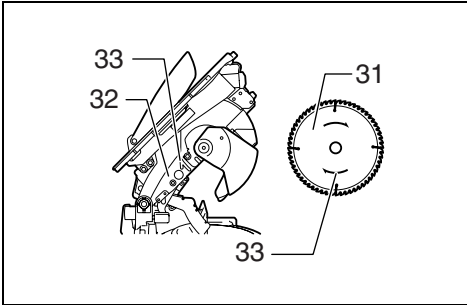
16



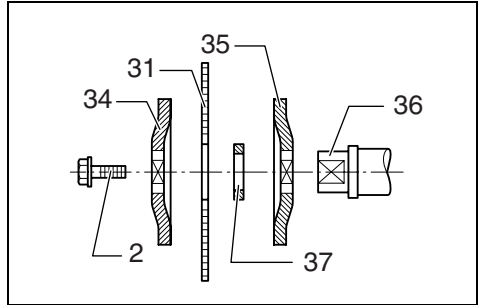
17



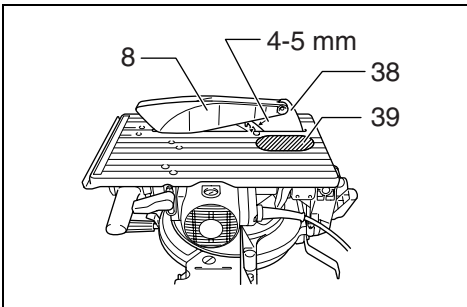
18



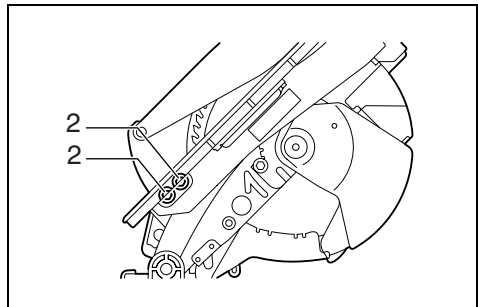
19



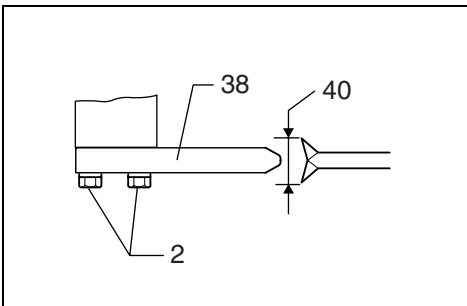
20



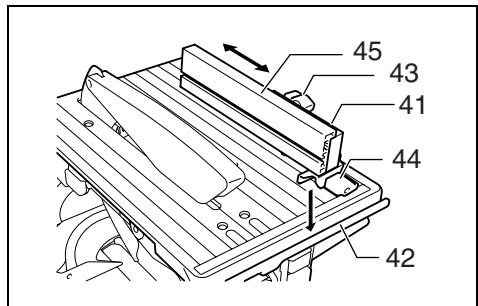
21



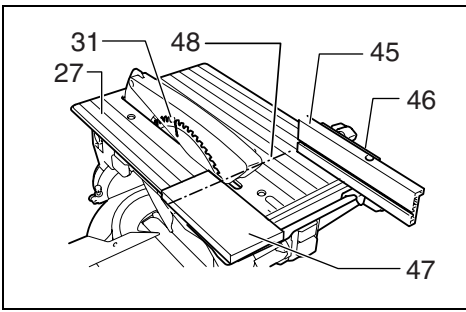
22



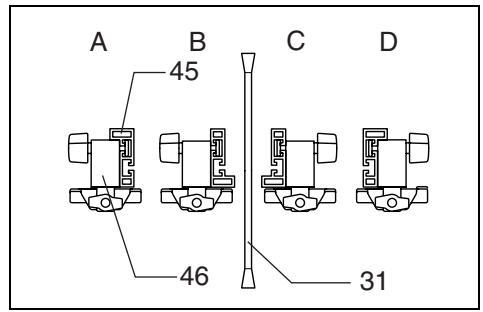
23



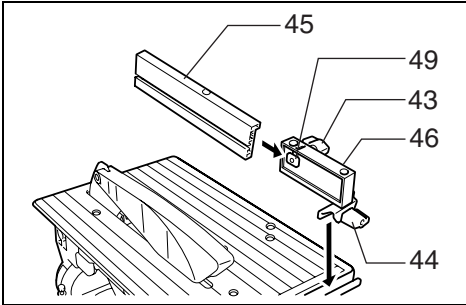
24



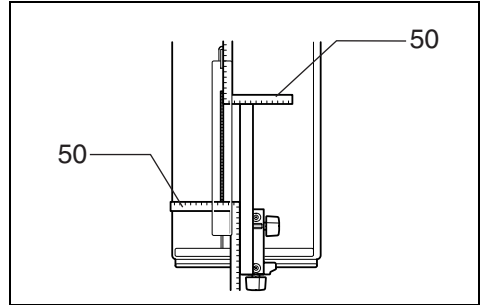
25



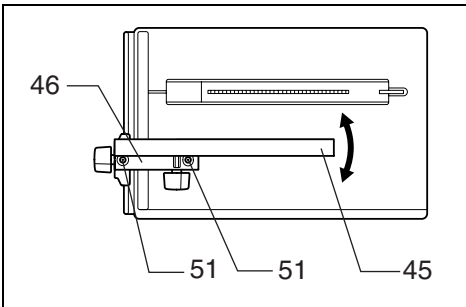
26



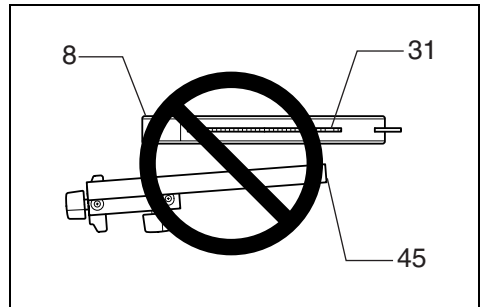
27



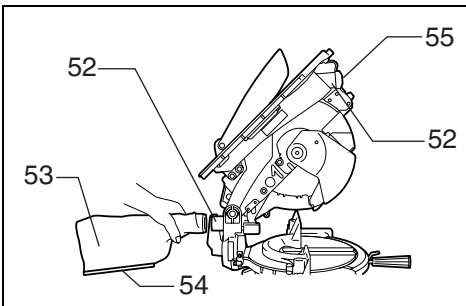
28



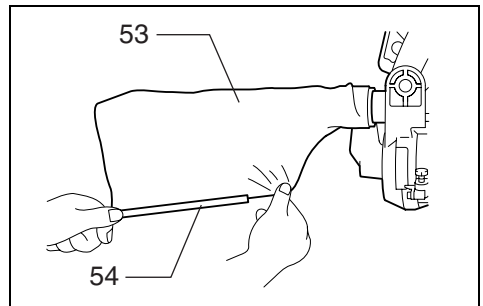
29



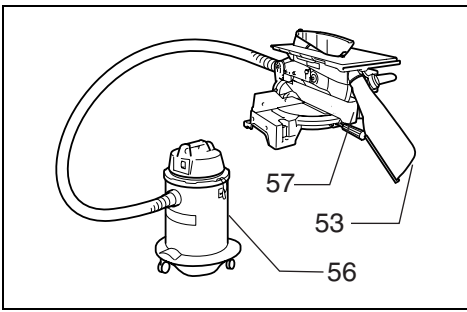
30



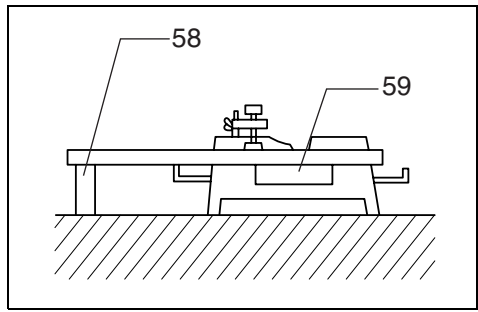
31



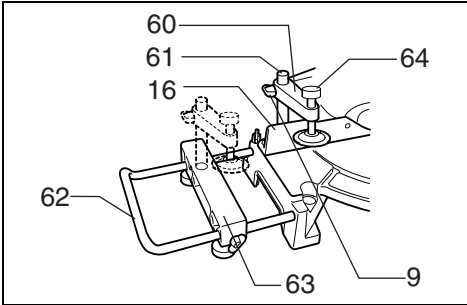
32



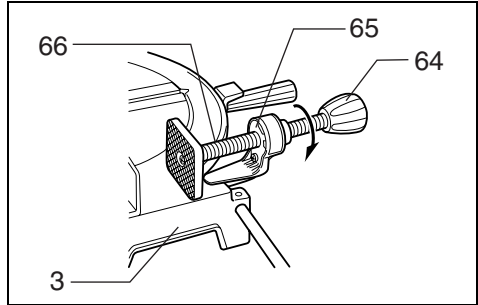
33



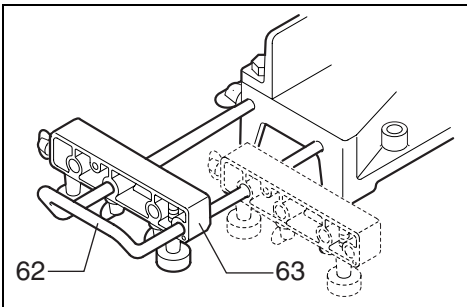
34



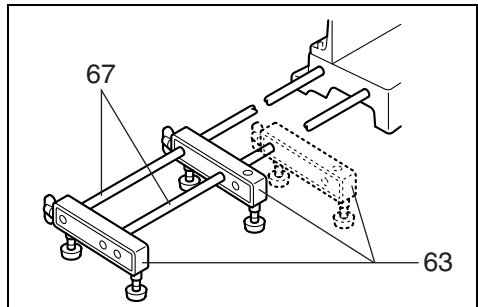
35



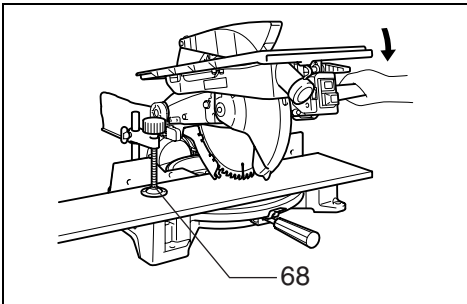
36



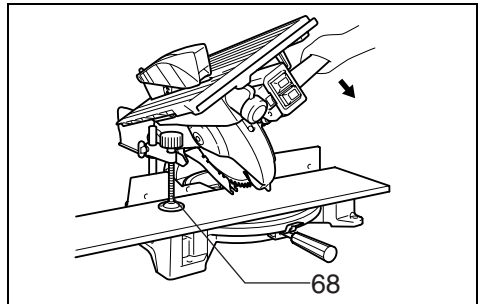
37



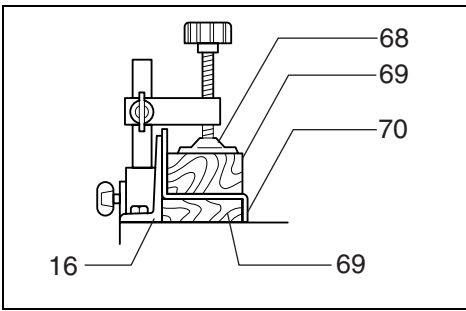
38



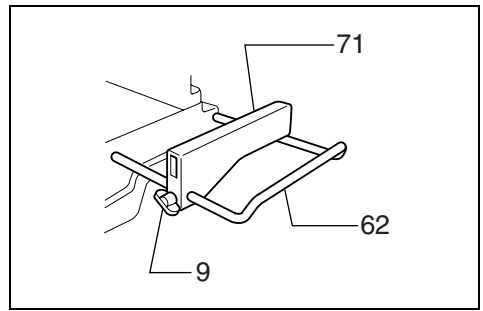
39



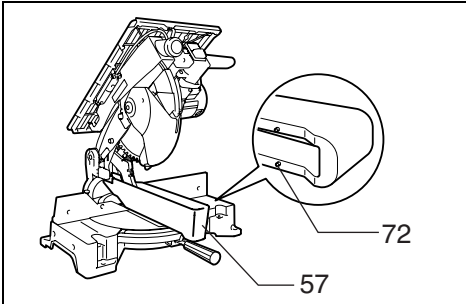
40



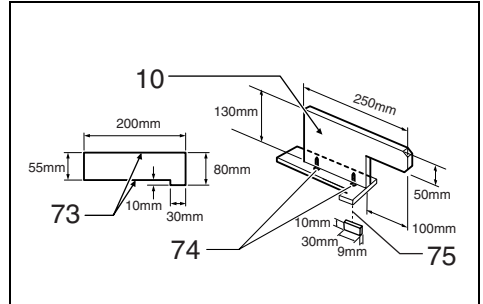
41



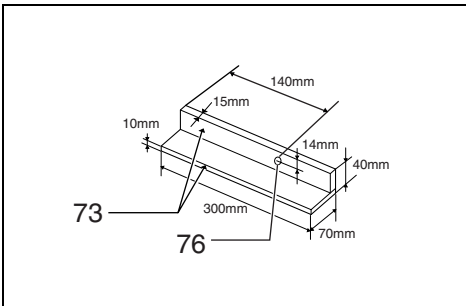
42



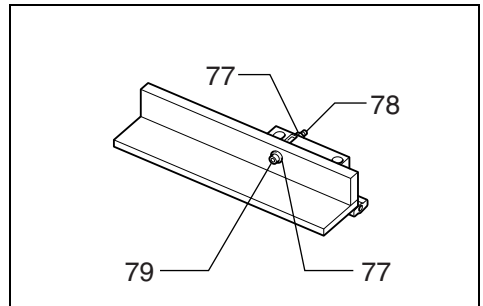
43



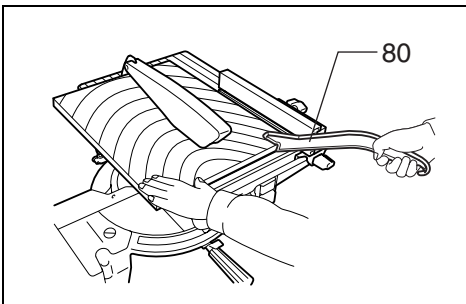
44



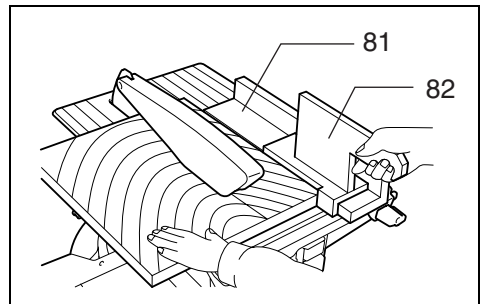
45



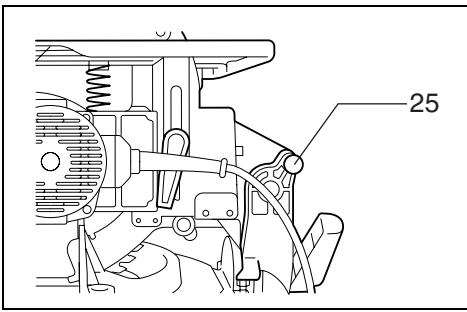
46



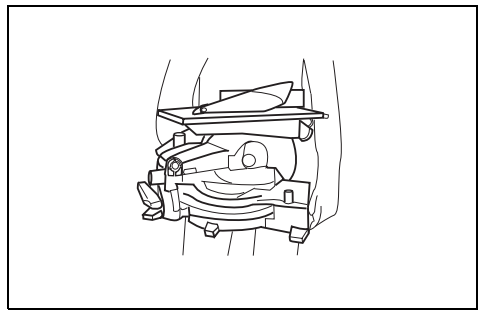
47



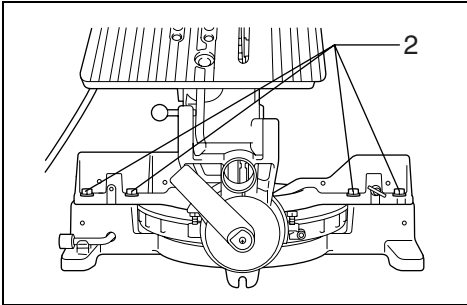
48



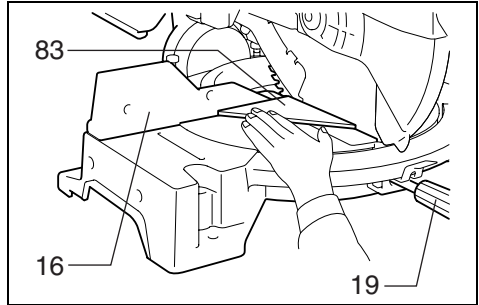
49



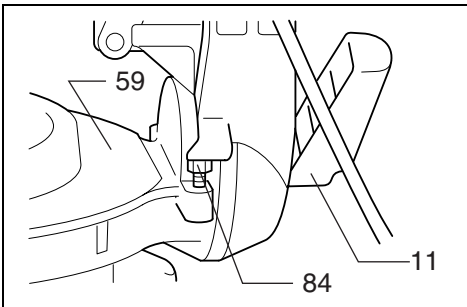
50



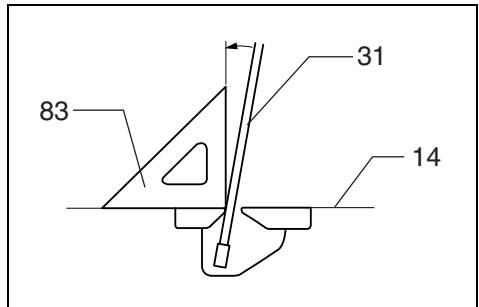
51



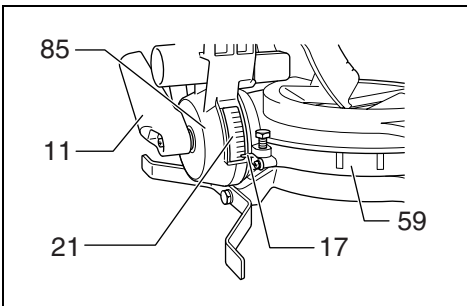
52



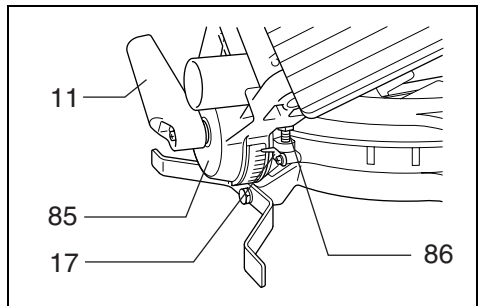
53



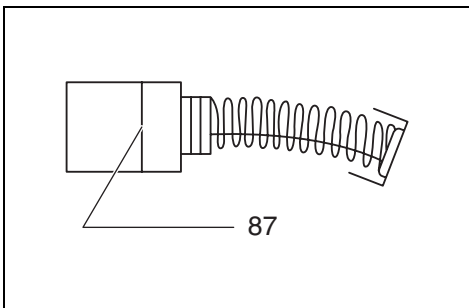
54



55



56



57

Symbols

The followings show the symbols used for the machine. Be sure that you understand their meaning before use.

Symboles

Nous donnons ci-dessous les symboles utilisés pour l'outil. Assurez-vous que vous en avez bien compris la signification avant d'utiliser l'outil.

Symbole

Die folgenden Symbole werden für die Maschine verwendet. Machen Sie sich vor der Benutzung unbedingt mit ihrer Bedeutung vertraut.

Simboli

Per questo utensile vengono usati i simboli seguenti. Bisogna capire il loro significato prima di usare l'utensile.

Symbolen

Voor dit gereedschap worden de volgende symbolen gebruikt. Zorg ervoor dat u de betekenis van deze symbolen begrijpt alvorens het gereedschap te gebruiken.

Símbolos

A continuación se muestran los símbolos utilizados con esta herramienta. Asegúrese de que entienda su significado antes de usarla.

Símbolos

O seguinte mostra os símbolos utilizados para a ferramenta. Certifique-se de que compreende o seu significado antes da utilização.

Symboler

Nedenstående symboler er anvendt i forbindelse med denne maskine. Vær sikker på, at De har forstået symbolernes betydning, før maskinen anvendes.

Symboler

Det följande visar de symboler som används för den här maskinen. Se noga till att du förstår deras innebörd innan maskinen används.

Symbolene

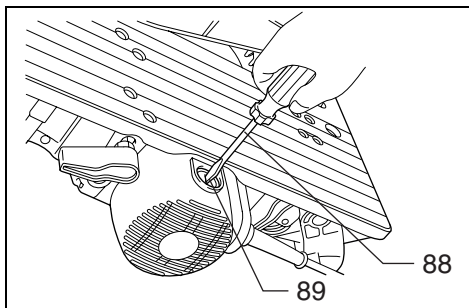
Følgende viser de symbolene som brukes for maskinen. Det er viktig å forstå betydningen av disse før maskinen tas i bruk.

Symbolit

Alla on esitetty koneessa käytetyt symbolit. Opettele näiden merkitys, ennen kuin käytät konetta.

Σύμβολα

Τα ακόλουθα δείχνουν τα σύμβολα που χρησιμοποιούνται για το μηχάνημα. Βεβαιωθείτε ότι καταλαβαίνετε τη σημασία τους πριν από τη χρήση.



58



- Read instruction manual.
- Lire le mode d'emploi.
- Bitte Bedienungsanleitung lesen.
- Leggete il manuale di istruzioni.
- Lees de gebruiksaanwijzing.
- Lea el manual de instrucciones.
- Leia o manual de instruções.
- Læs brugsanvisningen.
- Läs bruksanvisningen.
- Les bruksanvisningen.
- Katso käyttöohjeita.
- Διαβάστε τις οδηγίες χρήσης.



- DOUBLE INSULATION
- DOUBLE ISOLATION
- DOPPELT SCHUTZISOLIERT
- DOPPIO ISOLAMENTO
- DUBBELE ISOLATIE
- DOBLE AISLAMIENTO
- DUPLO ISOLAMENTO
- DOBBELT ISOLERET
- DUBBEL ISOLERING
- DOBBEL ISOLERING
- KAKSINKERTAINEN ERISTYS
- ΔΙΠΛΗ ΜΟΝΩΣΗ



- To avoid injury from flying debris, keep holding the saw head down, after making cuts, until the blade has come to a complete stop.
- Pour éviter les blessures causées par les objets projetés, maintenez la tête de la scie en position basse une fois la coupe terminée, jusqu'à ce que la lame soit complètement arrêtée.
- Um Verletzungen durch herausgeschleuderte Teile zu vermeiden, halten Sie den Sägekopf nach Ausführung von Schnitten abgesenkt, bis das Sägeblatt völlig zum Stillstand gekommen ist.
- Per evitare lesioni dalle schegge volanti, dopo aver eseguito il taglio tenere abbassata la testa sega finché la lama non si è arrestata completamente.
- Om verwonding door weggeslingerd zaagafval te voorkomen, dient u na het voltooiën van een snede de zaagkop omlaag te houden totdat het zaagblad volledig tot stilstand is gekomen.
- Para evitar sufrir heridas a causa de restos que salen despedidos, siga sujetando la cabeza de la sierra hacia abajo, al terminar los cortes, hasta que el disco se haya parado completamente.
- Para evitar danos causados por aparas que saltem, mantenha a cabeça da serra para baixo, depois de terminar os cortes, até que a lâmina esteja completamente parada.
- For at undgå at komme til skade på grund af flyvende affald, skal man holde savhovedet nede efter skæring, indtil savklingen står helt stille.
- För att inte skadas av kringflygande flis efter genomförd sågning ska såghuvudet hållas nere tills klingan har stannat helt.
- For å unngå skader som følge av flygende flis, må du holde saghodet nede etter at sagingen er avsluttet, helt til bladet har stoppet helt.
- Pidä sahan pää sahausken jälkeen alhaalla, kunnes saha on kokonaan pysähtynyt välttääksesi lentävien roskien aiheuttaman loukkaantumisen.
- Για να αποφύγετε τραυματισμό από ιπτάμενα τεμαχίδια, κρατάτε το πριόνι με το κεφάλι προς τα κάτω, αφού κάνετε κοπές, μέχρι η λάμα να σταματήσει τελείως.



- When using the tool in the miter saw mode, secure the top table at the topmost blade never protrudes from the top surface of the top table.
- Pour utiliser l'outil en mode de scie à coupe d'onglet, fixez la table supérieure de sorte que la lame, sur sa position la plus élevée, ne dépasse jamais la surface supérieure de la table supérieure.
- Wenn Sie die Maschine im Gehrungssägenmodus verwenden, sichern Sie den oberen Tisch in der Höchststellung, damit das Sägeblatt nicht über die Oberfläche des oberen Tisches hinausragt.
- Usando l'utensile nella modalità di sega circolare, fissare il tavolo superiore in modo che quando la lama è sulla posizione più alta non sporga mai dalla superficie superiore del tavolo.
- Bij gebruik in de verstekzaagmodus dient u de boventafel in de hoogste positie vast te zetten zodat het zaagblad nooit uit het bovenvlak van de boventafel naar buiten steekt.
- Cuando utilice la herramienta en el modo de sierra de inglete, sujete la mesa superior en la posición máxima superior sin que el disco sobresalga nunca por la parte superior de la mesa superior.
- Quando utiliza a ferramenta no modo de serra de esquadria, prenda a mesa superior de modo a que a lâmina superior nunca fique saliente da superfície superior da mesa superior.
- Når maskinen anvendes i geringssav-indstilling, skal der sørges for, at det øverste bord ved den øverste klinge ikke stikker frem fra det øverste bords øverste overflade.
- Vid geringssågning måste övre sågbordet låsas så att klingan inte når upp över sågbordets yta.
- Når du bruker maskinen som gjæringssag, må du feste det øvre sagbordet i sin øverste stilling, slik at sagbladet aldri stikker frem på oversiden av det øvre sagbordet.
- Kun konetta käytetään jirisahana, varmista, että ylimmän terän kohdalla oleva yläpöytä ei koskaan ulotu yläpöydän yläpinnan yli.
- Όταν χρησιμοποιείτε το εργαλείο στην θέση λειτουργίας λοξού πριονιού, ασφαλίστε το άνω τραπέζι ώστε η λάμα κορυφής να μη προεξέχει από την άνω κορυφή του άνω τραπεζιού.



- Do not place hand or fingers close to the blade.
- Ne pas placer les mains ou les doigts près de la lame.
- Halten Sie Hände oder Finger vom Sägeblatt fern.
- Non avvicinare le mani o le dita alla lama.
- Kom met uw handen of vingers niet te dicht bij het zaagblad.
- No ponga la mano ni los dedos cerca del disco.
- Não coloque a sua mão ou dedos perto da lâmina.
- Hold hænder og fingre på god afstand af klingen.
- Håll inte händer eller fingrar i närheten av klingan.
- Ikke plasser hånd eller fingre i nærheten av bladet.
- Älä sijoita käsiä äläkä sormia terän lähelle.
- Μη βάζετε το χέρι ή τα δάκτυλα κοντά στην λάμα.



- For your safety, remove chips, small pieces, etc. from the table top before operation.
- Pour votre sécurité, retirez les copeaux et autres petites pièces présentes sur la table avant de commencer le travail.
- Zur Sicherheit sollte die Tischplatte vor dem Betrieb von Spänen, Kleinteilen usw. gesäubert werden.
- Per la propria sicurezza, togliere i trucioli, frammenti, ecc., dalla superficie superiore del piano di taglio prima di procedere.
- Verwijder voor uw eigen veiligheid zaagafval, stukjes hout e.d. van de werktafel alvorens te gaan zagen.
- Por su propia seguridad, retire las virutas, trozos pequeños, etc., de encima de la mesa de trabajo antes de iniciar la tarea.
- Para sua segurança, retire aparas, peças pequenas, etc., de cima da bancada antes da operação.
- Af sikkerhedsårsager skal spåner, små stykker etc. fjernes fra bordtoppen inden anvendelsen.
- Av säkerhetsskäl bör flisor och småbiter avlägsnas från bordet före användningen.
- For din egen sikkerhets skyld må du fjerne trebiter, flis osv. fra sagbordet før du begynder å bruke maskinen.
- Poista turvallisuudun vuoksi lastut, pienet palaset yms. pöydältä ennen työskentelyä.
- Για την ασφάλειά σας, αφαιρέστε τα αποκοπίδια, μικρά κομμάτια, κλπ. από το τραπέζι πριν από την λειτουργία.

ENGLISH


Explanation of general view

1 Auxiliary plate	32 Blade case	63 Holder assembly
2 Hex bolt	33 Arrow	64 Vise knob
3 Base	34 Outer flange	65 Projection
4 Nut	35 Inner flange	66 Vise shaft
5 Bolt	36 Spindle	67 Rod 12
6 Lower blade guard A	37 Ring	68 Vise (optional accessory)
7 Lower blade guard B	38 Riving knife	69 Spacer block
8 Top blade guard	39 Area to press in	70 Aluminum extrusion
9 Screw	40 Blade width	71 Set plate
10 Handle	41 Rip fence holder	72 Small boss
11 Lever	42 Guide rail on the top table	73 Face/edge parallel
12 Socket wrench	43 Clamping screw (A)	74 Wood screw
13 Adjusting bolt	44 Clamping screw (B)	75 Glue together
14 Top surface of turn base	45 Rip fence	76 Hole (7 mm in diameter)
15 Periphery of blade	46 Rip fence holder	77 Washer
16 Guide fence	47 Workpiece	78 Nut
17 Pointer	48 Line to be aligned with	79 Bolt M6
18 Lock lever	49 Square nut	80 Push stick
19 Grip	50 Scale	81 Auxiliary fence
20 Miter scale	51 Two screws	82 Push block
21 Bevel scale	52 Dust nozzle	83 Triangular rule
22 Switch	53 Dust bag	84 0° adjusting bolt
23 Lamp switch	54 Fastener	85 Arm
24 Lamps	55 Cap	86 45° bevel angle adjusting bolt
25 Stopper pin	56 Vacuum cleaner	87 Limit mark
26 Clamping screw	57 Blade cover	88 Screwdriver
27 Top table	58 Support	89 Brush holder cap
28 Motor housing	59 Turn base	
29 Center cover	60 Vise arm	
30 Shaft lock	61 Vise rod	
31 Saw blade	62 Holder	

SPECIFICATIONS

Model	LH1040/LH1040F
Blade diameter	255 mm – 260 mm
Hole diameter	
For all countries other than European countries	25.4 mm and 25 mm
For European countries	30 mm
Max. Cutting capacities (H x W) with blade 260 mm in diameter in the miter saw mode	

Bevel angle	Miter angle	
	0°	45°
0°	69 mm x 130 mm 93 mm x 95 mm	right 69 mm x 85 mm, 93 mm x 67 mm left 69 mm x 85 mm, 93 mm x 67 mm
45° (left)	35 mm x 130 mm 53 mm x 95 mm	right 35 mm x 91 mm, 49 mm x 67 mm left 35 mm x 65 mm, 49 mm x 42 mm

Max. Cutting capacities at 90° in the table saw (bench saw mode)	40 mm
No load speed (min ⁻¹)	4,800
Table size (W x L)	260 mm x 405 mm
Dimensions (L x W x H)	530 mm x 476 mm x 535 mm
Net weight	13.7 kg
Safety class	 /II

- Due to our continuing program of research and development, the specifications herein are subject to change without notice.
- Note: Specifications may differ from country to country.

Intended use

The tool is intended for accurate straight cutting and (only when used as a miter saw on the lower table) miter cutting in wood.

Power supply

The tool should be connected only to a power supply of the same voltage as indicated on the nameplate, and can only be operated on single-phase AC supply. They are double-insulated in accordance with European Standard and can, therefore, also be used from sockets without earth wire.

Safety hints

For your own safety, please refer to the enclosed safety instructions.

ADDITIONAL SAFETY RULES FOR TOOL

For both miter saw mode and table saw (bench saw) mode:

1. Wear eye and hearing protection. Other suitable personal protective equipment should be worn.
2. NEVER wear gloves during operation except for replacing saw blades or handling rough material before operation.
3. Keep the floor area around the tool level well maintained and free of loose materials e.g. chips and cut-offs.
4. Do not operate saw without guards and riving knife in place. Check blade guards for proper closing before each use. Do not operate saw if blade guards do not move freely and close instantly. Never clamp or tie the blade guards into the open position. Any irregular operation of the blade guards should be corrected immediately.
5. Clean and be careful not to damage the spindle, flanges (especially the installing surface) and hex bolt before or when installing the blade. Damage to these parts could result in blade breakage. Poor installation may cause vibration/wobbling or slippage of the blade. Use only flanges specified for this tool.
6. Check the blade carefully for cracks or damage before operation. Do not use saw blade which are damaged or deformed.
7. Use only saw blades recommended by the manufacturer and which conform to EN847-1, and observe that the riving knife must not be thicker than the width of the cut by the saw blade and not thinner than the body of the blade.
8. Always use accessories recommended in this manual. Use of improper accessories such as abrasive cut-off wheels may cause an injury.
9. Select the correct saw blade for the material to be cut.
10. Do not use saw blades manufactured from high speed steel.
11. To reduce the emitted noise, always be sure that the blade is sharp and clean.
12. Use correctly sharpened saw blades. Observe the maximum speed marked on the saw blade.
13. Do not cut metals such as nails and screws. Inspect for and remove all nails, screws and other foreign matter from the workpiece before operation.
14. Knock out any loose knots from workpiece BEFORE beginning to cut.
15. Don't use the tool in the presence of flammable liquids or gases.
16. For your safety, remove the chips, small pieces, etc. from the work area and table top before plugging the tool and starting operation.
17. The operator is adequately trained in the use, adjustment and operation of the tool.
18. Keep hands and make your bystander and yourself position out of path of and not in line with saw blade. Avoid contact with any coating blade. It can still cause severe injury and never reach around saw blade.
19. Be alert at all times, especially during repetitive, monotonous operations. Don't be lulled into a false sense of security. Blades are extremely unforgiving.
20. Make sure the shaft lock is released before the switch is turned on.
21. Before using the tool on an actual workpiece, let it run for a while. Watch for vibration or wobbling that could indicate poor installation or a poorly balanced blade.
22. Wait until the blade attains full speed before cutting.
23. The tool should not be used for slotting, rabbeting or grooving.
24. Refrain from removing any cut-offs or other parts of the workpiece from the cutting area whilst the tool is running and the saw head is not in the rest position.
25. Stop operation immediately if you notice anything abnormal.
26. Turn off tool and wait for saw blade to stop before moving workpiece or changing settings.
27. Unplug tool before changing blade, servicing or not in use.
28. Some dust created from operation contains chemicals known to cause cancer, birth defects or other reproductive harm. Some examples of these chemicals are:
 - lead from lead-based-painted material and,
 - arsenic and chromium from chemically-treated lumber.Your risk from these exposures varies, depending on how often you do this type of work. To reduce your exposure to these chemicals: work in a well ventilated area and work with approved safety equipment, such as those dust masks that are specially designed to filter out microscopic particles.
29. Connect the tool to a dust collecting device when sawing.

When using in miter saw mode:

30. Do not use the saw to cut other than wood, aluminum or similar materials.
31. Do not perform operation freehand when cutting workpiece in an area close to saw blade. The workpiece must be secured firmly against the turn base and guide fence during all operations.
32. Make sure that the turn base is properly secured so it will not move during operation.
33. Make sure that the arm is securely fixed when beveling. Tighten the lever clockwise to fix the arm.

34. Make sure the blade does not contact the turn base in the lowest position and is not contacting the workpiece before the switch is turned on.
35. Hold the handle firmly. Be aware that the saw moves up or down slightly during start-up and stopping.
36. Replace the kerf board when worn.

When using in the table saw (bench saw) mode:

37. Do not perform any operation freehand. Freehand means using your hands to support or guide the workpiece, in lieu of a rip fence.
38. Make sure that the arm is securely fixed in the working position. Tighten the lever clockwise to fix the arm.
39. Use a push stick or a push block to avoid working with the hands and fingers close to the saw blade.
40. Make sure that the bench saw table is securely fixed at the chosen height.
41. Make sure the blade is not contacting the riving knife or workpiece before the switch is turned on.
42. Always store the push-stick when it is not in use.
43. Pay particular attention to instructions for reducing risk of KICKBACK. KICKBACK is a sudden reaction to a pinched, bound or misaligned saw blade. KICKBACK causes the ejection of the workpiece from the tool back towards the operator. KICKBACKS CAN LEAD TO SERIOUS PERSONAL INJURY. Avoid KICKBACKS by keeping the blade sharp, by keeping the rip fence parallel to the blade, by keeping the riving knife and blade guard in place and operating properly, by not releasing the workpiece until you have pushed it all the way past the blade, and by not ripping a workpiece that is twisted or warped or does not have a straight edge to guide along the fence.
44. Avoid abrupt, fast feeding. Feed as slowly as possible when cutting hard workpieces. Do not bend or twist workpiece while feeding. If you stall or jam the blade in the workpiece, turn the tool off immediately. Unplug the tool. Then clear the jam.

SAVE THESE INSTRUCTIONS.

INSTALLATION

CAUTION:

- Keep the floor area around the tool level well maintained and free of loose materials such as chips and cut-offs.

Installing auxiliary plate (Fig. 1 & 2)

Install the auxiliary plate using the notch in the tool's base and secure it by tightening the hex bolt.

Bench mounting (Fig. 3)

This tool should be bolted with two bolts to a level and stable surface using the bolt holes provided in the tool's base. This will help prevent tipping and possible injury.

FUNCTIONAL DESCRIPTION

CAUTION:

- Always be sure that the tool is switched off and unplugged before adjusting or checking function on the tool.

Blade guard (Fig. 4 & 5)

CAUTION:

- Make sure that the handle cannot be lowered without pushing the lever nearby the handle to the left.
- Make sure that the lower blade guards A and B dose not open unless the lever near the handle is pushed at the topmost position of the handle.

When lowering the handle while pushing the lever to the left, the lower blade guard A rises automatically. The lower blade guard B rises as it contacts a workpiece. The lower blade guards are spring loaded so it returns to its original position when the cut is completed and the handle is raised. The top blade guard falls flat on the top surface after workpiece has passed under it. NEVER DEFEAT OR REMOVE THE LOWER BLADE GUARDS, THE SPRING WHICH ATTACHES TO THE LOWER BLADE GUARD, OR THE TOP BLADE GUARD.

In the interest of your personal safety, always maintain each blade guard in good condition. Any irregular operation of the guards should be corrected immediately. Check to assure spring loaded return action of the lower blade guards. NEVER USE THE TOOL IF THE LOWER BLADE GUARD, SPRING OR THE TOP BLADE GUARD ARE DAMAGED, FAULTY OR REMOVED. DOING SO IS HIGHLY DANGEROUS AND CAN CAUSE SERIOUS PERSONAL INJURY.

If any of these see-through blade guards becomes dirty, or sawdust adheres to it in such a way that the blade is no longer easily visible, unplug the saw and clean the guards carefully with a damp cloth. Do not use solvents or any petroleum-based cleaners on the plastic guard.

If the lower blade guard A is especially dirty and vision through the guard is impaired, proceed as follows. Fix the top table at the fully elevated position, raise the handle fully, push in fully the stopper pin with the handle fully raised, and use the supplied socket wrench to loosen the hex bolt holding the center cover. Loosen the hex bolt by turning it counterclockwise and raise the lower blade guard A and center cover while pushing the lever to the left. With the lower blade guard A so positioned, cleaning can be more completely and efficiently accomplished. When cleaning is complete, reverse procedure above and secure bolt.

In the same case for the top blade guard as above stated, loosen the screw holding it with a screwdriver and remove the top blade guard. After cleaning, always reinstall it securely by tightening the screw to the extent that the top blade guard moves smoothly up or down.

If any of these blade guards becomes discolored through age or UV light exposure, contact a Makita service center for a new guard. DO NOT DEFEAT OR REMOVE GUARDS.

Maintaining maximum cutting capacity (Fig. 6 & 7)

This tool is factory adjusted to provide the maximum cutting capacity for a 260 mm saw blade.

When installing a new blade, always check the lower limit position of the blade and if necessary, adjust it as follows:

CAUTION:

- When making this adjustment, position the top table at the lowest position after unplugging the tool.

First, unplug the tool. Position the top table at the lowest position. Lower the handle completely. Use the socket wrench to turn the adjusting bolt that you can find below in the biggest hole in the top table, until the periphery of the blade extends slightly below the top surface of the turn base at the point where the front face of the guide fence meets the top surface of the turn base.

With the tool unplugged, rotate the blade by hand while holding the handle all the way down to be sure that the blade does not contact any part of the lower base. Re-adjust slightly, if necessary.

CAUTION:

- After installing a new blade, always be sure that the blade does not contact any part of the lower base when the handle is lowered completely. Always do this with the tool unplugged.

Adjusting the miter angle (Fig. 8)

Loosen the grip by turning counterclockwise. Turn the turn base while pressing down the lock lever. When you have moved the grip to the position where the pointer points to the desired angle on the miter scale, securely tighten the grip clockwise.

CAUTION:

- When turning the turn base, be sure to raise the handle fully.
- After changing the miter angle, always secure the turn base by tightening the grip firmly.

Adjusting the bevel angle (Fig. 9 & 10)

To adjust the bevel angle, loosen the lever at the rear of the tool counterclockwise.

Push the handle to the left to tilt the saw blade until the pointer points to the desired angle on the bevel scale. Then tighten the lever clockwise firmly to secure the arm.

CAUTION:

- When tilting the saw blade, be sure to raise the handle fully.
- After changing the bevel angle, always secure the arm by tightening the lever clockwise.

Switch action (Fig. 11)

CAUTION:

- Before operation, make sure that the tool is turned on and off.

To start the tool, press the ON (I) button. To stop it, press the OFF (O) button.

Lighting up the lamps (Fig. 11 & 12)

For Model LH1040F only

Push the upper position of the switch for turning on the light and the lower position for off.

CAUTION:

- Do not look in the light or see the source of light directly.

NOTE:

- Use a dry cloth to wipe the dirt off the lens of lamp. Be careful not to scratch the lens of light, or it may lower the illumination.

Adjusting the level of top table (Fig. 13)

To adjust the level of top table, loosen two levers by turning counterclockwise and then raise or lower the top table. Tighten these levers firmly after the adjustment.

WARNING:

- Position the top table at the topmost position when using the tool in the miter saw mode and at the desired position when using in the table saw mode (bench mode).

ASSEMBLY

CAUTION:

- Always be sure that the tool is switched off and unplugged before carrying out any work on the tool.

Installing or removing saw blade

CAUTION:

- Always be sure that the tool is switched off and unplugged before installing or removing the blade.
- Use only the Makita socket wrench provided to install or remove the blade. Failure to do so may result in overtightening or insufficient tightening of the hex bolt. This could cause an injury.

Secure the top table at the topmost position.

Lock the handle in the raised position by pushing in the stopper pin. (Fig. 14)

To remove the blade, first loosen the clamping screw so that the lower blade guard B is lowered as shown in the figure. (Fig. 15)

Then use the socket wrench to loosen the hex bolt holding the center cover by turning it counterclockwise. Raise the lower blade guard A and center cover while pushing the lever nearby the handle to the left. (Fig. 16)

Press the shaft lock to lock the spindle and use the socket wrench to loosen the hex bolt clockwise. Then remove the hex bolt, outer flange and blade. (Fig. 17)

To install the blade, mount it carefully onto the spindle, making sure that the direction of the arrow on the surface of the blade matches the direction of the arrow on the blade case. Install the outer flange and hex bolt, and then use the socket wrench to tighten the hex bolt (left-handed) securely counterclockwise while pressing the shaft lock. (Fig. 18 & 19)

NOTE:

- When installing a saw blade, be sure to insert it from the outside of the blade guard B at first and then raise it so that the blade is finally placed in the blade guard B.

For all countries other than European countries

CAUTION:

- The silver ring 25.4 mm in outer diameter is factory-installed onto the spindle. The black ring 25 mm in outer diameter is included as standard equipment. Before mounting the blade onto the spindle, always be sure that the correct ring for the arbor hole of the blade you intend to use is installed onto the spindle. (Fig. 20)

For European countries

CAUTION:

- The ring 30 mm in outer diameter is factory-installed between the inner and outer flanges. (Fig. 20)

Return the lower blade guard A and center cover to its original position. Then tighten the hex bolt clockwise to secure the center cover. Raise the blade guard B as far as it will go and tighten the clamping screw firmly while holding it in the raised position. Lower the handle to make sure that the lower blade guards move properly. Make sure shaft lock has released spindle before making cut.

Adjusting riving knife

Before adjusting the riving knife, loosen the two levers by turning counterclockwise and press the top table on the right side nearby the riving knife to its lowered position.

Then secure the top table by firmly re-tightening the two levers as shown in the figure. (Fig. 21)

There must be a clearance of about 4 – 5 mm between the riving knife and the blade teeth. Adjust the riving knife accordingly by loosening two hex bolts counterclockwise with the hex socket wrench and measuring the distance. Tighten the hex bolts securely, and then check to see that the top blade guard works smoothly before cutting. (Fig. 22)

The riving knife has been installed before shipment from the factory so that the blade and riving knife are in a straight line. (Fig. 23)

CAUTION:

- If the blade and riving knife are not aligned properly, a dangerous pinching condition may result during operation. Make sure they are properly aligned. You could suffer serious personal injury while using the tool without a properly aligned riving knife. If they are not aligned for any reasons, always have Makita authorized service center repair it.

Installing and adjusting rip fence

1. Install the rip fence on the table so that the rip fence holder engages with the guide rail. Tighten the clamping screw (B) of the rip fence firmly clockwise.
2. Loosen the clamping screw (A).
3. Slide the rip fence and secure it so that the far end from you of the rip fence is aligned with the point at which the front edge of saw blade just appears from top surface of the workpiece. The purpose of this adjustment is to reduce risk of kick-back toward operator that cut piece from the workpiece is pinched between the saw blade and rip fence and finally pushed out toward operator. The line 3 varies by thickness of workpiece or the table level. Adjust the position of the rip fence according to the thickness of the workpiece.
After adjusting the rip fence, tighten the clamping screw (A) firmly. (Fig. 24 & 25)

NOTE:

- There are four patterns to position the rip fence as shown in the figure. (Fig. 26) Rip fence has two slits on its sides, one slit with an elevated fringe nearby on the same side and the other without it. Use the surface of rip fence with this fringe facing the workpiece only when cutting off into a piece of a thin workpiece.
- To change the rip fence pattern, remove the rip fence from the rip fence holder by loosening the clamping screw (A) and change the facing of the rip fence to the rip fence holder so that the rip fence faces the rip fence holder according to your work as shown in the figure. Insert the square nut on the rip fence holder into the back end of either slit of the rip fence so that they fit as shown in the figure.

To change from the pattern A or B to the pattern C or D, or in adverse case, remove the square nut, washer and clamping screw (A) from the rip fence holder, then position the clamping screw (A), washer and square nut on the opposite position of the rip fence holder compared to the original position. Tighten the clamping screw (A) securely after inserting the square nut of the rip fence holder into the rip fence slit. Insert the square nut on the rip fence holder into the back end of either slit of the rip fence so that they fit as shown in the figure. (Fig. 27)

The rip fence is factory adjusted so that it is parallel to the blade surface. Make sure that it is parallel. To check to be sure that the rip fence is parallel with the blade. Lower the table to the lowest position so that the blade appears at the topmost position from the table. Mark one of the blade teeth with a crayon. Measure the distance (A) and (B) between the rip fence and blade. Take both measurements using the tooth marked with the crayon. (Fig. 28) These two measurements should be identical. If the rip fence is not parallel with the blade, proceed as follows: (Fig. 29)

1. Turn two adjusting screws counterclockwise.
2. Shift the back edge of the rip fence slightly to right or left until it becomes parallel with the blade.
3. Tighten the two screws on the rip fence firmly.

CAUTION:

- Be sure to adjust the rip fence so that it is parallel with the blade, or a dangerous kickback condition may occur.
- Be sure to adjust the rip fence so that it does not contact the top blade guard or saw blade. (Fig. 30)

Dust bag

The use of the dust bag makes cutting operations clean and dust collection easy. To attach the dust bag, fit it onto the dust nozzle. (Fig. 31)

NOTE:

- In miter saw mode, always insert the dust bag to the back nozzle only.

When the dust bag is about half full, remove the dust bag from the tool and pull the fastener out. Empty the dust bag of its contents, tapping it lightly so as to remove particles adhering to the insides which might hamper further collection. (Fig. 32)

If you connect a vacuum cleaner to your saw, more efficient and cleaner operations can be performed.

To install the blade cover when using in the table saw mode (bench mode), turn the turn base to 0° miter angle (see the section titled "Adjusting miter angle") and place the blade cover on the turn table so that the blade cover is centered over the slit for the blade entrance in the turn table and then lock the handle in the lowest position by fully pushing in the stopper pin as shown in the figure. **(Fig. 33)**

NOTE:

- To attach the dust bag to the front dust nozzle in the table saw mode (bench mode), first remove the cap from the front dust nozzle and then attach the dust bag to the dust nozzle.
- When not in use of dust bag, always replace the cap to the front dust nozzle. Failure to do so result in dust scattering from the nozzle.
- When using the tool in the table saw mode (bench mode), make sure that the blade cover is installed on the turn table.

Securing workpiece

Whenever possible, secure the workpiece with the optional vise. If you must use your hand to hold the workpiece, then it must be done firmly and securely so as not to lose control of the workpiece. Your hand and arm must be kept well away from the blade area (100 mm minimum). Squeeze the workpiece firmly against the guide fence with your fingers held over the top of the guide fence. The workpiece must also rest steadily on the turn base.

WARNING:

- Never use your hand to hold the workpiece that requires your hand to be any closer than 100 mm from the blade area. In this case, always use the optional vise to secure the workpiece. After any cutting operation, raise the blade gently. Never raise the blade until it has come to a complete stop. Serious injury may result.

CAUTION:

- When cutting long workpieces, use supports that are as high as the top surface level of the turn base. Do not rely solely on the vertical vise and/or horizontal vise (both optional) to secure the workpiece. **(Fig. 34)**
Thin material tends to sag. Support workpiece over its entire length to avoid blade pinch and possible KICK-BACK.

Vertical vise (optional accessory) (Fig. 35)

The vertical vise can be installed in two positions on either the left or right side of the guide fence or the holder assembly (optional accessory). Insert the vise rod into the hole in the guide fence or the holder assembly and tighten the screw to secure the vise rod.

Position the vise arm according to the thickness and shape of the workpiece and secure the vise arm by tightening the screw. If the screw to secure the vise arm contacts the guide fence, install the screw on the opposite side of vise arm. Make sure that no part of the tool contacts the vise when lowering the handle all the way. If some part contacts the vise, re-position the vise.

Press the workpiece flat against the guide fence and the turn base. Position the workpiece at the desired cutting position and secure it firmly by tightening the vise knob.

CAUTION:

- The workpiece must be secured firmly against the turn base and guide fence.

Horizontal vise (optional accessory) (Fig. 36)

The horizontal vise can be installed on either the left or right side of the base. When performing 15° or greater miter cuts, install the horizontal vise on the side opposite the direction in which the turn base is to be turned. By turning the vise knob counterclockwise, the screw is released and the vise shaft can be moved rapidly in and out. By turning the vise knob clockwise, the screw remains secured. To grip the workpiece, turn the vise knob gently clockwise until the projection reaches its topmost position, then fasten securely. If the vise knob is forced in or pulled out while being turned clockwise, the projection may stop at an angle. In this case, turn the vise knob back counterclockwise until the screw is released, before turning again gently clockwise.

The maximum width of the workpiece which can be secured by the horizontal vise is 130 mm.

Holders and holder assembly (optional accessories)

The holders and the holder assembly can be installed on either side as a convenient means of supporting workpieces horizontally. Install them as shown in the figure. Then tighten the screws firmly to secure the holders and the holder assembly. **(Fig. 37)**

When cutting long workpieces, use the holder-rod assembly (optional accessory). It consists of two holder assemblies and two rods. **(Fig. 38)**

CAUTION:

- Always support long workpieces level with the top surface of the turn base for accurate cuts and to prevent dangerous loss of control of the tool.

OPERATION

CAUTION:

- Before use, be sure to release the handle from the lowered position by pulling the stopper pin.
- Make sure the blade is not contacting the workpiece, etc. before the switch is turned on.

CUTTING AS MITER SAW

WARNING:

- When using the tool in the miter saw mode, secure the top table at the topmost position so that the saw blade never protrudes from the top surface of the top table.

CAUTION:

- Do not apply excessive pressure on the handle when cutting. Too much force may result in overload of the motor and/or decreased cutting efficiency. Push down handle with only as much force as is necessary for smooth cutting and without significant decrease in blade speed.
- Gently press down the handle to perform the cut. If the handle is pressed down with force or if lateral force is applied, the blade will vibrate and leave a mark (saw mark) in the workpiece and the precision of the cut will be impaired.

1. Press cutting (Fig. 39)

Secure the workpiece against guide fence and turn table. Switch on the tool without the blade making any contact and wait until the blade attains full speed before lowering. Then gently lower the handle to the fully lowered position to cut the workpiece. When the cut is completed, switch off the tool and WAIT UNTIL THE BLADE HAS COME TO A COMPLETE STOP before returning the blade to its fully elevated position.

2. Miter cutting

Refer to the previously covered "Adjusting the miter angle".

3. Bevel cut (Fig. 40)

Loosen the lever and tilt the saw blade to set the bevel angle (Refer to the previously covered "Adjusting the bevel angle"). Be sure to retighten the lever firmly to secure the selected bevel angle safely. Secure the workpiece against guide fence and turn table. Make sure the carriage is pulled all the way back toward the operator. Switch on the tool without the blade making any contact and wait until the blade attains full speed. Then gently lower the handle to the fully lowered position while applying pressure in parallel with the blade. When the cut is completed, switch off the tool and WAIT UNTIL THE BLADE HAS COME TO A COMPLETE STOP before returning the blade to its fully elevated position.

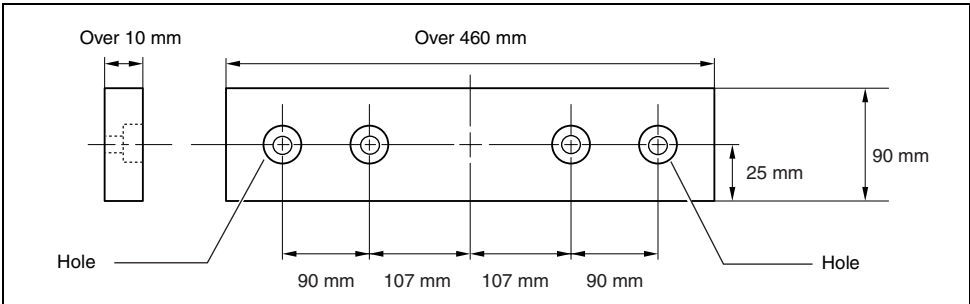
CAUTION:

- Always be sure that the blade will move down to bevel direction during a bevel cut. Keep hands out of path of saw blade.
- During a bevel cut, it may create a condition whereby the piece cut off will come to rest against the side of the blade. If the blade is raised while the blade is still rotating, this piece may be caught by the blade, causing fragments to be scattered which is dangerous. The blade should be raised ONLY after the blade has come to a complete stop.
- When pressing the handle down, apply pressure parallel to the blade. If the pressure is not parallel to the blade during a cut, the angle of the blade might be shifted and the precision of the cut will be impaired.

6. Wood facing

Use of wood facing helps to assure splinter-free cuts in workpieces. Attach a wood facing to the guide fence using the holes in the guide fence.

See the figure concerning the dimensions for a suggested wood facing.



CAUTION:

- Use straight wood of even thickness as the wood facing.
- Use screws to attach the wood facing to the guide fence. The screws should be installed so that the screw heads are below the surface of the wood facing.
- When the wood facing is attached, do not turn the turn base with the handle lowered. The blade and/or the wood facing will be damaged.

4. Compound cutting

Compound cutting is the process in which a bevel angle is made at the same time in which a miter angle is being cut on a workpiece. Compound cutting can be performed at angle shown in the table.

Bevel angle	Miter angle
45°	Left and Right 0° – 45°

When performing compound cutting, refer to "Press cutting", "Miter cutting" and "Bevel cut" explanations.

5. Cutting aluminum extrusion (Fig. 41)

When securing aluminum extrusions, use spacer blocks or pieces of scrap as shown in the figure to prevent deformation of the aluminum. Use a cutting lubricant when cutting the aluminum extrusion to prevent buildup of the aluminum material on the blade.

CAUTION:

- Never attempt to cut thick or round aluminum extrusions. Thick aluminum extrusions may come loose during operation and round aluminum extrusions cannot be secured firmly with this tool.
- Never cut aluminum in the table saw mode (bench mode).

7. Cutting repetitive lengths (Fig. 42)

When cutting several pieces of stock to the same length, ranging from 240 mm to 400 mm, use of the set plate will facilitate more efficient operation. Install the set plate on the holder as shown in the figure.

Align the cutting line on your workpiece with either the left or right side of the groove in the kerf board, and while holding the workpiece from moving, move the set plate flush against the end of the workpiece. Then secure the set plate with the screw. When the set plate is not used, loosen the screw and turn the set plate out of the way.

NOTE:

- Use of the holder-rod assembly (optional accessory) allows cutting repetitive lengths up to 2,200 mm approximately.

CUTTING AS TABLE SAW (BENCH MODE)

CAUTION:

- When using the tool in the table saw mode (bench mode), place the blade cover on the turn table so that the blade cover is centered over the slit for the blade entrance in the turn table and two small bosses on the underside of the blade cover fit into the semi-circular slit in the periphery of the turn table as shown in the figure and then lock the handle in the lowest position by fully pushing in the stopper pin. **(Fig. 43)**
- Always use “work helpers” such as push sticks and push blocks when there is a danger that your hands or fingers will come close to the blade.
- NEVER withdraw the workpiece while the blade is running. If you must withdraw the workpiece before completing a cut, first switch the tool off while holding the workpiece firmly. Wait until the blade has come to a complete stop before withdrawing the workpiece. Failure to do so may cause dangerous kickbacks.
- NEVER remove cut-off material while the blade is running.
- NEVER place your hands or fingers in the path of the saw blade.
- Always secure the rip fence firmly, or dangerous kickbacks may occur.

Work helpers

Push sticks, push blocks or auxiliary fence are types of “work helpers”. Use them to make safe, sure cuts without the need for the operator to contact the blade with any part of the body.

Push block (Fig. 44)

Use a 15 mm piece of plywood.

Handle should be in center of plywood piece. Fasten with glue and wood screws as shown. Small piece 10 mm x 9 mm x 30 mm of wood must always be glued to plywood to keep the blade from dulling if the operator cuts into push block by mistake. (Never use nails in push block.)

Auxiliary fence (Fig. 45 & 46)

Make auxiliary fence from 10 mm and 15 mm plywood pieces.

Remove the rip fence, clamping screw (A), flat washer and square nut from the rip fence holder and then attach and secure the auxiliary fence to the rip fence holder by using a bolt M6 longer than M6 x 50, washers and nut.

Ripping

CAUTION:

- When cutting long or large workpieces, always provide adequate support behind the table. DO NOT allow a long board to move or shift on the table. This will cause the blade to bind and increase the possibility of kick-back and personal injury. The support should be at the same height as the table.
 1. Adjust the depth of cut a bit higher than the thickness of the workpiece. To make this adjustment, loosen two levers and lower or raise the top table.
 2. Position the rip fence to the desired width of rip and secure in place by tightening the clamping screw (A). Before ripping, make sure the two screws of the rip fence holder are secured. If it is not secured enough, retighten it.
 3. Turn the tool on and gently feed the workpiece into the blade along with the rip fence.
 - (1) When the width of rip is 40 mm or wider, use a push stick. **(Fig. 47)**
 - (2) When the width of rip is narrower than 40 mm, the push stick cannot be used because the push stick will strike the top blade guard. Use the auxiliary fence and push block. Install securely the auxiliary fence which is secured to the rip fence holder on the table. Feed the workpiece by hand until the end is about 25 mm from the front edge of the top table. Continue to feed using the push block on the top of the auxiliary fence until the cut is complete. **(Fig. 48)**

Carrying tool

Make sure that the tool is unplugged. Secure the blade at 0° bevel angle and the turn base at left miter angle fully. Lower the handle fully and lock it in the lowered position by fully pushing in the stopper pin. **(Fig. 49)**

Carry the tool by holding both sides of the tool base as shown in the figure. If you remove the holders, dust bag, etc., you can carry the tool more easily. **(Fig. 50)**

CAUTION:

- Always secure all moving portions before carrying the tool.

MAINTENANCE

CAUTION:

- Always be sure that the tool is switched off and unplugged before attempting to perform inspection or maintenance.

WARNING:

- Always be sure that the blade is sharp and clean for the best and safest performance.

Adjusting the cutting angle

This tool is carefully adjusted and aligned at the factory, but rough handling may have affected the alignment. If your tool is not aligned properly, perform the following:

1. Miter angle

Loosen the grip which secures the turn base. Turn the turn base so that the pointer points to 0° on the miter scale. Tighten the grip and loosen the hex bolts securing the guide fence using the socket wrench. **(Fig. 51)**

Lower the handle fully and lock it in the lowered position by pushing in the stopper pin. Square the side of the blade with the face of the guide fence using a triangular rule, try-square, etc. Then securely tighten the hex bolts on the guide fence in the order from the right side. **(Fig. 52)**

2. Bevel angle

(1) 0° bevel angle

Lower the handle fully and lock it in the lowered position by pushing in the stopper pin. Loosen the lever at the rear of the tool. Turn the 0° bevel angle adjusting bolt on the right side of the turn base two or three revolutions clockwise to tilt the blade to the right. **(Fig. 53)**

Carefully square the side of the blade with the top surface of the turn base using the triangular rule, try-square, etc. by turning the 0° bevel angle adjusting bolt counterclockwise. **(Fig. 54)**

Make sure that the pointer on the turn base point to 0° on the bevel scale on the arm. If it does not point to 0°, loosen the screw which secures the pointer and adjust the pointer so that it will point to 0°. **(Fig. 55)**

(2) 45° bevel angle

Adjust the 45° bevel angle only after performing 0° bevel angle adjustment. To adjust left 45° bevel angle, loosen the lever and tilt the blade to the left fully. Make sure that the pointer on the arm points to 45° on the bevel scale on the arm. If the pointer does not point to 45°, turn the 45° bevel angle adjusting bolt on the left side of the arm until the pointer points to 45°. **(Fig. 56)**

Replacing carbon brushes (Fig. 57 & 58)

Remove and check the carbon brushes regularly. Replace when they wear down to the limit mark. Keep the carbon brushes clean and free to slip in the holders. Both carbon brushes should be replaced at the same time. Use only identical carbon brushes.

Use a screwdriver to remove the brush holder caps. Take out the worn carbon brushes, insert the new ones and secure the brush holder caps.

After use

- After use, wipe off chips and dust adhering to the tool with a cloth or the like. Keep the blade guard clean according to the directions in the previously covered section titled "Blade guard". Lubricate the sliding portions with tool oil to prevent rust.

To maintain product SAFETY and RELIABILITY, repairs, any other maintenance or adjustment should be performed by Makita Authorized Service Centers, always using Makita replacement parts.

ACCESSORIES

CAUTION:

- These accessories or attachments are recommended for use with your Makita tool specified in this manual. The use of any other accessories or attachments might present a risk of injury to persons. Only use accessory or attachment for its stated purpose.

If you need any assistance for more details regarding these accessories, ask your local Makita service center.

- Steel & Carbide-tipped saw blades
- Auxiliary plate
- Vise assembly (Horizontal vise)
- Vertical vise
- Socket wrench 13
- Holder set
- Holder assembly
- Holder rod assembly
- Set plate
- Dust bag
- Triangular rule
- Blade cover (Blade guard C)
- Push stick
- Ruler assembly (Rip fence)

Descriptif

1	Plaque auxiliaire	33	Flèche	64	Poignée de l'étau
2	Boulon hexagonal	34	Flasque extérieur	65	Ergot
3	Socle	35	Flasque intérieur	66	Axe de l'étau
4	Écrou	36	Axe	67	Tige 12
5	Boulon	37	Bague	68	Étau (accessoire en option)
6	Protecteur de lame inférieur A	38	Couteau diviseur	69	Cale d'écartement
7	Protecteur de lame inférieur B	39	Zone à presser	70	Profilé d'aluminium
8	Protecteur de lame supérieur	40	Largeur de la lame	71	Plaque de fixation
9	Vis	41	Support du garde parallèle	72	Petit bossage
10	Poignée	42	Rail du guide sur la table supérieure	73	Face/bord parallèles
11	Levier	43	Vis de serrage (A)	74	Vis à bois
12	Clé à douille	44	Vis de serrage (B)	75	Coller ensemble
13	Boulon de réglage	45	Garde parallèle	76	Orifice (7 mm de diamètre)
14	Face supérieure du socle rotatif	46	Support du garde parallèle	77	Etrier
15	Bord de la lame	47	Pièce	78	Écrou
16	Guide	48	Ligne d'alignement	79	Boulon M6
17	Index	49	Écrou carré	80	Bâton poussoir
18	Levier de verrouillage	50	Échelle	81	Garde auxiliaire
19	Manche	51	Deux vis	82	Bloc poussoir
20	Secteur	52	Raccord à poussières	83	Règle triangulaire
21	Échelle de coupe en biseau	53	Sac à poussière	84	Boulon de réglage 0°
22	Interrupteur	54	Fermeture	85	Bras
23	Interrupteur de lampe	55	Bouchon	86	Boulon de réglage de coupe en biseau 45°
24	Lampes	56	Aspirateur	87	Repère d'usure
25	Broche d'arrêt	57	Carter de lame	88	Tournevis
26	Vis de serrage	58	Cale	89	Bouchon de porte-charbon
27	Table supérieure	59	Socle rotatif		
28	Carter du moteur	60	Bras de l'étau		
29	Capot central	61	Tige de l'étau		
30	Blocage de l'arbre	62	Servante		
31	Lame	63	Butée		
32	Porte-lame				

SPECIFICATIONS

Modèle

LH1040/LH1040F

Diamètre de la lame 255 mm à 260 mm

Diamètre de l'orifice

Pour tous les pays à l'exception de l'Europe 25,4 mm et 25 mm

Pour l'Europe 30 mm

Capacités max. de coupe (Hauteur x Largeur) avec une lame à diamètre de 260 mm, en mode de scie à coupe d'onglet

Angle de biseau	Angle d'onglet	
	0°	45°
0°	69 mm x 130 mm 93 mm x 95 mm	droite 69 mm x 85 mm, 93 mm x 67 mm gauche 69 mm x 85 mm, 93 mm x 67 mm
45° (gauche)	35 mm x 130 mm 53 mm x 95 mm	droite 35 mm x 91 mm, 49 mm x 67 mm gauche 35 mm x 65 mm, 49 mm x 42 mm

Capacités max. de coupe à 90° en mode de scie circulaire à table (scie d'établi) 40 mm

Vitesse à vide (min⁻¹) 4 800

Dimensions de la table (Largeur x Longueur) 260 mm x 405 mm

Dimensions (L x l x H) 530 mm x 476 mm x 535 mm

Poids net 13,7 kg

Classe de sûreté  II

- Etant donné l'évolution constante de notre programme de recherche et de développement, les spécifications contenues dans ce manuel sont sujettes à modification sans préavis.
- Note : Les spécifications peuvent varier suivant les pays.

Utilisations

L'outil est conçu pour la coupe rectiligne de précision et (uniquement lorsque utilisé comme scie à coupe d'onglet sur la table inférieure) pour la coupe d'onglet dans le bois.

Alimentation

L'outil ne devra être raccordé qu'à une alimentation de la même tension que celle qui figure sur la plaque signalétique, et il ne pourra fonctionner que sur un courant secteur monophasé. Réalisé avec une double isolation, il est conforme à la réglementation européenne et peut de ce fait être alimenté sans mise à la terre.

Consignes de sécurité

Pour votre propre sécurité, reportez-vous aux consignes de sécurité qui accompagnent l'outil.

CONSIGNES DE SÉCURITÉ ADDITIONNELLES POUR L'OUTIL

Pour le mode de scie à coupe d'onglet et le mode de scie circulaire à table (scie d'établi) :

1. Portez des lunettes de sécurité et des protections d'oreilles. Il convient également de porter tout autres dispositif de protection personnelle nécessaire.
2. **NE JAMAIS** porter de gants lors de l'utilisation, sauf pour remplacer les lames ou manipuler les matériaux rugueux avant la coupe.
3. Le plancher doit être maintenu en bon ordre et exempt de matériaux tels que copeaux et retailles autour de la zone d'utilisation de l'outil.
4. Ne pas utiliser la scie sans d'abord mettre en place les protecteurs et le couteau diviseur. Vérifiez le bon fonctionnement des protecteurs de lame avant chaque utilisation. Ne pas utiliser la scie si les protecteurs de lame ne se déplacent pas librement et ne se referment pas instantanément sur la lame. Ne jamais fixer ou attacher les protecteurs de lame en position ouverte. Tout fonctionnement anormal des protecteurs de lame doit être immédiatement corrigé.
5. Avant ou pendant l'installation de la lame, nettoyez et manipulez avec soin l'axe, les flasques (tout spécialement la surface d'installation) et le boulon hexagonal pour éviter de les endommager. Tout dommage subi par ces pièces risquerait d'entraîner le bris de la lame. La lame risque de vibrer, sautiller ou onduler si elle n'est pas correctement installée. Utilisez exclusivement les flasques spécifiés pour cet outil.
6. Avant l'utilisation, assurez-vous que la lame ne comporte aucune fissure et n'est pas endommagée. Ne pas utiliser la lame si elle est endommagée ou déformée.
7. Utilisez exclusivement les lames recommandées par le fabricant et conformes à la norme EN847-1, et notez que le couteau diviseur ne doit être ni plus épais que la largeur de la coupe effectuée par la lame, ni plus mince que le corps de la lame.
8. Utilisez toujours les accessoires recommandés dans le présent manuel. L'utilisation d'accessoires inadéquats, tels que les meules à tronçonner, comporte un risque de blessure.

9. Sélectionnez la lame qui convient au type de matériau à couper.
10. Ne pas utiliser de lames fabriquées en acier à coupe rapide.
11. Pour réduire le bruit émis par la lame, assurez-vous toujours qu'elle est bien affûtée et propre.
12. Utilisez des lames bien affûtées. Respectez la vitesse maximale indiquée sur la lame.
13. Ne pas couper les pièces de métal telles que clous et vis. Avant de procéder à la coupe, vérifiez la pièce pour en retirer les clous, vis et autres corps étrangers.
14. AVANT de commencer la coupe, éliminez tous les nœuds vicieux de la pièce.
15. Ne pas utiliser l'outil en présence de gaz ou liquides inflammables.
16. Pour votre propre sécurité, retirez les copeaux, petites pièces, etc., qui se trouvent dans la zone de travail ou sur la table supérieure avant de brancher l'outil et de l'utiliser.
17. L'utilisateur doit avoir reçu une formation adéquate concernant l'utilisation, le réglage et le fonctionnement de l'outil.
18. Évitez que vos mains, ainsi que toute personne, y compris vous-même, ne se trouvent sur la ligne de coupe de la lame. Évitez tout contact avec une lame en roue libre. Même une lame en roue libre comporte un risque de blessure grave. Gardez les mains à l'écart de la lame.
19. Restez vigilant en tout temps, et surtout lors des sciages répétés et monotones. Ne vous laissez jamais prendre par un sentiment trompeur de sécurité. Les lames de scie ne pardonnent pas.
20. Assurez-vous que le blocage de l'arbre est libéré avant de mettre le contact.
21. Avant de scier la pièce, faites tourner l'outil un instant à vide. Assurez-vous que la lame ne vibre pas et ne sautille pas, ce qui signifierait qu'elle est mal installée ou mal équilibrée.
22. Avant de scier, attendez que la lame ait atteint sa pleine vitesse.
23. L'outil ne doit pas être utilisé pour les opérations de taille, feuillure et rainure.
24. Évitez de retirer de la zone de coupe les retailles et autres bouts détachés de la pièce pendant que l'outil tourne et que la tête porte-scie n'est pas en position de repos.
25. Arrêtez immédiatement le sciage si vous remarquez quoi que ce soit d'anormal.
26. Coupez le contact et attendez l'arrêt de la lame avant de déplacer la pièce ou de modifier les réglages.
27. Débranchez l'outil avant de changer la lame, avant de réparer l'outil et après l'utilisation.

28. Les poussières dégagées lors de l'utilisation de l'outil peuvent contenir certains produits chimiques reconnus comme pouvant causer le cancer, des anomalies congénitales ou autres problèmes de reproduction. Parmi ces produits chimiques figurent notamment :
- le plomb que contiennent les matériaux recouverts de peinture à base de plomb, ainsi que
 - l'arsenic et le chrome que contient le bois de construction traité chimiquement.
- Les risques encourus varient suivant la fréquence d'exposition qu'implique votre travail. Pour réduire votre degré d'exposition à ces produits chimiques : travaillez dans une aire de travail bien aérée et utilisez des dispositifs de sécurité approuvés, tels que des masques à poussière spécialement conçus pour filtrer les particules microscopiques.
29. Raccordez l'outil à un dispositif de collecte des poussières pour effectuer vos travaux de sciage.

Lors de l'utilisation en mode de scie à coupe d'onglet :

30. Ne pas utiliser la scie pour couper tout autre matériau que le bois, l'aluminium et des matériaux similaires.
31. Ne pas scier à la volée si vous devez pour cela poser les mains près de la lame. La pièce doit être fermement assurée contre le socle rotatif et le guide pendant toutes les opérations de sciage.
32. Assurez-vous que le socle rotatif est bien fixé, afin qu'il ne risque pas de se déplacer pendant le sciage.
33. Assurez-vous que le bras est correctement fixé lors des coupes en biseau. Pour serrer le bras, tournez le levier vers la droite.
34. Avant de mettre le contact, assurez-vous que la lame, lorsqu'elle se trouve sur sa position la plus basse, n'entre pas en contact avec le socle rotatif ou avec la pièce.
35. Tenez la poignée fermement. N'oubliez pas que la scie se déplace légèrement de haut en bas au démarrage et à l'arrêt.
36. Remplacez le plateau de découpe lorsqu'il est usé.

Lors de l'utilisation en mode de scie circulaire à table (scie d'établi) :

37. Ne sciez jamais à la volée. Le sciage à la volée consiste à utiliser les mains au lieu d'un garde parallèle pour soutenir ou guider la pièce.
38. Assurez-vous que le bras est fermement fixé en position de travail. Pour serrer le bras, tournez le levier vers la droite.
39. Utilisez un bâton poussoir ou un bloc poussoir pour éviter d'avoir à poser les mains et les doigts à proximité de la lame pendant le sciage.
40. Assurez-vous que la table de scie d'établi est fermement fixée à la hauteur désirée.
41. Avant de mettre le contact, assurez-vous que la lame n'entre pas en contact avec le couteau diviseur ou la pièce.
42. Rangez toujours le bâton poussoir une fois son utilisation terminée.

43. Prêtez une attention particulière aux instructions concernant la réduction des risques de CHOC EN RETOUR. Le choc en retour désigne une réaction soudaine de l'outil qui se produit lorsque la lame est coincée, pincée ou désalignée. Lors d'un CHOC EN RETOUR l'outil éjecte la pièce vers l'utilisateur. **LES CHOC EN RETOUR COMPORTENT UN RISQUE DE BLESSURE GRAVE.** Évitez les CHOC EN RETOUR en maintenant la lame bien affûtée, le garde parallèle en position parallèle à la lame, le couteau diviseur et le protecteur de lame bien en place et en bon état de fonctionnement, en évitant de relâcher la pièce avant de l'avoir poussée complètement derrière la lame, et en évitant de scier en long une pièce tordue, déformée ou dont le bord inégal rend l'utilisation du guide impossible.
44. Évitez de faire avancer la pièce de manière brusque ou rapide. Faites-la avancer le plus lentement possible lorsque vous coupez des pièces dures. Évitez de plier ou tordre la pièce pendant la progression de l'outil. Coupez immédiatement le contact si la lame se bloque ou se coince dans la pièce. Débranchez l'outil. Dégagez la lame.

CONSERVEZ CES INSTRUCTIONS.

INSTALLATION

ATTENTION :

- La surface du plancher autour du point d'utilisation de l'outil doit être maintenue en bon ordre et exempte de matériaux tels que copeaux et retailles.

Installation de la plaque auxiliaire (Fig.1 et 2)

Utilisez la rainure pratiquée dans le socle de l'outil pour installer la plaque auxiliaire, et fixez-la en serrant le boulon hexagonal.

Montage de l'établi (Fig. 3)

Boulonnez l'outil à l'aide de deux boulons sur une surface stable et de niveau, en utilisant les orifices à boulon prévus sur le socle de l'outil. Ceci pour empêcher tout risque de renversement et de blessure.

DESCRIPTION DU FONCTIONNEMENT

ATTENTION :

- Assurez-vous toujours que l'outil est hors tension et débranché avant de l'ajuster ou de vérifier son fonctionnement.

Protecteur de lame (Fig. 4 et 5)

ATTENTION :

- Assurez-vous qu'il n'est pas possible d'abaisser la poignée sans avoir d'abord poussé vers la gauche le levier situé près de la poignée.
- Assurez-vous que les protecteurs de lame inférieurs A et B ne s'ouvrent que si le levier situé près de la poignée est poussé sur la position la plus élevée de la poignée.

Le protecteur de lame inférieur A s'élève automatiquement si vous abaissez la poignée tout en poussant le levier sur la gauche. Le protecteur de lame inférieur B s'élève au contact de la pièce. Les protecteurs de lame inférieurs étant dotés d'un ressort, ils retournent en position initiale une fois la coupe terminée et la poignée levée. Le protecteur de lame supérieur tombe à plat sur la surface supérieure de la pièce une fois celle-ci passée sous ledit protecteur. **NE JAMAIS MODIFIER OU RETIRER LES PROTECTEURS DE LAME INFÉRIEURS, LE RESSORT QUI LE RETIENT ET LE PROTECTEUR DE LAME SUPÉRIEUR.**

Par mesure de sécurité personnelle, chacun des protecteurs de lame doit être maintenu en bonne condition. Tout fonctionnement anormal des protecteurs doit être immédiatement corrigé. Assurez-vous que le ressort assure le retour des protecteurs de lame inférieurs. **NE JAMAIS UTILISER L'OUTIL SI LE PROTECTEUR DE LAME INFÉRIEUR, LE RESSORT OU LE PROTECTEUR DE LAME SUPÉRIEUR EST ENDOMMAGÉ, DÉFECTUEUX OU RETIRÉ. CELA EST TRÈS DANGEREUX ET COMPORTE UN RISQUE DE BLESSURE GRAVE.**

Lorsqu'un des protecteurs de lame transparents est sale ou lorsque la sciure de bois y adhère au point que la lame ne soit plus bien visible, débranchez la scie et nettoyez soigneusement les protecteurs avec un chiffon humide. Ne pas utiliser de solvant ou tout autre nettoyeur à base de pétrole pour nettoyer le protecteur en plastique.

Si le protecteur de lame inférieur A est sale au point qu'il n'est plus possible de bien voir à travers, procédez comme suit. Immobilisez la table supérieure en position complètement élevée, soulevez la poignée complètement, enfoncez complètement la broche d'arrêt alors que la poignée est en position complètement élevée, et utilisez la clé à douille fournie pour desserrer le boulon hexagonal qui retient le capot central. Desserrez le boulon hexagonal en le tournant vers la gauche et soulevez le protecteur de lame inférieur A et le capot central tout en poussant le levier vers la gauche. Le nettoyage s'effectue de manière plus complète et efficace lorsque le protecteur de lame inférieur A se trouve dans cette position. Une fois le nettoyage terminé, suivez la procédure ci-dessus dans l'ordre inverse et serrez le boulon.

Lorsque c'est le protecteur de lame supérieur qui est sale, desserrez la vis qui le retient avec un tournevis et retirez le protecteur de lame supérieur. Après l'avoir nettoyé, n'oubliez pas de le réinstaller en serrant la vis, mais pas trop, de sorte que le protecteur de lame supérieur se déplace doucement vers le haut et le bas.

Si l'un ou l'autre des protecteurs de lame se décolore avec le temps ou sous l'effet des rayons ultraviolets, contactez un centre de service après-vente Makita pour vous procurer un protecteur neuf. **NE PAS MODIFIER OU RETIRER LES PROTECTEURS.**

Maintien de la capacité de coupe maximale (Fig. 6 et 7)

Cet outil est réglé en usine pour que sa capacité de coupe soit maximale avec une lame de 260 mm.

Lors de l'installation d'une lame neuve, vérifiez toujours la position limite inférieure de la lame et, si nécessaire, ajustez-la comme suit :

ATTENTION :

- Lorsque vous effectuez ce réglage, débranchez l'outil puis placez la table supérieure sur sa position la plus basse.

Débranchez d'abord l'outil. Placez la table supérieure sur sa position la plus basse. Abaissez complètement la poignée. Utilisez la clé à douille pour tourner le boulon de réglage qui se trouve sous le plus gros des orifices de la table supérieure, jusqu'à ce que le bord de la lame dépasse légèrement sous la surface supérieure du socle rotatif, au point de rencontre entre la face avant du guide et de la surface supérieure du socle rotatif.

En laissant l'outil débranché, faites tourner la lame avec la main tout en maintenant la poignée complètement abaissée pour être sûr que la lame n'entre en contact avec aucune partie du socle inférieur. Si nécessaire, réajustez légèrement.

ATTENTION :

- Après l'installation d'une lame neuve, assurez-vous toujours qu'elle n'entre en contact avec aucune partie du socle inférieur lorsque la poignée est complètement abaissée. L'outil doit toujours être débranché lors de cette opération.

Réglage de l'angle de coupe d'onglet (Fig. 8)

Desserrez le manche en le tournant vers la gauche. Faites tourner le socle rotatif tout en abaissant le levier de verrouillage. Lorsque le manche est arrivé au point où l'index indique la valeur angulaire désirée sur le secteur, serrez le manche à fond en le tournant vers la droite.

ATTENTION :

- Vous devez soulever complètement la poignée lorsque vous faites tourner le socle rotatif.
- Après avoir modifié l'angle de coupe d'onglet, fixez toujours le socle rotatif en serrant le manche à fond.

Réglage de l'angle de coupe en biseau (Fig. 9 et 10)

Pour ajuster l'angle de coupe en biseau, desserrez le levier à l'arrière de l'outil en le tournant vers la gauche.

Poussez la poignée vers la gauche pour incliner la lame jusqu'à ce que l'index indique la valeur angulaire désirée sur l'échelle. Resserrez ensuite le levier à fond en le tournant vers la droite pour fixer le bras.

ATTENTION :

- Vous devez soulever complètement la poignée lorsque vous inclinez la lame.
- Après avoir modifié l'angle de coupe en biseau, fixez toujours le bras en serrant le levier vers la droite.

Interrupteur (Fig. 11)

ATTENTION :

- Avant l'utilisation, assurez-vous que l'interrupteur permet de mettre et couper le contact de l'outil.

Pour faire démarrer l'outil appuyez sur le bouton ON (I). Pour l'arrêter, appuyez sur le bouton (O).

Allumage des lampes (Fig. 11 et 12)

Pour le modèle LH1040F uniquement

Appuyez sur la position supérieure de l'interrupteur pour allumer la lampe et sur la position inférieure pour l'éteindre.

ATTENTION :

- Évitez de regarder directement le faisceau lumineux ou sa source.

NOTE :

- Utilisez un chiffon sec pour essuyer les saletés qui recouvrent la lentille de la lampe. Prenez garde de rayer la lentille de la lampe, sinon sa capacité d'éclairage sera affectée.

Réglage du niveau de la table supérieure (Fig. 13)

Pour régler le niveau de la table supérieure, desserrez les deux leviers en tournant vers la gauche, puis élevez ou abaissez la table supérieure. Une fois le réglage terminé, serrez les leviers fermement.

AVERTISSEMENT :

- Placez la table supérieure sur sa position la plus élevée lorsque vous utilisez l'outil en mode de scie à coupe d'onglet, et sur la position désirée lorsque vous l'utilisez en mode de scie circulaire à table (scie d'établi).

ASSEMBLAGE

ATTENTION :

- Avant d'effectuer toute intervention sur l'outil, assurez-vous toujours qu'il est hors tension et débranché.

Pose et dépose de la lame

ATTENTION :

- Assurez-vous toujours que l'outil est hors tension et débranché avant d'installer ou de retirer la lame.
- Utilisez exclusivement la clé à douille Makita fournie pour installer ou retirer la lame. Sinon, le boulon hexagonal risque d'être trop ou pas assez serré. Cela peut entraîner une blessure.

Immobilisez la table supérieure sur la position la plus élevée.

Verrouillez la poignée en position élevée en y poussant la broche d'arrêt. (Fig. 14)

Pour retirer la lame, desserrez d'abord la vis de serrage de sorte que le protecteur de lame inférieur B soit abaissé comme indiqué sur l'illustration. (Fig. 15)

Utilisez ensuite la clé à douille pour desserrer le boulon hexagonal qui retient le capot central, en tournant vers la gauche. Soulevez le protecteur de lame inférieur A et le capot central tout en poussant vers la gauche le levier qui se trouve près de la poignée. (Fig. 16)

Appuyez sur le blocage de l'arbre pour verrouiller l'axe et desserrez le boulon hexagonal à l'aide de la clé à douille, en tournant vers la droite. Retirez ensuite le boulon hexagonal, le flasque extérieur et la lame. (Fig. 17)

Pour installer la lame, montez-la soigneusement sur l'axe en vous assurant que le sens indiqué par la flèche sur la surface de la lame correspond à celui de la flèche du porte-lame. Installez le flasque extérieur et le boulon hexagonal, puis, à l'aide de la clé à douille, serrez à fond le boulon hexagonal (filetage à gauche), en tournant vers la gauche, tout en appuyant sur le blocage de l'arbre. (Fig. 18 et 19)

NOTE :

- Lorsque vous installez une lame, vous devez d'abord l'insérer par l'extérieur du protecteur de lame B puis soulever pour que la lame se mette finalement en place dans le protecteur de lame B.

Pour tous les pays à l'exception de l'Europe

ATTENTION :

- La bague en argent de 25,4 mm de diamètre extérieur a été montée en usine sur l'axe. La bague noire de 25 mm de diamètre extérieur est livrée en standard. Avant de monter la lame sur l'axe, assurez-vous toujours que la bague qui est montée sur l'axe est bien celle qui convient pour l'alésage de la lame que vous prévoyez utiliser. (Fig. 20)

Pour l'Europe

ATTENTION :

- Une bague d'un diamètre externe de 30 mm est installée en usine entre les flasques intérieur et extérieur. (Fig. 20)

Remettez le protecteur de lame inférieur A et le capot central en position initiale. Serrez ensuite le boulon hexagonal en tournant vers la droite pour fixer le capot central. Soulevez le protecteur de lame B le plus haut possible et serrez la vis de serrage fermement tout en maintenant le protecteur en position élevée. Abaissez la poignée pour vous assurer que les protecteurs de lame inférieures se déplacent correctement. Avant de passer à la coupe, assurez-vous que le blocage de l'arbre a libéré l'axe.

Réglage du couteau diviseur

Avant de régler le couteau diviseur, desserrez les deux leviers en tournant vers la gauche et poussez le côté droit de la table supérieure, près du couteau diviseur, sur sa position abaissée. Fixez ensuite la table supérieure en serrant fermement les deux leviers, tel qu'indiqué sur l'illustration. (Fig. 21)

Il doit y avoir un espace libre d'environ 4 à 5 mm entre le couteau diviseur et les dents de la lame. Réglez le couteau diviseur en conséquence, en desserrant les deux boulons hexagonaux en tournant vers la gauche avec la clé à douille hexagonale, et en mesurant la distance nécessaire. Serrez les deux boulons hexagonaux fermement, puis vérifiez que le protecteur de lame supérieur se déplace en douceur avant de procéder à la coupe. (Fig. 22)

Le couteau diviseur a été installé en usine de sorte que la lame et le couteau diviseur se trouvent en droite ligne. (Fig. 23)

ATTENTION :

- Si la lame et le couteau diviseur ne sont pas bien alignés, il se peut que la lame se coince dangereusement pendant la coupe. Assurez-vous qu'ils sont bien alignés. Vous risquez une grave blessure si vous utilisez l'outil alors que le couteau diviseur n'est pas bien aligné. S'ils ne sont pas bien alignés pour une raison quelconque, faites réparer l'outil par un centre de service après-vente Makita agréé.

Installation et réglage du garde parallèle

1. Installez le garde parallèle sur la table de sorte que le support de garde parallèle s'engage sur le guide du rail. Serrez fermement la vis de serrage (B) du garde parallèle, en tournant vers la droite.
2. Desserrez la vis de serrage (A).
3. Faites glisser le garde parallèle et fixez-le de sorte que son extrémité la plus éloignée de vous soit alignée sur le point où le bord avant de la lame dépasse juste un peu de la surface supérieure de la pièce. Ce réglage a pour but de réduire les risques de choc en retour vers l'utilisateur, en empêchant que la partie coupée de la pièce ne vienne se coincer entre la lame et le garde parallèle, provoquant finalement la poussée de la lame vers l'utilisateur. La ligne 3 varie suivant l'épaisseur de la pièce ou le niveau de la table. Réglez la position du garde parallèle en fonction de l'épaisseur de la pièce. Une fois le garde parallèle réglé, serrez fermement la vis de serrage (A). (**Fig. 24 et 25**)

NOTE :

- Il existe quatre façons de placer le garde parallèle, tel qu'indiqué sur l'illustration. (**Fig. 26**) Le garde parallèle est doté de deux fentes latérales, une frange se trouvant à proximité de la fente sur un seul des deux côtés. Utilisez la surface du garde parallèle avec la frange faisant face à la pièce uniquement lorsque vous découpez dans une pièce mince.
- Pour placer le garde parallèle autrement, retirez-le de son support en desserrant la vis de serrage (A) et modifiez son orientation dans le support en fonction du type de coupe à effectuer, tel qu'indiqué sur l'illustration. Insérez l'écrou carré du support de garde parallèle dans l'extrémité arrière d'une des fentes, de sorte qu'ils s'ajustent de la façon illustrée.

Pour passer du type d'installation A ou B au type d'installation C ou D, ou vice-versa, retirez l'écrou carré, la rondelle et la vis de serrage (A) du support de garde parallèle, puis placez la vis de serrage (A), la rondelle et l'écrou carré sur la position opposée du support de garde parallèle par rapport à la position initiale. Serrez fermement la vis de serrage (A) après avoir inséré l'écrou carré du support de garde parallèle dans la fente dudit garde. Insérez l'écrou carré du support de garde parallèle dans l'extrémité arrière d'une des fentes, de sorte qu'ils s'ajustent de la façon illustrée. (**Fig. 27**)

Le garde parallèle est ajusté en usine de sorte qu'il soit parallèle à la surface de la lame. Assurez-vous qu'il est parallèle. Pour s'assurer que le garde parallèle est parallèle à la lame. Abaissez la table jusqu'à sa position la plus basse, de sorte que la lame soit la plus élevée possible par rapport à la table. Avec un crayon, tracez une marque sur une des dents de la lame. Mesurez les distances (A) et (B) entre le garde parallèle et la lame. Prenez les deux mesures en utilisant la dent marquée au crayon. (**Fig. 28**) Les deux mesures doivent être identiques. Si le garde parallèle n'est pas parallèle à la lame, procédez comme suit : (**Fig. 29**)

1. Tournez les deux vis de réglage vers la gauche.
2. Déplacez le bord arrière du garde parallèle légèrement vers la droite ou la gauche jusqu'à ce que le garde soit parallèle à la lame.
3. Serrez fermement les deux vis du garde parallèle.

ATTENTION :

- Assurez-vous que le garde parallèle est bien réglé parallèlement à la lame, sinon il y a risque de choc en retour dangereux.
- Lorsque vous réglez le garde parallèle, assurez-vous qu'il n'entre en contact ni avec le protecteur de lame supérieur, ni avec la lame. (**Fig. 30**)

Sac à poussière

L'utilisation du sac à poussière permet d'effectuer des coupes en toute propreté et facilite la collecte de la poussière. Pour fixer le sac à poussière, insérez-le dans le raccord à poussières. (**Fig. 31**)

NOTE :

- En mode de scie à coupe d'onglet, insérez toujours le sac à poussière dans le raccord arrière uniquement.

Lorsque le sac à poussière est environ à moitié plein, retirez-le de l'outil et tirez la fermeture. Videz le sac à poussière en le tapant légèrement pour retirer les particules qui adhèrent à sa surface intérieure et risqueraient de faire obstacle à la collecte de la poussière par la suite. (**Fig. 32**)

Vous pourrez effectuer un travail plus efficace et plus propre si vous raccordez un aspirateur à votre scie.

Pour installer le carter de lame lors de l'utilisation en mode de scie circulaire à table (scie d'établi), tournez le socle rotatif sur l'angle de coupe d'onglet 0° (voir la section intitulée "Réglage de l'angle de coupe d'onglet") et placez le carter de lame sur le plateau tournant de sorte que le carter de lame soit centré par rapport à la fente d'entrée de lame dans le socle rotatif, puis verrouillez la poignée sur sa position la plus basse en enfonçant complètement la broche d'arrêt, tel qu'indiqué sur l'illustration. (**Fig. 33**)

NOTE :

- Pour fixer le sac à poussière sur le raccord à poussières arrière en mode de scie circulaire à table (scie d'établi), retirez d'abord le bouchon du raccord à poussières avant, puis fixez le sac au raccord.
- Lorsque le sac à poussière n'est pas utilisé, le bouchon doit toujours être remis en place sur le raccord à poussières avant. Sinon, la poussière s'échappera par le raccord.
- Lorsque vous utilisez l'outil en mode de scie circulaire à table (scie d'établi), assurez-vous que le carter de lame est installé sur le plateau tournant.

Immobilisation de la pièce

Lorsque possible, immobilisez la pièce avec l'étau en option. Si vous devez tenir la pièce avec la main, il est impératif qu'elle le soit de manière ferme et sûre pour éviter toute perte de contrôle de la pièce. Vous devez garder la main et le bras à l'écart de la zone de la lame (à une distance minimale de 100 mm). Pressez la pièce fermement contre le garde parallèle, en plaçant les doigts sur la face supérieure du garde parallèle. La pièce doit aussi reposer de manière stable sur le socle rotatif.

AVERTISSEMENT :

- Ne tenez jamais la pièce avec la main si cette dernière doit être placée à moins de 100 mm de la zone de la lame. Dans ce cas, utilisez toujours l'étau en option pour immobiliser la pièce. Après toute opération de coupe, soulevez la lame doucement. Ne soulevez jamais la lame avant qu'elle ne soit parfaitement arrêtée. Il pourrait en résulter une grave blessure.

ATTENTION :

- Lorsque vous coupez des pièces longues, soutenez-les au moyen de cales aussi hautes que le niveau de la surface supérieure du socle rotatif. N'utilisez pas uniquement l'étau vertical et/ou l'étau horizontal (tous deux en option) pour immobiliser la pièce. (Fig. 34)
Les matériaux minces ont tendance à s'affaisser. Soutenez la pièce sur toute sa longueur, pour éviter que la lame ne se coince et provoque un éventuel CHOC EN RETOUR.

Étau vertical (accessoire en option) (Fig. 35)

Vous pouvez installer l'étau vertical sur l'une ou l'autre de deux positions, du côté gauche ou droit du guide ou de la butée (accessoire en option). Engagez la tige de l'étau dans l'orifice du guide ou de la butée, et serrez la vis pour fixer la tige de l'étau.

Placez le bras de l'étau en fonction de l'épaisseur et de la forme de la pièce, et fixez le bras de l'étau en serrant la vis. Si la vis de fixation du bras de l'étau entre en contact avec le guide, installez-la de l'autre côté du bras de l'étau. Assurez-vous qu'aucune partie de l'outil ne touche l'étau lorsque vous abaissez le bras complètement. Si une quelconque partie de l'outil entre en contact avec l'étau, modifiez la position de l'étau.

Appuyez la pièce à plat contre le guide et le socle rotatif. Placez la pièce sur la position de coupe désirée et serrez à fond la poignée de l'étau.

ATTENTION :

- La pièce doit être fermement immobilisée contre le socle rotatif et le guide.

Étau horizontal (accessoire en option) (Fig. 36)

L'étau horizontal peut être installé du côté gauche ou droit du socle. Pour effectuer des coupes d'onglet de 15° ou plus, installez l'étau horizontal sur le côté opposé au sens dans lequel le plateau tournant va se déplacer. Quand vous tournez la poignée de l'étau vers la gauche, la vis se libère et la tige de l'étau peut être déplacée rapidement d'avant en arrière. La vis s'immobilise en tournant la poignée de l'étau vers la droite. Pour serrer la pièce, tournez doucement la poignée de l'étau vers la droite jusqu'à ce que l'ergot atteigne sa position supérieure, puis serrez à fond. Si vous tournez la poignée de l'étau en force ou tirez dessus pendant que vous la tournez vers la droite, vous risquez que l'ergot s'arrête à mi-course. Dans ce cas, ramenez la poignée de l'étau vers la gauche jusqu'à ce que la vis soit libérée, et recommencez en tournant doucement la poignée vers la droite.

L'épaisseur maximale des pièces que permet d'assurer l'étau horizontal est de 130 mm.

Servantes et butée (accessoires en option)

Les servantes et la butée s'installent soit à gauche soit à droite, comme moyen pratique de soutenir les pièces horizontalement. Installez-les de la façon indiquée sur l'illustration. Serrez ensuite les vis fermement pour immobiliser les servantes et la butée. (Fig. 37)

Pour couper des pièces de grande longueur, utilisez l'ensemble de butées (accessoire en option). Il se compose de deux butées et de deux tiges numéro 12. (Fig. 38)

ATTENTION :

- Maintenez toujours les pièces de grande longueur parallèles à la surface supérieure du socle rotatif pour pouvoir effectuer des coupes précises et éviter toute perte de contrôle dangereuse de l'outil.

UTILISATION

ATTENTION :

- Avant l'utilisation, assurez-vous d'avoir dégagé la poignée de la position abaissée en tirant sur la broche d'arrêt.
- Assurez-vous que la lame n'entre pas en contact avec la pièce ou tout autre objet avant de mettre le contact.

COUPE EN MODE DE SCIE À COUPE D'ONGLET

AVERTISSEMENT :

- Pour utiliser l'outil en mode de scie à coupe d'onglet, fixez la table supérieure sur sa position la plus élevée, de sorte que la lame ne dépasse jamais la surface supérieure de la table supérieure.

ATTENTION :

- N'appliquez pas une pression excessive sur la poignée pendant la coupe. Vous risqueriez de provoquer une surcharge du moteur et/ou une diminution de la capacité de coupe. Abaissez la poignée en appliquant uniquement la force nécessaire pour effectuer une coupe en douceur sans diminuer de façon significative la vitesse de la lame.
- Abaissez doucement la poignée pour effectuer la coupe. Si vous appuyez trop fort ou si une force latérale est appliquée, la lame vibrera et laissera une marque (marque de sciage) sur la pièce ; la précision de coupe sera également affectée.

1. Coupe sous presse (Fig. 39)

Immobilisez la pièce contre le guide et le plateau tournant.

Mettez l'outil en marche alors que la lame ne touche à rien et attendez qu'elle ait atteint sa pleine vitesse avant de l'abaisser. Abaissez ensuite doucement la poignée au maximum pour couper la pièce. Lorsque la coupe est terminée, coupez le contact de l'outil et ATTENDEZ QUE LA LAME SE SOIT COMPLÈTEMENT ARRÊTÉE avant de ramener la lame en position complètement relevée.

2. Coupe d'onglet

Voyez la section précédente "Réglage de l'angle de coupe d'onglet".

3. Coupe en biseau (Fig. 40)

Desserrez le levier et inclinez la lame pour régler l'angle de coupe en biseau (voir la section précédente "Réglage de l'angle de coupe en biseau"). N'oubliez pas de resserrer le levier fermement de façon à bien assurer l'angle de biseau sélectionné. Immobilisez la pièce contre le guide et le plateau tournant. Assurez-vous que le chariot est complètement ramené vers vous. Mettez l'outil en marche alors que la lame ne touche à rien et attendez qu'elle ait atteint sa pleine vitesse. Abaissez ensuite doucement la poignée sur la position la plus basse tout en appliquant une pression parallèle à la lame. Lorsque la coupe est terminée, coupez le contact de l'outil et **ATTENDEZ QUE LA LAME SE SOIT COMPLÈTEMENT ARRÊTÉE** avant de ramener la lame en position complètement relevée.

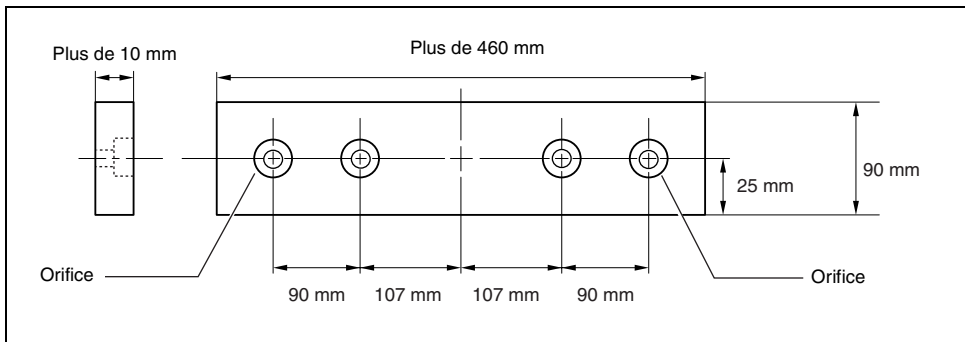
ATTENTION :

- Assurez-vous toujours que la lame s'abaisse dans le sens du biseau lors d'une coupe en biseau. Gardez bien les mains à l'écart de la lame.
- Lors d'une coupe en biseau, il peut arriver que la pièce coupée vienne s'appuyer contre le côté de la lame. Si vous soulevez la lame alors qu'elle tourne encore, ce morceau risque d'être happé par la lame et ses fragments s'éparpilleront, ce qui est dangereux. La lame doit être relevée **UNIQUEMENT** après être arrivée à un arrêt complet.
- Lorsque vous abaissez la poignée, appliquez une pression parallèle à la lame. Si la pression n'est pas parallèle à la lame pendant la coupe, cela risque de modifier l'angle de la lame et d'affecter la précision de la coupe.

6. Parement de bois

L'utilisation de parements de bois permet d'effectuer des coupes sans éclats. Fixez un parement de bois sur le guide en utilisant les orifices du guide.

Pour les dimensions recommandées du parement de bois, voir l'illustration.



ATTENTION :

- Comme parement de bois, utilisez un morceau de bois droit d'épaisseur régulière.
- Utilisez des vis pour fixer le parement de bois au guide. Vous devez placer les vis de telle sorte que leurs têtes ne dépassent pas à la surface du parement de bois.
- Une fois le parement de bois fixé, ne tournez pas le socle rotatif avec le bras abaissé. Vous risqueriez d'endommager la lame et/ou le parement de bois.

4. Coupe mixte

La coupe mixte consiste à appliquer un angle de biseau tout en effectuant une coupe d'onglet sur une pièce. La coupe mixte est possible à l'angle indiqué dans le tableau.

Angle de biseau	Angle d'onglet
45°	Gauche et Droite 0° – 45°

Pour effectuer une coupe mixte, référez-vous aux explications des sections "Coupe sous presse", "Coupe d'onglet" et "Coupe en biseau".

5. Coupe de profilés d'aluminium (Fig. 41)

Lorsque vous immobilisez des profilés d'aluminium, utilisez des cales d'espacement ou des bouts de ferraille, tel qu'indiqué sur l'illustration, pour prévenir la déformation de l'aluminium. Utilisez aussi un lubrifiant de coupe lorsque vous sciez des profilés d'aluminium afin d'empêcher l'accumulation de particules d'aluminium sur la lame.

ATTENTION :

- N'essayez jamais de couper des profilés d'aluminium épais ou ronds. Les profilés d'aluminium épais risquent de se décaler durant l'opération, et les profilés d'aluminium ronds ne pourront pas être immobilisés de façon satisfaisante avec ce type d'étau.
- Ne jamais couper l'aluminium en mode de scie circulaire à table (scie d'établi).

7. Coupes répétées de longueur identique (Fig. 42)

Pour couper plusieurs morceaux de matériau à la même longueur, qui peut être comprise entre 240 mm et 400 mm, utilisez la plaque de fixation pour faciliter et rationaliser le travail. Installez la plaque de fixation sur son support, de la façon indiquée sur l'illustration.

Alignez la ligne de coupe de la pièce sur le côté gauche ou droit de la rainure du plateau de découpe tout en tenant immobilisant fermement la pièce, et placez la plaque de fixation contre l'extrémité de la pièce. Fixez ensuite la plaque de fixation avec la vis. Quand vous ne vous servez pas de la plaque de fixation, desserrez la vis et tournez la plaque de fixation pour la dégager.

NOTE :

- L'utilisation de l'ensemble de butées et tiges (accessoire en option) permet des coupes répétées d'une longueur identique pouvant aller jusqu'à environ 2 200 mm.

COUPE EN MODE DE SCIE CIRCULAIRE À TABLE (SCIE D'ÉTABLI)

ATTENTION :

- Lorsque vous utilisez l'outil en mode de scie circulaire à table (scie d'établi), placez le carter de lame sur le plateau tournant de sorte que le carter de lame soit centré au-dessus de fente d'entrée pratiquée dans le plateau tournant et que les deux petits bossages de la face inférieure du carter de lame pénètrent dans la fente semi-circulaire à la périphérie du plateau tournant, tel qu'indiqué sur l'illustration, puis verrouillez la poignée sur sa position la plus basse en enfonçant complètement la broche d'arrêt. (Fig. 43)
- Utilisez toujours des "dispositifs de protection" tels que bâtons poussoirs et blocs poussoirs lorsqu'il y a risque que vos mains ou vos doigts ne s'approchent trop près de la lame.
- NE JAMAIS retirer la pièce alors que la lame tourne encore. Si vous devez retirer la pièce avant d'avoir terminé la coupe, coupez d'abord le contact de l'outil, en tenant fermement la pièce. Attendez que la lame se soit complètement arrêtée avant de retirer la pièce. Sinon, un dangereux choc en retour risque de se produire.
- NE JAMAIS retirer le bout de pièce coupé alors que la lame tourne encore.
- NE JAMAIS placer les mains ou les doigts dans la ligne de coupe de la lame.
- Immobilisez toujours le garde parallèle fermement, sinon un dangereux choc en retour risque de se produire.

Dispositifs de protection

Les bâtons poussoirs, blocs poussoirs et gardes auxiliaires constituent des "dispositifs de protection". Utilisez-les pour effectuer des coupes en toute sûreté sans risque de toucher la lame avec une quelconque partie du corps.

Bloc poussoir (Fig. 44)

Utilisez une pièce de contreplaqué de 15 mm.

La poignée doit se trouver au centre de la pièce de contreplaqué. Fixez la pièce de contreplaqué avec de la colle et des vis à bois, tel qu'illustré. De petites pièces de bois de 10 mm x 9 mm x 30 mm doivent toujours être collées à la pièce de contreplaqué pour éviter que la lame ne s'émousse si l'utilisateur effectue la coupe dans le poussoir par accident. (Ne jamais planter de clous dans le poussoir.)

Garde auxiliaire (Fig. 45 et 46)

Fabriquez un garde auxiliaire avec des pièces de contreplaqué de 10 mm et 15 mm.

Retirez le garde parallèle, la vis de serrage (A), la rondelle plate et l'écrou carré du support de garde parallèle, puis installez et immobilisez le garde auxiliaire sur le support de garde parallèle au moyen d'un boulon M6 plus long que M6 x 50, de rondelles et d'un écrou.

Sciage en long

ATTENTION :

- Une cale adéquate doit toujours être placée derrière la table lors de la coupe de pièces longues ou larges. NE PAS laisser un long panneau se déplacer ou bouger sur la table. La lame se coincerait et cela augmenterait les risques de choc en retour et de blessure. La cale doit être de la même hauteur que la table.
1. Réglez la profondeur de coupe sur une valeur un peu plus élevée que l'épaisseur de la pièce. Pour effectuer ce réglage, desserrez les deux leviers et abaissez ou élevez la table supérieure.
 2. Placez le garde parallèle sur la position correspondant à la largeur désirée pour le sciage en long, et immobilisez-le en serrant la vis de serrage (A). Avant de procéder au sciage en long, assurez-vous que les deux vis du support de garde parallèle sont bien serrées. Si elles ne sont pas assez serrées, serrez-les à nouveau.
 3. Mettez le contact et faites doucement avancer la pièce vers la lame, le long du garde parallèle.
 - (1) Si la largeur du sciage en long est de 40 mm ou plus, utilisez un bâton poussoir. (Fig. 47)
 - (2) Si la largeur du sciage en long est inférieure à 40 mm, il n'est pas possible d'utiliser le bâton poussoir puisqu'il frapperait contre le protecteur de lame supérieur. Utilisez le garde auxiliaire et un bloc poussoir.
Installez de façon sûre le garde auxiliaire qui se fixe au support de garde parallèle sur la table. Faites avancer la pièce avec la main jusqu'à ce que son extrémité se trouve à environ 25 mm du bord avant de la table supérieure. Continuez de faire avancer la pièce avec le bloc poussoir sur la face supérieure du garde auxiliaire, jusqu'à ce que la coupe soit terminée. (Fig. 48)

Transport de l'outil

Assurez-vous que l'outil est débranché. Fixez la lame sur un angle de biseau de 0° et le socle rotatif complètement sur l'angle d'onglet de gauche. Abaissez complètement la poignée et verrouillez-la en position inférieure en enfonçant complètement la broche d'arrêt. (Fig. 49)

Saisissez l'outil par les deux côtés du socle pour le transporter, tel qu'indiqué sur l'illustration. L'outil sera plus facile à transporter si vous retirez les servantes, le sac à poussière, etc. (Fig. 50)

ATTENTION :

- Avant de transporter l'outil, immobilisez d'abord toutes ses pièces mobiles.

ENTRETIEN

ATTENTION :

- Assurez-vous toujours que l'outil est hors tension et débranché avant d'y effectuer tout travail d'inspection ou d'entretien.

AVERTISSEMENT :

- Assurez-vous toujours que la lame est bien affûtée et propre pour assurer un rendement optimal et une sécurité maximale.

Réglage de l'angle de coupe

L'outil a été soigneusement réglé et aligné en usine, mais une manipulation maladroite a pu dérégler l'alignement. Si l'outil n'est pas aligné correctement, effectuez les opérations suivantes:

1. Angle de coupe d'onglet

Desserrez le manche qui retient le socle rotatif. Tournez le socle rotatif de sorte que l'index pointé vers 0° sur le secteur. Serrez le manche et desserrez les boulons hexagonaux qui retiennent le guide à l'aide de la clé à douille. (Fig. 51)

Abaissez complètement la poignée et verrouillez-la en position abaissée en enfonçant le broche d'arrêt. Placez le côté de la lame à angle droit par rapport à la surface du guide à l'aide d'une règle triangulaire, d'une équerre de menuisier, etc. Vissez ensuite fermement les boulons hexagonaux du guide, dans l'ordre, en commençant du côté droit. (Fig. 52)

2. Angle de coupe en biseau

(1) Angle de coupe en biseau 0°

Abaissez complètement la poignée et verrouillez-la en position abaissée en enfonçant le broche d'arrêt. Desserrez le levier à l'arrière de l'outil. Pour incliner la lame vers la droite, tournez de deux ou trois tours vers la droite le boulon de réglage de l'angle de coupe en biseau 0° du côté droit du socle rotatif. (Fig. 53)

Placez soigneusement le côté de la lame à angle droit par rapport à la surface supérieure du socle rotatif au moyen d'une règle triangulaire, d'une équerre de menuisier, etc., en tournant vers la gauche le boulon de réglage de l'angle de coupe en biseau 0°. (Fig. 54)

Vérifiez que l'index du socle rotatif indique 0° sur l'échelle du bras. S'il n'indique pas 0°, desserrez la vis qui retient l'index et ajustez ce dernier de telle sorte qu'il indique 0°. (Fig. 55)

(2) Angle de coupe en biseau 45°

Réglez l'angle de coupe en biseau 45° uniquement après avoir réglé l'angle de coupe en biseau 0°. Pour régler l'angle de coupe en biseau 45°, desserrez le levier et inclinez complètement la lame sur la gauche. Assurez-vous que l'index du bras indique 45° sur le secteur angulaire du bras. Si l'index n'indique pas 45°, tournez le boulon de réglage d'angle de coupe en biseau 45°, sur le côté gauche du bras, jusqu'à ce qu'il indique 45°. (Fig. 56)

Remplacement des charbons (Fig. 57 et 58)

Retirez et vérifiez les charbons régulièrement. Remplacez-les lorsqu'ils atteignent le repère d'usure. Gardez les charbons propres et libres de glisser dans les porte-charbons. Les deux charbons doivent être remplacés simultanément. Utilisez uniquement des charbons identiques.

Retirez les bouchons de porte-charbon à l'aide d'un tournevis. Enlevez les charbons usés, insérez les neufs et remettez en place les bouchons.

Après l'utilisation

- Après l'utilisation essuyez les copeaux et poussières qui adhèrent à l'outil à l'aide d'un chiffon ou d'un objet similaire. Gardez le protecteur de lame propre, conformément aux instructions fournies dans la section précédente intitulée "Protecteur de lame". Lubrifiez les parties coulissantes avec de l'huile à machine pour prévenir la formation de rouille.

Pour assurer la SECURITE et la FIABILITE du produit, toute réparation et tout travail d'entretien ou de réglage doivent être effectués par un Centre d'Entretien autorisé Makita, avec des pièces de rechange Makita.

ACCESSOIRES

ATTENTION :

- Les accessoires ou pièces supplémentaires qui suivent sont recommandés pour l'utilisation avec l'outil Makita spécifié dans ce manuel. L'utilisation de tout autre accessoire ou pièce supplémentaire peut comporter un risque de blessure. Utilisez uniquement l'accessoire ou la pièce supplémentaire dans le but spécifié.

Pour obtenir plus de détails sur ces accessoires, contactez votre Centre d'Entretien local Makita.

- Lames à dents d'acier et de carbure de tungstène
- Plaque auxiliaire
- Ensemble d'étau (étau horizontal)
- Étau vertical
- Clé à douille 13
- Jeu de servantes
- Butée
- Ensemble de butées et tiges
- Plaque de fixation
- Sac à poussière
- Règle triangulaire
- Carter de lame (protecteur de lame C)
- Bâton poussoir
- Butée (garde parallèle)

Übersicht

1 Kippsicherung	32 Sägeblattgehäuse	62 Auflagebügel
2 Sechskantschraube	33 Pfeil	63 Auflageplatte
3 Grundplatte	34 Außenflansch	64 Schraubstockknopf
4 Mutter	35 Innenflansch	65 Vorsprung
5 Schraube	36 Spindel	66 Schraubstockspindel
6 Untere Schutzhaube A	37 Ring	67 Stange 12
7 Untere Schutzhaube B	38 Spaltkeil	68 Schraubstock (Sonderzubehör)
8 Obere Schutzhaube	39 Andrückbereich	69 Distanzblock
9 Schraube	40 Sägeblattbreite	70 Aluminium-Werkstoff
10 Handgriff	41 Parallelanschlaghalter	71 Halteplatte
11 Hebel	42 Führungsschiene auf dem oberen Tisch	72 Kleiner Vorsprung
12 Steckschlüssel	43 Klemmschraube (A)	73 Seitenfläche/Kante parallel
13 Einstellschraube	44 Klemmschraube (B)	74 Holzschraube
14 Drehteller-Oberfläche	45 Parallelanschlag	75 Zusammenleimen
15 Sägeblattumfang	46 Parallelanschlaghalter	76 Loch (7 mm Durchmesser)
16 Gehrungsanschlag	47 Werkstück	77 Unterlegscheibe
17 Zeiger	48 Ausrichtungslinie	78 Mutter
18 Verriegelungshebel	49 Vierkantmutter	79 Schraube M6
19 Griff	50 Maßstab	80 Schiebstock
20 Gehrungswinkelskala	51 Zwei Schrauben	81 Hilfsanschlag
21 Neigungswinkelskala	52 Absaugstutzen	82 Schiebeklotz
22 Schalter	53 Staubsack	83 Einstelldreieck
23 Lampenschalter	54 Verschluss	84 0°-Einstellschraube
24 Lampen	55 Kappe	85 Arm
25 Anschlagstift	56 Staubsauger	86 45°-Neigungswinkel-Einstellschraube
26 Klemmschraube	57 Sägeblattabdeckung	87 Verschleißgrenze
27 Oberer Tisch	58 Stütze	88 Schraubendreher
28 Motorgehäuse	59 Drehteller	89 Bürstenhalterkappe
29 Mittenabdeckung	60 Schraubstockarm	
30 Spindelarreterierung	61 Schraubstockstange	
31 Sägeblatt		

TECHNISCHE DATEN

Modell	LH1040/LH1040F
Sägeblattdurchmesser	255 mm – 260 mm
Bohrungsdurchmesser	
Für alle Länder außerhalb Europas	25,4 mm und 25 mm
Für europäische Länder	30 mm
Max. Schnitttiefen (H x B) mit Sägeblatt von 260 mm Durchmesser im Gehrungssägenmodus	

Neigungswinkel	Gehrungswinkel	
	0°	45°
0°	69 mm x 130 mm 93 mm x 95 mm	rechts 69 mm x 85 mm, 93 mm x 67 mm links 69 mm x 85 mm, 93 mm x 67 mm
45° (links)	35 mm x 130 mm 53 mm x 95 mm	rechts 35 mm x 91 mm, 49 mm x 67 mm links 35 mm x 65 mm, 49 mm x 42 mm

Max. Schnitttiefen bei 90° im Tischsägenmodus (Banksägenmodus).....	40 mm
Leerlaufdrehzahl (min ⁻¹)	4 800
Tischgröße (B x L).....	260 mm x 405 mm
Abmessungen (L x B x H).....	530 mm x 476 mm x 535 mm
Nettogewicht.....	13,7 kg
Sicherheitsklasse.....	II

- Wir behalten uns vor, Änderungen im Zuge der Entwicklung und des technischen Fortschritts ohne vorherige Ankündigung vorzunehmen.
- Hinweis: Die technischen Daten können von Land zu Land abweichen.

Vorgesehene Verwendung

Die Maschine ist für präzise Geradschnitte und (nur bei Einsatz als Gehrungssäge auf dem unteren Tisch) Gehrungsschnitte in Holz vorgesehen.

Stromversorgung

Die Maschine darf nur an die auf dem Typenschild angegebene Spannung angeschlossen werden und arbeitet nur mit Einphasen-Wechselspannung. Sie ist entsprechend den Europäischen Richtlinien doppelt geschützt und kann daher auch an Steckdosen ohne Erdungskabel angeschlossen werden.

Sicherheitshinweise

Lesen und beachten Sie diese Hinweise, bevor Sie das Gerät benutzen.

ZUSÄTZLICHE SICHERHEITSGESETZE FÜR DIE MASCHINE

Für Gehrungs- und Tischsägebetrieb (Banksägebetrieb):

1. Tragen Sie Augen- und Gehörschutz. Das Tragen anderer geeigneter Schutzausrüstung ist zu empfehlen.
2. Tragen Sie NIEMALS Handschuhe während der Arbeit, außer zum Auswechseln von Sägeblättern oder Handhaben von Rohmaterial vor der Arbeit.
3. Halten Sie den Bodenbereich um die Maschinenebene aufgeräumt und frei von losen Teilen, wie z.B. Spänen und Sägeabfällen.
4. Betreiben Sie die Säge nicht ohne Schutzvorrichtungen und Spaltkeil. Überprüfen Sie die Schutzhauben vor jeder Benutzung auf einwandfreies Schließen. Betreiben Sie die Säge nicht, wenn sich die Schutzhauben nicht ungehindert bewegen und unverzüglich schließen. Die Schutzhauben dürfen auf keinen Fall in der geöffneten Stellung festgeklemmt oder festgebunden werden. Funktionsstörungen der Schutzhauben müssen sofort behoben werden.
5. Reinigen Sie die Spindel, die Flansche (besonders die Montagefläche) und die Sechskantschraube, bevor oder während Sie das Sägeblatt montieren, und achten Sie darauf, dass diese Teile nicht beschädigt werden. Eine Beschädigung dieser Teile kann zu einem Sägeblattbruch führen. Schlechte Montage kann Vibrieren/Flattern oder Schlupf des Sägeblatts verursachen. Verwenden Sie nur die für diese Maschine vorgeschriebenen Flansche.
6. Überprüfen Sie das Sägeblatt vor dem Betrieb sorgfältig auf Risse oder Beschädigung. Verwenden Sie keine beschädigten oder verformten Sägeblätter.
7. Verwenden Sie nur vom Hersteller empfohlene Sägeblätter, die dem Standard EN847-1 entsprechen, und achten Sie darauf, dass der Spaltkeil nicht dicker als die Breite des vom Sägeblatt erzeugten Schnitts und nicht dünner als die Sägeblattstärke ist.
8. Verwenden Sie immer die in dieser Anleitung empfohlenen Zubehörteile. Der Gebrauch ungeeigneten Zubehörs, z.B. von Trennscheiben, kann Verletzungen zur Folge haben.

9. Wählen Sie das korrekte Sägeblatt für das zu schneidende Material aus.
10. Verwenden Sie keine Sägeblätter aus Schnellstahl.
11. Um den erzeugten Geräuschpegel zu reduzieren, achten Sie stets darauf, dass das Sägeblatt scharf und sauber ist.
12. Verwenden Sie korrekt geschärfte Sägeblätter. Halten Sie die auf dem Sägeblatt angegebene Maximaldrehzahl ein.
13. Schneiden Sie keine Metallgegenstände, wie z.B. Nägel oder Schrauben. Untersuchen Sie das Werkstück sorgfältig auf Nägel, Schrauben und sonstige Fremdkörper, und entfernen Sie diese vor der Bearbeitung.
14. Schlagen Sie etwaige lose Knorren aus dem Werkstück heraus, BEVOR Sie mit dem Sägen beginnen.
15. Benutzen Sie die Maschine nicht in Gegenwart von brennbaren Flüssigkeiten oder Gasen.
16. Säubern Sie den Arbeitsbereich und die Tischplatte sicherheitshalber von Spänen, Kleinteilen usw., bevor Sie die Maschine anschließen und mit der Arbeit beginnen.
17. Die Bedienungsperson sollte in der Handhabung, Einstellung und Bedienung der Maschine hinreichend geschult sein.
18. Halten Sie Ihre Hände vom Sägeblatt fern, und achten Sie darauf, dass Umstehende und Sie selbst ausreichenden Abstand vom Sägeblatt haben und nicht in seiner Fluchtlinie stehen. Vermeiden Sie jegliche Berührung mit dem auslaufenden Sägeblatt. Es kann auch in diesem Zustand noch schwere Verletzungen verursachen. Fassen Sie auch niemals um das Sägeblatt.
19. Seien Sie stets wachsam, besonders bei sich dauernd wiederholenden, eintönigen Arbeiten. Lassen Sie sich nicht in ein trügerisches Sicherheitsgefühl wiegen. Sägeblätter kennen kein Erbarmen.
20. Vergewissern Sie sich vor dem Einschalten der Maschine, dass die Spindelarrivierung freigegeben ist.
21. Lassen Sie die Maschine vor dem eigentlichen Schneiden eines Werkstücks eine Weile laufen. Achten Sie auf Vibrationen oder Taumelbewegungen, die Anzeichen für schlechte Montage oder ein schlecht ausgewuchtetes Sägeblatt sein können.
22. Warten Sie, bis das Sägeblatt die volle Drehzahl erreicht hat, bevor Sie mit dem Schneiden beginnen.
23. Die Maschine darf nicht für Nutenfräsen, Falzfräsen oder Auskehlen verwendet werden.
24. Unterlassen Sie das Entfernen von Bruchstücken oder anderen Teilen des Werkstücks vom Schnittbereich, während die Maschine läuft und das Sägeblatt sich nicht in der Ruhestellung befindet.
25. Brechen Sie den Betrieb sofort ab, wenn Sie irgendetwas Ungewöhnliches bemerken.
26. Schalten Sie die Maschine aus und lassen Sie das Sägeblatt zum Stillstand kommen, bevor Sie das Werkstück bewegen oder Einstellungen ändern.

27. Trennen Sie die Maschine vom Stromnetz, bevor Sie das Sägeblatt wechseln und die Maschine warten oder stillsetzen.
28. Bei manchen Werkstoffen kann der beim Sägen erzeugte Staub Chemikalien enthalten, die erwiesenermaßen Krebs, Geburtsfehler oder Schäden an Fortpflanzungsorganen verursachen. Beispiele dieser Chemikalien sind wie folgt:
 - Blei in Lack mit Bleizusatz sowie
 - Arsen und Chrom in chemisch behandeltem Bauholz.
 Ihre Gefährdung durch den Umgang mit solchen Chemikalien hängt davon ab, wie oft Sie diese Arbeiten verrichten. Um Ihre Aussetzung zu diesen Chemikalien zu reduzieren: Arbeiten Sie in gut belüfteter Umgebung, und verwenden Sie geprüfte Sicherheitsvorrichtungen, wie z.B. Staubmasken, die mikroskopische Teilchen herausfiltern.
29. Schließen Sie die Maschine beim Betrieb an eine Staubsammelvorrichtung an.

Beim Betrieb im Gehrungssägenmodus:

30. Verwenden Sie die Säge nur zum Schneiden von Holz, Aluminium oder ähnlichen Materialien.
31. Halten Sie Werkstücke zum Schneiden nicht mit den Händen in der Nähe des Sägeblatts. Das Werkstück muss bei allen Operationen fest an Drehteller und Gehrungsanschlag anliegend gesichert werden.
32. Vergewissern Sie sich, dass der Drehteller einwandfrei gesichert ist, damit er sich während des Betriebs nicht bewegt.
33. Vergewissern Sie sich, dass der Arm einwandfrei gesichert ist, wenn Sie Neigungsschnitte ausführen. Ziehen Sie den Hebel zur Sicherung des Arms im Uhrzeigersinn an.
34. Vergewissern Sie sich, dass das Sägeblatt in der Tiefstellung nicht den Drehteller berührt und vor dem Einschalten der Maschine nicht mit dem Werkstück in Berührung ist.
35. Halten Sie den Handgriff sicher fest. Beachten Sie, dass sich die Säge beim Anlaufen und Abstellen geringfügig nach oben oder unten bewegt.
36. Wechseln Sie die Schlitzplatte bei Verschleiß aus.

Beim Betrieb im Tischsägenmodus (Banksägenmodus):

37. Führen Sie keine freihändigen Arbeiten aus. Mit freihändig ist die Verwendung nur der Hände zum Halten oder Führen des Werkstücks anstelle eines Parallelanschlags gemeint.
38. Vergewissern Sie sich, dass der Arm einwandfrei in der Arbeitsstellung gesichert ist. Ziehen Sie den Hebel zur Sicherung des Arms im Uhrzeigersinn an.
39. Verwenden Sie einen Schiebestock oder -klotz, um zu vermeiden, dass Ihre Hände und Finger in die Nähe des Sägeblatts kommen.
40. Vergewissern Sie sich, dass der Banksägentisch einwandfrei in der gewünschten Höhe festgestellt ist.
41. Vergewissern Sie sich vor dem Einschalten der Maschine, dass das Sägeblatt nicht den Spaltkeil oder das Werkstück berührt.

42. Bewahren Sie den Schiebestock stets sicher auf, wenn er nicht benutzt wird.
43. Beachten Sie besonders die Anweisungen zur Verringerung der Gefahr von RÜCKSCHLAG. RÜCKSCHLAG ist eine plötzliche Reaktion auf ein klemmendes, schleifendes oder versetztes Sägeblatt. RÜCKSCHLAG verursacht das Auswerfen des Werkstücks aus der Maschine nach hinten in Richtung der Bedienungsperson. RÜCKSCHLAG KANN ZU SCHWEREN VERLETZUNGEN FÜHREN. Vermeiden Sie RÜCKSCHLAG, indem Sie das Sägeblatt scharf halten, den Parallelanschlag parallel zum Sägeblatt halten, den Spaltkeil und die Schutzhaube anbringen und in einwandfreiem Betriebszustand halten, das Werkstück nicht eher loslassen, bis es vollkommen am Sägeblatt vorbeigeschoben ist und Werkstücke, die verdreht oder verzogen sind oder keine gerade Kante zur Führung entlang dem Parallelanschlag haben, nicht längssägen.
44. Vermeiden Sie ruckartiges oder zu schnelles Verschieben. Schieben Sie harte Werkstücke möglichst langsam vor. Unterlassen Sie Biegen oder Verdrehen des Werkstücks während des Vorschubs. Falls das Sägeblatt im Werkstück hängen bleibt oder sich verklemmt, schalten Sie die Maschine sofort aus. Trennen Sie die Maschine vom Stromnetz. Befreien Sie dann das Sägeblatt.

BEWAHREN SIE DIESE HINWEISE SORGFÄLTIG AUF.

INSTALLATION

VORSICHT:

- Halten Sie den Bodenbereich um die Maschinenebene aufgeräumt und frei von losen Teilen, wie z.B. Spänen und Sägemärfällen.

Installieren der Kippsicherung (Abb. 1 und 2)

Montieren Sie die Kippsicherung in der Aussparung am Maschinenfuß, und sichern Sie sie durch Anziehen der Sechskantschraube.

Werkbankmontage (Abb. 3)

Diese Maschine sollte unter Verwendung der Schraubenbohrungen in der Grundplatte mit zwei Schrauben auf einer ebenen und stabilen Oberfläche befestigt werden. Dadurch werden Umkippen und mögliche Verletzungen vermieden.

FUNKTIONSBESCHREIBUNG

VORSICHT:

- Vergewissern Sie sich vor jeder Einstellung oder Funktionsprüfung der Maschine stets, dass sie ausgeschaltet und vom Stromnetz getrennt ist.

Schutzhaube (Abb. 4 und 5)

VORSICHT:

- Vergewissern Sie sich, dass der Handgriff nicht abgesenkt werden kann, ohne den Hebel in seiner Nähe nach links zu drücken.
- Vergewissern Sie sich, dass sich die unteren Schutzhauben A und B nur öffnen, wenn der Hebel am Handgriff in der Hochstellung des Handgriffs gedrückt wird.

Wenn der Handgriff abgesenkt wird, während der Hebel nach links gedrückt wird, hebt sich die untere Schutzhaube A automatisch. Die untere Schutzhaube B hebt sich bei Berührung mit dem Werkstück. Die unteren Schutzhauben sind gefedert, so dass sie in ihre Ausgangsstellung zurückkehren, wenn der Schnitt vollendet ist und der Handgriff angehoben wird. Die obere Schutzhaube fällt flach auf die Oberseite, nachdem das Werkstück unter ihr hindurchgeschoben worden ist. **AUF KEINEN FALL DÜRFEN DIE UNTEREN SCHUTZHAUBEN, DIE AN DER UNTEREN SCHUTZHAUBE ANGEBRACHTE FEDER ODER DIE OBERE SCHUTZHAUBE FUNKTIONSunFÄHIG GEMACHT ODER ENTFERNT WERDEN.**

Im Interesse Ihrer eigenen Sicherheit sollten Sie die Schutzhauben stets in ordnungsgemäßem Zustand halten. Funktionsstörungen der Schutzhauben müssen sofort behoben werden. Überprüfen Sie die gefederte Rückkehrbewegung der unteren Schutzhauben. **BENUTZEN SIE DIE MASCHINE NIEMALS MIT BESCHÄDIGTER, DEFEKTER ODER FEHLENDER UNTERER SCHUTZHAUBE, FEDER ODER OBERER SCHUTZHAUBE. DIES IST ÄUSSERST GEFÄHRLICH UND KANN SCHWERE VERLETZUNGEN VERURSACHEN.** Wenn eine dieser transparenten Schutzhauben schmutzig wird oder soviel Sägemehl an ihr haftet, dass das Sägeblatt nicht mehr ohne weiteres sichtbar ist, sollten Sie die Säge vom Stromnetz trennen und die Schutzhaube mit einem feuchten Tuch sorgfältig reinigen. Verwenden Sie keine Lösungsmittel oder Reinigungsmittel auf Petroleumbasis zum Reinigen der Kunststoff-Schutzhaube.

Falls die untere Schutzhaube A besonders stark verschmutzt und die Sicht durch die Schutzhaube behindert ist, gehen Sie folgendermaßen vor. Fixieren Sie den oberen Tisch am oberen Anschlag, heben Sie den Handgriff vollständig an, drücken Sie den Anschlagstift bei vollständig angehobenem Handgriff hinein, und lösen Sie mit dem mitgelieferten Steckschlüssel die Sechskantschraube, mit der die Mittenabdeckung befestigt ist. Lösen Sie die Sechskantschraube durch Drehen entgegen dem Uhrzeigersinn, und heben Sie die untere Schutzhaube A und die Mittenabdeckung an, während Sie den Hebel nach links drücken. In dieser Stellung der unteren Schutzhaube A kann die Reinigung gründlicher und effizienter durchgeführt werden. Wenden Sie nach der Reinigung das obige Demontageverfahren umgekehrt an, und ziehen Sie die Schraube an.

Tritt der oben beschriebene Fall für die obere Schutzhaube ein, lösen Sie die Halteschraube mit einem Schraubendreher, und nehmen Sie die obere Schutzhaube ab. Befestigen Sie die Schutzhaube nach der Reinigung stets einwandfrei, indem Sie die Schraube so weit anziehen, dass sich die obere Schutzhaube ungehindert auf und ab bewegt.

Sollte sich eine dieser Schutzhauben durch Alterung oder UV-Strahlung verfärben, bestellen Sie eine neue Schutzhaube bei einer Makita-Kundendienststelle. **DIE SCHUTZHAUBEN DÜRFEN NICHT FUNKTIONSunFÄHIG GEMACHT ODER ENTFERNT WERDEN.**

Aufrechterhaltung der maximalen Schnittleistung (Abb. 6 und 7)

Diese Maschine wurde werkseitig so eingestellt, dass die maximale Schnittleistung mit einem Sägeblatt von 260 mm Durchmesser erreicht wird.

Wenn Sie ein neues Sägeblatt montieren, überprüfen Sie immer die untere Grenzposition des Sägeblatts, und nehmen Sie nötigenfalls eine Einstellung vor, wie folgt:

VORSICHT:

- Senken Sie den oberen Tisch zur Durchführung dieser Einstellung auf die Tiefstellung ab, nachdem Sie die Maschine vom Stromnetz getrennt haben.

Ziehen Sie zuerst den Netzstecker ab. Senken Sie den oberen Tisch auf die Tiefstellung ab. Senken Sie den Handgriff völlig ab. Drehen Sie die Einstellschraube in der größten Öffnung des oberen Tisches mit dem Steckschlüssel, bis der Sägeblattumfang am Berührungspunkt von Gehrungsanschlag-Vorderseite und Drehteller-Oberfläche geringfügig unterhalb der Drehteller-Oberfläche liegt.

Drehen Sie das Sägeblatt bei vom Stromnetz getrennter Maschine von Hand, während Sie den Handgriff in der Tiefstellung halten, um sicherzugehen, dass das Sägeblatt keinen Teil des Auflagetisches berührt. Nötigenfalls ist eine Nachjustierung vorzunehmen.

VORSICHT:

- Vergewissern Sie sich nach der Montage eines neuen Sägeblatts stets, dass das Sägeblatt in der Tiefstellung des Handgriffs keinen Teil des Auflagetisches berührt. Führen Sie diese Überprüfung immer bei abgezogenem Netzstecker durch.

Einstellen des Gehrungswinkels (Abb. 8)

Lösen Sie den Griff durch Linksdrehung. Drehen Sie den Drehteller, während Sie den Verriegelungshebel niederdrücken. Bewegen Sie den Griff, bis der Zeiger auf den gewünschten Winkel der Gehrungswinkelskala zeigt, und ziehen Sie dann den Griff durch Rechtsdrehung fest.

VORSICHT:

- Bringen Sie den Handgriff in die Hochstellung, bevor Sie den Drehteller drehen.
- Sichern Sie den Drehteller nach jeder Änderung des Gehrungswinkels stets durch Anziehen des Griffs gegen Verdrehen.

Einstellen des Neigungswinkels (Abb. 9 und 10)

Um den Neigungswinkel einzustellen, lösen Sie den Hebel auf der Rückseite der Maschine durch Linksdrehen.

Schwenken Sie den Handgriff nach links, um den Sägekopf zu neigen, bis der Zeiger auf den gewünschten Winkel der Neigungswinkelskala zeigt. Ziehen Sie dann den Verriegelungshebel durch Rechtsdrehen fest, um den Arm einwandfrei zu sichern.

VORSICHT:

- Bringen Sie den Handgriff in die Hochstellung, bevor Sie das Sägeblatt neigen.
- Sichern Sie den Arm nach jeder Änderung des Neigungswinkels stets durch Anziehen des Hebels im Uhrzeigersinn.

Schalterfunktion (Abb. 11)

VORSICHT:

- Vergewissern Sie sich vor dem Betrieb, dass sich die Maschine einwandfrei ein- und ausschalten lässt.

Drücken Sie zum Einschalten der Maschine den Einschaltknopf (I). Drücken Sie zum Ausschalten den Ausschaltknopf (O).

Ein- und Ausschalten der Lampen (Abb. 11 und 12)

Nur für Modell LH1040F

Drücken Sie den Schalter zum Einschalten der Lampe nach oben, und zum Ausschalten nach unten.

VORSICHT:

- Blicken Sie nicht direkt in die Lampe oder die Lichtquelle.

HINWEIS:

- Wischen Sie Schmutz auf der Lampenlinse mit einem trockenen Tuch ab. Achten Sie sorgfältig darauf, dass Sie die Lampenlinse nicht verkratzen, weil sich sonst die Lichtstärke verringert.

Einstellen der Höhe des oberen Tisches (Abb. 13)

Um die Höhe des oberen Tisches einzustellen, lösen Sie die zwei Hebel durch Linksdrehen, und heben oder senken Sie dann den oberen Tisch. Ziehen Sie diese Hebel nach der Einstellung wieder fest.

WARNUNG:

- Heben Sie den oberen Tisch auf die Höchststellung an, um die Maschine im Gehrungssägenmodus zu betreiben, und stellen Sie ihn im Tischesägenmodus (Banksägenmodus) auf die gewünschte Höhe ein.

MONTAGE

VORSICHT:

- Vergewissern Sie sich vor der Ausführung von Arbeiten an der Maschine stets, dass sie ausgeschaltet und vom Stromnetz getrennt ist.

Montieren und Demontieren des Sägeblatts

VORSICHT:

- Vergewissern Sie sich vor der Montage oder Demontage des Sägeblatts stets, dass die Maschine ausgeschaltet und vom Stromnetz getrennt ist.
- Verwenden Sie nur den mitgelieferten Makita-Steckschlüssel zum Montieren und Demontieren des Sägeblatts. Anderenfalls besteht die Gefahr, dass die Sechskantschraube zu fest oder unzureichend angezogen wird. Dies könnte zu einer Verletzung führen.

Sichern Sie den oberen Tisch in der Höchststellung.

Arretieren Sie den Handgriff durch Hineinschieben des Anschlagstifts in der Hochstellung. (Abb. 14)

Um das Sägeblatt zu entfernen, lösen Sie zunächst die Klemmschraube, so dass die untere Schutzhaube B abgesehen wird, wie in der Abbildung gezeigt. (Abb. 15)

Lösen Sie dann die Sechskantschraube, mit der die Mittenabdeckung befestigt ist, durch Linksdrehung mit dem Steckschlüssel. Heben Sie die untere Schutzhaube A und die Mittenabdeckung an, während Sie den Hebel am Handgriff nach links drücken. (Abb. 16)

Blockieren Sie die Spindel durch Drücken der Spindelarretierung, und lösen Sie die Sechskantschraube (linksgängig) durch Rechtsdrehung des Steckschlüssels. Entfernen Sie dann Sechskantschraube, Außenflansch und Sägeblatt. (Abb. 17)

Zum Montieren schieben Sie das Sägeblatt vorsichtig auf die Spindel, wobei Sie darauf achten, dass der Pfeil auf dem Sägeblatt in dieselbe Richtung zeigt wie der Pfeil auf der Schutzhaube. Bringen Sie Außenflansch und Sechskantschraube an, und ziehen Sie dann die Sechskantschraube (linksgängig) bei gedrückter Spindelarretierung durch Linksdrehung des Steckschlüssels fest. (Abb. 18 und 19)

HINWEIS:

- Führen Sie das Sägeblatt zum Installieren zunächst von der Außenseite der Schutzhaube B ein, und heben Sie es dann so weit an, dass es sich in der Schutzhaube B befindet.

Für alle Länder außerhalb Europas

VORSICHT:

Der silberne Ring von 25,4 mm Außendurchmesser wurde werksseitig auf die Spindel montiert. Der schwarze Ring von 25 mm Außendurchmesser wird als Standardzubehör mitgeliefert. Bevor Sie das Sägeblatt an der Spindel anbringen, sollten Sie sich stets vergewissern, dass der korrekte Ring für die Spindelbohrung des zu benutzenden Sägeblatts auf die Spindel montiert ist. (Abb. 20)

Für europäische Länder

VORSICHT:

- Der Ring mit 30 mm Außendurchmesser wurde werksseitig zwischen Innen- und Außenflansch installiert. (Abb. 20)

Bringen Sie die untere Schutzhaube A und die Mittenabdeckung wieder in ihre Ausgangsstellung. Ziehen Sie dann die Sechskantschraube zur Sicherung der Mittenabdeckung im Uhrzeigersinn an. Heben Sie die Schutzhaube B bis zum Anschlag an, und ziehen Sie die Klemmschraube fest an, während Sie die Schutzhaube in der angehobenen Stellung halten. Senken Sie den Handgriff ab, um zu prüfen, ob sich die unteren Schutzhauben einwandfrei bewegen. Vergewissern Sie sich vor der Benutzung der Maschine, dass die Spindelartie rung gelöst ist.

Einstellen des Spaltkeils

Bevor Sie den Spaltkeil einstellen, lösen Sie die zwei Hebel durch Linksdrehen, und drücken Sie den oberen Tisch auf der rechten Seite in der Nähe des Spaltkeils auf die Tiefstellung herunter. Sichern Sie dann den oberen Tisch, indem Sie die zwei Hebel wieder fest anziehen, wie in der Abbildung gezeigt. **(Abb. 21)**

Es muss ein Abstand von etwa 4 – 5 mm zwischen dem Spaltkeil und den Sägeblattzähnen vorhanden sein. Stellen Sie den Spaltkeil entsprechend ein, indem Sie die zwei Sechskantschrauben durch Linksdrehen mit dem Steckschlüssel lösen und den Abstand messen. Ziehen Sie die Sechskantschrauben fest an, und stellen Sie dann sicher, dass die obere Schutzhaube einwandfrei funktioniert, bevor Sie mit dem Sägen beginnen. **(Abb. 22)**

Der Spaltkeil ist werksseitig so eingestellt worden, dass sich Sägeblatt und Spaltkeil auf einer geraden Linie befinden. **(Abb. 23)**

VORSICHT:

- Falls Sägeblatt und Spaltkeil nicht einwandfrei fluchten, kann es während des Betriebs zu einer gefährlichen Klemmwirkung kommen. Vergewissern Sie sich daher, dass sie korrekt ausgerichtet sind. Wird die Maschine ohne korrekt ausgerichteten Spaltkeil benutzt, kann es zu schweren Verletzungen kommen. Sind die Teile aus irgendeinem Grund nicht ausgerichtet, lassen Sie unbedingt eine Reparatur von einer autorisierten Makita-Kundendienststelle durchführen.

Installieren und Einstellen des Parallelenschlags

- Befestigen Sie den Parallelenschlag so am Tisch, dass der Parallelenschlaghalter auf der Führungsschiene ruht. Ziehen Sie die Klemmschraube (B) des Parallelenschlags fest im Uhrzeigersinn an.
- Lösen Sie die Klemmschraube (A).
- Verschieben Sie den Parallelenschlag und befestigen Sie ihn so, dass das von Ihnen abgewandte Ende auf den Punkt ausgerichtet ist, an dem die Vorderkante des Sägeblatts gerade auf der Oberseite des Werkstücks erscheint. Der Zweck dieser Einstellung besteht darin, die Gefahr eines Rückschlags in Richtung der Bedienungsperson zu reduzieren, bei dem das vom Werkstück abgeschnittene Stück zwischen Sägeblatt und Parallelenschlag eingeklemmt und zur Bedienungsperson herausgeschleudert wird. Die Lage der Linie 3 hängt von der Dicke des Werkstücks oder der Tischhöhe ab. Stellen Sie die Position des Parallelenschlags entsprechend der Dicke des Werkstücks ein. Nachdem Sie den Parallelenschlag eingestellt haben, ziehen Sie die Klemmschraube (A) wieder fest an. **(Abb. 24 und 25)**

HINWEIS:

- Es gibt vier Muster zur Positionierung des Parallelenschlags, wie in der Abbildung gezeigt. **(Abb. 26)** Der Parallelenschlag besitzt zwei Schlitze in seinen Seitenflächen, einer mit erhöhtem Rand auf der gleichen Seite, und einer ohne Rand. Die mit diesem Rand versehene Fläche des Parallelenschlags sollte nur dann zum Werkstück weisen, wenn ein Stück eines dünnen Werkstücks abgeschnitten wird.
- Um das Parallelenschlagmuster zu ändern, entfernen Sie den Parallelenschlag vom Halter, indem Sie die Klemmschraube (A) lösen, und ändern Sie die Ausrichtung des Parallelenschlags zum Halter, so dass je nach der anstehenden Arbeit die entsprechende Seite zum Halter weist, wie in der Abbildung gezeigt. Führen Sie die Vierkantmutter am Parallelenschlaghalter in das hintere Ende des jeweiligen Schlitzes im Parallelenschlag ein, so dass sie die in der Abbildung gezeigte Position hat.

Um das Muster von A oder B nach C oder D oder umgekehrt zu ändern, entfernen Sie Vierkantmutter, Unterlegscheibe und Klemmschraube (A) vom Parallelenschlaghalter, und bringen Sie dann Klemmschraube (A), Unterlegscheibe und Vierkantmutter auf der entgegengesetzten Seite der ursprünglichen Position an. Ziehen Sie die Klemmschraube (A) fest an, nachdem Sie die Vierkantmutter des Parallelenschlaghalters in den Schlitz des Parallelenschlags eingeführt haben. Führen Sie die Vierkantmutter am Parallelenschlaghalter in das hintere Ende des jeweiligen Schlitzes im Parallelenschlag ein, so dass sie die in der Abbildung gezeigte Position hat. **(Abb. 27)**

Der Parallelenschlag ist werksseitig so eingestellt, dass er parallel zur Sägeblatfläche liegt. Vergewissern Sie sich, dass er parallel ist. Um sicherzustellen, dass der Parallelenschlag parallel zum Sägeblatt ist, senken Sie den Tisch auf die Tiefstellung ab, so dass das Sägeblatt am weitesten vom Tisch übersteht. Markieren Sie einen der Sägeblattzähne mit einem Buntstift. Messen Sie die Abstände (A) und (B) zwischen Parallelenschlag und Sägeblatt. Verwenden Sie für beide Messungen den markierten Zahn. **(Abb. 28)** Diese beiden Messungen müssen identisch sein. Ist der Parallelenschlag nicht parallel zum Sägeblatt, gehen Sie wie folgt vor: **(Abb. 29)**

- Drehen Sie die zwei Einstellschrauben entgegen dem Uhrzeigersinn.
- Verschieben Sie die Hinterkante des Parallelenschlags geringfügig nach rechts oder links, bis er parallel zum Sägeblatt ist.
- Ziehen Sie die zwei Schrauben am Parallelenschlag fest an.

VORSICHT:

- Stellen Sie den Parallelenschlag unbedingt parallel zum Sägeblatt ein, weil sonst eine gefährliche Rückschlagsituation eintreten kann.
- Stellen Sie den Parallelenschlag so ein, dass er nicht mit der oberen Schutzhaube oder dem Sägeblatt in Berührung kommt. **(Abb. 30)**

Staubsaack

Der Staubsaack ermöglicht sauberes Arbeiten und einfaches Staubsaammeln. Zum Anbringen wird der Staubsaack auf den Absaugstutzen geschoben. **(Abb. 31)**

HINWEIS:

- Bringen Sie den Staubsaack im Gehrungssägenmodus immer nur am rückseitigen Absaugstutzen an.

Wenn der Staubsaack etwa halb voll ist, nehmen Sie ihn von der Maschine ab und ziehen den Verschluss heraus. Entleeren Sie den Staubsaack, indem Sie ihn leicht abklopfen, um die an den Innenflächen haftenden Staubpartikel, die den Durchlass behindern können, zu lösen. **(Abb. 32)**

Wenn Sie einen Makita-Staubsauger an Ihre Säge anschließen, können Sie noch effizienter und sauberer arbeiten.

Um die Sägeblattabdeckung bei Verwendung im Tischsägenmodus (Banksägenmodus) zu installieren, stellen Sie den Drehteller auf den 0°-Gehrungswinkel ein (siehe den Abschnitt "Einstellen des Gehrungswinkels"), bringen Sie die Sägeblattabdeckung so am Drehteller an, dass die Sägeblattabdeckung über dem Sägeblattschlitz des Drehtellers zentriert ist, und verriegeln Sie dann den Handgriff in der Tiefstellung, indem Sie den Anschlagstift vollständig hineindrücken, wie in der Abbildung gezeigt. **(Abb. 33)**

HINWEIS:

- Um den Staubsaack im Tischsägenmodus (Banksägenmodus) am vorderen Absaugstutzen anzubringen, nehmen Sie zuerst die Kappe vom Absaugstutzen ab, und bringen Sie dann den Staubsaack am Absaugstutzen an.
- Wenn der Staubsaack nicht benutzt wird, verschließen Sie den vorderen Absaugstutzen stets mit der Kappe. Anderenfalls tritt Staub aus dem Absaugstutzen aus.
- Wenn Sie die Maschine im Tischsägenmodus (Banksägenmodus) verwenden, achten Sie darauf, dass die Sägeblattabdeckung am Drehteller angebracht ist.

Sicherung von Werkstücken

Spannen Sie das Werkstück nach Möglichkeit in den optionalen Schraubstock ein. Wenn Sie das Werkstück mit der Hand halten müssen, halten Sie es mit festem Griff, damit Sie nicht die Kontrolle über das Werkstück verlieren. Halten Sie Hand und Arm vom Sägeblattbereich fern (mindestens 100 mm). Drücken Sie das Werkstück fest gegen den Gehrungsanschlag, indem Sie mit Ihren Fingern über den Gehrungsanschlag greifen. Das Werkstück muss auch fest auf dem Drehteller aufliegen.

WARNUNG:

- Halten Sie ein Werkstück, bei dem Ihre Hand näher als 100 mm an den Sägeblattbereich herankommt, niemals mit der Hand. Sichern Sie das Werkstück in diesem Fall immer mit dem optionalen Schraubstock. Heben Sie das Sägeblatt nach jedem Schneidvorgang sachte an. Heben Sie das Sägeblatt erst an, nachdem es zum völligen Stillstand gekommen ist. Anderenfalls kann es zu schweren Verletzungen kommen.

VORSICHT:

- Wenn Sie lange Werkstücke schneiden, verwenden Sie Stützen, die ebenso hoch sind wie die Oberseite des Drehtellers. Verlassen Sie sich nicht nur auf den Vertikal- und/oder Horizontalschraubstock (beide optional) zur Sicherung des Werkstücks. **(Abb. 34)** Dünnes Material neigt zum Durchhängen. Stützen Sie das Werkstück auf seiner gesamten Länge ab, um Klemmen des Sägeblatts und möglichen RÜCKSCHLAG zu vermeiden.

Vertikal-Schraubstock (Sonderzubehör) (Abb. 35)

Der Vertikal-Schraubstock kann an zwei Positionen entweder auf der linken oder rechten Seite des Gehrungsanschlags oder der Auflageplatte (Sonderzubehör) montiert werden. Setzen Sie die Schraubstockstange in die Bohrung des Gehrungsanschlags oder der Auflageplatte ein, und sichern Sie sie durch Anziehen der Schraube.

Stellen Sie den Schraubstockarm auf die Abmessungen des Werkstücks ein, und sichern Sie ihn durch Anziehen der Schraube. Falls die Befestigungsschraube des Schraubstockarms mit dem Gehrungsanschlag in Berührung kommt, installieren Sie die Schraube auf der entgegengesetzten Seite des Schraubstockarms. Vergewissern Sie sich, dass keine Maschinenteile mit dem Schraubstock in Berührung kommen, wenn der Handgriff auf die Tiefstellung abgesenkt wird. Falls irgendwelche Teile mit dem Schraubstock in Berührung kommen, ist der Schraubstock zu versetzen. Drücken Sie das Werkstück flach gegen Gehrungsanschlag und Drehteller. Bringen Sie das Werkstück in die gewünschte Schnittposition, und sichern Sie es einwandfrei durch Anziehen des Schraubstockknopfes.

VORSICHT:

- Das Werkstück muss fest an Drehteller und Gehrungsanschlag anliegend gesichert werden.

Horizontal-Schraubstock (Sonderzubehör)

(Abb. 36)

Der Horizontal-Schraubstock kann entweder auf der linken oder rechten Seite des Auflagetisches montiert werden. Wenn Gehrungsschnitte in einem Winkel von 15° oder mehr ausgeführt werden, ist der Horizontal-Schraubstock auf der entgegengesetzten Seite der Drehteller-Drehrichtung zu montieren. Durch Linksdrehung des Schraubstockknopfes wird die Schraube gelöst, so dass der Schraubstockschaft schnell vor- und zurückgehoben werden kann. Durch Rechtsdrehen des Schraubstockknopfes bleibt die Schraube gesichert. Drehen Sie den Schraubstockknopf zum Einspannen von Werkstücken sachte im Uhrzeigersinn, bis der Vorsprung seine Höchstposition erreicht, und ziehen Sie ihn dann fest. Wird der Schraubstockknopf während der Rechtsdrehung hineingedrückt oder herausgezogen, bleibt der Vorsprung eventuell schräg stehen. Drehen Sie den Schraubstockknopf in diesem Fall entgegen dem Uhrzeigersinn zurück, bis sich die Schraube löst, bevor Sie ihn wieder sachte im Uhrzeigersinn drehen. Werkstücke von maximal 130 mm Breite können mit dem Horizontal-Schraubstock eingespannt werden.

Auflagebügel und Auflageplatte (Sonderzubehör)

Die Auflagebügel und die Auflageplatte können zur zusätzlichen horizontalen Abstützung von Werkstücken auf beiden Seiten montiert werden. Montieren Sie die Teile, wie in der Abbildung gezeigt. Ziehen Sie dann die Schrauben fest, um Auflagebügel und Auflageplatte zu sichern. (Abb. 37)

Wenn Sie lange Werkstücke sägen, verwenden Sie den Auflageverlängerungssatz (Sonderzubehör). Dieser besteht aus zwei Auflageplatten und zwei Stangen 12. (Abb. 38)

VORSICHT:

- Lange Werkstücke müssen stets auf gleicher Höhe mit der Drehteller-Oberfläche abgestützt werden, um genaue Schnitte auszuführen und gefährlichen Verlust der Kontrolle über die Maschine zu vermeiden.

BETRIEB

VORSICHT:

- Lösen Sie den Handgriff vor der Benutzung unbedingt aus der Tiefstellung, indem Sie den Anschlagstift herausziehen.
- Vergewissern Sie sich vor dem Einschalten der Maschine, dass das Sägeblatt nicht das Werkstück usw. berührt.

VERWENDUNG ALS GEHRUNGSSÄGE

WARNUNG:

- Wenn Sie die Maschine im Gehrungssägenmodus verwenden, sichern Sie den oberen Tisch in der Höchststellung, damit das Sägeblatt nicht über die Oberfläche des oberen Tisches hinausragt.

VORSICHT:

- Üben Sie beim Schneiden keinen übermäßigen Druck auf den Handgriff aus. Zu starker Druck kann zu Überlastung des Motors und/oder verminderter Schnittleistung führen. Drücken Sie den Handgriff nur mit so viel Kraft nieder, wie für reibungslosen Sägebetrieb notwendig ist, ohne einen beträchtlichen Abfall der Sägeblattzahl zu verursachen.
- Drücken Sie den Handgriff zur Ausführung des Schnitts sachte nieder. Bei zu großer oder seitlicher Kraftausübung kann das Sägeblatt in Schwingung versetzt werden, wodurch zusätzliche Sägespuren im Werkstück erzeugt werden und die Schnittgenauigkeit beeinträchtigt wird.

1. Kappschnitt (Abb. 39)

Legen Sie das Werkstück auf den Gehrungsanschlag und den Drehteller auf. Spannen Sie das Werkstück mit dem Schraubstock ein. Schalten Sie die Maschine ein, ohne dass das Sägeblatt Kontakt hat, und warten Sie, bis es seine volle Drehzahl erreicht, bevor Sie es absenken. Senken Sie dann den Handgriff zum Schneiden des Werkstücks sachte bis auf die Tiefstellung ab. Sobald der Schnitt beendet ist, schalten Sie die Maschine aus, und WARTEN SIE, BIS DAS SÄGEBLATT ZUM VÖLLIGEN STILLSTAND GEKOMMEN IST, bevor Sie den Sägekopf wieder ganz anheben.

2. Gehrungsschnitt

Nehmen Sie auf den vorherigen Abschnitt "Einstellen des Gehrungswinkels" Bezug.

3. Neigungsschnitt (Abb. 40)

Lösen Sie den Hebel, und neigen Sie das Sägeblatt auf den gewünschten Neigungswinkel (siehe den obigen Abschnitt "Einstellen des Neigungswinkels"). Ziehen Sie den Hebel unbedingt fest an, um den eingestellten Neigungswinkel einwandfrei zu sichern. Legen Sie das Werkstück auf den Gehrungsanschlag und den Drehteller auf. Vergewissern Sie sich, dass der Schlitten ganz in Richtung der Bedienungsperson zurückgezogen ist. Schalten Sie die Maschine ein, ohne dass das Sägeblatt Kontakt hat, und warten Sie, bis es seine volle Drehzahl erreicht. Senken Sie dann den Handgriff unter Druckausübung in Richtung des Sägeblatts sachte bis zur Tiefstellung ab. Sobald der Schnitt beendet ist, schalten Sie die Maschine aus, und WARTEN SIE, BIS DAS SÄGEBLATT ZUM VÖLLIGEN STILLSTAND GEKOMMEN IST, bevor Sie den Sägekopf wieder ganz anheben.

VORSICHT:

- Vergewissern Sie sich stets, dass sich das Sägeblatt während eines Neigungsschnitts in Schrägrichtung senkt. Halten Sie Ihre Hände von der Schnittlinie des Sägeblatts fern.
- Bei Neigungsschnitten kann es vorkommen, dass das abgeschnittene Stück an der Seitenfläche des Sägeblatts aufliegt. Durch Anheben des Sägekopfes bei noch laufender Maschine kann das Werkstück vom Sägeblatt erfasst werden, was zu gefährlichem Herausgeschleudern von Bruchstücken führen kann. Der Sägekopf darf erst angehoben werden, nachdem das Sägeblatt zum völligen Stillstand gekommen ist.
- Üben Sie den Druck auf den Handgriff immer nur parallel zum Sägeblatt aus. Verläuft die Druckrichtung während eines Schnitts nicht parallel zum Sägeblatt, kann sich der Winkel des Sägeblatts verändern, wodurch die Schnittgenauigkeit beeinträchtigt wird.

4. Compoundschnitt

Unter Compoundschnitt versteht man das Schneiden eines Werkstücks mit gleichzeitiger Gehrungs- und Neigungswinkleinstellung. Die Kombinationsmöglichkeiten entnehmen Sie bitte der nachstehenden Tabelle.

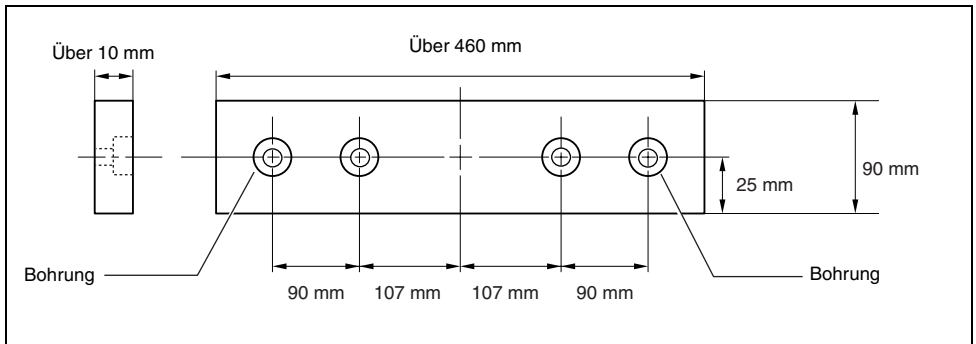
Neigungswinkel	Gehrungswinkel
45°	Links und Rechts 0° – 45°

Nehmen Sie zur Durchführung von Compoundschnitten auf die Erläuterungen unter "Kappschnitt", "Gehrungsschnitt" und "Neigungsschnitt" Bezug.

6. Zwischenbrett

Durch die Verwendung eines Zwischenbretts lassen sich Werkstücke splitterfrei sägen. Die Bohrungen im Gehrungsanschlag dienen als Befestigungshilfe für ein Zwischenbrett.

Die Maße für ein vorgeschlagenes Zwischenbrett sind aus der Abbildung ersichtlich.



VORSICHT:

- Verwenden Sie glatt gehobeltes Holz von gleichmäßiger Dicke als Zwischenbrett.
- Befestigen Sie das Zwischenbrett mit Schrauben am Gehrungsanschlag. Die Schrauben sind so zu installieren, dass die Schraubenköpfe im Zwischenbrett versenkt sind.
- Drehen Sie den Drehteller bei montiertem Zwischenbrett nicht mit abgesenktem Handgriff. Anderenfalls kommt es zu einer Beschädigung des Sägeblatts und/oder des Zwischenbretts.

7. Wiederholtes Schneiden auf gleiche Länge (Abb. 42)

Wenn Sie mehrere Werkstücke innerhalb des Bereichs von 240 mm bis 400 mm auf die gleiche Länge schneiden, ist die Verwendung der Anschlagplatte zu empfehlen, um rationeller zu arbeiten. Montieren Sie die Anschlagplatte am Auflagebügel, wie in der Abbildung gezeigt.

Richten Sie die Schnittlinie des Werkstücks entweder auf die linke oder rechte Kante der Nut in der Schlitzplatte aus, und schieben Sie die Anschlagplatte bündig gegen das Ende des Werkstücks, während Sie das Werkstück am Verrutschen hindern. Sichern Sie dann die Anschlagplatte mit der Flügelschraube. Wenn Sie die Anschlagplatte nicht benutzen, lösen Sie die Flügelschraube, um die Anschlagplatte zur Seite zu schieben.

HINWEIS:

- Der Auflageverlängerungssatz (Sonderzubehör) ermöglicht das wiederholte Schneiden auf gleiche Längen von bis zu etwa 2 200 mm.

5. Schneiden von Aluminium-Strangpressprofilen (Abb. 41)

Verwenden Sie zum Einspannen von Aluminium-Strangpressprofilen Distanzblöcke oder Abfallholzstücke, wie in der Abbildung gezeigt, um eine Verformung des Aluminiums zu vermeiden. Verwenden Sie Schneidflüssigkeit zum Schneiden von Aluminium-Strangpressprofilen, um die Ablagerung von Aluminium-Rückständen am Sägeblatt zu verhüten.

VORSICHT:

- Versuchen Sie niemals, dickes oder rundes Aluminium-Strangpressmaterial zu schneiden. Dicke Aluminium-Strangpressprofile können sich während der Arbeit lösen, und runde Aluminium-Strangpressprofile lassen sich mit dieser Maschine nicht einwandfrei einspannen.
- Schneiden Sie auf keinen Fall Aluminium im Tischsägegenmodus (Banksägenmodus).

VERWENDUNG ALS TISCHSÄGE (BANKSÄGENMODUS)

VORSICHT:

- Wenn Sie die Maschine im Tischsägegenmodus (Banksägenmodus) verwenden, bringen Sie die Sägeblattabdeckung so am Drehteller an, dass sie über dem Sägeblattschlitz im Drehteller zentriert ist und die zwei kleinen Vorsprünge auf der Unterseite der Sägeblattabdeckung in dem halbkreisförmigen Schlitz am Rand des Drehtellers sitzen, wie in der Abbildung gezeigt, und verriegeln Sie dann den Handgriff in der Tiefststellung, indem Sie den Anschlagstift vollständig hineindrücken. (Abb. 43)
- Verwenden Sie stets "Arbeitshilfen", wie z.B. Schiebepöcke und Schiebelöcke, wenn die Gefahr besteht, dass Sie mit den Händen oder Fingern in die Nähe des Sägeblatts kommen.

- Entnehmen Sie das Werkstück NIEMALS bei rotierendem Sägeblatt. Wenn Sie das Werkstück vor der Vollendung eines Schnitts entnehmen müssen, schalten Sie zuerst die Maschine aus, während Sie das Werkstück festhalten. Warten Sie, bis das Sägeblatt zum vollkommenen Stillstand gekommen ist, bevor Sie das Werkstück entnehmen. Anderenfalls kann es zu gefährlichen Rückschlägen kommen.
- Entfernen Sie abgesägtes Material NIEMALS bei rotierendem Sägeblatt.
- Halten Sie NIEMALS Ihre Hände oder Finger in den Weg des Sägeblatts.
- Sichern Sie den Parallelanschlag stets einwandfrei, weil es sonst zu gefährlichen Rückschlägen kommen kann.

Arbeitshilfen

Schiebestöcke, Schiebeklötze oder Hilfsanschlüsse sind "Arbeitshilfen". Verwenden Sie diese, um sichere, saubere Schnitte auszuführen und zu verhüten, dass Sie mit irgendeinem Körperteil das Sägeblatt berühren.

Schiebeklotz (Abb. 44)

Verwenden Sie ein 15 mm dickes Sperrholzstück. Der Handgriff muss in der Mitte des Sperrholzstücks liegen. Befestigen Sie ihn mit Leim und Holzschrauben, wie gezeigt. Ein kleines Holzstück von 10 mm x 9 mm x 30 mm muss immer an das Sperrholz angeleimt werden, um Abstumpfen des Sägeblatts zu verhüten, falls die Bedienungsperson versehentlich in den Schiebeklotz schneidet. (Niemals Nägel im Schiebeklotz verwenden.)

Hilfsanschlag (Abb. 45 und 46)

Fertigen Sie einen Hilfsanschlag aus 10 und 15 mm dicken Sperrholzstücken an.

Entfernen Sie Parallelanschlag, Klemmschraube (A), Unterlegscheibe und Vierkantmutter vom Parallelanschlaghalter, und befestigen Sie dann den Hilfsanschlag mit einer M6-Schraube länger als M6 x 50, Unterlegscheiben und einer Mutter am Parallelanschlaghalter.

Längssägen

VORSICHT:

- Wenn Sie lange oder große Werkstücke sägen, sorgen Sie stets für angemessene Abstützung hinter dem Tisch. Achten Sie darauf, dass sich ein langes Brett NICHT auf dem Tisch bewegt oder verschiebt. Dies führt zu Klemmen des Sägeblatts und erhöht die Wahrscheinlichkeit von Rückschlägen und Verletzungen. Die Stütze sollte die gleiche Höhe wie der Tisch haben.
1. Stellen Sie die Schnitttiefe etwas größer als die Dicke des Werkstücks ein. Lösen Sie dazu die zwei Hebel, und senken oder heben Sie den oberen Tisch.
 2. Stellen Sie den Parallelanschlag auf die gewünschte Längsschnittbreite ein, und sichern Sie ihn durch Anziehen der Klemmschraube (A). Vergewissern Sie sich vor dem Längssägen, dass die zwei Schrauben am Parallelanschlaghalter angezogen sind. Falls sie locker sind, ziehen Sie sie fest.

3. Schalten Sie die Maschine ein, und schieben Sie das Werkstück entlang dem Parallelanschlag sachte gegen das Sägeblatt.

- (1) Wenn die Längsschnittbreite 40 mm oder breiter ist, verwenden Sie einen Schiebestock. (**Abb. 47**)
- (2) Wenn die Längsschnittbreite kleiner als 40 mm ist, kann der Schiebestock nicht verwendet werden, weil er mit der oberen Schutzhaube in Berührung kommt. Verwenden Sie einen Hilfsanschlag und einen Schiebeklotz. Befestigen Sie den Hilfsanschlag sicher am Parallelanschlaghalter auf dem Tisch. Schieben Sie das Werkstück von Hand vor, bis die Vorderkante etwa 25 mm von der Vorderkante des oberen Tisches entfernt ist. Schieben Sie das Werkstück mit Hilfe des Schiebeklotzes auf der Oberseite des Hilfsanschlags weiter vor, bis der Schnitt vollendet ist. (**Abb. 48**)

Tragen der Maschine

Vergewissern Sie sich, dass der Netzstecker abgezogen ist. Sichern Sie das Sägeblatt in der 0°-Neigungswinkelstellung und den Drehteller ganz in der linken Gehrungswinkelstellung. Senken Sie den Handgriff ganz ab, und arretieren Sie ihn in der Tiefstellung, indem Sie den Anschlagstift vollständig hineindrücken. (**Abb. 49**)

Tragen Sie die Maschine, indem Sie die Grundplatte auf beiden Seiten halten, wie in der Abbildung gezeigt. Die Maschine lässt sich bequemer tragen, wenn Auflagebügel, Staubsock usw. entfernt werden. (**Abb. 50**)

VORSICHT:

- Sichern Sie stets alle beweglichen Teile, bevor Sie die Maschine tragen.

WARTUNG

VORSICHT:

- Denken Sie vor der Durchführung von Überprüfungen oder Wartungsarbeiten stets daran, die Maschine auszuschalten und vom Stromnetz zu trennen.

WARNUNG:

- Achten Sie stets darauf, dass das Sägeblatt scharf und sauber ist, um die bestmögliche und sicherste Leistung zu erzielen.

Einstellen des Schnittwinkels

Diese Maschine wurde werkseitig sorgfältig eingestellt und justiert, doch grobe Behandlung kann die Justierung beeinträchtigen. Sollte Ihre Maschine einer Nachjustierung bedürfen, gehen Sie folgendermaßen vor:

1. Gehrungswinkel

Lösen Sie den Spanngriff, mit dem der Drehteller gesichert wird. Drehen Sie dann den Drehteller, so dass der Zeiger auf 0° auf der Gehrungswinkelskala zeigt. Ziehen Sie den Griff an, und lösen Sie die Sechskantschrauben, die den Gehrungsanschlag halten, mit dem Steckschlüssel. (**Abb. 51**)

Senken Sie den Handgriff ganz ab, und arretieren Sie ihn in der Tiefstellung durch Hineindrücken des Anschlagstifts. Bringen Sie die Seitenfläche des Sägeblatts mit Hilfe eines Einstelldreiecks, Anschlagwinkels usw. in den rechten Winkel mit der Fläche des Gehrungsanschlags. Ziehen Sie dann die Sechskantschrauben des Gehrungsanschlags von rechts der Reihe nach fest. (**Abb. 52**)

2. Neigungswinkel

(1) 0°-Neigungswinkel

Senken Sie den Handgriff ganz ab, und arretieren Sie ihn in der Tiefstellung durch Hineindrücken des Anschlagstifts. Lösen Sie den Hebel auf der Rückseite der Maschine. Drehen Sie die 0°-Neigungswinkel-Einstellschraube auf der rechten Seite des Drehtellers um zwei bis drei Umdrehungen im Uhrzeigersinn, um das Sägeblatt nach rechts zu neigen.

(Abb. 53)

Bringen Sie die Seitenfläche des Sägeblatts mit Hilfe eines Einstelldreiecks, Anschlagwinkels usw. in den rechten Winkel mit der Drehteller-Oberfläche, indem Sie die 0°-Neigungswinkel-Einstellschraube entgegen dem Uhrzeigersinn drehen. **(Abb. 54)**

Vergewissern Sie sich, dass der Zeiger am Drehteller auf 0° der Neigungswinkelskala am Arm zeigt. Falls der Zeiger nicht auf 0° zeigt, lösen Sie die Halteschraube des Zeigers, und stellen Sie den Zeiger so ein, dass er auf 0° zeigt. **(Abb. 55)**

(2) 45°-Neigungswinkel

Diese Einstellung kann erst nach erfolgter Einstellung des 0°-Neigungswinkels durchgeführt werden. Zum Einstellen des linksseitigen 45°-Neigungswinkels lösen Sie den Hebel und neigen das Sägeblatt ganz nach links. Vergewissern Sie sich, dass der Zeiger am Arm auf 45° der Neigungswinkelskala am Arm zeigt. Falls der Zeiger nicht auf 45° zeigt, drehen Sie die 45°-Neigungswinkel-Einstellschraube auf der linken Seite des Arms, bis der Zeiger auf 45° zeigt. **(Abb. 56)**

Auswechseln der Kohlebürsten **(Abb. 57 und 58)**

Die Kohlebürsten müssen regelmäßig entfernt und überprüft werden. Wenn sie bis zur Verschleißgrenze abgenutzt sind, müssen sie erneuert werden. Halten Sie die Kohlebürsten stets sauber, damit sie ungehindert in den Haltern gleiten können. Beide Kohlebürsten sollten gleichzeitig erneuert werden. Verwenden Sie nur identische Kohlebürsten.

Drehen Sie die Bürstenhalterkappen mit einem Schraubendreher heraus. Nehmen Sie die abgenutzten Kohlebürsten heraus, setzen Sie die neuen ein, und drehen Sie dann die Bürstenhalterkappen wieder ein.

Nach dem Gebrauch

- Wischen Sie nach dem Gebrauch an der Maschine haftende Späne und Staub mit einem Tuch oder dergleichen ab. Halten Sie die "Schutzhaube" gemäß den Anweisungen im vorhergehenden Abschnitt "Schutzhaube" sauber. Schmieren Sie die Gleitteile der Maschine mit Öl, um Rostbildung zu verhüten.

Um die SICHERHEIT und ZUVERLÄSSIGKEIT dieses Produkts zu gewährleisten, sollten Reparaturen und andere Wartungs- oder Einstellarbeiten nur von Makita-Vertragswerkstätten oder Makita-Kundendienstzentren unter ausschließlicher Verwendung von Makita-Originalersatzteilen ausgeführt werden.

ZUBEHÖR

VORSICHT:

- Die folgenden Zubehörteile oder Vorrichtungen werden für den Einsatz mit der in dieser Anleitung beschriebenen Makita-Maschine empfohlen. Die Verwendung anderer Zubehörteile oder Vorrichtungen kann eine Verletzungsgefahr darstellen. Verwenden Sie Zubehörteile oder Vorrichtungen nur für ihren vorgesehenen Zweck.

Wenn Sie weitere Einzelheiten bezüglich dieser Zubehörteile benötigen, wenden Sie sich bitte an Ihre Makita-Kundendienststelle.

- Stahl- und hartmetallbestückte Sägeblätter
- Auflageplatte
- Schraubstockeinheit (Horizontal-Schraubstock)
- Vertikal-Schraubstock
- Steckschlüssel 13
- Haltersatz
- Auflageverlängerungssatz
- Kippicherung
- Halteplatte
- Staubsack
- Einstelldreieck
- Sägeblattabdeckung (Schutzhaube C)
- Schiebstock
- Linealeinheit (Parallelanschlag)

Visione generale

1 Piastra ausiliaria	32 Cassa lama	63 Gruppo supporto
2 Bullone esagonale	33 Freccia	64 Manopola morsa
3 Base	34 Flangia esterna	65 Sporgenza
4 Dado	35 Flangia interna	66 Albero morsa
5 Bullone	36 Mandrino	67 Barra 12
6 Protezione A inferiore lama	37 Anello	68 Morsa (accessorio opzionale)
7 Protezione B inferiore lama	38 Coltello divisore	69 Blocco distanziatore
8 Protezione superiore lama	39 Area da premere dentro	70 Estrusione di alluminio
9 Vite	40 Larghezza lama	71 Piastra di regolazione
10 Manico	41 Supporto guida pezzo	72 Piccola bozza
11 Leva	42 Rotaia guida su tavolo superiore	73 Parallelo a faccia/bordo
12 Chiave a bussola	43 Vite di chiusura (A)	74 Vite per legno
13 Bullone di regolazione	44 Vite di chiusura (B)	75 Incollati insieme
14 Superficie superiore base girevole	45 Guida pezzo	76 Foro (7 mm di diametro)
15 Periferia lama	46 Supporto guida pezzo	77 Rondella
16 Guida pezzo	47 Pezzo	78 Dado
17 Indice	48 Linea da allineare con	79 Bullone M6
18 Leva di blocco	49 Dado quadrato	80 Asta di spinta
19 Impugnatura	50 Scala	81 Guida ausiliaria
20 Squadra a 45°	51 Due viti	82 Blocco di spinta
21 Squadra falsa	52 Bocchettone segatura	83 Righello triangolare
22 Interruttore	53 Sacchetto segatura	84 Bullone di regolazione 0°
23 Interruttore lampadine	54 Chiusura	85 Braccio
24 Lampadine	55 Tappo	86 Bullone di regolazione angolo taglio a unghia 45°
25 Perno di fermo	56 Aspiratore	87 Segno di limite
26 Vite di chiusura	57 Coperchio lama	88 Cacciavite
27 Tavolo superiore	58 Sostegno	89 Tappo portaspaZZole
28 Alloggiamento motore	59 Base girevole	
29 Coperchio centrale	60 Braccio morsa	
30 Blocco albero	61 Asta morsa	
31 Lama	62 Supporto	

DATI TECNICI

Modello

LH1040/LH1040F

Diametro lama 255 mm – 260 mm

Diametro foro

Modello per i Paesi extraeuropei 25,4 mm e 25 mm

Modello per i Paesi europei 30 mm

Capacità massima di taglio (Alt. x Largh.) con lama di 260 mm di diametro nella modalità di sega circolare

Angolo di taglio a unghia	Angolo di taglio a quartabuono	
	0°	45°
0°	69 mm x 130 mm 93 mm x 95 mm	destro 69 mm x 85 mm, 93 mm x 67 mm sinistro 69 mm x 85 mm, 93 mm x 67 mm
45° (sinistro)	35 mm x 130 mm 53 mm x 95 mm	destro 35 mm x 91 mm, 49 mm x 67 mm sinistro 35 mm x 65 mm, 49 mm x 42 mm


Capacità massima di taglio a 90° nella modalità di sega da tavolo (sega da banco) 40 mm

 Velocità senza carico (min⁻¹) 4.800

Dimensioni tavolo (Largh. x Lungh.) 260 mm x 405 mm

Dimensioni (L x A x P) 530 mm x 476 mm x 535 mm

Peso netto 13,7 kg

 Classe di sicurezza  /II

- Per il nostro programma di ricerca e sviluppo continui, i dati tecnici sono soggetti a modifiche senza avviso.
- Nota: I dati tecnici potrebbero differire a seconda del Paese di destinazione del modello.

Utilizzo previsto

Questo utensile è progettato per i tagli diritti di precisione e (soltanto quando usato come sega circolare sul tavolo inferiore) per i tagli obliqui nel legno.

Alimentazione

L'utensile deve essere collegato a una presa di corrente con la stessa tensione indicata sulla targhetta del nome, e può funzionare soltanto con la corrente alternata monofase. Esso ha un doppio isolamento conforme alle norme europee, e può perciò essere collegato alle prese di corrente sprovviste della messa a terra.

Consigli per la sicurezza

Per la vostra sicurezza, riferitevi alle accluse istruzioni per la sicurezza.

REGOLE ADDIZIONALI DI SICUREZZA PER L'UTENSILE

Per entrambe le modalità di sega circolare e di sega da tavolo (sega da banco):

1. Indossare le protezioni per gli occhi e per le orecchie. Indossare anche altri articoli di protezione adatti al lavoro.
2. MAI lavorare con i guanti, eccetto per cambiare le lame o per maneggiare materiali grezzi prima di procedere con il lavoro.
3. Mantenere pulito il pavimento intorno all'utensile, ed esente da materiali sciolti, per es., trucioli e ritagli.
4. Non usare la sega senza le protezioni e il coltello divisore in posizione. Controllare che le protezioni lama si chiudano correttamente prima di ciascun utilizzo. Non usare la lama se le protezioni non si muovono liberamente e non si chiudono istantaneamente. Mai bloccare o legare aperte le protezioni. Qualsiasi funzionamento irregolare delle protezioni lama deve essere corretto immediatamente.
5. Pulire e fare attenzione a non danneggiare il mandrino, le flange (specialmente la superficie di installazione) e il bullone esagonale prima di installare o quando si installa la lama. Se queste parti sono danneggiate, potrebbero causare la rottura della lama. La scarsa installazione potrebbe causare vibrazioni/ondeggianti o lo slittamento della lama. Usare soltanto le flange specificate per questo utensile.
6. Controllare con cura che sulla lama non ci siano crepe od altri danni prima del lavoro. Non usare le lame danneggiate o deformate.
7. Usare soltanto le lame consigliate dal produttore e che sono conformi a EN847-1, e controllare che il coltello divisore non sia più spesso della larghezza di taglio della lama o più sottile del corpo della lama.
8. Usare sempre gli accessori consigliati in questo manuale. L'uso di accessori inadatti, come le lame diamantate abrasive, potrebbe causare lesioni.
9. Selezionare la lama corretta per il materiale da tagliare.
10. Non usare lame fabbricate con acciaio ad alta velocità.
11. Per ridurre il rumore emesso, accertarsi sempre che la lama sia affilata e pulita.

12. Usare lame affilate correttamente. Osservare la velocità massima marcata sulla lama.
13. Non tagliare metalli come chiodi e viti. Ispezionare il pezzo e rimuovere tutti i chiodi, viti ed altre sostanze estranee prima del lavoro.
14. Batter via i nodi del pezzo PRIMA di cominciare il taglio.
15. Non usare l'utensile in presenza di liquidi o gas infiammabili.
16. Per la propria sicurezza, rimuovere tutti i trucioli, frammenti, ecc., dall'area di da sopra il tavolo di collegare l'utensile alla presa di corrente e cominciare il lavoro.
17. L'operatore deve essere adeguatamente addestrato nell'uso, regolazione e funzionamento dell'utensile.
18. Tenere le mani, la propria persona e chi è vicino fuori dal percorso della lama e non in linea con essa. Evitare il contatto con qualsiasi lama che gira per forza d'inerzia. Essa può ancora causare lesioni serie, e mai allungare le mani intorno all'utensile davanti alla lama.
19. Fare sempre attenzione, soprattutto durante i lavori ripetitivi e monotoni. Non lasciarsi andare ad un falso senso di sicurezza. Le lame non perdono mai.
20. Accertarsi che il blocco dell'albero sia rilasciato prima di accendere l'utensile.
21. Prima di usare l'utensile sul pezzo, lasciarlo girare per qualche momento. Controllare se ci sono vibrazioni od ondeggianti che potrebbero indicare una cattiva installazione o bilanciamento della lama.
22. Aspettare finché la lama ha raggiunto la velocità massima prima di cominciare il taglio.
23. L'utensile non deve essere usato per fare sfinestrature, incavi o scanalature.
24. Evitare di rimuovere i ritagli od altre parti del pezzo dall'area del taglio mentre l'utensile gira e la testa della sega non è in posizione di riposo.
25. Interrompere immediatamente l'operazione in corso se si nota qualcosa di anormale.
26. Spegnerne l'utensile e aspettare che la lama si fermi prima di rimuovere il pezzo o di cambiare le regolazioni.
27. Staccare l'utensile dalla presa di corrente prima di cambiare la lama, di una manutenzione o se non viene usato.
28. La polvere causata dal lavoro contiene sostanze chimiche che possono causare il cancro, difetti di nascita od altri danni all'apparato riproduttivo. Alcuni esempi di queste sostanze chimiche sono:
 - piombo dai materiali con vernici a base di piombo, e
 - arsenico e cromo dal legname trattato chimicamente.Il rischio da queste esposizioni varia, a seconda di quante volte si fa questo tipo di lavoro. Per ridurre l'esposizione a queste sostanze chimiche: lavorare in un ambiente ben ventilato e usando l'equipaggiamento di sicurezza appropriato, come le mascherine antipolvere progettate appositamente per non far penetrare le particelle microscopiche.

29. Collegare l'utensile a un dispositivo di raccolta della segatura durante il taglio.

Usando l'utensile nella modalità della sega circolare:

30. Usarlo esclusivamente per tagliare legno, alluminio e materiali simili.
31. Non eseguire operazioni a mano libera tagliando i pezzi in un'area vicina alla lama. Il pezzo deve essere fissato saldamente contro la base girevole e la guida pezzo durante tutte le operazioni.
32. Accertarsi che la base girevole sia fissata correttamente, in modo che non si muova durante l'operazione.
33. Accertarsi che il braccio sia fissato saldamente durante il taglio a unghia. Per fissare il braccio, stringere la leva in senso orario.
34. Accertarsi che la lama non faccia contatto con la base girevole nella posizione più bassa e, prima di schiacciare l'interruttore, che non faccia contatto con il pezzo.
35. Tenere saldamente il manico. Tener presente che la sega si muove leggermente su o giù durante l'avvio e l'arresto.
36. Sostituire il piano di taglio quando è usurato.

Usando l'utensile nella modalità di sega da tavolo (sega da banco):

37. Non eseguire alcuna operazione a mano libera. "A mano libera" significa usare le mani al posto della guida pezzo per supportare o guidare il pezzo.
38. Accertarsi che il braccio sia fissato saldamente in posizione di lavoro. Per fissare il braccio, stringere la leva in senso orario.
39. Usare un'asta o blocco di spinta per evitare di lavorare con le mani e le dita vicine alla lama.
40. Accertarsi che il tavolo della sega da banco sia fissato saldamente all'altezza scelta.
41. Accertarsi che la lama non faccia contatto con il coltello divisore o con il pezzo prima di schiacciare l'interruttore.
42. Mettere sempre via l'asta di spinta quando non viene usata.
43. Fare particolarmente attenzione alle istruzioni per ridurre il rischio di **CONTRACCOLPI**. I **CONTRACCOLPI** sono una reazione improvvisa a una lama stretta, bloccata o disallineata. I **CONTRACCOLPI** causano l'espulsione del pezzo dall'utensile verso l'operatore. I **CONTRACCOLPI POSSONO CAUSARE SERIE LESIONI PERSONALI**. Evitare i **CONTRACCOLPI** mantenendo la lama affilata, la guida pezzo parallela alla lama, il coltello divisore e la protezione lama in posizione e funzionanti correttamente, non rilasciando il pezzo finché non è stato spinto completamente oltre la lama e non tagliando diritto un pezzo storto, deformato o che non ha un bordo diritto per essere guidato lungo la guida.

44. Evitare l'alimentazione improvvisa e veloce del pezzo. Alimentarlo quanto più lentamente possibile tagliando i pezzi duri. Non inclinare o storcere il pezzo alimentandolo. Se la lama si impianta o inceppa nel pezzo, spegnere immediatamente l'utensile. Staccare l'utensile dalla presa di corrente. Correggere poi l'inceppamento.

CONSERVARE QUESTE ISTRUZIONI.

INSTALLAZIONE

ATTENZIONE:

- Tenere l'area del pavimento intorno all'utensile piana, ben mantenuta ed esente da materiali sciolti come trucioli e ritagli.

Installazione della piastra ausiliaria (Figg. 1 e 2)

Installare la piastra ausiliaria usando la tacca sulla base dell'utensile, e fissarla stringendo il bullone esagonale.

Montaggio su banco (Fig. 3)

Questo utensile deve essere fissato con due bulloni a una superficie piana e stabile usando i fori per bulloni che si trovano sulla sua base. Ciò aiuta a impedire che si rovesci e possibili lesioni.

DESCRIZIONE DELLE FUNZIONI

ATTENZIONE:

- Accertarsi sempre che l'utensile sia spento e staccato dalla presa di corrente prima di regolare o di controllare il suo funzionamento.

Protezione della lama (Figg. 4 e 5)

ATTENZIONE:

- Accertarsi che il manico non possa essere abbassato senza spingere a sinistra la leva vicina al manico.
- Accertarsi che le protezioni A e B inferiori lama non si aprano se la leva vicina al manico non viene spinta sulla posizione più alta del manico.

Quando si abbassa il manico spingendo la leva a sinistra, la protezione A inferiore lama si solleva automaticamente. La protezione B inferiore lama si solleva quando fa contatto con il pezzo. Le protezioni inferiori lama sono azionate da una molla, per cui tornano sulle loro posizione originali quando il taglio viene completato e si solleva il manico. La protezione superiore lama cade a piatto sulla superficie superiore dopo che il pezzo è passato sotto di essa. **MAI RENDERE INOPERATIVE O RIMUOVERE LE PROTEZIONI INFERIORI LAMA, LA MOLLA ATTACATA ALLE PROTEZIONI INFERIORI LAMA O LA PROTEZIONE SUPERIORE LAMA.**

Per la propria sicurezza, mantenere sempre ciascuna protezione lama in buone condizioni. Il funzionamento irregolare delle protezioni deve essere corretto immediatamente. Controllare l'azione di ritorno azionata dalla molla delle protezioni inferiori lama. **MAI USARE L'UTENSILE SE LE PROTEZIONI INFERIORI LAMA, LA MOLLA O LA PROTEZIONE SUPERIORE LAMA SONO DANNEGGIATE, DIFETTOSE O RIMOSSE. CIÒ È MOLTO PERICOLOSO E PUÒ CAUSARE SERIE LESIONI PERSONALI.**

Se una qualsiasi di queste protezioni lama trasparenti diventa sporca, oppure se la segatura vi rimane attaccata in modo che la lama non è più visibile, staccare l'utensile dalla presa di corrente e pulire accuratamente la protezione con un panno bagnato. Non usare solventi o pulitori a base di petrolio per pulire la protezione di plastica.

Se la protezione A inferiore lama è particolarmente sporca e impedisce la visione attraverso di essa, procedere come segue. Fissare il tavolo superiore in posizione completamente sollevata, sollevare completamente il manico, spingere dentro completamente il perno di fermo con il manico completamente sollevato e usare la chiave a bussola in dotazione per allentare il bullone esagonale che fissa il coperchio centrale. Allentare il bullone esagonale girandolo in senso antiorario e sollevare la protezione A inferiore lama e il coperchio centrale spingendo allo stesso tempo la leva a sinistra. Con la protezione A inferiore lama così posizionata, la pulizia può essere eseguita più completamente ed efficientemente. Al completamento della pulizia, invertire il procedimento e fissare il bullone.

Nello stesso caso della protezione superiore lama descritto sopra, allentare la vite che la fissa usando un cacciavite e rimuovere la protezione superiore lama. Dopo la pulizia, reinstallarla sempre in modo sicuro stringendo la vite in modo che la protezione superiore lama si muova scorrevolmente su o giù.

Se una qualsiasi di queste protezioni si scolora con il tempo o per l'esposizione ai raggi ultravioletti, rivolgersi al centro di assistenza Makita per una nuova protezione. **NON RENDERE INOPERABILI O RIMUOVERE LE PROTEZIONI.**

Per mantenere la capacità massima di taglio (Figg. 6 e 7)

Questo utensile è stato regolato in fabbrica in modo da provvedere la massima capacità di taglio per le lame di 260 mm.

Installando una nuova lama, controllare sempre la posizione del limite inferiore della lama e, se necessario, regolarla come segue:

ATTENZIONE:

- Per fare questa regolazione, posizionare il tavolo superiore sulla posizione più bassa dopo aver staccato l'utensile dalla presa di corrente.

Staccare per prima cosa l'utensile dalla presa di corrente. Posizionare il tavolo superiore sulla sua posizione più bassa. Abbassare completamente il manico. Usare la chiave a bussola per girare il bullone di regolazione, che si trova sotto nel foro più grande del tavolo superiore, finché la periferia della lama si estende leggermente sotto la superficie superiore della base girevole sul punto in cui la faccia frontale della guida pezzo incontra la superficie superiore della base girevole.

Con l'utensile staccato dalla presa di corrente, ruotare a mano la lama mantenendo allo stesso tempo il manico completamente abbassato, per accertarsi che la lama non faccia contatto con nessuna parte della base inferiore. Regolare di nuovo leggermente, se necessario.

ATTENZIONE:

- Dopo aver installato una nuova lama, accertarsi sempre che essa non faccia contatto con nessuna parte della base inferiore quando si abbassa completamente il manico. Fare sempre ciò con l'utensile staccato dalla presa di corrente.

Regolazione dell'angolo di taglio obliquo (Fig. 8)

Allentare l'impugnatura girandola in senso antiorario. Girare la base girevole premendo giù allo stesso tempo la leva di blocco. Dopo aver spostato l'impugnatura sulla posizione in cui l'indice indica l'angolo desiderato sulla squadra a 45°, stringere saldamente l'impugnatura girandola in senso orario.

ATTENZIONE:

- Girando la base girevole, sollevare completamente il manico.
- Dopo aver cambiato l'angolo di taglio obliquo, fissare sempre la base girevole stringendo saldamente l'impugnatura.

Regolazione dell'angolo di taglio a unghia (Figg. 9 e 10)

Per regolare l'angolo di taglio a unghia, allentare la leva sulla parte posteriore dell'utensile girandola in senso antiorario.

Spingere il manico a sinistra per inclinare la lama finché l'indice indica l'angolo desiderato sulla squadra falsa. Stringere poi saldamente la leva girandola in senso orario per fissare il braccio.

ATTENZIONE:

- Inclinando la lama, sollevare completamente il manico.
- Dopo aver cambiato l'angolo di taglio a unghia, fissare sempre il braccio stringendo la leva in senso orario.

Funzionamento dell'interruttore (Fig. 11)

ATTENZIONE:

- Prima di cominciare, accertarsi che l'utensile si accenda e spenga.

Per avviare l'utensile, premere l'interruttore ON (I). Per fermarlo, premere l'interruttore OFF (O).

Accensione della lampadina (Fig. 11 e 12)

Modello LH1040F soltanto

Per accendere la lampadina, spingere la parte superiore dell'interruttore, e la parte inferiore per spegnerla.

ATTENZIONE:

- Non guardare direttamente la luce della lampadina.

NOTA:

- Usare un panno asciutto per togliere lo sporco dalla lente della lampadina. Fare attenzione a non graffiare la lente, perché altrimenti l'illuminazione potrebbe ridursi.

Regolazione del livello tavolo superiore (Fig. 13)

Per regolare il livello del tavolo superiore, allentare le due leve girandole in senso antiorario e poi sollevare o abbassare il tavolo superiore. Stringere saldamente queste leve dopo la regolazione.

AVVERTIMENTO:

- Posizionare il tavolo superiore sulla posizione più alta quando si usa l'utensile nella modalità di sega circolare, e sulla posizione desiderata quando lo si usa nella modalità di sega da tavolo (sega da banco).

MONTAGGIO

ATTENZIONE:

- Accertarsi sempre che l'utensile sia spento e staccato dalla presa di corrente prima di qualsiasi intervento su di esso.

Installazione o rimozione della lama

ATTENZIONE:

- Accertarsi sempre che l'utensile sia spento e staccato dalla presa di corrente prima di installare o di rimuovere la lama.
- Per installare o rimuovere la lama, usare soltanto la chiave a bussola Makita in dotazione. In caso contrario, si potrebbe causare il serraggio eccessivo o insufficiente del bullone esagonale. Ciò può causare lesioni.

Fissare il tavolo superiore sulla sua posizione più alta. Bloccare il manico in posizione sollevata spingendo dentro il perno di fermo. (Fig. 14)

Per rimuovere la lama, allentare prima la vite di chiusura in modo che la protezione B inferiore lama sia abbassata come mostrato in figura. (Fig. 15)

Usare poi la chiave a bussola per allentare il bullone esagonale che fissa il coperchio centrale girandolo in senso antiorario. Sollevare la protezione A inferiore lama e il coperchio centrale spingendo allo stesso tempo a sinistra la leva vicina al manico. (Fig. 16)

Premere il blocco albero per bloccare il mandrino, e usare la chiave a bussola per allentare il bullone esagonale in senso orario. Rimuovere poi il bullone esagonale, la flangia esterna e la lama. (Fig. 17)

Per installare la lama, montarla con cura sul mandrino controllando che la direzione della freccia della lama sia rivolta nella stessa direzione della freccia sulla cassa della lama. Installare la flangia esterna e il bullone esagonale, e usare poi la chiave a bussola per stringere saldamente il bullone esagonale (sinistrorso) in senso antiorario premendo allo stesso tempo il blocco albero. (Figg. 18 e 19)

NOTA:

- Installando la lama, inserirla prima dall'esterno della protezione B lama e sollevarla poi in modo che la lama si trovi infine nella protezione B lama.

Modello per tutti i Paesi extraeuropei

ATTENZIONE:

- L'anello argenteo di 25,4 mm di diametro esterno è stato installato in fabbrica sul mandrino. L'anello nero di 25 mm di diametro è incluso come accessorio standard. Prima di montare la lama sul mandrino, accertarsi sempre che sul mandrino sia installato l'anello corretto per il foro dell'asse della lama che si intende usare. (Fig. 20)

Modello per l'Europa

ATTENZIONE:

- L'anello di 30 mm di diametro esterno è stato installato in fabbrica tra le flange interna ed esterna. (Fig. 20)

Rimettere la protezione A inferiore lama e il coperchio centrale sulle loro posizioni originali. Stringere poi il bullone esagonale in senso orario per fissare il coperchio centrale. Sollevare al massimo la protezione B lama e stringere saldamente la vite di chiusura mantenendola sulla posizione sollevata. Abbassare il manico per accertarsi che le protezioni inferiori lama si muovano correttamente. Accertarsi che il blocco albero abbia rilasciato il mandrino prima di fare un taglio.

Regolazione del coltello divisore

Prima di regolare il coltello divisore, allentare le due leve girandole in senso antiorario e premere il tavolo superiore sul lato destro vicino al coltello divisore nella sua posizione abbassata. Fissare poi il tavolo superiore stringendo di nuovo saldamente le due leve come mostrato in figura. (Fig. 21)

Tra il coltello divisore e i denti della lama ci deve essere un gioco di 4 – 5 mm. Regolare di conseguenza il coltello divisore allentando due bulloni esagonali in senso antiorario con la chiave a bussola e misurando la distanza. Stringere saldamente i bulloni esagonali e controllare poi che la protezione superiore lama funzioni scorrevolmente prima di fare un taglio. (Fig. 22)

Il coltello divisore è stato installato prima della spedizione dalla fabbrica in modo che la lama e il coltello siano in linea retta. (Fig. 23)

ATTENZIONE:

- Se la lama e il coltello divisore non sono allineati correttamente, durante il lavoro si potrebbe verificare una pericolosa condizione di serraggio. Accertarsi che siano allineati correttamente. Se si usa l'utensile con il coltello divisore non allineato correttamente, c'è pericolo di lesioni serie. Se per un qualche motivo non sono allineati, far riparare da un centro di assistenza Makita autorizzato.

Installazione e regolazione della guida pezzo

1. Installare la guida pezzo sul tavolo in modo che il supporto guida pezzo entri nella rotaia guida. Stringere saldamente in senso orario la vite di chiusura (B) della guida pezzo.
2. Allentare la vite di chiusura (A).
3. Spingere la guida pezzo e fissarla in modo che l'estremità lontana da sé della guida pezzo sia allineata con il punto in cui il bordo anteriore della lama appare dalla superficie superiore del pezzo. Lo scopo di questa regolazione è di ridurre il rischio di contraccolpi verso l'operatore che una parte del pezzo tagliato venga stretta tra la lama e la guida pezzo e infine spinta fuori verso l'operatore. La linea 3 varia con lo spessore del pezzo o il livello del tavolo. Regolare la posizione della guida pezzo secondo lo spessore del pezzo.

Dopo la regolazione della guida pezzo, stringere saldamente la vite di chiusura (A). (Figg. 24 e 25)

NOTA:

- Ci sono quattro modi di posizionare la guida pezzo, come mostrato in figura. (Fig. 26) La guida pezzo ha due fessure sui suoi lati, una con un orlo rialzato vicino sullo stesso lato, e l'altra senza. Usare la superficie della guida pezzo con questo orlo rivolto verso il pezzo soltanto per tagliare una parte di un pezzo sottile.
- Per cambiare la forma della guida pezzo, toglierla dal suo supporto allentando la vite di chiusura (A) e cambiare come la guida pezzo è rivolta verso il suo supporto in modo che sia rivolta verso di esso secondo il lavoro, come mostrato in figura. Inserire il dado quadrato del supporto guida pezzo nell'estremità posteriore di una delle fessure della guida pezzo in modo che entri come mostrato in figura.

Per cambiare dal modo A o B al modo C o D, o viceversa, rimuovere il dado quadrato, la rondella e la vite di chiusura (A) dal supporto guida pezzo e posizionare poi la vite di chiusura (A), la rondella e il dado quadrato sulla posizione opposta del supporto guida pezzo rispetto alla posizione originale. Stringere saldamente la vite di chiusura (A) dopo aver inserito il dado quadrato del supporto guida pezzo nella fessura della guida pezzo. Inserire il dado quadrato del supporto guida pezzo nell'estremità posteriore di una delle fessure della guida pezzo in modo che combacino come mostrato in figura. **(Fig. 27)**

La guida pezzo è regolata in fabbrica in modo da essere parallela alla superficie della lama. Accertarsi che sia parallela. Per controllare che sia parallela, abbassare il tavolo sulla sua posizione più bassa in modo che la lama appaia sulla posizione più alta dal tavolo. Fare un segno su un dente della lama con una matita. Misurare la distanza (A) e (B) tra la guida pezzo e la lama. Fare entrambe le misurazioni usando il dente segnato con la matita. **(Fig. 28)** Queste due misurazioni devono essere identiche. Se la guida pezzo non è parallela alla lama, procedere come segue: **(Fig. 29)**

1. Girare le due viti di regolazione in senso antiorario.
2. Spostare il bordo posteriore della guida pezzo leggermente a destra o a sinistra finché diventa parallelo alla lama.
3. Stringere saldamente le due viti sulla guida pezzo.

ATTENZIONE:

- Regolare la guida pezzo in modo che sia parallela alla lama, perché altrimenti si potrebbe creare una pericolosa condizione di contraccolpo.
- Regolare la guida pezzo in modo che non faccia contatto con la guida superiore lama o con la lama. **(Fig. 30)**

Sacchetto segatura

L'impiego del sacchetto segatura rende pulite le operazioni di taglio e facilita la raccolta della segatura. Per attaccare il sacchetto segatura, montarlo sul bocchettone segatura. **(Fig. 31)**

NOTA:

- Nella modalità di sega circolare, inserire sempre il sacchetto segatura soltanto sul bocchettone posteriore.

Quando il sacchetto segatura è quasi pieno a metà, rimuoverlo dall'utensile e tirar fuori la chiusura. Svuotare il sacchetto segatura dandogli dei leggeri colpetti, in modo da rimuovere le particelle attaccate all'interno che potrebbero ostacolare la raccolta ulteriore della segatura. **(Fig. 32)**

Collegando un aspiratore alla sega, si possono eseguire operazioni di taglio più efficienti e pulite.

Per installare il coperchio lama usando l'utensile nella modalità di sega da tavolo (sega da banco), girare la base girevole all'angolo di taglio obliquo di 0° (vedere la sezione "Regolazione dell'angolo obliquo") e mettere il coperchio lama sul tavolo girevole in modo che il coperchio lama sia centrato sopra la fessura d'ingresso della lama nel lama girevole, e bloccare poi il manico nella posizione più bassa spingendo completamente il perno di fermo come mostrato in figura. **(Fig. 33)**

NOTA:

- Per attaccare il sacchetto segatura al bocchettone segatura anteriore nella modalità di sega da tavolo (sega da banco), rimuovere prima il tappo dal bocchettone segatura anteriore e attaccare il sacchetto segatura al bocchettone segatura.
- Quando non si usa il sacchetto segatura, rimettere a posto il tappo sul bocchettone segatura anteriore. In caso contrario, dal bocchettone viene espulsa la segatura.
- Usando l'utensile nella modalità di sega da tavolo (sega da banco), accertarsi che il coperchio lama sia installato sul tavolo girevole.

Modo di fissare il pezzo

Ogni volta che ciò è possibile, fissare il pezzo con la morsa opzionale. Se si deve tenere il pezzo con la mano, farlo con fermezza tenendolo saldamente in modo da non perderne il controllo. La mano e il braccio devono essere tenuti lontani dall'area della lama (100 mm come minimo). Schiacciare fermamente il pezzo contro la guida pezzo, con le dita tenute sopra la parte superiore della guida pezzo. Il pezzo deve anche essere appoggiato saldamente alla base girevole.

AVVERTIMENTO:

- Mai usare la mano per tenere un pezzo che richiede che la mano sia più vicina di 100 mm all'area della lama. In tal caso, usare sempre la morsa opzionale per fissare il pezzo. Dopo l'operazione di taglio, sollevare delicatamente la lama. Mai alzare la lama finché non si è fermata completamente. C'è pericolo di lesioni serie.

ATTENZIONE:

- Per tagliare pezzi lunghi, usare sostegni alti quanto il livello della superficie superiore della base girevole. Per fissare il pezzo, non fare affidamento soltanto sulla morsa verticale e/o sulla morsa orizzontale (entrambe opzionali). **(Fig. 34)**

I materiali sottili tendono a incurvarsi al centro. Sopportare il pezzo sull'intera sua lunghezza, per evitare che la lama resti incastrata e possibili CONTRACCOLPI.

Morsa verticale (accessorio opzionale) (Fig. 35)

La morsa verticale può essere installata in due posizioni, sul lato destro o sinistro della guida pezzo o sul gruppo supporto (accessorio opzionale). Inserire l'asta morsa nel foro della guida pezzo o del gruppo supporto, e stringere la vite per fissare la barra morsa.

Posizionare il braccio morsa secondo lo spessore e la forma del pezzo, e fissare il braccio morsa stringendo la vite. Se la vite per fissare il braccio morsa fa contatto con la guida pezzo, installare la vite sul lato opposto del braccio morsa. Accertarsi che nessuna parte dell'utensile faccia contatto con la morsa quando si abbassa completamente il manico. Se una qualche parte fa contatto con la morsa, riposizionare la morsa.

Premere il pezzo piatto contro la guida pezzo e la base girevole. Posizionare il pezzo sulla posizione di taglio desiderata e fissarlo saldamente stringendo la manopola morsa.

ATTENZIONE:

- Il pezzo deve essere fissato saldamente contro la base girevole e la guida pezzo.

Morsa orizzontale (accessorio opzionale) (Fig. 36)

La morsa orizzontale può essere installata su entrambi i lati destro o sinistro della base. Per eseguire i tagli obliqui di 15° o maggiori, installare la morsa orizzontale sul lato opposto alla direzione in cui va girata la base girevole. Girando la manopola morsa in senso antiorario si rilascia la vite e l'albero morsa può essere spostato rapidamente dentro o fuori. Quando si gira la manopola morsa in senso orario, la vite rimane fissata. Per stringere il pezzo, girare delicatamente la manopola morsa in senso orario finché la sporgenza raggiunge la sua posizione più alta, e stringere poi saldamente. Se si forza dentro la manopola morsa o la si tira fuori mentre viene girata in senso orario, la sporgenza potrebbe arrestarsi inclinata. In tal caso, girare la manopola morsa indietro in senso antiorario finché la vite viene rilasciata prima di girarla di nuovo delicatamente in senso orario.

La larghezza massima del pezzo che può essere fissato con la morsa orizzontale è di 130 mm.

Supporti e gruppo supporti (accessori opzionali)

I supporti e il gruppo supporti possono essere installati su entrambi i lati, come comodo modo di supportare orizzontalmente i pezzi. Installarli come mostrato in figura. Stringere poi saldamente le viti per fissare i supporti e il gruppo supporti. (Fig. 37)

Per tagliare i pezzi lunghi, usare il gruppo supporti-barre (accessorio opzionale). Esso consiste di due gruppi supporti e di due barre 12. (Fig. 38)

ATTENZIONE:

- Supportare sempre i pezzi lunghi a livello della superficie della base girevole, per dei tagli accurati e per evitare pericolose perdite di controllo dell'utensile.

UTILIZZO DELL'UTENSILE

ATTENZIONE:

- Prima dell'uso, rilasciare il manico dalla posizione abbassata tirando il perno di fermo.
- Accertarsi che la lama non faccia contatto con il pezzo, ecc., prima di accendere l'utensile.

TAGLIO NELLA MODALITÀ DI SEGA CIRCOLARE

AVVERTIMENTO:

- Usando l'utensile nella modalità di sega circolare, fissare il tavolo superiore sulla sua posizione più alta in modo che la lama non sporga mai dalla superficie superiore del tavolo superiore.

ATTENZIONE:

- Non esercitare una pressione eccessiva sul manico durante il taglio. La forza eccessiva può causare il sovraccarico del motore e/o una diminuzione dell'efficienza di taglio. Spingere giù il manico soltanto con la forza necessaria per un taglio scorrevole senza notevole riduzione della velocità della lama.
- Premere giù delicatamente il manico per eseguire il taglio. Se si preme giù con forza il manico o si applica una pressione laterale, la lama vibra lasciando un segno sul pezzo (segno della lama), e la precisione del taglio viene compromessa.

1. Taglio con pressione (Fig. 39)

Fissare il pezzo contro la guida pezzo e la base girevole. Accendere l'utensile senza che la lama faccia contatto con il pezzo, e aspettare finché raggiunge la velocità massima prima di abbassarla. Abbassare poi delicatamente il manico sulla posizione completamente abbassata per tagliare il pezzo. Al completamento del taglio, spegnere l'utensile e ASPETTARE CHE LA LAMA SI SIA COMPLETAMENTE ARRESTATO prima di rimetterla sulla sua posizione di elevazione massima.

2. Taglio obliquo

Riferirsi alla sezione "Regolazione dell'angolo di taglio obliquo" più indietro nel testo.

3. Taglio a unghia (Fig. 40)

Allentare la leva e inclinare la lama per regolare l'angolo di taglio a unghia. (Riferirsi alla sezione "Regolazione dell'angolo di taglio a unghia" più indietro nel testo.) Stringere di nuovo saldamente la leva per fissare l'angolo di taglio a unghia selezionato. Fissare il pezzo contro la guida pezzo e la base girevole. Accertarsi che il carrello sia tirato completamente indietro verso di sé. Accendere l'utensile senza che la lama faccia contatto con il pezzo, e aspettare finché raggiunge la velocità massima. Abbassare poi delicatamente il manico sulla posizione completamente abbassata esercitando una pressione parallelamente alla lama. Al completamento del taglio spegnere l'utensile e ASPETTARE CHE LA LAMA SI SIA FERMATA COMPLETAMENTE prima di rimetterla sulla sua posizione di elevazione massima.

ATTENZIONE:

- Accertarsi sempre che la lama si muova giù nella direzione dell'angolo di taglio a unghia durante il taglio a unghia. Tenere le mani fuori del percorso della lama.
- Durante un taglio a unghia, si potrebbe verificare una situazione in cui il pezzo tagliato viene ad appoggiarsi al fianco della lama. Se si solleva la lama mentre sta girando, il pezzo potrebbe rimanere attaccato alla lama causando una pericolosa espulsione di frammenti. La lama deve essere sollevata SOLTANTO dopo che si è fermata completamente.
- Premendo giù il manico, esercitare una pressione parallelamente alla lama. Se la pressione non è parallela alla lama durante il taglio, l'angolo della lama potrebbe spostarsi compromettendo la precisione del taglio.

4. Taglio composito

Il taglio composito è il processo in cui sul pezzo viene fatto un taglio a unghia contemporaneamente a un taglio obliquo. Il taglio composito può essere eseguito all'angolo mostrato nella tabella.

Angolo di taglio a unghia	Angolo di taglio obliquo
45°	Destro e Sinistro 0° – 45°

Per l'esecuzione del taglio composito, riferirsi alle altre sezioni "Taglio con pressione", "Taglio obliquo" e "Taglio a unghia".

5. Taglio delle estrusioni di alluminio (Fig. 41)

Per fissare le estrusioni di alluminio, usare blocchi distanziatori o pezzi di scarto, come mostrato nella illustrazione, per impedire la deformazione dell'alluminio. Per tagliare le estrusioni di alluminio, usare un lubrificante di taglio per evitare l'accumularsi dei trucioli di alluminio sulla lama.

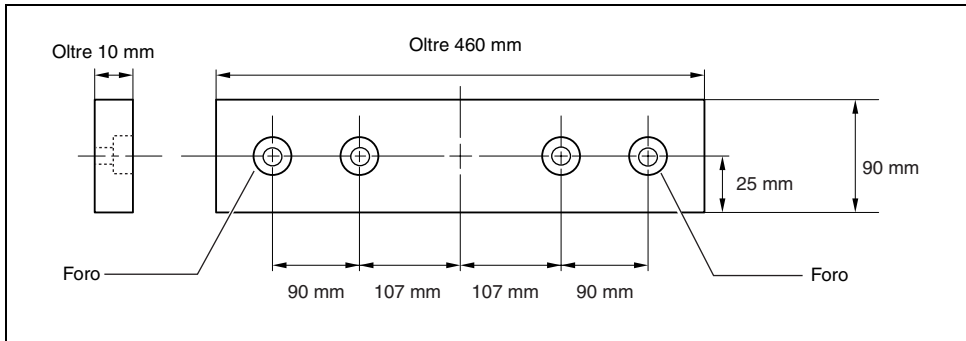
ATTENZIONE:

- Mai cercare di tagliare estrusioni di alluminio spesse o rotonde. Le estrusioni di alluminio spesse possono staccarsi durante il taglio, e quelle rotonde non possono essere fissate saldamente con questo utensile.
- Non si deve mai tagliare l'alluminio nella modalità di sega da tavolo (sega da banco).

6. Spessore di legno

L'impiego di uno spessore di legno assicura il taglio senza schegge del pezzo. Attaccare lo spessore di legno alla guida pezzo usando i fori della guida pezzo.

Per lo spessore di legno consigliato, riferirsi alla tabella delle dimensioni.



ATTENZIONE:

- Come spessore di legno, usare un legno dritto di spessore uniforme.
- Usare viti per attaccare lo spessore di legno alla guida pezzo. Le viti devono essere installate in modo che le teste delle viti siano sotto la superficie dello spessore di legno.
- Quando si attacca lo spessore di legno, non girare la base girevole con il manico abbassato. La lama e/o lo spessore di legno vengono danneggiati.

7. Tagli ripetuti della stessa lunghezza (Fig. 42)

Per tagliare diversi pezzi della stessa lunghezza dai 240 mm ai 400 mm, l'impiego della piastra di regolazione rende il lavoro più efficiente. Installare la piastra di regolazione sul supporto come mostrato nella illustrazione.

Allineare la linea di taglio sul pezzo con il lato destro o sinistro della scanalatura sul piano di taglio e, tenendo fermo il pezzo in modo che non si muova, spostare la piastra di regolazione a raso contro l'estremità del pezzo. Fissare poi la piastra di regolazione con la vite. Quando non si usa la piastra di regolazione, allentare la vite e spostarla in modo che non interferisca con il lavoro.

NOTA:

- L'impiego del gruppo supporti-barre (accessorio opzionale) permette di fare tagli ripetuti della stessa lunghezza di un massimo di 2.200 mm circa.

TAGLIO NELLA MODALITÀ DI SEGA DA TAVOLO (SEGA DA BANCO)

ATTENZIONE:

- Per usare l'utensile nella modalità di sega da tavolo (sega da banco), mettere il coperchio lama sul tavolo girevole in modo che il coperchio sia centrato sopra la fessura d'ingresso della lama nel tavolo girevole e che le due piccole bozze sul disotto del coperchio lama entrino nella fessura semicircolare nella periferia del tavolo girevole, come mostrato nella figura, e bloccare poi il manico nella posizione più bassa spingendo completamente dentro il perno di fermo. (Fig. 43)
- Usare sempre dei "mezzi di aiuto", come aste o blocchi di spinta se c'è pericolo che le mani o le dita vengano a trovarsi vicino alla lama.
- MAI ritirare il pezzo mentre la lama gira. Se bisogna ritirare il pezzo prima del completamento del taglio, spegnere prima l'utensile tenendo saldamente il pezzo. Aspettare finché la lama si è fermata completamente prima di ritirare il pezzo. In caso contrario, ciò potrebbe causare pericolosi contraccolpi.
- MAI rimuovere materiale tagliato mentre la lama gira.
- MAI mettere le mani o le dita nel percorso della lama.
- Fissare sempre saldamente la guida pezzo, o si potrebbero verificare pericolosi contraccolpi.

Mezzi di aiuto

Le aste e i blocchi di spinta e la guida ausiliaria sono alcuni tipi di "mezzi di aiuto". Usarli per dei tagli sicuri in modo che non ci sia nessun bisogno che qualche parte del corpo faccia contatto con la lama.

Blocco di spinta (Fig. 44)

Usare un pezzo di compensato di 15 mm.

Il manico deve essere al centro del pezzo di compensato. Fissare con colla e viti per legno, come mostrato. I piccoli pezzi di legno di 10 mm x 9 mm x 30 mm devono sempre essere incollati al compensato per evitare che la lama perda il filo se si taglia per sbaglio il blocco di spinta. (Mai usare chiodi nel blocco di spinta.)

Guida ausiliaria (Figg. 45 e 46)

Fare una guida ausiliaria con pezzi di compensato dai 10 mm ai 15 mm.

Rimuovere la guida pezzo, vite di chiusura (A), rondella piatta e dado quadrato dal supporto guida pezzo, e attaccare poi e fissare la guida ausiliaria al supporto guida pezzo usando un bullone M6 più lungo di M6 x 50, rondelle e dado.

Taglio dritto

ATTENZIONE:

• Per tagliare pezzi lunghi o grandi, provvedere sempre un sostegno adeguato dietro il tavolo. Le lunghe tavole NON devono muoversi o spostarsi sul tavolo. Ciò fa sì che la lama si incolini e aumenta la possibilità di contraccolpi e di lesioni personali. Il sostegno deve essere alla stessa altezza del tavolo.

1. Regolare una profondità di taglio appena più alta dello spessore del pezzo. Per fare questa regolazione, allentare due leve e abbassare o sollevare il tavolo superiore.
2. Posizionare la guida pezzo alla larghezza desiderata di taglio, e fissare in posizione stringendo la vite di chiusura (A). Prima del taglio, accertarsi che le due viti del supporto guida pezzo siano strette. Se non lo sono sufficientemente, stringerle di nuovo.
3. Accendere l'utensile e alimentare delicatamente il pezzo nella lama lungo la guida pezzo.
 - (1) Se la larghezza di taglio è di 40 mm o maggiore, usare un'asta di spinta. (Fig. 47)
 - (2) Se la larghezza di taglio è più stretta di 40 mm, non si può usare l'asta di spinta perché essa incontra la protezione superiore lama. Usare la guida ausiliaria e il blocco di spinta. Installare saldamente la guida ausiliaria che è fissata al supporto guida pezzo sul tavolo. Alimentare il pezzo a mano finché la fine è a circa 25 mm dal bordo anteriore del tavolo superiore. Continuare ad alimentare usando il blocco di spinta in cima alla guida ausiliaria fino al completamento del taglio. (Fig. 48)

Trasporto dell'utensile

Accertarsi che l'utensile sia staccato dalla presa di corrente. Fissare la lama all'angolo di taglio a unghia di 0° e la base girevole completamente all'angolo di taglio obliquo a sinistra. Abbassare completamente il manico e bloccarlo nella posizione abbassata spingendo completamente dentro il perno di fermo. (Fig. 49)

Trasportare l'utensile tenendo entrambi i lati della base, come mostrato nella illustrazione. Rimuovendo i supporti, il sacchetto segatura, ecc., l'utensile può essere trasportato più facilmente. (Fig. 50)

ATTENZIONE:

• Fissare sempre le parti mobili prima di trasportare l'utensile.

MANUTENZIONE

ATTENZIONE:

• Accertarsi sempre che l'utensile sia spento e staccato dalla presa di corrente prima di eseguire l'ispezione o la manutenzione.

AVVERTIMENTO:

• Per ottenere le prestazioni migliori e più sicure, accertarsi sempre che la lama sia affilata e pulita.

Regolazione dell'angolo di taglio

Questo utensile è stato regolato e allineato con cura in fabbrica, ma se è stato trattato male, potrebbe essersi disallineato. Se non è allineato correttamente, procedere come segue:

1. Angolo di taglio obliquo

Allentare l'impugnatura che fissa la base girevole. Girare la base girevole in modo che l'indice indichi 0° sulla squadra a 45°. Stringere l'impugnatura e allentare i bulloni esagonali che fissano la guida pezzo usando la chiave a bussola. (Fig. 51)

Abbassare completamente il manico e bloccarlo nella posizione abbassata spingendo dentro il perno di fermo. Squadrare il fianco della lama con la faccia della guida pezzo usando un righello triangolare, squadra di riscontro, ecc. Stringere poi saldamente in successione dal lato destro i bulloni esagonali sulla guida pezzo. (Fig. 52)

2. Angolo di taglio a unghia

(1) Angolo di taglio a unghia 0°

Abbassare completamente il manico e bloccarlo nella posizione abbassata spingendo dentro il perno di fermo. Allentare la leva sulla parte posteriore dell'utensile. Girare il bullone di regolazione angolo taglio a unghia 0° sul lato destro della base girevole di due o tre giri in senso orario per inclinare la lama a destra. (Fig. 53)

Squadrare con cura il fianco della lama con la superficie superiore della base girevole usando il righello triangolare, squadra di riscontro, ecc., girando il bullone di regolazione angolo taglio a unghia 0° in senso antiorario. (Fig. 54)

Accertarsi che l'indice sulla base girevole indichi 0° sulla squadra falsa sul braccio. Se non indica 0°, allentare la vite che fissa l'indice e regolarlo in modo che indichi 0°. (Fig. 55)

(2) Angolo di taglio a unghia 45°

Regolare l'angolo di taglio a unghia di 45° soltanto dopo aver eseguito la regolazione dell'angolo di taglio a unghia di 0°. Per regolare l'angolo di taglio a unghia di 45° sinistro, allentare la leva e inclinare completamente la lama a sinistra. Accertarsi che l'indice sul braccio indichi 45° sulla squadra falsa sul braccio. Se l'indice non indica 45°, girare il bullone di regolazione angolo taglio a unghia 45° sul lato sinistro del braccio finché indica 45°. (Fig. 56)

Sostituzione delle spazzole di carbone

(Figg. 57 e 58)

Rimuovere e ispezionare regolarmente le spazzole di carbone. Sostituirle quando sono consumate fino al limite di usura. Mantenere pulite le spazzole di carbone, che devono potersi muovere liberamente nel portaspazzole. Le spazzole di carbone vanno sostituite entrambe allo stesso tempo. Usare soltanto spazzole di carbone identiche.

Per rimuovere le toppe portaspazzole, usare un cacciavite. Togliere le spazzole usurate, inserire le nuove e fissare i tappi del portaspazzole.

Dopo l'uso

- Dopo l'uso, togliere i trucioli e la segatura attaccati all'utensile con un panno o uno straccio. Mantenere pulita la protezione della lama facendo riferimento alle spiegazioni di "Protezione della lama". Oliare le parti mobili con un lubrificante antiruggine.

Per preservare la SICUREZZA e l'AFFIDABILITÀ del prodotto, le riparazioni e qualsiasi altro intervento di manutenzione e di regolazione devono essere eseguiti da un centro di assistenza Makita usando ricambi Makita.

ACCESSORI

ATTENZIONE:

- In questo manuale si consiglia di usare questi accessori o ricambi Makita. L'impiego di altri accessori o ricambi potrebbe costituire un pericolo di lesioni. Usare esclusivamente gli accessori o ricambi per il loro scopo specificato.

Per maggiori dettagli riguardo a questi accessori, rivolgersi a un centro di assistenza Makita.

- Lame con filo d'acciaio o al carburo
- Piastra ausiliaria
- Gruppo morsa (morsa orizzontale)
- Morsa verticale
- Chiave a bussola 13
- Set supporti
- Gruppo supporti
- Gruppo barre supporti
- Piastra di regolazione
- Sacchetto segatura
- Righello triangolare
- Coperchio lama (Protezione lama C)
- Asta di spinta
- Gruppo righello (guida pezzo)


Verklaring van algemene gegevens

1 Hulpplaat	32 Zaagbladkast	63 Houdermontage
2 Zeskante bout	33 Pijltje	64 Spanschroefknop
3 Voet	34 Buitenflens	65 Uitsteeksel
4 Moer	35 Binnenflens	66 Spanschroefas
5 Bout	36 As	67 Stang 12
6 Onderste beschermkap A	37 Ring	68 Spanschroef (los verkrijgbaar accessoire)
7 Onderste beschermkap B	38 Spouwmes	69 Vulblok
8 Bovenste beschermkap	39 Hier drukken	70 Aluminium werkstuk
9 Schroef	40 Breedte zaagblad	71 Stelplaat
10 Handvat	41 Trekgeleiderhouder	72 Kleine verdikking
11 Hendel	42 Geleiderail op de boventafel	73 Voorvlak/rand evenwijdig
12 Dopsleutel	43 Klemschroef (A)	74 Houtschroef
13 Stelbout	44 Klemschroef (B)	75 Aaneen lijmen
14 Bovenvlak van draaitafel	45 Trekgeleider	76 Gat (7 mm diameter)
15 Omtrek van zaagblad	46 Trekgeleiderhouder	77 Onderlegplaatje
16 Geleider	47 Werkstuk	78 Moer
17 Wijzer	48 Lijn voor uitlijning	79 Bout M6
18 Vergrendelnok	49 Vierkante moer	80 Drukstok
19 Handgreep	50 Schaalverdeling	81 Hulpgeleider
20 Verstekschaal	51 Twee schroeven	82 Drukblok
21 Schuine-hoek schaal	52 Stofuitlaat	83 Driehoekslineaal
22 Schakelaar	53 Stofzak	84 Stelbout voor 0°
23 Lampschakelaar	54 Sluitstrip	85 Arm
24 Lampjes	55 Dop	86 Stelbout voor 45° schuine hoek
25 Aanslagpen	56 Stofzuiger	87 Limietmarkering
26 Klemschroef	57 Zaagbladdeksel	88 Schroevendraaier
27 Boventafel	58 Steun	89 Borstelhouderdop
28 Motorhuis	59 Draaitafel	
29 Middenkap	60 Spanschroefarm	
30 Asblokkering	61 Spanschroefstang	
31 Zaagblad	62 Houder	

TECHNISCHE GEGEVENS

Model	LH1040/LH1040F
Diameter zaagblad	255 mm – 260 mm
Diameter zaagbladgat	
Voor alle niet-Europese landen	25,4 mm en 25 mm
Voor alle Europese landen	30 mm
Max. zaagcapaciteiten (H x B) met 260 mm diameter zaagblad in de verstekzaagmodus	

Schuine hoek	Verstekhoek	
	0°	45°
0°	69 mm x 130 mm 93 mm x 95 mm	rechts 69 mm x 85 mm, 93 mm x 67 mm links 69 mm x 85 mm, 93 mm x 67 mm
45° (links)	35 mm x 130 mm 53 mm x 95 mm	rechts 35 mm x 91 mm, 49 mm x 67 mm links 35 mm x 65 mm, 49 mm x 42 mm

Max. zaagcapaciteiten bij 90° in de tafelzaagmodus (afkortzaagmodus)	40 mm
Toerental onbelast (min ⁻¹)	4 800
Afmetingen tafel (B x L)	260 mm x 405 mm
Afmetingen (L x B x H)	530 mm x 476 mm x 535 mm
Netto gewicht	13,7 kg
Veiligheidsklasse	 /II

- In verband met ononderbroken research en ontwikkeling behouden wij ons het recht voor bovenstaande technische gegevens te wijzigen zonder voorafgaande kennisgeving.
- Opmerking: De technische gegevens kunnen van land tot land verschillen.

Doeleinden van gebruik

Dit gereedschap is bedoeld voor nauwkeurig recht zagen en verstekzagen in hout (alleen wanneer gebruikt als een verstekzaag op de onderste tafel).

Stroomvoorziening

Het gereedschap mag alleen worden aangesloten op een stroombron van hetzelfde voltage als aangegeven op de naamplaat, en kan alleen op enkel-fase wisselstroom worden gebruikt. Het gereedschap is dubbel-geïsoleerd volgens de Europese standaard en kan derhalve ook op een niet-geaard stopcontact worden gebruikt.

Veiligheidswenken

Voor uw veiligheid dient u de bijgevoegde Veiligheidsvoorschriften nauwkeurig op te volgen.

AANVULLENDE VEILIGHEIDSVoORSCHRIFTEN VOOR HET GEREEDSCHAP

Voor zowel de verstekzaagmodus als de tafelzaag (afkortzaag) modus:

1. Draag oog- en oorbescherming. Andere geschikte, persoonlijke veiligheidsuitrusting dient ook te worden gedragen.
2. Draag NOOIT handschoenen tijdens het gebruik, behalve bij het vervangen van het zaagblad of het hanteren van ruw materiaal vóór het gebruik.
3. Zorg dat de vloer in de omgeving van de zaag effen is en vrij van obstakels zoals spanen en stukjes afgezaagd hout.
4. Gebruik de zaag niet zonder dat de beschermkappen en het spouwmes zijn aangebracht. Controleer vóór elk gebruik of de beschermkappen goed sluiten. Gebruik de zaag niet indien de beschermkappen niet goed bewegen en niet snel over het zaagblad sluiten. Klem of bind de beschermkappen nooit in de geopende stand vast. Elke onregelmatige werking van de beschermkappen dient onmiddellijk te worden verbeterd.
5. Bij het vervangen van het zaagblad, dient u de as, de flenzen (vooral hun montagevlak) en de zeskante bout te reinigen. Pas daarbij goed op dat u deze onderdelen niet beschadigt, aangezien dit kan leiden tot zaagbladbreuk. Slechte montage kan trilling/slingering of slippen van het zaagblad veroorzaken. Gebruik alleen flenzen die voor dit gereedschap zijn bestemd.
6. Controleer vóór het gebruik het zaagblad zorgvuldig op barsten of beschadiging. Gebruik nooit beschadigde of vervormde zaagbladen.
7. Gebruik uitsluitend zaagbladen die door de fabrikant worden aanbevolen en voldoen aan EN847-1. Het spouwmes mag niet dikker zijn dan de breedte van de zaagbladsnede en niet dunner dan het lichaam van het zaagblad.
8. Gebruik uitsluitend de accessoires die in deze gebruiksaanwijzing worden aanbevolen. Het gebruik van ongeschikte accessoires, zoals doorslijpschijven, kan verwondingen tot gevolg hebben.
9. Selecteer het juiste zaagblad in overeenstemming met het te zagen materiaal.
10. Gebruik geen zaagbladen die gemaakt zijn van sneldraaistaal.

11. Houd het zaagblad scherp en schoon om het zaaglawaaï te beperken.
12. Gebruik goed gescherpte zaagbladen. Neem de maximale draaisnelheid, aangegeven op het zaagblad, in acht.
13. Zaag niet op metaal zoals spijkers en schroeven. Inspecteer het werkstuk vóór het gebruik en verwijder alle spijkers, schroeven en andere obstakels.
14. Sla alle losse knopen uit het werkstuk VOORDAT u begint te zagen.
15. Gebruik het gereedschap niet in de nabijheid van ontvlambare vloeistoffen of gassen.
16. Verwijder voor uw eigen veiligheid zaagafval, stukjes hout e.d. uit de werkomgeving en van de werktafel voordat u het gereedschap op een stopcontact aansluit en begint te zagen.
17. De gebruiker dient goed vertrouwd te zijn met het gebruik, de afstelling en de werking van het gereedschap.
18. Houd uw handen uit de buurt van het zaagblad. Zorg dat u of andere omstanders niet vlak in het zaagbladpad staan. Raak het freewheelende zaagblad niet aan, aangezien dit nog ernstige verwonding kan veroorzaken, en reik uw lichaam nooit dicht bij het zaagblad.
19. Laat uw aandacht nooit verslappen, vooral niet wanneer het werk saai is en uit herhalingen bestaat. Laat u niet door een vals gevoel van veiligheid misleiden, aangezien zaagbladen altijd uiterst gevaarlijk zijn.
20. Zet de asblokkering in de vrije stand alvorens de trekschakelaar in te drukken.
21. Laat het gereedschap een tijdje draaien alvorens het op het werkstuk te gebruiken. Controleer op trilling of slingering die op onjuiste installatie of een slecht gebalanceerd zaagblad kunnen wijzen.
22. Wacht totdat het zaagblad met volle snelheid draait, alvorens het werkstuk te zagen.
23. Het gereedschap mag niet worden gebruikt voor het zagen van gleuven, sponningen of groeven.
24. Probeer niet om afgezaagde stukken of andere delen van het werkstuk uit de zaagomgeving te verwijderen terwijl het gereedschap nog draait en de zaagkop nog niet naar zijn rustpositie is gebracht.
25. Stop onmiddellijk met zagen wanneer u iets abnormaals waarneemt.
26. Schakel het gereedschap uit en wacht totdat het zaagblad tot stilstand is gekomen alvorens het werkstuk te verwijderen of instellingen te wijzigen.
27. Haal de stekker uit het stopcontact wanneer u het zaagblad wilt vervangen, onderhoud wilt voeren, of het gereedschap niet gebruikt.

28. Het zaagstof van bepaalde materialen bevat chemicaliën die kanker, geboortefwijkingen of andere voortplantingsdefecten kunnen veroorzaken. Enkele voorbeelden van dergelijke chemicaliën zijn:
- lood in loodhoudende verfmaterialen en
 - arseen en chroom in chemisch behandeld hout.
- Het gevaar van blootstelling hangt af van hoe vaak u werkt met dit soort materiaal. Om blootstelling aan deze chemicaliën te beperken: werk in een goed eventilerde omgeving en gebruik geschikte beschermuitrusting zoals een stofmasker dat speciaal ontworpen is voor het uifilteren van microscopische deeltjes.
29. Sluit het gereedschap aan op een stofvanginrichting wanneer u zaagt.

Bij gebruik in de verstekzaagmodus:

30. Gebruik de zaag niet voor het zagen van andere materialen dan hout, aluminium of soortgelijk materiaal.
31. Zaag nooit met het werkstuk in uw hand dicht bij het zaagblad. Zet het werkstuk voor alle bedieningen altijd stevig vast tegen de draaitafel en de geleider.
32. Zorg dat de draaitafel goed vastgemaakt is zodat hij tijdens het zagen niet kan bewegen.
33. Zorg dat de arm goed vastgemaakt is wanneer u schuine sneden zaagt. Draai de hendel naar rechts om de arm vast te zetten.
34. Zorg dat het zaagblad in zijn laagste positie niet in aanraking komt met de draaitafel, en niet met het werkstuk in contact komt voordat de trek-schakelaar wordt ingedrukt.
35. Houd het handvat stevig vast. Denk eraan dat de zaag bij het starten en stoppen even op en neer gaat.
36. Vervang de zaagsnedeplaat wanneer deze versleten is.

Bij gebruik in de tafelzaag (afkortzaag) modus:

37. Werk nooit met de losse hand. Werken met de losse hand betekent dat u uw handen gebruikt om het werkstuk te ondersteunen of te geleiden, in plaats van een trekgeleider.
38. Zorg dat de arm goed in de werkpositie is vastgemaakt. Draai de hendel naar rechts vast om de arm vast te zetten.
39. Gebruik een drukstok of een drukblok om te voorkomen dat u met uw handen en vingers dicht bij het zaagblad werkt.
40. Zorg dat de zaagtafel stevig is vastgemaakt op de gekozen hoogte.
41. Zorg dat het zaagblad niet met het spouwmes of het werkstuk in aanraking is wanneer u de trek-schakelaar indrukt.
42. Berg de drukstok altijd op wanneer u hem niet gebruikt.

43. Let goed op de voorzorgsmaatregelen voor het beperken van TERUGSLAG. TERUGSLAG is een plotselinge reactie die het gevolg is van een geklemd, geblokkeerd of slecht uitgelijnd zaagblad. Bij TERUGSLAG wordt het werkstuk uit de zaag naar de gebruiker teruggeslagen. TERUGSLAG KAN LEIDEN TOT ERNSTIGE PERSOONLIJKE VERWONDING. Volg deze maatregelen om TERUGSLAG te voorkomen: houd het zaagblad altijd scherp; houd de trekgeleider evenwijdig met het zaagblad; houd het spouwmes en de beschermkap op hun plaats en in goede staat; maak het werkstuk pas los nadat het volledig doorheen het zaagblad is gegaan; schulp nooit een werkstuk dat verbogen of kromgetrokken is of geen rechte rand heeft die langs de geleider kan schuiven.
44. Vermijd het plotseling of snel aanvoeren van het werkstuk. Harde werkstukken dienen zo langzaam mogelijk te worden aangevoerd. Buig of verdraai het werkstuk niet tijdens het aanvoeren. Schakel het gereedschap onmiddellijk uit indien het zaagblad klemraakt of blokkeert. Haal de stekker uit het stopcontact en maak het zaagblad vrij.

BEWAAR DEZE VOORSCHRIFTEN.

INSTALLEREN

LET OP:

- Houd de vloer rondom het gereedschap schoon en vrij van obstakels zoals zaagspanen of afgezaagde stukken.

De hulplaat installeren (Fig. 1 en 2)

Installeer de hulplaat in de inkeping in de voet van het gereedschap en zet hem vast door de zeskante bout vast te draaien.

Op een werktafel monteren (Fig. 3)

Dit gereedschap dient op een vlak en stabiel oppervlak te worden vastgezet door middel van bouten die u vastdraait in de boutgaten in de voet van het gereedschap. Hierdoor wordt voorkomen dat het gereedschap omkantelt en mogelijk verwondingen veroorzaakt.

BESCHRIJVING VAN DE FUNCTIES

LET OP:

- Zorg altijd dat het gereedschap is uitgeschakeld en zijn stekker uit het stopcontact is verwijderd alvorens de functies op het gereedschap af te stellen of te controleren.

Beschermkap (Fig. 4 en 5)

LET OP:

- Controleer of het handvat niet omlaag kan worden gebracht zonder dat de hendel bij het handvat naar links wordt gedrukt.
- Controleer of de onderste beschermkappen A en B niet opengaan tenzij de hendel bij het handvat naar de hoogste positie wordt gedrukt.

Wanneer u de hendel naar links drukt om het handvat omlaag te brengen, gaat de onderste beschermkap A automatisch omhoog. De onderste beschermkap B gaat omhoog zodra deze met een werkstuk in aanraking komt. De onderste beschermkappen zijn veerbelast zodat ze naar hun oorspronkelijke positie terugkeren wanneer het zagen is voltooid en het handvat omhoog wordt gebracht. De bovenste beschermkap valt plat op het bovenzvlak nadat het werkstuk eronder is gegaan. **DE ONDERSTE BESCHERMKAPPEN, DE VEER DIE ERAAN IS BEVESTIGD, EN DE BOVENSTE BESCHERMKAP MOGEN NOOIT WORDEN VASTGEZET OF VERWIJDERD.**

Voor uw persoonlijke veiligheid dienen de beschermkappen altijd in goede staat te worden gehouden. Elke onregelmatigheid in hun werking dient onmiddellijk te worden hersteld. Controleer of de onderste verende beschermkappen goed terugkeren. **GEBRUIK HET GEREEDSCHAP NOOIT WANNEER DE ONDERSTE BESCHERMKAPPEN, DE VEREN OF DE BOVENSTE BESCHERMKAP BESCHADIGD, DEFECT OF VERWIJDERD ZIJN. DIT IS NAMELIJK BIJZONDER GEVAARLIJK EN KAN ERNSTIGE PERSOONLIJKE VERWONDINGEN TOT GEVOLG HEBBEN.**

Als een van deze transparante beschermkappen vuil is of met zaagsel is bedekt zodat het zaagblad niet meer goed zichtbaar is, trek dan de stekker uit het stopcontact en veeg de beschermkappen zorgvuldig schoon met een vochtige doek. Gebruik voor het schoonmaken van de plastic beschermkap nooit oplosmiddelen of benzinehoudende schoonmaakmiddelen.

Als de onderste beschermkap A erg vuil is zodat u er moeilijk doorheen kunt zien, ga dan als volgt te werk. Zet de boventafel vast in de hoogste positie, breng het handvat volledig omhoog, druk de aanslagpen volledig naar binnen, en gebruik de meegeleverde dopsleutel om de zeskante bout van de middenkap los te draaien. Draai de zeskante bout naar links los en breng de onderste beschermkap A en de middenkap omhoog terwijl u de hendel naar links drukt. In deze positie kan de onderste beschermkap A grondiger en gemakkelijker worden schoongemaakt. Voer deze procedure in de omgekeerde volgorde uit en draai de bout weer vast nadat het schoonmaken is voltooid.

Om de bovenste beschermkap schoon te maken, draai de schroef ervan los met een schroevendraaier en verwijder de bovenste beschermkap. Breng de beschermkap na het reinigen weer aan en draai de schroef zodanig vast dat de bovenste beschermkap soepel op en neer beweegt.

Als een van de beschermkappen door ouderdom of blootstelling aan ultraviolet-licht verkleurd is geraakt, neem dan contact op met een Makita servicecentrum voor een nieuwe beschermkap. **DE BESCHERMKAPPEN NOOIT VASTZETTEN OF VERWIJDEREN.**

Handhaven van de maximale zaagcapaciteit (Fig. 6 en 7)

Dit gereedschap is in de fabriek ingesteld voor het leveren van maximale zaagcapaciteit met een 260 mm zaagblad.

Wanneer u een nieuw zaagblad installeert, moet u altijd de laagste positie van het zaagblad controleren en zonodig als volgt afstellen:

LET OP:

- Voor deze afstelling dient u de stekker uit het stopcontact te verwijderen en de boventafel in de laagste positie te zetten.

Verwijder eerst de stekker uit het stopcontact. Zet de boventafel in de laagste positie. Breng het handvat volledig omlaag. Gebruik de dopsleutel en draai de stelbout onderaan in het grootste gat in de boventafel naar links of rechts totdat de omtrek van het zaagblad ietwat onder het bovenzvlak van de draaitafel komt te zitten bij het punt waar het voorvlak van de geleider in aanraking komt met het bovenzvlak van de draaitafel.

Met de stekker uit het stopcontact verwijderd, draai met de hand het zaagblad rond terwijl u het handvat volledig omlaag gedrukt houdt, en controleer of het zaagblad met geen enkel deel van het onderste voetstuk in aanraking komt. Stel opnieuw een beetje af, indien nodig.

LET OP:

- Na het installeren van een nieuw zaagblad, dient u altijd te controleren of het zaagblad met geen enkel deel van het onderste voetstuk in aanraking komt wanneer het handvat volledig omlaag is gebracht. Voer deze controle altijd uit met de stekker uit het stopcontact verwijderd.

Instellen van de verstekhoek (Fig. 8)

Draai de handgreep naar links los. Verdraai de draaitafel terwijl u de vergrendelknop ingedrukt houdt. Beweeg de handgreep naar de positie waar de wijzer de gewenste hoek op de verstekschaal aanwijst en draai dan de handgreep weer stevig naar rechts vast.

LET OP:

- Voor het verdraaien van de draaitafel dient u het handvat in de hoogste positie te plaatsen.
- Na het wijzigen van de verstekhoek, dient u de draaitafel altijd vast te zetten door de handgreep stevig vast te draaien.

Instellen van de schuine hoek (Fig. 9 en 10)

Om de schuine hoek in te stellen, draait u de hendel op de achterkant van het gereedschap naar links los.

Duw het handvat naar links om het zaagblad te kantelen totdat de wijzer naar de gewenste hoek op de schuinehoek schaal wijst. Draai daarna de hendel weer stevig naar rechts vast om de arm te vergrendelen.

LET OP:

- Voor het schuin zetten van het zaagblad dient u het handvat in de hoogste positie te plaatsen.
- Na het wijzigen van de schuine hoek, dient u altijd de arm vast te zetten door de hendel naar rechts vast te draaien.

Werking van de schakelaar (Fig. 11)

- Controleer vóór ieder gebruik of het gereedschap goed in- en uitschakelt.

Druk de ON (I) knop in om het gereedschap te starten. Druk de OFF (O) knop in om te stoppen.

Aanzetten van de lampen (Fig. 11 en 12)

Alleen voor de modellen LH1040F

Druk op het bovenste gedeelte van de schakelaar om de lamp aan te zetten, en op het onderste gedeelte om de lamp uit te doen.

LET OP:

- Kijk niet direct in het lamplicht of in de lichtbron.

OPMERKING:

- Gebruik een droge doek om vuil op de lens van de lamp eraf te vegen. Pas op dat u geen krassen maakt op de lens, omdat de verlichtingssterkte hierdoor zal verminderen.

De hoogte van de boventafel afstellen (Fig. 13)

Om de hoogte van de boventafel af te stellen, draait u de twee hendels naar links los en dan brengt u de boventafel omhoog of omlaag. Draai vervolgens de twee hendels weer goed vast.

WAARSCHUWING:

- Zet de boventafel in de hoogste positie wanneer u het gereedschap voor verstekzagen gebruikt, of in de gewenste positie wanneer u het als een tafelzaag (afkortzaag) gebruikt.

INEENZETTEN

LET OP:

- Zorg altijd dat het gereedschap is uitgeschakeld en zijn stekker uit het stopcontact is verwijderd alvorens enig werk aan het gereedschap uit te voeren.

Installeren of verwijderen van het zaagblad

LET OP:

- Zorg altijd dat het gereedschap is uitgeschakeld en zijn stekker uit het stopcontact is verwijderd alvorens het zaagblad te installeren of te verwijderen.
- Gebruik voor het installeren of verwijderen van het zaagblad uitsluitend de bijgeleverde Makita dopsleutel. Doet u dit niet, dan kan de zeskante bout te vast of te los worden aangedraaid. Dit kan leiden tot persoonlijke verwonding.

Zet de boventafel vast in de hoogste positie.

Druk de aanslagpen in om het handvat in de omhoogpositie te vergrendelen. (Fig. 14)

Om het zaagblad te verwijderen, draai eerst de klemmschroef los zodat de onderste beschermkap B omlaag komt zoals afgebeeld. (Fig. 15)

Gebruik vervolgens de dopsleutel om de zeskante bout van de middenkap naar links los te draaien. Breng de onderste beschermkap A en de middenkap omhoog terwijl u de hendel bij het handvat naar links drukt. (Fig. 16) Druk de asblokkering in om de as te vergrendelen en draai met de dopsleutel de zeskante bout naar rechts los. Verwijder vervolgens de zeskante bout, de buitenflens en het zaagblad. (Fig. 17)

Om het zaagblad te installeren, monteert u het zaagblad zorgvuldig op de as, ervoor zorgend dat de pijltjes op het zaagblad en op de zaagbladkast in dezelfde richting wijzen. Monteer de buitenflens en de zeskante bout, en draai met de dopsleutel de zeskante bout (linkse schroefdraad) stevig naar links vast terwijl u daarbij de asblokkering ingedrukt houdt. (Fig. 18 en 19)

OPMERKING:

- Wanneer u een zaagblad installeert, dient u het eerst vanaf de buitenzijde van de beschermkap B erin te steken. Breng het zaagblad vervolgens omhoog zodat het in de beschermkap B is geplaatst.

Voor alle niet-Europese landen

LET OP:

- De zilverring met een buitendiameter van 25,4 mm is in de fabriek op de as gemonteerd. De zwarte ring met een buitendiameter van 25 mm is als standaard toebehoren meegeleverd. Alvorens het zaagblad op de as te monteren, moet u altijd zorgen dat de juiste ring, voor het asgat van het zaagblad dat u gaat gebruiken, op de as is gemonteerd. (Fig. 20)

Voor Europese landen

LET OP:

- De ring met een buitendiameter van 30 mm is in de fabriek tussen de binnen- en buitenflens gemonteerd. (Fig. 20)

Breng de onderste beschermkap A en de middenkap terug naar hun oorspronkelijke positie. Draai daarna de zeskante bout naar rechts vast om de middenkap vast te zetten. Breng de beschermkap B zo ver mogelijk omhoog en draai de klemmschroef goed vast terwijl u de beschermkap B in de omhoogpositie houdt. Breng het handvat omlaag om te controleren of de onderste beschermkappen goed bewegen. Zet de asblokkering in de vrije stand alvorens te gaan zagen.

Afstellen van het spouwmes

Alvorens het spouwmes af te stellen, draai de twee hendels naar links los en druk de boventafel aan de rechterzijde bij het spouwmes naar zijn laagste positie. Zet vervolgens de boventafel stevig vast door de twee hendels opnieuw vast te draaien zoals afgebeeld. (Fig. 21) De afstand tussen het spouwmes en de zaagbladranden dient ongeveer 4 – 5 mm te zijn. Stel het spouwmes af door de twee zeskante bouten met de dopsleutel naar links los te draaien en de afstand te meten. Trek na het afstellen de zeskante bouten stevig aan, en controleer of de bovenste beschermkap soepel werkt alvorens te gaan zagen. (Fig. 22)

In de fabriek werd het spouwmes zodanig gemonteerd dat het zaagblad en het spouwmes in rechte lijn gemonteerd zijn. (Fig. 23)

LET OP:

- Als het zaagblad en het spouwmes niet juist uitgelijnd zijn, kan het zaagblad tijdens het gebruik vastgeklemd raken. Zorg altijd dat deze beide onderdelen juist uitgelijnd zijn. Zoniet, dan bestaat er gevaar voor verwonding. In geval van slechte uitlijning dient u het gereedschap door een erkend Makita servicecentrum te laten nazien.

Installeren en afstellen van de trekgeleider

1. Installeer de trekgeleider op de tafel zodat de trekgeleiderhouder in de geleiderail past. Draai de klem-schroef (B) van de trekgeleider stevig naar rechts vast.
2. Draai de klem-schroef (A) los.
3. Verschuif de trekgeleider en zet hem vast zodat het verst van u verwijderde uiteinde van de trekgeleider overeenkomt met het punt waar de voorrand van het zaagblad niet uit het bovenvlak van het werkstuk komt. Deze afstelling is nodig om het gevaar voor terugslag te verminderen, d.w.z. om te voorkomen dat het afgezaagde gedeelte van het werkstuk tussen het zaagblad en de trekgeleider gekneld raakt en naar de gebruiker wordt teruggeslagen. De lijn 3 varieert afhankelijk van de dikte van het werkstuk of de tafelhoogte. Stel de positie van de trekgeleider af in overeenstemming met de dikte van het werkstuk. Nadat de trekgeleider is afgesteld, trekt u de klem-schroef (A) weer stevig aan. (Fig. 24 en 25)

OPMERKING:

- Zoals afgebeeld (Fig. 26) zijn er vier patronen voor het plaatsen van de trekgeleider. De trekgeleider heeft twee sleuven op de zijkanten. Een van deze sleuven heeft een verhoogde rand ernaast, en de andere niet. Gebruik het vlak met de verhoogde rand naar het werkstuk gericht alleen wanneer u een dun werkstuk wilt zagen.
- Om het patroon van de trekgeleider te veranderen, verwijdt u de trekgeleider van de trekgeleiderhouder door de klem-schroef (A) los te draaien en dan plaatst u de trekgeleider in de houder in overeenstemming met het uit te voeren werk, zoals afgebeeld. Monteer de vierkante moer op de trekgeleiderhouder in het achter-einde van een van de sleuven in de trekgeleider zodat deze passen zoals afgebeeld.

Om te veranderen van patroon A of B naar patroon C of D, of omgekeerd, verwijdt u de vierkante moer, de vulring en de klem-schroef (A) van de trekgeleiderhouder, en vervolgens monteert u de klem-schroef (A), de vulring en de vierkante moer aan de tegenovergestelde zijde van de trekgeleiderhouder. Trek de klem-schroef (A) stevig aan nadat de vierkante moer van de trekgeleiderhouder in de sleuf van de trekgeleider is gemonteerd. Monteer de vierkante moer op de trekgeleiderhouder in het achter-einde van een van de sleuven in de trekgeleider zodat deze passen zoals afgebeeld. (Fig. 27)

De trekgeleider is in de fabriek evenwijdig met het zaagblad ingesteld. Zorg dat deze altijd evenwijdig zijn. Om te controleren of deze evenwijdig zijn, dient u de tafel in de laagste positie te zetten zodat het zaagblad bij het hoogste punt van de tafel te zien is. Markeer een van de zaagbladtanden met een krijt. Meet de afstanden (A) en (B) tussen de trekgeleider en het zaagblad. Maak beide metingen aan de hand van de gemarkeerde zaagbladtand. (Fig. 28) Deze twee afstanden dienen gelijk te zijn. Ga als volgt te werk indien de trekgeleider niet evenwijdig is met het zaagblad: (Fig. 29)

1. Draai de twee stelschroeven naar links.
2. Schuif de achterraand van de trekgeleider ietwat naar rechts of links totdat deze evenwijdig is met het zaagblad.
3. Trek de twee schroeven op de trekgeleider stevig aan.

LET OP:

- Zorg dat de trekgeleider altijd evenwijdig is met het zaagblad, omdat er anders gevaar is voor gevaarlijke terugslag.
- Stel de trekgeleider zodanig in dat hij niet in aanraking komt met de bovenste beschermkap of het zaagblad. (Fig. 30)

Stofzak

Door de stofzak te gebruiken wordt het zaagsel opgevangen en kunt u schoon werken. Om de stofzak te bevestigen, monteert u hem op de stofuitlaat op het gereedschap. (Fig. 31)

OPMERKING:

- Voor verstekzagen mag de stofzak enkel op de achterste stofuitlaat worden gemonteerd.

Wanneer de stofzak ongeveer halfvol is, verwijdert u hem van het gereedschap en trekt u de sluitstrip eruit. Maak de stofzak leeg en tik er lichtjes op voor het verwijderen van achtergebleven stofdeeltjes die de stofopvangning zouden kunnen belemmeren. (Fig. 32)

U kunt doeltreffender en schoner werken door een stofzuiger op de zaag aan te sluiten.

Om het zaagbladdeksel te installeren voor gebruik in de tafelzaag (afkortzaag) modus, draait u de draaitafel naar de 0° verstekhoek (zie het gedeelte "Instellen van de verstekhoek"). Plaats vervolgens het zaagbladdeksel op de draaitafel zodat het zaagbladdeksel over de sleuf voor het zaagblad in de draaitafel komt te zitten. Vergrendel daarna het handvat in de laagste positie door de aanslagpen volledig naar binnen te drukken zoals afgebeeld. (Fig. 33)

OPMERKING:

- Om de stofzak op de voorste stofuitlaat te monteren voor gebruik in de tafelzaag (afkortzaag) modus, verwijdt u eerst de dop van de voorste stofuitlaat en vervolgens sluit u de stofzak op de stofuitlaat aan.
- Plaats altijd de dop weer op de voorste stofuitlaat wanneer u de stofzak niet gebruikt. Als u dit niet doet, kan stof uit de stofuitlaat naar buiten worden geblazen.
- Installeer altijd het zaagbladdeksel op de draaitafel wanneer u het gereedschap in de tafelzaag (afkortzaag) modus gaat gebruiken.

Vastzetten van het werkstuk

Zet het werkstuk, indien mogelijk, altijd vast met de optionele spanschroef. Als u het werkstuk met de hand dient vast te houden, houd het dan altijd zo stevig mogelijk vast. Houd uw hand en arm op redelijke afstand van het zaagblad (minstens 100 mm). Druk het werkstuk stevig tegen de geleider met uw vingers boven de geleider. Zorg ook dat het werkstuk vast op de draaitafel rust.

WAARSCHUWING:

- Gebruik nooit uw hand voor het vasthouden van een werkstuk waarbij uw hand minder dan 100 mm van het zaagblad verwijderd is. Gebruik in dit geval altijd de los verkrijgbare spanschroef om het werkstuk vast te zetten. Breng het zaagblad na het zagen voorzichtig omhoog. Breng het zaagblad pas omhoog nadat het volledig tot stilstand is gekomen, omdat er anders gevaar is voor ernstige verwonding.

LET OP:

- Bij het zagen van lange werkstukken moet u steunen gebruiken die even hoog zijn als het bovenvlak van de draaitafel. Verlaat u niet alleen op de verticale en/of horizontale spanschroef (beide los verkrijgbaar) om het werkstuk op zijn plaats te houden. **(Fig. 34)**
Dun materiaal hangt gemakkelijk door. Ondersteun het werkstuk over zijn hele lengte om vastklemmen van het zaagblad en mogelijke TERUGSLAG te voorkomen.

Verticale spanschroef (los verkrijgbaar accessoire) (Fig. 35)

De verticale spanschroef kan aan de linker- of rechterzijde van de geleider of de houdermontage (los verkrijgbaar accessoire) worden gemonteerd. Steek de stang van de spanschroef in het gat in de geleider of houdermontage en trek de schroef aan om de stang vast te zetten.

Zet de arm van de spanschroef in de positie die geschikt is voor de dikte en vorm van het werkstuk, en zet de arm vast door de schroef vast te draaien. Indien de schroef in aanraking komt met de geleider, moet u deze aan de tegenovergestelde zijde van de spanschroefarm monteren. Controleer of geen enkel deel van het gereedschap in aanraking komt met de spanschroef wanneer het handvat volledig omlaag wordt gebracht. Indien dit wel het geval is, moet u de positie van de spanschroef veranderen.

Druk het werkstuk vlak tegen de geleider en de draaitafel. Plaats het werkstuk in de gewenste zaagpositie en zet het stevig vast door de knop van de spanschroef vast te draaien.

LET OP:

- Het werkstuk dient stevig tegen de draaitafel en de geleider vastgezet te zijn.

Horizontale spanschroef (los verkrijgbaar accessoire) (Fig. 36)

De horizontale spanschroef kan aan de linker- of rechterzijde van de gereedschapsvoet worden geïnstalleerd. Voor versteksneden van 15° of meer, installeert u de horizontale spanschroef aan de tegenovergestelde zijde van de richting waarin de draaitafel zal worden gedraaid. Door de knop van de spanschroef naar links te draaien wordt de spanschroef in de vrije stand gezet en kunt u de spanschroefas snel naar binnen en naar buiten bewegen. Door de knop van de spanschroef naar rechts te draaien wordt de spanschroef vastgezet. Om het werkstuk te grijpen, draait u de knop van de spanschroef langzaam naar rechts totdat het uitsteeksel zijn hoogste positie bereikt, en daarna draait u de knop stevig vast. Indien de spanschroefknop naar binnen of naar buiten wordt getrokken terwijl u hem naar rechts draait, kan het uitsteeksel in een schuine positie stoppen. In dit geval draait u de spanschroefknop terug naar links totdat de spanschroef los komt, en dan draait u hem weer langzaam naar rechts.

De maximale breedte van werkstukken die met de horizontale spanschroef kunnen worden vastgezet is 130 mm.

Houders en houdermontage (los verkrijgbare accessoires)

U kunt de houders en de houdermontage aan beide zijden van het gereedschap aanbrengen om de werkstukken horizontaal te ondersteunen. Installeer deze accessoires zoals afgebeeld. Draai daarna de schroeven goed vast om de houders en de houdermontage vast te zetten. **(Fig. 37)**

Gebruik de houder/stang montage (los verkrijgbaar accessoire) voor het zagen van lange werkstukken. Deze bestaat uit twee houdermontages en twee stangen 12.

(Fig. 38)

LET OP:

- Ondersteun lange werkstukken altijd op gelijke hoogte met het bovenvlak van de draaitafel, om nauwkeurige zaagsneden te krijgen en gevaarlijk controleverlies over het gereedschap te voorkomen.

BEDIENING

LET OP:

- Voordat u het gereedschap inschakelt, dient u het handvat uit zijn omlaagpositie te halen door de aanslagen naar buiten te trekken.
- Zorg dat het zaagblad niet in aanraking is met het werkstuk e.d. voordat u de trekschakelaar indrukt.

GEbruIKEN ALS EEN VERSTEKZAAG

WAARSCHUWING:

- Wanneer u het gereedschap als een verstekzaag gebruikt, dient u de boventafel in de hoogste positie te zetten zodat het zaagblad nooit uit het bovenvlak van de boventafel naar buiten steekt.

LET OP:

- Oefen tijdens het zagen geen overmatige druk op het handvat uit. Wanneer u te hard drukt, kan de motor overbelast raken en/of de zaagcapaciteit verminderen. Druk alleen zo hard als nodig is voor soepel zagen zonder dat de draaisnelheid van de zaag aanzienlijk vermindert.
- Druk het handvat zachtjes naar beneden om te zagen. Indien het handvat met geweld naar beneden wordt gedrukt of zijwaartse druk erop wordt uitgeoefend, zal het zaagblad trillen en een merkteken (zaagteken) in het werkstuk achterlaten, en zal ook de zaagsnede minder nauwkeurig zijn.

1. Drukkend zagen (Fig. 39)

Zet het werkstuk vast tegen de geleider en de draaitafel. Schakel het gereedschap in zonder dat het zaagblad met het werkstuk in contact is, en wacht totdat het zaagblad op volle toeren draait. Breng dan het handvat langzaam omlaag naar de laagste positie om het werkstuk te zagen. Nadat het zagen is voltooid, schakelt u het gereedschap uit. **WACHT TOTDAT HET ZAAGBLAD VOLLEDIG TOT STILSTAND IS GEKOMEN** alvorens het zaagblad naar zijn hoogste positie terug te brengen.

2. Verstekzagen

Zie het gedeelte "Instellen van de verstekhoek" hierboven.

3. Schuine sneden zagen (Fig. 40)

Draai de hendel los en zet het zaagblad schuin om de schuine hoek in te stellen (zie "Instellen van de schuine hoek" hierboven). Draai daarna de hendel weer stevig vast om de gekozen schuine hoek goed vast te houden. Zet het werkstuk vast tegen de geleider en de draaitafel. Zorg dat de slede volledig naar u toe is getrokken. Schakel het gereedschap in zonder dat het zaagblad met het werkstuk in contact is en wacht totdat het zaagblad op volle toeren draait. Breng dan het handvat langzaam omlaag naar de laagste positie door druk uit te oefenen evenwijdig met het zaagblad. Nadat het zagen is voltooid, schakelt u het gereedschap uit. **WACHT TOTDAT HET ZAAGBLAD VOLLEDIG TOT STILSTAND IS GEKOMEN** alvorens het zaagblad naar zijn hoogste positie terug te brengen.

LET OP:

- Controleer tijdens het zagen van schuine sneden altijd of het zaagblad in schuine richting naar beneden beweegt. Houd uw handen uit de buurt van het zaagblad.
- Tijdens het zagen van schuine sneden kan het gebeuren dat het afgezaagde stuk tegen de zijkant van het zaagblad komt te liggen. Indien het zaagblad omhoog wordt gebracht terwijl het nog draait, kan dit stuk door het draaiende zaagblad worden gegrepen zodat brokstukken in het rond worden geslingerd, hetgeen natuurlijk gevaarlijk is. Breng daarom het zaagblad omhoog **ALLEEN** nadat het volledig tot stilstand is gekomen.
- Wanneer u het handvat omlaag drukt, dient u druk uit te oefenen evenwijdig met het zaagblad. Indien de druk tijdens het zagen niet evenwijdig is met het zaagblad, kan de hoek van het zaagblad verschuiven zodat de zaagsnede minder nauwkeurig zal zijn.

4. Gecombineerd zagen

Gecombineerd zagen betekent dat het werkstuk tegelijk met een schuine hoek en een verstekhoek wordt gezaagd. Gecombineerd zagen is mogelijk voor de hoeken aangegeven in de onderstaande tabel.

Schuine hoek	Verstekhoek
45°	Links en Rechts 0° – 45°

Voor de bedieningen voor gecombineerd zagen, zie de beschrijvingen onder "Drukkend zagen", "Verstekzagen", en "Schuine sneden zagen".

5. Zagen van aluminium werkstukken (Fig. 41)

Gebruik vulblokken of afgedankte blokstukken voor het vastzetten van aluminium werkstukken, zoals afgebeeld, om vervorming van de aluminium te voorkomen. Gebruik voor het zagen ook zaagolie, om te voorkomen dat aluminium zaagsel zich op het zaagblad vastzet.

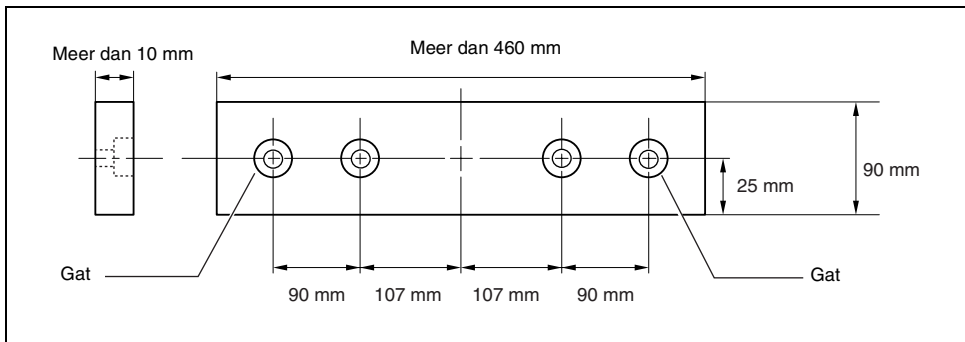
LET OP:

- Probeer nooit om dikke of ronde aluminium werkstukken te zagen. Dikke aluminium werkstukken kunnen tijdens het zagen los komen, terwijl ronde aluminium werkstukken op dit gereedschap niet goed kunnen worden vastgezet.
- Zaag nooit aluminium werkstukken in de tafelzaag (afkortzaag) modus.

6. Houten hulpstuk

Het gebruik van een houten hulpstuk helpt om splintervrije sneden te krijgen. Gebruik de gaten in de geleider om een houten hulpstuk aan de geleider te bevestigen.

Zie de afbeelding voor de afmetingen van een dergelijk houten hulpstuk.



LET OP:

- Gebruik als houten hulpstuk een recht stuk hout van gelijke dikte.
- Gebruik schroeven om het houten hulpstuk aan de geleider te bevestigen. Zorg dat de schroefkoppen niet uit het bovenvlak van het houten hulpstuk steken.
- Draai de draaitafel na het bevestigen van het houten hulpstuk niet met het handvat in de omlaagpositie. Als u dit doet, kan het zaagblad en/of het houten hulpstuk worden beschadigd.

7. Stukken van gelijke lengte zagen (Fig. 42)

Wanneer u verschillende stukken van dezelfde lengte tussen 240 mm en 400 mm wilt zagen, kunt u gemakkelijker werken door de stelplaat te gebruiken. Monteer de stelplaat op de houder zoals afgebeeld.

Breng de zaaglijn op uw werkstuk op één lijn met de linkerzijde of de rechterzijde van de groef in de zaagsnedeplaat. Houd het werkstuk vast zodat het niet kan bewegen, en plaats de stelplaat vlak tegen het einde van het werkstuk. Zet daarna de stelplaat vast met de schroef. Wanneer u de stelplaat niet gebruikt, draait u de schroef los en draait u de stelplaat uit de weg.

OPMERKING:

- Door de houder/stang montage (los verkrijgbaar accessoire) te gebruiken kunt u stukken van dezelfde lengte van ongeveer maximaal 2 200 mm zagen.

GEBRUIKEN ALS EEN TAFELZAAG (AFKORTZAAG)

LET OP:

- Wanneer u de zaag in de tafelzaag (afkortzaag) modus gebruikt, plaats dan het zaagbladdeksel op de draaitafel zodat dit deksel over de sleuf voor het zaagblad in de draaitafel zit en de twee kleine verdikkingen op de onderzijde van het deksel in de halfcirkelvormige sleuven op de buitenrand van de draaitafel passen, zoals afgebeeld. Vergrendel vervolgens het handvat in de laagste positie door de aanslagpen volledig naar binnen te drukken. (Fig. 43)
- Gebruik altijd "werkassistenten" zoals drukstukken en drukblokken wanneer er gevaar is dat uw handen of vingers dicht bij het zaagblad zullen komen.

- Verwijder NOOIT het werkstuk terwijl het zaagblad nog draait. Als het werkstuk verwijderd dient te worden voordat de snede is voltooid, schakel dan eerst het gereedschap uit terwijl u het werkstuk stevig vasthoudt. Verwijder het werkstuk pas nadat het zaagblad volledig tot stilstand is gekomen. Als u dit verzuimt, bestaat er gevaar voor terugslag.
- Verwijder NOOIT afgezaagd materiaal terwijl het zaagblad nog draait.
- Kom NOOIT met uw handen of vingers in het pad van het zaagblad.
- Zet de trekgeleider altijd stevig vast, omdat er anders gevaar is voor terugslag.

Werkassistenten

Drukstukken, drukblokken of hulpgeleiders zijn een soort "werkassistenten". Gebruik deze hulpmiddelen om veilig te kunnen zagen zonder dat de gebruiker een deel van het gereedschap dient aan te raken.

Drukblok (Fig. 44)

Gebruik een stuk gelaagd hout van 15 mm dikte.

Het handvat dient in het midden van het stuk gelaagd hout te komen. Bevestig met lijm en hout Schroeven, zoals afgebeeld. Een stukje hout van 10 mm x 9 mm x 30 mm dient altijd aan het gelaagd hout gelijmd te worden, om afstomping van het zaagblad te voorkomen indien de gebruiker per ongeluk in het drukblok zaagt. (Sla nooit spijkers in het drukblok.)

Hulpgeleider (Fig. 45 en 46)

Maak een hulpgeleider uit stukken gelaagd hout van 10 mm en 15 mm.

Verwijder de trekgeleider, de klemschroef (A), de platte vulring en de vierkante moer van de trekgeleiderhouder. Bevestig vervolgens de hulpgeleider aan de trekgeleiderhouder door middel van een M6 bout die langer is dan M6 x 50, vulringen en een moer.

Schulpen

LET OP:

- Gebruik altijd steunen achter de tafel wanneer u lange of grote werkstukken wilt zagen. Sta NIET toe dat een lange plank op de tafel kan bewegen of verschuiven. Het zaagblad kan dan namelijk klemmen zodat er gevaar is voor terugslag en persoonlijke verwonding. De steun dient even hoog te zijn als de tafel.

1. Stel de zaagdiepte iets hoger in dan de dikte van het werkstuk. Stel in door de twee hendels los te draaien en de boventafel hoger of lager te zetten.
2. Positioneer de trekgeleider op de gewenste breedte en zet hem vast met de klemschroef (A). Controleer voordat u gaat zagen of de twee schroeven van de trekgeleiderhouder goed vastzitten. Indien niet, trek de schroeven steviger aan.
3. Schakel het gereedschap in en voer het werkstuk langs de trekgeleider langzaam doorheen het zaagblad.
 - (1) Gebruik een drukstok indien de schulpbreedte 40 mm of meer is. (Fig. 47)
 - (2) Wanneer de schulpbreedte minder dan 40 mm is, kan de drukstok niet worden gebruikt omdat hij tegen de bovenste beschermkap zal stoten. Gebruik een hulpgeleider en een drukblok. Maak de hulpgeleider stevig vast aan de trekgeleiderhouder op de tafel. Voer het werkstuk aan met uw hand totdat zijn uiteinde ongeveer 25 mm verwijderd is van de voorrand van de boventafel. Voer daarna verder aan met behulp van het drukblok op de hulpgeleider totdat de snede voltooid is. (Fig. 48)

Dragen van het gereedschap

Zorg dat de stekker uit het stopcontact is verwijderd. Zet het zaagblad vast op de 0° schuine hoek en de draaitafel op de uiterst linkse verstekhoek. Breng het handvat volledig omlaag en vergrendel het in de laagste positie door de aanslagen volledig naar binnen te drukken. (Fig. 49) Draag het gereedschap door beide zijden van de gereedschapsvoet vast te houden, zoals afgebeeld. Het gereedschap is gemakkelijker om dragen wanneer u de houders, stofzak, enz., ervan verwijdert. (Fig. 50)

LET OP:

- Zet altijd alle bewegende onderdelen vast alvorens het gereedschap te dragen.

ONDERHOUD

LET OP:

- Zorg altijd dat het gereedschap is uitgeschakeld en zijn stekker uit het stopcontact is verwijderd alvorens te beginnen met inspectie of onderhoud.

WAARSCHUWING:

- Zorg altijd dat het zaagblad scherp en schoon is om optimale en veilige prestaties te krijgen.

Afstellen van de zaaghoek

Dit gereedschap werd in de fabriek nauwkeurig afgesteld en uitgelijnd, maar door ruwe behandeling kan de uitlijning ervan verslechterd zijn. Doe het volgende indien uw gereedschap niet meer juist is uitgelijnd:

1. Verstekhoek

Draai de greep los om de draaitafel los te maken. Draai de draaitafel zodanig dat de wijzer naar 0° op de verstekschaal wijst. Draai de greep vast en draai met de dop sleutel de zeskante bouten van de geleider los. (Fig. 51) Breng het handvat volledig omlaag en vergrendel het in de laagste positie door de aanslagen in te drukken. Zet de zijde van het zaagblad haaks ten opzichte van het vlak van de geleider door gebruik te maken van een driehoeksliniaal, een winkelhaak, e.d. Draai vervolgens de zeskante bouten van de geleider goed vast, beginnend vanaf de rechterzijde. (Fig. 52)

2. Schuine hoek

- (1) 0° schuine hoek

Breng het handvat volledig omlaag en vergrendel het in de laagste positie door de aanslagen naar binnen te drukken. Draai de hendel aan de achterzijde van het gereedschap los. Draai de stelbout voor de 0° schuine hoek aan de rechterzijde van de draaitafel twee tot drie slagen naar rechts om het zaagblad naar rechts te kantelen. (Fig. 53)

Zet de zijde van het zaagblad haaks ten opzichte van het bovenvlak van de draaitafel (gebruik een driehoeksliniaal, een winkelhaak, e.d.) door de stelbout voor de 0° schuine hoek voorzichtig naar links te draaien. (Fig. 54)

Controleer of de wijzer op de draaitafel naar 0° op de schuine-hoek schaal op de arm wijst. Indien niet, draai dan de bevestigingsschroef van de wijzer los en verstel de wijzer zodat hij naar 0° wijst. (Fig. 55)

- (2) 45° schuine hoek

Stel de 45° schuine hoek pas in nadat de 0° schuine hoek is ingesteld. Voor het instellen van de linkse 45° hoek, draait u de hendel los en doet u het zaagblad volledig naar links hellen. Controleer of de wijzer op de arm naar 45° op de schuine-hoek schaal op de arm wijst. Indien niet, draai de stelbout voor de 45° schuine hoek aan de linkerzijde van de arm totdat de wijzer naar 45° wijst. (Fig. 56)

Vervangen van de koolborstels (Fig. 57 en 58)

Verwijder en controleer regelmatig de koolborstels. Vervang de koolborstels wanneer deze tot aan de limietmerkstreep versleten zijn. Houd de koolborstels schoon zodat ze vlot in hun houders glijden. Beide koolborstels dienen tegelijkertijd te worden vervangen. Gebruik uitsluitend identieke koolborstels.

Gebruik een schroevendraaier om de koolborsteldoppen te verwijderen. Haal de versleten koolborstels eruit, schuif de nieuwe erin, en zet de koolborsteldoppen goed vast.

Na het gebruik

- Veeg na gebruik alle zaagsel en stof op het gereedschap eraf met een doek of iets dergelijks. Houd de veiligheidskap schoon volgens de instructies die in de paragraaf "Beschermkap" werden beschreven. Smeer de glijdende onderdelen in met machine-olie om roestvorming te voorkomen.

Om de VEILIGHEID en BETROUWBAARHEID van het gereedschap te handhaven, dienen alle reparaties, onderhoud of afstellingen te worden uitgevoerd bij een erkend Makita servicecentrum, en altijd met gebruik van Makita vervangingsonderdelen.

ACCESSOIRES

LET OP:

- Deze accessoires of hulpstukken worden aanbevolen voor gebruik met het Makita gereedschap dat in deze gebruiksaanwijzing wordt beschreven. Het gebruik van andere accessoires of hulpstukken kan gevaar voor persoonlijke verwonding opleveren. Gebruik de accessoires of hulpstukken uitsluitend voor het gespecificeerde doel.

Wenst u meer informatie over deze accessoires, neem dan contact op met het dichtstbijzijnde Makita servicecentrum.

- Stalen en hardmetalen zaagbladen
- Hulpplaat
- Spanschroefmontage (Horizontale spanschroef)
- Verticale spanschroef
- Dopsleutel 13
- Houderset
- Houdermontage
- Houder/stang montage
- Stelplaat
- Stofzak
- Driehoeksliniaal
- Zaagbladdeksel (Beschermkap C)
- Drukstok
- Liniaalset (Trekgeleider)

Explicación de los dibujos

1 Placa auxiliar	32 Caja del disco	62 Soporte
2 Perno hexagonal	33 Flecha	63 Conjunto de soporte
3 Base	34 Brida exterior	64 Pomo de la mordaza
4 Tuerca	35 Brida interior	65 Proyección
5 Perno	36 Eje	66 Eje de la mordaza
6 Protector de disco inferior A	37 Anillo	67 Barra de 12
7 Protector de disco inferior B	38 Abridor	68 Mordaza (accesorio opcional)
8 Protector de disco superior	39 Área a presionar hacia dentro	69 Bloque espaciador
9 Tornillo	40 Anchura del disco	70 Extrusión de aluminio
10 Empuñadura	41 Soporte de la guía para cortar al hilo	71 Placa de presión
11 Palanca	42 Carril guía en la mesa superior	72 Bulón pequeño
12 Llave de tubo	43 Tornillo de apriete (A)	73 Cara/borde paralelos
13 Perno de ajuste	44 Tornillo de apriete (B)	74 Tornillo para madera
14 Parte superior de la base giratoria	45 Guía para cortar al hilo	75 Pegar juntos
15 Periferia del disco	46 Soporte de la guía para cortar al hilo	76 Agujero (7 mm de diámetro)
16 Guía lateral	47 Pieza de trabajo	77 Arandela
17 Puntero	48 Línea con la que alinear	78 Tuerca
18 Palanca de bloqueo	49 Tuerca cuadrada	79 Perno M6
19 Mango	50 Escala	80 Listón de empuje
20 Escala de inglete	51 Dos tornillos	81 Guía auxiliar
21 Escala de bisel	52 Boquilla de polvo	82 Bloque de empuje
22 Interruptor	53 Bolsa de polvo	83 Escuadra
23 Interruptor de lámpara	54 Cierre	84 Perno de ajuste a 0°
24 Lámparas	55 Tapa	85 Brazo
25 Pasador de retención	56 Aspirador	86 Perno de ajuste del ángulo de bisel a 45°
26 Tornillo de apriete	57 Cubierta del disco	87 Marca límite
27 Mesa superior	58 Apoyo	88 Destornillador
28 Carcasa del motor	59 Base giratoria	89 Tapón portaescobillas
29 Cubierta central	60 Brazo de la mordaza	
30 Bloqueo del eje	61 Barra de la mordaza	
31 Disco de sierra		

ESPECIFICACIONES

Modelo

LH1040/LH1040F

Diámetro del disco 255 mm – 260 mm

Diámetro del agujero 25,4 mm y 25 mm

Para todos los países excepto los europeos 30 mm

Para los países europeos 30 mm

Capacidades de corte máximas (Al x An) con disco de 260 mm de diámetro en el modo de sierra de inglete

Ángulo de bisel	Ángulo de inglete	
	0°	45°
0°	69 mm x 130 mm 93 mm x 95 mm	derecha 69 mm x 85 mm, 93 mm x 67 mm izquierda 69 mm x 85 mm, 93 mm x 67 mm
45° (izquierda)	35 mm x 130 mm 53 mm x 95 mm	derecha 35 mm x 91 mm, 49 mm x 67 mm izquierda 35 mm x 65 mm, 49 mm x 42 mm


Capacidades de corte máximas a 90° en el modo de sierra de mesa (modo sierra de banco) 40 mm

Velocidad en vacío (min⁻¹) 4.800

Tamaño de la mesa (An x La) 260 mm x 405 mm

Dimensiones (La x An x Al) 530 mm x 476 mm x 535 mm

Peso neto 13,7 kg

Clase de seguridad  II

- Debido a un programa continuo de investigación y desarrollo, las especificaciones aquí dadas están sujetas a cambios sin previo aviso.
- Nota: Las especificaciones pueden ser diferentes de país a país.

Uso previsto

La herramienta ha sido pensada para hacer cortes rectos de precisión y (solamente cuando se utilice como sierra de inglete en la mesa inferior) cortes de inglete en madera.

Alimentación

La herramienta ha de conectarse solamente a una fuente de alimentación de la misma tensión que la indicada en la placa de características, y sólo puede funcionar con corriente alterna monofásica. El sistema de doble aislamiento de la herramienta cumple con la norma europea y puede, por lo tanto, usarse también en enchufes hembra sin conductor de tierra.

Sugerencias de seguridad

Para su propia seguridad, consulte las instrucciones de seguridad incluidas.

NORMAS DE SEGURIDAD ADICIONALES PARA LA HERRAMIENTA

Para el modo de sierra de inglete y modo de sierra de mesa (modo sierra de banco):

1. Utilice protección para los ojos y oídos. También deberá utilizar otro equipo de protección personal apropiado.
2. No se ponga NUNCA guantes durante la operación excepto para reemplazar el disco de sierra o manejar materiales bastos antes de realizar la operación.
3. Mantenga el área del suelo alrededor de la herramienta en buen estado y libre de materiales sueltos, por ejemplo, virutas y recortes de madera.
4. No utilice la sierra sin los protectores y el abridor puestos. Compruebe los protectores de disco para confirmar que se cierran debidamente antes de cada uso. No utilice la sierra si los protectores de disco no se mueven libremente y se cierran instantáneamente. No sujete ni ate los protectores de disco en la posición abierta. Cualquier operación irregular de los protectores de disco deberá ser corregida inmediatamente.
5. Limpie y tenga cuidado de no dañar el eje, bridas (especialmente la superficie de instalación) y el perno hexagonal antes o cuando instale el disco. Los daños en estas piezas podrán resultar en la rotura del disco. Una mala instalación puede ocasionar vibraciones/bamboleo o resbalamiento del disco. Utilice solamente las bridas especificadas para esta herramienta.
6. Compruebe el disco cuidadosamente para ver si tiene grietas o daños antes de comenzar la operación. No utilice un disco que esté dañado o deformado.
7. Utilice solamente discos de sierra recomendados por el fabricante y que cumplan con la norma EN847-1, y tenga en cuenta que el abridor no deberá ser más grueso que la anchura del corte hecha por el disco ni más fino que el cuerpo del disco.
8. Utilice accesorios recomendados en este manual. La utilización de accesorios no apropiados, tales como discos abrasivos, podrán ocasionarle heridas.

9. Seleccione el disco correcto para el material a cortar.
10. No utilice discos fabricados con acero rápido.
11. Para reducir el ruido emitido, asegúrese siempre de que el disco esté afilado y limpio.
12. Utilice discos de sierra correctamente afilados. Observe la velocidad máxima marcada en el disco de sierra.
13. No corte metales, tales como clavos y tornillos. Inspeccione y quite todos los clavos, tornillos y otras materias extrañas de la pieza de trabajo antes de la operación.
14. Extraiga cualquier nudo suelto de la pieza de trabajo ANTES de comenzar a cortar.
15. No utilice la herramienta en presencia de líquidos o gases inflamables.
16. Por su propia seguridad, retire las virutas, recortes de madera, etc., del área de trabajo y de la mesa superior antes de enchufar la herramienta y comenzar la operación.
17. El operario deberá estar debidamente preparado para utilizar, ajustar y manejar la herramienta.
18. Mantenga las manos, a los curiosos y su propia posición fuera de la trayectoria del disco de sierra y no en línea con ella. Evite el contacto con cualquier disco que esté girando por inercia. Todavía puede ocasionarle graves heridas por lo que nunca deberá acercarse al disco.
19. Esté alerta en todo momento, especialmente durante las operaciones repetitivas y monótonas. No se deje llevar por una falsa sensación de seguridad. Los discos no perdonan nunca.
20. Asegúrese de que el bloqueo del eje esté suelto antes de activar el interruptor.
21. Antes de utilizar la herramienta en una pieza de trabajo definitiva, déjala funcionar durante un rato. Observe para ver si hay vibración o bamboleo que pueda indicar una incorrecta instalación o un disco mal equilibrado.
22. Espere hasta que el disco alcance plena velocidad antes de cortar.
23. La herramienta deberá ser utilizada para acanalar, machimbrar y ranurar.
24. Absténgase de retirar cualquier recorte de madera u otras partes de la pieza de trabajo del área de corte mientras la herramienta esté en marcha y la cabeza de la sierra no esté en posición de descanso.
25. Pare la operación inmediatamente si nota algo anormal.
26. Apague la herramienta y espere hasta que el disco de sierra se pare antes de mover la pieza de trabajo o cambiar los ajustes.
27. Desenchufe la herramienta antes de cambiar el disco, hacer el mantenimiento o cuando no la esté utilizando.

28. El polvo de las operaciones de corte algunas veces contiene productos químicos que se sabe ocasionan cáncer, defectos de nacimiento u otros peligros relacionados con la reproducción. Algunos ejemplos de estos productos químicos son:
- plomo de materiales pintados con pinturas que contengan plomo y,
 - arsénico y cromo de maderas tratadas químicamente.
- El riesgo al que se expone variará, dependiendo de la frecuencia con la que realice este tipo de trabajo. Para reducir la exposición a estos productos químicos: trabaje en un área bien ventilada y póngase el equipo de seguridad indicado, tal como esas máscaras contra el polvo que están especialmente diseñadas para filtrar partículas microscópicas.
29. Conecte la herramienta a un dispositivo de recogida de polvo cuando corte.

Cuando utilice en el modo de sierra de inglete:

30. No utilice la sierra para cortar algo que no sea madera, aluminio o materiales similares.
31. No realice operaciones a pulso cuando esté cortando una pieza de trabajo en un área cerca del disco. La pieza de trabajo deberá estar firmemente sujeta contra la base giratoria y la guía lateral durante todas las operaciones.
32. Asegúrese de que la base giratoria esté debidamente sujeta de forma que no se mueva durante la operación.
33. Asegúrese de que el brazo esté firmemente fijado cuando haga cortes en bisel. Apriete la palanca hacia la derecha para fijar el brazo.
34. Antes de activar el interruptor asegúrese de que el disco no hace contacto con la base giratoria en la posición más baja y de que tampoco está tocando la pieza de trabajo.
35. Sujete la empuñadura firmemente. Tenga en cuenta que la sierra se mueve ligeramente hacia arriba o hacia abajo durante el inicio y la parada.
36. Sustituya la placa de corte cuando se desgaste.

Cuando utilice en el modo de sierra de mesa (modo sierra de banco):

37. No realice ninguna operación a pulso. A pulso significa utilizar las manos para sujetar o guiar la pieza de trabajo, en lugar de con una guía para cortar al hilo.
38. Asegúrese de que el brazo esté firmemente fijado en la posición de trabajo. Apriete la palanca hacia la derecha para fijar el brazo.
39. Utilice un listón de empuje o un bloque de empuje para evitar trabajar con las manos y los dedos cerca del disco.
40. Asegúrese de que la mesa de sierra de banco esté firmemente fijada a la altura elegida.
41. Antes de activar el interruptor asegúrese de que el disco no esté haciendo contacto con el abridor o la pieza de trabajo.
42. Guarde siempre el listón de empuje cuando no lo esté utilizando.

43. Preste atención especial a las instrucciones que explican cómo reducir el riesgo de RETROCESOS BRUSCOS. El RETROCESO BRUSCO es una reacción repentina debida a un aprisionamiento, estancamiento o desalineación del disco. El RETROCESO BRUSCO ocasiona la expulsión de la pieza de trabajo por la parte trasera de la herramienta hacia el operario. LOS RETROCESOS BRUSCOS PUEDEN ACARREAR HERIDAS PERSONALES GRAVES. Evite los RETROCESOS BRUSCOS manteniendo el disco afilado, la guía para cortar al hilo paralela al disco, el abridor y el protector de disco en su lugar y funcionando debidamente, no soltando la pieza de trabajo hasta que la haya empujado más allá del disco, y no cortando al hilo una pieza de trabajo que esté retorcida o alabeada o que no tenga un borde recto para guiarla a la largo de la guía lateral.
44. Evite avanzar la pieza de trabajo de forma abrupta o rápida. Cuando corte piezas de trabajo duras desplácelas lo más lentamente posible. No fuerza ni retuerza la pieza de trabajo al avanzarla. Si para o atasca el disco en la pieza de trabajo, apague la herramienta inmediatamente. Desenchufe la herramienta. Después quite el atasco.

GUARDE ESTAS INSTRUCCIONES.

INSTALACIÓN

PRECAUCIÓN:

- Mantenga el área del suelo alrededor de la herramienta en buen estado y libre de materiales sueltos, tales como virutas y recortes de madera.

Instalación de la placa auxiliar (Fig. 1 y 2)

Instale la placa auxiliar utilizando la muesca en la base de la herramienta y sujétela apretando el perno hexagonal.

Montaje en banco de trabajo (Fig. 3)

Esta herramienta se deberá fijar con dos pernos en una superficie nivelada y estable utilizando los agujeros para pernos provistos en la base de la herramienta. Esto ayudará a evitar que se vuelque y pueda ocasionar heridas.

DESCRIPCIÓN DEL FUNCIONAMIENTO

PRECAUCIÓN:

- Asegúrese siempre de que la herramienta esté apagada y desenchufada antes de ajustar o comprobar cualquier función de la herramienta.

Protector de disco (Fig. 4 y 5)

PRECAUCIÓN:

- Asegúrese de que la empuñadura no pueda ser bajada sin empujar hacia la izquierda la palanca cercana a la empuñadura.
- Asegúrese de que los protectores de disco inferiores A y B no se abran a menos que la palanca cercana a la empuñadura sea empujada en la posición máxima superior de la empuñadura.

Si baja la empuñadura al mismo tiempo que empuja la palanca hacia la izquierda, el protector de disco inferior A se elevará automáticamente. El protector de disco inferior B se eleva al hacer contacto con la pieza de trabajo. Los protectores de disco inferiores se accionan por resorte por lo que retornarán a su posición original cuando se complete el corte y se suba la empuñadura. El protector de disco superior quedará plano en la parte superior después de que la pieza de trabajo haya pasado por debajo de él. **NO ANULE NI QUITE NUNCA LOS PROTECTORES DE DISCO INFERIORES, EL RESORTE QUE HAY EN EL PROTECTOR DE DISCO INFERIOR, NI EL PROTECTOR DE DISCO SUPERIOR.**

Por su propia seguridad personal, mantenga cada protector de disco siempre en buena condición. Cualquier operación irregular de los protectores de disco deberá ser corregida inmediatamente. Compruebe para asegurarse de que los protectores de disco retornan accionados por resorte. **NO UTILICE NUNCA LA HERRAMIENTA SI LOS PROTECTORES DE DISCO INFERIORES, EL RESORTE O EL PROTECTOR DE DISCO SUPERIOR ESTÁN DAÑADOS, DEFECTUOSOS O HAN SIDO QUITADOS. HACER ESTO ES MUY PELIGROSO Y PUEDE OCASIONAR HERIDAS PERSONALES GRAVES.**

Si cualquiera de estos protectores de disco transparentes se ensucia, o si se adhiere a ellos serrín de tal forma que no pueda verse fácilmente el disco, desenchufe la herramienta y limpie los protectores cuidadosamente con un paño húmedo. No utilice disolventes ni productos de limpieza a base de petróleo para limpiar el protector de plástico.

Si el protector de disco inferior A está especialmente sucio y no se ve bien a través del mismo, proceda de la forma siguiente. Fije la mesa superior en la posición completamente elevada, suba la empuñadura completamente, empuje el pasador de retención totalmente hacia dentro con la empuñadura totalmente subida, y afloje el perno hexagonal que sujeta la cubierta central utilizando la llave de tubo suministrada. Afloje el perno hexagonal girándolo hacia la izquierda y suba el protector de disco inferior A y la cubierta central a la vez que empuja la palanca hacia la izquierda. Con el protector de disco inferior A en esta posición, la limpieza se puede hacer de forma más completa y eficiente. Cuando haya completado la limpieza, invierta el procedimiento de arriba y apriete el perno.

En el mismo caso que el explicado arriba para el protector de disco superior, afloje con un destornillador el tornillo que lo sujeta y quite el protector de disco superior. Después de la limpieza, reinstálelo siempre firmemente apretando el tornillo hasta el punto en el que el protector de disco superior se mueva suavemente hacia arriba o hacia abajo.

Si cualquiera de estos protectores de disco se decoloran con el paso del tiempo o la exposición a luz ultravioleta, póngase en contacto con un centro de servicio Makita para adquirir uno nuevo. **NO ANULE NI QUITE LOS PROTECTORES.**

Para mantener la máxima capacidad de corte (Fig. 6 y 7)

Esta herramienta se ajusta en fábrica para lograr su capacidad de corte máxima con un disco de sierra de 260 mm.

Cuando instale un disco nuevo, compruebe siempre la posición límite inferior del disco, y si es necesario, ajústela de la forma siguiente:

PRECAUCIÓN:

- Cuando vaya a hacer este ajuste, ponga la mesa superior en la posición más baja después de desenchufar la herramienta.

En primer lugar, desenchufe la herramienta. Ponga la mesa superior en la posición más baja. Baje la empuñadura completamente. Gire el perno de ajuste que podrá encontrar abajo en el agujero más grande de la mesa superior utilizando la llave de tubo hasta que la periferia del disco esté ligeramente por debajo de la parte superior de la base giratoria en el punto donde la cara delantera de la guía lateral se encuentra con la parte superior de la base giratoria.

Con la herramienta desenchufada, gire el disco con la mano a la vez que sujeta la empuñadura bajada completamente para asegurarse de que el disco no hace contacto con ninguna parte de la base inferior. Reajuste ligeramente, si es necesario.

PRECAUCIÓN:

- Después de instalar un disco nuevo, asegúrese siempre de que el disco no haga contacto con ninguna parte de la base inferior cuando la empuñadura esté bajada completamente. Haga esto siempre con la herramienta desenchufada.

Ajuste del ángulo de inglete (Fig. 8)

Afloje el mango girándolo hacia la izquierda. Gire la base giratoria a la vez que presiona hacia abajo la palanca de bloqueo. Cuando haya movido el mango a la posición donde el puntero apunta al ángulo deseado en la escala de inglete, apriete firmemente el mango hacia la derecha.

PRECAUCIÓN:

- Cuando vaya a girar la base giratoria, asegúrese de subir la empuñadura completamente.
- Después de cambiar el ángulo de inglete, sujete siempre la base giratoria apretando el mango completamente.

Ajuste del ángulo de bisel (Fig. 9 y 10)

Para ajustar el ángulo de bisel, afloje la palanca de la parte trasera de la herramienta moviéndola hacia la izquierda.

Empuje la empuñadura hacia la izquierda para inclinar el disco hasta que el puntero apunte al ángulo deseado en la escala de bisel. Después apriete la palanca hacia la derecha para sujetar el brazo.

PRECAUCIÓN:

- Cuando vaya a inclinar el disco de sierra, asegúrese de subir la empuñadura completamente.
- Después de cambiar el ángulo de bisel, sujete siempre el brazo apretando la palanca hacia la derecha.

Accionamiento del interruptor (Fig. 11)

PRECAUCIÓN:

- Antes de la operación, asegúrese de que la herramienta se enciende y apaga.

Para poner en marcha la herramienta, presione el botón ON (I). Para pararla, presione el botón OFF (O).

Iluminación de las lámparas (Fig. 11 y 12)

Para el modelo LH1040F solamente

Pulse la posición superior del interruptor para encender la luz y la posición inferior para apagarla.

PRECAUCIÓN:

- No mire a la luz ni vea la fuente de luz directamente.

NOTA:

- Utilice un paño seco para quitar de la suciedad de la lente de la lámpara. Tenga cuidado de no rayar la lente de la lámpara, porque podrá disminuir la iluminación.

Ajuste del nivel de la mesa superior (Fig. 13)

Para ajustar el nivel de la mesa superior, afloje las dos palancas girándolas hacia la izquierda y después suba o baje la mesa superior. Apriete estas palancas firmemente después del ajuste.

ADVERTENCIA:

- Ponga la mesa superior en la posición máxima superior cuando utilice la herramienta en el modo de sierra de inglete y en la posición deseada cuando la utilice en el modo de sierra de mesa (modo sierra de banco).

MONTAJE

PRECAUCIÓN:

- Asegúrese siempre de que la herramienta esté apagada y desenchufada antes de realizar cualquier trabajo en ella.

Instalación o desmontaje del disco

PRECAUCIÓN:

- Asegúrese siempre de que la herramienta esté apagada y desenchufada antes de instalar o desmontar el disco.
- Utilice solamente la llave de tubo Makita provista para instalar o desmontar el disco. De lo contrario, podrá producirse apretamiento excesivo o insuficiente del perno hexagonal. Esto podría ocasionarle heridas.

Sujete la mesa superior en la posición más alta.

Bloquee la empuñadura en la posición levantada empujando hacia dentro el pasador de retención. (Fig. 14)

Para quitar el disco, primero afloje el tornillo de apriete de forma que el protector de disco inferior B esté bajado como se muestra en la figura. (Fig. 15)

Después utilice la llave de tubo para aflojar el perno hexagonal que sujeta la cubierta central girándolo hacia la izquierda. Suba el protector de disco inferior A y la cubierta central a la vez que empuja hacia la izquierda la palanca cercana a la empuñadura. (Fig. 16)

Presione el bloqueo del eje para bloquear el eje y utilice la llave de tubo para aflojar el perno hexagonal hacia la derecha. Después quite el perno hexagonal, brida exterior y disco. (Fig. 17)

Para instalar el disco, móntelo con cuidado en el eje, asegurándose de que la dirección de la flecha en la superficie del disco coincida con la dirección de la flecha en la caja del disco. Instale la brida exterior y perno hexagonal, y después utilizando la llave de tubo apriete el perno hexagonal (rosca hacia la izquierda) firmemente hacia la izquierda a la vez que presiona el bloqueo del eje. (Fig. 18 y 19)

NOTA:

- Cuando instale el disco, asegúrese de insertarlo primero desde el exterior del protector de disco B y después súbalo de forma que finalmente quede colocado en el protector de disco B.

Para todos los países excepto los países europeos

PRECAUCIÓN:

- El anillo plateado de 25,4 mm de diámetro exterior se instala en fábrica en el eje. El disco negro de 25 mm de diámetro exterior se incluye como equipo estándar. Antes de montar el disco en el eje, asegúrese siempre de que esté instalado en el eje el anillo correcto para el agujero del disco que vaya a utilizar. (Fig. 20)

Para países europeos

PRECAUCIÓN:

- El anillo de 30 mm de diámetro exterior se instala en fábrica entre las bridas interior y exterior. (Fig. 20)

Devuelva el protector de disco inferior A y la cubierta central a sus posiciones originales. Después apriete el perno hexagonal hacia la derecha para sujetar la cubierta central. Suba el protector de disco B a tope y apriete el tornillo de apriete firmemente a la vez que lo sujeta en la posición subida. Baje la empuñadura para asegurarse de que los protectores de disco inferiores se mueven debidamente. Asegúrese de que el bloqueo del eje ha liberado el eje antes de hacer el corte.

Ajuste del abridor

Antes de ajustar el abridor, afloje las dos palancas girándolas hacia la izquierda y presione la mesa superior en el lado derecho cerca del abridor hasta su posición bajada. Después sujete la mesa superior reapretando firmemente las dos palancas como se muestra en la figura. (Fig. 21)

Deberá de haber una holgura de unos 4 – 5 mm entre el abridor y los dientes del disco. Ajuste el abridor en consecuencia aflojando los dos pernos hexagonales hacia la izquierda con la llave de tubo hexagonal y midiendo la distancia. Apriete los pernos hexagonales firmemente, y después compruebe que el protector de disco superior funciona suavemente antes de cortar. (Fig. 22)

El abridor ha sido instalado antes de salir de fábrica de forma que el disco y el abridor están en línea recta. (Fig. 23)

PRECAUCIÓN:

- Si el disco y el abridor no están alineados debidamente, podrá producirse una peligrosa condición de aprisionamiento durante la operación. Asegúrese de que estén debidamente alineados. Si utiliza la herramienta sin el abridor debidamente alineado podrá sufrir graves heridas personales. Si por alguna razón no están alineados, pida siempre a un centro de servicio Makita que se la reparen.

Instalación y ajuste de la guía para cortar al hilo

1. Instale la guía para cortar al hilo en la mesa de forma que el soporte de la guía para cortar al hilo se acople con el carril guía. Apriete el tornillo de apriete (B) de la guía para cortar al hilo firmemente hacia la derecha.
2. Afloje el tornillo de apriete (A).
3. Deslice la guía para cortar al hilo y sujétela de forma que el extremo lejano desde usted de la guía para cortar al hilo esté alineado con el punto en el que el borde delantero del disco aparezca justamente por la parte superior de la pieza de trabajo. El motivo de este ajuste es reducir el riesgo de un retroceso brusco hacia el operario al quedarse aprisionado el trozo de madera cortado de la pieza de trabajo entre el disco y la guía para cortar al hilo y finalmente expulsado hacia el operario. La línea 3 variará según el grosor de la pieza de trabajo o el nivel de la mesa. Ajuste la posición de la guía para cortar al hilo de acuerdo con el grosor de la pieza de trabajo. Después de ajustar la guía para cortar al hilo, apriete el tornillo de apriete (A) firmemente. (Fig. 24 y 25)

NOTA:

- Hay cuatro patrones para poner la guía para cortar al hilo como se muestra en la figura. (Fig. 26) La guía para cortar al hilo tiene dos hendiduras en sus costados, una hendidura con una banda elevada cerca en el mismo lado y la otra sin ella. Utilice la superficie de la guía para cortar al hilo con esta banda encarada hacia la pieza de trabajo solamente cuando corte un trozo de una pieza de trabajo fina.
- Para cambiar el patrón de la guía para cortar al hilo, quite la guía para cortar al hilo del soporte de guía para cortar al hilo aflojando el tornillo de apriete (A) y cambie la cara de la guía para cortar al hilo hacia el soporte de la guía para cortar al hilo de forma que la guía para cortar al hilo quede encarada hacia el soporte de la guía para cortar al hilo de acuerdo con su tarea como se muestra en la figura. Inserte la tuerca cuadrada del soporte de la guía para cortar al hilo en el extremo trasero de una de las hendiduras de la guía para cortar al hilo de forma que encajen como se muestra en la figura.

Para cambiar el patrón A o B al patrón C o D, o al contrario, quite la tuerca cuadrada, arandela y tornillo de apriete (A) del soporte de la guía para cortar al hilo, después ponga el tornillo de apriete (A), arandela y tuerca cuadrada en la posición opuesta al soporte de la guía para cortar al hilo en comparación con la posición original. Apriete el tornillo de apriete (A) firmemente después de insertar la tuerca cuadrada del soporte de la guía para cortar al hilo en la hendidura de la guía para cortar al hilo. Inserte la tuerca cuadrada del soporte de la guía para cortar al hilo en el extremo trasero de una de las hendiduras de la guía para cortar al hilo de forma que encajen como se muestra en la figura. (Fig. 27)

La guía para cortar al hilo sale ajustada de fábrica paralela a la superficie del disco. Asegúrese de que está paralela. Para comprobar y asegurarse de que la guía para cortar al hilo está paralela al disco. Baje la mesa a su posición más baja de forma que el disco aparezca en la posición máxima superior de la mesa. Marque uno de los dientes del disco con una tiza. Mida la distancia (A) y (B) entre la guía para cortar al hilo y el disco. Tome ambas medidas utilizando el diente marcado con la tiza. (Fig. 28) Estas dos medidas deberán ser idénticas. Si la guía para cortar al hilo no está paralela al disco, proceda de la forma siguiente: (Fig. 29)

1. Gire los dos tornillos de ajuste hacia la izquierda.
2. Mueva el borde trasero de la guía para cortar al hilo ligeramente hacia la derecha o izquierda hasta que quede paralelo al disco.
3. Apriete los dos tornillos de la guía para cortar al hilo firmemente.

PRECAUCIÓN:

- Asegúrese de ajustar la guía para cortar al hilo de forma que quede paralela al disco o podrá producirse un peligroso retroceso brusco.
- Asegúrese de ajustar la guía para cortar al hilo de forma que no haga contacto con el protector de disco superior ni el disco. (Fig. 30)

Bolsa de polvo

La utilización de la bolsa de polvo permite realizar operaciones de corte limpias y recoger fácilmente el polvo. Para colocar la bolsa de polvo, encájela en la boquilla de polvo. (Fig. 31)

NOTA:

- En el modo de sierra de inglete, inserte siempre la bolsa de polvo en la boquilla trasera solamente.

Cuando la bolsa de polvo esté medio llena, quítela de la herramienta y extraiga el cierre. Vacíe la bolsa de polvo golpeándola ligeramente con objeto de extraer las partículas adheridas en el interior para que no impidan la posterior recogida de polvo. (Fig. 32)

Si conecta un aspirador a su sierra, podrá realizar operaciones más eficaces y limpias.

Para instalar la cubierta del disco cuando utilice en el modo de sierra de mesa (modo sierra de banco), gire la base giratoria al ángulo de inglete de 0° (consulte la sección titulada "Ajuste del ángulo de inglete") y ponga la cubierta del disco en la mesa giratoria de forma que la cubierta del disco esté centrada sobre la hendidura para la entrada del disco en la mesa giratoria y después bloquee la empuñadura en la posición más baja empujando a tope el pasador de retención como se muestra en la figura. (Fig. 33)

NOTA:

- Para colocar la bolsa de polvo en la boquilla de polvo delantera en el modo de sierra de mesa (modo sierra de banco), primero quite la tapa de la boquilla de polvo delantera y después ponga la bolsa de polvo en la boquilla de polvo.
- Cuando no esté utilizando la bolsa de polvo, ponga siempre otra vez la tapa a la boquilla de polvo delantera. Si no lo hace el polvo saldrá despedido por la boquilla.
- Cuando utilice la herramienta en el modo de sierra de mesa (modo sierra de banco), asegúrese de que la cubierta del disco esté instalada en la base giratoria.

Sujeción de la pieza de trabajo

Siempre que sea posible, sujete la pieza de trabajo con una mordaza opcional. Si tiene que utilizar su mano para sujetar la pieza de trabajo, deberá hacerlo firmemente y con seguridad de forma que no pierda el control de la pieza de trabajo. Su mano y brazo deberán ser mantenidos bien alejados del área del disco (100 mm mínimo). Apriete la pieza de trabajo firmemente contra la guía lateral con sus dedos mantenidos encima de la parte superior de la guía lateral. La pieza de trabajo también deberá descansar firmemente sobre la base giratoria.

ADVERTENCIA:

- No utilice nunca su mano para sujetar una pieza de trabajo que requiera acercar su mano más de 100 mm del área del disco. En este caso, utilice siempre una mordaza de banco opcional para sujetar la pieza de trabajo. Después de cualquier operación de corte, suba el disco con cuidado. No suba nunca el disco hasta que se haya parado completamente. Podría producirle heridas graves.

PRECAUCIÓN:

- Cuando corte piezas de trabajo largas, utilice apoyos que sean tan altos como el nivel de la parte superior de la base giratoria. No confíe únicamente en la mordaza vertical y/o mordaza horizontal (ambas opcionales) para sujetar la pieza de trabajo. (Fig. 34)
Este material tiende a combarse. Apoye la pieza de trabajo en su entera longitud para evitar que el disco se trabe y ocurra un posible RETROCESO BRUSCO.

Mordaza vertical (accesorio opcional) (Fig. 35)

La mordaza vertical se puede instalar en dos posiciones tanto en el lado derecho como el izquierdo de la guía lateral o el conjunto del soporte (accesorio opcional). Inserte la barra de la mordaza en el agujero de la guía lateral o del conjunto del soporte y apriete el tornillo para sujetar la barra de la mordaza.

Posicione el brazo de la mordaza de acuerdo con el grosor y forma de la pieza de trabajo y sujete el brazo de la mordaza apretando el tornillo. Si el tornillo que sujeta el brazo de la mordaza toca la guía lateral, instale el tornillo en el lado opuesto del brazo de la mordaza. Asegúrese de que ninguna parte de la herramienta haga contacto con la mordaza cuando baje la empuñadura a tope. Si alguna parte toca la mordaza, reposicione la mordaza. Presione la pieza de trabajo a ras contra la guía lateral y la base giratoria. Ponga la pieza de trabajo en la posición de corte deseada y sujétela firmemente apretando el pomo de la mordaza.

PRECAUCIÓN:

- La pieza de trabajo deberá estar firmemente sujeta contra la base giratoria y la guía lateral.

Mordaza horizontal (accesorio opcional) (Fig. 36)

La mordaza horizontal se puede instalar o bien en el lado izquierdo o bien en el derecho de la base. Cuando quiera hacer cortes en inglete de 15° o más, instale la mordaza horizontal en el lado opuesto a la dirección en la que vaya a ser girada la base giratoria. Girando el pomo de la mordaza hacia la izquierda se afloja el tornillo y el eje se puede mover rápidamente hacia dentro y hacia fuera. Girando el pomo de la mordaza hacia la derecha, el tornillo se mantiene apretado. Para sujetar la pieza de trabajo, gire el pomo de la mordaza suavemente hacia la derecha hasta que la proyección alcance su máxima posición superior, después apriete firmemente. Si fuerza el pomo de la mordaza o lo saca mientras lo esté girando hacia la derecha, la proyección podrá quedar en ángulo. En este caso, vuelva a girar el pomo de la mordaza hacia la izquierda hasta que se suelte el tornillo, antes de girar otra vez suavemente hacia la derecha.

La anchura máxima de la pieza de trabajo que se puede sujetar con la mordaza horizontal es de 130 mm.

Soportes y conjuntos de soportes (accesorios opcionales)

Los soportes y los conjuntos de soportes se pueden instalar en cualquiera de los lados como medio útil para sujetar piezas de trabajo horizontalmente. Instáloslos como se muestra en la figura. Después apriete los tornillos firmemente para sujetar los soportes y los conjuntos de soporte. (Fig. 37)

Cuando corte piezas de trabajo largas, utilice el conjunto de barra de soporte (accesorio opcional). Éste consiste en dos conjuntos de soporte y dos barras de 12. (Fig. 38)

PRECAUCIÓN:

- Apoye siempre las piezas de trabajo largas a nivel con la superficie de la base giratoria para realizar cortes precisos y evitar una peligrosa pérdida del control de la herramienta.

OPERACIÓN

PRECAUCIÓN:

- Antes de utilizar, asegúrese de liberar la empuñadura de la posición bajada tirando del pasador de retención.
- Asegúrese de que el disco no esté haciendo contacto con la pieza de trabajo, etc., antes de activar el interruptor.

CORTE COMO SIERRA DE INGLETE

ADVERTENCIA:

- Cuando utilice la herramienta en el modo de sierra de inglete, sujete la mesa superior en la posición máxima superior sin que el disco sobresalga nunca por la parte superior de la mesa superior.

PRECAUCIÓN:

- No ejerza presión excesiva en la empuñadura cuando corte. Una fuerza excesiva podrá resultar en una sobrecarga del motor y/o reducir la eficacia de corte. Empuje hacia abajo la empuñadura con la fuerza únicamente necesaria para cortar suavemente y sin reducir significativamente la velocidad del disco.
- Presione hacia abajo suavemente la empuñadura para realizar el corte. Si presiona hacia abajo la empuñadura con fuerza o si ejerce fuerza lateral, el disco vibrará y dejará una marca (marca de sierra) en la pieza de trabajo y se deteriorará la precisión del corte.

1. Corte por presión (Fig. 39)

Sujete la pieza de trabajo contra la guía lateral y mesa giratoria.

Encienda la herramienta sin que el disco esté tocando nada y espere hasta que el disco adquiera plena velocidad antes de bajarlo. Después baje suavemente la empuñadura hasta la posición totalmente bajada para cortar la pieza de trabajo. Cuando haya completado el corte, apague la herramienta y ESPERE HASTA QUE EL DISCO SE HAYA PARADO COMPLETAMENTE antes de devolver el disco a su posición completamente elevada.

2. Corte en inglete

Consulte la sección "Ajuste del ángulo de inglete" explicada más atrás.

3. Corte en bisel (Fig. 40)

Afloje la palanca e incline el disco para establecer el ángulo de bisel (consulte la sección "Ajuste del ángulo de bisel" explicada más atrás.) Asegúrese de apretar la palanca firmemente para sujetar de forma segura el ángulo de bisel seleccionado. Sujete la pieza de trabajo contra la guía lateral y mesa giratoria. Asegúrese de que el carro esté empujado completamente hacia usted. Encienda la herramienta sin que el disco esté tocando nada y espere hasta que el disco adquiera plena velocidad. Después baje con cuidado la empuñadura hasta la posición completamente bajada mientras aplica presión en dirección paralela al disco. Cuando haya completado el corte, apague la herramienta y ESPERE HASTA QUE EL DISCO SE HAYA PARADO COMPLETAMENTE antes de devolver el disco a su posición completamente elevada.

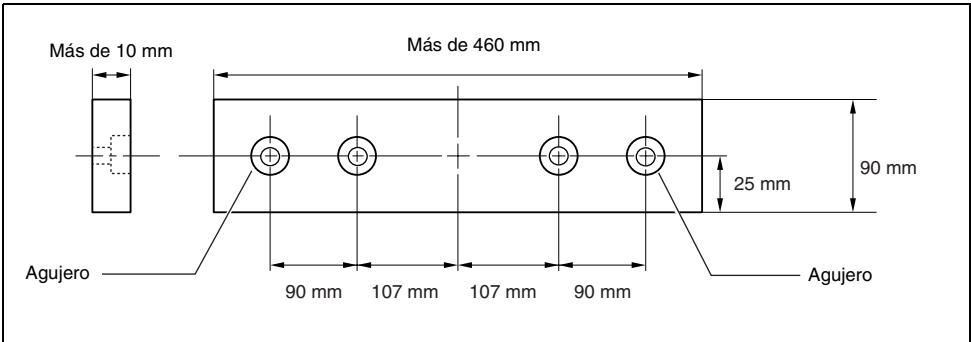
PRECAUCIÓN:

- Asegúrese siempre de que el disco se moverá hacia abajo en la dirección del bisel durante un corte en bisel. Mantenga las manos alejadas de la trayectoria del disco.

6. Guarnición de madera

La utilización de la guarnición de madera ayuda a conseguir cortes sin astillar la pieza de trabajo. Coloque la guarnición de madera en la guía lateral utilizando los agujeros de la guía lateral.

Consulte la figura referente a las dimensiones para elegir una guarnición de madera sugerida.



- Durante un corte en bisel, se podrá crear una condición en la que la pieza cortada quede apoyada contra el costado del disco. Si sube el disco mientras aún está girando, esta pieza podrá ser pillada por el disco, haciendo que salgan despedidos fragmentos que pueden resultar peligrosos. El disco SOLAMENTE deberá ser subido después de que se haya parado completamente.
- Cuando presione hacia abajo la empuñadura, ejerza presión paralela al disco. Si la presión no es paralela al disco durante el corte, el ángulo del disco podrá cambiar y la precisión del corte se deteriorará.

4. Corte compuesto

El corte compuesto es el procedimiento en el que se hace un ángulo de bisel al mismo tiempo que se corta un ángulo de inglete en una pieza de trabajo. El corte compuesto se puede realizar a los ángulos mostrados en la tabla.

Ángulo de bisel	Ángulo de inglete
45°	Izquierda y Derecha 0° – 45°

Cuando quiera realizar un corte compuesto, consulte las explicaciones de "Corte por presión", "Corte en inglete" y "Corte en bisel".

5. Corte de extrusiones de aluminio (Fig. 41)

Cuando sujete extrusiones de aluminio, utilice bloques espaciadores o trozos de madera de desecho como se muestra en la figura para evitar la deformación del aluminio. Cuando corte extrusiones de aluminio utilice un lubricante para operaciones de corte para evitar la acumulación de material de aluminio en el disco.

PRECAUCIÓN:

- No intente nunca cortar extrusiones de aluminio gruesas o redondas. Las extrusiones de aluminio gruesas pueden aflojarse durante la operación y las extrusiones de aluminio redondas no se pueden sujetar firmemente con esta herramienta.
- No corte nunca aluminio en el modo de sierra de mesa (modo sierra de banco).

PRECAUCIÓN:

- Utilice madera recta de grosor uniforme para la guarnición de madera.
- Utilice tornillos para colocar la guarnición de madera en la guía lateral. Los tornillos deberán ser instalados de forma que las cabezas de los mismos queden por debajo de la superficie de la guarnición de madera.
- Cuando esté puesta la guarnición de madera, no gire la base giratoria con la empuñadura bajada. El disco y/o la guarnición de madera se dañarán.

7. Corte de longitudes repetitivas (Fig. 42)

Cuando quiera cortar varias piezas de madera a la misma longitud, de entre 240 mm a 400 mm, la utilización de la placa de presión le ayudará a realizar una operación más eficaz. Instale la placa de presión en el soporte como se muestra en la figura.

Alinee la línea de corte de su pieza de trabajo con el lado izquierdo o derecho de la ranura en la placa de corte, y mientras sujeta la pieza de trabajo para que no se mueva, mueva la placa de presión hasta ponerla a ras contra el extremo de la pieza de trabajo. Después sujete la placa de presión con el tornillo. Cuando no utilice la placa de presión, afloje el tornillo y gire la placa de presión para que no estorbe.

NOTA:

- La utilización del conjunto de barra de soporte (accesorio opcional) permite cortar longitudes repetitivas de hasta 2.200 mm aproximadamente.

CORTE COMO SIERRA DE MESA (MODO SIERRA DE BANCO)

PRECAUCIÓN:

- Cuando utilice la herramienta en el modo de sierra de mesa (modo sierra de banco), ponga la cubierta del disco en la mesa giratoria de forma que esté centrada sobre la hendidura para la entrada del disco en la mesa giratoria y los dos bulones pequeños de la parte inferior de la cubierta del disco encajen en la hendidura semicircular en la periferia de la base giratoria como se muestra en la figura y después bloquee la empuñadura en la posición más baja empujando a tope el pasador de retención. (Fig. 43)
- Utilice siempre “elementos de ayuda” como listones de empuje y bloques de empuje cuando haya peligro de que sus manos o dedos se vayan a acercar al disco.
- No retire NUNCA la pieza de trabajo mientras el disco esté girando. Si tiene que retirar la pieza de trabajo antes de completar un corte, primero apague la herramienta mientras sujeta la pieza de trabajo firmemente. Espere hasta que el disco se haya parado completamente antes de retirar la pieza de trabajo. En caso contrario podrá ocasionar peligrosos retrocesos bruscos.
- No retire NUNCA material de recortes mientras el disco esté girando.
- No ponga NUNCA las manos ni los dedos en la trayectoria del disco.
- Sujete siempre la guía para cortar al hilo firmemente, o podrán producirse peligrosos retrocesos bruscos.

Elementos de ayuda

Los listones de empuje, bloques de empuje o guía auxiliar son tipos de “elementos de ayuda”. Utilícelos para hacer cortes sin peligro y seguros sin necesidad de que el operario tenga que acercarse cualquier parte del cuerpo al disco.

Bloque de empuje (Fig. 44)

Utilice una pieza de madera contrachapada de 15 mm. La empuñadura deberá estar en el centro de la pieza de madera contrachapada. Sujete con cola y tornillos para madera como se muestra. A la madera contrachapada deberá ir pegada siempre una pequeña pieza de madera de 10 x 9 x 30 mm para evitar que el disco se embote en caso de que el operario corte el bloque de empuje sin querer. (No utilice nunca clavos en el bloque de empuje).

Guía auxiliar (Fig. 45 y 46)

Haga la guía auxiliar con piezas de madera contrachapada de 10 y 15 mm.

Quite la guía para cortar al hilo, tornillo de apriete (A), arandela plana y tuerca cuadrada del soporte de la guía para cortar al hilo y después colóque y sujete la guía auxiliar en el soporte de la guía para cortar al hilo utilizando un perno M6 más largo que M6 x 50, arandelas y tuerca.

Corte al hilo

PRECAUCIÓN:

- Cuando corte piezas de trabajo largas o grandes, provea siempre apoyo adecuado detrás de la mesa. NO permita que un tablero largo se mueva o cambie de posición en la mesa. Ello hará que el disco se trabe y aumentará la posibilidad de que se produzca un retroceso brusco y de sufrir heridas personales. El apoyo deberá estar a la misma altura que la mesa.

1. Ajuste la profundidad de corte a un poquito más que el grosor de la pieza de trabajo. Para hacer este ajuste, afloje las dos palancas y baje o suba la mesa superior.
2. Ponga la guía para cortar al hilo a la anchura deseada del corte al hilo y sujétela apretando el tornillo de apriete (A). Antes de cortar al hilo, asegúrese de que los dos tornillos del soporte de la guía para cortar al hilo estén bien sujetos. Si no están suficientemente sujetos, reapriételes.
3. Encienda la herramienta y avance la pieza de trabajo con cuidado hacia el disco a lo largo de la guía para cortar al hilo.
 - (1) Cuando la anchura del corte al hilo sea de 40 mm o más ancha, utilice un listón de empuje. (Fig. 47)
 - (2) Cuando la anchura del corte al hilo sea más estrecha de 40 mm, no podrá utilizarse el listón de empuje porque éste golpeará al protector de disco superior. Utilice la guía auxiliar y el bloque de empuje.
Instale firmemente la guía auxiliar que va sujeta al soporte de la guía para cortar al hilo en la mesa.
Avance la pieza de trabajo con la mano hasta que el final esté a unos 25 mm del borde delantero de la mesa superior. Continúe avanzando utilizando el bloque de empuje encima de la guía auxiliar hasta completar el corte. (Fig. 48)

Transporte de la herramienta

Asegúrese de que la herramienta esté desenchufada. Sujete el disco a un ángulo de bisel de 0° y la base giratoria completamente a ángulo de inglete izquierdo. Baje la empuñadura completamente y bloquéela en la posición bajada presionando completamente hacia dentro el pasador de retención. (Fig. 49)

Transporte la herramienta cogiéndola por ambos costados de la base como se muestra en la figura. Si quita los soportes, la bolsa de polvo, etc., podrá transportar la herramienta más fácilmente. (Fig. 50)

PRECAUCIÓN:

- Sujete siempre todas las partes móviles antes de transportar la herramienta.

MANTENIMIENTO

PRECAUCIÓN:

- Asegúrese siempre de que la herramienta esté apagada y desenchufada antes de intentar realizar una inspección o mantenimiento.

ADVERTENCIA:

- Asegúrese siempre de que el disco esté afilado y limpio para obtener el mejor y más seguro rendimiento.

Ajuste del ángulo de corte

Esta herramienta ha sido ajustada y alineada cuidadosamente en fábrica, pero un manejo brusco podrá haber afectado la alineación. Si su herramienta no está debidamente alineada, realice lo siguiente:

1. Ángulo de inglete

Afloje el mango que sujeta la base giratoria. Gire la base giratoria de forma que el puntero apunte a 0° en la escala de inglete. Apriete el mango y afloje los pernos hexagonales que sujetan la guía lateral utilizando la llave de tubo. (Fig. 51)

Baje la empuñadura completamente y bloquéela en la posición bajada presionando hacia dentro el pasador de retención. Escuadre el costado del disco con la cara de la guía lateral utilizando una escuadra, cartabón, etc. Después apriete firmemente los pernos hexagonales de la guía lateral en orden desde el lado derecho. (Fig. 52)

2. Ángulo de bisel

(1) Ángulo en bisel de 0°

Baje la empuñadura completamente y bloquéela en la posición bajada presionando hacia dentro el pasador de retención. Afloje la palanca de la parte trasera de la herramienta. Gire el perno de ajuste del ángulo de bisel a 0° del lado derecho de la base giratoria dos o tres vueltas hacia la derecha para inclinar el disco hacia la derecha. (Fig. 53)

Escuadre cuidadosamente el costado del disco con la parte superior de la base giratoria utilizando la escuadra, cartabón, etc., y apriete el perno de ajuste del ángulo de bisel a 0° hacia la izquierda. (Fig. 54)

Asegúrese de que el puntero de la base giratoria apunte a 0° en la escala de bisel del brazo. Si el puntero no apunta a 0°, afloje el tornillo que sujeta el puntero y ajuste el puntero de forma que apunte a 0°. (Fig. 55)

(2) Ángulo en bisel de 45°

Ajuste el ángulo de bisel de 45° solamente después de haber realizado el ajuste del ángulo de bisel de 0°. Para ajustar el ángulo de bisel de 45°, afloje la palanca e incline el disco completamente hacia la izquierda. Asegúrese de que el puntero del brazo apunte a 45° en la escala de bisel del brazo. Si el puntero no apunta a 45°, gire el perno de ajuste del ángulo de bisel a 45° del lado izquierdo del brazo hasta que el puntero apunte a 45°. (Fig. 56)

Reemplazo de las escobillas de carbón

(Fig. 57 y 58)

Extraiga y compruebe las escobillas de carbón regularmente. Reemplácelas cuando se hayan gastado hasta la marca de límite. Mantenga las escobillas de carbón limpias y de forma que entren libremente en el portaescobillas. Ambas escobillas de carbón deberán ser reemplazadas al mismo tiempo. Utilice únicamente escobillas de carbón idénticas.

Utilice un destornillador para quitar los tapones portaescobillas. Extraiga las escobillas gastadas, inserte las nuevas y vuelva a fijar los tapones portaescobillas.

Después de la utilización

- Después de la utilización, limpie las virutas y el polvo adheridos a la herramienta con un paño o similar. Mantenga la guarda del disco limpia de acuerdo con las indicaciones de la sección ya vista titulada "Protector de disco". Lubrique las partes deslizantes con aceite para máquinas para evitar que se oxiden.

Para mantener la SEGURIDAD y FIABILIDAD del producto, las reparaciones, y cualquier otra tarea de mantenimiento o ajuste deberán ser realizadas en Centros de servicio autorizados por Makita, empleando siempre repuestos Makita.

ACCESORIOS

PRECAUCIÓN:

- Estos accesorios o acoplamientos están recomendados para utilizar con la herramienta Makita especificada en este manual. El empleo de otros accesorios o acoplamientos conllevará un riesgo de sufrir heridas personales. Utilice los accesorios o acoplamientos solamente para su fin establecido.

Si necesita cualquier ayuda para más detalles en relación con estos accesorios, pregunte al centro de servicio Makita local.

- Discos de sierra de acero y de carburo
- Placa auxiliar
- Conjunto de mordaza (Mordaza horizontal)
- Mordaza vertical
- Llave de tubo de 13
- Juego de soporte
- Conjunto de soporte
- Conjunto de barra de soporte
- Placa de presión
- Bolsa de polvo
- Escuadra
- Cubierta del disco (Cubierta de disco C)
- Listón de empuje
- Conjunto de regla (Guía lateral)

PORTUGUÊS

Explicação geral

1 Placa auxiliar	33 Seta	66 Veio do torno
2 Perno hexagonal	34 Falange exterior	67 Varão 12
3 Base	35 Falange interior	68 Torno (acessório opcional)
4 Porca	36 Veio	69 Bloco espacejador
5 Perno	37 Anel	70 Extrusão de alumínio
6 Resguardo da lâmina inferior A	38 Lâmina de abrir	71 Placa de apoio
7 Resguardo da lâmina inferior B	39 Área a pressionar	72 Pequena saliência
8 Resguardo da lâmina superior	40 Largura da lâmina	73 Fase/extremidade paralela
9 Parafuso	41 Suporte da guia paralela	74 Parafuso de madeira
10 Pega	42 Carril da guia na mesa superior	75 Cole
11 Alavanca	43 Parafuso de fixação (A)	76 Orifício (7 mm de diâmetro)
12 Chave de tubo	44 Parafuso de fixação (B)	77 Anilha
13 Perno de ajuste	45 Guia paralela	78 Porca
14 Superfície superior da base giratória	46 Suporte da guia paralela	79 Perno M6
15 Periferia da lâmina	47 Peça de trabalho	80 Varão impulsor
16 Placa guia	48 Linha a ser alinhada com	81 Guia auxiliar
17 Ponteiro	49 Porca quadrada	82 Bloco impulsor
18 Alavanca de bloqueio	50 Escala	83 Régua triangular
19 Punho	51 Dois parafusos	84 Perno de regulação de 0°
20 Escala de esquadria	52 Bocal do pó	85 Braço
21 Escala de bisel	53 Saco do pó	86 Perno de regulação do ângulo de bisel de 45°
22 Interruptor	54 Fecho	87 Marca limite
23 Interruptor da lâmpada	55 Tampa	88 Chave de parafusos
24 Lâmpadas	56 Aspirador	89 Tampa do suporte da escova
25 Pino de bloqueio	57 Cobertura da lâmina	
26 Parafuso de fixação	58 Suporte	
27 Mesa superior	59 Base giratória	
28 Caixa do motor	60 Braço do torno	
29 Cobertura central	61 Varão do torno	
30 Bloqueio do veio	62 Suporte	
31 Lâmina da serra	63 Conjunto do suporte	
32 Caixa da lâmina	64 Botão do torno	
	65 Projecção	

ESPECIFICAÇÕES

Modelo

LH1040/LH1040F

Diâmetro do disco..... 255 mm – 260 mm

Diâmetro do orifício

Para todos os países não Europeus..... 25,4 mm e 25 mm

Para países Europeus 30 mm

Capacidades máximas de corte (A x L) com lâmina de 260 mm de diâmetro no modo de serra de esquadria

Ângulo de bisel	Ângulo de esquadria	
	0°	45°
0°	69 mm x 130 mm 93 mm x 95 mm	direito 69 mm x 85 mm, 93 mm x 67 mm esquerdo 69 mm x 85 mm, 93 mm x 67 mm
45° (esquerdo)	35 mm x 130 mm 53 mm x 95 mm	direito 35 mm x 91 mm, 49 mm x 67 mm esquerdo 35 mm x 65 mm, 49 mm x 42 mm

Capacidades max. de corte a 90° na serra de mesa (modo de serra de bancada)..... 40 mm

Velocidade em vazio (min⁻¹) 4.800

Tamanho da mesa (L x C) 260 mm x 405 mm

Dimensões (C x L x A).....530 mm x 476 mm x 535 mm

Peso líquido 13,7 kg

Classe de segurança..... /II

- Devido a um programa contínuo de pesquisa e desenvolvimento, estas especificações estão sujeitas a alterações sem aviso prévio.
- Nota: As especificações podem diferir de país para país.

Fins a que se destina

Esta ferramenta foi concebida para cortes direitos precisos e (só quando utilizada como serra de esquadria na mesa inferior) cortes de esquadria em madeira.

Alimentação

A ferramenta só deve ser ligada a uma fonte de alimentação de tensão igual à indicada na placa de características, e só funciona com alimentação CA monofásica. Dispõe de isolamento duplo em conformidade com as normas europeias e pode, portanto, utilizar tomadas sem ligação à terra.

Conselhos de segurança

Para sua segurança, leia as instruções anexas.

REGRAS DE SEGURANÇA ADICIONAIS PARA A FERRAMENTA

Tanto para o modo de serra de esquadria como para a serra de mesa (serra de bancada):

1. Use protecção para os olhos e ouvidos. Também deve usar outro equipamento de protecção adequado.
2. NUNCA use luvas durante a operação excepto para substituir as lâminas da serra ou manusear material rugoso antes da operação.
3. Mantenha a área à volta da ferramenta limpa e sem aparas ou desperdícios.
4. Nunca funcione com a serra sem os resguardos ou a lâmina de abrir no seu lugar. Verifique que os resguardos da lâmina fecham correctamente antes de cada utilização. Não utilize a serra se os resguardos da lâmina não se movimentarem livremente e fecharem instantaneamente. Nunca prenda os resguardos da lâmina na posição de abertura. Qualquer operação irregular dos resguardos da lâmina deve ser corrigida imediatamente.
5. Limpe e tenha cuidado para não estragar o veio, falanges (principalmente a superfície de instalação) e perno hexagonal antes ou quando instala a lâmina. Estragar estas partes pode estragar a lâmina. Má instalação pode causar vibração/oscilação ou patinar da lâmina. Utilize só as falanges especificadas para esta ferramenta.
6. Examine a lâmina cuidadosamente antes da operação para ver se tem falhas ou está estragada. Não utilize lâminas de serra que estejam estragadas ou deformadas.
7. Só utilize lâminas de serra recomendadas pelo fabricante e que cumprem a EN847-1 e tenha em conta que a lâmina de abrir não deve mais espessa que a largura de corte feito pela lâmina da serra nem mais fina do que o corpo da lâmina.
8. Utilize os acessórios recomendados neste manual. A utilização de acessórios não adequados tal como rodas abrasivas de corte podem causar danos.
9. Seleccione a lâmina de serra correcta para o material a ser cortado.
10. Não utilize lâminas fabricadas com aço de alta velocidade.
11. Para reduzir o ruído certifique-se de que a lâmina está afiada e limpa.
12. Utilize lâminas afiadas correctamente. Observe a velocidade máxima marcada na lâmina da serra.

13. Não corte metais tal como pregos e parafusos. Inspeccione e retire todos os pregos, parafusos e outros materiais estranhos da peça antes da operação.
14. Tire todos os nós soltos da peça de trabalho ANTES de começar a cortar.
15. Não utilize a ferramenta na presença de líquidos inflamáveis ou gases.
16. Para sua segurança, retire aparas, pedaços pequenos, etc. da área de trabalho e do topo da mesa antes de ligar a ferramenta à corrente e iniciar a operação.
17. O operador deve estar adequadamente treinado na utilização, regulação e operação da ferramenta.
18. Mantenha as mãos e posicione-se ou qualquer pessoa perto, fora do rumo da serra e sem ser em linha com a lâmina da serra. Evite contacto com a lâmina a rodar por inércia. Pode ainda causar injúrias e não se aproxime da lâmina.
19. Esteja sempre alerta, especialmente durante operações repetitivas, monótonas. Não se abandone a um senso de falsa segurança. As lâminas não perdoam.
20. Certifique-se de que o travão do veio está solto antes de ligar o interruptor.
21. Antes de utilizar a ferramenta numa peça de trabalho real, deixe-a funcionar durante um pouco. Tenha cuidado com vibração ou oscilação que pode indicar má instalação ou lâmina mal equilibrada.
22. Espere até que a lâmina atinja toda a velocidade antes de cortar.
23. Não deve utilizar a ferramenta para fazer rasgos, encaixes ou ranhuras.
24. Evitar retirar bocados cortados ou outras partes da peça de trabalho da área de corte enquanto a ferramenta está a funcionar e a cabeça da serra não está na posição de descanso.
25. Páre imediatamente a operação se notar qualquer coisa de anormal.
26. Desligue a ferramenta e espere que a lâmina da serra páre antes de deslocar a peça de trabalho ou mudar os ajustes.
27. Desligue a ferramenta da corrente antes de mudar a lâmina, fazer qualquer manutenção ou quando não está em uso.
28. Algum pó criado pela operação contém químicos que podem causar cancro, defeitos de nascença ou outros males de reprodução. Alguns exemplos desses químicos são:
 - chumbo de material pintado com base de chumbo e,
 - arsénico e crómio de madeira tratada quimicamente.
29. Ligue a ferramenta a um aparelho de recolha do pó.

O risco destas exposições varia dependendo da frequência com que faz este tipo de trabalho. Para reduzir a sua exposição a estes químicos: trabalhe numa área bem ventilada e trabalhe com equipamento de protecção adequado, tal como máscaras para o pó que são especialmente concebidos para filtrar partículas microscópicas.

Quando utiliza no modo de serra de esquadria:

30. Não utilize a serra para cortar material que não seja madeira, alumínio ou material semelhante.
31. Não trabalhe com peça solta quando corta a peça de trabalho na área perto da lâmina da serra. A peça de trabalho deve ser presa firmemente contra a base giratória e a placa guia durante todas as operações.
32. Certifique-se de que a base giratória está correctamente presa de modo a que não se desloque durante a operação.
33. Certifique-se de que o braço está bem preso quando faz cortes de bisel. Aperte a alavanca para a direita para fixar o braço.
34. Certifique-se de que a lâmina não contacta a base giratória na posição inferior e não está em contacto com a peça de trabalho antes de ligar o interruptor.
35. Agarre na pega firmemente. Preste atenção a que a pega se move para cima e para baixo ligeiramente durante o arranque e a paragem.
36. Substitua a placa de corte quando estiver gasta.

Quando utiliza o modo de serra de mesa (serra de bancada)

37. Não execute qualquer operação com a ajuda das mãos. Ajuda das mãos significa utilizar as suas mãos para suportar ou guiar a peça de trabalho, em vez de utilizar uma guia paralela.
38. Certifique-se de que o braço está preso seguramente na posição de trabalho. Aperte a alavanca para a direita para fixar o braço.
39. Utilize um varão ou um bloco impulsor para evitar trabalhar com as mãos e dedos perto da serra da lâmina.
40. Certifique-se de que a mesa da serra de bancada está presa fixamente na altura desejada.
41. Certifique-se de que a lâmina não está em contacto com a lâmina de abrir ou peça de trabalho antes de ligar o interruptor.
42. Guarde sempre o varão impulsor quando o não estiver a utilizar.
43. Preste especial atenção às instruções para reduzir o risco de RECUO. RECUO é uma reacção repentina a uma lâmina presa, torcida ou mal alinhada. RECUO causa a ejeção da peça de trabalho da ferramenta para trás, na direcção do operador. RECUOS PODEM ORIGINAR DANOS PESSOAIS GRAVES. Evite RECUOS mantendo a lâmina afiada, mantendo a guia paralela paralela à lâmina, mantendo a lâmina de abrir e o resguardo da lâmina no seu lugar e a funcionarem correctamente, não soltando a peça de trabalho até que a tenha empurrado completamente até passar a lâmina e não cortando uma peça de trabalho que esteja torcida ou dobrada ou que não tenha uma extremidade direita para guiar ao longo da guia.
44. Evite alimentação abrupta, rápida. Alimente devagar quando corta peças duras. Não dobre ou torça a peça de trabalho enquanto alimenta. Se a lâmina ficar presa na peça de trabalho, desligue imediatamente a ferramenta. Desligue a ferramenta da corrente. Solte a peça.

GUARDE ESTAS INSTRUÇÕES.

INSTALAÇÃO

PRECAUÇÃO:

- Mantenha a área do chão à volta do nível da ferramenta bem limpa e sem aparas ou pedaços de corte.

Instalação da placa auxiliar (Fig. 1 e 2)

Instale a placa auxiliar utilizando a ranhura na base da ferramenta e prenda-a apertando o perno hexagonal.

Montagem na bancada (Fig.3)

A ferramenta deve ser presa utilizando dois pernos a uma superfície nivelada e estável utilizando os orifícios para os pernos existentes na base da ferramenta. Isto ajudará a evitar que se incline e possíveis danos.

DESCRIÇÃO FUNCIONAL

PRECAUÇÃO:

- Certifique-se sempre de que a ferramenta está desligada e a ficha retirada da tomada antes de regular ou verificar qualquer função da ferramenta.

Resguardo da lâmina (Fig. 4 e 5)

PRECAUÇÃO:

- Certifique-se de que a pega não pode ser descida sem empurrar a alavanca que está à esquerda da pega.
- Certifique-se de que os resguardos da lâmina inferior A e B não abrem a menos que a alavanca perto da pega seja empurrada para a posição mais superior da pega.

Quando desce a pega enquanto empurra a alavanca para a esquerda, o resguardo da lâmina inferior A levanta automaticamente. O resguardo da lâmina inferior B levanta quando contacta com a peça de trabalho. Os resguardos das lâminas inferiores têm molas e por isso voltam para a sua posição original quando o corte termina e a pega é levantada. O resguardo da lâmina superior cai direito na superfície superior depois da peça de trabalho ter passado por baixo. **NUNCA ESTRAGUE OU RETIRE OS RESGUARDOS DAS LÂMINAS INFERIORES, A MOLA QUE PRENDE O RESGUARDO DA LÂMINA INFERIOR OU O RESGUARDO DA LÂMINA SUPERIOR.**

Para sua segurança pessoal, mantenha sempre todos os resguardos das lâminas em condições. Qualquer operação irregular dos resguardos deve ser corrigida imediatamente. Verifique que a acção de mola para retorno dos resguardos da lâmina inferior funciona correctamente. **NUNCA UTILIZE A FERRAMENTA SE O RESGUARDO INFERIOR, ARRUELA OU O RESGUARDO DA LÂMINA SUPERIOR ESTIVEREM ESTRAGADOS, DEFEITUOSOS OU RETIRADOS. É EXTRAORDINARIAMENTE PERIGOSO E PODE CAUSAR DANOS PESSOAIS SÉRIOS.**

Se qualquer dos resguardos transparentes da lâmina ficarem sujos, ou partículas de pó aderirem de modo a lâmina deixe de ser facilmente visível, desligue a serra da corrente e limpe cuidadosamente os resguardos com um pano húmido. Não utilize solventes ou produtos de limpeza à base de petróleo nos resguardos de plástico.

Se o resguardo da lâmina inferior A estiver especialmente sujo e a visão através do resguardo for difícil proceda como se segue. Fixe a mesa superior na posição completamente elevada, levante a pega completamente, empurre completamente o pino de bloqueio com a pega completamente levantada e utilize a chave de tubo fornecida para libertar o perno hexagonal que prende a cobertura central. Solte o perno hexagonal rodando-o para a esquerda e levante o resguardo da lâmina inferior A e a cobertura central enquanto empurra a alavanca para a esquerda. Com o resguardo da lâmina inferior A assim posicionado, a limpeza pode ser mais completa e eficiente. Quando termina a limpeza, execute o procedimento inverso e prenda o perno.

Se for o mesmo caso acima para o resguardo da lâmina superior, solte o parafuso que o prende com uma chave de parafusos e retire o resguardo da lâmina superior. Depois da limpeza, volte a instalá-lo seguramente prendendo o parafuso de modo que o resguardo da lâmina superior se desloque para cima e para baixo.

Se qualquer destes resguardos perderem a cor com o tempo ou por exposição a luz UV, contacte um centro de assistência da Makita para um novo resguardo. NÃO TRANSFORME OU RETIRE OS RESGUARDOS.

Manutenção da capacidade máxima de corte (Fig. 6 e 7)

Esta ferramenta foi regulada na fábrica para oferecer a máxima capacidade de corte para uma lâmina de serra de 260 mm.

Quando instala uma lâmina nova, verifique sempre a posição limite inferior da lâmina e se necessário, regule como se segue:

PRECAUÇÃO:

• Quando faz este ajuste, posicione a mesa superior na posição inferior depois de desligar a ferramenta da corrente.

Primeiro, desligue a ferramenta da corrente. Posicione a mesa superior na posição inferior. Desça a pega completamente. Utilize a chave de tubo para rodar o perno de ajuste que se encontra debaixo do orifício maior na mesa superior, até que a periferia da lâmina fique ligeiramente saliente debaixo da superfície superior da base giratória no ponto onde a face frontal da placa guia encontra a superfície superior da base giratória.

Com a ferramenta desligada da corrente, rode a lâmina com a mão enquanto mantém a pega completamente para baixo para se certificar de que a lâmina não contacta nenhuma parte da base inferior. Volte a regular ligeiramente se necessário.

PRECAUÇÃO:

• Depois de instalar uma lâmina nova, certifique-se sempre de que a lâmina não contacta qualquer parte da base inferior quando a pega está completamente descida. Faça sempre isto com a ferramenta desligada da corrente.

Regulação do ângulo de esquadria (Fig. 8)

Solte o punho rodando-o para a esquerda. Rode a base giratória enquanto pressiona a alavanca de bloqueio. Quando tiver deslocado o punho para a posição onde o ponteiro aponta para o ângulo desejado na escala de esquadria, aperte firmemente o punho para a direita.

PRECAUÇÃO:

• Quando roda a base giratória, certifique-se de que levanta a pega completamente.
• Depois de mudar o ângulo de esquadria, prenda sempre a base giratória apertando firmemente o punho.

Regulação do ângulo de bisel (Fig. 9 e 10)

Para regular o ângulo de bisel, liberte a alavanca na parte traseira da ferramenta para a esquerda.

Empurre a pega para a esquerda para inclinar a lâmina da serra até que o ponteiro aponte para o ângulo desejado na escala de bisel. Em seguida aperte a alavanca firmemente para a direita para prender o braço.

PRECAUÇÃO:

• Quando inclina a lâmina da serra, certifique-se de que levanta a pega completamente.
• Depois de mudar o ângulo de bisel, prenda sempre o braço apertando a alavanca.

Ação do interruptor (Fig. 11)

PRECAUÇÃO:

• Antes da operação, certifique-se de que a ferramenta liga e desliga.

Para iniciar a ferramenta, pressione o botão ON (I). Para parar, pressione o botão OFF (O).

Acender as luzes (Fig. 11 e 12)

Só para o modelo LH1040F

Empurre a posição superior do interruptor para ligar a luz e a inferior para desligar.

PRECAUÇÃO:

• Não olhe para a luz ou para a fonte de iluminação directamente.

NOTA:

• Utilize um pano seco para limpar a sujidade das lentes da lâmpada. Tenha cuidado para não riscar as lentes da lâmpada pois pode diminuir a iluminação.

Regulação do nível da mesa superior (Fig. 13)

Para regular o nível da mesa superior, solte as duas alavancas rodando-as para a esquerda e em seguida levante ou desça a mesa superior. Aperte estas alavancas firmemente depois da regulação.

AVISO:

• Posicione a mesa superior na posição mais elevada quando utiliza a ferramenta no modo de serra de esquadria e na posição desejada quando utiliza no modo de serra de mesa (serra de bancada).

MONTAGEM

PRECAUÇÃO:

• Certifique-se sempre de que a ferramenta está desligada e a ficha retirada da tomada antes de executar qualquer inspeção na ferramenta.

Instalar ou retirar a lâmina da serra

PRECAUÇÃO:

• Certifique-se sempre de que a ferramenta está desligada e a ficha retirada da tomada antes de instalar ou retirar a lâmina.
• Utilize só a chave da Makita fornecida para instalar ou retirar a lâmina. Se assim não for pode resultar em aperto excessivo ou insuficiente do perno hexagonal. Pode causar danos.

Prenda a mesa superior na posição mais elevada. Prenda a pega na posição elevada empurrando o pino de bloqueio. (Fig. 14)

Para retirar a lâmina, primeiro solte o parafuso de fixação de modo a que o resguardo da lâmina inferior B esteja descido como indicado na figura. (Fig. 15)

Em seguida utilize o chave de tubo para libertar o perno hexagonal que prende a cobertura central rodando-o para a esquerda. Levante o resguardo da lâmina inferior A e cobertura central enquanto empurra a alavanca perto da pega para a esquerda. (Fig. 16)

Pressione o bloqueio do veio para prender o eixo e utilize a chave de tubo para libertar o perno hexagonal para a direita. Em seguida retire o perno hexagonal, flange exterior e lâmina. (Fig. 17)

Para instalar a lâmina, monte-a cuidadosamente no eixo certificando-se de que a direcção da seta na superfície da lâmina corresponde à direcção da seta na caixa da lâmina. Instale a flange exterior e o perno hexagonal e em seguida utilize a chave de tubo para apertar o perno hexagonal (para a mão esquerda) seguramente para a esquerda enquanto pressiona o bloqueio do veio. (Fig. 18 e 19)

NOTA:

- Quando instala a lâmina da serra, certifique-se de que a coloca do lado de fora do resguardo da lâmina B primeiro e em seguida levante-a de modo a que a lâmina seja finalmente colocada no resguardo da lâmina B.

Para todos os países não Europeus

PRECAUÇÃO:

- O anel prateado com 25,4 mm em diâmetro exterior foi instalado na fábrica no veio. O anel preto com 25 mm de diâmetro foi incluído como equipamento normal. Antes de montar a lâmina no veio, certifique-se sempre de que o anel correcto para orifício da lâmina que pretende utilizar está instalado no veio. (Fig. 20)

Para países Europeus

PRECAUÇÃO:

- O anel com 30 mm de diâmetro foi instalado na fábrica entre as flanges interiores e exteriores. (Fig. 20)

Volte a colocar o resguardo da lâmina inferior A e a cobertura central na sua posição original. Em seguida aperte o perno hexagonal para a direita para prender a cobertura central. Levante o resguardo da lâmina B o mais possível e aperte o parafuso de fixação firmemente enquanto o agarre na posição elevada. Desça a pega para se certificar de que os resguardos da lâmina inferior se deslocam correctamente. Certifique-se de que o bloqueio do veio soltou o veio antes de fazer o corte.

Regulação da lâmina de abrir

Antes de regular a lâmina de abrir, solte as duas alavancas rodando-as para a esquerda e pressione a mesa superior no lado direito perto da lâmina de abrir para a sua posição mais baixa. Em seguida prenda a mesa superior firmemente voltando a apertar as duas alavancas como indicado na figura. (Fig. 21)

Deve haver uma abertura de cerca de 4 – 5 mm entre a lâmina de abrir e os dentes da lâmina. Regule a lâmina de abrir como desejar soltando os dois pernos hexagonais para a esquerda com a chave hexagonal e medindo a distância. Aperte os pernos hexagonais seguramente e em seguida verifique se o resguardo da lâmina superior trabalha bem antes de cortar. (Fig. 22)

A lâmina de abrir foi instalada antes de sair da fábrica de modo a que a lâmina e a lâmina de abrir estejam em linha direita. (Fig. 23)

PRECAUÇÃO:

- Se a lâmina e a lâmina de abrir não estiverem alinhadas correctamente, podem dobrar perigosamente durante a operação. Certifique-se de que estão correctamente alinhadas. Pode sofrer danos pessoais sérios quando utiliza a ferramenta sem uma lâmina de abrir alinhada correctamente. Se não estiverem alinhadas por qualquer razão, mande-as reparar a um centro de assistência da Makita.

Instalar e regular a guia paralela

1. Instale a guia paralela de modo a que o suporte da guia paralela encaixe no carril da guia. Aperte o parafuso de fixação (B) para a direita na guia paralela firmemente.
2. Solte o parafuso de fixação (A).
3. Deslize a guia paralela e prenda-a de modo a que extremidade mais afastada de si da guia esteja alinhada com o ponto em que a extremidade da frente da lâmina da serra mal aparece na superfície superior da peça de trabalho. A razão deste ajustamento é reduzir o risco de recuo para o operador da peça cortada quando fica presa entre a lâmina da serra e a guia paralela e é finalmente empurrada para o operador. A linha 3 varia em espessura da peça de trabalho ou do nível da mesa. Regule a posição da guia paralela de acordo com a espessura da peça de trabalho.
Depois de regular a guia paralela, aperte o parafuso de fixação (A) firmemente. (Fig. 24 e 25)

NOTA:

- Existem quatro modos de posicionar a guia paralela como indicado na figura. (Fig. 26) A guia paralela tem duas frestas nos seus lados, uma fresta com uma franja elevada perto no mesmo lado e a outra sem. Utilize a superfície da guia paralela com esta franja virada para a peça de trabalho só quando corta um bocado de uma peça de trabalho fina.
- Para mudar o modo da guia paralela, retire a guia paralela do suporte da guia paralela soltando o parafuso de fixação (A) e mudando o modo como a guia paralela está virada para o suporte da guia paralela, de modo a que a guia paralela esteja virada para o suporte da guia paralela de acordo com o seu trabalho como indicado na figura. Coloque a porca quadrada no suporte da guia paralela na parte traseira de cada fresta da guia paralela de modo a que encaixem como indicado na figura.

Para mudar do modo A ou B para o modo C ou D, ou caso inverso, retire a porca quadrada, arruela e parafuso de fixação (A) do suporte da guia paralela e em seguida posicione o parafuso de fixação (A), arruela e porca quadrada na posição oposta do suporte da guia paralela comparada com a posição original. Aperte o parafuso de fixação (A) firmemente depois de inserir a porca quadrada do suporte da guia paralela na fresta da guia paralela. Coloque a porca quadrada no suporte da guia paralela na extremidade de qualquer das frestas da guia paralela de modo a que encaixem como indicado na figura. **(Fig. 27)**

A guia paralela foi regulada na fábrica de modo a que esteja paralela com a superfície da lâmina. Certifique-se de que está paralela. Para se certificar que a guia paralela está paralela com a lâmina, desça a mesa para a posição mais baixa de modo a que a lâmina apareça na posição superior da mesa. Marque um dos dentes da lâmina com um lápiz. Meça a distância (A) e (B) entre a guia paralela e a lâmina. Faça as duas medições utilizando o dente marcado com o lápiz. **(Fig. 28)** Estas duas medições devem ser idênticas. Se a guia paralela não estiver paralela com a lâmina, proceda como se segue: **(Fig. 29)**

1. Rode os dois parafusos de regulação para a esquerda.
2. Desloque ligeiramente a extremidade posterior da guia paralela para a direita ou esquerda até que fique paralela com a lâmina.
3. Aperte os dois parafusos na guia paralela firmemente.

PRECAUÇÃO:

- Certifique-se de que regula a guia paralela de modo a que esteja paralela com a lâmina ou pode ocorrer um recuo perigoso.
- Certifique-se de que regula a guia paralela de modo a que não contacte com o resguardo da lâmina superior ou a lâmina da serra. **(Fig. 30)**

Saco do pó

A utilização do saco do pó torna a operação de corte limpa e recolha do pó mais fácil. Para prender o saco do pó, coloque-o no bocal do pó. **(Fig. 31)**

NOTA:

- No modo de serra de esquadria, coloque o saco do pó só na parte traseira do bocal.

Quando o saco do pó se encontrar meio cheio, retire-o da ferramenta e tire o fecho. Esvazie o saco do pó do seu conteúdo, batendo-lhe ligeiramente para remover as partículas aderentes no interior que podem dificultar a recolha. **(Fig. 32)**

Se ligar um aspirador de pó à sua serra pode executar um trabalho mais eficiente e limpo.

Para instalar a cobertura da lâmina quando utiliza o modo de serra de mesa (modo de bancada), rode a base giratória para o ângulo de esquadria de 0° (veja a secção intitulada "Regulação do ângulo de esquadria") e coloque a cobertura da lâmina na mesa giratória de modo a que a cobertura da lâmina esteja centrada sobre a fresta para a entrada da lâmina na mesa giratória e em seguida prenda a pega na posição inferior empurrando completamente o pino de bloqueio como indicado na figura **(Fig. 33)**

NOTA:

- Para prender o saco do pó ao bocal do pó da frente no modo de serra de mesa (modo de bancada), primeiro retire a tampa do bocal do pó da frente e em seguida prenda o saco do pó ao bocal.
- Quando não está a utilizar o saco do pó, volte sempre a colocar a tampa no bocal do pó da frente.
- Quando utiliza a ferramenta no modo de serra de mesa (modo de bancada), certifique-se de que a cobertura da lâmina está instalada na mesa giratória.

Prender a peça de trabalho

Sempre que possível, prenda a peça de trabalho com o torno opcional. Se precisar de usar a sua mão para agarrar a peça de trabalho, deve-o fazer firmemente e com segurança de modo a não perder o controlo da peça de trabalho. A sua mão e braço devem ser mantidos bem afastados da área da lâmina (mínimo 100 mm). Introduza a peça de trabalho firmemente contra a guia paralela com os seus dedos por cima da guia paralela. A peça de trabalho deve colocada firmemente na base giratória.

AVISO:

- Nunca utiliza as suas mãos para prender uma peça de trabalho que requer que a sua mão esteja mais perto do que 100 mm da área da lâmina. Neste caso, utilize sempre o torno opcional para prender a peça de trabalho. Depois de qualquer operação de corte, levante a lâmina gentilmente. Nunca levante a lâmina até que esteja completamente parada. Pode resultar em danos sérios.

PRECAUÇÃO:

- Quando corta peças de grande comprimento, utilize suportes que sejam da altura da face superior da base giratória. Não confie apenas no torno vertical e/ou horizontal (os dois opcionais) para fixar a peça de trabalho. **(Fig. 34)**

O material fino tende a dobrar. Apoie a peça de trabalho a todo o comprimento para evitar que a lâmina prenda e possíveis RECUOS.

Torno vertical (acessório opcional) (Fig. 35)

O torno vertical pode ser instalado em duas posições, tanto à esquerda como à direita da placa guia ou do conjunto de suporte (acessório opcional). Introduza o varão do torno no orifício na placa guia ou no conjunto de suporte e aperte o parafuso para prender o varão do torno.

Posicione o braço do torno de acordo com a espessura e forma da peça de trabalho e prenda o braço do torno apertando o parafuso. Se o parafuso para prender o braço do torno contactar a placa guia, instale o parafuso no lado oposto do braço do torno. Certifique-se de que nenhuma parte da ferramenta contacta o torno quando desce a pega completamente. Se alguma parte contactar o torno, volte a posicionar o torno.

Pressione a peça de trabalho direita contra a placa guia e a base giratória. Posicione a peça de trabalho na posição de corte desejada e prenda-a firmemente apertando o botão do torno.

PRECAUÇÃO:

- A peça de trabalho deve ser presa firmemente contra a base giratória e placa guia.

Torno horizontal (acessório opcional) (Fig. 36)

O torno horizontal pode ser instalado tanto à esquerda como à direita da base. Quando executa cortes de esquadria de 15° ou superior, instale o torno horizontal no lado oposto à direcção em que vai rodar a base giratória. Rodando o botão do torno para a esquerda, o parafuso fica solto e o eixo do torno pode ser movimentado rapidamente para fora e para dentro. Rodando o botão do torno para a direita, o parafuso mantém-se preso. Para agarrar a peça de trabalho, rode o botão do torno com cuidado até que a projecção atinja a sua posição superior e em seguida aperte-o seguramente. Se o botão do torno for forçado para dentro ou para fora enquanto está a ser rodado para a direita, a projecção pode parar num ângulo. Neste caso, volta a rodar o botão do torno para a esquerda até que o parafuso fique solto antes de o voltar a rodar cuidadosamente para a direita.

A largura máxima da peça de trabalho que pode ser presa pelo torno horizontal é 130 mm.

Suportes e conjunto de suporte (acessórios opcionais)

Os suportes e o conjunto do suporte podem ser instalados em qualquer dos lados como um meio conveniente de suportar peças de trabalho horizontalmente. Instale-as como indicado na figura. Em seguida aperte os parafusos firmemente para prender os suportes e o conjunto do suporte. (Fig. 37)

Quando corta peças de trabalho compridas utilize o conjunto suporte-varão (acessório opcional). Consiste de dois conjuntos de suporte e dois varões 12. (Fig. 38)

PRECAUÇÃO:

- Suporte sempre peças de trabalho compridas niveladas com a superfície da base giratória para cortes precisos e para evitar perigosa perda de controlo.

OPERAÇÃO

PRECAUÇÃO:

- Antes da utilização, certifique-se de que liberta a pega da sua posição inferior puxando o pino de bloqueio.
- Certifique-se de que a lâmina não está em contacto com a peça de trabalho, etc., antes de ligar o interruptor.

CORTAR COMO SERRA DE ESQUADRIA

AVISO:

- Quando utiliza a ferramenta no modo de serra de esquadria, prenda a mesa superior na posição mais elevada de modo a que a lâmina da serra nunca fique saliente da superfície superior da mesa superior.

PRECAUÇÃO:

- Não aplique pressão excessiva na pega quando corta. Força demasiada pode resultar em sobrecarga do motor e/ou diminuir a eficiência do corte. Empurre a pega para baixo só com a força necessária para um corte suave e sem diminuição significativa na velocidade da lâmina.
- Pressione suavemente a pega para baixo para executar o corte. Se a pega for pressionada para baixo com força ou se aplicar força lateral, a lâmina vibrará e deixará uma marca (marca de serra) na peça de trabalho e o corte não será preciso.

1. Corte de pressão (Fig. 39)

Prenda a peça de trabalho contra a placa guia e base giratória.

Ligue a ferramenta sem que a lâmina faça qualquer contacto e espere até que a lâmina atinja toda a velocidade antes de a descer. Em seguida desça a pega suavemente para a posição completamente descida para cortar a peça de trabalho. Quando o corte termina, desligue a ferramenta e ESPERE ATÉ QUE A LÂMINA PARE antes de a voltar a colocar na posição elevada.

2. Corte de esquadria

Refira-se à descrição prévia “Regulação do ângulo de esquadria”.

3. Corte de bisel (Fig. 40)

Solte a alavanca e incline a lâmina da serra para o ângulo de bisel regulado (Refira-se a “Regulação do ângulo de bisel” descrita anteriormente). Certifique-se de que volta a apertar a alavanca firmemente para prender seguramente o ângulo de bisel seleccionado. Prenda a peça de trabalho contra a placa guia e base giratória. Certifique-se de que o carroto está puxado completamente para trás para o operador. Ligue a ferramenta sem que a lâmina faça qualquer contacto e espere até que a lâmina atinja a velocidade máxima. Em seguida desça cuidadosamente a pega até à posição mais baixa enquanto aplica pressão em paralelo com a lâmina. Quando o corte estiver concluído, desligue a ferramenta e ESPERE ATÉ QUE A LÂMINA ESTEJA COMPLETAMENTE PARADA antes de a fazer voltar à posição totalmente elevada.

PRECAUÇÃO:

- Certifique-se sempre de que a lâmina se movimenta para baixo na direcção de bisel durante um corte de bisel. Mantenha as mãos afastadas do percurso da lâmina.
- Durante um corte de bisel pode ser criada uma condição em que a peça cortada cai encostada à lâmina. Se a lâmina for levantada enquanto ainda está a rodar, esta peça pode ser apanhada pela lâmina e estilhaçar o que pode ser perigoso. A lâmina SÓ deve ser levantada quando estiver completamente parada.
- Quando pressiona a pega para baixo, aplique pressão paralelamente à lâmina. Se a pressão não for paralela à lâmina durante o corte, o ângulo da lâmina pode mudar e o corte não será preciso.

4. Corte composto

Corte composto é o processo em que um ângulo de bisel é feito ao mesmo tempo em que um ângulo de esquadria é cortado na peça de trabalho. O corte composto pode ser executado no ângulo indicado na tabela.

Ângulo de bisel	Ângulo de esquadria
45°	Esquerdo e Direito 0° – 45°

Quando executa corte composto refira-se às explicações de “Corte de pressão”, “Corte de esquadria” e “Corte de bisel”.

5. Corte de extrusões de alumínio (Fig. 41)

Quando prenda extrusões de alumínio, utilize calços ou bocados de madeira como indicado na figura para evitar deformação do alumínio. Utilize um lubrificante de corte quando corta a extrusão de alumínio para evitar acumulação do material do alumínio na lâmina.

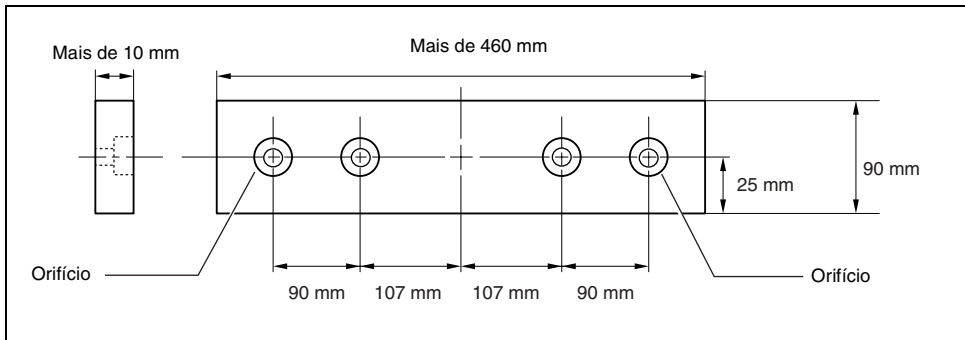
PRECAUÇÃO:

- Nunca tente cortar extrusões de alumínio espessas ou redondas. Extrusões de alumínio espessas podem soltar-se durante a operação e extrusões de alumínio redondas não podem ser seguras firmemente com esta ferramenta.
- Nunca corte alumínio no modo de serra de mesa (modo de bancada)

6. Revestimento de madeira

A utilização de um revestimento de madeira assegura que as peças de trabalho não estilhacem. Prenda um revestimento de madeira à placa guia utilizando os orifícios na placa guia.

Veja a figura relativamente às dimensões sugeridas de um revestimento de madeira.



PRECAUÇÃO:

- Utilize madeira com espessura uniforme para o revestimento de madeira.
- Utilize parafusos para prender o revestimento de madeira à placa guia. Os parafusos devem ser instalados de modo a que as cabeças dos parafusos estejam abaixo da superfície do revestimento de madeira.
- Quando o revestimento de madeira está colocado, não rode a base giratória com a pega descida. A lâmina e/ou o revestimento de madeira ficarão estragados.

7. Corte do mesmo comprimento repetidamente (Fig. 42)

Quando corta várias peças de material com o mesmo comprimento, de 240 mm a 400 mm a utilização da placa de apoio facilitará uma operação mais eficiente. Instale a placa de apoio no suporte como indicado na figura.

Alinhe a linha de corte na sua peça de trabalho com o lado esquerdo ou direito da ranhura na placa de corte e enquanto placa de apoio não estiver em utilização, solte o parafuso e rode a placa de apoio para não interferir.

NOTA:

- A utilização do conjunto suporte-varão (acessório opcional) permite cortes repetidos com o mesmo comprimento até 2.200 mm.

CORTAR COMO SERRA DE MESA (MODO DE BANCADA)

PRECAUÇÃO:

- Quando utiliza a ferramenta no modo de serra de mesa (serra de bancada), coloque a cobertura da lâmina na mesa giratória de modo a que a cobertura da lâmina esteja centrada sobre a fresta para a entrada da lâmina na mesa giratória e as duas pequenas saliências no lado de baixo da cobertura da lâmina encaixem na fresta semi-circular na periferia da mesa giratória como indicado na figura e em seguida prenda a pega na posição mais inferior empurrando o pino de bloqueio. (Fig. 43)
- Utilize sempre “ajudantes” tal como varão impulsor e blocos impulsores quando existe o perigo de que as suas mãos ou dedos cheguem perto da lâmina.
- Nunca retire a peça de trabalho enquanto a lâmina está a correr. Se necessitar de tirar a peça de trabalho antes de acabar o corte, primeiro desligue a ferramenta enquanto agarra na peça de trabalho firmemente. Espere até que a lâmina esteja completamente parada antes de tirar a peça de trabalho. Se o não fizer pode originar recuos perigosos.
- NUNCA retire bocados de material cortado enquanto a lâmina está a correr.
- NUNCA coloque a sua mão ou dedos no caminho da lâmina da serra.
- Prenda sempre a guia paralela firmemente ou pode ocorrer recuos perigosos.

Ajudantes

Varões e blocos impulsores ou guias auxiliares são tipos de "ajudantes". Utilize-os para fazer cortes seguros e certos sem a necessidade do operador contactar a lâmina com qualquer parte do corpo.

Bloco impulsor (Fig. 44)

Utilize uma peça de contraplacado com 15 mm.

A pega deve estar no centro da peça de contraplacado. Prenda com cola e parafusos de madeira como indicado. Uma peça pequena de madeira de 10 mm x 9 mm x 30 mm deve ser sempre colada ao contraplacado para evitar que a lâmina encrave se o operador por engano cortar o bloco impulsor. (Nunca use pregos no bloco impulsor.)

Guia auxiliar (Fig. 45 e 46)

Faça uma guia auxiliar com peças de contraplacado de 10 mm e 15 mm.

Retire a guia paralela, parafuso de fixação (A) arruela plana e porca quadrada do suporte da guia paralela e em seguida coloque e prenda a guia auxiliar ao suporte da guia paralela utilizando um perno M6 mais comprido do que M6 x 50, arruelas e porca.

Cortar

PRECAUÇÃO:

- Quando corta peças de trabalho comprida ou grande, suporte sempre correctamente por detrás da mesa. NÃO permita que uma placa comprida se desloque ou torça na mesa. Isso fará com que a lâmina encrave e aumenta a possibilidade de recuo e danos pessoais. O suporte deve ser da mesma altura do que a mesa.

- Regule a profundidade de corte um pouco superior que a espessura da peça de trabalho. Para fazer esta regulação, solte as duas alavancas e desça ou suba a mesa superior.
- Posicione a guia paralela na largura desejada da guia e prenda-a no seu lugar apertando o parafuso de fixação (A). Antes de cortar, certifique-se de que os dois parafusos do suporte da guia paralela estão presos. Se não estiverem suficientemente presos, volte a apertá-los.
- Ligue a ferramenta e alimenta a peça de trabalho na lâmina ao longo da guia paralela.
 - Quando a largura da guia é 40 mm ou mais, utilize um varão impulsor. (Fig. 47)
 - Quando a largura da guia é inferior a 40 mm, o varão impulsor não pode ser utilizado porque o varão impulsor baterá no resguardo da lâmina superior. Utilize a guia auxiliar e bloco impulsor. Instale seguramente a guia auxiliar que está presa ao suporte da guia auxiliar na mesa. Alimente a peça com a mão até que o fim deste a aproximadamente 25 mm da extremidade de frente da mesa superior. Continue a alimentar utilizando o bloco impulsor no topo da guia auxiliar até que o corte esteja terminado. (Fig. 48)

Transportar a ferramenta

Certifique-se de que a ferramenta está desligada da corrente. Prenda a lâmina no ângulo de bisel de 0° e a base giratória completamente no ângulo de esquadria esquerdo. Desça a pega completamente e prenda-a na posição mais baixa empurrando completamente o pino de bloqueio. (Fig. 49)

Transporte a ferramenta agarrando nos dois lados da base da ferramenta como indicado na figura. Se retirar os suportes, saco do pó, etc., pode transportar mais facilmente a ferramenta. (Fig. 50)

PRECAUÇÃO:

- Prenda sempre todas as partes móveis antes de transportar a ferramenta.

MANUTENÇÃO

PRECAUÇÃO:

- Certifique-se sempre de que a ferramenta está desligada e a ficha retirada da tomada antes de tentar executar qualquer inspeção ou manutenção.

AVISO:

- Certifique-se sempre de que a lâmina está afiada e limpa para um rendimento melhor e mais seguro.

Regulação do ângulo do corte

Esta ferramenta foi cuidadosamente regulada e alinhada na fábrica, mas manuseamento pouco cuidado pode afectar o alinhamento. Se a sua ferramenta não estiver alinhada correctamente proceda como se segue:

1. Ângulo de esquadria

Solte o punho que prenda a base giratória. Rode a base giratória de modo a que o ponteiro aponte para 0° na escala de esquadria. Aperte o punho e solte os pernos hexagonais que prendem a placa guia utilizando a chave de tubo. (Fig. 51)

Desça a pega completamente e prenda-a na posição mais baixa empurrando o pino de bloqueio. Nivele o lado da lâmina com a face da placa guia utilizando uma régua triangular, um esquadro, etc. Em seguida aperte seguramente os pernos hexagonais na placa guia na ordem do lado direito. (Fig. 52)

2. Ângulo de bisel

(1) Ângulo de bisel de 0°

Desça a pega completamente e prenda-a na posição mais baixa empurrando o pino de bloqueio. Solte a alavanca na detrás da ferramenta. Rode o perno de regulação do ângulo de bisel de 0° no lado direito da base giratória duas ou três vezes para a direita para inclinar a lâmina para a direita. (Fig. 53) Cuidadosamente nivele o lado da lâmina com a superfície superior da base giratória utilizando uma régua triangular, um esquadro, etc., rodando o perno de regulação do ângulo de bisel de 0° para a esquerda. (Fig. 54)

Certifique-se de que o ponteiro na base giratória aponta para 0° na escala de bisel no braço. Se não apontar para 0°, solte o parafuso que prende o ponteiro e regule-o de modo a que aponte para 0°. (Fig. 55)

(2) Ângulo de bisel de 45°

Regule o ângulo de bisel de 45° só depois de executar a regulação do ângulo de bisel de 0°. Para regular o ângulo de bisel à esquerda de 45°, solte a alavanca e incline a lâmina completamente para a esquerda. Certifique-se de que o ponteiro no braço aponta para 45° na escala de bisel no braço. Se o ponteiro não apontar para 45°, rode o perno de regulação do ângulo de bisel de 45° no lado esquerdo do braço até que aponte para 45°. (Fig. 56)

Substituição das escovas de carvão (Fig. 57 e 58)

Desmonte e verifique as escovas de carvão regularmente. Substitua-as quando estas apresentarem um desgaste até à marca limite. Mantenha as escovas de carvão limpas e soltas, podendo deslizar nos suportes. Ambas as escovas de carvão devem ser substituídas em simultâneo. Utilize exclusivamente escovas de carvão idênticas.

Recorra a uma chave de fendas para retirar as tampas dos suportes de escovas. Retire as escovas de carvão gastas, introduza as novas e fixe as tampas dos suportes.

Depois da utilização

- Depois da utilização, limpe as aparas e o pó que aderiu à ferramenta com um pano ou material semelhante. Mantenha o resguardo de segurança do disco limpo conforme instruções constantes da anterior secção com o título "Resguardo da lâmina". Lubrifique os componentes deslizantes com óleo de máquina para evitar a ferrugem.

Para manter a SEGURANÇA e a FIABILIDADE do produto, as reparações e qualquer outra manutenção ou ajuste devem ser levadas a cabo pelos centros de assistência Makita autorizados, utilizando sempre peças de substituição Makita.

ACESSÓRIOS

PRECAUÇÃO:

- Estes acessórios ou extensões são recomendados para utilização com a sua ferramenta Makita especificada neste manual. A utilização de quaisquer outros acessórios ou extensões pode representar um risco de lesões para pessoas. Utilize apenas um acessório ou extensão para o fim a que se destina.

Se necessitar de informações adicionais relativas a estes acessórios, solicite-as ao seu centro de assistência Makita.

- Lâminas de serra de aço e pontas de carboneto
- Placa auxiliar
- Conjunto do torno (torno horizontal)
- Torno vertical
- Chave hexagonal 13
- Apoio do suporte
- Conjunto do suporte
- Conjunto do Suporte-varão
- Placa de apoio
- Saco do pó
- Régua triangular
- Cobertura da lâmina (Resguardo da lâmina C)
- Varão impulsor
- Conjunto de régua (Guia paralela)

Illustrationsoversigt

1	Hjælpeplade	32	Klingehus	63	Holderenhed
2	Sekskantbolt	33	Pil	64	Skruenap
3	Bund	34	Udvendig flange	65	Frømspring
4	Møtrik	35	Indvendig flange	66	Skruesaksel
5	Bolt	36	Spindel	67	Stang 12
6	Nederste beskyttelseskærm A	37	Ring	68	Skruestik (ekstraudstyr)
7	Nederste beskyttelseskærm B	38	Spaltekniv	69	Afstandsklods
8	Øverste beskyttelseskærm	39	Område, der skal trykkes ind	70	Aluminium-profiler
9	Skruer	40	Klingebredde	71	Indstillingsplade
10	Greb	41	Langsnitanslagholder	72	Lille studs
11	Arm	42	Styreskinne på det øverste bord	73	Forside/kant parallel
12	Topnøgle	43	Spændeskruer (A)	74	Træskruer
13	Justeringsbolt	44	Spændeskruer (B)	75	Lim sammen
14	Drejeskivens øverste flade	45	Langsnitanslag	76	Hul (7 mm i diameter)
15	Klingens periferi	46	Langsnitanslagholder	77	Spændeskive
16	Anslag	47	Arbejdsstykke	78	Møtrik
17	Viser	48	Linie, der skal rettes ind efter	79	Bolt M6
18	Låsearm	49	Firkantet møtrik	80	Trykpind
19	Indstillingsgreb	50	Skala	81	Hjælpeanslag
20	Vinkelskala	51	To skruer	82	Trykblok
21	Skråsnitskala	52	Støvmundstykke	83	Trekantslineal
22	Afbryderkontakt	53	Støvpose	84	0° justeringsbolt
23	Lampekontakt	54	Lukkeskinne	85	Arm
24	Lamper	55	Hætte	86	45° skråvinkeljusteringsbolt
25	Befæstelsessstift	56	Støvsuger	87	Slidgrænse
26	Spændeskruer	57	Klingedæksel	88	Skruestrækker
27	Øverste bord	58	Oplæggerforlænger	89	Kulholderdæksel
28	Motorhus	59	Drejeskive		
29	Midterafdækning	60	Skruearm		
30	Spindellås	61	Skruestang		
31	Savklinge	62	Holder		

SPECIFIKATIONER**Model****LH1040/LH1040F**

Klingediameter..... 255 mm – 260 mm

Hul (skaft) diameter

For alle lande undtagen europæiske lande 25,4 mm og 25 mm

For europæiske lande 30 mm

Maks. skærekapacitet (H x B) med klinge med en diameter på 260 mm i geringsssav-indstilling

Skråvinkel	Geringsvinkel	
	0°	45°
0°	69 mm x 130 mm 93 mm x 95 mm	højre 69 mm x 85 mm, 93 mm x 67 mm venstre 69 mm x 85 mm, 93 mm x 67 mm
45° (venstre)	35 mm x 130 mm 53 mm x 95 mm	højre 35 mm x 91 mm, 49 mm x 67 mm venstre 35 mm x 65 mm, 49 mm x 42 mm

Maks. skærekapacitet ved 90° i bordsav (maskinsav) indstilling 40 mm

Omdrejninger (ubelastet) 4 800 min⁻¹

Bordstørrelse (B x H) 260 mm x 405 mm

Mål (L x B x H) 530 mm x 476 mm x 535 mm

Nettovægt 13,7 kg

Sikkerhedsklasse  /II

- Af hensyn til vort løbende udviklingsprogram forbeholdes ret til ændring af specifikationer uden varsel.
- Bemærk: Tekniske data kan variere fra land til land.

Tilsigtet anvendelse

Maskinen er beregnet til præcis og lige skæring og (kun ved anvendelse som geringssav på det laveste bord) geringssavning i træ.

Netspænding

Maskinen må kun tilsluttes den netspænding, der er angivet på typeskiltet. Maskinen arbejder på enkeltfaset vekselspænding og er dobbeltisoleret iht. de europæiske normer og må derfor tilsluttes en stikkontakt uden jordtilslutning.

Sikkerhedsbestemmelser

Af sikkerhedsgrunde bør De sætte Dem ind i de medfølgende Sikkerhedsforskrifter.

YDERLIGERE SIKKERHEDSBESTEMMELSER FOR MASKINEN

Gælder både greingsav-indstilling og bordsav (maskinsav) indstilling:

1. Brug altid beskyttelsesbriller. Anvend ligeledes andet passende beskyttelsesudstyr.
2. Anvend ALDRIG handsker under savningen undtagen ved udskiftning af savklinger eller håndtering af ubearbejdet materiale inden brugen.
3. Hold altid gulvområdet omkring maskinniveauet i ordentlig stand og fri for løse materialer som for eksempel savspåner og fraskær.
4. Anvend ikke saven, hvis beskyttelseskærmene og spalteklingen ikke er på plads. Kontroller, at beskyttelseskærmene lukker ordentligt før brugen. Lad være med at anvende saven, hvis beskyttelseskærmene ikke bevæger sig frit og lukker øjeblikkeligt. Beskyttelseskærmene må aldrig klemmes eller bindes til en åben position. Enhver uregelmæssighed i beskyttelseskærmenes funktion skal øjeblikkeligt korrigeres.
5. Rengør og vær påpasselig med ikke at beskadige spindelen, flangerne (specielt monteringsfladen) og sekskantbolten, inden eller under montering af klingen. Beskadigelse af disse dele kan resultere i, at klingen brækker. Fejlagtig montering kan medføre vibration/slinger og gliden af klingen. Anvend kun flanger, som er beregnet til denne maskine.
6. Kontroller omhyggeligt klingen for revner og anden beskadigelse inden brug. Anvend ikke savklingen, hvis den er beskadiget eller deformet.
7. Anvend kun savklinger, som anbefales af fabrikanten og som er i overensstemmelse med EN847-1 og vær opmærksom på, at spalteklingen ikke må være tykkere end bredden af skæringen med savklingen og ikke tyndere end selve savklingen.
8. Anvend altid kun det i denne brugsvejledning anbefalede tilbehør. Anvendelse af forkert tilbehør, som for eksempel slibende skærehjul, kan medføre personskaade.
9. Vælg en korrekt savklinge, som passer til det materiale, der skal skæres.
10. Anvend ikke savklinger, som er fremstillet af hurtigtål.
11. Sørg altid for at savklingen er skarp og ren, således at støj under brugen undgås.

12. Anvend kun korrekt skærpede savklinger. Overhold den maksimale hastighed, der er angivet på savklingen.
13. Skær ikke metaldele som søm og skruer. Udfør en inspektion og fjern alle søm, skruer og andre fremmedgenstande fra arbejdsstykket inden brug.
14. Fjern alle løse knaster fra arbejdsstykket INDEN du begynder at skære.
15. Anvend ikke maskinen i nærheden af antændelige væsker og gasser.
16. Af sikkerhedsmæssige årsager fjernes spåner, søm, afskær og lignende fra arbejdsområdet og bordet, inden maskinen sættes i forbindelse og arbejdet påbegyndes.
17. Operatøren skal være fyldestgørende oplært i at bruge, justere og anvende maskinen.
18. Hold hænderne og eventuelle omkringstående og Dem selv ude af savklingens bane. Undgå at komme i berøring med savklinger, der kører i frihjul. Berøring kan medføre alvorlig tilskadekomst. De må aldrig række over en savklinge.
19. Vær altid agtpågivende, specielt under rutinemæssigt, monotont arbejde. Det er farligt at blive lullet ind i en falsk følelse af sikkerhed. Savklingerne er yderst farlige.
20. Kontroller, at spindellåsen er udløst, inden afbryderen aktiveres.
21. Lad maskinen køre i tomgang i et stykke tid, inden De anvender den på et arbejdsstykke. Se efter vibration og slingren, som kan være et tegn på mangelfuld montering eller manglende afbalancering af klingen.
22. Påbegynd først savningen, når maskinen er kommet op på fulde omdrejninger.
23. Maskinen bør ikke anvendes til kærvfrensning, falsning eller notning.
24. Lad være med at fjerne nogen former for afskær eller andre dele af arbejdsstykket fra skæreamrådet, så længe maskinen kører og savhovedet ikke er i hvileposition.
25. Stop øjeblikkeligt savningen, hvis De bemærker noget unormalt.
26. Sluk for maskinen og vent til savklingen er standset, inden De flytter arbejdsstykket eller ændrer nogen indstillinger.
27. Tag maskinen ud af forbindelse, inden De skifter klinge, udfører reparationer eller når maskinen ikke skal bruges.
28. Støv frembragt under anvendelse kan indeholde kemikalier, der vides at kunne frembringe kræft, fødselsdefekter eller skade på forplantningsevnen. Nogle eksempler på disse kemikalier er:
 - bly fra materialer, der er malet med blyholdig maling
 - arsenik og krom fra kemisk behandlet tømmer.Risikoen i forbindelse med udsættelse for disse kemikalier afhænger af, hvor ofte De udfører denne type arbejde. For at reducere udsættelsen for disse kemikalier, bør De arbejde på et veludluttet sted og med anvendelse af godkendt sikkerhedsudstyr, som for eksempel en støvmaske, som er specielt konstrueret til at filtrere mikroskopiske partikler.

29. Tilslut maskinen til en støvsuger, når De saver.

Ved anvendelse i geringsstav-indstilling:

30. Anvend ikke saven til at skære andet end træ, aluminium og lignende materialer.
31. Udfør ikke savninger på frihånd, når De skærer arbejdsstykker på et sted tæt ved savbladet. Arbejdsstykket skal altid være forsvarligt fastspændt mod drejeskiven og anslaget under alt arbejde med maskinen.
32. Sørg for, at drejeskiven er ordentligt fastspændt, således at den ikke bevæger sig under savningen.
33. Sørg for, at armen er ordentligt fastgjort, når der udføres skråsnit. Stram armen i retningen med uret for at fastgøre den.
34. Sørg for, at klingerne ikke berører drejeskiven i den nederste position og ikke berører arbejdsstykket, inden der tændes for maskinen med afbryderen.
35. Hold godt fast i grebet. Vær opmærksom på, at saven kan bevæge sig en smule op og ned, når den startes og stoppes.
36. Skift indlægspladen ud, når den viser tegn på slitage.

Ved anvendelse i bordsav (maskinsav) indstilling:

37. Udfør ikke nogen savninger på frihånd. "Frihånd" vil sige, at De anvender hænderne til at støtte eller lede arbejdsstykket i stedet for at anvende langsnitanslag.
38. Sørg for, at armen er ordentligt fastgjort i arbejdsstillingen. Stram armen i retningen med uret for at fastgøre den.
39. Anvend en trykpind eller en trykblok, så De undgår at bruge hænderne og fingrene til at lukke savklingen.
40. Kontroller, at maskinsavbordet er ordentligt fastgjort i den valgte højde.
41. Kontroller, at klingens ikke berører spaltekniven eller arbejdsstykket, inden afbryderen aktiveres.
42. Læg altid trykpinden på plads, når den ikke skal anvendes.
43. Vær særligt opmærksom på anvisningerne til reducere af TILBAGESLAG. TILBAGESLAG er en pludselig reaktion på en fastklemt, blokeret eller fejlfrettet savklinge. TILBAGESLAG bevirker, at arbejdsstykket slynges fra maskinen mod operatøren. TILBAGESLAG KAN FØRE TIL ALVORLIG PERSONSKADE. Undgå TILBAGESLAG ved altid at holde klingens skarp, ved at holde langsnitanslaget parallelt med spaltekniven og beskyttelsesskærmen og arbejde på korrekt vis ved ikke at frigøre arbejdsstykket, før De har trykket det hele vejen forbi klingens og ved ikke at snitte et arbejdsstykke, som er skævt eller bulet eller ikke har en lige kant til føring langs anslaget.
44. Undgå abrupt, hurtig fremføring. Fremfør arbejdsstykket så langsomt som muligt, når De skærer hårde arbejdsstykker. Lad være med at bøje eller dreje arbejdsstykket under fremføringen. Hvis klingens stopper eller sætter sig fast i arbejdsstykket, skal De øjeblikkeligt slukke for maskinen. Tag maskinen ud af forbindelse. Afhjælp derefter problemet.

MONTERING

FORSIGTIG:

- Hold gulvområdet omkring maskinens niveau i ordentlig stand og fri for løse materialer, som for eksempel spånere og fraskær.

Montering af hjælpeplade (Fig.1 og 2)

Monter hjælpepladen ved hjælp af indsnittet i maskinens bund. Fastgør hjælpepladen ved at stramme sekskant-bolten.

Montering på arbejdsbænk (Fig. 3)

Denne maskine skal boltes fast med to bolte til en plan og stabil overflade med brug af de bolthuller, som findes i maskinens bund. Dette vil bidrage til, at maskinen ikke tipper og forhindre personskafe.

FUNKTIONSBESKRIVELSE

FORSIGTIG:

- Kontroller altid, at maskinen er slået fra og taget ud af strømforbindelse, før der udføres justeringer eller kontrolleres funktioner på maskinen.

Beskyttelsesskærm (Fig. 4 og 5)

FORSIGTIG:

- Kontroller, at grebet ikke kan sænkes uden at man trykker armen i nærheden af grebet til venstre.
- Kontroller, at de nederste beskyttelsesskærme A og B ikke åbnes, med mindre armen i nærheden af grebet trykkes til den øverste greb-position.

Når grebet sænkes, mens armen trykkes til venstre, vil den nederste beskyttelsesskærm A automatisk hæve sig. Den nederste beskyttelsesskærm B hæver sig, når den kommer i berøring med et arbejdsstykke. De nederste beskyttelsesskærme er fjederbelastede, hvorfor de går tilbage til deres udgangsstilling, når skæringen er færdig og grebet er hævet. Den øverste beskyttelsesskærm lægger sig på overfladen, når arbejdsstykket er passeret under den. DE NEDERSTE BESKYTTELSSESKÆRME, FJEDEREN SOM SIDDER PÅ DEN NEDERSTE BESKYTTELSSESKÆRM OG DEN ØVERSTE BESKYTTELSSESKÆRM MÅ ALDRIG SÆTTES UD AF FUNKTION ELLER FJERNES.

I Deres egen sikkerheds interesse bør De altid holde hver enkel beskyttelsesskærm i forskriftsmæssig stand. Uregelmæssigheder i beskyttelsesskærmens gang bør straks afhjælpes. Kontroller, at fjederbelastningen fungerer og får skærmen til at gå på plads. BRUG ALDRIG MASKINEN, HVIS DEN NEDERSTE BESKYTTELSSESKÆRM, FJEDEREN ELLER DEN ØVERSTE BESKYTTELSSESKÆRM ER BESKADIGET, DEFÆKT ELLER MANGLER. DET ER MEGET FARLIGT OG KAN MEDFØRE ALVORLIG PERSONSKADE.

Hvis en af de transparente beskyttelsesskærme er blevet snavset, eller der sidder så meget savsmuld på den, at savklingen ikke længere kan ses tydeligt, bør De tage maskinen ud af forbindelse og omhyggeligt rengøre beskyttelsesskærmene med en fugtig klud. Benyt ikke opløsningsmidler eller rengøringsmidler på petroleumsbasis på plasticskærmen.

GEM DISSE INSTRUKTIONER.

Gå frem som vist herunder, hvis den nederste beskyttelsesskærm A er særlig snavset og der ikke kan ses tydeligt gennem skærmen. Fastgør det øverste bord i den helt hævede position, hævet grebet helt, tryk befæstelsesstiften helt ind med grebet helt oppe og anvend den medfølgende topnøgle til at løsne sekskantbolten, der holder midterafskærmningen på plads. Løsn sekskantbolten ved at dreje den i retningen mod uret og hævet den nederste beskyttelsesskærm A og midterafskærmningen, idet armen trykkes til venstre. Med den nederste beskyttelsesskærm A i denne position, er en fuld og effektiv rengøring nemmere at udføre. Når rengøringen er færdig, udføres ovenstående procedure i modsat orden og bolten spændes til.

I det samme tilfælde for den øverste beskyttelsesskærm som vist herover, løsnes skruen, der holder den på plads, med en skruetrækker, og den øverste beskyttelsesskærm fjernes. Efter rengøring skal den altid monteres igen ved at man strammer skruen så meget, at den øverste beskyttelsesskærm uhindret kan bevæge sig op og ned.

Hvis en af beskyttelsesskærmene bliver misfarvet med tiden eller som følge af ultraviolet bestråling, bør De kontakte et Makita servicecenter for at få en ny beskyttelsesskærm. **OMGÅ ELLER AFMONTER ALDRIG BESKYTTELSSESKÆRMENE.**

Sikring af maksimal skæredybde (Fig. 6 og 7)

Denne maskine er fra fabrikkens side indstillet til at give den maksimale skæredybde med en 260 mm savklinge. Når der monteres en ny savklinge, skal den nedre grænseposition på klingens altid kontrolleres, og, såfremt det er nødvendigt, justeres som følger.

FORSIGTIG:

Når denne indstilling udføres, skal det øverste bord placeres i den nederste position, efter at maskinen er taget ud af forbindelse.

Tag først maskinen ud af forbindelse. Anbring det øverste bord i den nederste position. Sænk grebet fuldstændigt. Anvend en topnøgle til at dreje justeringsbolten, som sidder under det største hul i det øverste bord, indtil klingeperiferien stikker en smule længere ned end overfladen på drejeskiven på det sted, hvor fronten på anslaget møder overfladen på drejeskiven.

Stadig med netstikket trukket ud, drejes savklingen med hånden, mens grebet holdes helt nede. Sørg for, at savklingen ikke berører nogen del af den nederste bund, når grebet er fuldstændigt sænket. Genindstil, om nødvendigt, en smule.

FORSIGTIG:

Efter montering af en ny savklinge, skal det altid sikres, at klingens ikke er i berøring med nogen dele af den nederste bund, når grebet er fuldstændigt sænket. Udfør altid dette med maskinen taget ud af strømforbindelse.

Justering af geringssnit (Fig. 8)

Løsn indstillingsgrebet ved at dreje det mod uret. Drej drejeskiven, mens låsearmen holdes nede. Når grebet er flyttet til den position, hvor viseren står ud for den ønskede vinkel på vinkelskalaen, fastgøres indstillingsgrebet ved at dreje det med uret.

FORSIGTIG:

Når drejeskiven drejes, skal håndtaget være helt hævet. Efter ændring af geringsvinklen, skal drejeskiven altid sikres ved at indstillingsgrebet spændes stramt til.

Justering af skråvinklen (Fig. 9 og 10)

For at justere vinklen ved skråsnit, løsnes håndtaget på bagsiden af maskinen i retningen mod uret.

Tryk håndtaget mod venstre for at kipe savklingen, indtil viseren står ud for den ønskede vinkel på skråsnitskalaen. Stram derefter håndtaget for at holde armen på plads.

FORSIGTIG:

- Når savklingen kippes, skal håndtaget altid være helt hævet.
- Efter ændring af skråvinklen skal håndtaget altid sikres ved at det strammes i retningen med uret.

Afbyrdefunktion (Fig. 11)

FORSIGTIG:

- Sørg inden anvendelsen for, at maskinen tændes og afbrydes.

Maskinen startes ved at man trykker på ON (I) knappen. Maskinen stoppes ved at man trykker på OFF (O) knappen.

Tænding af lamperne (Fig. 11 og 12)

Gælder kun model LH1040F

Tryk på den øverste del af afbryderen for at tænde lyset og på den nederste del for at slukke det.

FORSIGTIG:

- Kig aldrig direkte på lyskilden. Lad ikke lyset falde i Deres øjne.

BEMÆRK:

Benyt en tør klud til at tørre snavs af lampens linse. Undgå at ridse lampens linse, da det kan medføre reduceret lystyrløse.

Indstilling af niveauet af det øverste bord (Fig. 13)

Niveauet af det øverste bord indstilles ved at man løsner to arme ved at dreje i retningen mod uret og derefter hæver eller sænker det øverste bord. Stram disse arme godt til efter indstillingen.

ADVARSEL:

- Anbring det øverste bord i den øverste position, når maskinen skal anvendes i geringssav-indstilling og i den ønskede position, når den skal anvendes i bord-sav-indstilling (maskinsav-indstilling).

SAMLING

FORSIGTIG:

Sørg altid for, at maskinen er slukket og at netledningen er taget ud af forbindelse, inden der foretages noget arbejde på selve maskinen.

Montering og afmontering af savklingen

FORSIGTIG:

- Sørg altid for, at maskinen er slukket og taget ud af forbindelse, før savklingen monteres eller afmonteres.
- Anvend kun den topnøgle, som er leveret af Makita, til at montere og afmontere savklingen. Anvendelse af andre topnøgler kan medføre en for hård eller for let tilspænding af sekskantbolten. Dette kan medføre personskaade.

Fastgør det øverste bord i den øverste position.

Lås håndtaget i den hævede stilling ved at trykke stopstiften ind. (Fig. 14)

Klingen fjernes ved at man først løsner spændeskruen, så den nederste beskyttelsesskærm B sænkes som vist på illustrationen. (Fig. 15)

Anvend derefter topnøglen til at løsne sekskantbolten, som holder midterafdækningen på plads, ved at dreje den i retningen mod uret. Løft den nederste beskyttelsesskærm A og midterafdækningen, idet De skubber armen nær grebet til venstre. (Fig. 16)

Tryk på spindellåsen, så spindelen låses, og anvend topnøglen til at løsne sekskantbolten i retningen med uret. Fjern derefter sekskantbolten, den ydre flange og savklingen. (Fig. 17)

For at montere savklingen sættes denne på spindelen, idet De forvisser Dem om, at pilens retning på savklingen stemmer overens med pilens retning på klingehuset. Monter den ydre flange og sekskantbolten. Benyt derefter topnøglen til at spænde sekskantbolten (venstreskåret gevind) fast ved at dreje den mod uret, mens der trykkes på spindellåsen. (Fig. 18 og 19)

BEMÆRK:

- Når en savklinge monteres, skal De sørge for først at sætte den ind fra ydersiden af beskyttelsesskærm B og derefter hæve den, så klingens til sidst anbringes i beskyttelsesskærm B.

For alle andre land end landene i Europa

FORSIGTIG:

- Sølvringen med en ydre diameter på 25,4 mm er monteret på spindelen på fabrikken. Den sorte ring med en udvendig diameter på 25 mm medfølger som standard-tilbehør. Før savklingen monteres på spindelen, bør det altid kontrolleres, at den korrekte ring, der svarer til skafthullet i den savklinge, som De agter at bruge, er monteret på spindelen. (Fig. 20)

For europæiske lande

FORSIGTIG:

- Ringen med en udvendig diameter på 30 mm monteret mellem den indvendige og udvendige flange på fabrikken. (Fig. 20)

Sæt den nederste beskyttelsesskærm A og midterafdækningen tilbage på plads. Stram dernæst sekskantbolten til i retningen med uret for at holde midterafdækningen på plads. Løft beskyttelsesskærmen B så meget som muligt og stram spændeskruen godt til, idet den holdes i den hævede position. Sænk grebet for at sikre, at de nederste beskyttelsesskærme bevæger sig korrekt. Sørg for, at spindellåsen har udløst spindelen, inden der saves.

Indstilling af spaltekniven

Løs, inden spaltekniven indstilles, de to arme ved at dreje dem i retningen mod uret og tryk det øverste bord på højre side nær spaltekniven ned til den laveste position. Fastgør dernæst det øverste bord ved at spænde de to arme til igen, som vist på illustrationen. (Fig. 21)

Der skal være en afstand på omkring 4 – 5 mm mellem spaltekniven og klingens tænder. Indstil spaltekniven ved at løsne to sekskantbolte i retningen mod uret med unbrakonøglen og mål afstanden. Stram sekskantboltene godt til og kontroller derefter, at den øverste beskyttelsesskærm bevæger sig frit, inden De begynder at save. (Fig. 22)

Spaltekniven er monteret inden forsendelsen fra fabrikken, således at klingens og spaltekniven flugter. (Fig. 23)

FORSIGTIG:

- Hvis klingens og spaltekniven ikke er rettet korrekt ind efter hinanden, kan resultatet blive en farlig fastklemmelse under savningen. Kontroller, at de er rettet ind efter hinanden på korrekt vis. De kan komme alvorligt til skade, hvis maskinen anvendes, uden at spaltekniven er i den korrekte stilling. Hvis de af en eller anden grund ikke er i korrekt stilling, skal De få dem repareret hos et autoriseret Makita-servicecenter.

Montering og justering af langsnitanslaget

1. Monter langsnitanslaget på bordet, således at langsnitanslagsholderen griber fat i styreskinnen. Stram spændeskruen (B) på langsnitanslaget godt til i retningen med uret.
2. Løsn spændeskruen (A).
3. Skub langsnitanslaget og fastgør det, således at den fjerne ende (set fra Dem) er på linie med det punkt ved hvilket forkanten af saven lige netop stikker frem fra arbejdsstykkets øverste overflade. Formålet med denne justering er at reducere risikoen for tilbageslag mod operatøren, hvor fraskær fra arbejdsstykket er klemt fast mellem savklingen og langsnitanslaget og til sidst vil blive slynget ud i retning af operatøren. Linien 3 varierer alt efter arbejdsstykkets tykkelse eller bordniveauet. Juster positionen af langsnitanslaget alt efter tykkelsen af arbejdsstykket.

Når langsnitanslaget er justeret, strammes skruen (A) godt til. (Fig. 24 og 25)

BEMÆRK:

- Der er fire mønstre til placering af langsnitanslaget som vist på illustrationen. (Fig. 26) Langsnitanslaget har to slidser på siderne, den ene slidse med en hævet rand i nærheden på samme side, den anden uden. Anvend kun overfladen af langsnitanslaget med denne rand vendende mod arbejdsstykket, når der skæres i tynde arbejdsstykker.
- For at ændre langsnitanslagsmønstret, skal man fjerne langsnitanslaget fra holderen ved at løsne spændeskruen (A) og ændre langsnitanslagets anlægsflade til langsnitanslagsholderen, således at langsnitanslaget vender mod holderen i overensstemmelse med arbejdet som vist på illustrationen. Sæt den firkantede møtrik på langsnitansholderen ind i bagenden af hver slidse på langsnitanslaget, så de passer som vist på illustrationen.

For at skifte fra mønster A eller B til mønster C eller D, eller i modsat tilfælde, skal man fjerne den firkantede møtrik, spændeskruen og spændeskruen (A) fra langsnitanslagsholderen og derefter anbringe spændeskruen (A), spændeskruen og den firkantede møtrik i den modsatte stilling af langsnitanslagsholderen sammenlignet med den oprindelige stilling. Stram derefter spændeskruen (A) ordentligt, efter at De har sat langsnitanslagsholderens firkantede møtrik i slidserne på langsnitanslaget. Sæt den firkantede møtrik på langsnitanslagsholderen ind i bagsiden af en af slidserne på langsnitanslaget som vist på illustrationen. (Fig. 27)

Langsnitanslaget er på fabrikken indstillet således, at det er parallelt med savklingens overflade. Kontroller, at de er parallelle. Herunder beskrives, hvordan man kontrollerer, at langsnitanslaget er parallelt med savklingen. Sænk bordet til dets nederste position, så klingen stikker frem fra bordet i den øverste position. Afmærk en af klingens tænder med en blyant. Afmærk afstanden (A) og (B) mellem langsnitanslaget og klingen. Tag begge mål med brug af tanden afmærket med blyanten. (Fig. 28) Disse to mål bør være identiske. Hvis langsnitanslaget ikke er parallelt med savklingen, skal De gå frem som vist herunder: (Fig. 29)

1. Drej de to justeringsskuer i retningen mod uret.
2. Flyt bagkanten af langsnitanslaget en smule til højre eller venstre, indtil det er parallelt med klingen.
3. Stram de to skruer på langsnitanslaget godt til.

FORSIGTIG:

- Sørg for at indstille langsnitanslaget således, at det er parallelt med klingen, da der ellers kan opstå et farligt tilbageslag.
- Sørg for at indstille langsnitanslaget således, at det ikke kommer i berøring med den øverste beskyttelses-skærm eller savklingen. (Fig. 30)

Støvpose

Anvendelse af støvposen giver et renere arbejdsmiljø og gør opsamling af støv nemmere. Støvposen sættes på ved at dens mundstykke sættes på støvmundstykket. (Fig. 31)

BEMÆRK:

- I geringsssav-indstilling skal støvposen altid kun sættes på det bageste mundstykke.

Når støvposen er cirka halvt fyldt, tages den af maskinen og lukkeskinnen trækkes ud. Tøm støvposen og bank let på den, så de støvpartikler, der har samlet sig på de indvendige flade er og som kan nedsætte effektiviteten af støvsopsamlingen, fjernes. (Fig. 32)

Hvis De tilslutter en støvsuger til denne maskine, kan en renere og mere effektiv udsugning opnås.

For at montere klingedækslet, når maskinen anvendes i bordsav-indstillingen (maskinsav-indstilling), skal man dreje drejeskiven til 0° skråvinkel (se afsnittet "Indstilling af skråvinkel") og anbringe klingedækslet på drejeskiven, så klingedækslet er centereret over slidstenen til klingens indsætning i drejeskiven og derefter lukke grebet i den nederste position ved at trykke befæstelsesskruen ind som vist på illustrationen. (Fig. 33)

BEMÆRK:

- For at montere støvposen til den forreste støvmunding i bordsav-indstilling (maskinsav-indstilling), skal man først fjerne hættens fra den forreste støvmunding og derefter sætte støvposen på støvmunding.
- Hvis der ikke er brug for anvendelse af en støvpose, skal hættens sættes på den forreste støvmunding. Hvis dette ikke gøres, kan resultatet blive, at der spredes støv fra støvmunding.
- Når maskinen anvendes i bordsav-indstilling (maskinsav-indstilling), skal De sørge for, at klingedækslet er monteret på drejeskiven.

Fastspænding af arbejdsstykket

Det er meget vigtigt at fastspænde arbejdsstykket godt i skruestikken (ekstraudstyr). Hvis De må bruge hænderne til at fastholde arbejdsstykket, skal De holde godt fast, så De ikke mister kontrollen over arbejdsstykket. Hænder og arme skal holdes på god afstand af savklingens arbejdsområde (mindst 100 mm). Tryk arbejdsstykket fast mod anslaget med fingrene holdt over toppen af anslaget. Arbejdsstykket skal desuden hvile fast på drejeskiven.

ADVARSEL:

- Brug aldrig hånden til at holde i arbejdsstykket, hvis dette kræver, at Deres hånd er nærmere end 100 mm fra klingens arbejdsområde. I dette tilfælde skal De altid anvende skruestikken (ekstraudstyr) til at fastspænde arbejdsstykket. Hæv forsigtigt klingen efter hver skæring. Hæv aldrig klingen, før den er fuldstændig standset. Dette kan bevirke, at De kommer alvorligt til skade.

FORSIGTIG:

- Ved skæring af lange arbejdsstykker, bør der benyttes oplæggerforlængere, der har samme højde som drejeskivens overflade. Forlad Dem ikke udelukkende på den lodrette og/eller vandrette skruestik (begge ekstraudstyr) ved fastspænding af arbejdsstykket. (Fig. 34) Tynde materialer har en tendens til at bøje. Understøt altid et arbejdsstykke i hele dets længde, så det undgås at klingen klemmes fast med TILBAGESLAG som resultat.

Lodret skruestik (ekstraudstyr) (Fig. 35)

Den lodrette skruestik kan monteres i to positioner på enten den venstre eller højre side af anslaget eller holderenheden (ekstraudstyr). Sæt skruestangen ind i huller i anslaget eller holderenheden og stram skruen for at fastspænde skruestangen.

Indstil skruearmen efter arbejdsstykkets tykkelse og form og fastspænd den ved hjælp af skruen. Hvis skruen til fastspænding af skruearmen kommer i kontakt med anslaget, skal skruen monteres på den modsatte side af skruearmen. Sørg for, at ingen del af maskinen kommer i kontakt med skruestikken, når håndtaget sænkes helt. Hvis nogen dele berører skruestikken, skal skruearmen genindstilles.

Tryk arbejdsstykket fladt mod anslaget og drejeskiven. Juster arbejdsstykket til den ønskede skæreposition og fastspænd det ved at stramme skruen.

FORSIGTIG:

- Arbejdsstykket skal være helt fastspændt mod drejeskiven og anslaget.

Vandret skruestik (ekstraudstyr) (Fig. 36)

Den vandrette skruestik kan monteres enten på venstre eller højre side af bunden. Når der udføres geringsssnit på 15° eller mere, skal den vandrette skruestik monteres på den side, der vender modsat den retning, i hvilken drejeskiven skal drejes. Ved at dreje skruen i retningen mod uret, frigøres skruen og skruespindelen kan bevæges hurtigt ind og ud. Ved at dreje skruen i retningen med uret, holdes skruen på plads. Arbejdsstykket fastholdes ved at man drejer skruen forsigtigt i retningen med uret, indtil fremspringet når den øverste position. Spænd derefter godt til. Hvis skruen tvinges ind eller trækkes ud, mens den drejer i retningen med uret, kan fremspringet stoppe i en vinkel. I dette tilfælde skal skruen drejes tilbage i retningen mod uret, indtil skruen frigøres, inden den igen drejes forsigtigt i retningen med uret.

Den maksimale bredde af arbejdsstykket, som kan fastspændes med den vandrette skruestik, er 130 mm.

Holdere og holderenhed (esktraudstyr)

Holderne og holderenheden kan monteres på begge sider, hvilket er ideelt til at holde arbejdsstykket vandret. Monter dem som vist på illustrationen. Stram derefter skrueerne godt til for at fastgøre holderne og holderenheden. (Fig. 37)

Når der skæres i lange arbejdsstykker, skal holderstangen (esktraudstyr) anvendes. Det udgøres af to holdere og to stænger. (Fig. 38)

FORSIGTIG:

- Understøt altid lange arbejdsstykker, så de holdes i plan med oversiden af drejeskiven, så der opnås præcise snit og det ikke risikeres, at operatøren mister kontrollen over maskinen.

ANVENDELSE

FORSIGTIG:

- For brugen bør håndtaget altid frigøres fra den nederste stilling ved at man trækker i stopstiften.
- Sørg for, at savklingen ikke berører emnet etc., inden maskinen startes.

ANVENDELSE SOM GERINGSsav

ADVARSEL:

- Når maskinen anvendes som geringssav, skal det øverste bord fastspændes i den øverste position, således at savklingen ikke på noget tidspunkt stikker frem fra den øverste overflade af det øverste bord.

FORSIGTIG:

- Øv ikke et for stort tryk på grebet under savningen. Et for stort tryk kan resultere i overbelastning af motoren og/eller nedsat skæreeffektivitet. Tryk kun grebet ned med så megen kraft som der kræves for at udføre ubesværet savning og uden at klingens hastighed reduceres ret meget.
- Tryk forsigtigt grebet ned for at udføre savningen. Hvis grebet trykkes ned med magt, eller hvis det udsættes for sidelæns tryk, vibrerer savklingen og efterlader mærker (savmærker) på arbejdsstykket, ligesom savningen ikke vil blive nøjagtig.

1. Tryksnit (Fig. 39)

Fastgør arbejdsstykket mod anslaget og drejeskiven. Tænd for maskinen, uden at klingens kommer i kontakt, og vent til klingens er kommet op på fulde omdrejninger, inden sænkning. Sænk derefter grebet til den helt sænkede position for at skære arbejdsstykket. Når savningen er færdig, slukkes maskinen, hvorefter De skal VENTE TIL SAVKLINGEN STÅR HELT STILLE, før savbladet bringes tilbage til den helt hævede position.

2. Geringssnit

Vi henviser til det tidligere afsnit "Justering af geringsvinklen".

3. Skråsnit (Fig. 40)

Løsn armen og vip savklingen for at indstille vinklen til skråsnit. (Vi henviser til det tidligere afsnit "Justering af skråsnit"). Sørg for at spænde armen godt fast igen, så skråsnitvinklen ikke ændrer sig. Fastgør arbejdsstykket mod anslaget og drejeskiven. Kontroller, at slæden er trukket helt tilbage mod Dem. Tænd for maskinen uden at savklingen berører arbejdsstykket og vent, til klingens er kommet op på fulde omdrejninger. Sænk derefter forsigtigt håndtaget til den laveste position, mens der lægges tryk parallelt med savklingen. Når skæringen er afsluttet, skal De slukke for maskinen og VENTE TIL SAVKLINGEN STÅR HELT STILLE, før savklingen bringes tilbage til dens øverste position.

FORSIGTIG:

- Sørg altid for, at klingens bevæger sig ned i skråsnittets retning, når der udføres skråsnit. Hold hænderne væk fra savklings bane.
- Når der udføres skråsnit, kan der opstå en situation, hvor det afskårne stykke hviler mod siden af savklingen. Hvis savklingen hæves, mens den stadig roterer, kan dette fraskær blive fanget i savklingen, og små stykker fraskær kan blive slynget væk, hvilket er meget farligt. Savklingen må KUN hæves, efter at den er stoppet fuldstændigt.
- Når håndtaget trykkes ned, skal dette gøres samtidigt med at savklingen trykkes ned. Hvis trykket ikke er parallelt med savklingen under en skæring, kan savklingsvinklen ændre sig, hvorved skærenøjagtigheden vil blive forringet.

4. Kombineret snit

Kombineret snit er betegnelsen for den proces, hvor der frembringes en skråvinkel, samtidig med at der laves en geringsvinkel i arbejdsstykket. Kombineret snit kan udføres i en vinkel som vist i nedenstående tabel.

Skråvinkel	Geringsvinkel
45°	Venstre og højre 0° – 45°

Se forklaringerne i "Tryksnit", "Geringssnit", og "Skråsnit", når der skal udføres kombineret savning.

5. Skæring af aluminium-profiler (Fig. 41)

Når aluminium-profiler fastspændes, skal der anvendes afstandsklodser eller nogle stykker affaldstræ som vist på illustrationen for at forhindre, at aluminiumet bliver bøjet eller beskadiget. Anvend skæreeolie, når der skæres aluminium-profiler, for at forhindre, at der sætter sig aluminium på savklingen.

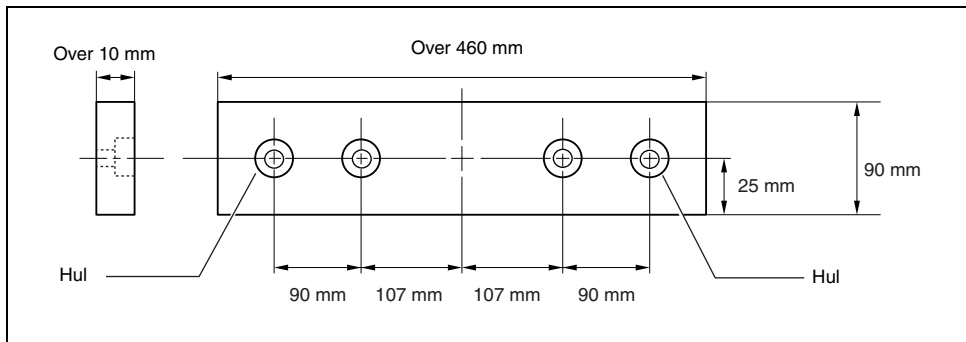
FORSIGTIG:

- Forsøg aldrig at skære tykke eller runde aluminium-profiler. Tykke aluminium-profiler kan løsne sig under arbejdet, og runde profiler kan ikke fastspændes godt nok med denne maskine.
- Sav aldrig i aluminium i bordsav-indstilling (maskinsav-indstilling).

6. Træanlæg

Anvendelse af træanlæg hjælper med til opnåelse af snit, der er fri for splinter. Fastgør et træanlæg til anslaget ved hjælp af hullerne i anslaget.

Se illustrationen angående målene for et foreslået træanlæg.



FORSIGTIG:

- Anvend et lige stykke træ med ensartet tykkelse som træanlæg.
- Anvend skruer til at montere træanlægget på anslaget. Skruerne skal anbringes således, at skruernes hoveder ikke stikker op over overfladen af træanlægget.
- Når træanlægget er monteret, må De ikke dreje bunden med håndtaget sænket. Klinge og/eller træanlægget vil i så fald lide skade.

7. Savning af ensartede længder (Fig. 42)

Når der skæres flere stykker materiale af samme længde, rækkende fra 240 mm til 400 mm, lettes bearbejdningen ved anvendelse af en indstillingsplade. Monter indstillingspladen på holderen som vist på illustrationen.

Ret snitlinjen på arbejdsstykket ind efter enten den venstre eller højre side af slidsen i indlægspladen. Mens arbejdsstykket holdes ubevægeligt, bringes indstillingspladen i flugt med enden af arbejdsstykket. Fastgør derefter indstillingspladen med skruen. Når indstillingspladen ikke anvendes, løsnest skruen, og indstillingspladen drejes væk, så den ikke er i vejen.

BEMÆRK:

- Anvendelse af holderstangenheden (ekstraudstyr) muliggør savning af ensartede længder op til cirka 2 200 mm.

ANVENDELSE SOM BORDSAV (MASKINSAV-INDSTILLING)

FORSIGTIG:

- Når maskinen anvendes i bordsav-indstilling (maskinsav-indstilling), skal klingedækslet anbringes på drejeskiven, så klingedækslet er centeret over slidsen til indsætning af klingens i drejeskiven og de to små studser på undersiden af klingedækslet passer ind i den halvcirkelformede slids i drejeskivens periferi som vist på illustrationen, hvorefter grebet skal låses i den nederste position ved at befæstelsstiften trykkes helt ind. (Fig. 43)
- Anvend altid "arbejdshjælpeanordninger" som for eksempel trykpinde og trykblokke, hvis der er fare for, at deres hænder og fingre kan komme for tæt på klingens.

- De må ALDRIG trække arbejdsstykket ud, mens maskinen er igang. Hvis det er nødvendigt at fjerne arbejdsstykket, inden savningen er færdig, skal De først afbryde maskinen, mens De holder godt fast i arbejdsstykket. Vent indtil klingens er stoppet fuldstændigt, inden De fjerner arbejdsstykket. Forsømmelse af dette kan give farlige tilbageslag.
- Fjern ALDRIG fraskær, mens klingens kører.
- Anbring ALDRIG hænder eller fingre i savklingsbane.
- Fastgør altid langsnitanslaget ordentligt, da der ellers kan opstå farlige tilbageslag.

Arbejdshjælpeanordninger

Trykpinde, trykblokke eller hjælpeanslag er eksempler på "arbejdshjælpeanordninger". Anvend dem til at lave sikre, risikofri snit uden at operatøren behøver at komme i kontakt med klingens med nogen del af kroppen.

Trykblok (Fig. 44)

Anvend et stykke krydsfiner på 15 mm.

Grebet bør være i midten af krydsfinerstykket. Fastgør med lim og træskruer som vist på illustrationen. Et lille stykke træ på 10 mm x 9 mm x 30 mm skal altid limes på krydsfiner for at forhindre at klingens bliver sløv, hvis operatøren ved en fejltagelse kommer til at skære ind i trykblokken. (Anvend aldrig søm i trykblokken).

Hjælpeanslag (Fig. 45 og 46)

Lav hjælpeanslag af krydsfinerstykker på 10 mm til 15 mm.

Fjern langsnitanslaget, spændeskruen (A), den flade spændeskive og den firkantede møtrik fra langsnitanslagholderen og monter og fastgør derefter hjælpeanslaget til langsnitanslagholderen ved hjælp af en M6-bolt, som er længere end M6 x 50, spændeskiver og møtrik.

Kløvning

FORSIGTIG:

- Når der skæres i lange eller store arbejdsstykker, skal der altid være tilstrækkelig støtte bag bordet. Tillad IKKE, at et langt bræt flytter eller bevæger sig på bordet. Dette vil bevirke, at klingens klemmes fast og øge risikoen for tilbageslag og personskade. Støtten bør være samme højde som bordet.

1. Indstil dybden af snittet til en smule højere end tykkelsen af arbejdsstykket. Denne indstilling udføres ved at man løsner to arme og sænker eller hæver det øverste bord.
2. Anbring langsnitanslaget til den ønskede langsnitbredde og fastgør det ved at stramme spændeskruen (A). Inden kløvningen skal De sikre Dem, at de to skruer på langsnitansholderen er strammet. Stram dem yderligere, hvis de ikke er strammet tilstrækkeligt.
3. Tænd for maskinen og før forsigtigt arbejdsstykket ind i klingens sammen med langsnitanslaget.
 - (1) Hvis bredden af langsnittet er 40 mm eller mere, anvendes en trykpind. (Fig. 47)
 - (2) Hvis bredden af langsnittet er mindre end 40 mm, kan trykpinden ikke anvendes, fordi den vil kollideres med den øverste beskyttelseskærm. Anvend hjælpeanslaget og trykblokken. Monter forsvarligt det hjælpeanslag, som er fastgjort til langsnitanslagholderen på bordet. Før arbejdsstykket frem med hånden, indtil dets ende er omkring 25 mm fra forkanten af det øverste bord. Fortsæt med at fremføre arbejdsstykket ved hjælp af trykpinden øverst på hjælpeanslaget, indtil snittet er fuldført. (Fig. 48)

Transport af maskinen

Sørg for, at maskinen er taget ud af forbindelse. Fastgør klingens i 0° til skråsnit, og drej bunden til venstre til fuld geringsvinkel. Sænk grebet helt og lås det i den sænkede position ved at trykke befæstelsesstiften helt ind. (Fig. 49)

Bær maskinen ved at holde i begge sider af maskinens bund som vist på illustrationen. Hvis De fjerner holderne, støvposen etc. bliver det nemmere at bære maskinen. (Fig. 50)

FORSIGTIG:

- Fastgør altid alle bevægelige dele, før maskinen transporteres.

VEDLIGEHOJDELSE

FORSIGTIG:

- Sørg altid for, at maskinen er slået fra og taget ud af forbindelse, før der udføres eftersyn eller vedligeholdelse.

ADVARSEL:

- Sørg altid for, at klingens er skarp og ren, så dens ydelse bliver bedst mulig og sikkerhedsmæssigt forsvarligt.

Indstilling af skærevinklen

Denne maskine er omhyggeligt indstillet og justeret på fabrikken, men indstillingerne kan ændre sig under transport og brug. De kan selv foretage indstillinger, som beskrevet herunder, hvis maskinen ikke er indstillet korrekt.

1. Geringsvinkel

Løsn grebet, der fastholder drejeskiven. Drej drejeskiven, så viseren står ud for 0° på vinkelskalaen. Stram grebet og løs sekskantboltene, som holder anslaget på plads ved hjælp af topnøglen. (Fig. 51)

Sænk grebet fuldstændigt og lås det i den sænkede position ved at skubbe befæstelsesstiften ind. Sæt savklingens side i en ret vinkel mod anlages forside ved hjælp af en trekantslineal, anlagsvinkel etc. Stram derefter sekskantboltene på anslaget, begyndende fra højre side. (Fig. 52)

2. Skråvinkel

(1) 0° skråvinkel

Sænk grebet fuldstændigt og lås det i den sænkede position ved at skubbe befæstelsesstiften ind. Løsn armen på bagsiden af maskinen. Drej 0° skråvinkeljusteringsboltens på højre side af drejeskiven to eller tre omdrejninger i retningen med uret for at tippe klingens til højre. (Fig. 53)

Sæt savklingens side i en ret vinkel mod overfladen af drejeskiven ved hjælp af trekantslineal, anlagsvinkel etc. ved at dreje 0° skråvinkeljusteringsboltens i retningen mod uret. (Fig. 54)

Bekræft, at viseren på drejeskiven peger på 0° på skalaen på armen. Hvis den ikke peger på 0°, skal skrue, der holder viseren, løsnes, og viseren justeres, så den peger på 0°. (Fig. 55)

(2) 45° skråvinkel

Indstil kun 45° skråvinklen, efter at De har udført indstillingen for 0° skråvinklen. Indstil den venstre 45° skråvinkel ved at løsne armen og tippe klingens helt til venstre. Sørg for, at viseren på armen peger på 45° på skalaen på armen. Hvis viseren ikke peger på 45°, drejes 45° skråvinkeljusteringsboltens på venstre side af armen, indtil viseren peger på 45°. (Fig. 56)

Udskiftning af kulbørsterne (Fig. 57 og 58)

Tag kulbørsterne ud og efterse dem periodisk. Kullene skal udskiftes, når de er slidt ned til slidgrænsen. Hold kulbørsterne rene, så de altid passer ind i hullerne. Begge kulbørster bør udskiftes parvis og samtidigt. Anvend kun identiske kulbørster.

Benyt en skruetrækker til at fjerne kuldækslerne. Tag de slidte kulbørster ud, sæt de nye i, og fastgør kuldækslerne.

Efter anvendelse

- Efter anvendelse aftørres spåner eller støv, der måtte klæbe til maskinen, med en klud eller lignende. Hold beskyttelsesskærmen ren som beskrevet i afsnittet "Beskyttelsesskærm". Smør de glidende dele på maskinen med olie for at forhindre rustdannelse.

For at opretholde produktets sikkerhed og pålidelighed, må istandsættelse, vedligeholdelse eller justering kun udføres af et autoriseret Makita service center med anvendelse af Makita reservedele.

TILBEHØR

FORSIGTIG:

- Dette udstyr og tilbehør bør anvendes sammen med Deres Makita maskine, sådan som det er beskrevet i denne brugsanvisning. Anvendelse af andet udstyr eller tilbehør kan udgøre en risiko for personskade. Tilbehøret bør kun anvendes til det, det er beregnet til.

Hvis De behøver hjælp ved valg af tilbehør eller ønsker yderligere informationer, bedes De kontakte Deres lokale Makita service center.

- Stål- og kapidstålskærssavklinge
- Hjælpeplade
- Skruestik (vandret skruestik)
- Lodret skruestik
- Topnøgle 13
- Holder
- Holderenhed
- Holderstangenhed
- Indstillingsplade
- Støvpose
- Trekantslineal
- Klingedæksel (Beskyttelsesskærm C)
- Trykpind
- Linealenhed (langsnitanslag)

Förklaring av allmän översikt

1 Stödplatta	32 Klinghölje	63 Hållarsats
2 Sexkantbult	33 Pil	64 Tvingskruv
3 Sågbord	34 Yttre fläns	65 Fäste
4 Mutter	35 Inre fläns	66 Tvingskruv
5 Bult	36 Spindel	67 Typ 12-stång
6 Nedre klingskydd A	37 Ring	68 Tving (extra tillbehör)
7 Nedre klingskydd B	38 Klyvkniv	69 Kloss
8 Övre klingskydd	39 Tryck här	70 Aluminiumprofil
9 Skruv	40 Klingans bredd	71 Fixeringsplatta
10 Handtag	41 Riktlinjalens hållare	72 Liten tapp
11 Spak	42 Spår i övre sågbord	73 Sida/kant parallell
12 Hylsnyckel	43 Låsskruv (A)	74 Tråskruv
13 Justeringsbult	44 Låsskruv (B)	75 Limma ihop
14 Geringsskivans yta	45 Riktlinjal	76 Hål (7 mm diameter)
15 Klingans periferi	46 Riktlinjalens hållare	77 Bricka
16 Anhåll	47 Arbetsstycke	78 Mutter
17 Visare	48 Linje för inställningen	79 Bult M6
18 Låsspak	49 Fyrkantmutter	80 Påskjutare
19 Skruvhandtag	50 Skala	81 Stödanhåll
20 Geringsskala	51 Två skruvar	82 Kloss
21 Vinkelskala	52 Spånutkast	83 Vinkelhake
22 Strömbrytare	53 Spånsamlarpåse	84 0° justeringsbult
23 Lampknapp	54 Påsöppning	85 Arm
24 Lampor	55 Lock	86 Justeringsbult för 45-graders vinkelsågning
25 Låstapp	56 Dammsugare	87 Slitagegränsmärke
26 Låsskruv	57 Klingskydd	88 Skruvmejsel
27 Övre sågbord	58 Stöd	89 Kolborstlock
28 Motorkåpa	59 Geringsskiva	
29 Mittskydd	60 Tvingarm	
30 Spindellås	61 Tvingstång	
31 Sågklinga	62 Hållare	

TEKNISKA DATA

Modell

LH1040/LH1040F

Klingans diameter..... 255 mm – 260 mm

Håldiameter (axelhål)

För alla länder förutom europeiska länder..... 25,4 mm och 25 mm

För europeiska länder..... 30 mm

Max. sågkapacitet (H x B) för geringssågning med 260 mm sågklinga

Vinkelsågning	Geringsvinkel	
	0°	45°
0°	69 mm x 130 mm 93 mm x 95 mm	höger 69 mm x 85 mm, 93 mm x 67 mm vänster 69 mm x 85 mm, 93 mm x 67 mm
45° (vänster)	35 mm x 130 mm 53 mm x 95 mm	höger 35 mm x 91 mm, 49 mm x 67 mm vänster 35 mm x 65 mm, 49 mm x 42 mm


Max. sågkapacitet för 90-graders bänksågning..... 40 mm

Obelastat varvtal (v/min)..... 4 800

Bordets storlek (B x D)..... 260 mm x 405 mm

Mått (L x B x H)..... 530 mm x 476 mm x 535 mm

Nettovikt..... 13,7 kg

Säkerhetsklass  II

- Tack vare det kontinuerliga programmet för forskning och utveckling, kan här angivna tekniska data ändras utan föregående meddelande.
- Observera: Tekniska data kan variera från land till land.

Avsedd användning

Maskinen kan användas för bänksågning och gerings-sågning (med övre sågbordet uppfällt).

Strömförsörjning

Maskinen får endast anslutas till nät med samma spänning som anges på typplåten och kan endast köras med enfas växelström. Den är dubbelisolerad i enlighet med europeisk standard och kan därför anslutas till vägguttag som saknar skyddsjord.

Säkerhetstips

För din egen säkerhets skull, bör du läsa igenom de medföljande säkerhetsföreskrifterna.

YTTERLIGARE SÄKERHETSANVISNINGAR FÖR MASKINEN

För både gerings-sågning och bänksågning gäller:

1. Använd skyddsglasögon och hörselskydd. Andra lämpliga personskydd bör också användas.
2. Ha **ALDRIG** handskar på när du använder maskinen utom vid byte av sågklinga eller vid hantering av ohyvlat arbetsmaterial.
3. Håll golvet vid maskinen fritt från skräp och sågavfall.
4. Använd inte maskinen utan klingskydd och klyvkniv. Kontrollera att klingskydden stängs som de ska före varje användning. Om klingskydden inte kan röra sig fritt och stängs direkt ska inte sågen användas. Fäst aldrig klingskydden i öppet läge. Om klingskydden inte fungerar som de ska bör detta åtgärdas direkt.
5. Se till att inte spindel, flänsar (särskilt monteringsytan) eller sexkantbult skadas före eller under montering av sågklingan. Om de skadas kan sågklingan spricka. Felaktig montering av klingan kan göra att klingan vibrerar/wobblar eller slirar. Använd endast flänsar avsedda för maskinen.
6. Kontrollera klingan noga före användning. Använd aldrig en skadad klinga.
7. Använd endast av tillverkaren rekommenderade sågklingor som överensstämmer med EN847-1. Observera att klyvkniven inte får vara bredare än sågspåret och inte heller tunnare än klingan.
8. Använd alltid tillbehör som rekommenderas i denna handbok. Andra tillbehör såsom kapskivor kan orsaka skador.
9. Välj en sågklinga som passar för det material som ska sågas.
10. Använd inte sågklingor tillverkade av snabbstål.
11. Se till att klingan är ren och vass för att hålla ljudnivån nere.
12. Använd vassa sågklingor. Överskrid inte den maximala hastighet som anges på klingan.
13. Såga aldrig i metall såsom skruv eller spik. Ta bort alla spikar och skruvar m.m. före sågning.
14. Tillsä tillse att arbetsstycket är fritt från lösa delar **FÖRE** sågning.
15. Använd aldrig maskinen i närheten av eldfarliga vätskor eller gaser.
16. Av säkerhetsskäl ska sågspån och små träbitar m.m. städas bort från arbetsområdet och sågborden innan maskinen kopplas in och startas.

17. Användaren ska kunna använda och ställa in maskinen.
18. Personer får inte stå eller hålla händer direkt framför eller bakom klingan. Rör aldrig klingan, och böj dig inte över den förrän den har stannat helt.
19. Var alltid vaksam, särskilt vid repetitivt och monotont arbete. Låt dig inte invaggas i falsk säkerhet. Klingan är alltid livsfarlig under sågning.
20. Tillsä tillse att inte spindellåset är på när maskinen startas.
21. Låt maskinen vara på ett tag innan sågningen påbörjas. Kontrollera att klingan är balanserad och inte vibrerar eller wobblar.
22. Såga inte förrän klingan har uppnått full hastighet.
23. Maskinen får inte användas för spårfräsning eller spontning.
24. Ta inte bort avsågade bitar eller annat från arbetsområdet medan maskinen är på och såghuvudet inte är i sitt viloläge.
25. Avbryt omedelbart arbetet om något inte fungerar som det ska.
26. Stäng av maskinen och vänta tills klingan stannat innan du flyttar arbetsstycket eller ändrar inställningar.
27. Dra alltid ut stickkontakten före klingbyte eller när maskinen inte används.
28. Sågdamm kan innehålla ämnen som orsakar cancer, fosterskador eller andra reproduktions-skador. Exempelvis:
 - bly från blybaserad färg,
 - arsenik och krom från impregnerat virke.Riskerna för dessa ämnen varierar men beror på hur ofta du utsätts. För att minimera exponeringsrisken: arbeta i en väl ventilerad lokal och använd skyddsutrustning såsom munskydd som filtrerar mikropartiklar.
29. Använd spånsug när maskinen används.

Vid gerings-sågning:

30. Såga inte i andra material än trä, aluminium eller liknande.
31. Såga aldrig ett arbetsmaterial på "fri hand". Arbetsstycket måste fästas ordentligt mot geringssskiva och anhåll innan någon sågning utförs.
32. Tillsä tillse att geringssskivan sitter stadigt så att den inte rör sig under sågning.
33. Se till att armen sitter fast vid vinkelsågning. Dra åt spaken så att armen sitter fast.
34. Tillsä tillse att klingan inte kommer åt geringssskivan när den är i lägsta position och inte heller har kontakt med arbetsstycket när maskinen startas.
35. Håll handtaget stadigt. Observera att klingan rör sig något i höjdlid när maskinen startar eller stannar.
36. Byt ut spårbädden om den är sliten.

Vid bänksågning:

37. Såga aldrig på "fri hand", dvs håll aldrig arbetsstycket med händerna. Använd i stället en riktlinjal.
38. Tillse att armen sitter fast i arbetsläget. Dra åt spaken så att armen sitter fast.
39. Använd en påskjutare eller kloss för att inte fingrarna ska komma för nära klingan.
40. Kontrollera att det övre sågbordet sitter fast på önskad höjd.
41. Kontrollera att klingan inte har kontakt med klyvkniven eller arbetsstycket när maskinen startas.
42. Förvara påskjutaren på lämplig plats när den inte används.
43. Observera särskilt avsnittet om hur risken för KAST minskas. KAST är ett resultat av att sågklingan nyper fast i arbetsmaterialet. KASTET gör att arbetsstycket kastas bakåt mot användaren. KAST KAN LEDA TILL ALLVARLIGA PERSONSKADOR. Undvik KAST genom att hålla klingan vass, hålla stödlinjalen parallellt med klingan, hålla klyvkniv och klingskydd på plats och fungerande, inte släppa arbetsstycket förrän du har skjutit det helt igenom klingan och genom att inte klyva ett arbetsstycke som är vridet eller böjt eller inte har en jämn sida som kan hållas mot anhållet.
44. Undvik ryckig och snabb matning. Mata långsamt om du ska såga i hårda material. Böj eller vrid aldrig arbetsstycket. Om arbetsstycket fastnar och klingan bromsas, stäng av maskinen och åtgärda problemet. Dra ut kontakten. Rensa området kring klingan.

SPARA DESSA ANVISNINGAR.

INSTALLATION

FÖRSIKTIGT:

- Håll golvet vid maskinen fritt från skräp och sågavfall.

Montering av stödplatta (Fig. 1 och 2)

Montera stödplattan med hjälp av fästet i sågbordet och lås fast den genom att skruva åt sexkantbulten.

Bänkmontage (Fig. 3)

Maskinen ska skruvas fast med två bultar på en plan och stabil arbetsbänk. Använd hålen som finns i sågbordet. Detta minskar risken för att maskinen välter vilket skulle kunna orsaka skador.

BESKRIVNING AV FUNKTIONER

FÖRSIKTIGT:

- Se alltid till att maskinen är avstängd och att nätsladden dragits ut innan justeringar eller kontroll av maskinen görs.

Klingskydd (Fig. 4 och 5)

FÖRSIKTIGT:

- Se till att handtaget inte kan tryckas ner utan att spaken är nertryckt.
- Se till att de nedre klingskydden A och B inte kan öppnas utan att spaken vid handtaget är i sitt översta läge.

När du sänker handtaget genom att trycka på den vänstra spaken, lyfts det nedre klingskyddet A automatiskt. Det nedre klingskyddet B lyfts när ett arbetsstycke förs in mot klingan. Klingskyddet är försett med en fjäder så att det går tillbaka till ursprungsläget när sågningen är avslutad och handtaget höjs. Det övre klingskyddet lägger sig platt på det övre sågbordet när arbetsstycket har passerat förbi skyddet. BLOCKERA ALDRIG ELLER AVLÄGSNA ALDRIG KLINGSKYDDEN ELLER FJÄDERUPPHÄNGNINGARNA.

För säkerhets skull bör klingskyddet alltid hållas i gott skick. Om klingskydden inte fungerar som de ska bör detta åtgärdas direkt. Kontrollera även att fjädern gör att klingskyddet går tillbaka. ANVÄND ALDRIG MASKINEN OM KLINGSKYDD ELLER DESS FJÄDER ÄR SKADADE, INTE FUNGERAR KORREKT ELLER SAKNAS. SÅDAN ANVÄNDNING ÄR MYCKET FARLIG OCH KAN ORSAKA ALLVARLIGA PERSONSKADOR.

Om det genomskinliga klingskyddet blir smutsigt eller om sågspån fastnar på det så att inte klingan syns bra, måste maskinen kopplas ur och skyddet rengöras noga med en fuktig trasa. Använd inte lösningsmedel eller petroleumbaserade rengöringsmedel då det skadar plasten i skyddet.

Om nedre klingskyddet A är nedsmutsat så att du ej kan se klingan, gör som följer. Lås övre sågbordet i högsta läge, lyft handtaget helt. Med handtaget i detta läge skjuter du in låstappen i botten. Lossa därefter sexkantbulten moturs med hylsnyckeln och lyft det nedre klingskyddet A och mittenskyddet samtidigt som du skjuter spaken åt vänster. Med klingskyddet A i detta läge är en noggrannare rengöring möjlig. När rengöringen är klar gör du bara på motsatt sätt och drar åt bulten.

För övre klingskyddet, lossar du dess fästskruv med en skruvmejsel och tar bort klingskyddet. När du har rengjort klingskyddet måste du återmontera detta och därvid dra åt skruven med ett sådant moment att klingskyddet rör sig som det ska utan att fastna.

Om klingskyddet blir missfärgat med tiden eller p.g.a. UV-ljus kontaktar du ett av Makitas servicecenter för att få ett nytt klingskydd. KLINGSKYDDET FÅR ALDRIG BLOCKERAS ELLER TAS BORT.

Bibehålla maximal sågkapacitet (Fig. 6 och 7)

Maskinen är fabriksinställd för att ge maximal sågkapacitet för en 260-millimeters sågklinga.

Om du monterar en ny klinga måste klingans nedre gränsläge kontrolleras och vid behov justeras på följande sätt:

FÖRSIKTIGT:

- Börja med att dra ur kontakten. Ställ in det övre sågbordet i lägsta läget.

Koppla först ur maskinen. Ställ in det övre sågbordet i lägsta läget. Sänk handtaget helt. Använd hylsnyckeln för att vrida på justeringsbulten tills klingans periferi går ner något under geringsskivans yta där anhålllets framsida ligger mot geringsskivans översida.

Medan maskinen är urkopplad roterar du klingan för hand medan handtaget hålls ner helt för att säkerställa att inte klingan går emot något. Vid behov justerar du på nytt.

FÖRSIKTIGT:

- Efter montering av en ny klinga måste du alltid kontrollera att klingan inte går emot någon del av maskinen när handtaget sänks helt. Utför denna kontroll endast när maskinen är urkopplad.

Ändra geringsvinkel (Fig. 8)

Lossa skruvhandtaget genom att skruva upp den något. Vrid geringsskivan samtidigt som låsspaken trycks ner. När du har vridit geringsskivan så att visaren pekar på den önskade vinkeln på geringsskalan skruvar du åt skruvhandtaget igen.

FÖRSIKTIGT:

- Se till att lyfta upp handtaget helt innan du vrider på geringsskivan.
- När geringsvinkeln har ändrats måste geringsskivan skruvas fast genom att dra åt skruvhandtaget ordentligt.

Ändra vinkel för vinkelsågning (Fig. 9 och 10)

För att ändra vinkel för vinkelsågning lossar du spaken på maskinens baksida genom att dra den moturs.

Tryck handtaget åt vänster för att luta klingan tills visaren pekar på önskad vinkel på skalan. Dra sedan åt spaken så att armen sitter fast.

FÖRSIKTIGT:

- Se till att lyfta upp handtaget helt innan du lutar klingan.
- När vinkelsågningsvinkeln har ändrats måste armen fästas genom att spaken dras åt medurs.

Strömbrytarfunktion (Fig. 11)

FÖRSIKTIGT:

- Sätt på och stäng av maskinen före användning.

Tryck på ON (I) för att starta maskinen. Tryck på OFF (O) för att stänga av maskinen.

Tända lamporna (Fig. 11 och 12)

Endast för modell LH1040F

Tryck upp till på brytaren för att tända lamporna och nertill för att släcka den.

FÖRSIKTIGT:

- Titta inte direkt in i ljuset eller ljuskällan.

OBSERVERA:

- Använd en torr trasa för att torka bort smuts från lampans lens. Se till att inte repa lampans lens. Annars kommer ljuset att försämrats.

Justering av övre sågbordet (Fig. 13)

För att ändra övre sågbordets läge, skruva på låsmutterarna motsols och höj/sänk sågbordet. Dra åt låsmutterarna ordentligt när du ställt in önskad höjd.

WARNING:

- Övre sågbordet skall alltid vara i högsta läge när du geringssågar. När du bänksågar kan du ställa in övre sågbordet i önskat läge.

SAMMANSÄTTNING

FÖRSIKTIGT:

- Se alltid till att maskinen är avstängd och att nätsladden drags ut innan något arbete utförs på maskinen.

Ta bort och sätta fast en sågklinga

FÖRSIKTIGT:

- Se alltid till att maskinen är avstängd och att sladden är utdragen innan klingan tas bort eller sätts fast.
- Använd endast den Makita-hylsnyckel som medföljde för att montera eller ta bort sågklingan. I annat fall kan du dra sexkantbulten åt för hårt eller för löst. Detta kan leda till olyckor.

Sätt fast övre sågbordet i högsta läget.

Lås handtaget i upplyft läge genom att trycka in låstappen. (Fig. 14)

För att kunna ta bort klingan, måste du först lossa låsskruven så att det nedre klingskyddet B kan sänkas som illustrationen visar. (Fig. 15)

För att ta bort klingan använder du hylsnyckeln och skruvar upp sexkantbulten som håller mittskyddet på plats. Lyft nedre klingskyddet A och mittskyddet genom att trycka på spaken bredvid handtaget till vänster. (Fig. 16) Tryck in spindellåset så att spindeln är låst och använd sedan hylsnyckeln för att skruva upp sexkantbulten med motsols (vänstergångad). Ta sedan bort sexkantbulten, yttre flänsen och klingan. (Fig. 17)

För att sätta fast en sågklinga sätter du den försiktigt på spindeln och ser till att riktningen på den pil som finns på klingans sida stämmer med pilen på klinghöljet. Sätt fast inre fläns och sexkantbult som du sedan drar fast (vänstergångad, dra åt moturs) ordentligt medan du håller in spindellåset. (Fig. 18 och 19)

OBS!

- När du monterar en klinga måste den föras ner bredvid klingskydd B och för sedan upp den i läge inne i klingskydd B.

För alla länder utanför Europa

FÖRSIKTIGT:

- Silverringen med ytterdiameter 25,4 mm är fabriksmonterad på spindeln. Den svarta ringen med ytterdiameter 25 mm medföljer som standardutrustning. Innan sågklingan sätts fast på spindeln måste du alltid kontrollera att ringen som sitter mellan inre och yttre flänsarna stämmer överens med klingans maskinaxelhål. (Fig. 20)

För länder i Europa

FÖRSIKTIGT:

- Ringen med ytterdiametern 30 mm är fabriksmonterad mellan inre och yttre flänsarna. (Fig. 20)

Sätt tillbaka det nedre klingskyddet A och mittskyddet i ursprungligt läge. Dra sedan fast sexkantbulten som håller mittskyddet (högergång, dra åt medurs som vanligt). Lyft klingskydd B så högt som möjligt och dra åt låsskruv medan klingskyddet är i högsta läget. Sänk handtaget för att kontrollera att klingskyddet rör sig som det ska. Kontrollera att spindelåset inte längre låser fast spindeln innan du försöker såga.

Justering av klyvkniv

Innan du justerar klyvkniven måste du lossa de två spakarna (motsurs) och trycka ner höger sida av övre sågbordet (bredvid klyvkniven). Sätt sedan fast övre bordet genom att åter dra åt de två spakarna enligt figuren. (Fig. 21)

Avståndet mellan klingans sågtänder och klyvkniv måste vara 4–5 millimeter. Justera klyvkniven genom att skruva upp sexkantbultarna med hylsnyckeln och ställ in detta avstånd. Dra sedan åt bultarna igen och kontrollera även att övre klingskyddet löper fritt innan du börjar såga. (Fig. 22)

Klyvkniven är fabriksmonterad så att klingan och kniven sitter i rät linje. (Fig. 23)

FÖRSIKTIGT:

- Klingan och klyvkniven måste vara rätt inställda i förhållande till varandra annars kan klingan nypa fast under användning. Se till att de är korrekt inställda. Du kan skadas allvarligt om du använder maskinen utan att först ha ställt in klyvkniven. Om de av någon anledning inte är rätt inställda kan du få maskinen reparerad på ett auktoriserat Makita servicecenter.

Installera och justera riktlinjalen

1. Installera riktlinjalen på sågbordet så att riktlinjalens hållare tar i spåret. Dra åt riktlinjalens låsskruv (B) hårt.
2. Skruva upp låsskruv (A).
3. Skjut riktlinjalen och sätt fast den så att dess bortre del sitter i linje med den punkt där sågklingans framkant kommer upp ur arbetsstyckets överdel. Justeringen görs för att minska risken för att en avsågad bit kläms fast mellan sågklingan och riktlinjalen och sedan kastas bakåt mot användaren. Linjen 3 varierar med arbetsstyckets tjocklek och bordsnivån. Anpassa riktlinjalens läge efter arbetsstyckets tjocklek. Efter justering av riktlinjalen drar du åt låsskruv (A) hårt. (Fig. 24 och 25)

OBS!

- Det finns fyra mönster för placering av riktlinjalen enligt figuren. (Fig. 26) Riktlinjalen har två uttag på sina sidor, ett med upphöjd kant bredvid på samma sida och den andra utan. Använd riktlinjalen med denna kant mot arbetsstycket bara vid sågning av tunna arbetsstycken.
- För att ändra riktlinjalens mönster tar du bort den från hållaren genom att lossa låsskruv (A) och ändra dess läge i hållaren så att den sitter enligt figuren. Sätt in hållarens fyrkantmutter i bakre änden av endera uttag i riktlinjalen så att de passar som i figuren.

För att ändra mönster A eller B till mönster C eller D, eller omvänt tar du bort fyrkantmutter, bricka och låsskruv (A) från riktlinjalens hållare och sätter låsskruv (A), bricka och fyrkantmutter i motstående position på hållaren. Dra åt låsskruv (A) hårt efter att ha satt in hållarens fyrkantmutter i riktlinjalens uttag. Sätt in hållarens fyrkantmutter i bakre änden av endera uttag i riktlinjalen så att de passar som i figuren. (Fig. 27)

Riktlinjalen är fabriksmonterad så att den är parallell med sågklingan. Kontrollera att den är parallell. Gör så här för att kontrollera att riktlinjalen är parallell med sågklingan. Sänk sågbordet till lägsta position så att sågklingan kommer upp maximalt ur sågbordet. Markera en av klingans sågtänder med en krita. Mät avståndet (A) och (B) mellan riktlinjal och klinga. Mät i båda fallen från kritmarkeringen. (Fig. 28) De två mätningarna ska ge samma resultat. Om riktlinjalen inte är parallell med klingan gör du på följande sätt: (Fig. 29)

1. Vrid de två justerskruvorna motsurs.
2. Dra riktlinjalens bakre kant något till höger eller vänster tills den blir parallell med klingan.
3. Dra åt de två skruvarna på riktlinjalen hårt.

FÖRSIKTIGT:

- Se till att justera riktlinjalen så att den är parallell med klingan. Annars kan farliga bakåtkast inträffa.
- Se till att justera riktlinjalen så att den inte kommer i kontakt med övre klingskyddet eller klingan. (Fig. 30)

Spånsamlarpåse

Användning av spånsamlaren gör att man kan såga utan att skräpa ner och insamling av sågspån blir enkelt. Sätt fast spånsamlarpåsen genom att trä den på spånutkastet. (Fig. 31)

OBS!

- I geringsläge ska påsen sättas bara över det bakre spånutkastet.

Ta bort spånsamlaren från maskinen när den är ungefär halvfull och öppna påsen. Töm spånsamlaren och slå lätt på den för att avlägsna allt skräp som fastnat på insidan. Sådant skräp kan annars blockera spånsamlaren. (Fig. 32)

Du kan få en ännu effektivare och renare användning om du ansluter en dammsugare till maskinen.

För att montera klingskyddet när maskinen används som bänksåg vrids du geringskivan till 0-graders geringsvinkel (se avsnittet "Ändra geringsvinkel") och placerar klingskyddet på geringsbordet så att klingskyddet är centrerat över uttaget för klingan i geringsbordet och låser sedan handtaget i lägsta position genom att trycka in låstappen helt enligt figuren. (Fig. 33)

OBS!

- Flytta spånsamlaren till främre spånutkastet för bänksågning genom att först ta av locket över det främre utkastet och sedan sätta dit spånsamlarpåsen där.
- När spånsamlarpåsen inte används ska locket sitta för det främre spånutkastet. I annat fall kommer sågspån att spruta ut genom utkastet.
- När maskinen används som bänksåg måste klingskyddet vara monterat på geringsskivan.

Fästa arbetsstycket

Om möjligt ska arbetsstycket fästas med den tving som finns som tillbehör. Om du måste hålla arbetsstycket med handen ska du hålla hårt och säkert så att du inte tappar arbetsstycket. Håll hand och arm borta från klingan (minst 100 millimeter). Tryck arbetsstycket hårt mot anhållet med fingrarna över anhållets överdel. Arbetsstycket måste dessutom ligga an stadigt mot geringsskivan.

VARNING:

- Om du måste hålla arbetsstycket med handen får du inte hålla den närmare klingan än 100 millimeter. Fäst i stället arbetsstycket med den tving som finns som tillbehör. Efter sågningen höjer du klingan försiktigt. Lyft aldrig klingan förrän den har stannat helt. Annars kan du orsaka personskadorna.

FÖRSIKTIGT:

- Vid sågning av långa arbetsstycken måste de stötta upp så att hela arbetsstycket är i jämnhöjd med geringsskivan. Lita inte helt på att vertikal och/eller horisontal tving (båda är tillbehör) ensamt kan hålla fast arbetsstycket. (Fig. 34)
Tunna material kan tyngas ner. Stötta arbetsstycket hela längd för att inte klingan ska nypa fast vilket kan leda till ett KAST.

Vertikal tving (extra tillbehör) (Fig. 35)

Den vertikala tvingen kan monteras till höger eller vänster i anhåll eller hållarsats (tillbehör). Sätt in tvingstången i anhållets eller hållarsatsens hål och skruva fast den.

Höjjustera tvingarmen så att den passar arbetsstyckets tjocklek och form och skruva fast den i stången. Om tvingarmens skruv kommer i kontakt med anhållet måste den flyttas till tvingarmens andra sida. Kontrollera att ingen del av maskinen kommer i kontakt med tvingen när handtaget sänks helt. Om vissa delar kommer åt tvingen monterar du om den.

Tryck arbetsstycket mot anhållet och geringsskivan. Placera arbetsstycket i önskad sågposition och sätt fast det genom att dra åt tvingskruven.

FÖRSIKTIGT:

- Arbetsstycket måste fästas ordentligt mot geringsskiva och anhåll.

Horisontal tving (extra tillbehör) (Fig. 36)

Den horisontala tvingen kan monteras till vänster eller till höger på sågbordet. Vid geringssågning i 15° eller mer ska det horisontala skruvstycket monteras motsatt den riktning som geringsskivan vrids i. Genom att skruva ut tvingskruven frigörs den och tvingaxeln kan sedan snabbt föras in eller dras ut. Den fäster om den skruvas in. Fäst arbetsstycket genom att försiktigt skruva in tvingskruven tills den ligger an mot arbetsstycket och då dras den åt ordentligt. Om skruven trycks inåt eller dras ut medan den komma snett i fästet. Skruva i så fall ut skruven tills den frigörs och skruva därefter in den försiktigt igen.

Den största bredden på arbetsstycken som kan fästas med den horisontala tvingen är 130 millimeter.

Hållare och hållarsats (tillbehör)

Hållare och hållarsats kan monteras på endera sidan för att på ett bekvämt sätt stötta arbetsstycken horisontellt. Montera dem enligt figuren. Skruva sedan ordentligt fast hållare och hållarsats. (Fig. 37)

När långa arbetsstycken sågas används stånghållarsats (tillbehör). Den består av två hållarsatser och två stänger av typ 12. (Fig. 38)

FÖRSIKTIGT:

- Långa arbetsstycken måste hållas uppe i jämnhöjd med geringsskivans yta för att få en noggrann sågning och undvika olyckor.

ANVÄNDNING

FÖRSIKTIGT:

- Se till att dra ut låstappen och höja upp handtaget innan sågen används.
- Kontrollera att inte klingan är i kontakt med arbetsstycket eller annat innan sågen sätts på.

GERINGSSÅGNING

VARNING:

- Vid geringssågning måste övre sågbordet låsas i översta läget så att klingan aldrig når upp över sågbordets yta.

FÖRSIKTIGT:

- Tryck inte onödigt hårt i handtaget under sågning. Detta kan leda till att motorn överbelastas och/eller försämrad sågning. Tryck ner handtaget endast så mycket som behövs för att sågningen ska löpa smidigt utan att klingans hastighet minskar påtagligt.
- Tryck försiktigt ner handtaget för att säga. Om handtaget trycks ner hårt eller i sidled kommer klingan att vibrera vilket ger sämre i arbetsstycket samtidigt som sågprecisionen försämras.

1. Genomsågning (Fig. 39)

Fäst arbetsstycket mot anhåll och geringsskiva.

Starta maskinen utan att klingan har någon kontakt och sänk den först när den har uppnått full hastighet. Handtaget sänks försiktigt så mycket det går för att säga arbetsstycket. När sågningen är klar stänger du av sågen och VÄNTAR TILLS KLINGAN HAR STANNAT HELT innan den lyfts upp.

2. Geringssågning

Se avsnittet "Ändra geringsvinkel".

3. Vinkelsågning (Fig. 40)

Lossa spaken och luta klingan till önskad vinkel (Se avsnittet "Ändra vinkel för vinkelsågning"). Dra sedan åt spaken igen så att den inställda vinkeln är säkert inställd. Fäst arbetsstycket mot anhåll och geringssskiva. Se till att löpvagnen dras tillbaka så långt det går mot användaren. Starta maskinen utan att klingan har kontakt med arbetsstycket och vänta tills klingan har uppnått full hastighet. Sänk sedan handtaget försiktigt tills det har sänkts helt medan du trycker på parallellt med sågklingan. När sågningen är klar stänger du av sågen och VÄNTAR TILLS KLINGAN HAR STANNAT HELT innan den lyfts upp.

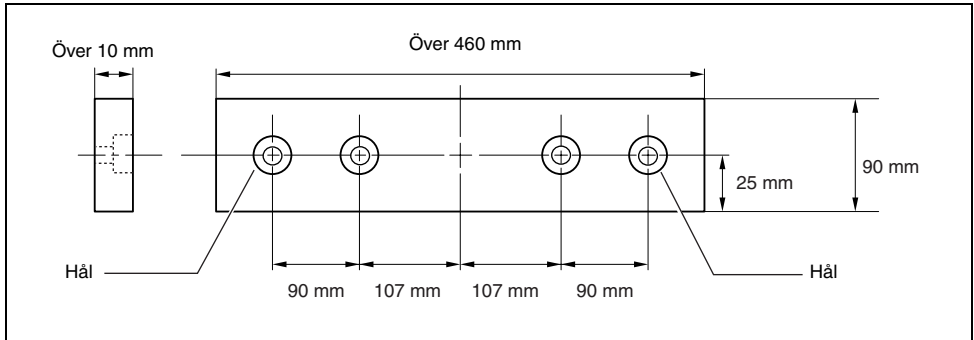
FÖRSIKTIGT:

- Se alltid till att klingan rör sig ner i vinkelriktningen när vinkelsågning görs. Håll händerna borta från sågklingans väg.
- Under vinkelsågning kan en avsågad bit ligga kvar mot klingans sida. Om då klingan lyfts upp medan den fortfarande roterar kan den biten dras med av klingan så att den, eller delar av den slungas iväg vilket är farligt. Klingan får höjas ENDAST om den har slutat att rotera.
- När handtaget trycks ner ska du trycka i samma riktning som klingan lutar. Om trycket inte är parallellt med sågklingan kan klingan förskjutas vilket ger sämre sågprecision.

6. Träskoning

Skoning med trä hjälper till att ge stickfri sågning av arbetsstycket. Sätt fast en skoningen på anhållet med hjälp av hålen i anhållet.

I figuren visas dimensionerna på föreslagen träskoning.



FÖRSIKTIGT:

- Använd ett rakt trästycke av järn tjocklek som skoning.
- Använd skruvar för att fästa träskoningen på anhållet. Skruvarna bör skruvas i så att deras huvuden inte sticker ut från skoningen.
- Vrid inte på geringssskivan när träskoningen sitter på och handtaget är nedsänkt. Detta skadar klingan och/eller träskoningen.

7. Upprepad sågning av samma längder (Fig. 42)

Vid sågning av flera stycken i samma längd inom ett storleksområde på mellan 240 och 400 millimeter kan fixeringsplattan underlätta arbetet. Montera fixeringsplattan på hållaren enligt figuren.

Rikta såglinjen i arbetsstycket antingen till vänster eller höger om spåret i spårbådden och justera fixeringsplattan så att den ligger an mot änden av arbetsstycket. Skruva sedan fast fixeringsplattan. När den inte används lossar du fixeringsplattan och vrider undan den så att den inte är i vägen.

4. Kombinerad sågning

Kombinerad sågning är när man gör en vinkelsågning och en geringsågning på samma gång, d.v.s. sågningen är vinklad i två led. Kombinerad sågning kan göras i de vinklar som anges i tabellen.

Vinkelsågning	Geringsvinkel
45°	Vänster och Höger 0° – 45°

I avsnittet "Genomsågning", "Geringsågning" och "Vinkelsågning" finns förklaringar för de olika momenten av kombinerad sågning.

5. Såga aluminium (Fig. 41)

När aluminiumprofiler fästs före sågning ska klossar eller andra bitar användas enligt figuren för att inte aluminiumprofilen ska deformeras. Använd en skärvätska vid sågning av aluminiumprofiler för att inte aluminiumrester ska fastna på klingan.

FÖRSIKTIGT:

- Försök aldrig att såga tjocka eller runda aluminiumprofiler. Tjocka aluminiumprofiler kan lossna under sågningen och runda profiler kan inte fästas ordentligt i den här maskinen.
- Såga aldrig i aluminium med maskinen som bänksåg.

OBSERVERA:

- Genom att använda stånghållarsatsen (tillbehör) går kan upprepad sågning göras i längder på upp till cirka 2 200 millimeter.

BÄNKSÅGNING

FÖRSIKTIGT:

- Vid bänksågning placerar du klingskyddet på geringsbordet så att klingskyddet är centrerat över uttaget för klingan i geringsbordet och de två små tapparna i klingskyddets undersida passar in i de halvcirkelformade uttagen i geringsbordets kant enligt figuren och lås sedan handtaget i lägsta position genom att trycka in låstappen helt. (Fig. 43)

- Använd alltid hjälpmedel såsom påskjutare eller klossar för att inte klingan ska skada händer och fingrar.
- Flytta ALDRIG arbetsstycket när klingan roterar. Om du vill ta ut arbetsstycket innan sågningen är klar stänger du först av maskinen och håller i arbetsstycket hårt. Vänta tills klingan har stannat helt innan du tar ut arbetsstycket. Om du inte gör på detta sätt kan du råka ut för bakåtkast.
- Flytta ALDRIG sågat material medan klingan roterar.
- Sätt ALDRIG händerna i klingans väg.
- Sätt alltid fast riktlinjalen för att undvika farliga bakåtkast.

Hjälpmedel

Påskjutare och klossar eller stödanhåll är exempel på hjälpmedel. Använd dem för säker sågning där du inte riskerar att komma i kontakt med klingan.

Påskjutarkloss (Fig. 44)

Använd en 15-millimeters plywoodbit.

Handtaget ska sitta i mitten av plywoodbiten. Sätt fast det med lim och skruvar enligt figuren. En liten träbit 10 x 9 x 30 millimeter måste alltid limmas på plywoodbiten så att användaren inte av misstag sågar i klossen vilket kan göra klingan slö. (Använd aldrig spik i klossen.)

Stödanhåll (Fig. 45 och 46)

Tillverka stödanhållet av 10 – 15 mm tjock plywood.

Tag bort riktlinjalen, låsskruven (A), brickan och fyrkantmuttern från riktlinjalens hållare och lås fast stödanhållet i hållaren med en M6-bult (längre än M6 x 50), brickor och mutter.

Klyvning

FÖRSIKTIGT:

Vid sågning av långa eller stora arbetsstycken måste tillräckligt med stöttor användas bakom bordet. LÅT INTE långa brädor röra sig på sågbordet. Detta kan orsaka kast som i sin tur kan skada dig. Stöttorna måste ha samma höjd som bordet.

1. Justera sågdjupet så att det är större än arbetsstyckets tjocklek. Sådan justering görs genom att lossa de två spakarna och höja eller sänka övre sågbordet.
2. Placera riktlinjalen på önskad klyvbredd och fäst den med låsskruven (A). Före klyvningen måste du kontrollera att riktlinjahlållarens två skruvar är åtdragna. Om inte drar du åt dem.
3. Starta maskinen och för försiktigt fram arbetsstycket in i klingan med riktlinjalen.
 - (1) Om klyvbredden är 40 millimeter eller mer använder du en påskjutare. (Fig. 47)
 - (2) Om klyvbredden är mindre än 40 millimeter kan inte påskjutaren användas eftersom den då kommer att ta i övre klingskyddet. Använd stödanhåll och påskjutarkloss. Montera stödanhållet stadigt i riktlinjahlållaren på bordet. Mata fram arbetsstycket för hand tills änden är ca. 25 millimeter från övre sågbordets framkant. Fortsätt matningen med en påskjutarkloss på stödanhållet tills sågningen är klar. (Fig. 48)

Att bära maskinen

Se till att maskinens nätsladd är utdragen. Fäst klingan vid 0-graders vinkelsågning och geringsskivan i maximal vänster geringsvinkel. Sänk ner handtaget helt och lås det i nedsänkt läge genom att trycka in låstappen helt. (Fig. 49)

Bär maskinen genom att hålla på båda sidorna av sågbordet enligt figuren. Om du tar bort hållare, spämsamlare m.m. blir maskinen enklare att bära. (Fig. 50)

FÖRSIKTIGT:

- Se till att alla rörliga delar sitter fast ordentligt innan maskinen flyttas.

UNDERHÅLL

FÖRSIKTIGT:

- Se alltid till att maskinen är avstängd och att sladden är utdragen före kontroller eller underhåll.

WARNING:

- Se alltid till att klingan är vass och ren för att få ett så bra och säkert resultat som möjligt.

Ändra sågvinkel

Maskinen är noga inställd på fabriken men ovarsam hantering kan påverka detta. Om sågen inte är korrekt riktad gör du på följande sätt:

1. Geringsvinkel

Lossa skruvhandtaget som håller geringsskivan. Vrid geringsskivan så att visaren pekar på 0° på geringsskalan. Dra åt skruvhandtaget och lossa sexkantbultarna som anhållet sitter i med en hylsnyckel. (Fig. 51)

Sänk ner handtaget helt och lås det i nedsänkt läge genom att trycka in låstappen. Kontrollera, med t.ex. vinkelhake, att klingans sida är vinkelrät mot anhållet. Dra sedan åt sexkantbultarna på anhållet ordentligt, början på höger sida. (Fig. 52)

2. Vinkelsågningsvinkel

- (1) 0° vinkel för vinkelsågning

Sänk ner handtaget helt och lås det i nedsänkt läge genom att trycka in låstappen. Lossa spaken på maskinens baksida. Skruva ut justeringsbulten för 0-graders vinkelsågning på geringsskivans högra sida två eller tre varv medurs så att klingan lutas åt höger. (Fig. 53)

Skruva sedan försiktigt ut justeringsbulten för 0-graders vinkelsågning moturs tills klingan är vinkelrät mot geringsskivan, använd t.ex. en vinkelhake. (Fig. 54)

Kontrollera att visaren på geringsskivan pekar på 0° på armens vinkelskala. Om den inte gör det skruva ut loss pilen och justerar den så att den pekar rätt. (Fig. 55)

- (2) 45° vinkel för vinkelsågning

Ställ in 45-graders vinkelsågning först efter att 0-graders vinkelsågning har ställts in. Lossa spaken och luta bladet maximalt åt vänster för att ställa in 45-graders vinkelsågning åt vänster. Kontrollera att visaren på armen pekar på 45° på armens vinkelskala. Om den inte gör det vrider du justeringsbulten för vänster 45° till vänster om armen tills visaren pekar på 45°. (Fig. 56)

Utbyte av kolborstarna (Fig. 57 och 58)

Ta ur och kontrollera kolborstarna med jämna mellanrum. Byt ut dem om de har slitits ner till slitgränsmarkeringen. Håll kolborstarna rena, och se till att de lätt kan röra sig i hållarna. Båda kolborstarna ska bytas ut samtidigt. Använd endast identiska kolborstar.

Använd en skruvmejsel för att ta bort locken över kolborsthållarna. Ta ur de utslitna kolborstarna, sätt i nya och sätt sedan tillbaka kolborsthållarnas lock.

Efter användning

- Torka bort de spån och det damm som har fastnat på maskinen med en tygduk eller liknande efter att arbetet är avslutat. Se till att du håller klingskyddet rent, i enlighet med de anvisningar som ges i avsnittet med titeln "Klingskydd" ovan. Smörj in de rörliga delarna med maskinolja för att förhindra rostbildning.

För att upprätthålla produktens SÄKERHET och TILLFÖRLITLIGHET bör allt underhålls- och justeringsarbete utföras av ett auktoriserat Makita servicecenter, med användning av Makita reservdelar.

TILLBEHÖR

FÖRSIKTIGHET:

- Dessa tillbehör och tillsatser rekommenderas för användning tillsammans med den maskin från Makita som anges i den här bruksanvisningen. Att använda några andra tillbehör eller tillsatser kan medföra en risk för personskador. Använd endast tillbehören och tillsatserna för de ändamål som de är avsedda för.

Kontakta ditt lokala Makita servicecenter om du behöver hjälp med eller mer detaljerad information om dessa tillbehör.

- Klingor med hårdmetall- och stålskär
- Stödplatta
- Tving (Horisontal tving)
- Vertikal tving
- Hylsnyckel nr. 13
- Hållaruppsättning
- Hållarsats
- Stånghållarsats
- Fixeringsplatta
- Spånsamlarpåse
- Vinkelhake
- Klingskydd (Klingskydd C)
- Påskjutare
- Linjal (Riktlinjal)

Forklaring til generell oversikt

1 Hjelpeplate	32 Sagbladhus	63 Holderenhet
2 Sekskantskrue	33 Pål	64 Skrustikkeknott
3 Fot	34 Ytre flens	65 Knast
4 Mutter	35 Indre flens	66 Skrustikkeskapt
5 Skrue	36 Spindel	67 Stang 12
6 Nedre bladvern A	37 Ring	68 Skrustikke (tilleggsutstyr)
7 Nedre bladvern B	38 Spaltekniv	69 Avstandsblokk
8 Øvre bladvern	39 Trykk i dette området	70 Aluminiumsprofil
9 Skrue	40 Bladets bredde	71 Settplate
10 Håndtak	41 Parallellanleggholder	72 Liten knott
11 Hendel	42 Føringssskinne på øvre sagbord	73 Side/kant parallell
12 Pipenøkkel	43 Klømskrue (A)	74 Treskrue
13 Justeringskrue	44 Klømskrue (B)	75 Lim sammen
14 Oversiden av dreiefoten	45 Parallellanlegg	76 Hull (7 mm i diameter)
15 Omkretsen av bladet	46 Parallellanleggholder	77 Stoppskive
16 Føringsvern	47 Arbeidsstykke	78 Mutter
17 Viser	48 Justeringslinje	79 Skrue M6
18 Låsehendel	49 Firkantmutter	80 Skyvepinne
19 Dreiehåndtak	50 Skala	81 Hjelpevern
20 Horisontal gjæringsskala	51 To skruer	82 Skyvekloss
21 Gjæringsskala i vertikalplanet	52 Støvtløp	83 Trekantlinjal
22 Startbryter	53 Stovpose	84 0° justeringskrue
23 Lampebryter	54 Festeskinne	85 Arm
24 Lamper	55 Hette	86 45° justeringskrue for vertikal gjæringsskive
25 Stopperstift	56 Støvsuger	87 Grensemerke
26 Klømskrue	57 Bladdeksel	88 Skrutrekker
27 Øvre sagbord	58 Støtte	89 Børsteholderhette
28 Motorhus	59 Dreiefot	
29 Senterdeksel	60 Skrustikkearm	
30 Spindellås	61 Skrustikkestang	
31 Sagblad	62 Holder	

Tekniske data

Modell

LH1040/LH1040F

Bladdiameter 255 mm – 260 mm

Hulldiameter

For alle land unntatt Europa 25,4 mm og 25 mm

For europeiske land 30 mm

Maks. sagekapasitet (H x B) med blad med 260 mm diameter ved gjæringssaging (gjæringssagmodus)

Skråvinkel	Gjæringssvinkel	
	0°	45°
0°	69 mm x 130 mm 93 mm x 95 mm	høyre 69 mm x 85 mm, 93 mm x 67 mm venstre 69 mm x 85 mm, 93 mm x 67 mm
45° (venstre)	35 mm x 130 mm 53 mm x 95 mm	høyre 35 mm x 91 mm, 49 mm x 67 mm venstre 35 mm x 65 mm, 49 mm x 42 mm


Maks. sagekapasitet ved 90° for bordsagen (benksagmodus) 40 mm

Tomgangshastighet (turtall) 4 800

Bordstørrelse (B x L) 260 mm x 405 mm

Mål (lengde x bredde x høyde) 530 mm x 476 mm x 535 mm

Nettovekt 13,7 kg

Sikkerhetsklasse  /II

- Grunnet det kontinuerlige forsknings- og utviklingsprogrammet, forbeholder vi oss retten til å foreta endringer i tekniske data uten forvarsel.
- Merknad: Tekniske data kan variere fra land til land.

Bruksområde

Maskinen er beregnet på rett kapping og (kun når den brukes som gjærings-sag på det nedre sagbordet) gjærings-saging i tre.

Strømforsyning

Maskinen må kun koples til den spenning som er angitt på typeskiltet og arbeider kun med enfas-vekselstrøm. Den er dobbelt verneisoleret i henhold til de Europeiske Direktiver og kan derfor også koples til stikkontakter uten jording.

Sikkerhetstips

For din egen sikkerhets skyld ber vi deg lese de medfølgende sikkerhetsreglene.

Ytterligere sikkerhetsregler for maskinen

For både gjærings-sagmodus og bordsagmodus (bensagmodus):

1. Bruk vernebriller og hørselvern. Bruk også annet passende personlig verneutstyr.
2. Du må ALDRI betjene denne maskinen med hansker, unntatt når du skifter sagblad eller håndterer materialer med ru overflate før maskinen settes i drift.
3. Hold gulvet rundt maskinen ryddig og fritt for løse materialer som f.eks. sagflis og kapp.
4. Ikke bruk sagen uten at vern og spaltekniv er montert. Kontroller at bladvernene er ordentlig lukket før bruk. Ikke bruk sagen hvis bladvernene ikke kan beveges fritt og ikke lukker seg momentant. Bladvernene må aldri klemmes fast eller bindes opp i åpen stilling. Skulle bladvernene ikke fungere normalt, må dette rettes omgående.
5. Renjør og pass på ikke å ødelegge spindelen, flensene (særlig monteringsflaten) og sekskant-skruen før eller under montering av bladet. Skade på disse delene kan resultere i bladbrekkasje. Dårlig montering kan få bladet til å vibrere/slingre eller glippe. Bruk bare flenser som er spesifisert for dette verktøyet.
6. Før du begynner å bruke maskinen, må du kontrollere nøye at bladet ikke har sprekker eller andre skader. Ikke bruk sagblad som er skadet eller deformert.
7. Bruk bare sagblader som er anbefalt av produsenten og som samsvarer med EN847-1, og vær oppmerksom på at spaltekniven ikke må være tykkere enn bredden av det snittede sagbladet lager, og ikke tynnere enn selve bladet.
8. Bruk alltid tilbehør anbefalt i denne håndboken. Bruk av uegnet tilbehør, som f.eks. slipende kappeskiver, kan forårsake helseskader.
9. Velg riktig sagblad for det materialet som skal kappes.
10. Ikke bruk sagblad som er laget av høyhastighetsstål.
11. For å redusere støynivået må du alltid passe på at bladet er skarpt og rent.
12. Bruk sagblad som er kvasset på riktig måte. Ikke overskrid den maksimale hastigheten som er avmerket på sagbladet.

13. Ikke sag metall, som f.eks. spiker og skruer. Se etter og fjern alle spikere, skruer og andre fremmedlegemer fra arbeidsstykket før arbeidet påbegynnes.
14. Slå ut eventuelle løse kvister fra arbeidsstykket FØR du begynner sagingen.
15. Ikke bruk maskinen i nærheten av brennbare væsker eller gasser.
16. Av hensyn til din egen sikkerhet må du fjerne sagflis, små trestykker osv. fra arbeidsområdet og sagbordet før du kobler maskinen til strømmettet og begynner å bruke den.
17. Operatøren har fått adekvat opplæring i bruk og justering av maskinen, og innsikt i dens virkemåte.
18. Hold hendene unna sagbladets bane, og pass på at hverken du selv eller andre personer kommer i veien for sagbladet. Unngå kontakt med blad som løper ut farten. Det kan fortsatt forårsake alvorlige helseskader. Strekk deg aldri over, forbi eller rundt sagbladet.
19. Vær årvåken til enhver tid, særlig ved ensformige og repeterende arbeidsoperasjoner. Ikke la deg lulle inn i en falsk følelse av sikkerhet. Sagblader er ekstremt hensynsløse.
20. Pass på at aksellåsen er løst når bryteren slås på.
21. Før du begynner å bruke maskinen på et arbeidsstykke, bør du la den gå en liten stund. Se etter vibrasjoner eller slingring som kan tyde på at bladet er montert feil eller dårlig balansert.
22. Vent til bladet har oppnådd maksimalt turtall før du begynner å kappe.
23. Maskinen bør ikke brukes til å lage riller, falser eller spor.
24. Ikke fjern kapp eller andre biter av arbeidsstykket fra sagemrådet så lenge maskinen går og saghodet ikke står i hvilestilling.
25. Hold opp å bruke maskinen omgående hvis du merker noe som ikke er som det skal.
26. Slå av maskinen og vent til sagbladet har stoppet helt før du flytter arbeidsstykket eller endrer innstillingene.
27. Trekk støpselet til maskinen ut av stikkkontakten før du skifter bladet, utfører vedlikehold eller tar maskinen ut av bruk.
28. Enkelte typer støv som dannes ved bruk av maskinen inneholder kjemikalier man vet kan forårsake kreft, fødselsdefekter eller annen skade på reproduksjonssystemet. Noen eksempler på slike kjemikalier er:
 - bly fra materiale som er malt med blybasert maling og
 - arsenikk og krom fra kjemisk behandlet treverk.Hvor stor risiko du inngår ved å eksponeres for disse stoffene avhenger av hvor ofte du utfører denne typen arbeid. For å redusere din eksponering for disse kjemikaliene: Jobb i et godt ventilert område, og bruk godkjent verneutstyr, som for eksempel støvmaske som er spesialkonstruert for å filtrere ut mikroskopiske partikler.
29. Ha en støvsuger koblet til maskinen mens du sager.

Når du bruker gjæringssagmodus:

30. Ikke bruk sagen til å kappe annet enn tre, aluminium eller liknende materialer.
31. Ikke jobb på frihånd hvis den arbeidsoperasjonen du skal utføre, innebærer at hendene dine kommer i nærheten av sagbladet. Arbeidsstykket må være godt festet mot dreiefoten og føringsvernet under alle operasjoner.
32. Pass på at dreiefoten er godt festet, så den ikke kan bevege seg under saging.
33. Pass på at armen er godt festet ved gjæringssaging i vertikalplanet. Stram hendelen med klokken for å feste armen.
34. Pass på at bladet ikke berører dreiefoten når det er i sin laveste stilling, og at det ikke berører arbeidsstykket før bryteren er slått på.
35. Hold håndtaket godt fast. Vær oppmerksom på at sagen beveger seg noe opp og ned under oppstart og stopping.
36. Skift ut skjæreplaten når den er slitt.

Når du bruker maskinen i bordsagmodus (benksagmodus):

37. Ikke utfør noen arbeidsoperasjoner på frihånd. "På frihånd" betyr at du bruker hendene dine til å støtte eller føre arbeidsstykket, i stedet for å bruke et parallellanlegg.
38. Pass på at armen er godt festet i arbeidsstilling. Stram hendelen med klokken for å feste armen.
39. Bruk en skyvepinne eller en skyvekloss så du ikke må bruke hender og fingre tett inntil sagbladet.
40. Pass på at benksagbordet er godt festet i den valgte høyden.
41. Forviss deg om at bladet ikke berører spaltekniven eller arbeidsstykket før startbryteren er slått på.
42. Ta alltid vare på skyvepinnen når den ikke er i bruk.
43. Vær spesielt oppmerksom på anvisninger som tar sikte på å redusere risikoen for **TILBAKESLAG** fra bladet (såkalt kickback). **TILBAKESLAG** er en plutselig reaksjon fra maskinen når sagbladet klemmes, setter seg fast eller ikke passer skikkelig. Ved **TILBAKESLAG** kastes arbeidsstykket fra maskinen og mot operatøren. **TILBAKESLAG KAN FØRE TIL ALVORLIGE HELSESKADER**. Unngå **TILBAKESLAG** ved å holde bladet skarpt, ved å holde parallellanlegget parallelt med bladet, ved å holde spaltekniven og bladvernet på plass og bruke maskinen ordentlig, ved ikke å løse arbeidsstykket før du har skjøvet det hele veien forbi bladet, og ved ikke å kløve et arbeidsstykke som er vridd eller kromet eller ikke har en rett kant som kan føres langs anlegget.
44. Unngå brå, hurtig mating. Utfør matingen så langsomt som mulig når du kapper harde arbeidsstykker. Ikke bøy eller vri et arbeidsstykke under matingen. Hvis bladet setter seg fast i arbeidsstykket, må du slå av maskinen omgående. Koble maskinen fra strømmettet. Fjern årsaken til at bladet satte seg fast.

TA VARE PÅ DISSE INSTRUKSENE.

MONTERING

NB!

- Hold gulvet rundt maskinen ryddig og fritt for løse materialer som f.eks. sagflis og kapp.

Monter hjelpeplaten (Fig. 1 og 2)

Monter hjelpeplaten ved å bruke hakket i foten av maskinen og feste den med en sekskantskrue.

Benkmontering (Fig. 3)

Denne maskinen må festes med to skruer til et jevnt og stabilt underlag ved hjelp av skru hullene i maskinfoten. Dette forhindrer at maskinen velter og forårsaker personskader.

FUNKSJONSBEKRIVELSE

NB!

- Forviss deg alltid om at maskinen er slått av og støpselet trukket ut av kontakten før du justerer maskinen eller kontrollerer dens mekaniske funksjoner.

Bladvernet (Fig. 4 og 5)

NB!

- Forviss deg om at håndtaket ikke kan senkes uten at hendelen like ved håndtaket skyves til venstre.
- Forviss deg om at de nedre bladvernene A og B ikke åpner seg, med mindre hendelen ved siden av håndtaket er skjøvet til håndtakets øverste stilling.

Når du senker håndtaket mens du skyver hendelen til venstre, heves det nedre bladvernet A automatisk. Det nedre bladvernet B heves når det berører et arbeidsstykke. De nedre bladvernene er fjærbelastet, så de returnerer til sine opprinnelige posisjoner når snittet er utført og håndtaket løftes. Det øverste bladvernet faller flatt mot oversiden etter at arbeidsstykket har passert under det. **HVERKEN DE NEDRE BLADVERNENE, FJÆREN SOM ER FESTET TIL DET NEDRE BLADVERNET, ELLER DET ØVRE BLADVERNET MÅ NOEN GANG FJERNES ELLER SETTES UT AV FUNKSJON.**

Av hensyn til din personlige sikkerhet, må du alltid holde bladvernene i god stand. Skulle bladvernene ikke fungere normalt, må dette rettes omgående. Kontroller at de nedre bladvernene fjærmekanisme fungerer som den skal. **MASKINEN MÅ ALDRI BRUKES HVIS DET NEDRE BLADVERNET, FJÆREN ELLER DET ØVRE BLADVERNET ER ØDELAGT, IKKE FUNGERER PERFEKT, ELLER ER FJERNET. DET VIL VÆRE MEGET FARLIG OG KAN FORÅRSAKE ALVORLIGE HELSESKADER.**

Hvis noen av disse gjennomskjulte bladvernene blir skitne, eller det setter seg så mye sagflis på dem at bladet ikke lenger er godt synlig, må du trekke støpselet til sagen ut av stikkkontakten og forsiktig rengjøre vernene med en fuktig klut. Ikke bruk løsemidler eller noen bensinbaserte rensemidler på plastvernet.

Hvis det nedre bladvernet A er særlig skittent og det er vanskelig å se gjennom det, må du gå frem som følger. Fest det øverste sagbordet i helt hevet stilling, hev håndtaket til øverste stilling, skyv stopperstiften helt inn mens håndtaket er helt oppe, og bruk den inkluderte pipenøkelen til å løse den sekskantskruen som holder senterdekslet. Løsne sekskantskruen ved å skru den mot klokken og heve det nedre bladvernet A og senterdekslet mens du skyver hendelen mot venstre. Når det nedre bladvernet A er plassert slik, blir rengjøringen både bedre og mer effektiv. Når rengjøringen er fullført, må du følge ovenstående prosedyre i motsatt rekkefølge, og feste skruen igjen.

Hvis samme situasjon som den som er beskrevet ovenfor, gjelder for det øvre bladvernet, må du løsne den skruen som holder det, med en skrute trekker, og fjerne det øvre bladvernet. Etter rengjøring må du alltid montere det ordentlig igjen, ved å stramme skruen så mye at det øvre bladvernet akkurat kan bevege seg jevnt opp eller ned. Hvis noen av disse bladvernene blir misfarget som følge av alder eller påvirkning fra UV-lys, må du ta kontakt med et Makita-servicesenter for å få et nytt vern. VERNENE MÅ IKKE FJERNES ELLER SETTES UT AV FUNKSJON.

Opprettholde maksimal sagekapasitet (Fig. 6 og 7)

Denne maskinen er fabrikkjustert til å gi maksimal sagekapasitet for et sagblad med 260 mm diameter. Når du installerer et nytt blad, må du alltid kontrollere den nederste mulige stillingen til bladet og om nødvendig justere denne som følger:

NB!

- Når du utfører denne justeringen, må du stille det øvre sagbordet i sin laveste stilling, etter at du har koblet maskinen fra strømmettet.

Trekk først støpselet til maskinen ut av stikkkontakten. Sett det øvre sagbordet i sin laveste stilling. Senk håndtaket helt. Bruk pipenøkkel til å skru på justeringsskruen som du finner under det største hullet i det øvre sagbordet, til omkretsen av bladet stikker litt lavere enn oversiden av dreiefoten der hvor forsiden av føringsvernet møter oversiden av dreiefoten.

Pass på at maskinen er koblet fra strømtilførselen, og dreid bladet for hånd mens du holder håndtaket helt nede, for å være sikker på at bladet ikke berører noen del av foten. Juster bladet litt på nytt, om nødvendig.

NB!

- Etter at du har installert et nytt blad, må du alltid forvise deg om at bladet ikke berører noen del av den nedre foten når håndtaket senkes helt. Støpselet til maskinen må alltid være ute av stikkkontakten når dette gjøres.

Justere den horisontale gjæringsvinkelen (Fig. 8)

Løsne dreiehåndtaket ved å skru det mot klokken. Drei dreiefoten mens du holder låsehendelen nede. Når du har flyttet dreiehåndtaket til den plasseringen hvor viseren peker på den ønskede vinkelen på den horisontale gjæringskalaen, må du stramme det godt ved å vri det med klokken.

NB!

- Når du dreier dreiefoten må du passe på å løfte håndtaket til dets øverste stilling.
- Etter at du har endret den horisontale gjæringsvinkelen, må du alltid feste dreiefoten ved å stramme dreiehåndtaket godt.

Justere gjæringsvinkelen i vertikalplanet (Fig. 9 og 10)

For å justere den vertikale gjæringsvinkelen må du løsne hendelen på baksiden av maskinen i retning mot klokken. Skyv håndtaket til venstre for å legge sagbladet på skrå, inntil viseren peker på den ønskede vinkelen på den vertikale gjæringskalaen. Stram så hendelen godt, i retning med klokken, for å feste armen.

NB!

- Når du legger sagbladet på skrå, må du passe på å løfte håndtaket til dets øverste stilling.
- Etter å ha endret gjæringsvinkelen i vertikalplanet må du alltid feste armen ved å stramme hendelen med klokken.

Bryterfunksjon (Fig. 11)

NB!

- Før du starter maskinen, må du være sikker på at maskinen er blitt slått på og av.

Start maskinen ved å trykke på ON-knappen (I). Stopp den ved å trykke på OFF-knappen (O).

Tenne lampene (Fig. 11 og 12)

Gjelder bare modell LH1040F

Skyv bryteren til øverste stilling for å slå lampen på, og til nederste stilling for å slå den av.

NB!

- Unngå å se direkte mot lyset eller rett inn i lyskilden.

MERK:

- Bruk en tørr klut til å tørke urenheter av lampelinsen. Vær forsiktig så det ikke blir riper i lampelinsen, da dette kan redusere lysstyrken.

Justere nivået av det øverste sagbordet (Fig. 13)

Juster nivået av det øvre sagbordet ved å løsne to hendler ved å vri dem mot klokken, og deretter heve eller senke det øvre sagbordet. Stram disse hendlene godt etter at justeringen er fullført.

ADVARSEL:

- Plasser det øvre sagbordet i sin øverste stilling når du bruker maskinen i gjæringsmodus, og i ønsket stilling når du bruker den i bordsagmodus (benkmodus).

SAMMENSETTING

NB!

- Forviss deg alltid om at maskinen er slått av og støpselet trukket ut av kontakten før du utfører noe arbeid på maskinen.

Montere eller fjerne sagbladet

NB!

- Forviss deg alltid om at maskinen er slått av og støpselet trukket ut av kontakten før du monterer eller fjerner bladet.
- Bruk bare den Makita-pipenøkkelen som fulgte med maskinen, til å montere eller fjerne bladet. Hvis du bruker en annen nøkkel, kan det føre til at sekskantskruen blir strammet for mye eller ikke tilstrekkelig. Dette kan resultere i helseskader.

Fest det øvre sagbordet i øverste stilling.

Lås håndtaket i øvre stilling ved å skyve inn stopperstiften. (Fig. 14)

For å fjerne bladet må du først løse klemskruen, slik at det nedre bladvernet B senkes som vist på figuren. (Fig. 15)

Bruk deretter pipenøkkelen til å løse sekskantskruen som holder nede senterdekslet, ved å skru den mot klokken. Hev det nedre bladvernet A og senterdekslet mens du skyver hendelen som befinner seg nær håndtaket, mot venstre. (Fig. 16)

Trykk på spindellåsen for å låse spindelen, og bruk pipenøkkelen til å løse sekskantskruen med klokken. Fjern så sekskantskruen, den ytre flensen og bladet. (Fig. 17) Monter bladet ved å sette det forsiktig på spindelen. Pass på at pilen på overflaten av bladet peker i samme retning som pilen på sagbladhuset. Monter den ytre flensen og sekskantskruen, og bruk så pipenøkkelen til å stramme sekskantskruen (venstregjenget) godt mot klokken, mens du trykker inn spindellåsen. (Fig. 18 og 19)

MERK:

- Når du monterer et sagblad, må du forvise deg om at du først setter det inn fra utsiden av bladvern B og deretter hever det slik at bladet til slutt befinner seg i bladvern B.

For alle ikke-europeiske land

NB!

- Den sølvfargede ringen med 25,4 mm ytre diameter er fabrikkmontert på spindelen. Den sorte ringen med 25 mm ytre diameter er inkludert som standardutstyr. Før du monterer bladet på spindelen, må du alltid være sikker på at det er den skiven som passer til bladets akselhull som er montert på spindelen. (Fig. 20)

For land i Europa

NB!

- Skiven med en ytre diameter på 30 mm er fabrikkmontert mellom inner- og ytterflensen. (Fig. 20)

Sett det nedre bladvernet A og senterdekslet tilbake på plass. Stram så sekskantskruen med klokken for å feste senterdekslet. Hev bladvern B så langt det går, og stram klemskruen godt mens du holder vernet i hevet stilling. Senk håndtaket for å forvise deg om at de nedre bladvernene beveger seg som de skal. Forviss deg om at spindellåsen har sluppet spindelen for du sager.

Justere spaltekniven

Før du justerer spaltekniven, må du løse de to hendlene ved å dreie dem mot klokken og trykke ned det øvre sagbordet på høyre side i nærheten av spaltekniven, til det når sin nederste stilling. Fest deretter det øvre sagbordet godt ved å stramme de to hendlene igjen, som vist på figuren. (Fig. 21)

Det må være en klaring på ca. 4 – 5 mm mellom spaltekniven og sagtennene. Juster spaltekniven på samme måte, ved å løse to sekskantskruer mot klokken med pipenøkkelen og måle avstanden. Stram sekskantskrueene godt, og kontroller at det øvre bladvernet beveger seg jevnt for sagingen påbegynnes. (Fig. 22)

Spaltekniven er blitt montert i fabrikk for utlevering, slik at bladet og spaltekniven ligger på en rett linje. (Fig. 23)

NB!

- Hvis bladet og spaltekniven ikke ligger helt på linje, kan det oppstå en farlig situasjon der bladet kommer i klem når maskinen brukes. Pass på at de ligger helt på linje. Du kan pådra deg alvorlige helseskader hvis du bruker maskinen uten at spaltekniven er korrekt justert. Hvis spaltekniv og blad av en eller annen grunn ikke ligger på linje, må du alltid få et autorisert Makita-servicesenter til å reparere maskinen.

Montere og justere parallellanlegget

1. Monter parallellanlegget på bordet, slik at holderen til parallellanlegget griper inn i foringssskinnen. Stram klemskruen (B) på parallellanlegget hardt med klokken.
2. Løse klemskruen (A).
3. Skyv parallellanlegget og fest det slik at den borte enden av det blir liggende på linje med det punktet hvor forkanten av sagbladet akkurat dukker opp på oversiden av arbeidsstykket. Hensikten med denne justeringen er å redusere den risikoen for tilbakeslag som består i at det avkappede stykket kan klemmes mellom sagbladet og parallellanlegget, for så å kastes mot operatøren. Linje 3 varierer med tykkelsen av arbeidsstykket eller bordnivået. Juster plasseringen av parallellanlegget i samsvar med tykkelsen av arbeidsstykket. Etter at du har justert parallellanlegget, må du stramme klemskruen (A) godt. (Fig. 24 og 25)

MERK:

- Det er fire måter å plassere parallellanlegget på, som vist på figuren. (Fig. 26) Parallellanlegget har to slisser på sidene, en slisse med en uthevet kant i nærheten på samme side, og en slisse uten en slik kant. Bruk overflaten av parallellanlegget med denne kanten vendt mot arbeidsstykket kun når du sager inn i et tynt arbeidsstykke.
- For å endre plassering av parallellanlegget må du fjerne det fra holderen sin ved å løse klemskruen (A) og endre plasseringen av parallellanlegget i forhold til holderen, slik at parallellanlegget vender mot holderen. Plasseringen vil avhenge av den konkrete arbeidssituasjonen, som vist på figuren. Sett firkantmutteren på parallellanleggholderen inn på baksiden av en av slissene på parallellanlegget, så de passer som vist på figuren.

For å bytte fra plassering A eller B til plassering C eller D, eller motsatt, må du fjerne firkantmutteren, skiven og klemskruen (A) fra parallellanleggholderen, og deretter sette klemskruen (A), skiven og firkantmutteren på motsatt side av parallellanleggholderen. Stram klemskruen (A) godt etter at du har satt inn firkantmutteren på holderen i slissen i parallellanlegget. Sett firkantmutteren på parallellanleggholderen inn på baksiden av en av slissene på parallellanlegget, så de passer som vist på figuren. (Fig. 27)

Parallellanlegget er fabrikkjustert, så det ligger parallelt med siden av bladet. Forviss deg om at de ligger parallelt. For å kontrollere at parallellanlegget ligger parallelt med bladet må du senke sagbordet til dets nederste stilling, så bladet dukker opp fra bordet når bladet er i sin øverste stilling. Marker en av sagtennene med en blyant. Mål avstanden (A) og (B) mellom parallellanlegget og bladet. Ta begge målene ved hjelp av den tannen som er markert med blyant. (Fig. 28) Disse to målene skal være identiske, hvis parallellanlegget derimot ikke er parallelt med bladet, må du gå frem som følger: (Fig. 29)

1. Skru de to justeringsskrueene mot klokken.
2. Flytt bakkanten av parallellanlegget litt til høyre eller venstre, inntil anlegget ligger parallelt med bladet.
3. Stram de to skrueene på parallellanlegget godt.

NB!

- Pass på at du justerer parallellanlegget slik at det ligger parallelt med bladet, ellers kan det oppstå en farlig situasjon som resulterer i tilbakeslag (kickback).
- Pass på å justere parallellanlegget så det ikke berører det øvre bladvernet eller sagbladet. (Fig. 30)

Støvpose

Støvposen forenkler støvoppsamlingen og gjør bruken av sagen renere. Fest støvposen ved å tre den over støvutløpet. (Fig. 31)

MERK:

- I gjæringsmodus må du alltid bare sette støvposen på det bakre munnstykket.

Når støvposen er ca. halvfull, må du fjerne støvposen fra maskinen og trekke ut festeskinnen. Tøm støvposen, og bank lett på den for å fjerne partikler som sitter fast på innsiden av posen og som kan være til hinder for videre støvoppsamling. (Fig. 32)

Hvis du kobler en støvsuger til sagen, blir driften av sagen enda mer effektiv og enda renere.

For å montere bladdekslet mens du bruker bordsagmodus (benkmodus), må du dreie dreiefoten til 0° horisontal gjæringsvinkel (se det kapitlet som har overskriften "Justere horisontal gjæringsvinkel") og plassere bladdekslet på dreiebordet, så bladdekslet er sentrert over slissen hvor bladet går inn i dreiebordet. Deretter må du låse håndtaket i nederste stilling ved å skyve stopperstiften helt inn, som vist på figuren. (Fig. 33)

MERK:

- For å feste støvposen til det fremre støvutløpet i bordsagmodus (benkmodus), må du først fjerne hetten fra det fremre støvutløpet og deretter feste støvposen til støvutløpet.
- Når støvposen ikke skal brukes, må du alltid sette hetten på plass igjen på det fremre støvutløpet. Hvis du ikke gjøre det, vil støv strømme ut fra utløpet.
- Når du bruker maskinen i bordsagmodus (benkmodus), må du forvise deg om at bladdekslet er montert på dreiebordet.

Feste arbeidsstykket

Der det er mulig må du feste arbeidsstykket med skrustikken (tilleggsstyr). Hvis du må holde arbeidsstykket med hånden, må du holde godt fast, så du ikke mister kontrollen over arbeidsstykket. Du må holde hånden og armen din på god avstand fra området rundt bladet (minst 100 mm). Klem arbeidsstykket godt mot føringsvernet mens du holder fingrene dine over toppen av føringsvernet. Arbeidsstykket må også ligge støtt på dreiefoten.

ADVARSEL:

- Du må aldri holde arbeidsstykket med hånden hvis det krever at du holder hånden nærmere sagbladområdet enn 100 mm. I så fall må du alltid bruke en skrustikke (tilleggsstyr) til å feste arbeidsstykket. Etter at du har utført en arbeidsoperasjon med sagen, må du heve bladet forsiktig. Bladet må aldri heves før det har stoppet helt. Det kan føre til alvorlige helseskader.

NB!

- Når du sager lange arbeidsstykker, må du bruke støtteklosser som er så høye som overflaten av dreiefoten. Ikke stol på at bare den vertikale og/eller den horisontale skrustikken (begge er tilleggsstyr) klarer å feste arbeidsstykket godt nok. (Fig. 34)

Tynne materialer har en tendens til å bøye seg. Støtt opp under arbeidsstykket over hele dets lengde for å unngå at bladet kommer i klem og eventuelt at bladet kastes TILBAKE mot deg.

Vertikal skrustikke (tilleggsstyr) (Fig. 35)

Den vertikale skrustikken kan monteres i to stillinger på enten venstre eller høyre side av føringsvernet eller holderenheten (tilleggsstyr). Sett skrustikkestangen inn i hullet i føringsvernet eller holderenheten og stram skruen for å feste stangen.

Plasser skrustikkearmen i samsvar med tykkelsen av og formen på arbeidsstykket, og fest skrustikkearmen ved å stramme skruen. Hvis skruen som fester skrustikkearmen berører føringsvernet, må du sette skruen på motsatt side av skrustikkearmen. Forviss deg om at ingen del av maskinen berører skrustikken når du senker håndtaket helt. Hvis noen del berører skrustikken, må du sette skrustikken i en ny stilling.

Trykk siden av arbeidsstykket mot føringsvernet og dreiefoten. Plasser arbeidsstykket i den ønskede kappestillingen og fest det godt ved å stramme skrustikkeknotten.

NB!

- Arbeidsstykket må være godt festet mot dreiefoten og føringsvernet.

Horisontal skrustikke (tilleggsstyr) (Fig. 36)

Den horisontale skrustikken kan monteres på enten venstre eller høyre side av foten. Ved gjæringsaging i en horisontal vinkel på 15° eller mer, må du montere den horisontale skrustikken på motsatt side av den som dreiefoten dreies mot. Hvis du skrur skrustikkeknotten mot klokken, løsnes skruen, og skrustikkeeskaffet kan beveges hurtig inn og ut. Hvis du skrur skrustikkeknotten med klokken, forblir skruen festet. Hvis du vil feste arbeidsstykket, må du skru skrustikkeknotten med klokken, inntil knasten når sin øverste stilling, og deretter stramme godt til. Hvis skrustikkeknotten skyves inn eller trekkes ut med makt mens den skrur inn med klokken, kan det hende at knasten blir stående på skjeve. I så fall må du skru skrustikkeknotten tilbake mot klokken, inntil skruen er løs, før du skrur forsiktig med klokken igjen.

Maksimal bredde av det arbeidsstykket som skal festes med den horisontale skrustikken, er 130 mm.

Holdere og holderenhet (tilleggsutstyr)

Holderne og holderenheten kan monteres på begge sider som et praktisk middel til å støtte opp arbeidsstykkene horisontalt. Monter dem som vist på figuren. Stram så skruene godt for å feste holderne og holderenheten. (Fig. 37)

Ved kapping av lange arbeidsstykker må holderstangenheten (tilleggsutstyr) brukes. Den består av to holderenheter og to stenger 12. (Fig. 38)

NB!

• Lange arbeidsstykker må alltid støttes slik at de ligger flatt ned på oversiden av dreiefoten. Dette er viktig for å oppnå nøyaktige snitt og for å motvirke at maskinen kommer ut av kontroll.

BRUK

NB!

- Før bruk må du passe på å løsne håndtaket fra den senkede posisjonen, ved å trekke ut stopperstiften.
- Forviss deg om at bladet ikke har kontakt med arbeidsstykket osv. før startbryteren er slått på.

BRUKE SAGEN SOM GJÆRINGSSAG

ADVARSEL:

• Når du bruker maskinen som gjæringssag, må du feste det øvre sagbordet i sin øverste stilling, slik at sagbladet aldri sklir frem på oversiden av det øvre sagbordet.

NB!

- Ikke bruk mer kraft på håndtaket enn nødvendig under saging. For stor kraft kan resultere i overbelastning av motoren og/eller redusert sageeffektivitet. Trykk ned håndtaket med bare akkurat så mye kraft som kreves for jevn saging, uten at bladhastigheten reduseres nevneverdig.
- Trykk håndtaket forsiktig ned for å lage snittet. Hvis håndtaket trykkes ned med makt, eller hvis bladet trykkes sideveis, vil bladet begynne å vibrere og etterlate et merke (sagmerke) i arbeidsstykket, og snittet vil bli mindre nøyaktig.

1. Trykksaging (Fig. 39)

Fest arbeidsstykket mot føringsvernet og drei bordet.

Slå på maskinen uten at bladet berører arbeidsstykket, og vent til bladet går med full hastighet før du senker det. Senk så forsiktig håndtaket til dets nederste stilling for å kappe arbeidsstykket. Når snittet er gjort, må du slå av maskinen og VENTE TIL BLADET HAR STOPPET HELT, før du setter bladet tilbake i helt oppreist stilling.

2. Gjæringssaging i horisontalplanet

Slå opp i avsnittet "Justere den horisontale gjæringsvinkelen" tidligere i denne håndboken.

3. Gjæringssaging i vertikalplanet (Fig. 40)

Løsne hendelen og vipp sagbladet til siden for å stille inn gjæringsvinkelen i vertikalplanet (se også avsnittet "Justere den vertikale gjæringsvinkelen" tidligere i denne håndboken). Pass på å stramme hendelen godt igjen for å feste den valgte gjæringsvinkelen skikkelig. Fest arbeidsstykket mot føringsvernet og drei bordet. Pass på at vognen er trukket helt tilbake mot operatøren. Slå på maskinen uten at bladet berører arbeidsstykket, og vent til bladet går med full hastighet. Senk så håndtaket forsiktig til det når sin nederste stilling, mens du utøver et visst press parallelt med bladet. Når snittet er gjort, må du slå av maskinen og VENTE TIL BLADET HAR STOPPET HELT, før du setter bladet tilbake i helt oppreist stilling.

NB!

- Pass alltid på at bladet vil bevege seg ned i riktig skråretning ved gjæringssaging i vertikalplanet. Hold hendene unna sagbladets bane.
- Under gjæringssaging i vertikalplanet kan det hende at det stykket som er kappet av vil bli liggende inntil siden av sagbladet. Hvis bladet er hevet mens det fortsatt roterer, kan det komme borti dette stykket og sende fliser eller biter i alle retninger, hvilket kan være farlig. Bladet må BARE heves etter at det helt har sluttet å rotere.
- Når du trykker ned håndtaket, må kraften utøves parallelt med bladet. Hvis kraften ikke er rettet parallelt med bladet under saging, kan bladvinkelen endres, og snittet vil bli mindre nøyaktig.

4. Kombinasjonssaging

Kombinasjonssaging går ut på at gjæringssaging i vertikalplanet utføres samtidig som det sages en gjæringsvinkel i horisontalplanet. Kombinasjonssaging kan foregå i de vinklene som er vist i tabellen.

Vertikal gjæringsvinkel	Horisontal gjæringsvinkel
45°	Venstre og høyre 0° – 45°

I forbindelse med kombinasjonssaging kan du slå opp under "Trykksaging", "Gjæringssaging i horisontalplanet" og "Gjæringssaging i vertikalplanet".

5. Kappe aluminiumsprofil (Fig. 41)

Når du fester aluminiumsprofiler, må du bruke avstandsklosser eller biter av kapp som vist på figuren for å forhindre at aluminiumet blir deformert. Bruk en skjærevæske ved saging av aluminiumsprofiler, for å hindre opphopning av aluminiumspon på bladet.

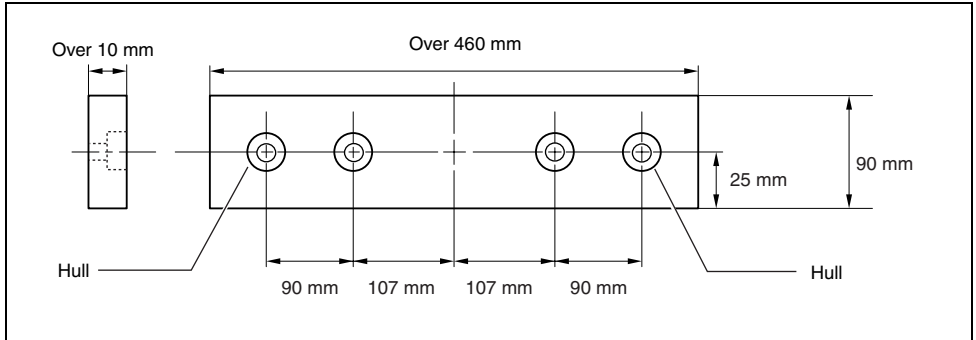
NB!

- Forsøk aldri å kappe tykke eller runde aluminiumsprofiler. Tykke aluminiumsprofiler kan løsne under saging, og runde aluminiumsprofiler kan ikke festes tilstrekkelig godt med denne maskinen.
- Du må aldri sage aluminium i bordsagmodus (benkmodus).

6. Gjæringskloss

Bruk av en gjæringskloss bidrar til at det ikke går fliser av arbeidsstykkene. Fest en gjæringskloss til føringsvernet ved hjelp av hullene i føringsvernet.

Se figuren når det gjelder dimensjonene på et forslag til gjæringskloss.



NB!

- Bruk rett plank av jevn tykkelse som gjæringskloss.
- Bruk skruer til å feste gjæringsklossen til føringsvernet. Skruene må være montert slik at skruhodene befinner seg under overflaten til gjæringsklossen.
- Når gjæringsklossen er festet, må du ikke dreie dreiefoten med håndtaket senket. Bladet og/eller gjæringsklossen vil bli skadet.

7. Kapping av flere like lengder (Fig. 42)

Når du kapper flere bord med samme lengde, mellom 240 mm og 400 mm, vil bruk av settplaten bidra til å gjøre arbeidet mer effektivt. Monter settplaten på holderen som vist på figuren. Plasser arbeidsstykket slik at kappelinjen blir liggende overrett med enten venstre eller høyre side av sporet i skjæreplaten. Hold deretter arbeidsstykket så det ikke beveger seg, og flytt settplaten flatt inntil enden av arbeidsstykket. Fest så settplaten med skruen. Når settplaten ikke skal brukes, må du løsne skruen og dreie settplaten bort, så den ikke er i veien.

MERK:

- Bruk av en holderstangenhet (tilleggsutstyr) muliggjør kapping av flere like lengder på opptil ca. 2 200 mm.

BRUK SAGEN SOM BORDSAG (BENKMODUS)

NB!

- Når du bruker maskinen i bordsagmodus (benkmodus), må du plassere bladdekslet på dreiebordet, slik at bladdekslet er sentrert over slissen hvor bladet går inn i dreiebordet og to små knotter på undersiden av bladdekslet passer inn i den halvsirkelformede slissen i omkretsen av dreiebordet, som vist på figuren. Lås deretter håndtaket i dets laveste stilling ved å skyve stopperstiften helt inn. (Fig. 43)
- Bruk alltid "hjelpemidler", som f.eks. skyvepinner og skyveklosser når det er fare for at hendene eller fingrene dine vil komme for nær bladet.
- Arbeidsstykket må ALDRI trekkes tilbake mens bladet går. Hvis du må trekke arbeidsstykket tilbake før snittet er avsluttet, må du først slå av maskinen mens du holder arbeidsstykket godt fast. Vent til bladet har stoppet helt før du trekker arbeidsstykket tilbake. Hvis du ikke gjør dette, kan resultatet bli farlige tilbakeslag.

- Kapp må ALDRI fjernes mens bladet går.
- Du må ALDRI holde hendene eller fingrene dine i sagbladets bane.
- Du må alltid feste parallellanlegget godt, ellers kan arbeidsstykket kastes ut (tilbakeslag/kickback).

Hjelpemidler

Skyvepinner, skyveklosser eller hjelpevern er ulike typer "hjelpemidler". Bruk dem til å lage trygge, sikre snitt uten at operatøren må berøre bladet med noen del av kroppen.

Skyvekloss (Fig. 44)

Bruk et 15 mm stykke av finér.

Håndtaket bør befinne seg i midten av finérstykket. Fest det med lim og treskruer, som vist. Et lite trestykke på 10 mm x 9 mm x 30 mm må alltid være limt til finéren for at bladet ikke skal bli sløvt hvis operatøren ved en feiltakelse sager litt inn i skyveklossen. (Det må aldri være spikre i skyveklossen.)

Hjelpevern (Fig. 45 og 46)

Lag hjelpevernet av finérbiter på 10 mm og 15 mm. Fjern parallellanlegget, klemskruen (A), den flate skiven og firkantmutteren fra parallellanleggholderen. Sett på og fest deretter hjelpevernet til parallellanleggholderen ved hjelp av en M6-skruer som er lenger enn M6 x 50, skiver og mutter.

Kløvning

NB!

- Når du kapper lange eller store arbeidsstykker, må du alltid sørge for tilstrekkelig støtte bak bordet. IKKE la et langt bord flytte på seg på sagbordet. Dette vil føre til at bladet setter seg fast, og øke muligheten for et tilbakeslag og helseskader. Støtten bør ha samme høyde som sagbordet.
1. Juster dybden av snittet, så det er litt høyere enn tykkelsen av arbeidsstykket. For å utføre denne justeringen må du løsne to hendler og senke eller heve det øvre sagbordet.

2. Plasser parallellanlegget ved den ønskede kløvingsbredden og fest det ved å stramme klemskruen (A). Før kløving må du passe på at de to skruene på parallellanleggholderen er festet. Hvis de ikke er festet, må du feste dem igjen.
3. Slå på maskinen og mat arbeidsstykket forsiktig inn mot bladet, langs parallellanlegget.
 - (1) Når kløvingsbredden er 40 mm eller større, må du bruke en skyvepinne. (Fig. 47)
 - (2) Når kløvingsbredden er mindre enn 40 mm, kan ikke skyvepinnen brukes, fordi den vil treffe det øvre bladvernet. Bruk hjelpevernet og skyveklossen. Monter hjelpevernet godt. Hjelpevernet er festet til parallellanleggholderen på bordet. Mat arbeidsstykket for hånd, inntil enden er ca. 25 mm fra forkanten av det øverste sagbordet. Fortsett å mate arbeidsstykket ved hjelp av skyveklossen på toppen av hjelpevernet, inntil snittet er fullført. (Fig. 48)

Bære maskinen

Pass på at maskinen er koblet fra strømmettet (støpselet ute av stikkkontakten). Fest bladet i en vertikal gjæringsvinkel på 0°, og drei dreiefoten til største mulige venstre gjæringsvinkel i horisontalplanet. Senk håndtaket helt og lås det i nedre stilling ved å skyve stopperstiften helt inn. (Fig. 49)

Bær maskinen fra begge sider av maskinfoten, som vist på figuren. Hvis du fjerner holderne, støvposen osv., blir det enklere å bære maskinen. (Fig. 50)

NB!

- Fest alle bevegelige deler før maskinen skal flyttes.

VEDLIKEHOLD

NB!

- Forviss deg alltid om at maskinen er slått av og støpselet trukket ut av kontakten før du foretar inspeksjon eller vedlikehold.

ADVARSEL:

- Pass på at bladet alltid er skarpt og rent. Da er det tryggest å bruke sagen, og resultatet blir best mulig.

Justere kappevinkelen

Denne maskinen ble justert og fininnstilt i fabrikk, men uforsiktig håndtering kan ha påvirket innstillingen. Hvis maskinen din ikke er innstilt skikkelig, må du gjøre følgende:

1. Horisontal gjæringsvinkel

Løsne håndtaket som holder dreiefoten. Drei dreiefoten slik at viseren peker på 0° på den horisontale gjæringskalaen. Stram dreieføthåndtaket og løsne sekskantskruene som holder føringsvernet, ved hjelp av pipenøkkel. (Fig. 51)

Senk håndtaket helt og lås det i nedre stilling ved å skyve inn stopperstiften. Bruk en trekantlinjal, en ansatsvinkel el.l. til å stille inn en rett vinkel mellom sagbladet og føringsvernet. Trekk deretter sekskantskruene på føringsvernet godt til, fra høyre mot venstre. (Fig. 52)

2. Gjæringsvinkel i vertikalplanet

(1) 0° vertikal gjæringsvinkel

Senk håndtaket helt og lås det i nedre stilling ved å skyve inn stopperstiften. Løsne hendelen på baksiden av maskinen. Drei justeringsskruen for 0° gjæringsvinkel i vertikalplanet på høyre side av dreiefoten to eller tre omdreininger med klokken for å vippe bladet mot høyre. (Fig. 53)

Bruk en trekantlinjal, en ansatsvinkel el.l. til forsiktig å stille inn en rett vinkel mellom sagbladet og oversiden av dreiefoten, ved å skru justeringsskruen for 0° gjæringsvinkel i vertikalplanet mot klokken. (Fig. 54) Pass på at viseren på dreiefoten peker på 0° på skalaen for den vertikale gjæringsvinkelen på armen. Hvis den ikke peker på 0°, må du løsne skruen som holder viseren, og justere denne så den peker på 0°. (Fig. 55)

(2) 45° vertikal gjæringsvinkel

45° vertikal gjæringsvinkel må bare justeres etter justering av 0° vertikal gjæringsvinkel. Juster venstre 45° vertikal gjæringsvinkel ved å løsne hendelen og vippe bladet så langt som mulig mot venstre. Pass på at viseren på armen peker på 45° på skalaen for den vertikale gjæringsvinkelen på armen. Hvis viseren ikke peker på 45°, må du skru på justeringsskruen for 45° vertikal gjæringsvinkel på venstre side av armen, til viseren peker på 45°. (Fig. 56)

Utskiftning av kullbørster (Fig. 57 og 58)

Ta ut og kontroller kullbørstene regelmessig. Skift ut kullbørstene når de er slitt ned til slitastjengrensen. Hold kullbørstene rene og klare til å bli satt inn i holderne. Begge kullbørstene må skiftes ut samtidig. Bruk kun helt like kullbørster.

Bruk en skrutrekker til å fjerne børsteholderhettene. Ta ut de slitte kullbørstene, sett inn nye børster og fest børsteholderhettene.

Etter bruk

- Etter at maskinen har vært i bruk, børst av sagspon og støv som har festet seg på maskinen med en klut eller lignende. I samsvar med bestemmelsene beskrevet i avsnittet "Bladvern" må bladvernet holdes rent. Smør de skyvbare delene på maskinen med maskinolje for å forhindre rustdannelse.

For å garantere at maskinen arbeider SIKKERT og PÅLITELIG, bør alle reparasjoner, alt vedlikehold og justeringer utføres av et autorisert Makita-servicesenter. Bruk kun deler produsert av Makita.

TILLEGGSUTSTYR

NB!

- Tilleggsutstyr eller tilbehør som anbefales for din Makita-maskin er spesifisert i denne bruksanvisningen. Bruk av annet tilleggsutstyr eller tilbehør enn dette kan øke risikoen for personskader. Tilleggsutstyr eller annet tilbehør må bare brukes for de formål det er beregnet for.

Hvis du har behov for flere detaljer som gjelder dette ekstrautstyret, spør ditt lokale Makita servicesenter om hjelp.

- Sagblad med stål- og karbidskjær
- Hjelpeplate
- Skrustikke-enhet (horisontal skrustikke)
- Vertikal skrustikke
- Pipenøkkel 13
- Holdersett
- Holderenhet
- Holderstangenhet
- Settplate
- Støvpose
- Trekantlinjal
- Bladdeksel (bladvern C)
- Skyvepinne
- Linjalenhet (parallellanlegg)


Yleisselostus

1 Apulevy	33 Nuoli	65 Ulkonema
2 Kuusiopultti	34 Ulkolaippa	66 Ruuvipuristimen kara
3 Jalusta	35 Sisälaippa	67 Tanko 12
4 Mutteri	36 Kara	68 Ruuvipuristin (lisävaruste)
5 Pultti	37 Rengas	69 Välike
6 Terän alasuojus A	38 Halkaisuterä	70 Alumiininen puristetanko
7 Terän alasuojus B	39 Painettava alue	71 Pohjalevy
8 Terän yläsuojus	40 Terän leveys	72 Pieni nysty
9 Ruuvi	41 Halkaisuohjaimen pidin	73 Aseta/tasaa samansuuntaisiksi
10 Kahva	42 Yläpöydän ohjauskisko	74 Puuruuvi
11 Vipu	43 Kiristysruuvi (A)	75 Liimaa yhteen
12 Hylysavain	44 Kiristysruuvi (B)	76 Reikä (halkaisijaltaan 7 mm)
13 Säätipultti	45 Halkaisuohjain	77 Väillevy
14 Kääntöjalustan yläpinta	46 Halkaisuohjaimen pidin	78 Mutteri
15 Terän reuna	47 Työkappale	79 Pultti M6
16 Ohjain	48 Linja, jonka mukaan tasata	80 Työntösauva
17 Osoitin	49 Neliömäinen mutteri	81 Apuohjain
18 Lukitusvipu	50 Asteikko	82 Työntöpalikka
19 Kädensija	51 Kaksi ruuvia	83 Kolmikulma
20 Jiirisahaustasteikko	52 Pölysuutin	84 0° säätipultti
21 Viisteytysasteikko	53 Pölypussi	85 Varsi
22 Kytkin	54 Suljin	86 45° viistekulman säätipultti
23 Valokytkin	55 Kansi	87 Rajamerkki
24 Lamput	56 Pölynimuri	88 Ruuvitalta
25 Rajoitintappi	57 Teräsuojus	89 Harjanpitimen kansi
26 Kiristysruuvi	58 Tuki	
27 Yläpöytä	59 Kääntöjalusta	
28 Moottorin kotelo	60 Ruuvipuristimen varsi	
29 Keski-suojus	61 Ruuvipuristimen tanko	
30 Karalukitus	62 Pidin	
31 Sahanterä	63 Pidinsarja	
32 Teräkotelo	64 Varren nuppi	

TEKNISET TIEDOT

Malli	LH1040/LH1040F
Terän halkaisija.....	255 mm – 260 mm
Reiän halkaisija	
Kaikki muut paitsi Euroopan maat.....	25,4 mm ja 25 mm
Euroopan maat.....	30 mm
Suurin sahauskyky (K x L) 260 mm halkaisijan terällä käytettäessä jiirisahausta	

Viistekulma	Jiirisahauskulma	
	0°	45°
0°	69 mm x 130 mm 93 mm x 95 mm	oikea 69 mm x 85 mm, 93 mm x 67 mm vasen 69 mm x 85 mm, 93 mm x 67 mm
45° (vasen)	35 mm x 130 mm 53 mm x 95 mm	oikea 35 mm x 91 mm, 49 mm x 67 mm vasen 35 mm x 65 mm, 49 mm x 42 mm

Suurin 90° sahauskyky pöytäsaahalla (penkkisahaus)	40 mm
Tyhjäkäyntinopeus (min ⁻¹)	4 800
Pöydän koko (L x P)	260 mm x 405 mm
Mitat (p x l x k)	530 mm x 476 mm x 535 mm
Nettopaino	13,7 kg
Turvakuukitus	 /II

- Jatkuvan tutkimus- kehitysohjelman vuoksi pidätämme oikeuden muuttaa tässä mainittuja teknisiä ominaisuuksia ilman ennakkoilmoitusta.
- Huomaa: Tekniset ominaisuudet saattavat vaihdella eri maissa.

Käyttötarkoitus

Kone on tarkoitettu puun tarkkaan suoraan sahaamiseen ja (vain käytettäessä jirrisahana alatasolla) jirrisahaamiseen.

Virransyöttö

Laitteen saa kytkeä ainoastaan virtalähteeseen, jonka jännite on sama kuin tyyppikivissä ilmoitettu. Laitetta voidaan käyttää ainoastaan yksivaiheisella vaihtovirralla. Laite on kaksinkertaisesti suojaeristetty eurooppalaisten standardin mukaisesti, ja se voidaan tästä syystä liittää maadoittamattomaan pistorasiaan.

Turvaohjeita

Oman turvallisuutesi vuoksi lue mukana seuraavat turvaohjeet.

LISÄTURVAOHJEITA KONEELLE

Jirrisahaaminen ja pöytäsaahaaminen (penkkisahaaminen)

1. Käytä silmäsuojusta ja kuulosuojaimia. Käytä myös muita tarvittavia suojavälineitä.
2. ÄLÄ KOSKAAN käytä käsinettä työskentelyn aikana paitsi vaihtaessasi sahanteriä ja käsitellessäsi karkeita materiaaleja ennen työskentelyä.
3. Pidä konetasoa ympäröivä alue kunnossa ja poista irtonaiset esineet kuten lastut ja irtisahaat kappaleet.
4. Älä käytä sahaa ilman, että suojukset ja halkaisuterä ovat paikallaan. Tarkista aina ennen käyttöä, että terien suojukset sulkeutuvat oikein. Älä käytä sahaa, jos terien suojukset eivät liiku vapaasti ja sulkeudu välittömästi. Älä koskaan purista tai sido terien suojuksia aukinaiseen asentoon. Terien suojusten tavallisesta poikkeava toiminta tulee korjata välittömästi.
5. Puhdista kara, laipat (etenkin kiinnityspinta) ja kuusiopultti ja varo voittamasta niitä, kun kiinnität terän. Näiden osien voittuminen voi rikkoa terän. Huono asennus voi aiheuttaa värinä/huojuntaa tai terän lipsumista. Käytä vain tälle koneelle tarkoitettuja laippoja.
6. Tarkista terä murtumien ja vikojen varalta ennen käyttöä. Älä käytä sahaa voittuneella tai väentyneellä terällä.
7. Käytä vain valmistajan suosittelemia EN847-1 mukaisia sahanteriä. Huomaa, että halkaisuterä ei saa olla paksumpi kuin sahanterän tekemä ura eikä ohuempi kuin terän runko.
8. Käytä aina tässä ohjekirjassa suositeltuja varusteita. Värien varusteiden kuten hiomakatkaisulaikkojen käyttö voi johtaa loukaantumiseen.
9. Valitse sahattavalle materiaalille sopiva sahanterä.
10. Älä käytä nopeasta teräksestä valmistettuja sahanteriä.
11. Varmista aina, että terä on terävä ja puhdas vähentääksesi melua.
12. Käytä oikein teroitettuja sahanteriä. Noudata sahanterään merkittyä enimmäisnopeutta.
13. Älä sahaa metallia kuten nautoja ja ruuveja. Tarkista työkappale ennen työskentelyä ja poista kaikki naulat, ruuvit ja muut vieraat esineet.
14. Napauta irti mahdolliset löysät oksankohdat ENNEN sahauskeskuksen aloittamista.

15. Älä käytä konetta syytyvien nesteiden tai kaasujen tunteissa.
16. Poista oman turvallisuutesi vuoksi lastut, pienet kappaleet yms. työskentelyalueelta ja pöytäasolta ennen koneen käynnistämistä ja työskentelyn aloittamista.
17. Käyttäjän tulee olla harjaantunut koneen käyttöön, säätöihin ja käsittelyyn.
18. Pidä kädet, itsesi ja sivulliset pois sahanterän kululinjalta ja sivussa sen linjalta. Älä koske vapaalla pyörivään terään. Sekin voi aiheuttaa vakavan loukaantumisen. Älä koskaan kurota sahanterän ohi.
19. Ole jatkuvasti valppaana erityisesti toistuvien, yksitoikkoisten töiden aikana. Älä tuudittaudu väärään turvallisuuden tunteeseen. Terät eivät anna virheitä anteeksi.
20. Varmista ennen kytkimen käynnistämistä, että karalukitus on vapautettu.
21. Anna koneen käydä hetken aikaa ennen sen käyttämistä työkappaleeseen. Tarkkaile konetta mahdollisen värinän ja huojumisen varalta, joka voi olla merkki huonosta asennuksesta tai huonosti tasapainotetusta terästä.
22. Odota, että terä saavuttaa täyden nopeutensa, ennen kuin sahaat.
23. Konetta ei saa käyttää rakojen, huullostojen eikä urien tekemiseen.
24. Älä poista irtisahaattuja kappaleita äläkä muita työkappaleen osia sahausalueelta, kun kone käy ja kun se ei ole lepoasennossa.
25. Lopeta työskentely välittömästi, jos havaitset jotain tavallisesta poikkeavaa.
26. Sammuta kone ja odota, että sahanterä on kokonaan pysähtynyt, ennen kuin siirrät työkappaletta tai muutat asetuksia.
27. Irrota kone pistorasiasta ennen terän vaihtamista, huoltotoimia ja kun sitä ei käytetä.
28. Työskentelyssä syntyvä pöly voi sisältää kemikaaleja, joiden tiedetään aiheuttavan syöpää, syntymävikoja ja muita lisääntymishäiriöitä. Esimerkkejä tällaisista kemikaaleista ovat:
 - liijypohjaisten maalien sisältämä liijy ja
 - kemiallisesti käsitellyn puutavaran sisältämä arsenikki ja kromi.Altistumisen aiheuttama riski vaihtelee riippuen tällaisen työn toistuvuudesta. Altistumista voi rajoittaa seuraavasti: työskentele tiloissa, joissa on hyvä ilmanvaihto ja käytä asianmukaisia suojavausteita kuten hengityssuojaimia, jotka on erityisesti suunniteltu suodattamaan mikrooskoppiset hiukkaset.
29. Liitä kone pölynkeräimeen sahauskeskuksen ajaksi.

Käytettäessä konetta jirrisahana:

30. Älä sahaa muita materiaaleja kuin puuta, alumiinia tai vastaavaa.
31. Älä työskentele käsivaralta sahatessasi työkalua lähellä sahanterää. Työkappale tulee tukea kaikkien töiden ajaksi vankasti kääntöjaluustaa ja ohjainta vasten.
32. Varmista, että kääntöjaluusta on kunnolla kiinnitetty, jotta se ei siirry työskentelyn aikana.
33. Varmista, että varsi on tiukasti kiinnitetty viisitesahaushauksen aikana. Kiinnitä varsi kiristämällä vipua myötäpäivään.

34. Varmista, että terä ei kosketa kääntöjalustaa alasennoissaan ja että se ei kosketa työkappaletta ennen kytkimen käynnistämistä.
35. Tartu kahvaan tiukasti. Muista, että saha liikkuu hieman ylös tai alas käynnistyksen ja pysähtymisen aikana.
36. Vaihda kulunut uurrastaso uuteen.

Käytettäessä konetta pöytäsaahana (penkkisahanana):

37. Älä tee mitään töitä käsivaralta. Käsivara tarkoittaa työkappaletta tai ohjaimen tukemista käsin halkaisuhajaimen sijaan.
38. Varmista, että varsi on tiukasti kiinnitetty työasentoon. Kiinnitä varsi kiristämällä vipua myötäpäivään.
39. Käytä työntösauvaa tai -palikkaa välttääksesi käsin ja sormien joutumisen sahanterän lähelle.
40. Varmista, että sahapenkki on tiukasti kiinnitetty valitulle korkeudelle.
41. Varmista, että terä ei kosketa halkaisuterää eikä työkappaletta ennen kytkimen käynnistämistä.
42. Varastoi työntösauva aina kun sitä ei käytetä.
43. Kiinnitä erityistä huomiota ohjeisiin, joiden tarkoitus on vähentää TAKAISKUN vaaraa. TAKAISKU on puristuksiin jääneen, jumittuneen tai väärin suunnatun sahanterän äkillinen reaktio. TAKAISKU heittää työkappaletta irti koneesta käyttäjää kohti. TAKAISKU VOI AIHEUTTAA VAKAVAN LOUKKAANTUMISEN. Vältä TAKAISKU pitämällä terä terävänä, pitämällä halkaisuhajain terän suuntaisena, pitämällä halkaisuterä ja teräsuojus paikallaan ja toimintakunnossa, olemalla vapauttamatta työkappaletta ennen kuin se on työnnetty kokonaan terän ohi sekä olemalla halkaisematta työkappaletta, joka on kiertynyt tai vääntynyt tai jonka ohjainta vasten oleva reuna ei ole suora.
44. Vältä nykivää, nopeaa syöttämistä. Syötä mahdollisimman hitaasti sahatessasi kovia työkappaleita. Älä taivuta äläkä väännä työkappaletta syötön aikana. Jos terä jumittuu työkappaaleeseen, sammuta kone välittömästi. Irrota kone pistorasiasta. Poista sitten tukos.

SÄILYTÄ NÄMÄ OHJEET.

ASENNUS

VARO:

- Pidä konetasoa ympäröivä alue kunnossa ja poista irtosat esineet kuten lastut ja irtisahatut kappaleet.

Apulevyn asentaminen (Kuvat 1 ja 2)

Asenna apulevy koneen jalustassa olevan kolon avulla ja kiinnitä se kiristämällä kuusiopultti.

Penkkiasennus (Kuva 3)

Kone tulee pultatta kahdella pultilla tasaiselle ja vakaalle alustalle koneen jalustassa olevien pultinreikien avulla. Tämä estää osaltaan koneen kaatumista ja mahdollista loukkaantumista.

TOIMINTOJEN KUVAUS

VARO:

- Varmista aina ennen koneelle tehtäviä säätöjä ja tarkistuksia, että kone on sammutettu ja irrotettu pistorasiasta.

Teräsuojus (Kuvat 4 ja 5)

VARO:

- Varmista, että kahvaa ei voi laskea painamatta kahvan lähellä olevaa vipua vasemmalle.
- Varmista, että terän alasuojukset A ja B eivät aukea ennen kuin kahvan lähellä olevaa vipua painetaan kahvan yläasennossa.

Kun kahva lasketaan samalla kun vipua painetaan vasemmalle, terän alasuojus A nousee automaattisesti. Terän alasuojus B nousee, kun se koskettaa työkappaletta. Terän alasuojukset on varustettu jousilla, joten ne palautuvat alkuperäiseen asentoonsa, kun sahaus on valmis ja kahva nostetaan. Terän yläsuojus laskee yläpinnan päälle, kun työkappale on kulkenut sen ali. ÄLÄ KOSKAAN ESTÄ TERÄN ALASUOJUSTEN, ALASUOJUKSEEN KIINNITTYVÄN JOUSEN TAI TERÄN YLÄSUOJUKSEN TOIMINTAA ÄLÄKÄ IRRROTA NIITÄ.

Oman turvallisuutesi vuoksi pidä kaikki terän suojukset hyvässä kunnossa. Kaikki suojusten tavallisesta poikkeava toiminta tulee korjata välittömästi. Tarkista, että viritetty jousi palauttaa terän alasuojukset paikalleen. ÄLÄ KOSKAAN KÄYTÄ KONETTA, JOS TERÄN ALASUOJUS, JOUSI TAI TERÄN YLÄSUOJUS ON VAHINGOITUNUT, VIALLINEN TAI IRRROTETTU. TÄMÄ ON ERITTÄIN VAARALLISTA JA VOI AIHEUTTAA VAKAVAN LOUKKAANTUMISEN.

Jos jokin läpinäkyvistä terän suojuksista likaantuu tai sille kertyy sahanpurua siten, että terää ei ole helppo nähdä, irrota saha pistorasiasta ja puhdista suojukset huolellisesti kostealla liinalla. Älä käytä liuottimia äläkä bensiiinipohjaisia puhdistimia muovisuojuksen puhdistamiseen.

Jos terän alasuojus A on erityisen likainen ja suojuksen läpi ei näy kunnolla, toimi seuraavasti. Aseta yläpöytä kokonaan ylös, nosta kahva kokonaan, paina rajoitintappi kokonaan sisään kahvan ollessa kokonaan ylhäällä ja löysennä keskusuojuksen paikallaan pitävä kuusiopultti varusteisiin kuuluvalla hylsyavaimella. Löysennä kuusiopultti kääntämällä sitä vastapäivään ja nosta terän alasuojus A ja keskusuojuksen painaen samalla vipua vasemmalle. Kun terän alasuojus A pidetään tässä asennossa, täydellinen puhdistaminen on helpompaa ja tehokkaampaa. Kun puhdistus on valmis, tee yllä kuvatut toimet päinvastaisessa järjestyksessä ja kiinnitä pultti. Samassa terän yläsuojuksen tilanteessa kuin edellä, löysennä sen paikallaan pitävä ruuvi ruuvitaltalla ja irrota terän yläsuojus. Kiinnitä se puhdistettuasi aina tiukasti takaisin paikalleen kiristämällä ruuvia sen verran, että terän yläsuojus liikkuu kevyesti ylös ja alas.

Jos jokin terän suojuksista muuttaa väriään ikääntymisen tai UV-säteilylle altistumisen takia, ota yhteys Makita-huoltoon hankkiaksesi uuden suojuksen. ÄLÄ ESTÄ SUOJUSTEN TOIMINTAA ÄLÄKÄ IRRROTA NIITÄ.

Parhaan sahauskyvyn ylläpitäminen (Kuvat 6 ja 7)

Kone on tehtaalla säädetty tuottamaan suurin sahauskyky 260 mm sahanterällä.

Kun kiinnität uuden terän, tarkista aina terän alimman reunan asento ja säädä tarvittaessa seuraavasti:

VARO:

- Kun teet säätöä, aseta yläpöytä alimpaan asentoon irrotettuna koneen pistorasiasta.

Irrota kone ensin pistorasiasta. Aseta yläpöytä ala-asentoon. Laske kahva kokonaan alas. Käännä hylsyavaimella yläpöydän isoimmasta reiästä löytyvää säätöpulttia, kunnes terän reuna ulottuu hieman kääntöjalustan yläpinnan alle kohdassa, jossa ohjaimen etureuna kohtaa kääntöjalustan yläpinnan.

Kun kone on irrotettuna pistorasiasta, kierrä terää käsin pitäen samalla kahva kokonaan alhaalla varmistaaksesi, että terä ei kosketa alajalustan mitään osaa. Säädä tarvittaessa hieman.

VARO:

- Kun olet kiinnittänyt uuden terän, varmista aina, että terä ei kosketa alajalustan mitään osaa, kun kahva laskeaan kokonaan alas. Tee tämä aina koneen ollessa irrotettuna pistorasiasta.

Jiirisahauskulman säätäminen (Kuva 8)

Löysennä kädensija kääntämällä vastapäivään. Käännä kääntöjalustaa painaen samalla lukitusvipua alas. Kun olet siirtänyt kädensijan haluamaasi asentoon, jossa osoitin osoittaa haluamaasi kulmaa jiirisahausteikolla, kiristä kädensija tiukasti myötäpäivään.

VARO:

- Kun käännät kääntöjalustaa, muista nostaa kahva kokonaan ylös.
- Kun olet muuttanut jiirisahauskulmaa, varmista aina kääntöjalustan kiinnitys kiristämällä kädensija.

Viistekulman säätäminen (Kuva 9 ja 10)

Kun haluat säätää viistekulmaa, löysennä koneen takana olevaa vipua vastapäivään.

Työnnä kahvaa vasemmalle kääntääksesi sahanterää, kunnes osoitin osoittaa haluamaasi kulmaa viisteasteikolla. Varmista sitten varren kiinnitys kiristämällä vipu tiukasti myötäpäivään.

VARO:

- Kun käännät sahanterää, muista nostaa kahva kokonaan ylös.
- Kun olet muuttanut viistekulmaa, varmista aina varren kiinnitys kiristämällä vipu tiukasti myötäpäivään.

Kytkimen käyttäminen (Kuva 11)

VARO:

- Varmista ennen käyttöä, että kone on sammutettu ja irrotettu pistorasiasta.

Kone käynnistetään painamalla ON (I) -painiketta. Kone pysäytetään painamalla OFF (O) -painiketta.

Lamppujen syyttäminen (Kuva 11 ja 12)

Vain malli LHI040F

Valo syttyy painettaessa kytkimen yläosaa ja sammuu painettaessa alaosaa.

VARO:

- Älä katso suoraan valoon äläkä valolähteeseen.

HUOMAA:

- Puhdista lampun linssi kuivalla liinalla pyyhkimällä. Varo naarmuttamasta lampun linssiä, koska tämä heikentää valotehoa.

Yläpöydän tason säätäminen (Kuva 13)

Kun haluat säätää yläpöydän tasoa, löysennä kaksi vipua kääntämällä vastapäivään ja nosta tai laske yläpöytä. Kiristä nämä vivut tiukasti tehtyäsi säädön.

VAROITUS:

- Aseta yläpöytä ylimpään asentoon, kun käytät konetta jiirisahana ja haluamaasi asentoon, kun käytät konetta pöytäsaahana (penkkisahana).

KOKOAMINEN

VARO:

- Varmista aina ennen koneelle tehtäviä toimenpiteitä, että kone on sammutettu ja irrotettu pistorasiasta.

Sahanterän kiinnittäminen ja irrottaminen

VARO:

- Varmista aina ennen terän kiinnittämistä ja irrottamista, että kone on sammutettu ja irrotettu pistorasiasta.
- Käytä vain varusteisiin kuuluva Makitan hylsyavainta terän kiinnittämiseen ja irrottamiseen. Muutoin kuusiopultti voi tulla liian kireälle tai jäädä liian löysälle. Tämä voi aiheuttaa loukkaantumisen.

Varmista yläpöydän kiinnitys ylimpään asentoon.

Lukitse kahva yläasentoon työntämällä rajoitintappi sisään. (Kuva 14)

Terä irrotetaan löysentämällä ensin kiristysruuvi siten, että terän alasuojus B laskeutuu kuvan osoittamalla tavalla. (Kuva 15)

Löysennä sitten kuusiopultti hylsyavaimella pitäen keski-suojus paikallaan kääntämällä sitä vastapäivään. Nosta terän alasuojus A ja keski-suojus painaen kahvan lähellä olevaa vipua vasemmalle. (Kuva 16)

Paina karalukitusta lukitaksesi karan ja löysennä kuusiopulttia kääntämällä hylsyavaimella myötäpäivään. Irrota sitten kuusiopultti, ulkolaippa ja terä. (Kuva 17)

Terä kiinnitetään seuraavasti. Kiinnitä terä varovasti karalle varmistaen, että terän pinnassa olevan nuolen suunta vastaa teräkotelossa olevaa nuolta. Kiinnitä ulkolaippa ja kuusiopultti ja kiristä sitten kuusiopultti (vasenkätinen) kääntämällä hylsyavaimella tiukasti vastapäivään samalla kun painat karalukitusta. (Kuva 18 ja 19)

HUOMAA:

- Kun asennat sahanterää, työnnä se ensin sisään terän suojuksen B ulkopuolelta. Nosta sitten terää siten, että se tulee lopulta terän suojuksen B sisään.

Kaikki muut kuin Euroopan maat

VARO:

- Tehtaalla karalle on asennettu ulkohalkaisijaltaan 25,4 mm:n hopearengas. Ulkohalkaisijaltaan 25 mm:n musta rengas on vakiovaruste. Varmista aina ennen terän kiinnittämistä karalle, että karalle on asennettu käytettävän terän karan aukolle sopiva rengas. **(Kuva 20)**

Euroopan maat

VARO:

- Tehtaalla sisä- ja ulkoloippon väliin on asennettu ulkohalkaisijaltaan 30 mm:n rengas. **(Kuva 20)**

Palautu terän alasuojus A ja keskisuojaus alkuperäiseen asentoon. Kiinnitä sitten keskisuojaus kiristämällä kuusiopultti myötöpäivään. Nosta teräsuojus B niin pitkälle kuin se menee. Kiristä sitten kiristysruuvi tiukasti pitäen se nostettuna ylös. Laske kahva varmistaaaksesi, että terän alasuojukset liikkuvat kunnolla. Varmista ennen sahaamista, että karalukitus on vapauttanut karan.

Halkaisuterän säätäminen

Ennen kuin säädät halkaisuterää, löysennä kaksi vipua vastapäivään kääntämällä ja paina oikealla halkaisuterän lähellä oleva yläpöytä ala-asentoon. Kiinnitä sitten yläpöytä kiristämällä kaksi vipua tiukasti kuvan osoittamalla tavalla. **(Kuva 21)**

Halkaisuterän ja terän hampaiden väliin tulee jäädä noin 4 – 5 mm:n rako. Säädä halkaisuterä tämän mukaiseksi löysentämällä kaksi kuusiopulttia vastapäivään kuusiavaimella ja mittaamalla etäisyys. Kiristä kuusiopultit tiukasti ja tarkista sitten ennen sahausta, että terän yläsuojus toimii oikein. **(Kuva 22)**

Ennen toimitusta tehtaalta halkaisuterä on asennettu siten, että terä ja halkaisuterä ovat suorassa linjassa keskenään. **(Kuva 23)**

VARO:

- Jos terä ja halkaisuterä eivät ole oikein kohdistetut, voi terä jäädä työskentelyn aikana vaarallisesti puristuksiin. Varmista, että ne ovat oikein kohdistetut. Virheellisesti kohdistetulla halkaisuterällä varustetun koneen käyttäminen voi johtaa vakavaan loukkaantumiseen. Jos niitä ei ole jostain syystä kohdistettu oikein, korjautu ongelma Makitan valtuuttamassa huollossa.

Halkaisuohtajimen kiinnittäminen ja säätäminen

1. Kiinnitä halkaisuohtajain pöytään siten, että halkaisuohtajimen pidin tulee ohjainkiskoon. Kiristä halkaisuohtajimen kiristysruuvi (B) tiukasti myötöpäivään.
2. Löysennä kiristysruuvi (A).
3. Siirrä halkaisuohtajainta ja kiinnitä se siten, että itses-täsi katsoen kauempi halkaisuohtajimen reuna on samansuuntainen kohdan kanssa, jossa sahanterän etureuna pilkkahtaa näkyviin työkalupaleen yläpinnan takaa. Tämän säädön tarkoitus on vähentää käyttä-jää kohti tulevan takaiskun vaaraa, kun työkalu-paleesta irti leikattu osa jää puristuksiin sahanterän ja halkaisuohtajimen väliin ja työntyy lopulta ulos kohti käyttäjää. Linja 3 vaihtelee työkalupaleen paksuuden ja pöytätason mukaan. Säädä halkaisuohtajimen asento työkalupaleen paksuuden mukaan. Kun olet säätänyt halkaisuohtajimen, kiristä kiristys-ruuvi (A) tiukasti. **(Kuvat 24 ja 25)**

HUOMAA:

- Halkaisuohtajimen voi kiinnittää neljällä eri kuvan osoit-tamalla tavalla. **(Kuva 26)** Halkaisuohtajimen kyljissä on kaksi rakoja, joista toisen lähellä samalla puolella on koholla oleva reunus ja toinen on ilman reunusta. Käytä halkaisuohtajimen reunuksella varustettua puolta työkalupaltoa vasten vain sahatessasi ohutta työkalu-paltoa.
- Kun haluat vaihtaa halkaisuohtajimen kiinnitystapa-a, irrota halkaisuohtajain halkaisuohtajimen pitimestä seu-raavasti. Löysennä kiristysruuvi (A) ja muuta halkai-suohtajimen kiinnitystapaa halkaisuohtajimen pitimestä siten, että halkaisuohtajain on työn edellyttämässä asen-nossa halkaisuohtajimen pitimeen nähden kuvan osoit-tamalla tavalla. Työnnä halkaisuohtajimen pitimen neliömäinen mutteri halkaisuohtajimen jomman kum-man raon takaosaan siten, että ne sopivat yhteen kuvan osoittamalla tavalla.

Kun haluat vaihtaa kiinnitystavasta A tai B kiinnitysta-paan C tai D tai päinvastoin, irrota neliömäinen mutteri, aluslaatta ja kiristysruuvi (A) halkaisuohtajimen pitimestä. Aseta sitten kiristysruuvi (A), aluslaatta ja neliömäinen mutteri alkuperäiseen asentoon nähden päinvastaiseen asentoon halkaisuohtajimen pitimellä. Kiristä kiristysruuvi (A) tiukasti työnnettäsi halkaisuohtajimen pitimen neliö-mäisen ruuvien halkaisuohtajimen ragoon. Työnnä halkai-suohtajimen pitimen neliömäinen mutteri halkaisuohtajimen jomman kumman raon takaosaan siten, että ne sopivat kuvan osoittamalla tavalla. **(Kuva 27)**

Halkaisuohtajain on tehtaalla säädetty siten, että se on samansuuntainen terän pinnan kanssa. Varmista, että ne ovat samansuuntaiset. Varmista halkaisuohtajimen ja terän samansuuntaisuus seuraavasti. Laske pöytä alim-paan asentoon siten, että terä on ylimmässä asennossa pöydästä. Merkitse yksi terän hampaista liidulla. Mittaa halkaisuohtajimen ja terän välinen etäisyys (A) ja (B). Ota molemmat mitat liidulla merkitystä hampaasta. **(Kuva 28)** Näiden mittaustulosten tulee olla samat. Jos halkaisuoht-ajain ei ole samansuuntainen terän kanssa, toimi seuraavasti: **(Kuva 29)**

1. Käännä kahta säätöruuvia vastapäivään.
2. Siirrä halkaisuohtajimen takareunaa hieman oikealle tai vasemmalle, kunnes se on samansuuntainen terän kanssa.
3. Kiristä halkaisuohtajimen kaksi ruuvia tiukasti.

VARO:

- Muista säätää halkaisuohtajain siten, että se on saman-suuntainen terän kanssa. Muutoin seurauksena voi olla vaarallinen takaisu.
- Muista säätää halkaisuohtajain siten, että se ei kosketa terän yläsuojusta eikä sahanterää. **(Kuva 30)**

Pölypussi

Pölypussin ansiosta työskentely on siistiä ja roskien kerääminen helppoa. Kiinnitä pölypussi sovitamalla se pölysuuttimen päälle. **(Kuva 31)**

HUOMAA:

- Kun käytät konetta jirrisahana, työnnä pölypussi aina takasuuttimeen.

Kun pölypussi on noin puoliksi täynnä, irrota pölypussi koneesta ja vedä suljin irti. Tyhjennä pölypussin sisältö napauttamalla sitä kevyesti siten, että sen sisäpuolelle mahdollisesti tarttuneet hiukkaset eivät häiritse myöhem-pää roskien keruuta. **(Kuva 32)**

Jos sahaan liitetään pölynimuri, työskentely on tehokkaampaa ja siistimpää.

Kun haluat kiinnittää teräsuojuksen käyttäessäsi konetta pöytäsaahana (penkkisahana), käännä kääntöjalusta 0° jirrikulmaan (katso kohtaa ”Jirrikulman säätäminen”) ja aseta teräsuojus kääntöpöydälle siten, että pöytäsuojus on keskellä kääntöpöydän teräaukon raon päällä. Lukitse sitten kahva alimpaan asentoon työntämällä rajoitintappi kokonaan sisään kuvan osoittamalla tavalla. **(Kuva 33)**

HUOMAA:

- Kun haluat kiinnittää pölypussin etummaiseen pölysuuttimeen käyttäessäsi konetta pöytäsaahana (penkkisahana), irrota ensin kansi etummaisesta pölysuuttimesta ja kiinnitä sitten pölypussi pölysuuttimeen.
- Kun et käytä pölypussia, aseta kansi aina takaisin paikalleen etummaiseen pölysuuttimeen. Muutoin roskat lentävät ulos suuttimesta.
- Kun käytät konetta pöytäsaahana (penkkisahana), varmista että teräsuojus on asennettu kääntöpöydälle.

Työkappaleen kiinnittäminen

Tue työkappale lisävarusteena saatavalla ruuvipuristimella aina kun se on mahdollista. Jos sinun on pakko tukea työkappaletta käsin, se on tehtävä tukevasti ja turvallisesti siten, että et menetä työkappaleen hallintaa. Käsi ja käsivarsi on pidettävä kaukana terän ulottuvilta (vähintään 100 mm). Purista työkappale tiukasti ohjainta vasten pitäen sormet ohjaimen päällä. Työkappaleen tulee olla tukevasti kääntöjalustan päällä.

VAROITUS:

- Älä koskaan pitele käsin työkappaletta, joka edellyttää käden viemistä lähemmäs kuin 100 mm:n päähän terän alueelta. Käytä tällöin aina lisävarusteena saatavaa ruuvipuristinta työkappaleen kiinnittämiseen. Nosta terä aina varovasti sahauskeskityksen jälkeen. Älä koskaan nosta terää, ennen kuin se on kokonaan pysähtynyt. Tämä voi johtaa vakavaan loukkaantumiseen.

VARO:

- Kun sahaat pitkiä työkappaleita, käytä tukia, jotka ovat yhtä korkeita kuin kääntöjalustan ylätaso. Älä luota pelkästään pystypenkkiin ja/tai vaakapenkkiin (molemmat lisävarusteita) kappaleen tukemisessa. **(Kuva 34)** Ohuella materiaalilla on taipumus painua notkolle. Tue työkappale koko pituudelta välttääksesi terän jäämiseltä puristuksiin ja mahdolliselta TAKAISKULTA.

Pystypenkki (lisävaruste) (Kuva 35)

Pystypenkkiin voi asentaa kahteen eri asentoon ohjaimen tai ohjaimen asennussarjan (lisävaruste) kummalle puolelle tahansa. Työnnä ruuvipuristimen tanko ohjaimen tai ohjaimen asennussarjan aukkoon ja kiinnitä ruuvipuristimen tanko kiristämällä ruuvi.

Aseta ruuvipuristimen varsi työkappaleen paksuuden ja muodon mukaisesti ja kiinnitä ruuvipuristimen varsi kiristämällä ruuvi. Jos ruuvipuristimen varren kiinnittävä ruuvi koskettaa ohjainta, kiinnitä ruuvi ruuvipuristimen varren vastakkaiselle puolelle. Varmista, että koneen mikään osa ei kosketa ruuvipuristinta, kun kahva lasketaan kokonaan alas. Jos jokin osa koskettaa ruuvipuristinta, aseta ruuvipuristin eri kohtaan.

Paina työkappale ohjainta ja kääntöjalustaa vasten. Aseta työkappale haluamaasi sahausasentoon ja kiinnitä se tiukasti paikalleen kiristämällä ruuvipuristimen nuppi.

VARO:

- Työkappale tulee kiinnittää tukevasti kääntöjalustaa ja ohjainta vasten.

Vaakapenkki (lisävaruste) (Kuva 36)

Vaakapenkkiin voi asentaa joko jalustan vasemmalle tai oikealle puolelle. Kun sahaat 15° tai suurempaa jirrikulmaa, kiinnitä vaakapenkki vastakkaiselle puolelle kuin mihin kääntöjalustaa käännetään. Kun ruuvipuristimen nuppiä käännetään vastapäivään, ruuvi vapautuu ja ruuvipuristimen kara voidaan siirtää nopeasti sisään ja ulos. Kun käännät ruuvipuristimen nuppiä myötäpäivään, ruuvi pysyy kiinnitettyinä. Kun haluat kiinnittää työkappaleen, käännä ruuvipuristimen nuppiä kevyesti myötäpäivään, kunnes ulkonema on ylimmässä asennossaan. Kiristä sitten tiukasti. Jos ruuvipuristimen nuppiä pakotetaan tai se vedetään irti käännettäessä myötäpäivään, ulkonema saattaa jäädä vinoon. Käännä tällöin ruuvipuristimen nuppiä takaisin vastapäivään, kunnes ruuvi vapautuu. Käännä sitten taas kevyesti myötäpäivään. Levein vaakapenkkiä kiinnitettävissä oleva työkappale on 130 mm leveä.

Pitimet ja pidinsarja (lisävaruste)

Pitimet ja pidinsarjan voi asentaa kummalle puolelle tahansa käteväksi avuksi työkappaleiden vaakatukemiseen. Asenna ne kuvan osoittamalla tavalla. Varmista siten pitimien ja pidinsarjan kiinnitys kiristämällä ruuvit tiukasti. **(Kuva 37)**

Kun sahaat pitkiä työkappaleita, käytä pidin-tanko-sarjaa (lisävaruste). Se koostuu kahdesta sarjasta ja kahdesta tangosta 12. **(Kuva 38)**

VARO:

- Tue pitkät työkappaleet aina kääntöjalustan yläpinnan tasolle, jotta sahaus olisi tarkkaa ja jotta kone ei karvaisi vaarallisesti hallinnasta.

TYÖSKENTELY

VARO:

- Varmista ennen käyttöä, että kahva on palautettu alasetäntöön vetämällä rajoitintappia.
- Varmista, että terä ei kosketa työkappaletta tms. ennen käynnistämistä.

KÄYTTÖ JIIRISAHANA

VAROITUS:

- Kun käytät konetta jirrisahana, kiinnitä yläpöytä ylimpään asentoon siten, että sahanterä ei koskaan ulotu yläpöydän ylätasoon yli.

VARO:

- Älä paina kahvaa liikaa sahatessasi. Liiallinen painaminen voi aiheuttaa moottorin ylikuormittumisen ja/tai heikentyneen sahaustehon. Paina kahvaa alas vain sellaisella voimalla kuin sujuva sahaus edellyttää ilman että terän nopeus alenee huomattavasti.
- Paina kahvaa alas kevyesti sahataksesi. Jos kahva painetaan alas väkisin tai jos sitä painetaan sivusuunnassa, terä värisee ja jättää jäljen työkappaleeseen. Samalla sahauskeskityksen tarkkuus kärsii.

1. Painosahaus (Kuva 39)

Kiinnitä työkappale ohjainta ja kääntöjalustaa vasten. Käynnistä kone antamatta terän koskea mihinkään ja odota, kunnes terä on saavuttanut täyden nopeutensa. Sahaa sitten työkappale laskemalla kahva kevyesti kokonaan alas. Kun sahaus on valmis, sammuta kone ja ODOTA, KUNNES TERÄ ON KOKONAAN PYSÄHTYNYT, ennen kuin palautat terän kokonaan ylös.

2. Jiirisahaus

Katso tarkemmat tiedot edeltä kohdasta "Jiirisahauskulman säätäminen".

3. Viistesahaus (Kuva 40)

Löysennä vipu ja käännä sahanterää asettaaksesi viistekulman (Katso edellä kohtaa "Viistekulman säätäminen"). Muista kiristää vipu tiukasti varmistaaksesi valitun viistekulman pysymisen. Kiinnitä työkappale ohjainta ja kääntöjalustaa vasten. Varmista, että kelkka on vedetty kokonaan taakse käyttäjän puoleen. Käynnistä kone ilman, että terä osuu mihinkään ja odota, kunnes terä on saavuttanut täyden nopeuden. Laske sitten kahva kevyesti kokonaan alas painaen samalla terällä. Kun sahaus on valmis, sammuta kone ja ODOTA, KUNNES TERÄ ON KOKONAAN PYSÄHTYNYT ennen kuin palautat terän kokonaan ylös.

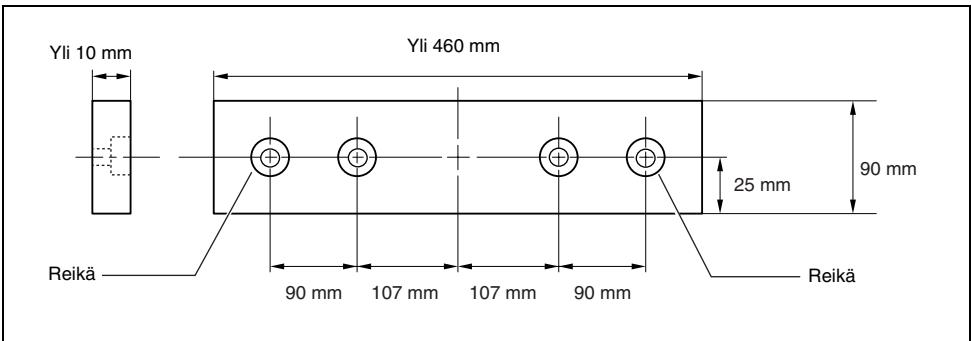
VARO:

- Varmista aina viistesahaoksen yhteydessä, että terä liikkuu alas viisteen suunnassa. Pidä kädet poissa sahanterän tieltä.
- Viistesahaoksen yhteydessä voi syntyä tilanne, jossa irtisahattu kappale jää lepäämään terän syrjää vasten. Jos terä nostetaan terän vielä pyöriessä, tämä kappale voi tarttua terään, jolloin sirpaleet leviävät vaarallisesti. Terä tulee nostaa VASTA kun terä on kokonaan pysähtynyt.
- Kun painat kahvan alas, työnnä samalla terää. Jos painaminen ei ole samanaikaista terän kanssa sahausajan aikana, terän kulma voi siirtyä, jolloin sahausajan tarkuus kärsii.

6. Puukehys

Käytä puukehystä varmistaaksesi säilöttömän sahausajan. Kiinnitä puukehys ohjaimen ohjaimessa olevien reikiä avulla.

Katso kuvasta suositellavat puukehysten mitat.



VARO:

- Käytä puukehystenä suoraa tasapaksuista puuta.
- Kiinnitä puukehys ohjaimen ruuveilla. Ruuvit tulee kiinnittää siten, että ruuvien kannat jäävät puukehysten tason alle.
- Kun puukehys on kiinnitetty, älä käännä kääntöjalustaa kahvan ollessa alhaalla. Terä ja/tai puukehys vioittuu tästä.

4. Yhdistelmäsahaus

Yhdistelmäsahausuksessa viistesahaus yhdistyy työkappaleen jiirisahaukseen. Yhdistelmäsahausuksessa voidaan käyttää taulukon osoittamia kulmia.

Viistekulma	Jiirisahauskulma
45°	Vasen ja Oikea 0° – 45°

Kun yhdistelmäsaahaat, katso kohtien "Painosahaus", "Jiirisahaus" ja "Viistesahaus" ohjeita.

5. Alumiinisen puristetangon sahaaminen (Kuva 41)

Kun kiinnität alumiinista puristetankoa, käytä välikkeitä tai hukkapaloja kuvan osoittamalla tavalla estääksesi alumiinin vääntymisen. Käytä voitelunestettä sahatessasi alumiinista puristetankoa estääksesi alumiinin kertymisen terällä.

VARO:

- Älä koskaan sahaa paksua tai pyöreää alumiinista puristetankoa. Paksut alumiiniset puristetangot voivat irrota kesken työskentelyn ja pyöreitä alumiinisia puristetankoja ei voi kiinnittää tiukasti tähän koneeseen.
- Älä koskaan sahaa alumiinia pöytäsaahalla (penkkisahaalla).

KUNNOSSAPITO

VARO:

- Varmista aina ennen koneelle tarkistuksia ja huolto- töitä, että kone on sammutettu ja virtajohto irrotettu pistorasistiasta.

VAROITUS:

- Pidä huolta terän terävyydestä ja puhtaudesta, jotta kone toimii hyvin ja turvallisesti.

Sahauskulman säätäminen

Kone on säädetty ja suunnattu huolella tehtaalla, mutta kovakourainen käsittely voi vaikuttaa suuntaukseen. Jos kone ei ole suunnattu oikein, toimi seuraavasti:

1. Jiirikulma

Löysennä kääntöjalustan paikallaan pitävä kädensija. Käännä kääntöjalustaa siten, että osoitin osoittaa 0° jiiristeikolla. Kiristä kädensija ja löysennä ohjaimen paikallaan pitävät kuusiopultit hylsyavaimella. **(Kuva 51)** Laske kahva kokonaan alas ja lukitse se ala-asentoon työntämällä rajoitintappi sisään. Tasaa terän syrjä ohjaimen tason kanssa kolmikulmalla, vastekulmakolla tms. Kiristä sitten ohjaimen kuusiopultit järjestyksessä alkaen oikealta. **(Kuva 52)**

2. Viistekulma

(1) 0° viistekulma

Laske kahva kokonaan ja lukitse se ala-asentoon työntämällä rajoitintappi sisään. Löysennä koneen takaosassa oleva vipu. Käännä kääntöjalustan oikealla puolella olevaa 0° viistekulman säätöpulttia kaksi tai kolme kierrosta myötäpäivään kääntääksesi terää oikealle. **(Kuva 53)** Tasaa terän reuna varovasti kääntöjalustan yläpinnan kanssa kolmikulman, vastekulmakon tms. avulla kääntämällä 0° viistekulman säätöpulttia vastapäivään. **(Kuva 54)**

Varmista, että kääntöjalustan osoitin osoittaa 0° viisteasteikolla. Jos se ei osoita 0°, löysennä osoittimen paikallaan pitävä ruuvi ja säädä osoitinta siten, että se osoittaa 0°. **(Kuva 55)**

(2) 45° viistekulma

Säädä 45° viistekulma vasta tehtyäsi 0° viistekulman säädön. Kun haluat säätää 45° viistekulman, löysennä vipu ja käännä terä kokonaan vasemmalle. Varmista, että varren osoitin osoittaa varren viisteasteikolla 45°. Jos osoitin ei osoita 45°, käännä varren vasemmalla puolella olevaa 45° viistekulman säätöpulttia, kunnes osoitin osoittaa 45°. **(Kuva 56)**

Harjahiilten vaihtaminen (Kuva 57 ja 58)

Irrota harjahiilet säännöllisesti tarkastusta varten. Vaihda harjahiilet uusiin, kun ne ovat kuluneet rajamerkkiin saakka. Pidä harjahiilet puhtaina ja vapaina liikkumaan pitimissään. Hiilet on vaihdettava aina pareittain. Käytä vain keskenään samanlaisia harjahiiliä.

Irrota harjahiilten kannet ruuvitaltalla. Poista kuluneet harjahiilet, aseta uudet harjahiilet paikalleen ja kiinnitä harjahiilten kansi paikalleen.

Käytön jälkeen

- Poista koneeseen tarttuneet lastut ja roskat käytön jälkeen liinalla tai vastaavalla. Pidä teräsuojus puhtaana edellä kohdassa "Teräsuojus" selostetulla tavalla. Voitele koneen liukuvat osat koneöljyllä estääksesi ruosteen muodostumisen.

Laitteen TURVALLISUUDEN ja KÄYTTÖVARMUUDEN säilyttämiseksi korjaukset ja muut huolto- ja säätötyöt saa suorittaa ainoastaan Makitan hyväksymä huoltopiste käyttäen Makitan alkuperäisiä varaosia.

LISÄVARUSTEET

VARO:

- Näitä lisävarusteita ja -laitteita suositellaan käytettäväksi tässä ohjekirjassa mainitun Makitan koneen kanssa. Minkä tahansa muun lisävarusteen tai -laitteen käyttäminen voi aiheuttaa loukkaantumisvaaran. Käytä lisävarusteita ja -laitteita vain niiden käyttötarkoituksen mukaisesti.

Jos tarvitset apua tai yksityiskohtaisempia tietoja seuraavista lisävarusteista, ota yhteys paikalliseen Makitan huoltoon.

- Teräksiset ja karbidikärkiset sahanterät
- Apulevy
- Ruuvipuristinsarja (vaakapenkki)
- Pystypenkki
- Hylsyavain 13
- Pidinsarja
- Pitimen asennussarja
- Pidin-tanko-sarja
- Pohjalevy
- Pölypussi
- Kolmikulma
- Teränsuojus (teränsuojus C)
- Työntösauva
- Ohjainsarja (halkaisuhjoin)

Περιγραφή γενικής άποψης

1 Βοηθητική πλάκα	32 Θήκη λάμας	63 Σύνολο θήκης
2 Εξάγωνο μπουλόνι	33 Βέλος	64 Κουμπί μέγγενης
3 Βάση	34 Εξωτερική φλάντζα	65 Προβολή
4 Παξιμάδι	35 Εσωτερική φλάντζα	66 Αξονας μέγγενης
5 Μπουλόνι	36 Αξονίσκος	67 Ράβδος 12
6 Κάτω προφυλακτικό λάμας Α	37 Δακτύλιος	68 Μέγγενη (προαιρετικό εξάρτημα)
7 Κάτω προφυλακτικό λάμας Β	38 Μαχαιρί σχισίματος	69 Δοκός διαστήματος
8 Ανω προφυλακτικό λάμας	39 Περιοχή πιέσεως	70 Προέκταση αλουμινίου
9 Βίδα	40 Πλάτος λάμας	71 Πλάκα ρύθμισης
10 Λαβή	41 Θήκη φράκτη σχισίματος	72 Μικρό κύρτωμα
11 Μοχλός	42 Ράγα οδηγός στο άνω τραπέζι	73 Παράλληλη όψη/άκρη
12 Κοίλο κλειδί	43 Βίδα σύσφιγξης (Α)	74 Ξυλόβιδα
13 Ρυθμιστικό μπουλόνι	44 Βίδα σύσφιγξης (Β)	75 Κολλήστε μαζί
14 Ανω επιφάνεια περιστροφικής βάσης	45 Φράκτης σχισίματος	76 Τρύπα (7 χιλ σε διάμετρο)
15 Περιφέρεια λάμας	46 Θήκη φράκτη σχισίματος	77 Ροδέλλα
16 Φράκτης οδηγός	47 Τεμάχιο εργασίας	78 Παξιμάδι
17 Δείκτης	48 Γραμμή ευθυγράμμισης	79 Μπουλόνι Μ6
18 Μοχλός ασφάλισης	49 Τετράγωνο παξιμάδι	80 Ωστική ράβδος
19 Λαβή	50 Κλίμακα	81 Βοηθητικός φράκτης
20 Λοξή κλίμακα	51 Δύο βίδες	82 Ωστικό μπλοκ
21 Κωνική κλίμακα	52 Στόμο σκόνης	83 Τριγωνικός κανόνας
22 Διακόπτης	53 Σάκκος σκόνης	84 0° ρυθμιστικό μπουλόνι
23 Διακόπτης λάμπας	54 Προσδετήρας	85 Βραχίονας
24 Λάμπες	55 Καπάκι	86 45° κωνικής γωνίας ρυθμιστικό μπουλόνι
25 Ανασταλτικός πείρος	56 Ηλεκτρική σκούπα	87 Σημάδι ορίου
26 Βίδα σύσφιγξης	57 Κάλυμμα λάμας	88 Κατσαβίδι
27 Ανω τραπέζι	58 Υποστήριξη	89 Καπάκι θήκης ψήκτρας
28 Περιβληγμα κινητήρα	59 Περιστροφική βάση	
29 Κάλυμμα κέντρου	60 Βραχίονας μέγγενης	
30 Ασφάλεια άξονα	61 Ράβδος μέγγενης	
31 Λάμα πριονιού	62 Θήκη	

ΠΡΟΔΙΑΓΡΑΦΕΣ

Μοντέλο

LH1040/LH1040F

Διάμετρος λάμας 255 χιλ – 260 χιλ

Διάμετρος τρύπας

Για όλες τις χώρες εκτός των Ευρωπαϊκών χωρών 25,4 χιλ και 25 χιλ

Για τις Ευρωπαϊκές χώρες 30 χιλ

Μεγ.ικανότητες κοπής (Υ x Π) με λάμα 260 χιλ διαμέτρου στη θέση λειτουργίας λοξού πριονιού.

Γωνία λοξότμησης	Κωνική γωνία	
	0°	45°
0°	69 χιλ x 130 χιλ 93 χιλ x 95 χιλ	δεξ. 69 χιλ x 85 χιλ, 93 χιλ x 67 χιλ αρ. 69 χιλ x 85 χιλ, 93 χιλ x 67 χιλ
45° (αρ.)	35 χιλ x 130 χιλ 53 χιλ x 95 χιλ	δεξ. 35 χιλ x 91 χιλ, 49 χιλ x 67 χιλ αρ. 35 χιλ x 65 χιλ, 49 χιλ x 42 χιλ

Μεγ.ικανότητες κοπής σε γωνία 90° στη θέση λειτουργίας επιτραπέζιου πριονιού

(λειτουργία πριονιού πάγκου)..... 40 χιλ

Ταχύτητα χωρίς φορτίο (λεπ⁻¹)..... 4.800

Μέγεθος τραπέζιου (Π x Μ) 260 χιλ x 405 χιλ

Διαστάσεις (Μ x Π x Υ)..... 530 χιλ x 476 χιλ x 535 χιλ

Βάρος καθαρό 13,7 Χγρ

Κατηγορία ασφάλειας 

- Λόγω του συνεχιζομένου προγράμματός έρευνας και ανάπτυξης, οι προδιαγραφές αυτές υπόκεινται σε αλλαγές χωρίς προειδοποίηση.
- Σημείωση: Οι προδιαγραφές μπορεί να διαφέρουν από χώρα σε χώρα.

Προοριζόμενη χρήση

Το εργαλείο προορίζεται για ευθείες κοπές ακριβείας και (μόνο όταν χρησιμοποιείται ως λοξό πριόνι στο κάτω τραπέζι) λοξές κοπές σε ξύλο.

Παροχή ρεύματος

Το εργαλείο πρέπει να συνδεθεί σε παροχή ρεύματος ίδιας τάσης με αυτή που αναγράφεται στην πινακίδα του και μπορεί μόνο να λειτουργήσει με μονοφασικό εναλλασσόμενο ρεύμα. Έχει διπλή μόνωση σύμφωνα με τα Ευρωπαϊκά Πρότυπα και έτσι μπορεί να χρησιμοποιηθεί σε ρευματοδότες χωρίς γείωση.

Υποδείξεις ασφάλειας

Για την προσωπική σας ασφάλεια, ανατρέξτε στις εσωκλειστές οδηγίες ασφάλειας.

ΕΠΙΠΡΟΣΘΕΤΟΙ ΚΑΝΟΝΕΣ ΑΣΦΑΛΕΙΑΣ ΓΙΑ ΤΟ ΕΡΓΑΛΕΙΟ

Και για θέση λειτουργίας λοξού πριονιού και για θέση λειτουργίας πριονιού τραπέζης (πριόνι πάγκου):

1. Φοράτε προστατευτικά οφθαλμών και αυτιών. Πρέπει επίσης να φοριούνται άλλα κατάλληλα ατομικά προστατευτικά εφόδια.
2. ΠΟΤΕ μη φοράτε γάντια κατά την λειτουργία εκτός για αντικατάσταση λαμών ή για χειρισμό αιχμηρών υλικών πριν την λειτουργία.
3. Διατηρείτε την περιοχή του πατώματος γύρω από το εργαλείο επίπεδη, σε καλή κατάσταση και ελεύθερη από άχρηστα υλικά π.χ. τεμαχίδια και αποκοπείδια.
4. Μη λειτουργείτε το πριόνι χωρίς τους προφυλακτήρες και το μαχαίρι σχισίματος στη θέση τους. Ελέγξτε τους προφυλακτήρες λάμας για κανονικό κλείσιμο πριν από κάθε χρήση. Μη λειτουργείτε το πριόνι εάν οι προφυλακτήρες λάμας δεν κινούνται ελεύθερα και κλείνουν στιγμιαία. Ποτέ μην σφίξετε ή δέσετε τους προφυλακτήρες λάμας στην ακινητή θέση. Οποιαδήποτε αντικανονική λειτουργία των προφυλακτών λάμας πρέπει να διορθωθεί αμέσως.
5. Καθαρίζετε και προσέχετε να μη κάνετε ζημιά στον αξονίσκο, φλάντζες (ειδικά στην επιφάνεια τοποθέτησης) και στο εξάγωνο μπουλόνι πριν ή κατά την τοποθέτηση της λάμας. Ζημιά στα μέρη αυτά μπορεί να προκαλέσει σπάσιμο της λάμας. Κακή τοποθέτηση μπορεί να προκαλέσει κραδασμούς/μη επίπεδη περιστροφή ή γλιστρήμα της λάμας. Χρησιμοποιείτε μόνο τις ενδεδιγμένες φλάντζες για το εργαλείο αυτό.
6. Ελέγξτε την λάμα προσεκτικά για ρωγμές ή ζημιά πριν από την λειτουργία. Μη χρησιμοποιήσετε λάμα πριονιού που έχει ζημιά ή παραμόρφωση.
7. Χρησιμοποιείτε μόνο τις λάμες πριονιού που συνιστώνται από τον κατασκευαστή και που συμφωνούν με το EN847-1 και σημειώστε ότι το μαχαίρι σχισίματος δεν πρέπει να είναι παχύτερο από το πλάτος της κοπής της λάμας και ούτε λεπτότερο από το σώμα της λάμας.

8. Πάντοτε χρησιμοποιείτε ανταλλακτικά συνιστώμενα στο εγχειρίδιο αυτό. Χρήση ακατάλληλων ανταλλακτικών όπως λειαντικών τροχών αποκοπής μπορεί να προκαλέσει τραυματισμό.
9. Επιλέξτε την σωστή λάμα πριονιού για το υλικό που θα κόψετε.
10. Μη χρησιμοποιείτε λάμες πριονιού κατασκευασμένες από ατσάλι υψηλής ταχύτητας.
11. Για να βιώσετε τον προκαλούμενο θόρυβο, πάντοτε να βεβαιώνεστε ότι η λάμα είναι αιχμηρή και καθαρή.
12. Χρησιμοποιείτε σωστά ακονισμένες λάμες πριονιού. Τηρείτε την μέγιστη ταχύτητα που είναι σημειωμένη πάνω στην λάμα πριονιού.
13. Μη κόβετε μέταλλα τέτοια όπως καρφιά και βίδες. Ελέγχετε και αφαιρείτε όλα τα καρφιά, βίδες και άλλα ξένα υλικά από το τεμάχιο εργασίας πριν από την λειτουργία.
14. Βγάζετε οτιδήποτε περιττόως κόμπους από το τεμάχιο εργασίας ΠΡΙΝ αρχίσετε να κόβετε.
15. Μη χρησιμοποιείτε το εργαλείο όπου υπάρχουν εύφλεκτα υγρά ή αέρια.
16. Για την ασφάλειά σας, αφαιρέστε τα τεμαχίδια, κλπ. από την περιοχή εργασίας και επιφάνεια του τραπεζιού πριν συνδέσετε το εργαλείο στο ρεύμα και αρχίστε την λειτουργία.
17. Ο χειριστής πρέπει να είναι καλά εκπαιδευμένος στην χρήση, ρύθμιση και λειτουργία του εργαλείου.
18. Κρατάτε τα χέρια σας και την θέση των διπλανών σας και την δική σας έξω από την τροχιά και όχι στην ίδια γραμμή με την λάμα πριονιού. Αποφύγετε επαφή με οποιαδήποτε στρεφόμενη λάμα. Μπορεί να προκαλέσει σοβαρό τραυματισμό και ποτε μην πλησιάζετε γύρω στην λάμα πριονιού.
19. Να είστε σε ετοιμότητα πάντοτε, ιδιαίτερα κατά την διάρκεια επαναληπτικών, μονότων λειτουργιών. Μη παρασύρεστε από μία ψευδή αίσθηση ασφάλειας. Οι λάμες είναι αδυσώπητες.
20. Βεβαιωθείτε ότι η ασφάλεια άξονα έχει ελευθερωθεί πριν ανάψετε τον διακόπτη.
21. Πριν χρησιμοποιήσετε το εργαλείο σε ένα πραγματικό τεμάχιο εργασίας, αφήστε το να λειτουργήσει για λίγο. Ελέγξτε για δονήσεις ή περιστροφή με πλάγιες μετατοπίσεις που δείχνουν κακή τοποθέτηση ή κακή ισορροπία λάμας.
22. Περιμένετε μέχρι η λάμα να αποκτήσει πλήρη ταχύτητα πριν κόψετε.
23. Το εργαλείο δεν πρέπει να χρησιμοποιείται για εγκοπές, λοξές εντομές ή αυλακώσεις.
24. Αποφύγετε την αφαίρεση οτιδήποτε κομμένων τεμαχίων ή άλλων μερών του τεμαχίου εργασίας από την περιοχή κοπής ενώ το εργαλείο λειτουργεί και η κεφαλή του πριονιού δεν είναι στην θέση ανάπαυσης.
25. Σταματήστε την λειτουργία αμέσως εάν παρατηρήσετε κάτι αντικανονικό.
26. Σβήστε το εργαλείο και περιμένετε να σταματήσει η λάμα πριν μετακινήσετε το τεμάχιο εργασίας ή αλλάξετε ρυθμίσεις.
27. Αποσυνδέστε το εργαλείο πριν αλλάξετε λάμα, κάνετε συντήρηση ή δεν το χρησιμοποιείτε.

28. Σκόνη προερχόμενη από την λειτουργία περιέχει χημικά γνωστά ότι προκαλούν καρκίνο, ελαττωματικές γεννήσεις ή άλλες γεννητικές βλάβες. Μερικά παραδείγματα αυτών των χημικών είναι:
- μόλυβδος από υλικά χρωματισμένα με χρώματα περιέχοντα μόλυβδο και
 - αρσενικό και χρώμο από χημικά επεξεργασμένη ξυλεία.
- Ο κίνδυνος από τις εκθέσεις αυτές είναι διαφορετικός, εξαρτώμενος από το πόσο συχνά κάνετε αυτόν τον τύπο της εργασίας. Για να μειώσετε την έκθεση σας στα χημικά αυτά: εργάζεστε σε καλά αεριζόμενη περιοχή εργασίας και εργάζεστε με εγκκεκριμένα εφόδια προστασίας, όπως είναι οι προσωπίδες σκόνης που είναι ειδικά σχεδιασμένες να φιλτράρουν μικροσκοπικά σωματίδια.
29. Συνδέστε το εργαλείο σε μία συσκευή συλλογής σκόνης όταν πριονίζετε.

Όταν το χρησιμοποιείτε σε λειτουργία λοξού πριονιού:

30. Μη χρησιμοποιείτε το πριόνι να κόψετε άλλα εκτός από ξύλο, αλουμίνιο, ή παρόμοια υλικά.
31. Μην εκτελείτε λειτουργία στο χέρι όταν κόβετε ένα τεμάχιο εργασίας σε μία περιοχή κοντά στην λάμα πριονιού. Το τεμάχιο εργασίας πρέπει να ασφαλιστεί σταθερά στην περιστροφική βάση και στον οδηγό φράκτη κατά την διάρκεια όλων των εργασιών.
32. Βεβαιωθείτε ότι η περιστροφική βάση είναι κατάλληλα ασφαλισμένη έτσι ώστε δεν θα μετακινηθεί κατά την λειτουργία.
33. Βεβαιωθείτε ότι ο βραχίονας είναι σταθεροποιημένος με ασφάλεια όταν κάνετε κωνική τομή. Σφίχτε τον μοχλό δεξιόστροφα να σταθεροποιήσετε τον βραχίονα.
34. Βεβαιωθείτε ότι η λαβή δεν κάνει επαφή με την περιστροφική βάση στην καλύτερη θέση και δεν κάνει επαφή με το τεμάχιο εργασίας πριν ο διακόπτης ανάψει.
35. Κρατάτε την λαβή σταθερά. Έχετε υπόψη σας ότι το πριόνι κινείται ελαφρά επάνω ή κάτω κατά την εκκίνηση και το σταμάτημα.
36. Αντικαταστήστε την σανίδα εγκοπής όταν φθαρεί.

Όταν το χρησιμοποιείτε στην λειτουργία επιτραπέζιου πριονιού (πριόνι πάγκου):

37. Μην εκτελείτε καμιά λειτουργία στο χέρι. Στο χέρι σημαίνει να χρησιμοποιείτε τα χέρια σας για να υποστηρίξετε ή να οδηγήσετε το τεμάχιο εργασίας, στη θέση ενός φράκτη σχίσματος.
38. Βεβαιωθείτε ότι ο βραχίονας είναι στερεωμένος με ασφάλεια στην θέση εργασίας. Σφίχτε τον μοχλό δεξιόστροφα για να στερεώσετε τον βραχίονα.
39. Χρησιμοποιήστε μία ωστική ράβδο ή ωστική δοκό για να αποφύγετε την εργασία με τα χέρια και τα δάκτυλα κοντά στην λάμα πριονιού.
40. Βεβαιωθείτε ότι το τραπέζι πριονιού πάγκου είναι στερεωμένο με ασφάλεια στο επιλεγμένο ύψος.
41. Βεβαιωθείτε ότι η λάμα δεν κάνει επαφή με το μαχαίρι σχίσματος ή το τεμάχιο εργασίας πριν ανάψετε τον διακόπτη.

42. Πάντοτε αποθηκεύετε την ωστική ράβδο όταν δεν είναι σε χρήση.
43. Δώστε ιδιαίτερη προσοχή στις οδηγίες για την μείωση του κινδύνου ΟΠΙΣΘΟΛΑΚΤΙΣΜΑΤΟΣ. ΟΠΙΣΘΟΛΑΚΤΙΣΜΑ είναι μία ξαφνική αντίδραση μιάς πιασμένης, μαγκωμένης ή άσχημα ευθυγραμμισμένης λάμας πριονιού. Το ΟΠΙΣΘΟΛΑΚΤΙΣΜΑ προκαλεί πέταγμα του τεμαχίου εργασίας από το εργαλείο πίσω προς τον χειριστή. ΟΠΙΣΘΟΛΑΚΤΙΣΜΑ ΜΠΟΡΕΙ ΝΑ ΟΔΗΓΗΣΟΥΝ ΣΕ ΣΟΒΑΡΟ ΠΡΟΣΩΠΙΚΟ ΤΡΑΥΜΑΤΙΣΜΟ. Αποφύγετε τα ΟΠΙΣΘΟΛΑΚΤΙΣΜΑ διατηρώντας την λάμα αιχμηρή, κρατώντας τον φράκτη σχίσματος παράλληλο στην λάμα, κρατώντας το μαχαίρι σχίσματος και τον προφυλακτήρα λάμας στη θέση τους και σε κανονική λειτουργία, μην αφήνοντας το τεμάχιο εργασίας μέχρι να έχει σπρωχθεί εντελώς μετά την λάμα, και μη σχίζοντας ένα τεμάχιο εργασίας που είναι στριμμένο ή τυλιγμένο ή δεν έχει μία ίσια άκρη για οδηγό κατά μήκος του φράκτη.
44. Αποφύγετε απότομη, γρήγορη τροφοδοσία. Τροφοδοτείτε όσο πιο αργά είναι δυνατόν όταν κόβετε σκληρά τεμάχια εργασίας. Μη λυγίζετε ή στρίβετε το τεμάχιο εργασίας κατά την τροφοδοσία. Εάν σταματήσει ή μπλοκάρει η λάμα στο τεμάχιο εργασίας, σβήστε το εργαλείο αμέσως. Αποσυνδέστε το εργαλείο. Μετά αποκαταστήστε την εμπλοκή.

ΦΥΛΑΞΤΕ ΤΙΣ ΟΔΗΓΙΕΣ ΑΥΤΕΣ.

ΕΓΚΑΤΑΣΤΑΣΗ

ΠΡΟΣΟΧΗ:

- Διατηρείτε την περιοχή πατώματος γύρω στο εργαλείο επίπεδη καθαρή και χωρίς άχρηστα υλικά όπως τεμαχίδια και αποκοπίδια.

Τοποθέτηση βοηθητικής πλάκας (Εικ. 1 και 2)

Τοποθετήστε την βοηθητική πλάκα χρησιμοποιώντας την εγκοπή στην βάση του εργαλείου και ασφαλίστε το σφίγγοντας το εξάγωνο μπουλόνι.

Τποθέτηση σε πάγκο (Εικ. 3)

Αυτό το εργαλείο πρέπει να στερεώνεται με δύο μπουλόνια σε μία επίπεδη και σταθερή επιφάνεια χρησιμοποιώντας τις τρύπες μπουλονιών στην βάση του εργαλείου. Αυτό βοηθάει στην αποφυγή ανατροπής και πιθανού τραυματισμού.

ΛΕΙΤΟΥΡΓΙΚΗ ΠΕΡΙΓΡΑΦΗ

ΠΡΟΣΟΧΗ:

- Πάντοτε βεβαιώνετε ότι το εργαλείο είναι σβηστό και αποσυνδεδεμένο πριν ρυθμίσετε ή ελέγξετε κάποια λειτουργία στο εργαλείο.

Προφυλακτήρας λάμας (Εικ. 4 και 5)

ΠΡΟΣΟΧΗ:

- Βεβαιωθείτε ότι η λαβή δεν μπορεί να κατέβει χωρίς να σπρώξετε τον μοχλό κοντά στην λαβή στα αριστερά.
- Βεβαιωθείτε ότι οι κάτω προφυλακτήρες της λάμας Α και Β δεν ανοίγουν εκτός εάν ο μοχλός κοντά στην λαβή σπρωχθεί στην υψηλότερη θέση της λαβής.

Όταν χαμηλώνετε την λαβή ενώ σπρώχνετε τον μοχλό στα αριστερά, ο προφυλακτήρας Α της κάτω λάμας σηκώνεται αυτόματα. Ο προφυλακτήρας Β της κάτω λάμας σηκώνεται μόλις κάνει επαφή με το τεμάχιο εργασίας. Οι προφυλακτήρες της κάτω λάμας έχουν ελατήρια και έτσι επιστρέφουν στην αρχική τους θέση όταν η κοπή ολοκληρωθεί και η λαβή σηκωθεί. Ο προφυλακτήρας της άνω λάμας πέφτει επίπεδα στην άνω επιφάνεια αφού το τεμάχιο εργασίας περάσει από κάτω του. ΠΟΤΕ ΜΗΝ ΕΞΟΥΔΕΤΕΡΩΣΕΤΕ Η ΑΦΑΙΡΕΣΕΤΕ ΤΟΥΣ ΠΡΟΦΥΛΑΚΤΗΡΕΣ ΤΗΣ ΚΑΤΩ ΛΑΜΑΣ, ΤΟ ΕΛΑΤΗΡΙΟ ΠΟΥ ΠΡΟΣΑΡΜΟΖΕΤΑΙ ΣΤΟΝ ΠΡΟΦΥΛΑΚΤΗΡΑ ΤΗΣ ΚΑΤΩ ΛΑΜΑΣ, Η ΤΟΝ ΠΡΟΦΥΛΑΚΤΗΡΑ ΤΗΣ ΑΝΩ ΛΑΜΑΣ.

Για το καλό της προσωπικής σας ασφάλειας, πάντοτε διατηρείτε κάθε προφυλακτήρα λάμας σε καλή κατάσταση. Οποιαδήποτε μη κανονική λειτουργία των προφυλακτών πρέπει να διορθώνεται αμέσως. Ελέγξτε για να βεβαιωθείτε για την λειτουργία επαναφοράς των ελατηρίων των προφυλακτών των κάτω λαμών. ΠΟΤΕ ΜΗ ΧΡΗΣΙΜΟΠΟΙΗΣΕΤΕ ΤΟ ΕΡΓΑΛΕΙΟ ΕΑΝ Ο ΠΡΟΦΥΛΑΚΤΗΡΑΣ ΤΗΣ ΚΑΤΩ ΛΑΜΑΣ, ΤΟ ΕΛΑΤΗΡΙΟ Η Ο ΠΡΟΦΥΛΑΚΤΗΡΑΣ ΤΗΣ ΑΝΩ ΛΑΜΑΣ ΕΧΟΥΝ ΖΗΜΙΑ, ΒΛΑΒΗ Η ΕΧΟΥΝ ΑΦΑΙΡΕΘΕΙ. ΕΑΝ ΤΟ ΠΡΑΞΕΤΕ ΕΙΝΑΙ ΠΟΛΥ ΕΠΙΚΙΝΔΥΝΟ ΚΑΙ ΜΠΟΡΕΙ ΝΑ ΠΡΟΚΑΛΕΣΕΙ ΣΟΒΑΡΟ ΠΡΟΣΩΠΙΚΟ ΤΡΑΥΜΑΤΙΣΜΟ. Εάν κάποιος από τους διαφανείς προφυλακτήρες λάμας ρυπανθεί, ή πριονόσκονη κολλήσει πάνω του με τέτοιο τρόπο που η λάμα δεν είναι πλέον ορατή, αποσυνδέστε το πριόνι και καθαρίστε τους προφυλακτήρες προσεκτικά με ένα υγρό ύφασμα. Μη χρησιμοποιήσετε διαλύτες ή απορρυπαντικά με βάση το πετρέλαιο για τους πλαστικούς προφυλακτήρες.

Εάν ο προφυλακτήρας Α της κάτω λάμας έχει ιδιαίτερα ρυπανθεί και η θέαση μέσω του προφυλακτήρα είναι μειωμένη, προχωρήστε ως εξής. Στερεώστε το τραπέζι κορυφής στην πλήρως υψωμένη θέση, σηκώστε την λαβή εντελώς, σπρώξτε μέσα πλήρως τον ανασταλτικό πείρο με την λαβή εντελώς υψωμένη και χρησιμοποιήστε το παρεχόμενο κοίλο κλειδί να χαλαρώσετε το εξάγωνο μπουλόνι που συγκρατεί το κάλυμμα κέντρου. Χαλαρώστε το εξάγωνο μπουλόνι στρίβοντας το αριστερόστροφα και σηκώστε τον προφυλακτήρα Α της κάτω λάμας και το κάλυμμα κέντρου ενώ σπρώχνετε τον μοχλό στα αριστερά. Με τον προφυλακτήρα Α της κάτω λάμας στη θέση αυτή, το καθαρίσμα μπορεί να γίνει καλύτερα και επαρκέστερα. Όταν το καθαρίσμα ολοκληρωθεί, αντιστρέψτε την παραπάνω διαδικασία και ασφαλίστε το μπουλόνι.

Στην ίδια περίπτωση για τον προφυλακτήρα της λάμας κορυφής όπως περιγράφηκε παραπάνω, χαλαρώστε την βίδα που τον κρατάει με ένα κατσαβίδι και αφαιρέστε τον προφυλακτήρα της λάμας κορυφής. Μετά το καθαρίσμα, πάντοτε επανατοποθετείτε τον με ασφάλεια σφίγγοντας την βίδα τόσο όσο ο προφυλακτήρας της λάμας κορυφής να κινείται απαλά επάνω και κάτω.

Εάν κάποιος από τους προφυλακτές αυτούς αποχρωματισθεί από τον χρόνο ή από έκθεση σε υπερϊώδη ακτινοβολία, αποτανθείτε σε ένα κέντρο εξυπηρέτησης της Μάκita για ένα νέο προφυλακτήρα. ΜΗΝ ΕΞΟΥΔΕΤΕΡΩΣΕΤΕ Η ΑΦΑΙΡΕΣΕΤΕ ΤΟΥΣ ΠΡΟΦΥΛΑΚΤΗΡΕΣ.

Διατήρηση μέγιστης ικανότητας κοπής (Εικ. 6 και 7)

Αυτό το εργαλείο είναι εργοστασιακά ρυθμισμένο να παρέχει την μέγιστη ικανότητα κοπής για μία λάμα 260 χιλ.

Όταν τοποθετείτε μία νέα λάμα, πάντοτε ελέγχετε την θέση του κατωτέρου οριού της λάμας και εάν είναι απαραίτητο, ρυθμίστε το ως εξής:

ΠΡΟΣΟΧΗ:

- Όταν κάνετε την ρύθμιση αυτή, τοποθετήστε το πάνω τραπέζι στην χαμηλότερη θέση αφού αποσυνδέσετε το εργαλείο από το ρεύμα.

Πρώτα, αποσυνδέστε το εργαλείο. Τοποθετήστε το τραπέζι κορυφής στην χαμηλότερη θέση. Κατεβάστε την λαβή εντελώς. Χρησιμοποιήστε το κοίλο κλειδί να περιστρέψτε το μπουλόνι ρύθμισης που θα βρείτε κάτω στην μεγαλύτερη τρύπα στο τραπέζι κορυφής, μέχρι η περιφέρεια της λάμας εκτείνεται ελαφρά κάτω από την επάνω επιφάνεια της περιστροφικής βάσης στο σημείο όπου η εμπρόσθια όψη του φράκτη οδηγού συναντάει την επάνω επιφάνεια της περιστροφικής βάσης.

Με το εργαλείο αποσυνδεδεμένο, περιστρέψτε την λάμα με το χέρι ενώ κρατάτε την λαβή εντελώς κάτω για να είστε βέβαιοι ότι η λαβή δεν κάνει επαφή με κανένα μέρος της κάτω βάσης. Επαναρυθμίστε ελαφρά, εάν είναι απαραίτητο.

ΠΡΟΣΟΧΗ:

- Μετά την εγκατάσταση μίας νέας λάμας, πάντοτε βεβαιώνετε ότι η λάμα δεν κάνει επαφή με κανένα μέρος της κάτω βάσης όταν η λαβή είναι εντελώς κατεβασμένη. Πάντοτε εκτελείτε αυτό με το εργαλείο αποσυνδεδεμένο.

Ρύθμιση της λοξής γωνίας (Εικ. 8)

Χαλαρώστε την λαβή στρίβοντας την αριστερόστροφα. Γυρίστε την περιστροφική βάση ενώ πιέζετε προς τα κάτω τον μοχλό κλειδώματος. Όταν έχετε μετακινήσει την λαβή στην θέση που ο δείκτης δείχνει την επιθυμητή γωνία στην λοξή κλίμακα, σφίχτε με ασφάλεια την λαβή δεξιόστροφα.

ΠΡΟΣΟΧΗ:

- Όταν στρέφετε την περιστροφική βάση, βεβαιώνστε ότι σηκώνετε την λαβή πλήρως.
- Αφού αλλάξετε την λοξή γωνία, πάντοτε ασφαλίστε την περιστροφική βάση σφίγγοντας την λαβή σταθερά.

Ρύθμιση της κωνικής γωνίας (Εικ. 9 και 10)

Για να ρυθμίσετε την κωνική γωνία, χαλαρώστε τον μοχλό στο πίσω μέρος του εργαλείου αριστερόστροφα.

Σπρώχτε την λαβή στα αριστερά, να δώσετε κλίση στην λάμα πριονιού μέχρι ο δείκτης δείχνει την επιθυμητή γωνία στην κωνική κλίμακα. Μετά σφίχτε τον μοχλό σταθερά δεξιόστροφα να ασφαλίσετε τον βραχίονα.

ΠΡΟΣΟΧΗ:

- Όταν δίνετε κλίση στην λάμα πριονιού, βεβαιώνστε ότι σηκώνετε την λαβή πλήρως.
- Αφού αλλάξετε την κωνική γωνία, πάντοτε ασφαλίστε την περιστροφική βάση σφίγγοντας την λαβή σταθερά.

Δράση διακόπτη (Εικ. 11)

ΠΡΟΣΟΧΗ:

- Πριν από την λειτουργία, βεβαιωθείτε ότι το εργαλείο ανάβει και σβήνει.

Για να ξεκινήσετε το εργαλείο, πατήστε το κουμπί ON (I). Για να σταματήσετε το εργαλείο, πατήστε το κουμπί OFF (O).

Αναμμι των λαμπών (Εικ. 11 και 12)

Μόνο για μοντέλο LH1040F

Σπρώχτε την πάνω θέση του διακόπτη για να ανάψετε το φως και την κάτω θέση για να το σβήσετε.

ΠΡΟΣΟΧΗ:

- Μη κτυπάτε το φως ή βλέπετε την πηγή φωτός απευθείας.

ΣΗΜΕΙΩΣΗ:

- Χρησιμοποιείτε ένα στεγνό ύφασμα να σκουπίσετε τους ρύπους από τους φακούς της λάμπας. Προσέχετε να μη γρατσουνίσετε τους φακούς του φωτός γιατί θα ελαττωθεί ο φωτισμός.

Ρύθμιση του επιπέδου του άνω τραπέζιου

(Εικ. 13)

Για να ρυθμίσετε το επίπεδο του άνω τραπέζιου, χαλαρώστε δύο μοχλούς στρίβοντας αριστερόστροφα και μετά σηκώστε ή χαμηλώστε το άνω τραπέζι. Σφίχτε αυτούς τους μοχλούς σταθερά μετά την ρύθμιση.

ΠΡΟΕΙΔΟΠΟΙΗΣΗ:

- Τοποθετήστε το πάνω τραπέζι στην υψηλότερη δυνατή θέση όταν χρησιμοποιείτε το εργαλείο στην θέση λειτουργίας λοξού πριονιού και στην επιθυμητή θέση όταν το χρησιμοποιείτε στην θέση λειτουργίας επιτραπέζιου πριονιού (λειτουργία πάγκου).

ΣΥΝΟΛΟ

ΠΡΟΣΟΧΗ:

- Πάντοτε βεβαιώνστε ότι το εργαλείο είναι σβηστό και αποσυνδεδεμένο πριν εκτελέσετε οποιαδήποτε εργασία στο εργαλείο.

Τοποθέτηση ή αφαίρεση της λάμας πριονιού

ΠΡΟΣΟΧΗ:

- Πάντοτε βεβαιώνστε ότι το εργαλείο είναι σβηστό και αποσυνδεδεμένο πριν τοποθετήσετε ή αφαιρέσετε την λάμα.
- Χρησιμοποιείτε μόνο τον παρεχόμενο κοίλο κλειδί Μάκιτα για να τοποθετήσετε ή αφαιρέσετε την λάμα. Διαφορετικά μπορεί να προκληθεί υπερβολικό ή ανεπαρκές σφίξιμο του εξαγώνου μπουλονιού. Πράγμα που μπορεί να προκαλέσει τραυματισμό.

Ασφαλίστε το πάνω τραπέζι στην υψηλότερη δυνατή θέση.

Κλειδώστε την λαβή στην ανασηκωμένη θέση σπρώχνοντας μέσα τον ανασταλτικό πείρο. **(Εικ. 14)** Για να αφαιρέσετε την λάμα, πρώτα χαλαρώστε την βίδα σύσφιξης έτσι ώστε ο προφυλακτήρας Β της κάτω λάμας να χαμηλώσει όπως φαίνεται στην εικόνα. **(Εικ. 15)**

Μετά χρησιμοποιείτε το κοίλο κλειδί να χαλαρώσετε το εξαγώνο μπουλόνι που συγκρατεί το κάλυμμα κέντρου γυρίζοντάς το αριστερόστροφα. Σηκώστε τον προφυλακτήρα Α της κάτω λάμας και το κάλυμμα κέντρου ενώ σπρώχνετε τον μοχλό κοντά στην λαβή στα αριστερά. **(Εικ. 16)**

Πατήστε την ασφάλιση άξονα για να κλειδώσετε τον αξονίσκο και χρησιμοποιείτε το κοίλο κλειδί για να χαλαρώσετε το εξαγώνο μπουλόνι δεξιόστροφα. Μετά αφαιρέστε το εξαγώνο μπουλόνι, εξωτερική φλάντζα και λάμα. **(Εικ. 17)**

Για να τοποθετήσετε την λάμα, βάλτε την προσεκτικά πάνω στον αξονίσκο, κάνοντας βέβαιο ότι η διεύθυνση του βέλους στην επιφάνεια της λάμας συμπίπτει με την διεύθυνση του βέλους στην θήκη της λάμας. Τοποθετήστε την εξωτερική φλάντζα και εξαγώνο μπουλόνι και μετά χρησιμοποιείτε το κοίλο κλειδί να σφίξετε το εξαγώνο μπουλόνι (αριστερόχειρο) με ασφάλεια αριστερόστροφα ενώ πιέζετε την ασφάλεια άξονα. **(Εικ. 18 και 19)**

ΣΗΜΕΙΩΣΗ:

- Όταν τοποθετείτε μία λάμα πριονιού, βεβαιώνστε ότι την βάζετε από το εξωτερικό του προφυλακτήρα Β της λάμας πρώτα και μετά σηκώστε την έτσι ώστε η λάμα να τοποθετηθεί τελικά στον προφυλακτήρα Β της λάμας.

Για όλες τις χώρες εκτός των χωρών Ευρώπης

ΠΡΟΣΟΧΗ:

- Ο ασημένιος δακτύλιος 25,4 χιλ εξωτερικής διαμέτρου είναι εργοστασιακά τοποθετημένος επί του αξονίσκου. Ο μαύρος δακτύλιος 25 χιλ εξωτερικής διαμέτρου συμπεριλαμβάνεται ως παρεχόμενο εξάρτημα. Πριν τοποθετήσετε την λάμα επί του αξονίσκου, πάντοτε βεβαιώνστε ότι ο σωστός δακτύλιος για την τρύπα ατράκτου της λάμας που προτίθεστε να χρησιμοποιήσετε είναι τοποθετημένος πάνω στον αξονίσκο. **(Εικ. 20)**

Πα χώρες Ευρώπης

ΠΡΟΣΟΧΗ:

- Ο δακτύλιος 30 χιλ εξωτερικής διαμέτρου είναι εργοστασιακά τοποθετημένος μεταξύ εσωτερικής και εξωτερικής φλάντζας. **(Εικ. 20)**

Επαναφέρετε τον προφυλακτήρα Α της κάτω λάμας και κάλυμμα κέντρου στην αρχική του θέση. Μετά σφίχτε το εξάγωνο μπουλόνι δεξιόστροφα για να ασφαλίσετε το κάλυμμα κέντρου. Σηκώστε τον προφυλακτήρα Β λάμας όσο μπορεί να πάει και σφίχτε την βίδα σύσφιξης σταθερά ενώ τον κρατάτε στην υψωμένη θέση. Χαμηλώστε την λαβή να βεβαιωθείτε ότι οι προφυλακτήρες της κάτω λάμας κινούνται κανονικά. Βεβαιωθείτε ότι το κλειδωμα του άξονα έχει ελευθερώσει τον αξονίσκο πριν κάνετε την κοπή.

Ρύθμιση μαχαιριού σχισίματος

Πριν ρυθμίσετε το μαχαίρι σχισίματος, χαλαρώστε τους δύο μοχλούς στρίβοντας αριστερόστροφα και πατήστε το τραπέζι κορυφής στην δεξιά πλευρά κοντά στο μαχαίρι σχισίματος στην κάτω θέση. Μετά ασφαλίστε το τραπέζι κορυφής ξανασφίγγοντας σταθερά τους δύο μοχλούς που φαίνονται στην εικόνα. **(Εικ. 21)**

Πρέπει να υπάρχει μιά απόσταση περίπου 4 – 5 χιλ μεταξύ του μαχαιριού σχισίματος και των δοντιών λάμας. Ρυθμίστε το μαχαίρι σχισίματος ανάλογα χαλαρώνοντας τα δύο εξάγωνα μπουλόνια Ρυθμίστε το μαχαίρι σχισίματος ανάλογα, χαλαρώνοντας τα δύο εξάγωνα μπουλόνια αριστερόστροφα με το εξάγωνο κοίλο κλειδί και μετρώντας την απόσταση. Σφίξτε τα εξάγωνα μπουλόνια με ασφάλεια και μετά ελέγξτε να δείτε ότι ο προφυλακτήρας της πάνω λάμας λειτουργεί ομαλά πριν από την κοπή. **(Εικ. 22)**

Το μαχαίρι σχισίματος έχει τοποθετηθεί από το εργοστάσιο, πριν την αποστολή, έτσι ώστε η λάμα και το μαχαίρι σχισίματος να είναι σε ευθεία γραμμή. **(Εικ. 23)**

ΠΡΟΣΟΧΗ:

- Εάν η λάμα και το μαχαίρι σχισίματος δεν είναι ευθυγραμμισμένα κανονικά, μιά επικίνδυνη κατάσταση πιασίματος μπορεί να προκληθεί κατά την λειτουργία. Βεβαιωθείτε ότι είναι κανονικά ευθυγραμμισμένα. Μπορεί να υποστείτε σοβαρό προσωπικό τραυματισμό χρησιμοποιώντας το εργαλείο χωρίς ένα κατάλληλα ευθυγραμμισμένο μαχαίρι σχισίματος. Εάν για οποιοδήποτε λόγο δεν είναι ευθυγραμμισμένα, πάντοτε αποστείνεστε σε εξουσιοδοτημένο κέντρο Μάκita για την επιδιόρθωση.

Τοποθέτηση και ρύθμιση φράκτη σχισίματος

1. Τοποθετήστε τον φράκτη σχισίματος στο τραπέζι έτσι ώστε η θήκη του φράκτη σχισίματος εμπλέκεται με την ράγα οδηγό. Σφίχτε την βίδα σύσφιξης (Β) του φράκτη σχισίματος σταθερά δεξιόστροφα.
2. Χαλάρωμα της βίδα σύσφιξης (Α).

3. Σύρτε τον φράκτη σχισίματος και στερεώστε τον έτσι ώστε το άκρο του φράκτη σχισίματος που βρίσκεται μακριά σας ευθυγραμμίζεται με το σημείο στο οποίο η εμπρόσθια άκρη της λάμας πριονιού μόλις εμφανίζεται από την άνω επιφάνεια του τεμαχίου εργασίας. Ο σκοπός αυτής της ρύθμισης είναι να μειώσει τον κίνδυνο οπισθολακτίσματος προς τον χειριστή όπου το κομμένο τεμάχιο από το τεμάχιο εργασίας πινάται μεταξύ της λάμας πριονιού και του φράκτη σχισίματος και τελικά εξωθείται προς τον χειριστή. Η γραμμή 3 διαφέρει ως προς το πάχος του τεμαχίου εργασίας ή το επίπεδο του τραπέζιου. Ρυθμίστε την θέση του φράκτη σχισίματος ανάλογα με το πάχος του τεμαχίου εργασίας.

Μετά την ρύθμιση του φράκτη σχισίματος, σφίχτε την βίδα σύσφιξης (Α) σταθερά. **(Εικ. 24 και 25)**

ΣΗΜΕΙΩΣΗ:

- Υπάρχουν τέσσερις τρόποι να τοποθετηθεί ο φράκτης σχισίματος όπως φαίνεται στην εικόνα. **(Εικ. 26)** Ο φράκτης σχισίματος έχει δύο σχισμές στις πλευρές του, μιά σχισμή με μιά παρυφή κοντά στην ίδια πλευρά και μιά χωρίς. Χρησιμοποιείστε την επιφάνεια του φράκτη σχισίματος με αυτήν την παρυφή να βλέπει το τεμάχιο εργασίας μόνο όταν κόβετε σε ένα μέρος ενός λεπτού τεμαχίου εργασίας.
- Για να αλλάξετε το σχέδιο του φράκτη σχισίματος, αφαιρέστε τον φράκτη σχισίματος από την θήκη του φράκτη σχισίματος χαλαρώνοντας την βίδα σύσφιξης (Α) και αλλάξτε την διεύθυνση του φράκτη σχισίματος στην διεύθυνση της θήκης φράκτη σχισίματος έτσι ώστε ο φράκτης σχισίματος βλέπει την θήκη του φράκτη σχισίματος σύμφωνα με την εργασία σας όπως φαίνεται στην εικόνα. Βάλτε το τετράγωνο παξιμάδι στη θήκη φράκτη σχισίματος στην οπίσθια άκρη κάθε σχισμής του φράκτη σχισίματος έτσι ώστε να συνενωθούν όπως φαίνεται στην εικόνα.

Για να αλλάξετε από το σχέδιο Α ή Β στο σχέδιο C ή D, ή στην αντίθετη περίπτωση, αφαιρέστε το τετράγωνο παξιμάδι, ροδέλλα και βίδα σύσφιξης (Α) από την θήκη του φράκτη σχισίματος, μετά τοποθετήστε την βίδα σύσφιξης (Α), ροδέλλα και τετράγωνο παξιμάδι στην αντίθετη θέση του φράκτη σχισίματος σε σύγκριση με την αρχική θέση. Σφίχτε την βίδα σύσφιξης (Α) στερεά αφού βάλετε το τετράγωνο παξιμάδι της θήκης φράκτη σχισίματος στην σχισμή του φράκτη σχισίματος. Βάλτε το τετράγωνο παξιμάδι της θήκης του φράκτη σχισίματος στο οπίσθιο άκρο κάθε σχισμής του φράκτη σχισίματος, έτσι ώστε να προσαρμόσουν όπως φαίνεται στην εικόνα. **(Εικ. 27)**

Ο φράκτης σχισίματος είναι εργοστασιακά ρυθμισμένος έτσι ώστε να είναι παράλληλος στην επιφάνεια της λάμας. Βεβαιωθείτε ότι είναι παράλληλος. Για να ελέγξετε με βεβαιότητα ότι ο φράκτης σχισίματος είναι παράλληλος με την λάμα, χαμηλώστε το τραπέζι στην κατώτερη θέση έτσι ώστε η λάμα εμφανίζεται στην υψηλότερη θέση από το τραπέζι. Σημειώστε ένα από τα δόντια της λάμας με ένα μαρκαδόρο. Μετρήστε την απόσταση (Α) και (Β) μεταξύ του φράκτη σχισίματος και λάμας. Πάρτε και τις δύο μετρήσεις χρησιμοποιώντας το δόντι που σημειώθηκε με μαρκαδόρο. **(Εικ. 28)** Αυτές οι δύο μετρήσεις πρέπει να είναι ταυτόσημες εάν ο φράκτης σχισίματος δεν είναι παράλληλος με την λάμα, προχωρήστε ως εξής: **(Εικ. 29)**

1. Στρίψτε τις δύο βίδες ρύθμισης αριστερότροφα.
2. Μετατοπίστε την οπίσθια άκρη του φράκτη σχισίματος ελαφρά στα αριστερά ή στα δεξιά μέχρι να γίνει παράλληλη με την λάμα.
3. Σφίξτε τις δύο βίδες στον φράκτη σχισίματος σταθερά.

ΠΡΟΣΟΧΗ:

- Βεβαιωθείτε ότι ρυθμίζετε τον φράκτη σχισίματος έτσι ώστε να είναι παράλληλος με την λάμα, αλλιώς, μία επικίνδυνη κατάσταση οπισθοκλισίματος μπορεί να συμβεί.
- Βεβαιωθείτε ότι ρυθμίζετε τον φράκτη σχισίματος έτσι ώστε δεν κάνει επαφή με τον προφυλακτήρα της άνω λάμας ή με την λάμα πριονιού. **(Εικ. 30)**

Σάκος σκόνης

Η χρήση του σάκου σκόνης κάνει τις εργασίες κοπής καθαρές και την συλλογή σκόνης εύκολη. Για να προσαρμόσετε τον σάκο σκόνης, εφαρμόστε τον στο στόμιο σκόνης. **(Εικ. 31)**

ΣΗΜΕΙΩΣΗ:

- Κατά την λειτουργία λοξού πριονιού, πάντοτε βάζετε τον σάκο σκόνης μόνο στο οπίσθιο στόμιο. Όταν ο σάκος σκόνης είναι περίπου μισογεμάτος, αφαιρέστε τον σάκο σκόνης από το εργαλείο και τραβήξτε τον προσδετήρα έξω. Αδειάστε τον σάκο σκόνης από τα περιεχόμενά του, χτυπώντας τον ελαφρά έτσι ώστε να αφαιρέσετε τα σωματίδια που είναι κολλημένα στο εσωτερικό για να μην εμποδίζουν την περαιτέρω συλλογή. **(Εικ. 32)** Εάν συνδέσετε μία ηλεκτρική σκούπα στο πρίονι σας, καθαρότερες και επαρκέστερες εργασίες μπορούν να εκτελεστούν.

Για να τοποθετήσετε το κάλυμμα λάμας όταν χρησιμοποιείτε την λειτουργία επιτραπέζιου πριονιού (λειτουργία πάγκου), γυρίστε την περιστροφική βάση σε λοξή γωνία 0° (δείτε το τμήμα με τίτλο “Ρύθμιση λοξής γωνίας”) και τοποθετήστε το κάλυμμα λάμας στο περιστροφικό τραπέζι έτσι ώστε το κάλυμμα λάμας είναι στο κέντρο πάνω από την σχισμή για την είσοδο της λάμας στο περιστροφικό τραπέζι και μετά κλειδώστε την λαβή στην χαμηλότερη θέση σπρώχνοντας εντελώς μέσα τον ανασταλτικό πεύρο όπως φαίνεται στην εικόνα. **(Εικ. 33)**

ΠΡΟΣΟΧΗ:

- Για να προσαρμόσετε τον σάκο σκόνης στο εμπρόσθιο στόμιο σκόνης στην λειτουργία επιτραπέζιου πριονιού (λειτουργία πάγκου), πρώτα αφαιρέστε το καπάκι από το εμπρόσθιο στόμιο σκόνης και μετά προσαρμόστε τον σάκο σκόνης στο στόμιο σκόνης.

- Όταν δεν χρησιμοποιείτε σάκο σκόνης, πάντοτε επανατοποθετείτε το καπάκι στο εμπρόσθιο στόμιο σκόνης. Εάν δεν το κάνετε το αποτέλεσμα θα είναι διασκορπισμός της σκόνης από το στόμιο.
- Όταν χρησιμοποιείτε το εργαλείο στην λειτουργία επιτραπέζιου τραπέζιου (λειτουργία πάγκου), βεβαιωθείτε ότι το κάλυμμα λάμας είναι τοποθετημένο στο περιστροφικό τραπέζι.

Ασφάλιση τεμαχίου εργασίας

Όταν είναι δυνατόν, ασφαλίστε το τεμάχιο εργασίας με την προαιρετική μέγγενη. Εάν πρέπει να χρησιμοποιήσετε το χέρι σας να κρατάτε το τεμάχιο εργασίας, τότε πρέπει να γίνει σταθερά και με ασφάλεια για να μην απωλέσετε τον έλεγχο του τεμαχίου εργασίας. Το χέρι σας και ο βραχίονας πρέπει να κρατούνται σε αρκετή απόσταση από την περιοχή της λάμας. (100 χιλ ελάχιστο). Συμπίεστε το τεμάχιο εργασίας σταθερά επί του φράκτη οδηγού με τα δακτύλα σας κρατημένα πάνω από την κορυφή του φράκτη οδηγού. Το τεμάχιο εργασίας πρέπει επίσης να εφάπτεται σταθερά στην περιστροφική βάση.

ΠΡΟΕΙΔΟΠΟΙΗΣΗ:

- Ποτέ μη χρησιμοποιείτε το χέρι σας για να κρατάτε το τεμάχιο εργασίας εάν απαιτείται το χέρι σας να είναι πιο κοντά από 100 χιλ από την περιοχή της λάμας. Στην περίπτωση αυτή πάντοτε χρησιμοποιείτε την προαιρετική μέγγενη για να ασφαλίσετε το τεμάχιο εργασίας. Μετά από κάθε λειτουργία κοπής, σηκώνετε την λάμα απαλά. Ποτέ μη σηκώνετε την λάμα μέχρι να έχει σταματήσει τελείως. Σοβαρός τραυματισμός μπορεί να συμβεί.

ΠΡΟΣΟΧΗ:

- Όταν κόβετε επιμήκη τεμάχια εργασίας, χρησιμοποιείτε υποστηρίγματα που είναι τόσο υψηλά όσο η άνω επιφάνεια της περιστροφικής βάσης. Μη βασίζεστε αποκλειστικά στην κατακόρυφη μέγγενη και/ή οριζόντια μέγγενη (και οι δύο προαιρετικές) για να ασφαλίσετε το τεμάχιο εργασίας. **(Εικ. 34)** Τα λεπτά υλικά έχουν τάση να λυγίζουν. Υποστηρίξτε το τεμάχιο εργασίας καθόλο το μήκος του για να αποφύγετε πιάσιμο της λάμας και πιθανό ΟΠΙΣΘΟΛΑΚΤΙΣΜΑ.

Κατακόρυφη μέγγενη (προαιρετικό εξάρτημα) **(Εικ. 35)**

Η κατακόρυφη μέγγενη μπορεί να τοποθετηθεί σε δύο θέσεις είτε στα δεξιά είτε στα αριστερά του φράκτη οδηγού ή του συνόλου θήκης (προαιρετικό εξάρτημα). Βάλτε την ράβδο μέγγενης μέσα στην τρύπα στον φράκτη οδηγού ή στο σύνολο θήκης και σφίξτε την βίδα να ασφαλίσετε την ράβδο μέγγενης. Τοποθετήστε τον βραχίονα μέγγενης σύμφωνα με το πάχος και σχήμα του τεμαχίου εργασίας και ασφαλίστε τον βραχίονα της μέγγενης σφίγγοντας την βίδα. Εάν η βίδα που ασφαρίζει τον βραχίονα μέγγενης κάνει επαφή με τον φράκτη οδηγό, τοποθετήστε την βίδα στην αντίθετη πλευρά του βραχίονα μέγγενης. Βεβαιωθείτε ότι κανένα μέρος του εργαλείου δεν αγγίζει την μέγγενη όταν χαμηλώνετε την λαβή εντελώς. Εάν κάποιο μέρος την αγγίζει, επανατοποθετείτε την μέγγενη. Πιέστε το τεμάχιο εργασίας επίπεδο επί του φράκτη οδηγού και την περιστροφική βάση. Τοποθετήστε το τεμάχιο εργασίας στην επιθυμητή θέση κοπής και ασφαλίστε σταθερά σφίγγοντας το κουμπί της μέγγενης.

ΠΡΟΣΟΧΗ:

- Το τεμάχιο εργασίας πρέπει να ασφαλιστεί σταθερά επί της περιστροφικής βάσης και φράκτη οδηγού.

Οριζόντια μέγγενη (προαιρετικό εξάρτημα) (Εικ. 36)

Η οριζόντια μέγγενη μπορεί να τοποθετηθεί είτε στην αριστερή είτε στην δεξιά πλευρά της βάσης. Όταν εκτελείτε λοξές κοπές 15° ή μεγαλύτερες, τοποθετήστε την οριζόντια μέγγενη στην πλευρά απέναντι από την διεύθυνση προς την οποία πρόκειται να περιστραφεί η περιστροφική βάση. Γυρίζοντας το κουμπί της μέγγενης αριστερόστροφα, η βίδα ελευθερώνεται και ο άξονας της μέγγενης μπορεί να μετακινηθεί γρήγορα μέσα και έξω. Γυρίζοντας το κουμπί της μέγγενης δεξιόστροφα, η βίδα παραμένει ασφαλισμένη. Για να πιάσετε το τεμάχιο εργασίας, γυρίστε το κουμπί της μέγγενης απαλά δεξιόστροφα μέχρι η προβολή να φθάσει στην υψηλότερη θέση, μετά στερεώστε με ασφάλεια. Εάν το κουμπί της βίδας της μέγγενης σπρωχθεί μέσα ή τραβηχθεί έξω ενώ περιστρέφεται δεξιόστροφα, η προβολή θα σταματήσει σε κάποια γωνία. Στην περίπτωση αυτή γυρίστε το κουμπί της μέγγενης πίσω αριστερόστροφα μέχρι να ελευθερωθεί η βίδα, πριν το γυρίσετε πάλι απαλά δεξιόστροφα.

Το μέγιστο πλάτος του τεμαχίου εργασίας το οποίο μπορεί να ασφαλιστεί με την οριζόντια μέγγενη είναι 130 χιλ.

Θήκες και σύνολο θήκης (προαιρετικά εξάρτηματα)

Οι θήκες και σύνολο θήκης μπορούν να τοποθετηθούν σε οποιαδήποτε πλευρά ως ένα βολικό μέσο υποστήριξης τεμαχίων εργασίας οριζόντια. Τοποθετήστε τα όπως φαίνεται στην εικόνα. Μετά σφίχτε τις βίδες σταθερά να ασφαλίσετε τις θήκες και το σύνολο θήκης. **(Εικ. 37)** Όταν κόβετε μακρὰ τεμάχια εργασίας, χρησιμοποιείτε το σύνολο θήκη-ράβδος (προαιρετικό εξάρτημα). Αυτό αποτελείται από δύο σύνολα θήκης και δύο ράβδους 12. **(Εικ. 38)**

ΠΡΟΣΟΧΗ:

- Πάντοτε υποστηρίζετε επιμήκη τεμάχια εργασίας στο ίδιο επίπεδο με την άνω επιφάνεια της περιστροφικής βάσης για κοπές ακριβείας και για να εμποδιστεί η επικίνδυνη απώλεια ελέγχου του εργαλείου.

ΛΕΙΤΟΥΡΓΙΑ

ΠΡΟΣΟΧΗ:

- Πριν από την χρήση, βεβαιώστε ότι ελευθερώσετε την λαβή από την χαμηλωμένη θέση σπρώχνοντας τον ανασταλτικό πείρο.
- Βεβαιώστε ότι η λάμα δεν κάνει επαφή με το τεμάχιο εργασίας, κλπ. πριν ανάψετε τον διακόπτη.

ΚΟΨΙΜΟ ΩΣ ΛΟΞΟ ΠΡΙΟΝΙ

ΠΡΟΕΙΔΟΠΟΙΗΣΗ:

- Όταν χρησιμοποιείτε το εργαλείο στη θέση λειτουργίας λοξού πριονιού, ασφαλίστε το άνω τραπέζι στην υψηλότερη δυνατή θέση έτσι ώστε η λάμα πριονιού να μην προεξέχει από την άνω επιφάνεια του άνω τραπεζιού.

ΠΡΟΣΟΧΗ:

- Μην εξασκείτε υπερβολική πίεση στην λαβή όταν κόβετε. Πάρα πολύ δύναμη θα έχει ως αποτέλεσμα υπερφόρτωση του κινητήρα και/ή μειωμένη επάρκεια κοπής. Πιέζετε κάτω την λαβή με μόνο τόση δύναμη όσο είναι απαραίτητο για απαλό κόψιμο και χωρίς σημαντική μείωση στην ταχύτητα της λάμας.
- Πατήστε απαλά κάτω την λαβή να εκτελέσετε το κόψιμο. Εάν η λαβή πατηθεί με δύναμη κάτω ή εάν εφαρμοστεί πλάγια δύναμη, η λάμα θα δονηθεί και θα αφήσει ένα σημάδι (σημάδι πριονιού) στο τεμάχιο εργασίας και η ακρίβεια της κοπής θα ελαττωθεί.

1. Κοπή πίεσης (Εικ. 39)

Ασφαλίστε το τεμάχιο εργασίας έναντι φράκτη οδηγού και περιστροφικού τραπεζιού. Ανάψτε το εργαλείο χωρίς η λάμα να κάνει καμιά επαφή και περιμένετε μέχρι η λάμα να αποκτήσει πλήρη ταχύτητα πριν την χαμηλώσετε. Μετά χαμηλώστε απαλά την λαβή στην κατώτερη δυνατή θέση για να κόψετε το τεμάχιο εργασίας. Όταν η κοπή έχει ολοκληρωθεί, σβήστε το εργαλείο και ΠΕΡΙΜΕΝΕΤΕ ΜΕΧΡΙ Η ΛΑΜΑ ΝΑ ΣΤΑΜΑΤΗΣΗ ΤΕΛΕΙΩΣ πριν επαναφέρετε την λάμα στην πλήρως ανασηκωμένη θέση της.

2. Λοξή κοπή

Ανατρέξτε στο προηγούμενο εδάφιο “Ρύθμιση της λοξής γωνίας”.

3. Κωνική κοπή (Εικ. 40)

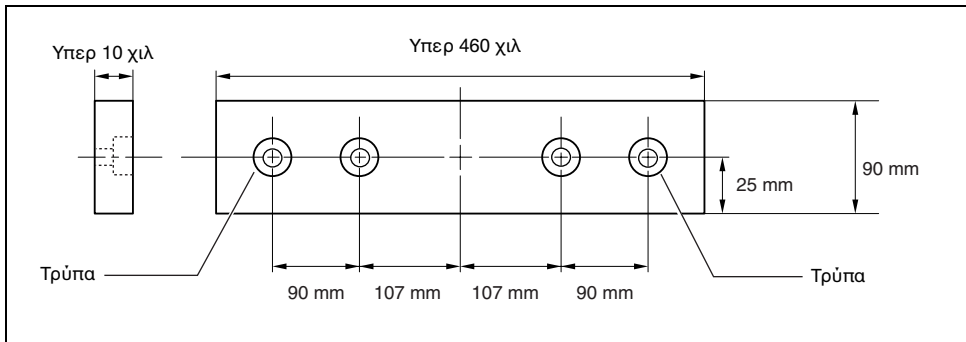
Χαλαρώστε τον μοχλό και κλίνετε την λάμα πριονιού να ρυθμίσετε την κωνική γωνία (Ανατρέξτε στο προηγούμενο εδάφιο “Ρύθμιση της κωνικής γωνίας”). Βεβαιώστε ότι ξανασφίγγετε τον μοχλό σταθερά να ασφαλίσετε την επιλεχθείσα κωνική γωνία με ασφάλεια. Ασφαλίστε το τεμάχιο εργασίας έναντι φράκτη οδηγού και περιστροφικού τραπεζιού. Βεβαιωθείτε ότι η κινητή βάση έχει τραβηχθεί εντελώς προς τον χειριστή. Ανάψτε το εργαλείο χωρίς η λάμα να κάνει καμιά επαφή και περιμένετε μέχρι η λάμα να αποκτήσει πλήρη ταχύτητα. Μετά χαμηλώστε απαλά την λαβή στην κατώτερη δυνατή θέση ενώ εφαρμόζετε πίεση παράλληλα με την λάμα. Όταν η κοπή έχει ολοκληρωθεί, σβήστε το εργαλείο και ΠΕΡΙΜΕΝΕΤΕ ΜΕΧΡΙ Η ΛΑΜΑ ΝΑ ΣΤΑΜΑΤΗΣΗ ΤΕΛΕΙΩΣ πριν επαναφέρετε την λάμα στην πλήρως ανασηκωμένη θέση της.

ΠΡΟΣΟΧΗ:

- Πάντοτε βεβαιώνετε ότι η λάμα θα κινηθεί κάτω προς κωνική διεύθυνση κατά την διάρκεια μιάς κωνικής κοπής. Κρατάτε τα χέρια σας μακριά από την διαδρομή της λάμας πριονιού.
- Κατά την διάρκεια μιας κωνικής κοπής, μπορεί να δημιουργηθεί μιά κατάσταση όπου το κομμένο τεμάχιο θα παραμείνει στην πλευρά της λάμας. Εάν η λάμα ανασηκωθεί ενώ περιστρέφεται, αυτο το τεμάχιο μπορεί να πιαστεί από την λάμα, και να προκληθεί διασκορπισμός τεμαχιδίων πράγμα που είναι επικίνδυνο. Η λάμα πρέπει να ανασηκώνεται ΜΟΝΟ αφού έχει σταματήσει τελείως.
- Όταν πιέζετε την λαβή κάτω, εφαρμόζετε πίεση παράλληλα στην λάμα. Εάν η πίεση δεν είναι παράλληλη στην λάμα κατά την διάρκεια της κοπής, η γωνία της λάμας μπορεί να μετακινηθεί και ακρίβεια της κοπής θα μειωθεί.

6. Επένδυση ξύλου

Η χρήση επένδυσης ξύλου βοηθάει στην εξασφάλιση κοπών χωρίς σκλήθρες στα τεμάχια εργασίας. Προσαρμόστε μιά επένδυση ξύλου στον φράχτη οδηγό χρησιμοποιώντας τις τρύπες στον φράχτη οδηγό. Δείτε την εικόνα σχετικά με τις διαστάσεις για μιά προτεινόμενη επένδυση ξύλου.



ΠΡΟΣΟΧΗ:

- Χρησιμοποιείτε ίσιο ξύλο ομοιόμορφου πάχους για την επένδυση ξύλου.
- Χρησιμοποιείτε βίδες για να προσαρμόσετε την επένδυση ξύλου στον φράχτη οδηγό. Οι βίδες πρέπει να τοποθετούνται έτσι ώστε οι κεφαλές των βιδών είναι κάτω από την επιφάνεια της επένδυσης ξύλου.
- Όταν η επένδυση ξύλου προσαρμόζεται, μη περιστρέψετε την περιστροφική βάση με την λαβή χαμηλωμένη. Η λάμα και η επένδυση ξύλου μπορεί να πάθουν ζημιά.

4. Σύνθετη κοπή

Σύνθετη κοπή είναι η διαδικασία κατά την οποία μιά κωνική γωνία γίνεται την ίδια στιγμή που μιά λοξή γωνία κόβεται σε ένα τεμάχιο εργασίας. Σύνθετη κοπή μπορεί να εκτελεσθεί στην γωνία που φαίνεται στον πίνακα.

Κωνική γωνία	Λοξή γωνία
45°	Αρ. και Δεξ. 0° – 45°

Όταν εκτελείτε σύνθετη κοπή, ανατρέξτε στις εξηγήσεις των εδαφίων “Κοπή πίεσης”, “Λοξή κοπή” και “Κωνική κοπή”.

5. Κοπή προεξοχής αλουμινίου (Εικ. 41)

Όταν ασφαλίσετε προεξοχές αλουμινίου, χρησιμοποιείτε τάκους διαστήματος ή κομμάτια άχρηστα όπως φαίνεται στην εικόνα για να αποφύγετε παραμόρφωση του αλουμινίου. Χρησιμοποιείτε ένα λιπαντικό κοπής όταν κόβετε προεξοχή αλουμινίου για να αποφύγετε συσσώρευση υλικού αλουμινίου πάνω στην λάμα.

ΠΡΟΣΟΧΗ:

- Ποτέ μην επιχειρήσετε να κόψετε παχειές ή στρογγυλές προεξοχές αλουμινίου. Παχειές προεξοχές αλουμινίου μπορεί να χαλαρώσουν κατά την λειτουργία και στρογγυλές προεξοχές αλουμινίου δεν μπορούν να στερεωθούν σταθερά με το εργαλείο αυτό.
- Ποτέ μη κόψετε αλουμίνιο στην θέση λειτουργίας επιτραπέζιου πριονιού (λειτουργία πάγκου)

7. Κοπή επαναληπτικών μηκών (Εικ. 42)

Όταν κόβετε πολλά τεμάχια υλικού στο ίδιο μήκος, από 240 χιλ έως 400 χιλ, χρήση της πλάκας ρύθμισης θα διευκολύνει την επαρκέστερη λειτουργία. Τοποθετείστε την πλάκα ρύθμισης στην θήκη όπως φαίνεται στην εικόνα.

Ευθυγραμμίστε την γραμμή κοπής στο τεμάχιο εργασίας σας με την αριστερή ή δεξιά πλευρά της αυλάκωσης στην σανίδα εγκοπής και ενώ εμποδίζετε το τεμάχιο εργασίας να κινηθεί, μετακινείτε την πλάκα ρύθμισης στο ίδιο ύψος με την άκρη του τεμαχίου εργασίας. Μετά ασφαλίστε την πλάκα ρύθμισης με την βίδα. Όταν η πλάκα ρύθμισης δεν χρησιμοποιείται, χαλαρώστε την βίδα και γυρίστε την πλάκα ρύθμισης ώστε να μην εμποδίζει.

ΣΗΜΕΙΩΣΗ:

- Η χρησιμοποίηση του συνόλου θήκης - ράβδου (προαιρετικό εξάρτημα) επιτρέπει κοπή επαναληπτικών μηκών μέχρι 2.200 χιλ περίπου.

ΚΟΠΗ ΩΣ ΕΠΙΤΡΑΠΕΖΙΟ ΠΡΙΟΝΙ (ΛΕΙΤΟΥΡΓΙΑ ΠΑΓΚΟΥ)

ΠΡΟΣΟΧΗ:

- Όταν χρησιμοποιείτε το εργαλείο στη θέση λειτουργίας επιτραπέζιου πριονιού (λειτουργία πάγκου), τοποθετήστε το κάλυμμα λάμας στο περιστροφικό τραπέζι έτσι ώστε το κάλυμμα λάμας είναι στο κέντρο πάνω από την σχισμή για την είσοδο της λάμας στο περιστροφικό τραπέζι και οι δύο προεξοχές στο κάτω μέρος του καλύμματος λάμας εφαρμόζουν στην ημικυκλική τομή στην περιφέρεια του περιστροφικού τραπέζιου όπως φαίνεται στην εικόνα και μετά κλειδώστε την λαβή στην χαμηλότερη θέση σπώνχροντας εντελώς μέσα τον ανασταλτικό πείρο. (Εικ. 43)
- Πάντοτε χρησιμοποιείτε “βοηθούς εργασίας” όπως ωστικά ραβδιά και ωστικούς δοκούς όταν υπάρχει κίνδυνος τα χέρια σας και τα δάκτυλά σας να πλησιάσουν την λάμα.
- ΠΟΤΕ μην τραβήξετε το τεμάχιο εργασίας ενώ η λάμα βρίσκεται σε λειτουργία. Εάν πρέπει να τραβήξετε το τεμάχιο εργασίας πριν συμπληρώσετε ένα κόψιμο, πρώτα σβήστε το εργαλείο ενώ κρατάτε το τεμάχιο εργασίας σταθερά. Περιμένετε μέχρι η λάμα να φτάσει σε πλήρη στάση πριν τραβήξετε το τεμάχιο εργασίας. Αμέλεια να το κάνετε μπορεί να προκαλέσει επικίνδυνα οπισθολακτίσματα.
- ΠΟΤΕ μην αφαιρείτε κομμένο υλικό ενώ η λάμα κινείται.
- ΠΟΤΕ μη βάλετε τα χέρια ή τα δάκτυλά σας στην τροχιά της λάμας πριονιού.
- Πάντοτε ασφαλίστε τον φράκτη σχισίματος σταθερά, αλλιώς επικίνδυνα οπισθολακτίσματα μπορεί να συμβούν.

Βοηθοί εργασίας

Οι ωστικοί ράβδοι, οι ωστικοί δοκοί ή ο βοηθητικός φράκτης είναι τύποι “βοηθών εργασίας”. Χρησιμοποιείτε αυτά για να κάνετε ασφαλή, σίγουρα κοψίματα χωρίς την ανάγκη για τον χειριστή να φέρει σε επαφή με την λάμα οποιοδήποτε μέρος του σώματός του.

Ωστικό μπλοκ (Εικ. 44)

Χρησιμοποιείτε ένα τεμάχιο 15 χιλ από κόντρα-πλακέ.

Η λαβή πρέπει να είναι στο κέντρο του τεμαχίου κόντρα-πλακέ. Στερεώστε με κόλλα και ξυλόβιδες όπως φαίνεται. Ένα μικρό κομμάτι 10 χιλ x 9 χιλ x 30 χιλ ξύλου πρέπει πάντοτε να κολλείται σε κόντρα - πλακέ για να προστατεύει την λάμα από άμβλυση εάν ο χειριστής κόψει από λάθος την ωστική δοκό. (Ποτέ μη χρησιμοποιείτε καρφιά στην ωστική δοκό.)

Βοηθητικός φράκτης (Εικ. 45 και 46)

Κάνετε βοηθητικό φράκτη από κομμάτια κόντρα-πλακέ 10 χιλ και 15 χιλ.

Αφαιρέστε τον φράκτη σχισίματος, βίδα σύσφιξης (Α), επίπεδη ροδέλλα και τετράγωνο παξιμάδι από την θήκη του φράκτη σχισίματος και μετά προσαρμόστε και ασφαλίστε τον βοηθητικό φράκτη στην θήκη του φράκτη σχισίματος χρησιμοποιώντας ένα μπουλόνι Μ6 μακρύτερο από το Μ6 x 50, ροδέλλες και παξιμάδι.

Σχίσσιμο

ΠΡΟΣΟΧΗ:

- Όταν κόβετε επιμήκη ή μεγάλα τεμάχια εργασίας, πάντοτε παρέχετε επαρκή υποστήριξη κάτω από το τραπέζι. ΜΗΝ επιτρέψετε μία μεγάλη σανίδα να κινείται ή να μετατοπίζεται στο τραπέζι. Αυτό θα προκαλέσει την λάμα να πιαστεί και αυξάνεται η πιθανότητα οπισθολακτίματος και προσωπικού τραυματισμού. Η υποστήριξη πρέπει να έχει το ίδιο ύψος με το τραπέζι.

1. Ρυθμίστε το βάθος κοπής λίγο υψηλότερα από το πάχος του τεμαχίου εργασίας. Για να κάνετε αυτή την ρύθμιση, χαλαρώστε δύο μοχλούς και χαμηλώστε ή σηκώστε το άνω τραπέζι.
2. Τοποθετήστε τον φράκτη σχισίματος στο επιθυμητό πλάτος σχισίματος και ασφαλίστε το στη θέση του σφίγγοντας την βίδα σύσφιξης (Α). Πριν από το σχίσσιμο, βεβαιωθείτε ότι οι δύο βίδες της θήκης του φράκτη σχισίματος είναι ασφαλείς. Εάν δεν είναι αρκετά ασφαλείς ξανασφίχτε τις βίδες.
3. Ανάψτε το εργαλείο και απαλά τροφοδοτείστε το τεμάχιο εργασίας μέσα στην λάμα μαζί με τον φράκτη σχισίματος.
 - (1) Όταν το πλάτος σχισίματος είναι 40 χιλ ή πλατύτερο, χρησιμοποιείτε μία ωστική ράβδο. (Εικ. 47)
 - (2) Όταν το πλάτος σχισίματος είναι στενότερο από 40 χιλ, η ωστική ράβδος θα χτυπήσει τον άνω προφυλακτήρα της λάμας. Χρησιμοποιείτε τον βοηθητικό φράκτη και ωστικό μπλοκ. Τοποθετήστε με ασφαλεία τον βοηθητικό φράκτη που ασφαλίζεται στην θήκη του φράκτη σχισίματος στο τραπέζι. Τροφοδοτείστε το τεμάχιο εργασίας με το χέρι μέχρι η άκρη να είναι περίπου 25 χιλ από την εμπρόσθια άκρη του άνω τραπέζιου. Συνεχίστε να τροφοδοτείτε χρησιμοποιώντας την ωστική δοκό στην κορυφή του βοηθητικού φράκτη μέχρι να ολοκληρωθεί η κοπή. (Εικ. 48)

Μεταφορά εργαλείου

Βεβαιώνετε ότι το εργαλείο είναι αποσυνδεδεμένο. Ασφαλίστε την λάμα σε 0° κωνική γωνία και την περιστροφική βάση σε αριστερή λοξή γωνία πλήρως. Χαμηλώστε την λαβή εντελώς και κλειδώστε την στην χαμηλωμένη θέση σπρώχνοντας εντελώς μέσα τον ανασταλτικό πείρο. **(Εικ. 49)**

Μεταφέρετε το εργαλείο κρατώντας και τις δύο πλευρές της βάσης του εργαλείου όπως φαίνεται στην εικόνα. Εάν αφαιρέσετε τις θήκες, σάκο σκόνης, κλπ., μπορείτε να μεταφέρετε το εργαλείο πολύ ευκολότερα. **(Εικ. 50)**

ΠΡΟΣΟΧΗ:

- Πάντοτε ασφαλίστε όλα τα κινητά μέρη πριν μεταφέρετε το εργαλείο.

ΣΥΝΤΗΡΗΣΗ

ΠΡΟΣΟΧΗ:

- Πάντοτε βεβαιώνετε ότι το εργαλείο είναι σβηστό και αποσυνδεδεμένο πριν επιχειρήσετε να εκτελέσετε επιθεώρηση ή συντήρηση.

ΠΡΟΕΙΔΟΠΟΙΗΣΗ:

- Πάντοτε βεβαιώνετε ότι η λάμα είναι αιχμηρή και καθαρή για καλές και ασφαλείς κοπές.

Ρύθμιση της γωνίας κοπής

Αυτό το εργαλείο είναι προσεκτικά ρυθμισμένο και ευθυγραμμισμένο στο εργοστάσιο, αλλά σκληρή μεταχείριση μπορεί να έχει επηρεάσει την ευθυγράμμιση. Εάν το εργαλείο σας δεν είναι ευθυγραμμισμένο κατάλληλα, εκτελέστε τα ακόλουθα:

1. Λοξή γωνία

Χαλαρώστε την λαβή που ασφαλίζει την περιστροφική βάση. Γυρίστε την περιστροφική βάση έτσι ώστε ο δείκτης να δείχνει στο 0° στην λοξή κλίμακα. Σφίχτε την λαβή και χαλαρώστε τα εξάγωνα μπουλόνια που ασφαλίζουν τον φράκτη οδηγό χρησιμοποιώντας το κοίλο κλειδί. **(Εικ. 51)**
Χαμηλώστε την λαβή εντελώς και κλειδώστε την στην χαμηλωμένη θέση σπρώχνοντας εντελώς μέσα τον ανασταλτικό πείρο. Τετραγωνίστε την πλευρά της λάμας με την πρόσοψη του φράκτη οδηγού χρησιμοποιώντας ένα τριγωνικό κανόνα, δοκιμαστικό τετράγωνο κλπ. Μετά σφίχτε με ασφάλεια τα εξάγωνα μπουλόνια στον φράκτη οδηγό στην σειρά από την δεξιά πλευρά. **(Εικ. 52)**

2. Κωνική γωνία

(1) 0° Κωνική γωνία

Χαμηλώστε την λαβή εντελώς και κλειδώστε την στην χαμηλωμένη θέση σπρώχνοντας εντελώς μέσα τον ανασταλτικό πείρο. Χαλαρώστε τον μοχλό στο οπίσθιο μέρος του εργαλείου. Γυρίστε το ρυθμιστικό μπουλόνι της κωνικής γωνίας 0° στην δεξιά πλευρά της περιστροφικής βάσης δύο ή τρεις περιστροφές δεξιόστροφα για να δώσετε κλίση στη λάμα προς τα δεξιά. **(Εικ. 53)**

Προσεκτικά τετραγωνίστε την πλευρά της λάμας με την επάνω επιφάνεια της περιστροφικής βάσης χρησιμοποιώντας ένα τριγωνικό κανόνα, δοκιμαστικό τετράγωνο κλπ. γυρίζοντας το ρυθμιστικό μπουλόνι της κωνικής γωνίας 0° αριστερόστροφα. **(Εικ. 54)**

Βεβαιωθείτε ότι ο δείκτης στην περιστροφική βάση δείχνει στο 0° στην κωνική κλίμακα στον βραχίονα. Εάν δεν δείχνει στο 0°, χαλαρώστε την βίδα που ασφαλίζει τον δείκτη και ρυθμίστε τον δείκτη έτσι ώστε να δείχνει στο 0°. **(Εικ. 55)**

(2) 45° κωνική γωνία

Ρυθμίστε την κωνική γωνία 45° μόνο αφού εκτελέσετε ρύθμιση κωνικής γωνίας 0°. Για να ρυθμίσετε την αριστερή κωνική γωνία 45°, χαλαρώστε τον μοχλό και κλίνετε την λάμα τελειώς στα αριστερά. Βεβαιωθείτε ότι ο δείκτης στον βραχίονα δείχνει στο 45° στην κωνική κλίμακα στον βραχίονα. Εάν ο δείκτης δεν δείχνει στο 45°, γυρίστε το ρυθμιστικό μπουλόνι κωνικής γωνίας 45°, στην αριστερή πλευρά του βραχίονα μέχρι ο δείκτης να δείχνει στο 45°. **(Εικ. 56)**

Αντικατάσταση ψηκτρών άνθρακα (Εικ. 57 και 58)

Αφαιρείτε και ελέγχετε τις ψήκτρες άνθρακα τακτικά. Αντικαθιστάτε τις όταν έχουν φθαρεί στο σημάδι ορίου. Κρατάτε τις ψήκτρες άνθρακα καθαρές και ελεύθερες να γλιστρούν στις θήκες. Και οι δύο ψήκτρες άνθρακα πρέπει να αντικαθιστανται ταυτόχρονα. Χρησιμοποιείτε μόνο ταυτόσημες ψήκτρες άνθρακα.
Χρησιμοποιείτε ένα κατασβίδι για να αφαιρέσετε τα καπάκια των ψηκτρών άνθρακα. Βγάλτε τις φθαρμένες ψήκτρες άνθρακα, βάλτε τις καινούργιες και ασφαλίστε τα καπάκια των ψηκτρών άνθρακα.

Μετά την χρήση

- Μετά την χρήση, σφουγγίστε τα τεμαχίδια και την σκόνη που είναι κολλημένα στο εργαλείο με ένα πανί ή κάτι παρόμοιο. Κρατείστε τον προφυλακτήρα λάμας καθαρά σύμφωνα με τις οδηγίες στο προηγούμενων καλυφθέν τμήμα με τίτλο “Προφυλακτήρας λάμας”. Λιπαίνετε τα μέρη που γλιστρούν με μηχανικό έλαιο για να μην οξειδωθούν.

Για την διατήρηση της ΑΣΦΑΛΕΙΑΣ και ΑΞΙΟΠΙΣΤΙΑΣ του προϊόντος, επισκευές, οποιαδήποτε άλλη συντήρηση ή ρύθμιση πρέπει να εκτελούνται από Εξουσιοδοτημένα Κέντρα Σερβις της Μάκιτα, πάντοτε με χρήση ανταλλακτικών Μάκιτα.

ΕΞΑΡΤΗΜΑΤΑ

ΠΡΟΣΟΧΗ:

- Αυτά τα εξαρτήματα ή προσαρτήματα συνιστώνται για χρήση με το εργαλείο Μάκιτα που περιγράφηκε στις οδηγίες αυτές. Η χρήση οτιδήποτε άλλων εξαρτημάτων ή προσαρτημάτων μπορεί να προκαλέσει κίνδυνο τραυματισμού σε άτομα. Χρησιμοποιείτε τα εξαρτήματα ή προσαρτήματα μόνο για την χρήση που προορίζονται.

Εάν χρειάζεστε οποιαδήποτε βοήθεια για περισσότερες πληροφορίες σε σχέση με αυτά τα εξαρτήματα, αποτανθείτε στο τοπικό σας κέντρο εξυπηρέτησης Μάκιτα.

- Λάμες πριονιού με άκρα από ατσάλι και καρβίδιο.
- Βοηθητική πλάκα
- Σύνολο μέγγενης (οριζόντια μέγγενη)
- Κατακόρυφη μέγγενη
- Κοίλο κλειδί 13
- Ρύθμιση θήκης
- Σύνολο θήκης
- Σύνολο ράβδου θήκης
- Πλάκα ρύθμισης
- Σάκος σκόνης
- Τριγωνικός κανόνας
- Κάλυμμα λάμας (Προφυλακτικό λάμας C)
- Ωστική ράβδος
- Σύνολο κανόνα (Φράκτης σχισίματος)

ENGLISH**EC-DECLARATION OF CONFORMITY**

We declare under our sole responsibility that this product is in compliance with the following standards of standardized documents,

EN61029, EN55014, EN61000

in accordance with Council Directives, 73/23/EEC, 89/336/EEC and 98/37/EC.

Certificate of adequacy of the technical file with respect to 98/37/EC having been obtained from the following notified body:

Intertek SEMKO AB, Torshamnsgatan 43, Box 1103, SE-164 22 Kista, Sweden

ITALIANO**DICHIARAZIONE DI CONFORMITÀ
CON LE NORME DELLA COMUNITÀ EUROPEA**

Dichiariamo sotto la nostra sola responsabilità che questo prodotto è conforme agli standard di documenti standardizzati seguenti:

EN61029, EN55014, EN61000

secondo le direttive del Consiglio 73/23/CEE, 89/336/CEE e 98/37/CE.

Certificato di adeguatezza del file tecnico rispetto a 98/37/CE ottenuto dall'entità notificata seguente:

Intertek SEMKO AB, Torshamnsgatan 43, Box 1103, SE-164 22 Kista, Svezia

FRANÇAISE**DÉCLARATION DE CONFORMITÉ CE**

Nous déclarons sous notre entière responsabilité que ce produit est conforme aux normes des documents standardisés suivants,

EN61029, EN55014, EN61000

conformément aux Directives du Conseil, 73/23/CEE, 89/336/CEE et 98/37/CE.

L'attestation d'adéquation du fichier technique à la norme 98/37/CE a été obtenue auprès de l'organisme notifié suivant :

Intertek SEMKO AB, Torshamnsgatan 43, casier postal 1103, SE-164 22 Kista, Suède

NEDERLANDS**EG-VERKLARING VAN CONFORMITEIT**

Wij verklaren hierbij uitsluitend op eigen verantwoordelijkheid dat dit produkt voldoet aan de volgende normen van genormaliseerde documenten,

EN61029, EN55014, EN61000

in overeenstemming met de richtlijnen van de Raad 73/23/EEC, 89/336/EEC en 98/37/EC.

Een certificaat van adequaatheid van het technisch bestand met betrekking tot 98/37/EC werd verleend door het volgende in kennis gestelde lichaam:

Intertek SEMKO AB, Torshamnsgatan 43, Box 1103, SE-164 22 Kista, Zweden

DEUTSCH**CE-KONFORMITÄTSERKLÄRUNG**

Hiermit erklärt wir unter unserer alleinigen Verantwortung, daß dieses Produkt gemäß den Ratsdirektiven 73/23/EWG, 89/336/EWG und 98/37/EG mit den folgenden Normen von Normendokumenten übereinstimmen:

EN61029, EN55014, EN61000.

Das Zertifikat der Angemessenheit der technischen Datei im Hinblick auf 98/37/EG ist von der folgenden bekannt gegebenen Körperschaft erhalten worden:

Intertek SEMKO AB, Torshamnsgatan 43, Box 1103, SE-164 22 Kista, Sweden

ESPAÑOL**DECLARACIÓN DE CONFORMIDAD DE LA CE**

Declaramos bajo nuestra sola responsabilidad que este producto cumple con las siguientes normas de documentos normalizados,

EN61029, EN55014, EN61000

de acuerdo con las directivas comunitarias, 73/23/EEC, 89/336/EEC y 98/37/EC.

Certificado de idoneidad del archivo técnico con respecto a la normativa 98/37/EC que ha sido obtenido del siguiente organismo facultativo:

Intertek SEMKO AB, Torshamnsgatan 43, Box 1103, SE-164 22 Kista, Suecia

Yasuhiko Kanzaki CE2004



Director
Directeur
Direktor

Amministratore
Directeur
Director

MAKITA INTERNATIONAL EUROPE LTD.

Michigan Drive, Tongwell, Milton Keynes,
Bucks MK15 8JD, ENGLAND

PORTUGUÊS

DECLARAÇÃO DE CONFORMIDADE DA CE

Declaramos sob inteira responsabilidade que este produto obedece às seguintes normas de documentos normalizados,

EN61029, EN55014, EN61000

de acordo com as directivas 73/23/CEE, 89/336/CEE e 98/37/CE do Conselho.

O certificado de conformidade do ficheiro técnico respeitante à 98/37/CE foi obtido pelo seguinte organismo qualificado:

Intertek SEMKO AB, Torshamnsgatan 43, Box 1103, SE-164 22 Kista, Suécia

NORSK

EU's SAMSVARS-ERKLÆRING

Vi erklærer på eget ansvar at dette produktet er i overensstemmelse med følgende standard i de standardiserede dokumenter:

EN61029, EN55014, EN61000,

i samsvar med Råds-direktivene, 73/23/EEC, 89/336/EEC og 98/37/EC.

Samsvarssertifikat (Certificate of adequacy) for den tekniske filen med hensyn til 98/37/EC, som er opnået fra følgende meldte organ:

Intertek SEMKO AB, Torshamnsgatan 43, Box 1103, SE-164 22 Kista, Sverige

DANSK

EU-DEKLARATION OM KONFORMITET

Vi erklærer hermed på eget ansvar, at dette produkt er i overensstemmelse med de følgende standarder i de normsættende dokumenter,

EN61029, EN55014, EN61000

i overensstemmelse med Rådets Direktiver 73/23/EEC, 89/336/EEC og 98/37/EC.

Certifikat for fyldestgørende tilstrækkelighed af den tekniske fil med hensyn til 98/37/EC, som er opnået fra den følgende anmeldte organisation:

Intertek SEMKO AB, Torshamnsgatan 43, Box 1103, SE-164 22 Kista, Sverige

SUOMI

VAKUUTUS EC-VASTAAVUUDESTA

Yksinomaisesti vastuullisina ilmoitamme, että tämä tuote on seuraavien standardoitujen dokumenttien standardien mukainen,

EN61029, EN55014, EN61000

neuvoston direktiivien 73/23/EEC, 89/336/EEC ja 98/37/EC mukaisesti.

Teknisen tiedoston 98/37/EC mukainen riittävyysvakuutus saatu seuraavalta tiedoksi saaneelta elimeltä:

Intertek SEMKO AB, Torshamnsgatan 43, Box 1103, SE-164 22 Kista, Ruotsi

SVENSKA

EG-DEKLARATION OM ÖVERENSSTÄMMELSE

Under eget ansvar deklarerar vi härmed att denna produkt överensstämmer med följande standardiseringar för standardiserade dokument,

EN61029, EN55014, EN61000

i enlighet med EG-direktiven 73/23/EEC, 89/336/EEC och 98/37/EC.

Certifikat om att teknisk dokumentation uppfyller

98/37/EC har erhållits från:

Intertek SEMKO AB Torshamnsgatan 43, Box 1103, 164 22 Kista, Sverige

ΕΛΛΗΝΙΚΑ

ΔΗΛΩΣΗ ΣΥΜΜΟΡΦΩΣΗΣ ΕΚ

Δηλώνουμε υπό την μοναδική μας ευθύνη ότι αυτό το προϊόν βρίσκεται σε Συμφωνία με τα ακόλουθα πρότυπα τυποποιημένων εγγράφων,

EN61029, EN55014, EN61000

σύμφωνα με τις Οδηγίες του Συμβουλίου, 73/23/EEC, 89/336/EEC και 98/37/EC.

Πιστοποιητικό επάρκειας του τεχνικού φακέλου με αναφορά στην υπ' αρ. 98/37/EC οδηγία που έχει χορηγηθεί από τον εξής γνωστοποιημένο οργανισμό:

Intertek SEMKO AB, Torshamnsgatan 43, Box 1103, SE-164 22 Kista, Sweden

Yasuhiko Kanzaki **CE2004**

Director
Direktor
Direktör

Direktor
Johtaja
Διευθυντής

MAKITA INTERNATIONAL EUROPE LTD.

Michigan Drive, Tongwell, Milton Keynes,
Bucks MK15 8JD, ENGLAND

ENGLISH**Noise and Vibration**

The typical A-weighted noise levels are
 sound pressure level: 92 dB (A)
 sound power level: 105 dB (A)
 – Wear ear protection. –

The typical weighted root mean square acceleration value is not more than 2,5 m/s².

FRANÇAISE**Bruit et vibrations**

Les niveaux de bruit pondérés types A sont:
 niveau de pression sonore: 92 dB (A)
 niveau de puissance du son: 105 dB (A)
 – Porter des protecteurs anti-bruit. –

L'accélération pondérée ne dépasse pas 2,5 m/s².

DEUTSCH**Geräusch- und Vibrationsentwicklung**

Die typischen A-bewerteten Geräuschpegel betragen:
 Schalldruckpegel: 92 dB (A)
 Schalleistungspegel: 105 dB (A)
 – Gehörschutz tragen. –

Der gewichtete Effektivwert der Beschleunigung beträgt nicht mehr als 2,5 m/s².

ITALIANO**Rumore e vibrazione**

I livelli del rumore pesati secondo la curva A sono:
 Livello pressione sonora: 92 dB (A)
 Livello potenza sonora: 105 dB (A)
 – Indossare i paraorecchi. –

Il valore quadratico medio di accelerazione non supera i 2,5 m/s².

NEDERLANDS**Geluidsniveau en trilling**

De typische A-gewogen geluidsniveaus zijn
 geluidsdruk-niveau: 92 dB (A)
 geluidsenergie-niveau: 105 dB (A)
 – Draag oorbeschermers. –

De typische gewogen effectieve versnellingswaarde is niet meer dan 2,5 m/s².

ESPAÑOL**Ruido y vibración**

Los niveles típicos de ruido ponderados A son
 presión sonora: 92 dB (A)
 nivel de potencia sonora: 105 dB (A)
 – Póngase protectores en los oídos. –

El valor ponderado de la aceleración no sobrepasa los 2,5 m/s².

PORTUGUÊS**Ruído e vibração**

Os níveis normais de ruído A são
 nível de pressão de som: 92 dB (A)
 nível do som: 105 dB (A)
 – Utilize protetores para os ouvidos –
 O valor médio da aceleração é inferior a 2,5 m/s².

DANSK**Lyd og vibration**

De typiske A-vægtede lyd-niveauer er
 lydtryksniveau: 92 dB (A)
 lydeffektniveau: 105 dB (A)
 – Bær høreværn. –

Den vægtede effektive accelerationsværdi overstiger ikke 2,5 m/s².

SVENSKA**Buller och vibration**

De typiska A-vägdga bullernivåerna är
 ljudtrycksnivå: 92 dB (A)
 ljudeffektnivå: 105 dB (A)
 – Använd hörselskydd –

Det typiskt vägdga effektivvärdet för acceleration överstiger inte 2,5 m/s².

NORSK**Støy og vibrasjon**

De vanlige A-belastede støynivå er
 lydtrycksnivå: 92 dB (A)
 lydstyrkenivå: 105 dB (A)
 – Benytt hørselvern. –

Den vanlig belastede effektiv-verdi for akselerasjon overskrider ikke 2,5 m/s².

SUOMI**Melutaso ja värähdys**

Tyypilliset A-painotetut melutasot ovat
 äänenpainetaso: 92 dB (A)
 äänen tehotaso: 105 dB (A)
 – Käytä kuulussuojaimia. –

Tyypillinen kiihtyvyyden painotettu tehollisarvo ei ylitä 2,5 m/s².

ΕΛΛΗΝΙΚΑ**Θόρυβος και κραδασμός**

Οι τυπικές Α-μετρούμενες εντάσεις ήχου είναι
 πίεση ήχου: 92 dB (A)
 δύναμη του ήχου: 105 dB (A)
 – Φοράτε ωτοασπίδες. –

Η τυπική αξία της μετρούμενης ρίζας του μέσου τετραγώνου της επιτάχυνσης δεν ξεπερνά τα 2,5 m/s².

Makita Corporation

Anjo, Aichi Japan

884548A995